



DEPARTMENT OF REGULATORY AND ECONOMIC RESOURCES (RER)  
BOARD AND CODE ADMINISTRATION DIVISION

**NOTICE OF ACCEPTANCE (NOA)**

MIAMI-DADE COUNTY  
PRODUCT CONTROL SECTION  
11805 SW 26 Street, Room 208  
T (786) 315-2590 F (786) 315-2599  
[www.miamidade.gov/economy](http://www.miamidade.gov/economy)

Eco Window Systems, LLC  
9114 NW 106 Street  
Medley, FL 33178

**SCOPE:**

This NOA is being issued under the applicable rules and regulations governing the use of construction materials. The documentation submitted has been reviewed and accepted by Miami-Dade County RER-Product Control Section to be used in Miami-Dade County and other areas where allowed by the Authority Having Jurisdiction (AHJ).

This NOA shall not be valid after the expiration date stated below. The Miami-Dade County Product Control Section (In Miami-Dade County) and/ or the AHJ (in areas other than Miami-Dade County) reserve the right to have this product or material tested for quality assurance purposes. If this product or material fails to perform in the accepted manner, the manufacturer will incur the expense of such testing and the AHJ may immediately revoke, modify, or suspend the use of such product or material within their jurisdiction. RER reserves the right to revoke this acceptance, if it is determined by Miami-Dade County Product Control Section that this product or material fails to meet the requirements of the applicable building code.

This product is approved as described herein, and has been designed to comply with the Florida Building Code, including the High Velocity Hurricane Zone.

**DESCRIPTION: Series "Eco-Guard 100" Aluminum Single Hung Window - L.M.I.**

**APPROVAL DOCUMENT:** Drawing No. **W09-08**, titled "Eco-Guard Series-100 Alum. S.H. Wdw. (L.M.I.)", sheets 1 through 6 of 6, dated 02/12/09, with revision **E** dated 06/23/15, prepared by Al-Farooq Corporation, signed and sealed by Javad Ahmad, P.E., bearing the Miami-Dade County Product Control Revision stamp with the Notice of Acceptance number and expiration date by the Miami-Dade County Product Control Section.

**MISSILE IMPACT RATING: Large and Small Missile Impact Resistant**

**LABELING:** Each unit shall bear a permanent label with the manufacturer's name or logo, city, state, model/series, and following statement: "Miami-Dade County Product Control Approved", unless otherwise noted herein.

**RENEWAL** of this NOA shall be considered after a renewal application has been filed and there has been no change in the applicable building code negatively affecting the performance of this product.

**TERMINATION** of this NOA will occur after the expiration date or if there has been a revision or change in the materials, use, and/ or manufacture of the product or process. Misuse of this NOA as an endorsement of any product, for sales, advertising or any other purposes shall automatically terminate this NOA. Failure to comply with any section of this NOA shall be cause for termination and removal of NOA.

**ADVERTISEMENT:** The NOA number preceded by the words Miami-Dade County, Florida, and followed by the expiration date may be displayed in advertising literature. If any portion of the NOA is displayed, then it shall be done in its entirety.

**INSPECTION:** A copy of this entire NOA shall be provided to the user by the manufacturer or its distributors and shall be available for inspection at the job site at the request of the Building Official.

This NOA revises NOA No. 14-0317.02 and consists of this page 1 and evidence pages E-1 and E-2, as well as approval document mentioned above.

The submitted documentation was reviewed by **Manuel Perez, P.E.**



*MP*  
7/6/26/15

NOA No. 15-0406.12  
Expiration Date: April 08, 2019  
Approval Date: July 02, 2015  
Page 1

NOTICE OF ACCEPTANCE: EVIDENCE SUBMITTED

**A. DRAWINGS**

1. Manufacturer's die drawings and sections.  
*(Submitted under NOA No. 09-0224.07 and previous NOA No.14-0317.02)*
2. Drawing No. **W09-08**, titled "Eco-Guard Series-100 Alum. S.H. Wdw. (L.M.I.)", sheets 1 through 6 of 6, dated 02/12/09, with revision **E** dated 06/23/15, prepared by Al-Farooq Corporation, signed and sealed by Javad Ahmad, P.E.

**B. TESTS**

1. Test reports on: 1) Uniform Static Air Pressure Test, Loading per FBC, TAS 202-94  
2) Large Missile Impact Test per FBC, TAS 201-94  
3) Cyclic Wind Pressure Loading per FBC, TAS 203-94  
4) Forced Entry Test, per FBC 2411.3.2.1, and TAS 202-94  
along with marked-up drawings and installation diagram of an aluminum single hung window, prepared by Fenestration Testing Laboratory, Inc., Test Report No. **FTL-7635**, dated 12/09/14, signed and sealed by Marlin D. Brinson, P.E.  
*(Submitted under NOA No. 14-0317.02)*
2. Test reports on: 1) Air Infiltration Test, per FBC, TAS 202-94  
2) Uniform Static Air Pressure Test, Loading per FBC TAS 202-94  
3) Water Resistance Test, per FBC, TAS 202-94  
4) Forced Entry Test, per FBC 2411 3.2.1 and TAS 202-94  
along with installation diagram of a 106- $\frac{1}{2}$ " wide x 76" high ECO-Guard Series-100 aluminum single hung window, prepared by Hurricane Engineering & Testing Inc. Test Report No. **HETI-08-2166A**, dated 12/15/09, signed and sealed by Candido F. Font, P.E.  
*(Submitted under NOA No. 09-0224.07)*
3. Test reports on: 1) Large Missile Impact Test per FBC, TAS 201-94  
2) Cyclic Wind Pressure Loading per FBC, TAS 203-94  
along with installation diagram of a 106- $\frac{1}{2}$ " wide x 76" high ECO-Guard Series-100 aluminum single hung window, prepared by Hurricane Engineering & Testing Inc. Test Report No. **HETI-08-2166C**, dated 12/ 15/09, signed and sealed by Candido F. Font, P.E.  
*(Submitted under NOA No. 09-0224.07)*
4. Test reports on: 1) Air Infiltration Test, per FBC, TAS 202-94  
2) Uniform Static Air Pressure Test, Loading per FBC, TAS 202-94  
3) Water Resistance Test, per FBC, TAS 202-94  
4) Forced Entry Test, per FBC 2411 3.2.1 and TAS 202-94  
along with installation diagram of a 53- $\frac{1}{4}$ " wide x 76" high ECO-Guard Series-100 aluminum single hung window, prepared by Hurricane Engineering & Testing Inc. Test Report No. **HETI-08-2168**, dated 12/15/09, signed and sealed by Candido F. Font, P.E.  
*(Submitted under NOA No. 09-0224.07)*

  
Manuel Perez, P.E.

Product Control Examiner  
NOA No. 15-0406.12

Expiration Date: April 08, 2019  
Approval Date: July 02, 2015

NOTICE OF ACCEPTANCE: EVIDENCE SUBMITTED

**B. TESTS (CONTINUED)**

5. Test reports on: 1) Large Missile Impact Test per FBC, TAS 201-94  
2) Cyclic Wind Pressure Loading per FBC, TAS 203-94  
along with installation diagram of a 53-<sup>1</sup>/<sub>4</sub>" wide x 76-<sup>1</sup>/<sub>4</sub>" high ECO-Guard Series-100 aluminum single hung window, prepared by Hurricane Engineering & Testing Inc. Test Report No. **HETI-08-2170**, dated 12/15/09, signed and sealed by Candido F. Font, P.E. *(Submitted under NOA No. 09-0224.07)*

**C. CALCULATIONS**

1. Anchor verification calculations and structural analysis, complying with **FBC 5<sup>th</sup> Edition (2014)**, dated 03/27/15 and 06/23/15, prepared by Al-Farooq Corporation, signed and sealed by Javad Ahmad, P.E.
2. Glazing complies with **ASTM E1300-09**

**D. QUALITY ASSURANCE**

1. Miami-Dade Department of Regulatory and Economic Resources (RER)

**E. MATERIAL CERTIFICATIONS**

1. Notice of Acceptance No. **14-0916.10** issued to **Kuraray America, Inc.** for their "**Kuraray Butacite® PVB Glass Interlayer**" dated 04/25/15, expiring on 12/11/16.

**F. STATEMENTS**

1. Statement letter of conformance, complying with **FBC-5<sup>th</sup> Edition (2014)**, and of no financial interest, dated March 17, 2015, issued by Al-Farooq Corporation, signed and sealed by Javad Ahmad, P.E.
2. Laboratory compliance letters for Test Report No. **FTL-7635**, issued by Fenestration Testing Laboratory, Inc., dated 12/09/14, signed and sealed by Marlin D. Brinson, P.E. *(Submitted under previous NOA No. 14-0317.02)*
3. Proposal issued by the Product Control Section, dated 03/25/13, signed by Jaime Gascon, P.E., Product Control Section Supervisor. *(Submitted under previous NOA No. 14-0317.02)*
4. Laboratory compliance letters for Test Reports No. **HETI-08-2166A**, **HETI-08-2166C**, **HETI-08-2168** and **HETI-08-2170**, all issued by Hurricane Engineering and Testing, Inc., dated 12/29/10, signed and sealed by Candido F. Font, P.E. *(Submitted under NOA No. 09-0224.07)*

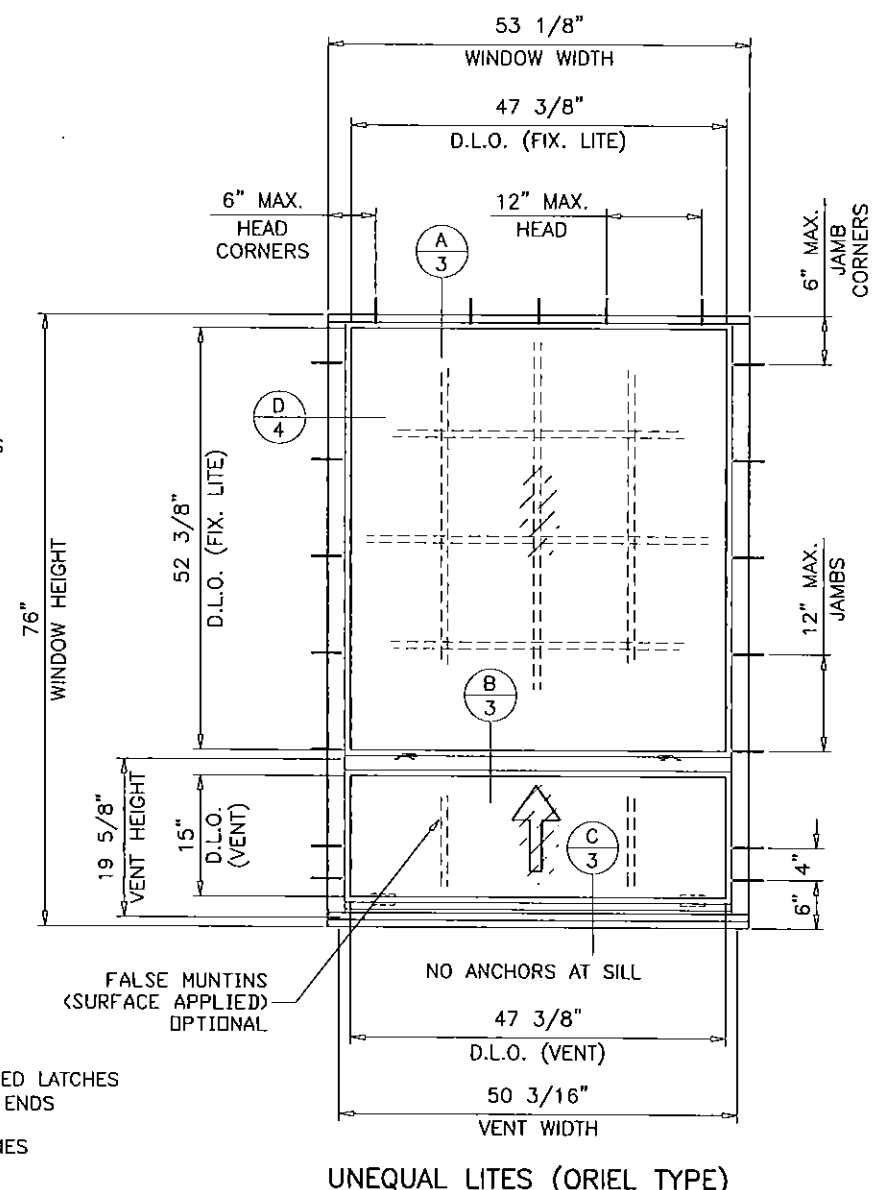
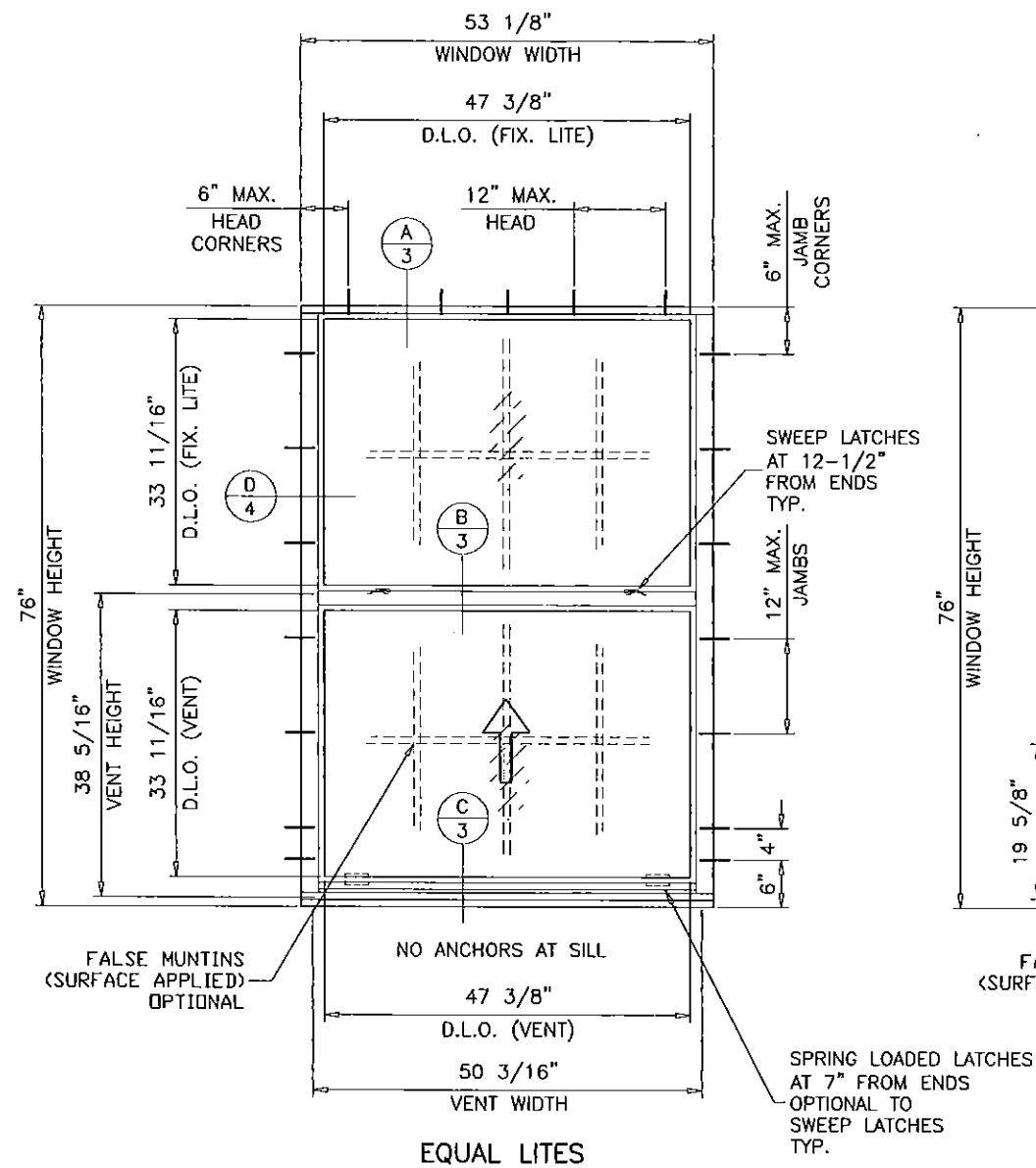
**G. OTHERS**

1. Notice of Acceptance No. **14-0317.02**, issued to Eco Window Systems, LLC for their Series "Eco-Guard 100" Aluminum Single Hung Window - L.M.I., approved on 04/10/14 and expiring on 04/08/19.



Manuel Perez, P.E.  
Product Control Examiner  
NOA No. 15-0406.12

Expiration Date: April 08, 2019  
Approval Date: July 02, 2015



TYPICAL ELEVATIONS  
TESTED UNITS

**ECO-GUARD SERIES-100  
ALUMINUM SINGLE HUNG WINDOW**

DESIGN LOAD RATINGS FOR THESE WINDOWS TO BE AS PER CHARTS SHOWN ON SHEETS 2.

APPROVAL APPLIES TO SINGLE UNITS OR SIDE BY SIDE COMBINATIONS OF S.H./S.H. OR SINGLE HUNG WITH OTHER WINDOW TYPES IN MODULES OF TWO OR MORE WINDOWS USING MIAMI-DADE COUNTY APPROVED MULLIONS IN BETWEEN. LOWER DESIGN PRESSURE FROM WINDOWS OR MULLION APPROVAL WILL APPLY TO ENTIRE SYSTEM.

THIS PRODUCT HAS BEEN DESIGNED AND TESTED TO COMPLY WITH THE REQUIREMENTS OF THE FLORIDA BUILDING CODE INCLUDING HIGH VELOCITY HURRICANE ZONE (HVHZ).

WOOD BUCKS BY OTHERS, MUST BE ANCHORED PROPERLY TO TRANSFER LOADS TO THE STRUCTURE.

ANCHORS SHALL BE AS LISTED, SPACED AS SHOWN ON DETAILS, ANCHORS EMBEDMENT TO BASE MATERIAL SHALL BE BEYOND WALL DRESSING OR STUCCO.

ANCHORING OR LOADING CONDITIONS NOT SHOWN IN THESE DETAILS ARE NOT PART OF THIS APPROVAL.

A LOAD DURATION INCREASE IS USED IN DESIGN OF ANCHORS INTO WOOD ONLY.

ALL SHIMS TO BE HIGH IMPACT, NON-METALLIC AND NON-COMPRESSIBLE.

MATERIALS INCLUDING BUT NOT LIMITED TO STEEL/METAL SCREWS, THAT COME INTO CONTACT WITH OTHER DISSIMILAR MATERIALS SHALL MEET THE REQUIREMENTS OF THE FLORIDA BUILDING CODE.

THESE WINDOWS ARE RATED FOR LARGE & SMALL MISSILE IMPACT. SHUTTERS ARE NOT REQUIRED.

PRODUCT REVISED  
as complying with the Florida  
Building Code  
Acceptance No. **15-0406.12**  
Expiration Date **04/08/2019**  
By *Manuel Parg*  
Miami Dade Product Control

Engr: JAVAD AHMAD  
CIVIL  
FLA. PE # 70592  
C.A.N. 3538  
*JUN 23 2015*



**AL-FAROOQ CORPORATION**  
ENGINEERS & PRODUCT DEVELOPMENT  
1235 S.W. 87 AVE  
MIAMI, FLORIDA 33174  
TEL. (305) 264-8100 FAX (305) 262-6978  
COMP-ANL\W09-08ECCO

ECO-GUARD SERIES-100 ALUM S.H. WDW. (L.M.I.)  
**ECO WINDOW SYSTEMS, LLC.**  
9114 N.W. 106 STREET  
MEDLEY, FL. 33178  
TEL. (305) 885-5299 FAX (305) 885-5902

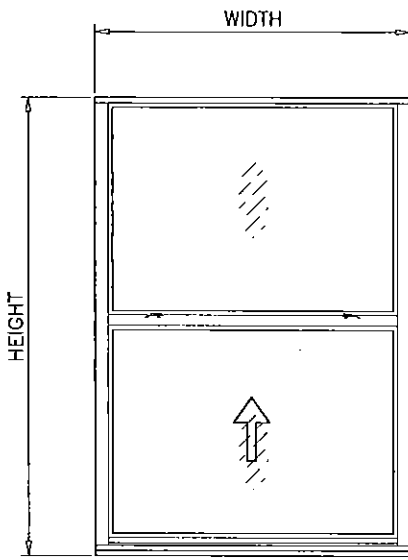
no.	date	by	description
A	02.15.12		UPDATED TO 2010 FBC
B	01.11.13		MANUF. ADDRESS REV.
C	02.06.14		GLASS & LATCH OPTION ADDED
D	03.18.15		UPDATED TO 2014 FBC
E	06.23.15		REV. PER RER COMMENTS

date: 02-12-09  
scale: 1/2"=1'-0"  
dr. by: HAMID  
chk. by:

drawing no.  
**W09-08**

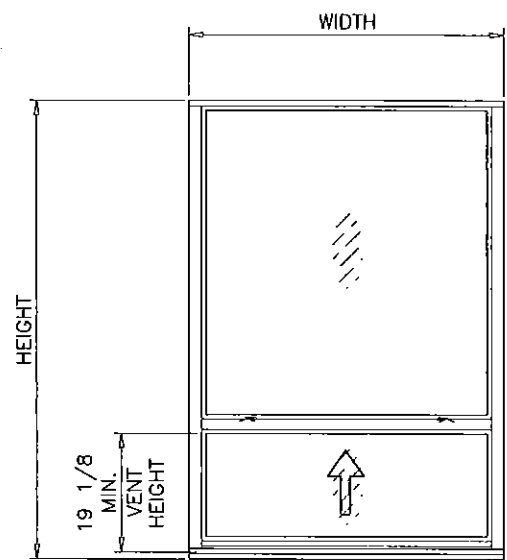
sheet 1 of 6

EQUAL LITES WINDOWS			
DESIGN LOAD CAPACITY - PSF			
FLANGE DIMS.		GLASS TYPES 'A', 'B' & 'C'	
WIDTH	HEIGHT	EXT.(+)	INT.(-)
19-1/8"	26" (3)	75.0	90.0
24"		75.0	90.0
26-1/2"		75.0	90.0
32"		75.0	90.0
37"		75.0	90.0
40"		75.0	90.0
48"	75.0	90.0	
53-1/8"	75.0	90.0	90.0
19-1/8"	38-3/8" (4)	75.0	90.0
24"		75.0	90.0
26-1/2"		75.0	90.0
32"		75.0	90.0
37"		75.0	90.0
40"		75.0	90.0
48"	75.0	90.0	
53-1/8"	75.0	90.0	90.0
19-1/8"	50-5/8" (5)	75.0	90.0
24"		75.0	90.0
26-1/2"		75.0	90.0
32"		75.0	90.0
37"		75.0	90.0
40"		75.0	90.0
48"	75.0	90.0	
53-1/8"	75.0	90.0	90.0
19-1/8"	63" (6)	75.0	90.0
24"		75.0	90.0
26-1/2"		75.0	90.0
32"		75.0	90.0
37"		75.0	90.0
40"		75.0	90.0
48"	75.0	90.0	
53-1/8"	75.0	90.0	90.0
19-1/8"	76" (7)	75.0	90.0
24"		75.0	90.0
26-1/2"		75.0	90.0
32"		75.0	90.0
37"		75.0	90.0
40"		75.0	90.0
48"	75.0	90.0	
53-1/8"	75.0	90.0	90.0



EQUAL LITES

UNEQUAL LITES WINDOWS						
DESIGN LOAD CAPACITY - PSF						
FLANGE DIMS.		GLASS TYPE 'A'		GLASS TYPES 'B' & 'C'		
WIDTH	HEIGHT	EXT.(+)	INT.(-)	EXT.(+)	INT.(-)	
19-1/8"	50-5/8" (5)	75.0	90.0	75.0	90.0	
24"		75.0	90.0	75.0	90.0	
26-1/2"		75.0	90.0	75.0	90.0	
32"		75.0	90.0	75.0	90.0	
37"		75.0	90.0	75.0	90.0	
40"		75.0	90.0	75.0	90.0	
48"	75.0	90.0	75.0	90.0		
53-1/8"	75.0	90.0	75.0	90.0	90.0	
19-1/8"	63" (6)	75.0	90.0	75.0	90.0	
24"		75.0	90.0	75.0	90.0	
26-1/2"		75.0	90.0	75.0	90.0	
32"		75.0	90.0	75.0	90.0	
37"		75.0	90.0	75.0	90.0	
40"		75.0	90.0	75.0	90.0	
48"	-	-	-	75.0	90.0	
53-1/8"	-	-	-	75.0	90.0	
19-1/8"	76" (7)	75.0	90.0	75.0	90.0	
24"		75.0	90.0	75.0	90.0	
26-1/2"		75.0	90.0	75.0	90.0	
32"		75.0	90.0	75.0	90.0	
37"		-	-	-	75.0	90.0
40"		-	-	-	75.0	90.0
48"	-	-	-	75.0	90.0	
53-1/8"	-	-	-	75.0	90.0	

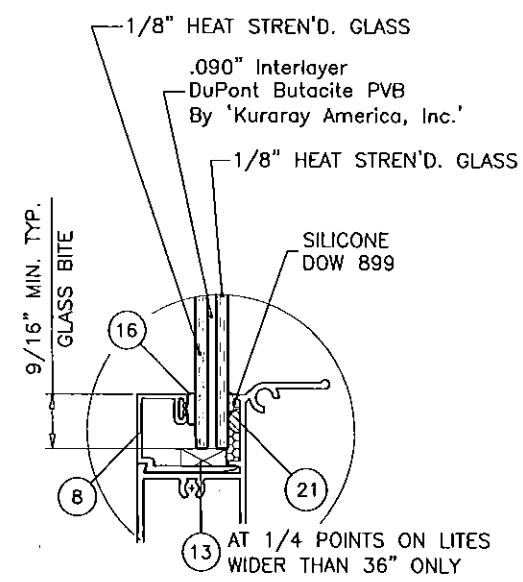


UNEQUAL LITES (ORIEL TYPE)

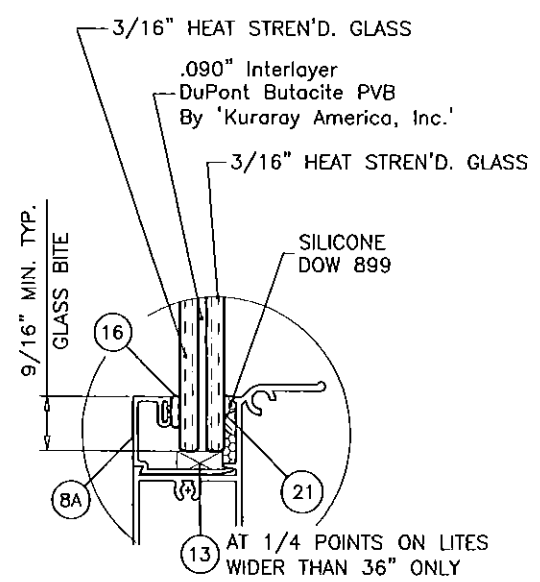
\* NO. IN PARENTHESIS INDICATE NO. OF ANCHORS PER JAMB.

TO QUALIFY FOR SMALL MISSILE IMPACT RATING EXTERIOR PLY OF GLASS TYPE 'C' MUST BE TEMPERED.

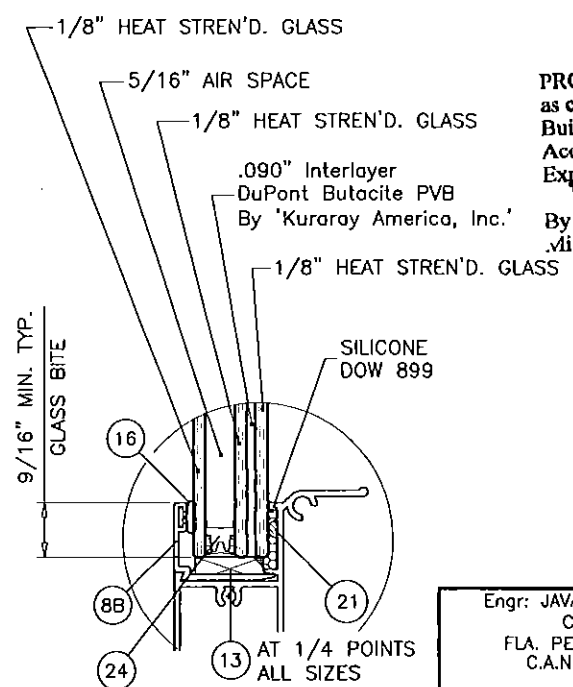
\* NO. IN PARENTHESIS INDICATE NO. OF ANCHORS PER JAMB.



GLASS TYPE 'A'



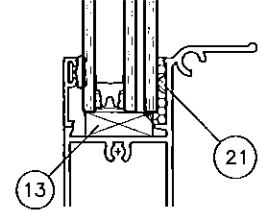
GLASS TYPE 'B'



GLASS TYPE 'C'

GLAZING OPTIONS

PRODUCT REVISED as complying with the Florida Building Code  
 Acceptance No. 15-0406.12  
 Expiration Date 04/08/2019  
 By Manuel Perez  
 Miami Dade Product Control



SETTING BLOCKS AT LAM. GLASS AND INSUL. LAM. GLASS NOTCH GLAZING BEAD LEG TO CLEAR BLOCKS

Engr: JAVAD AHMAD  
 CIVIL  
 FLA. PE # 70592  
 C.A.N. 3538  
 JUN 23 2015

NOTE: GLASS CAPACITIES ON THIS SHEET ARE BASED ON ASTM E1300-09 (3 SEC. GUSTS) AND FLORIDA BUILDING COMMISSION DECLARATORY STATEMENT DCA05-DEC-219

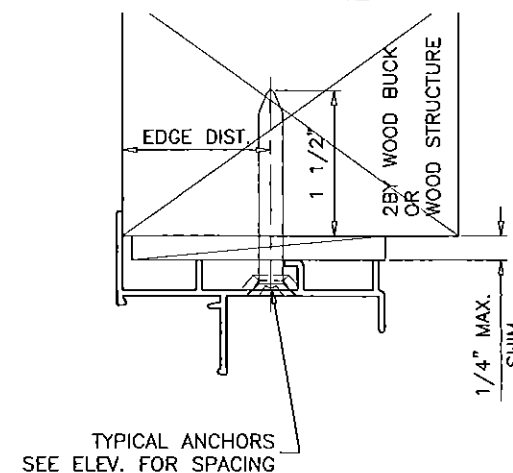
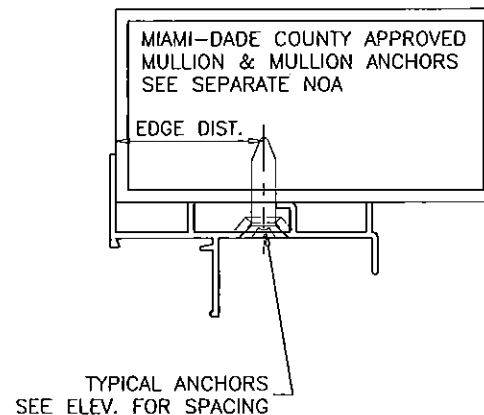
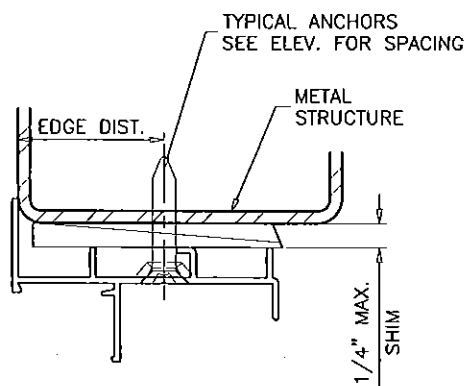
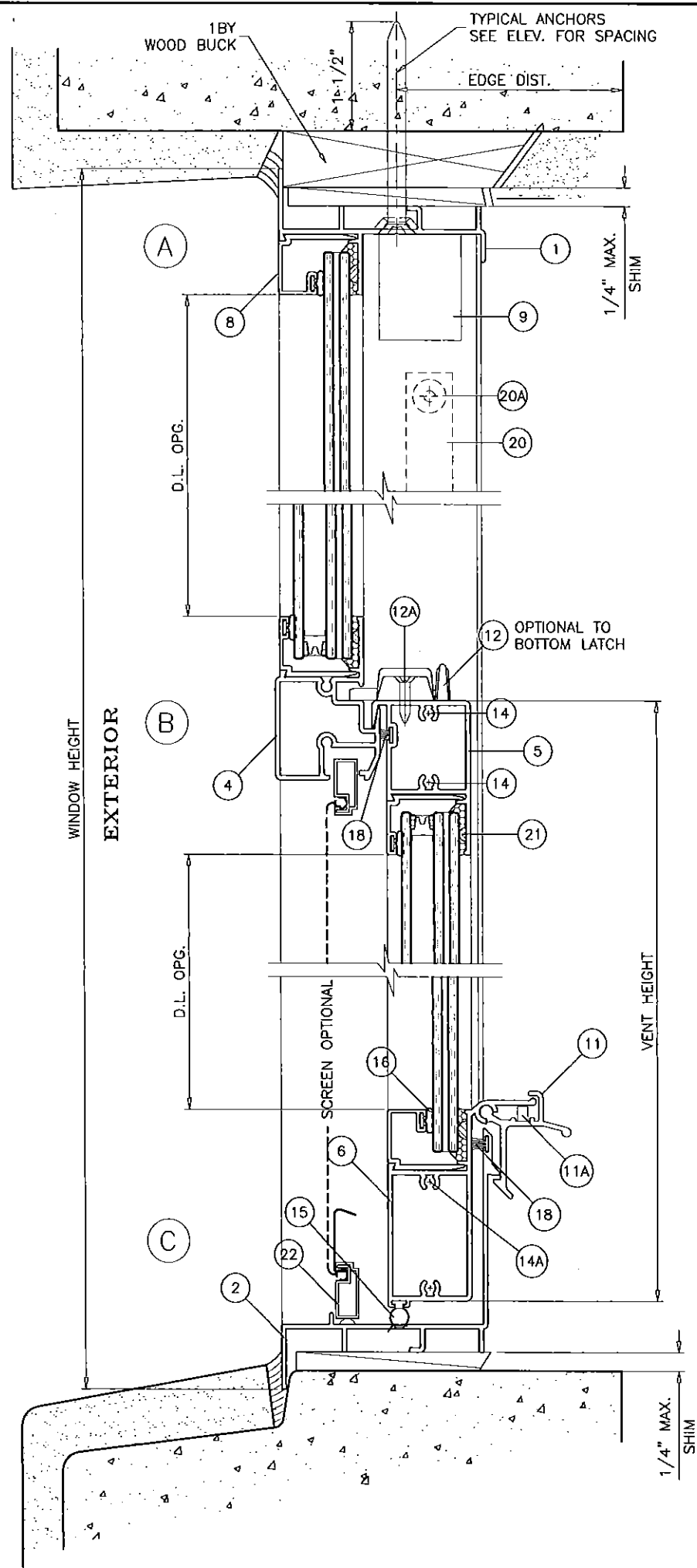
**af c**  
**AL-FAROOQ CORPORATION**  
 ENGINEERS & PRODUCT DEVELOPMENT  
 1235 S.W. 87 AVE  
 MIAMI, FLORIDA 33174  
 TEL. (305) 264-8100 FAX. (305) 262-6978  
 COMP-ANL W09-08ECC

ECO-GUARD SERIES-100 ALUM S.H. WDW. (L.M.I.)  
**ECO WINDOW SYSTEMS, LLC.**  
 9114 N.W. 106 STREET  
 MEDLEY, FL. 33178  
 TEL. (305) 885-5299 FAX (305) 885-5902

no.	date	description
A	02.15.12	NO CHANGE THIS SHEET
B	01.11.13	MANUF. ADDRESS REV.
C	02.06.14	GLASS & LATCH OPTION ADDED
D	03.18.15	UPDATED TO 2014 FBC
E	06.23.15	REV. PER PER COMMENTS

date: 02-12-09  
 scale: 1/2" = 1"  
 dr. by: HAMID  
 chk. by:

drawing no.  
**W09-08**  
 sheet 2 of 6



WOOD BUCKS AND METAL STRUCTURE NOT BY ECO WDW. MUST SUSTAIN LOADS IMPOSED BY GLAZING SYSTEM AND TRANSFER THEM TO THE BUILDING STRUCTURE.

**TYPICAL ANCHORS:** SEE ELEV. FOR SPACING  
**1/4" DIA. ULTRACON BY 'ELCO'** ( $F_u=177$  KSI,  $F_y=155$  KSI)  
 INTO 2BY WOOD BUCKS OR WOOD STRUCTURES  
 1-1/2" MIN. PENETRATION INTO WOOD (HEAD/JAMBS)  
 THRU 1BY BUCKS INTO CONC. OR MASONRY  
 1-1/4" MIN. EMBED INTO CONCRETE (HEAD)  
 1-1/4" MIN. EMBED INTO CONC. OR MASONRY (JAMBS)  
 DIRECTLY INTO CONC. OR MASONRY  
 1-1/2" MIN. EMBED INTO CONCRETE (HEAD)  
 1-1/4" MIN. EMBED INTO CONC. OR MASONRY (JAMBS)

**#14 SMS OR SELF DRILLING SCREWS** (GRADE 2 CRS)  
 INTO MIAMI-DADE COUNTY APPROVED MULLIONS (MIN. THK. = 1/8")  
 INTO METAL STRUCTURES  
 STEEL : 1/8" GA. MIN. ( $F_y = 36$  KSI MIN.)  
 ALUMINUM : 1/8" THK. MIN. (6063-T5 MIN.)  
 (STEEL IN CONTACT WITH ALUMINUM TO BE PLATED OR PAINTED)

**TYPICAL EDGE DISTANCE**  
 INTO CONCRETE AND MASONRY = 2-1/2" MIN.  
 INTO WOOD STRUCTURE = 1" MIN.  
 INTO METAL STRUCTURE = 3/4" MIN.

WOOD AT HEAD, SILL OR JAMBS SG = 0.55 MIN.  
 CONCRETE AT HEAD, SILL OR JAMBS  $f'_c = 3000$  PSI MIN.  
 C-90 HOLLOW/FILLED NORMAL WEIGHT CMU AT JAMBS  $f'_m = 2000$  PSI MIN.

PRODUCT REVISED  
 as complying with the Florida  
 Building Code  
 Acceptance No. **15-0406.12**  
 Expiration Date **08/08/2019**  
 By *Manuel Perez*  
 Miami Dade Product Control

Engr: JAVAD AHMAD  
 CIVIL  
 FLA. PE # 70592  
 C.A.N. 3538  
*JUN 23 2015*

**SEALANT:**  
 ALL JOINTS AND FRAME CONNECTIONS SEALED WITH JOINT SEALER.

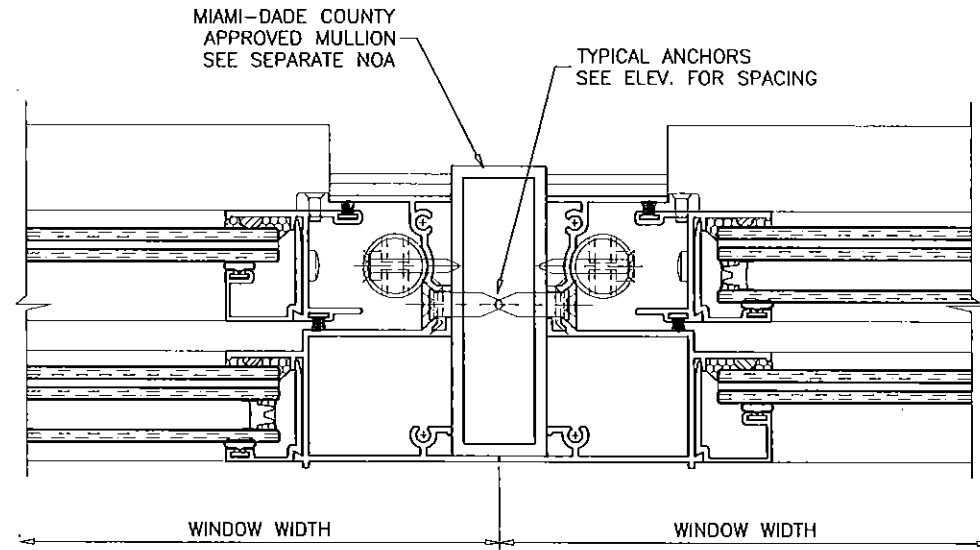
**AL-FAROOQ CORPORATION**  
 ENGINEERS & PRODUCT DEVELOPMENT  
 1235 S.W. 87 AVE  
 MIAMI, FLORIDA 33174  
 TEL. (305) 264-8100 FAX. (305) 262-6978  
 COMP-ANL W09-08ECO

ECO-GUARD SERIES-100 ALUM S.H. WDW. (L.M.I.)  
**ECO WINDOW SYSTEMS, LLC.**  
 9114 N.W. 106 STREET  
 MEDLEY, FL. 33178  
 TEL. (305) 885-5299 FAX (305) 885-5902

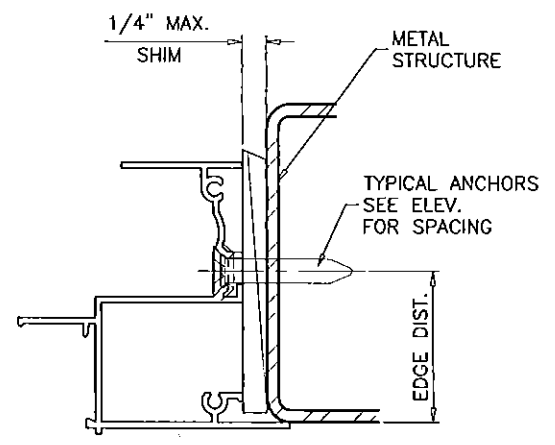
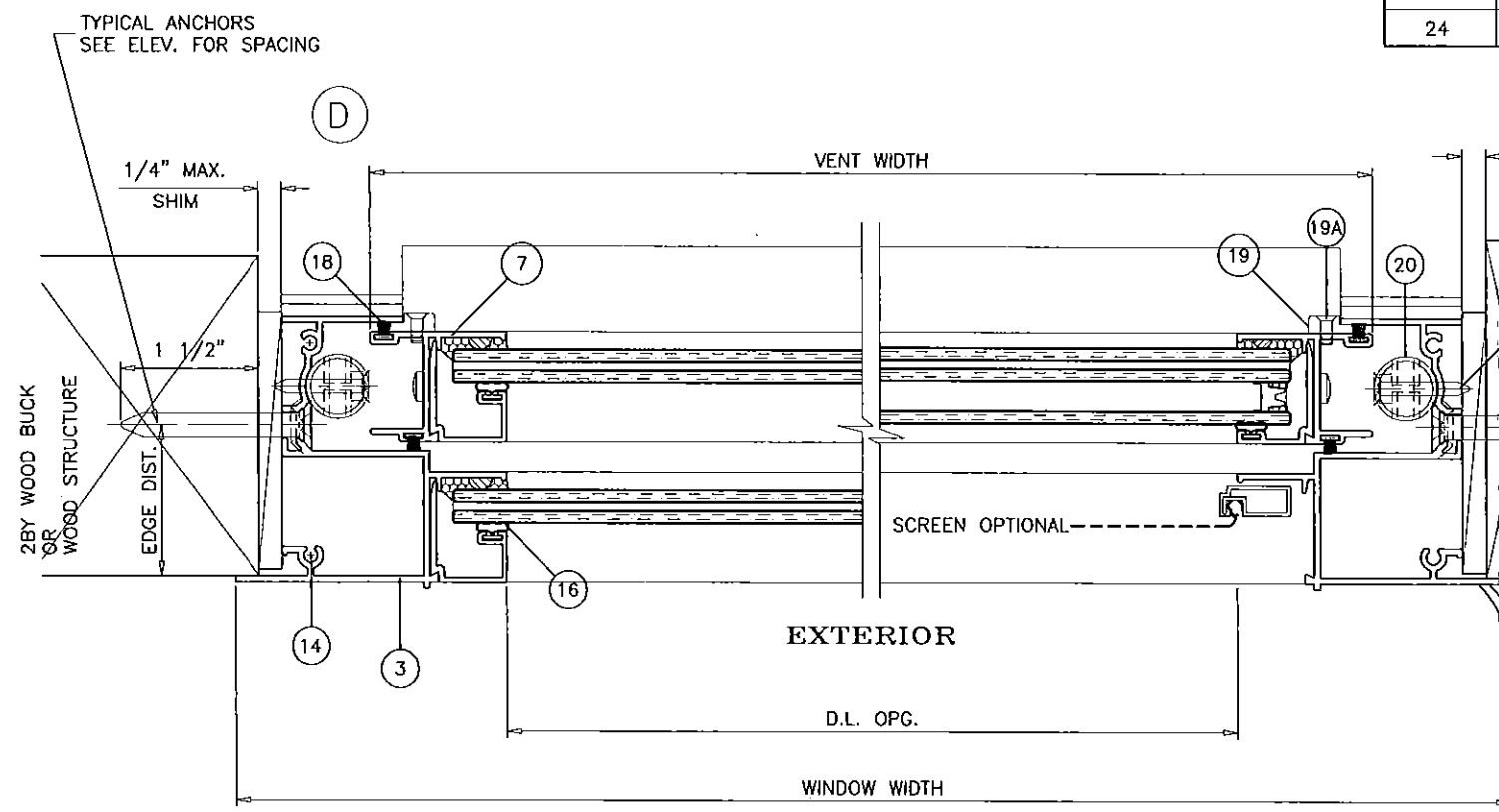
revisions:

no	date	by	description
A	02.15.12		NO CHANGE THIS SHEET
B	01.11.13		MANUF. ADDRESS REV.
C	02.06.14		GLASS & LATCH OPTION ADDED
D	03.18.15		UPDATED TO 2014 FBC
E	06.23.15		REV. PER RER COMMENTS

date: 02-12-09  
 scale: 1/2" = 1"  
 dr. by: HAMID  
 chk. by:  
 drawing no. **W09-08**  
 sheet 3 of 6



ITEM #	PART #	REQD.	DESCRIPTION	MATERIAL	MANF./SUPPLIER/REMARKS
1	FY101	1	FRAME HEAD	6063-T6	-
2	FY115	1	FRAME SILL	6063-T6	-
3	FY103	2	FRAME JAMB	6063-T6	-
4	FY104	1	FIXED MTG. RAIL	6063-T6	-
5	FY105	1	VENT TOP RAIL	6063-T6	-
6	FY114	1	VENT BOTTOM RAIL	6063-T6	-
7	FY107	2	VENT SIDE RAIL	6063-T6	-
8	FY108	AS RQD.	GLAZING BEAD (5/16" LAM. GLASS)	6063-T6	-
8A	FY109	AS RQD.	GLAZING BEAD (7/16" LAM. GLASS)	6063-T6	-
8B	FY110	AS RQD.	GLAZING BEAD (INSUL. LAM. GLASS)	6063-T6	-
9	FY116	2/VENT	SASH STOP	6063-T5	-
11	FY113	2/VENT	SPRING LOADED LATCH, AT 7" FROM ENDS	6063-T6	-
11A	-	1/ LATCH	LATCH SPRING	ST. STEEL	-
12	SL203P	2/VENT	SWEEP LATCH, AT 12-1/2" FROM ENDS	ZAMAK	SULLIVAN & ASSOC.
12A	#8 X 5/8"	2/ LATCH	LATCH INST. SCREWS	ST. STEEL	FH SMS
13	-	AS REQD.	SETTING BLOCK	EPDM	DUROMETER 80±5 SHORE A
14	#8 X 1"	AS REQD.	FRAME & VENT ASSEMBLY SCREWS	CRS	PH SMS
14A	#8 X 3/8"	2/ VENT	BOTTOM RAIL ASSEMBLY SCREWS	CRS	PH SMS
15	E207	AS REQD.	BOTTOM RAIL SEAL - SERIES 101	NEOPRENE	ULTRAFAB
16	E203	AS REQD.	GLAZING BEAD BULB	SANTOPRENE	ULTRAFAB
18	W23181	AS REQD.	FIN SEAL W'STRIPPING	-	ULTRAFAB
19	FY117	4/ VENT	SASH GUIDE	CELCON	M&M PLASTICS
19A	#6 X 3/8"	1/ GUIDE	SASH GUIDE INST. SCREW	CRS	OH SMS TYPE B
20	F210	2/VENT	SASH BALANCE	-	SUPERBOOST BY BSI
20A	#8 X 5/8"	1/ BALANCE	BALANCE INST. SCREW	-	P FH SMS
21	-	AS REQD.	GLASS SPACER	SILICONE	FRANK LOWE
22	-	1	5/16" BOX SCREEN	-	OPTIONAL
23	FY120	-	FLUSH FRAME ADAPTER	6063-T6	OPTIONAL
24	-	-	INSUL. GLASS EDGE SPACER	ST. STEEL	CARDINAL XL



PRODUCT REVISED  
 as complying with the Florida  
 Building Code 15-0406.12  
 Acceptance No. 2410812019  
 Expiration Date 04/08/2019  
 By *Manuel Perez*  
 Miami Dade Product Control

Engr: JAVAD AHMAD  
 CIVIL  
 FLA. PE # 70592  
 C.A.N. 3538  
*JUN 23 2015*

**afC**  
**AL-FAROOQ CORPORATION**  
 ENGINEERS & PRODUCT DEVELOPMENT  
 1235 S.W. 87 AVE  
 MIAMI, FLORIDA 33174  
 TEL. (305) 264-8100 FAX. (305) 262-6978  
 COMP-ANL\W09-08ECO

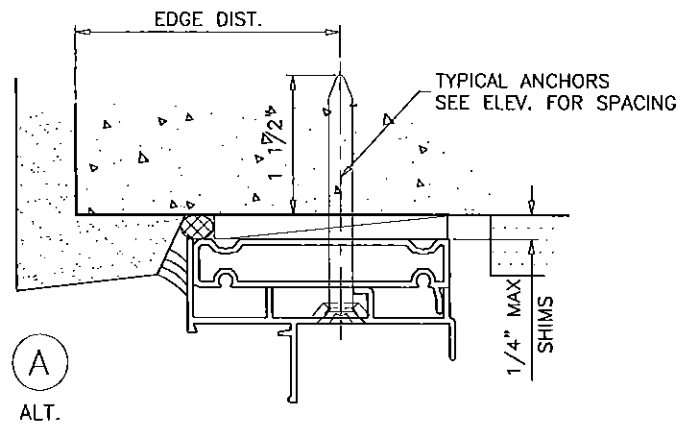
ECO-GUARD SERIES-100 ALUM S.H. WDW. (L.M.I.)  
**ECO WINDOW SYSTEMS, LLC.**  
 9114 N.W. 106 STREET  
 MEDLEY, FL. 33178  
 TEL. (305) 885-5299 FAX (305) 885-5902

NO	DATE	DESCRIPTION
A	02.15.12	NO CHANGE THIS SHEET
B	01.11.13	MANUF. ADDRESS REV.
C	02.06.14	GLASS & LATCH OPTION ADDED
D	03.18.15	UPDATED TO 2014 FBC
E	06.23.15	REV. PER PER COMMENTS

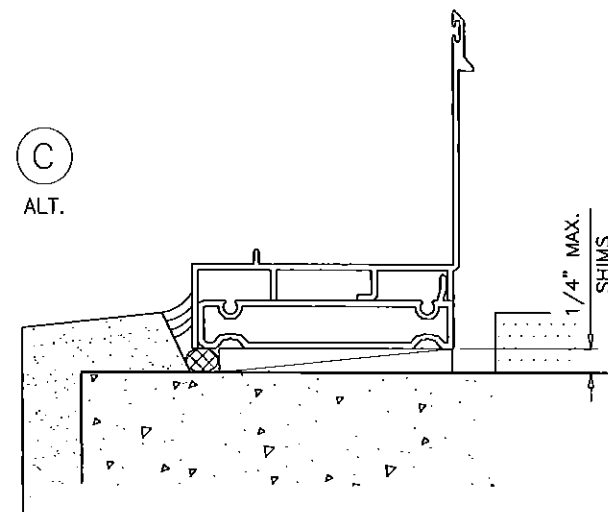
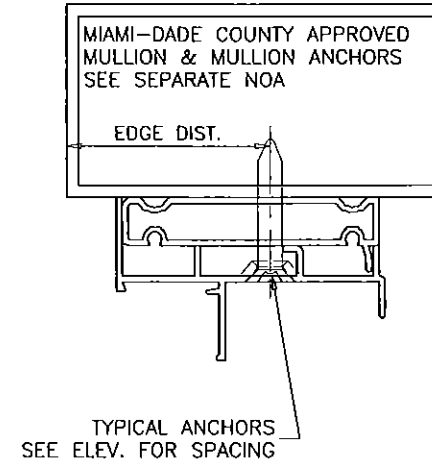
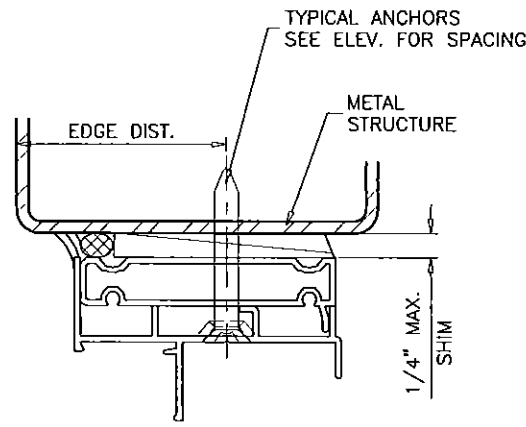
date: 02-12-09  
 scale: 1/2" = 1"  
 dr. by: HAMID  
 chk. by:

drawing no.  
**W09-08**

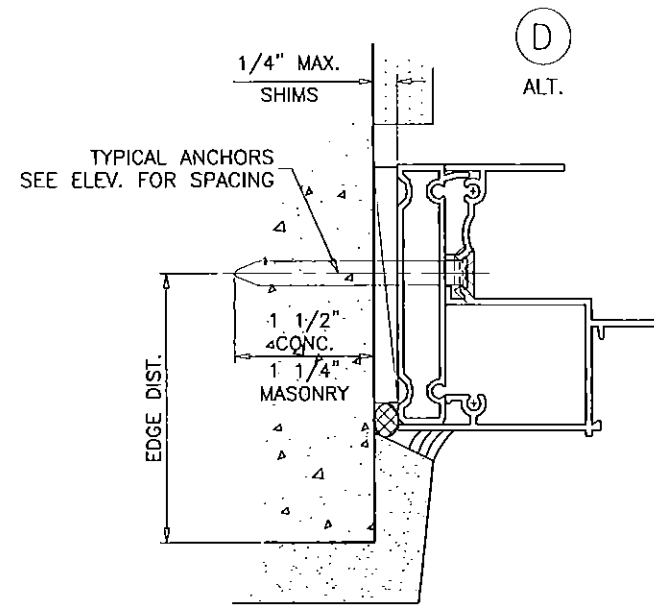
sheet 4 of 6



(A)  
ALT.



(C)  
ALT.



INSTALLATION DETAILS WITH FLUSH FRAME ADAPTER

PRODUCT REVISED  
as complying with the Florida  
Building Code  
Acceptance No. **15-0406.12**  
Expiration Date **04/08/2019**  
By *Manuel Lopez*  
Miami Dade Product Control

Engr: JAVAD AHMAD  
CIVIL  
FLA. PE # 70592  
C.A.N. 3538

*JAVAD AHMAD*  
JUN 23 2015

**af c**  
**AL-FAROOQ CORPORATION**  
ENGINEERS & PRODUCT DEVELOPMENT  
1235 S.W. 87 AVE  
MIAMI, FLORIDA 33174  
TEL. (305) 264-8100 FAX. (305) 262-6978  
COMP-ANL W09-08ECO

ECO-GUARD SERIES-100 ALUM S.H. WDW. (L.M.I.)  
**ECO WINDOW SYSTEMS, LLC.**  
9114 N.W. 106 STREET  
MEDLEY, FL. 33178  
TEL. (305) 885-5299 FAX (305) 885-5902

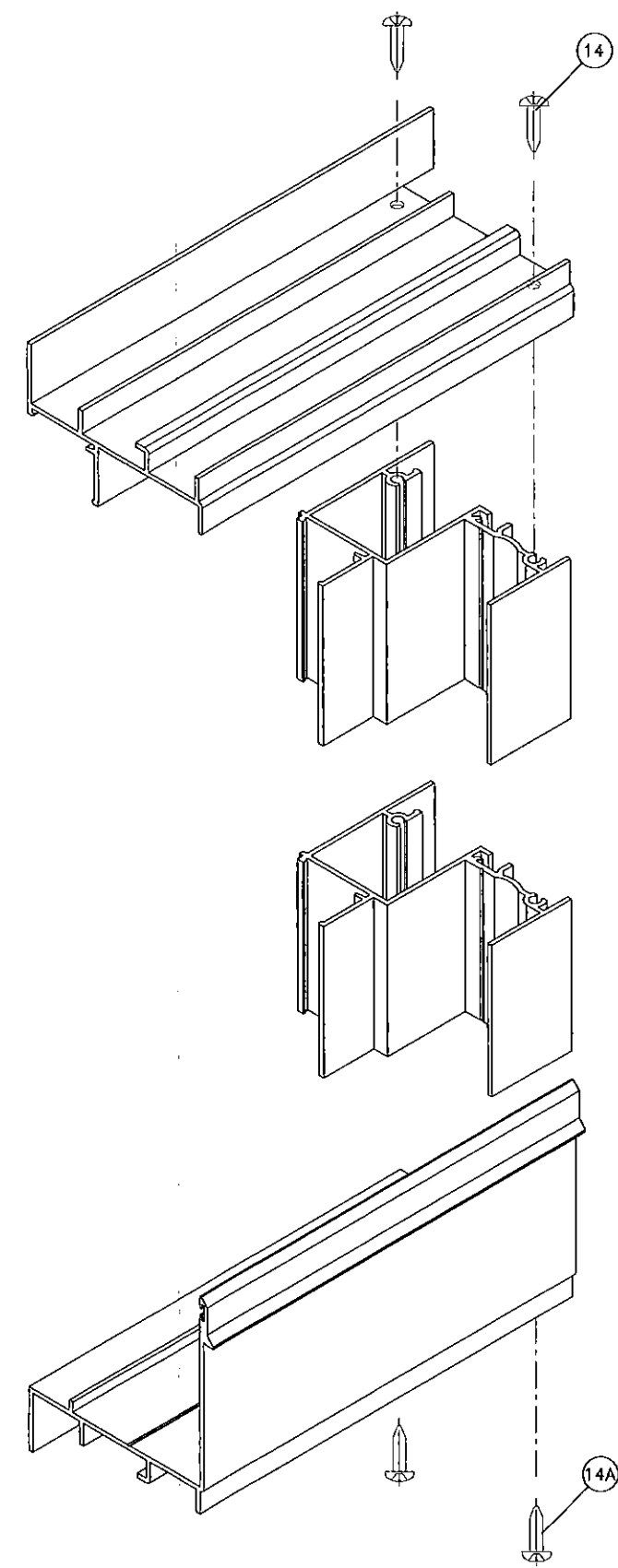
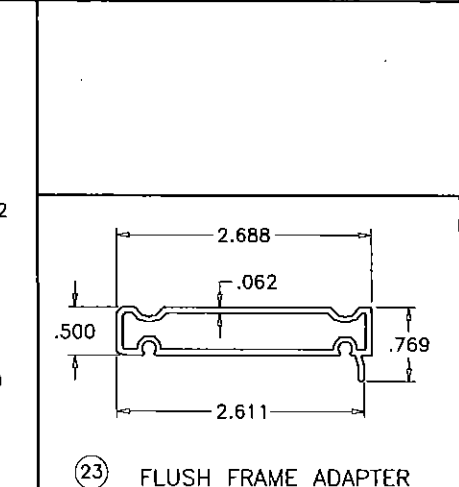
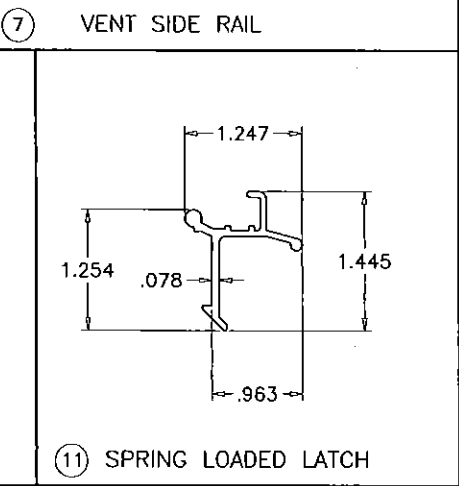
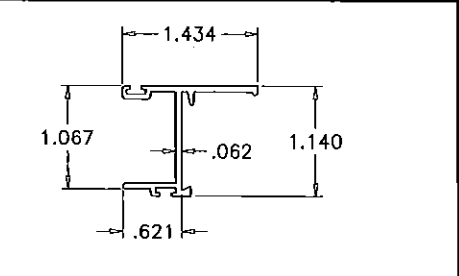
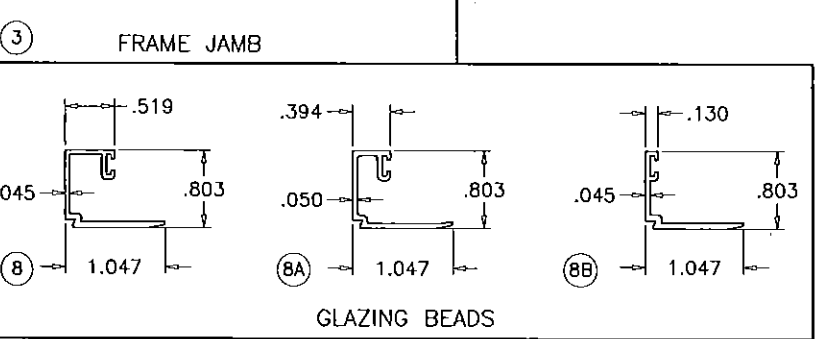
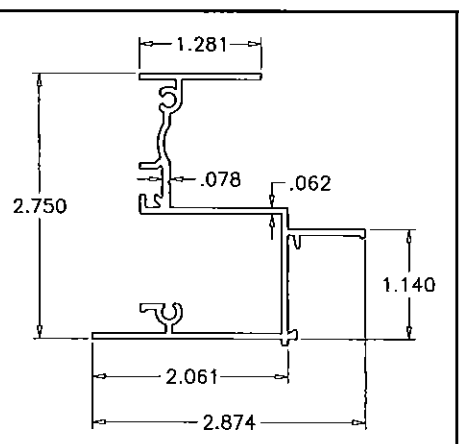
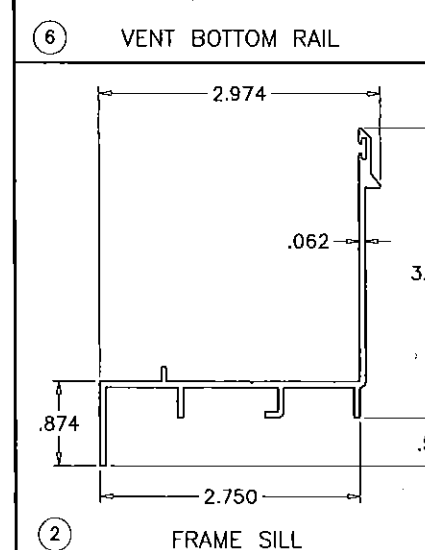
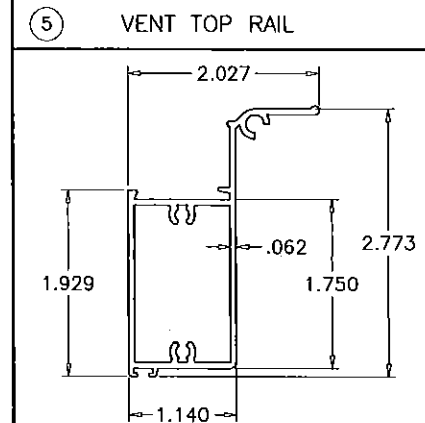
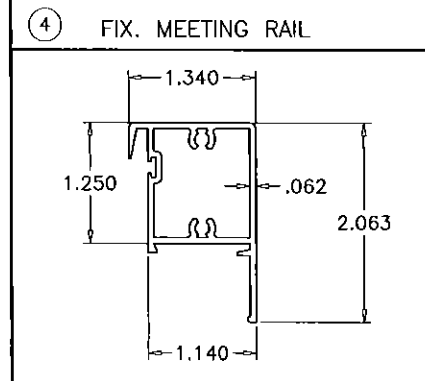
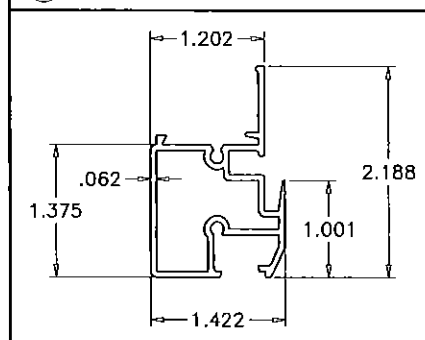
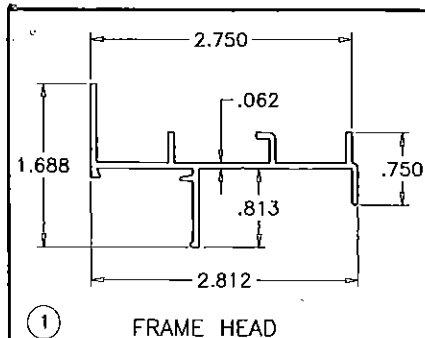
no	date	by	description
A	02.15.12		NO CHANGE THIS SHEET
B	01.11.13		MANUF. ADDRESS REV.
C	02.06.14		NO CHANGE THIS SHEET
D	03.18.15		UPDATED TO 2014 FBC
E	06.23.15		NO CHANGE THIS SHEET

date: 02-12-09  
scale: 1/2" = 1"  
dr. by: HAMID  
chk. by:

drawing no.  
**W09-08**

sheet 5 of 6

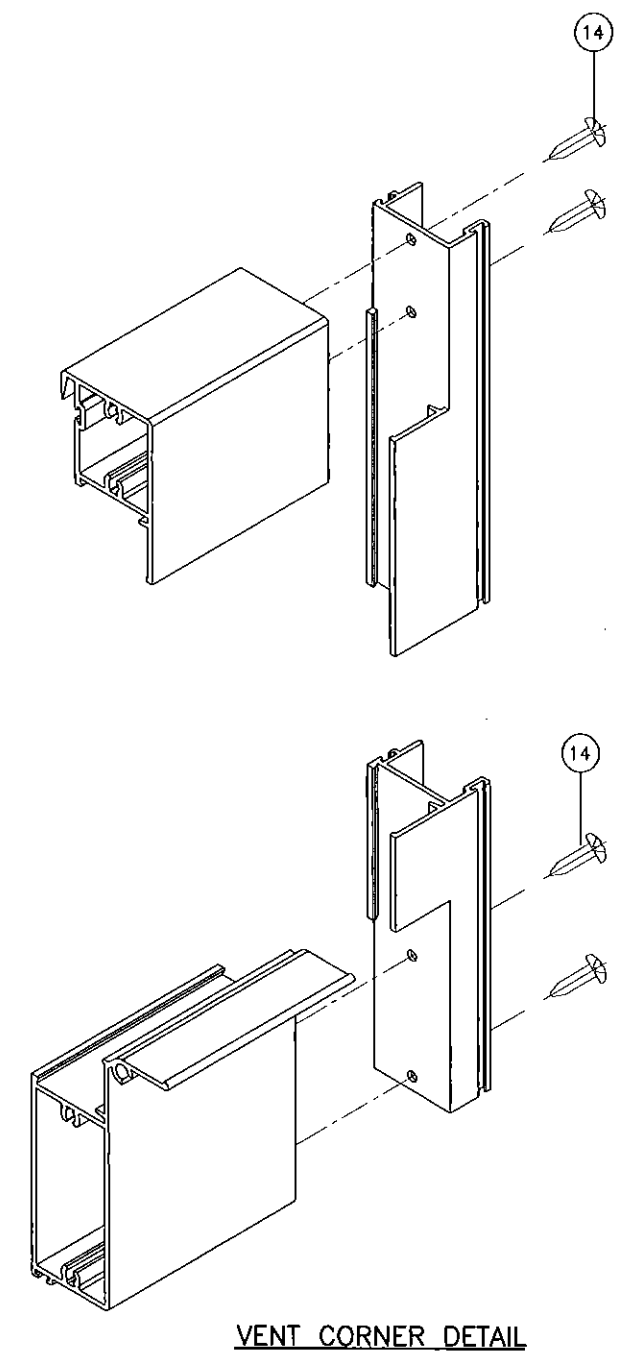




FRAME CORNERS DETAIL

PRODUCT REVISED  
 as complying with the Florida  
 Building Code  
 Acceptance No. 15-0406.12  
 Expiration Date 08/20/19  
 By: *Mamad Serey*  
 Miami Dade Product Control

Engr: JAVAD AHMAD  
 CIVIL  
 FLA. PE # 70592  
 C.A.N. 3538  
 JUN 28 2015



VENT CORNER DETAIL

**af c**  
**AL-FAROOQ CORPORATION**  
 ENGINEERS & PRODUCT DEVELOPMENT  
 1235 S.W. 87 AVE  
 MIAMI, FLORIDA 33174  
 TEL. (305) 264-8100 FAX. (305) 262-6978  
 COMP-ANL\W09-08ECO

ECO-GUARD SERIES-100 ALUM S.H. WDW. (L.M.I.)  
**ECO WINDOW SYSTEMS, LLC.**  
 9114 N.W. 106 STREET  
 MEDLEY, FL. 33178  
 TEL. (305) 885-5299 FAX (305) 885-5902

no	date	by	description
A	02.15.12		NO CHANGE THIS SHEET
B	07.11.13		MANUF. ADDRESS REV.
C	02.06.14		GLASS & LATCH OPTION ADDED
D	03.18.15		UPDATED TO 2014 FBC
E	06.23.15		NO CHANGE THIS SHEET

date: 02-12-09  
 scale: 1/2" = 1"  
 dr. by: HAMID  
 chk. by:

drawing no.  
**W09-08**  
 sheet 6 of 6