



DEPARTMENT OF REGULATORY AND ECONOMIC RESOURCES (RER)
 BOARD AND CODE ADMINISTRATION DIVISION
NOTICE OF ACCEPTANCE (NOA)

MIAMI-DADE COUNTY
 PRODUCT CONTROL SECTION
 11805 SW 26 Street, Room 208
 T (786) 315-2590 F (786) 315-2599
www.miamidade.gov/economy

Eurotech Industries, Inc.
 4201 NE 12th Terrace
 Ft. Lauderdale, FL 33334

SCOPE:

This NOA is being issued under the applicable rules and regulations governing the use of construction materials. The documentation submitted has been reviewed and accepted by Miami-Dade County RER-Product Control Section to be used in Miami-Dade County and other areas where allowed by the Authority Having Jurisdiction (AHJ).

This NOA shall not be valid after the expiration date stated below. The Miami-Dade County Product Control Section (In Miami-Dade County) and/ or the AHJ (in areas other than Miami-Dade County) reserve the right to have this product or material tested for quality assurance purposes. If this product or material fails to perform in the accepted manner, the manufacturer will incur the expense of such testing and the AHJ may immediately revoke, modify, or suspend the use of such product or material within their jurisdiction. RER reserves the right to revoke this acceptance, if it is determined by Miami-Dade County Product Control Section that this product or material fails to meet the requirements of the applicable building code.

This product is approved as described herein, and has been designed to comply with the Florida Building Code, including the High Velocity Hurricane Zone.

DESCRIPTION: Series "Sidelite/Transom" Aluminum Fixed Window – L.M.I.

APPROVAL DOCUMENT: Drawing No. **W04-14**, titled "Alum. Sidelite/Transom Windows (L.M.I.)", sheets 1 through 4 of 4, dated 02/24/04, with revision D dated 02/27/15, prepared by Al-Farooq Corporation, signed and sealed by Javad Ahmad, P.E., bearing the Miami-Dade County Product Control Revision stamp with the Notice of Acceptance number and expiration date by the Miami-Dade County Product Control Section.

MISSILE IMPACT RATING: Large and Small Missile Impact Resistant

LABELING: Each unit shall bear a permanent label with the manufacturer's name or logo, city, state, model/ series, and following statement: "Miami-Dade County Product Control Approved", unless otherwise noted herein.

RENEWAL of this NOA shall be considered after a renewal application has been filed and there has been no change in the applicable building code negatively affecting the performance of this product.

TERMINATION of this NOA will occur after the expiration date or if there has been a revision or change in the materials, use, and/ or manufacture of the product or process. Misuse of this NOA as an endorsement of any product, for sales, advertising or any other purposes shall automatically terminate this NOA. Failure to comply with any section of this NOA shall be cause for termination and removal of NOA.

ADVERTISEMENT: The NOA number preceded by the words Miami-Dade County, Florida, and followed by the expiration date may be displayed in advertising literature. If any portion of the NOA is displayed, then it shall be done in its entirety.

INSPECTION: A copy of this entire NOA shall be provided to the user by the manufacturer or its distributors and shall be available for inspection at the job site at the request of the Building Official.

This NOA revises NOA No. **14-0303.11** and consists of this page 1 and evidence pages E-1 and E-2, as well as approval document mentioned above.

The submitted documentation was reviewed by **Manuel Perez, P.E.**



MP
 8/6/15

NOA No. 15-0416.04
 Expiration Date: June 10, 2019
 Approval Date: August 06 2015
 Page 1

NOTICE OF ACCEPTANCE: EVIDENCE SUBMITTED

A. DRAWINGS

1. Manufacturer's die drawings and sections.
(Submitted under NOA No. 04-0428.04)
2. Drawing No **W04-14**, titled "Alum. Sidelite/Transom Windows (L.M.I.)", sheets 1 through 4 of 4, dated 02/24/04, with revision D dated 02/27/15, prepared by Al-Farooq Corporation, signed and sealed by Javad Ahmad, P.E.

B. TESTS

1. Test reports on: 1) Air Infiltration Test, per FBC, TAS 202-94
2) Uniform Static Air Pressure Test, Loading per FBC, TAS 202-94
3) Water Resistance Test, per FBC, TAS 202-94
4) Forced Entry Test, per FBC 2411.3.2.1 (b) and TAS 202-94
along with marked-up drawings and installation diagram of an aluminum fixed window, prepared Hurricane Engineering & Testing Inc., Test Report No. **HETI-03-1331**, dated 01/15/04, signed and sealed by Rafael E. Droz-Seda, P.E.
(Submitted under NOA No. 04-0428.04)
2. Test reports on: 1) Air Infiltration Test, per FBC, TAS 202-94
2) Uniform Static Air Pressure Test, Loading per FBC, TAS 202-94
3) Water Resistance Test, per FBC, TAS 202-94
4) Forced Entry Test, per FBC 2411.3.2.1 (b) and TAS 202-94
along with marked-up drawings and installation diagram of an aluminum fixed window, prepared Hurricane Engineering & Testing Inc., Test Report No. **HETI-03-1365**, dated 01/15/04, signed and sealed by Rafael E. Droz-Seda, P.E.
(Submitted under NOA No. 04-0428.04)
3. Test reports on: 1) Large Missile Impact Test per FBC, TAS 201-94
2) Cyclic Wind Pressure Loading per FBC, TAS 203-94
along with marked-up drawings and installation diagram of an aluminum fixed window, prepared Hurricane Engineering & Testing Inc., Test Report No. **HETI-03-1882**, dated 01/15/04, signed and sealed by Rafael E. Droz-Seda, P.E.
(Submitted under NOA No. 04-0428.04)
4. Test reports on: 1) Large Missile Impact Test per FBC, TAS 201-94
2) Cyclic Wind Pressure Loading per FBC, TAS 203-94
along with marked-up drawings and installation diagram of an aluminum fixed window, prepared Hurricane Engineering & Testing Inc., Test Report No. **HETI-03-1889**, dated 02/03/04, signed and sealed by Rafael E. Droz-Seda, P.E.
(Submitted under NOA No. 04-0428.04)


Manuel Perez, P.E.
Product Control Examiner
NOA No. 15-0416.04

Expiration Date: June 10, 2019
Approval Date: August 06 2015

Eurotech Industries, Inc.

NOTICE OF ACCEPTANCE: EVIDENCE SUBMITTED

B. TESTS (CONTINUED)

5. Test reports on: 1) Large Missile Impact Test per FBC, TAS 201-94
2) Cyclic Wind Pressure Loading per FBC, TAS 203-94
along with marked-up drawings and installation diagram of an aluminum fixed window, prepared Hurricane Engineering & Testing Inc., Test Report No. **HETI-03-1890**, dated 02/09/04, signed and sealed by Rafael E. Droz-Seda, P.E.
(Submitted under NOA No. 04-0428.04)

C. CALCULATIONS

1. Anchor verification calculations and structural analysis, complying with **FBC 5th Edition (2014)**, dated 02/27/15, prepared by Al-Farooq Corporation, signed and sealed by Javad Ahmad, P.E.
2. Glazing complies with **ASTM E1300-09**

D. QUALITY ASSURANCE

1. Miami-Dade Department of Regulatory and Economic Resources (RER).

E. MATERIAL CERTIFICATIONS

1. Notice of Acceptance No. **14-0916.11** issued to **Kuraray America, Inc.** for their "**SentryGlas® (Clear and White) Glass Interlayers**" dated 06/25/15, expiring on 07/04/18.

F. STATEMENTS

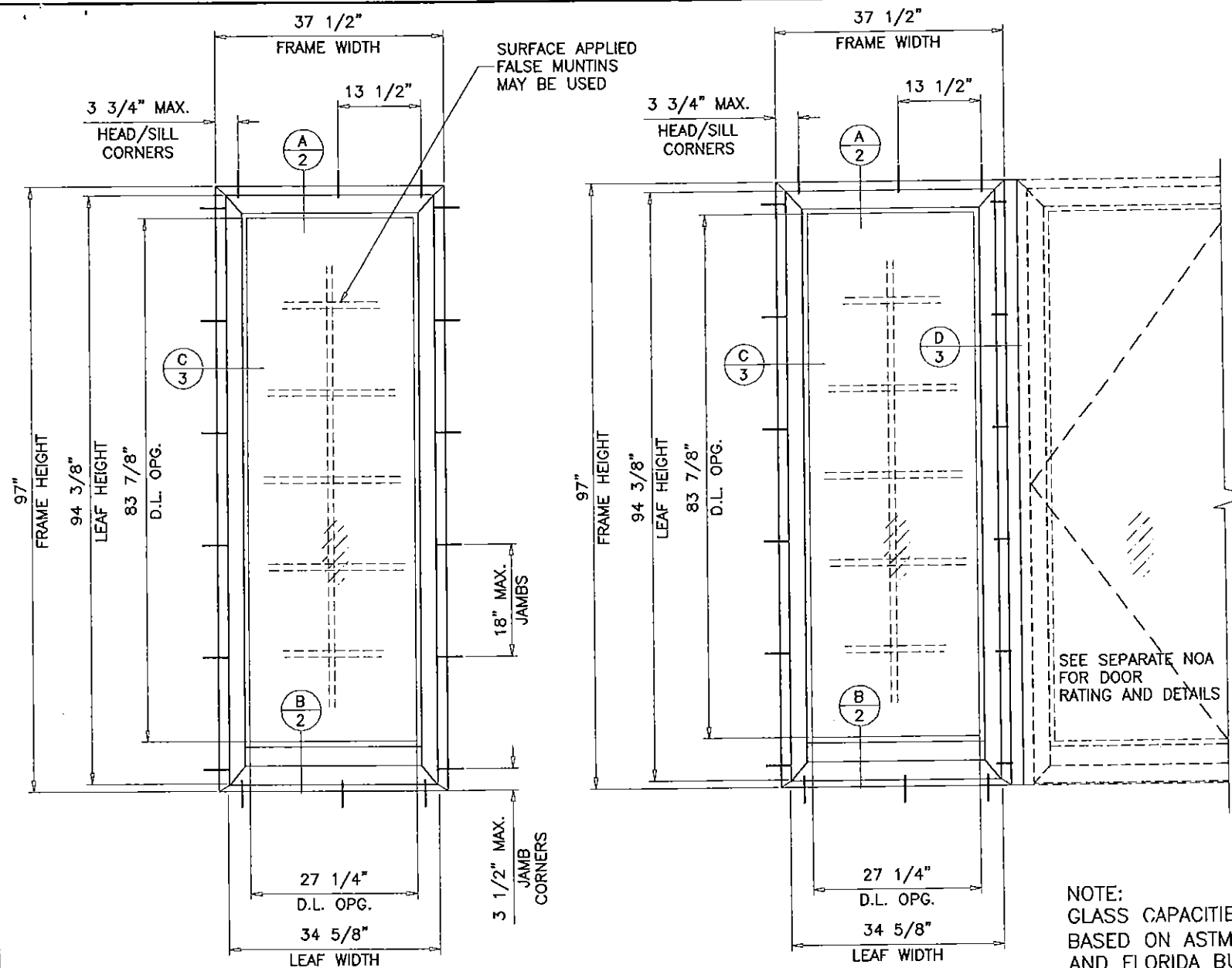
1. Statement letter of conformance, complying with **FBC 5th Edition (2014)**, and of no financial interest, dated February 27, 2015, issued by Al-Farooq Corporation, signed and sealed by Javad Ahmad, P.E.
2. Laboratory compliance letter for Test Report No. **HETI-03-1331, HETI-03-1365, HETI-03-1882, HETI-03-1889** and **HETI-03-1890**, issued by Hurricane Test Laboratory, Inc., dated January 15, 2004, February 09, 2004 and February 03, 2004 respectively, signed and sealed by Rafael E. Droz-Seda, P.E.
(Submitted under NOA No. 04-0428.04)

G. OTHERS

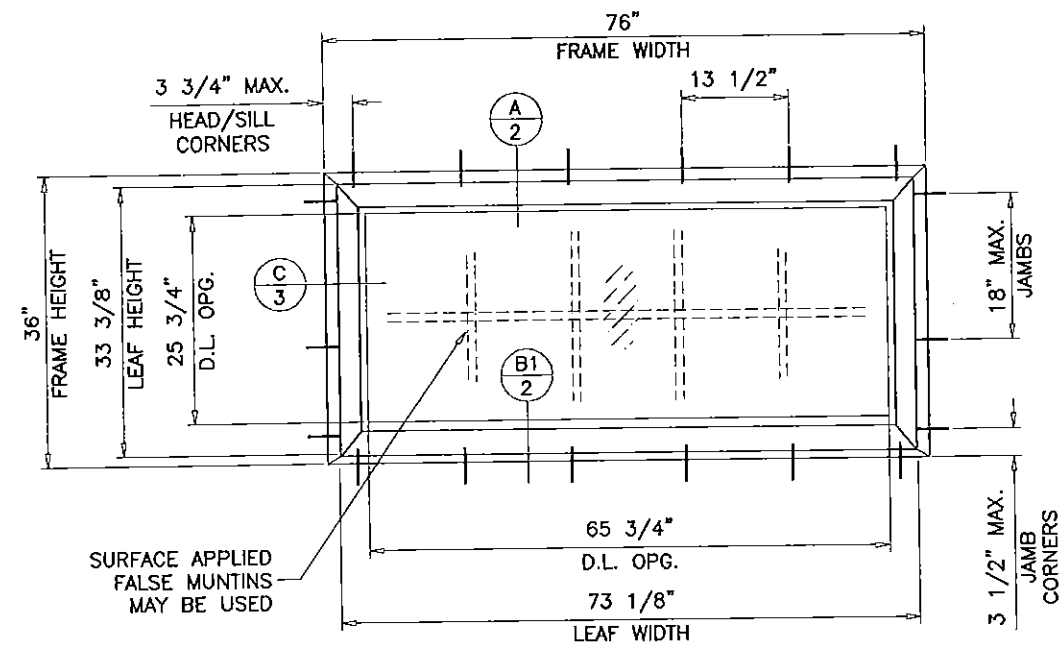
1. Notice of Acceptance No. **14-0303.11**, issued to Eurotech Industries, Inc. for their Series "**Sidelite/Transom**" Aluminum Fixed Window - L.M.I., approved on 04/17/14 and expiring on 06/10/19.


Manuel Perez, P.E.
Product Control Examiner
NOA No. 15-0416.04

Expiration Date: June 10, 2019
Approval Date: August 06 2015



TYPICAL ELEVATIONS



NOTE:
GLASS CAPACITIES ON THIS SHEET ARE
BASED ON ASTM E1300-09 (3 SEC. GUSTS)
AND FLORIDA BUILDING COMMISSION
DECLARATORY STATEMENT DCA05-DEC-219

SIDELITE UNITS			
DESIGN LOAD CAPACITY - PSF			
UNIT WIDTH	UNIT HEIGHT	EXT.(+)	INT.(-)
24"	80"	75.0	75.0
30"		75.0	75.0
36"		75.0	75.0
42"		67.0	67.0
24"	84"	75.0	75.0
30"		75.0	75.0
36"		75.0	75.0
42"		67.0	67.0
24"	96"	75.0	75.0
30"		75.0	75.0
36"		75.0	75.0
36"		67.0	67.0
24"	108"	75.0	75.0
30"		75.0	75.0
30"		75.0	75.0
30"		75.0	75.0
24"	120"	75.0	75.0
30"		75.0	75.0
24"		75.0	75.0
24"	132"	75.0	75.0

ALUM SIDELITE/TRANSOM WINDOWS

THESE PRODUCTS CAN BE INSTALLED AS SINGLE UNITS OR IN COMBINATION WITH MIAMI-DADE COUNTY APPROVED PRODUCTS USING APPROVED MULLION IN BETWEEN. LOWER DESIGN PRESSURE FROM WINDOWS OR MULLION APPROVAL WILL APPLY TO ENTIRE SYSTEM.

THIS PRODUCT HAS BEEN DESIGNED AND TESTED TO COMPLY WITH THE REQUIREMENTS OF THE FLORIDA BUILDING CODE INCLUDING HIGH VELOCITY HURRICANE ZONE (HVHZ).

WOOD BUCKS BY OTHERS, MUST BE ANCHORED PROPERLY TO TRANSFER LOADS TO THE STRUCTURE.

ANCHORS SHALL BE AS LISTED, SPACED AS SHOWN ON DETAILS, ANCHORS EMBEDMENT TO BASE MATERIAL SHALL BE BEYOND WALL DRESSING OR STUCCO.

ANCHORING OR LOADING CONDITIONS NOT SHOWN IN THESE DETAILS ARE NOT PART OF THIS APPROVAL.

A LOAD DURATION INCREASE IS USED IN DESIGN OF ANCHORS INTO WOOD ONLY.

ALL SHIMS TO BE HIGH IMPACT, NON-METALLIC AND NON-COMPRESSIBLE.

MATERIALS INCLUDING BUT NOT LIMITED TO STEEL/METAL SCREWS, THAT COME INTO CONTACT WITH OTHER DISSIMILAR MATERIALS SHALL MEET THE REQUIREMENTS OF THE FLORIDA BUILDING CODE.

TRANSOM UNITS			
DESIGN LOAD CAPACITY - PSF			
UNIT WIDTH	UNIT HEIGHT	EXT.(+)	INT.(-)
60"	36"	75.0	75.0
66"		75.0	75.0
72"		75.0	75.0
78"		75.0	75.0
84"		75.0	75.0
90"		75.0	75.0
96"	75.0	75.0	
60"	39"	72.1	72.1
66"		72.1	72.1
72"		72.1	72.1
78"		72.1	72.1
84"		72.1	72.1
90"		72.1	72.1
60"	42"	67.0	67.0
66"		67.0	67.0
72"		67.0	67.0
78"		67.0	67.0
84"		67.0	67.0
84"		67.0	67.0
60"	45"	62.5	62.5
66"		62.5	62.5
72"		62.5	62.5
72"		62.5	62.5
78"		62.5	62.5

SIDELITES/TRANSOMS ARE RATED FOR LARGE AND SMALL MISSILE IMPACT. SHUTTERS ARE NOT REQUIRED.

Engr: JAVAD AHMAD
CIVIL
FLA. PE # 70592
C.A.N. 3338
MAR 06 2015

PRODUCT REVISED
as complying with the Florida
Building Code
Acceptance No. 15-0416
Expiration Date June 10, 2019
By: *Manuel Perez*
Miami Dade Product Control

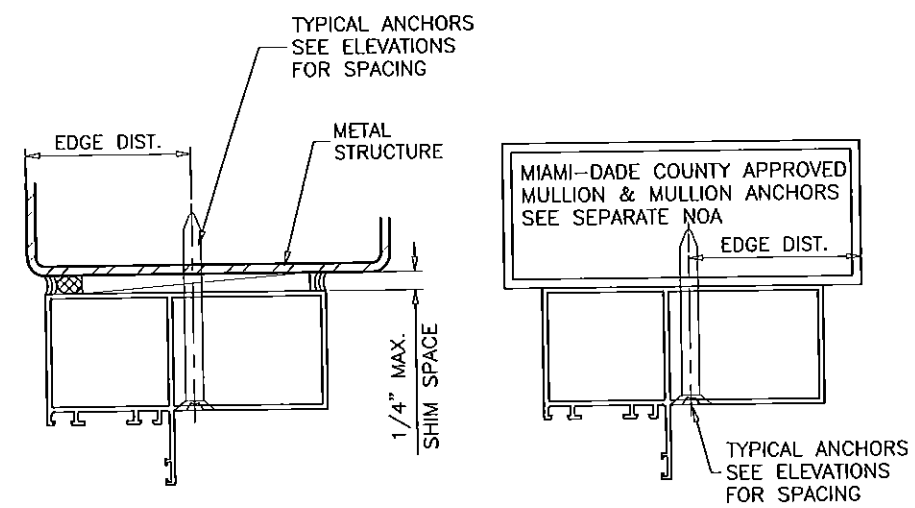
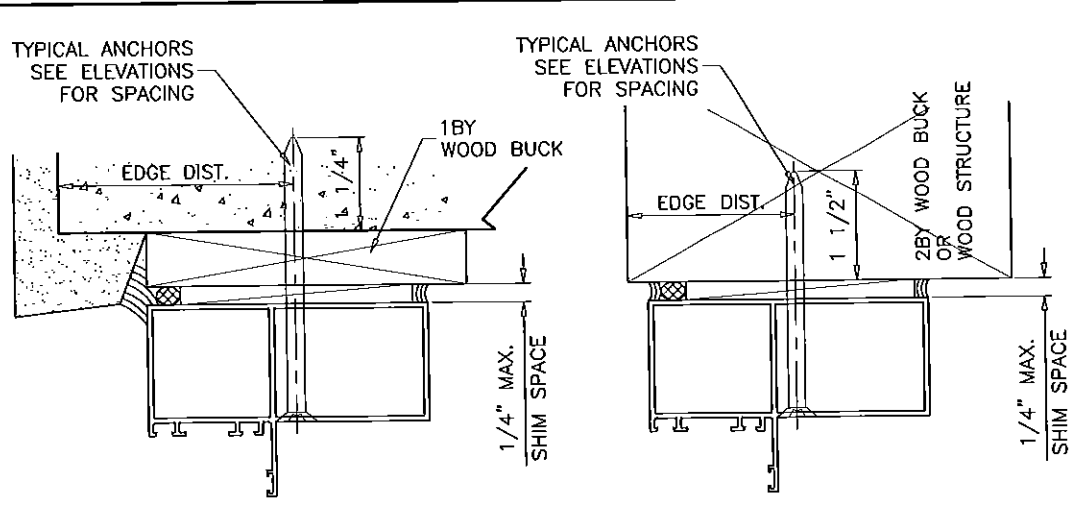
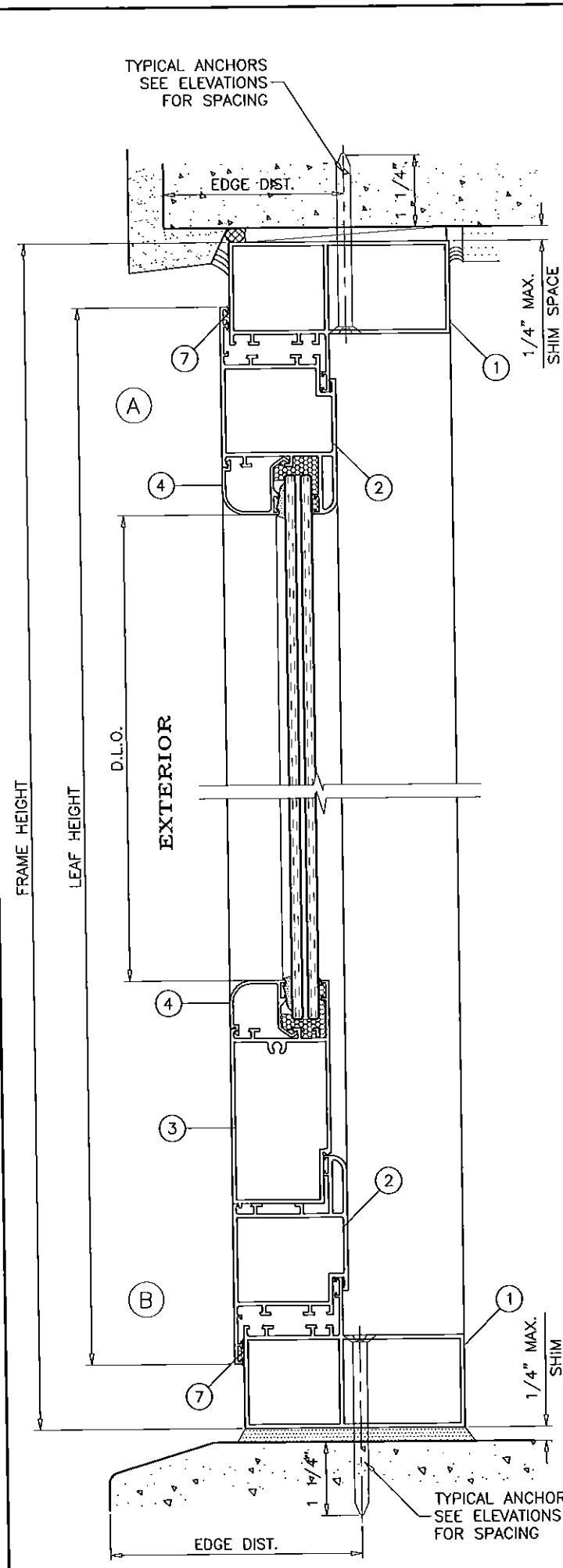
af c
AL-FAROOQ CORPORATION
ENGINEERS & PRODUCT DEVELOPMENT
1235 S.W. 87 AVE
MIAMI, FLORIDA 33174
TEL. (305) 264-8100 FAX. (305) 262-6978
COMP-ANL\W04-14EWD

ALUM SIDELITE/TRANSOM WINDOWS (L.M.I.)
EUROTECH INDUSTRIES INC.
4201 N.E. 12TH TERRACE
FT. LAUDERDALE, FL. 33334
TEL. (954) 630-9967 FAX. (954) 630-0217

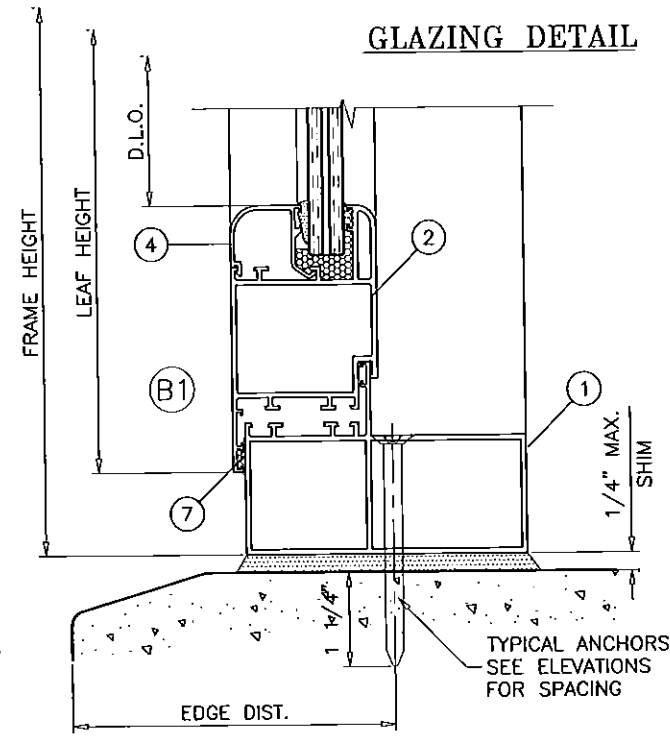
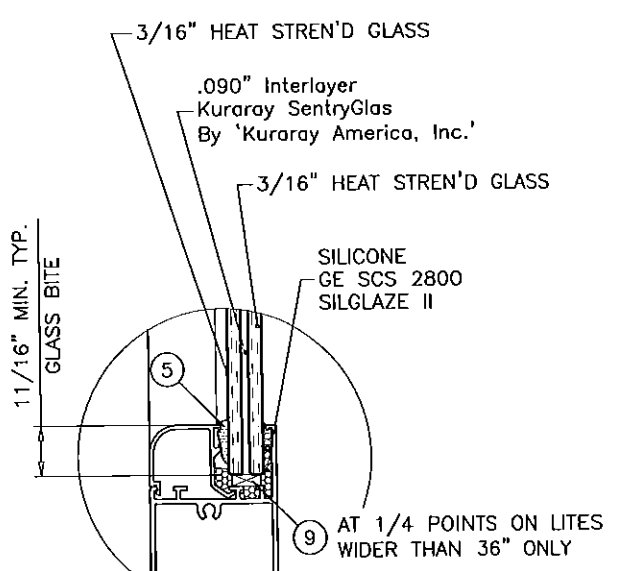
no	date	description	by
A	04.25.06	UPDATED FOR 2004 FBC	
B	04.15.09	UPDATED FOR 2007 FBC	
C	01.26.12	UPDATED TO 2010 FBC	
D	02.27.15	UPDATED TO 2014 FBC	

date: 02-24-04
scale: 1/2"=1'-0"
dr. by: HAVID
chk. by:

drawing no.
W04-14
sheet 1 of 4



WOOD BUCKS AND METAL STRUCTURE NOT BY EUROTECH MUST SUSTAIN LOADS IMPOSED BY GLAZING SYSTEM AND TRANSFER THEM TO THE BUILDING STRUCTURE.



TYPICAL ANCHORS: SEE ELEV. FOR SPACING

1/4" DIA. TAPCON BY 'ITW' (Fu=125 KSI, Fy=100 KSI)

1/4" DIA. ULTRACON BY 'ELCO' (Fu=177 KSI, Fy=155 KSI)

INTO 2BY WOOD BUCKS OR WOOD STRUCTURES
1-1/2" MIN. PENETRATION INTO WOOD (HEAD/SILL/JAMBS)

THRU 1BY BUCKS INTO CONC. OR MASONRY
1-1/4" MIN. EMBED INTO CONCRETE (HEAD/SILL)
1-1/4" MIN. EMBED INTO CONC. OR MASONRY (JAMBS)

DIRECTLY INTO CONC. OR MASONRY
1-1/4" MIN. EMBED INTO CONCRETE (HEAD/SILL)
1-1/4" MIN. EMBED INTO CONC. OR MASONRY (JAMBS)

#14 SMS OR SELF DRILLING SCREWS (GRADE 2 CRS)

INTO MIAMI-DADE COUNTY APPROVED MULLIONS (MIN. THK. = 1/8")

INTO METAL STRUCTURES
STEEL : 1/8" THK. MIN. (Fy = 36 KSI MIN.)
ALUMINUM : 1/8" THK. MIN. (6063-T5 MIN.)
(STEEL IN CONTACT WITH ALUMINUM TO BE PLATED OR PAINTED)

TYPICAL EDGE DISTANCE

INTO CONCRETE AND MASONRY = 2" MIN.
INTO WOOD STRUCTURE = 1" MIN.
INTO METAL STRUCTURE = 3/4" MIN.

WOOD AT HEAD, SILL OR JAMBS SG = 0.55 MIN.
CONCRETE AT HEAD, SILL OR JAMBS f'c = 3000 PSI MIN.
C-90 HOLLOW/FILLED BLOCK AT JAMBS f'm = 2000 PSI MIN.

SEALANTS:

ALL FRAME AND LEAF CORNERS AND JOINTS SEALED WITH ADSEL OR TEKNA 50729 SEALANTS.

Engr: JAVAD AHMAD
CIVIL
FLA. PE # 70592
C.A.N. 3538

MAR 06 2015

PRODUCT REVISED
as complying with the Florida
Building Code
Acceptance No. 15-0416.01
Expiration Date June 10, 2019

By *Manuel Perez*
Miami Dade Product Control

af c

AL-FAROOQ CORPORATION
ENGINEERS & PRODUCT DEVELOPMENT
1235 S.W. 87 AVE
MIAMI, FLORIDA 33174
TEL (305) 264-8100 FAX (305) 262-6978
COMP-ANL\W04-14EWD

ALUM SIDELITE/TRANSOM WINDOWS (L.M.I.)

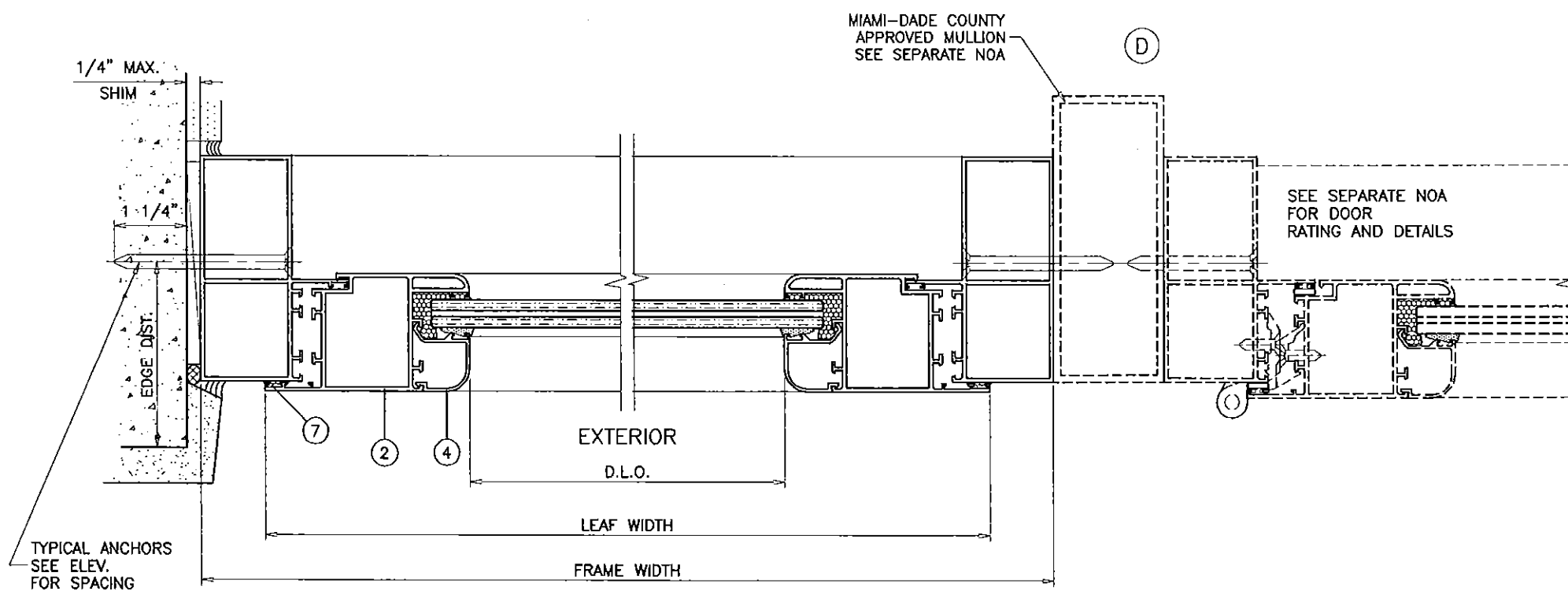
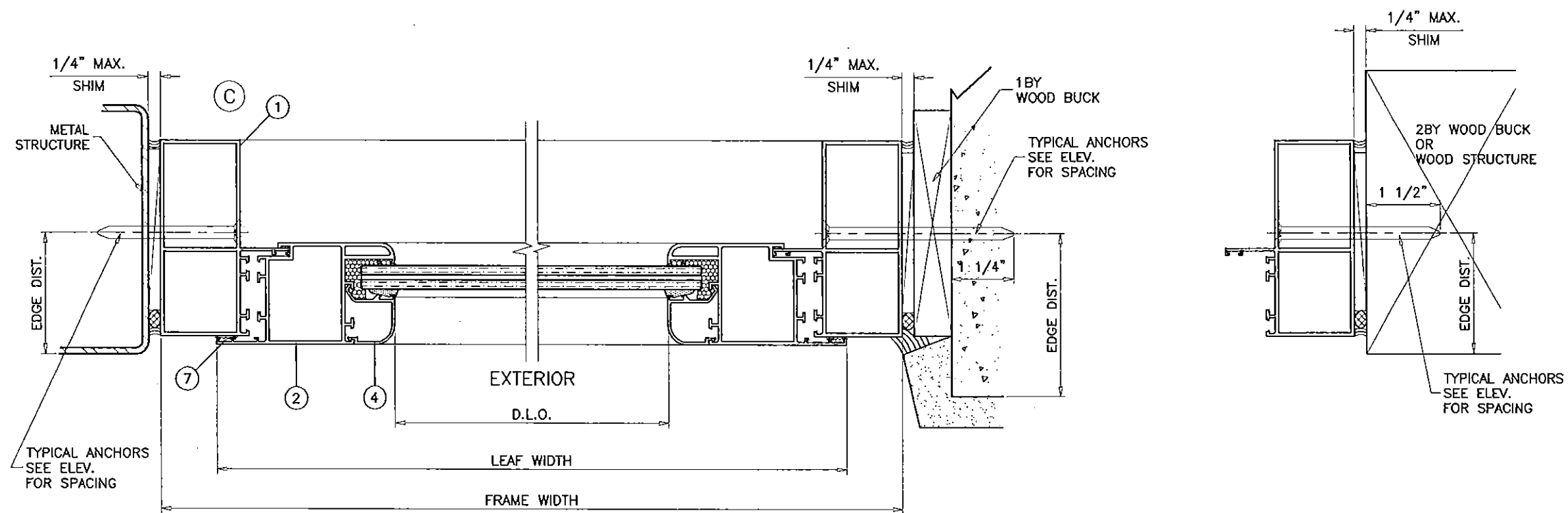
EUROTECH INDUSTRIES INC.
4201 N.E. 12TH TERRACE
FT. LAUDERDALE, FL. 33334
TEL. (954) 630-9967 FAX. (954) 630-0217

NO	DATE	DESCRIPTION
A	04.28.06	UPDATED FOR 2004 FBC
B	04.15.09	UPDATED FOR 2007 FBC
C	01.26.12	UPDATED TO 2010 FBC
D	02.27.15	UPDATED TO 2014 FBC

date: 02-24-04
scale: 3/8" = 1"
dr. by: HAMID
chk. by:

drawing no. **W04-14**
sheet 2 of 4

ITEM #	PART #	REQD.	DESCRIPTION	MATERIAL	MANF./SUPPLIER/REMARKS
1	ER006	AS REQD.	SIDELITE FRAME	6063-T6	-
2	ER012	AS REQD.	SIDELITE LEAF	6063-T6	-
3	VZ1566	1/ LEAF	DOOR BASE BOARD	6063-T6	-
4	VZ-1535	4/ LEAF	GLAZING BEAD	6063-T6	-
5	2801	AS REQD.	GLAZING GASKET	VINYL	-
6	1001/50	1/ CORNER	CORNER KEY	ALUMINUM	MONTICELLO
7	SCS 2800	AS REQD.	SIDELITE LEAF SEALANT	SILICONE	GE
8	#12 X 1-1/4	-	FRAME ASSEMBLY SCREWS	-	SMS
9	-	2/ LITE	SETTING BLOCKS	EPDM	DUROMETER 80±5 SHORE A



Engr: JAVAD AHMAD
 CML
 FLA. PE # 70592
 C.A.N. 3538

MAR 06 2015

PRODUCT REVISED
 as complying with the Florida
 Building Code
 Acceptance No 15-0416.04
 Expiration Date June 10, 2019

By *Wahid J. J.*
 Miami Dade Product Control

af c
AL-FAROOQ CORPORATION
 ENGINEERS & PRODUCT DEVELOPMENT
 1235 S.W. 87 AVE
 MIAMI, FLORIDA 33174
 TEL. (305) 264-8100 FAX. (305) 262-6978
 COMP-ANL\W04-14EWD

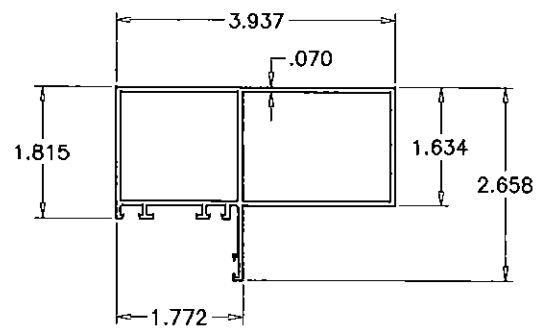
ALUM SIDELITE/TRANSOM WINDOWS (L.M.I.)
EUROTECH INDUSTRIES INC.
 4201 N.E. 12TH TERRACE
 FT. LAUDERDALE, FL. 33334
 TEL. (954) 630-9967 FAX. (954) 630-0217

NO	DATE	DESCRIPTION
A	04.28.06	UPDATED FOR 2004 FBC
B	04.15.09	UPDATED FOR 2007 FBC
C	01.26.12	NO CHANGE THIS SHEET
D	02.27.15	UPDATED TO 2014 FBC

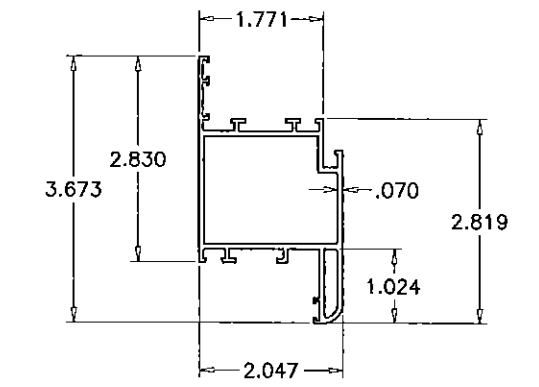
date: 02-24-04
 scale: 3/8" = 1"
 dr. by: HAMID
 chk. by:

drawing no.
W04-14

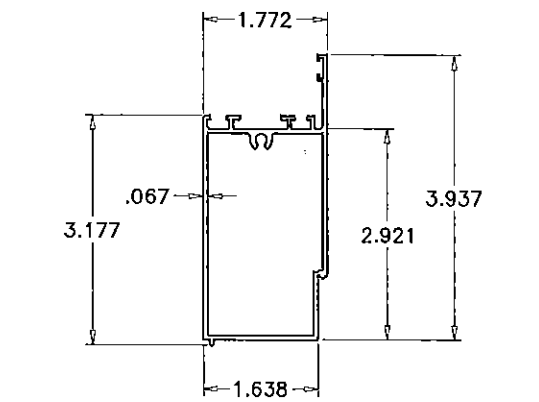
sheet 3 of 4



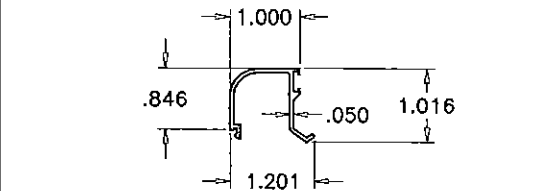
DOOR FRAME



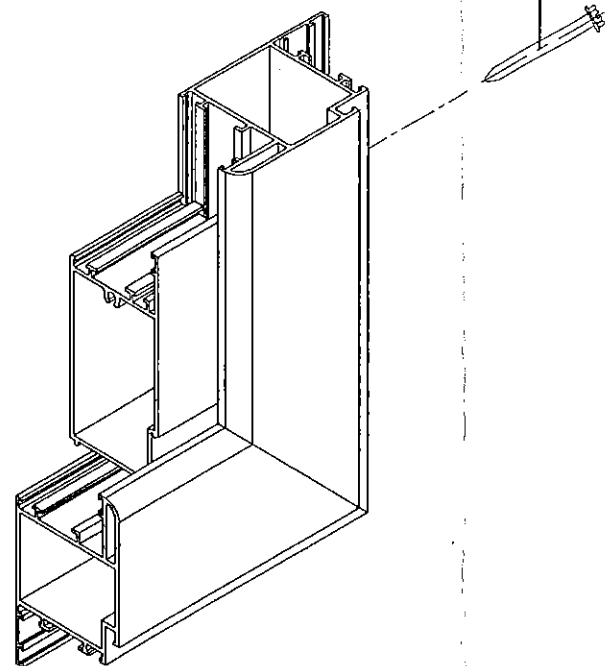
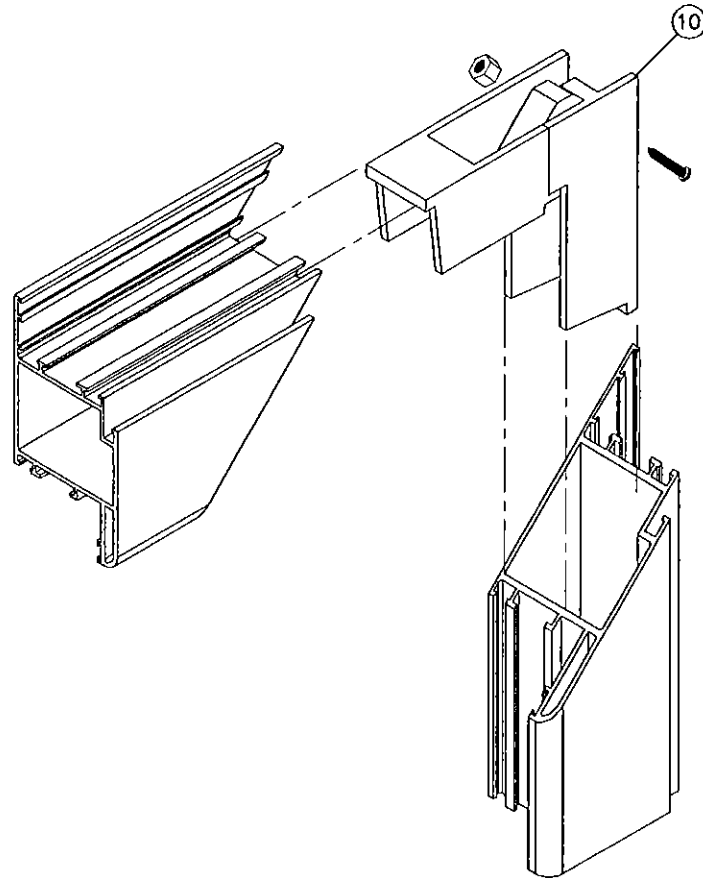
DOOR LEAF



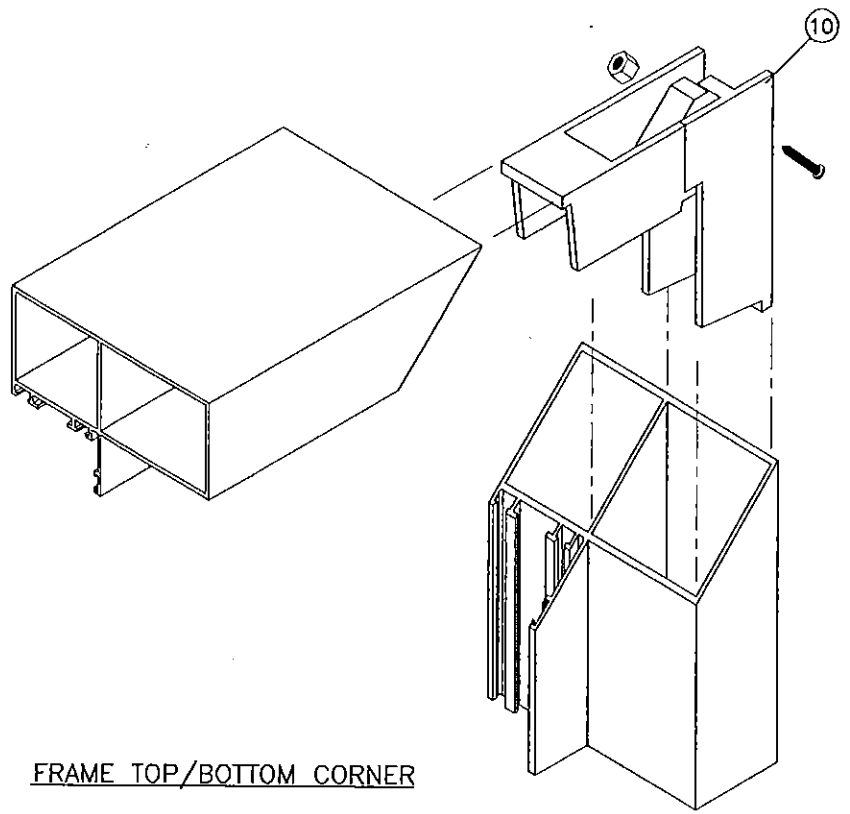
DOOR BASE BOARD



GLAZING BEAD



LEAF CORNERS



FRAME TOP/BOTTOM CORNER

Engr: JAVAD AHMAD
CML
FLA. PE # 70592
C.A.N. 3538

MAR 06 2015

PRODUCT REVISED
as complying with the Florida
Building Code
Acceptance No 15-0416.04
Expiration Date June 10, 2019
By *Manuel Perez*
Miami Dade Product Control



AL-FAROOQ CORPORATION
ENGINEERS & PRODUCT DEVELOPMENT
1235 S.W. 87 AVE
MIAMI, FLORIDA 33174
TEL. (305) 264-8100 FAX. (305) 262-6978
COMP-ANL\W04-14EWD

ALUM SIDELITE/TRANSOM WINDOWS (L.M.I.)
EUROTECH INDUSTRIES INC.
4201 N.E. 12TH TERRACE
FT. LAUDERDALE, FL. 33334
TEL. (954) 630-9967 FAX. (954) 630-0217

revisions:	
no	date
A	04.28.06
B	04.15.09
C	01.26.12
D	02.27.15

date:	02-24-04
scale:	3/8" = 1"
dr. by:	HAMID
chk. by:	

drawing no.
W04-14

sheet 4 of 4