



DEPARTMENT OF REGULATORY AND ECONOMIC RESOURCES (RER)
BOARD AND CODE ADMINISTRATION DIVISION

MIAMI-DADE COUNTY
PRODUCT CONTROL SECTION
11805 SW 26 Street, Room 208
Miami, Florida 33175-2474
T (786) 315-2590 F (786) 315-2599

www.miamidade.gov/economy

NOTICE OF ACCEPTANCE (NOA)

Just Shutter It, Inc.
1341 SW S. Macedo Blvd.
Port St. Lucie, Florida 34983

SCOPE:

This NOA is being issued under the applicable rules and regulations governing the use of construction materials. The documentation submitted has been reviewed and accepted by Miami-Dade County RER- Product Control Section be used in Miami Dade County and other areas where allowed by the Authority Having Jurisdiction (AHJ).

This NOA shall not be valid after the expiration date stated below. The Miami-Dade County Product Control Section (In Miami Dade County) and/or the AHJ (in areas other than Miami Dade County) reserve the right to have this product or material tested for quality assurance purposes. If this product or material fails to perform in the accepted manner, the manufacturer will incur the expense of such testing and the AHJ may immediately revoke, modify, or suspend the use of such product or material within their jurisdiction. RER reserves the right to revoke this acceptance, if it is determined by Miami-Dade County Product Control Section that this product or material fails to meet the requirements of the applicable building code.

This product is approved as described herein, and has been designed to comply with the High Velocity Hurricane Zone of the Florida Building Code.

DESCRIPTION: "Supernova" Aluminum Accordion Shutter System

APPROVAL DOCUMENT: Drawing No. 15-146, titled "Supernova Extruded Aluminum Accordion Shutter", sheets 1 through 13 of 13, prepared by Engco, Inc., dated April 07, 2015, signed and sealed by Pedro De Figueiredo, P.E., on July 30, 2015 bearing the Miami-Dade County Product Control Revision stamp with the Notice of Acceptance number and the expiration date by the Miami-Dade County Product Control Section.

MISSILE IMPACT RATING: Large and Small Missile Impact Resistant

LABELING: Each unit shall bear a permanent label with the manufacturer's name or logo, city, state, the following statement: "Miami-Dade County Product Control Approved", and NOA number, per TAS-201, TAS-202, and TAS-203, unless otherwise noted herein.

RENEWAL of this NOA shall be considered after a renewal application has been filed and there has been no change in the applicable building code negatively affecting the performance of this product.

TERMINATION of this NOA will occur after the expiration date or if there has been a revision or change in the materials, use, and/or manufacture of the product or process. Misuse of this NOA as an endorsement of any product, for sales, advertising or any other purposes shall automatically terminate this NOA. Failure to comply with any section of this NOA shall be cause for termination and removal of NOA.

ADVERTISEMENT: The NOA number preceded by the words Miami-Dade County, Florida, and followed by the expiration date may be displayed in advertising literature. If any portion of the NOA is displayed, then it shall be done in its entirety.

INSPECTION: A copy of this entire NOA shall be provided to the user by the manufacturer or its distributors and shall be available for inspection at the job site at the request of the Building Official.

This NOA revises NOA #14-0708.05 and consists of this page 1, evidence submitted pages E-1 & E-2 as well as approval document mentioned above.

The submitted documentation was reviewed by **Helmy A. Makar, P.E., M.S.**



Helmy A. Makar
08/27/2015

NOA No. 15-0513.03
Expiration Date: 08/14/2019
Approval Date: 08/27/2015
Page 1

NOTICE OF ACCEPTANCE: EVIDENCE SUBMITTED

1. EVIDENCE SUBMITTED UNDER PREVIOUS APPROVAL #14-0708.05

A. DRAWINGS

1. *Drawing No. 14-131, titled " Supernova Extruded Aluminum Accordion Shutter ", sheets 1 through 11 of 11, and sht. 3.1, 4.1, 9.1, prepared by Engco, Inc., dated June 26, 2014, signed and sealed by Pedro De Figueiredo, P.E., on June 26, 2014.*

B. TESTS

1. *See Association's generic approval under 14-0155.*

C. CALCULATIONS

1. *See Association's generic approval under 14-0155.*

D. QUALITY ASSURANCE

1. *By Miami-Dade County Department of Regulatory and Economic Resources.*

E. MATERIAL CERTIFICATIONS

1. *See Association's generic approval under 14-0155.*


F. STATEMENTS

1. *Release letter issued by the National Approved Shutter Association, dated August 01, 2014, certifying this product to meet the criteria of product tested and approved, and allowing Just Shutter It, Inc. to use the test results approved under Miami Dade County Approval No. 14-0155, signed by Mr. Peter Loucks.*
2. *Acknowledgment letter by Just Shutter It, Inc., dated August 01, 2014, signed by Mr. Samuel Zaza.*
3. *Letter by Engco Inc., dated June 26, 2014, signed and sealed by Mr. Pedro De Figueiredo, P.E., certifying that the drawing (No. 14-131) prepared for Just Shutter It, Inc. is engineering wise identical to N.A.S.A.'s generic drawing (No. 14-019.1).*

2. NEW EVIDENCE SUBMITTED

A. DRAWINGS

1. *Drawing No. 15-146, titled " Supernova Extruded Aluminum Accordion Shutter ", sheets 1 through 13 of 13, prepared by Engco, Inc., dated April 07, 2015, signed and sealed by Pedro De Figueiredo, P.E., on July 30, 2015.*



Helmy A. Makar, P.E., M.S.
Product Control Unit Supervisor
NOA No. 15-0513.03
Expiration Date: 08/14/2019
Approval Date: 08/27/2015

Just Shutter It, Inc.

NOTICE OF ACCEPTANCE: EVIDENCE SUBMITTED

B. TESTS

1. *See Association's generic approval under 15-0629.*

C. CALCULATIONS

1. *See Association's generic approval under 15-0629.*

D. QUALITY ASSURANCE

1. *By Miami-Dade County Department of Regulatory and Economic Resources.*

E. MATERIAL CERTIFICATIONS

1. *See Association's generic approval under 15-0629.*

F. STATEMENTS

1. *Letter by Engco Inc., dated May 05, 2015, signed and sealed by Mr. Pedro De Figueredo, P.E., certifying that the drawing (No. 15-146) prepared for Just Shutter It, Inc. is engineering wise identical to N.A.S.A.'s generic drawing (No. 15-113) and complies with FBC, 2014 Edition.*



Henry A. Makar, P.E., M.S.
Product Control Unit Supervisor
NOA No. 15-0513.03
Expiration Date: 08/14/2019
Approval Date: 08/27/2015

SUPERNOVA

EXTRUDED ALUMINUM ACCORDION SHUTTER LARGE MISSILE IMPACT RESISTANT

GENERAL NOTES: FLORIDA BUILDING CODE 2014 - HVHZ

- 1- DEFINITION: THIS PRODUCT IS AN ACCORDION TYPE SHUTTER; DESIGNED, CONSTRUCTED AND ERECTED TO EASILY ENCLOSE AN AREA, PROVIDING PROTECTION FROM HURRICANE FORCE WINDS AND WIND BORNE DEBRIS (LARGE AND SMALL MISSILE) WITHIN THE ALLOWABLE DESIGNED PRESSURES AND LIMITATIONS STATED IN THIS APPROVAL.
- 2- CODE: THIS PRODUCT HAS BEEN TESTED AND DESIGNED IN ACCORDANCE WITH THE HIGH VELOCITY HURRICANE ZONE (HVHZ) OF THE 2014 FLORIDA BUILDING CODE.
- 3- POSTING: A PERMANENT LEGIBLE DECAL SHALL BE PLACED AT A READILY VISIBLE LOCATION STATING THE FOLLOWING:

"JUST SHUTTER IT INC - PORT ST. LUCIE - FLORIDA
SUPERNOVA EXTRUDED ALUMINUM ACCORDION SHUTTER
MIAMI-DADE COUNTY PRODUCT CONTROL APPROVED"
- 4- LOADS: DESIGNED LOAD CALCULATED BASED ON THE ASCE 7-10 AND PROVIDED BY A PROFESSIONAL ARCHITECT OR ENGINEER FOR EACH SPECIFIC PROJECT. THE CALCULATED DESIGNED PRESSURE MUST NOT EXCEED THE ALLOWABLE PRESSURES FOR EACH SHUTTER COMPONENT TO BE USED.
- 5- MATERIAL: ALL EXTRUDED ALUMINUM SHAPES SHALL BE MADE OF 6063-T6 OR AS NOTED.
- 6- FASTENERS: ASSEMBLY SCREWS AND ANCHORS SHALL BE AS SPECIFIED IN THE CURRENT SET OF DRAWINGS. INSTALLATION AND LOADS AS PER THIS APPROVAL.
- 7- USE: IT SHALL BE THE RESPONSIBILITY OF THE CONTRACTOR, ARCHITECT OR ENGINEER OF RECORD TO VERIFY THE FOLLOWING:
 - 7.1- THE STABILITY OF THE STRUCTURE WHERE THE SHUTTER IS TO BE ATTACHED INSURING PROPER ANCHORAGE.
 - 7.2- THE SITE SPECIFIC PROJECT CRITERIA, SUCH AS BUT NOT LIMITED TO, WIND LOADS, LOCAL CODE REQUIREMENTS, DESIGNED PRESSURES ETC.
 - 7.3- THAT THIS APPROVAL IS ADEQUATE TO THE SPECIFIC PROJECT.
- 8- 33 1/3% INCREASE IN ALLOWABLE LOADS HAVE NOT BEEN USED IN THE DESIGN OF THE ANCHORS FOR THIS PRODUCT APPROVAL. HOWEVER, WOOD ANCHORS WITH 1.6 LOAD DURATION INCREASE FOR WIND LOAD HAVE BEEN USED.

USER INSTRUCTIONS:

- 1- DETERMINE PROJECT DESIGN WIND LOAD PRESSURES AS PER ITEM 4 OF GENERAL NOTES.
- 2- CHECK BLADE SPAN ALLOWABLE DESIGN PRESSURE ON TABLE 1 OR TABLE 1A.
- 3- VERIFY GLASS SEPARATION ON TABLE 2 IF APPLICABLE.
- 4- DETERMINE MAXIMUM ANCHORAGE PRESSURE CAPACITY FUNCTION OF SECTION TYPE TO BE USED AS PER SHEETS 3, 4, 5 & 6. SECTIONS ARE INTERCHANGEABLE.
- 5- THE LOWEST PRESSURE FROM ITEMS 2 AND 4 ABOVE MUST NOT EXCEED THE REQUIRED DESIGN PRESSURE FROM GENERAL NOTES 4

TABLE OF CONTENTS:

SHEET	DESCRIPTION
1	TABLE OF CONTENTS, GENERAL NOTES, USER INSTRUCTIONS
2	TYPICAL ELEVATION, ALLOWABLE BLADE PRESSURE TABLE 1, 1A AND GLASS SEPARATION TABLE 2
3	TYPICAL SECTIONS A, B1, B2, B3, B4 WITH ANCHORAGE TABLES
4	TYPICAL SECTIONS B & C WITH ANCHORAGE TABLES
5	TYPICAL SECTIONS D, E & GH WITH ANCHORAGE TABLES
6	TYPICAL SECTIONS F, G & I WITH ANCHORAGE TABLES
7	JAMB AND CORNER SECTIONS "J"
8	LOCK MALE & FEMALE SECTIONS "L"
9	LOCK UNIMATE SECTIONS "M"
10	STANDARD LOCK SECTIONS "N"
11	BILL OF MATERIALS, ANCHOR SCHEDULE & BLADE ASSEMBLY.
12	COMPONENTS
13	SECTION "X" DETAILS

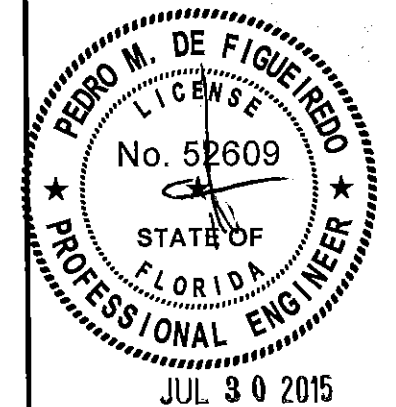
MANUFACTURER:
JUST SHUTTER IT INC

1341 SW S. MACEDO BLVD
PORT ST. LUCIE
FLORIDA 34983
Tel.: (772) 201-9919
Fax: (772) 673-0588
WWW.JUSTSHUTTERIT.COM

PRODUCT:

SUPERNOVA
EXTRUDED ALUMINUM
ACCORDION SHUTTER
LARGE & SMALL
IMPACTED RATED

ENGINEERING:
ENGCO INC. CA 8116
5595 ORANGE DR. 201
DAVIE, FL. 33314
Tel.: (954) 585-0304
ENGCO@AOL.COM



Engineer Seal
Pedro De Figueiredo - PE 52609

MIAMI DADE APPROVAL:

PRODUCT REVISED
as complying with the Florida
Building Code
Acceptance No 15-0513.03
Expiration Date 08/14/2019
By *[Signature]*
Miami Dade Product Control

DATE: 04/07/2015
SCALE: NA
DESIGN BY: PPMF

SHEET 1 OF 13 DRAWING #: 15-146

MANUFACTURER:

JUST SHUTTER IT INC

1341 SW S. MACEDO BLVD
 PORT ST. LUCIE
 FLORIDA 34983
 Tel.: (772) 201-9919
 Fax: (772) 673-0588
 WWW.JUSTSHUTTERIT.COM

PRODUCT:

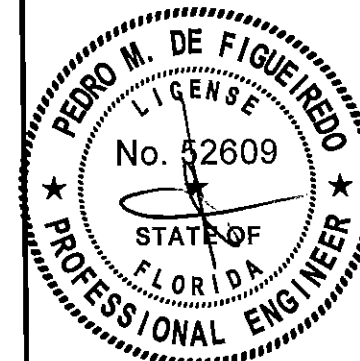
SUPERNOVA

EXTRUDED ALUMINUM
 ACCORDION SHUTTER
 LARGE & SMALL
 IMPACTED RATED

ENGINEERING:

ENGCO INC. CA 8116

5595 ORANGE DR. 201
 DAVIE, FL. 33314
 Tel.: (954) 585-0304
 ENGCO@AOL.COM



JUL 30 2015

Engineer Seal
 Pedro De Figueiredo - PE 52609

MIAMI DADE APPROVAL:

PRODUCT REVISED
 as complying with the Florida
 Building Code
 Acceptance No 15-0513.03
 Expiration Date 02/14/2019

By *[Signature]*
 Miami Dade Product Control

DATE: 04/07/2015
 SCALE: NA
 DESIGN BY: PPMF

SHEET
 2 OF 13

DRAWING #:
 15-146

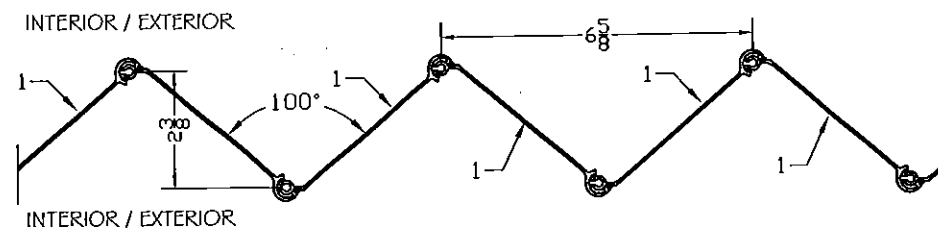
TABLE I
 MAXIMUM ALLOWABLE #1 BLADE
 SHUTTER SPAN X PRESSURE

BLADE SPAN INCHES	PRESSURE (PSF)	
	POS	NEG
60	160	160
66	158	158
72	144	144
78	133	133
84	124	124
90	116	116
96	108	108
104	100	100
108	93	93
114	83	83
120	75	75
126	68	68
132	62	62
138	57	57
144	48	52
150	41	48
162	30	40

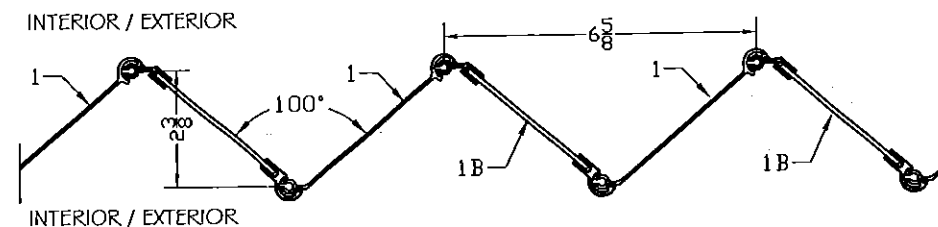
TABLE 1A
 MAXIMUM ALLOWABLE #1 & #1B BLADES
 SHUTTER SPAN X PRESSURE

BLADE SPAN INCHES	PRESSURE (PSF)	
	POS	NEG
60	160	160
66	158	158
72	144	144
78	133	133
84	124	124
90	116	116
96	108	108
104	100	100
108	93	93
114	83	83
120	75	75
126	68	68
132	61	61
138	53	53
144	45	47
150	38	42
162	28	33

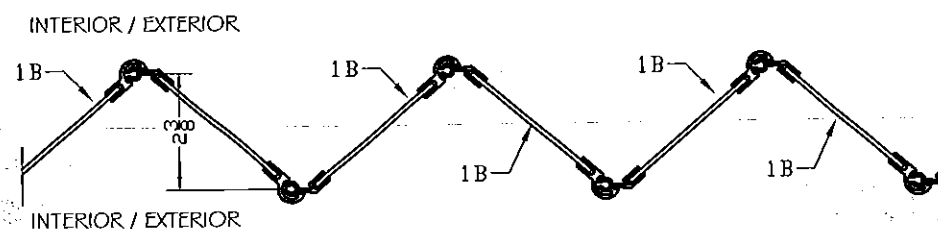
- NOTES:
 1- ACCORDION SHUTTER BLADE SPAN (INCHES) FOR ALL CONDITIONS
 2- PRESSURE - DESIGN WIND LOAD (PSF)
 3- LINEAR INTERPOLATION IS ACCEPTABLE FOR DESIGN WIND LOADS AND BLADE SPAN BETWEEN TABULATED VALUES.
 4- USE TABLE 1A WHEN ONE OR MORE TYPE 1B BLADE IS USED
 5- BLADE REVERSED INSTALLATION IS ALLOWED FOR ALL MOUNTED CONDITIONS



ALL ALUMINUM BLADES



COMBINATION
 ALUMINUM / LEXAN BLADES
 BLADES CAN BE ARRANGED IN MANY
 COMBINATIONS AS REQUIRED



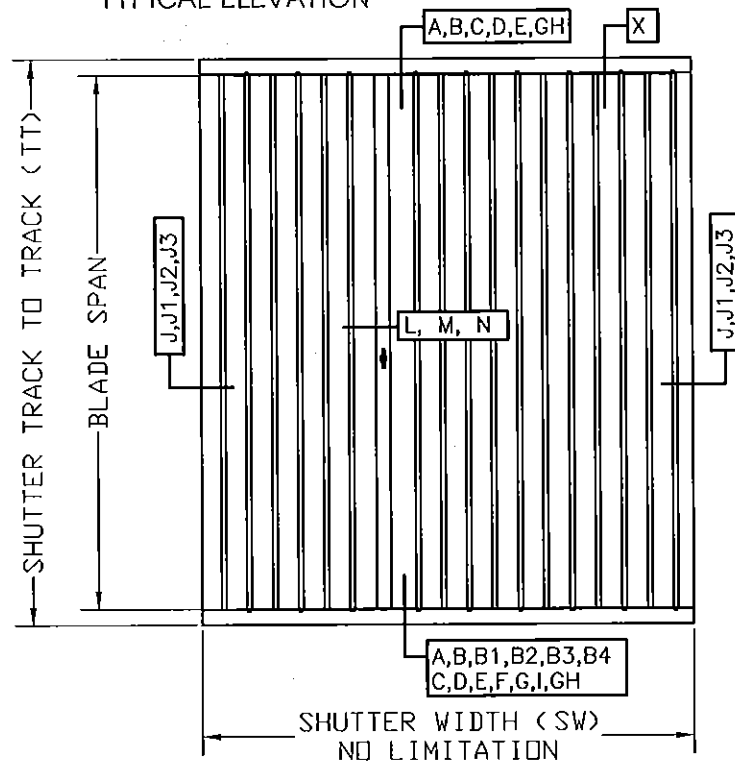
ALL LEXAN BLADES

TABLE 2
 MINIMUM SHUTTER SEPARATION FROM GLAZING

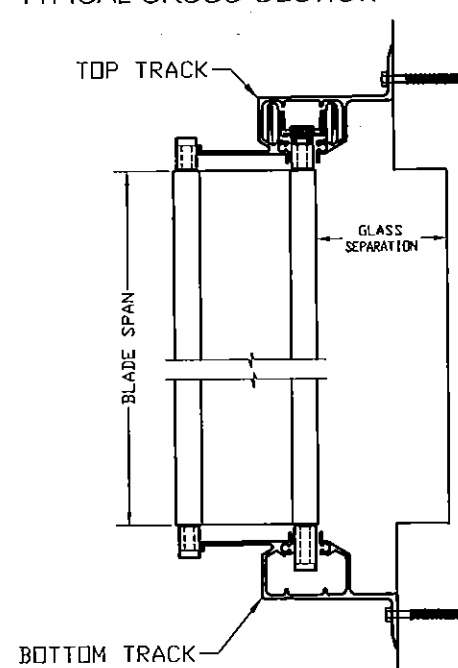
BLADE TYPE	GLAZING SEPARATION (INCHES)		
	BLADE SPAN		
	<=60"	<=104"	<=162"
ALUMINUM ALL ELEVATIONS	2"	2 3/4"	3.125"
LEXAN <=30' ELEVATION	3"	3"	3"
LEXAN >30' ELEVATION	2 1/8"	3"	3"

NOTES:
 1- SEPARATION FROM GLAZING AREAS SHALL BE MEASURED FROM GLAZING SURFACE TO THE INNER MOST BLADE OR LOCK SURFACE.
 2- GLASS SEPARATION IS APPLICABLE PER THE HVHZ (BROWARD AND MIAMI-DADE COUNTIES).
 3- WHEN SHUTTER IS ASSEMBLED WITH BOTH TYPES OF BLADES THE LARGEST GLASS SEPARATION SHALL APPLY.

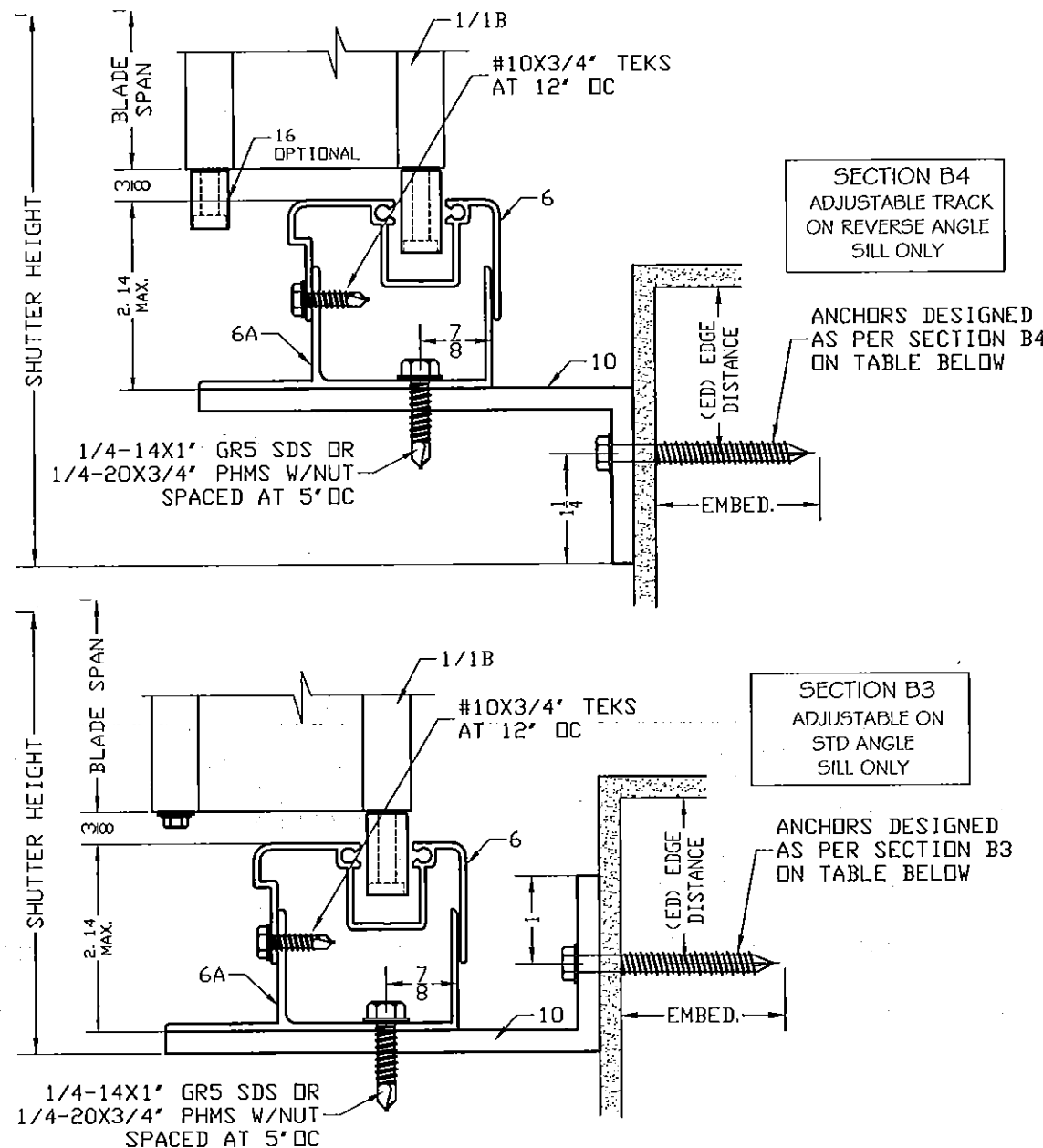
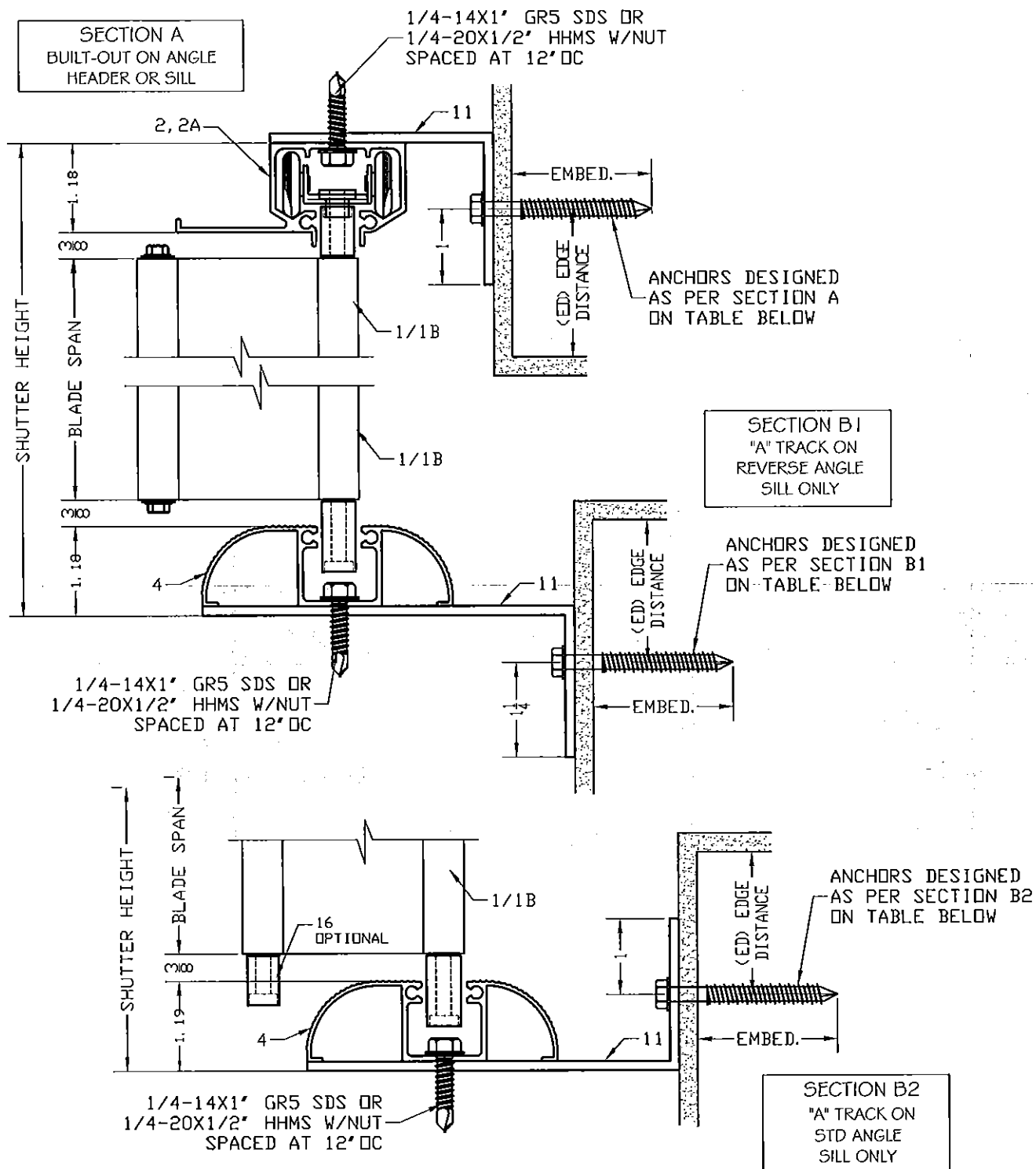
TYPICAL ELEVATION



TYPICAL CROSS SECTION



TYPICAL SECTIONS A, B1, B2, B3, B4
AND ANCHOR SCHEDULE



MAX. BLADE SPAN IN INCHES
SEE ANCHOR SCHEDULE ON
SHEET 11 FOR ANCHOR TYPE
ANCHORAGE SPACING

SECTIONS A, B1, B2 B3, B4	MAXIMUM ANCHORAGE PRESSURE (PSF) BASED ON SPACING IN INCHES ON CENTER														
	162			132			108			84			60		
	S	E	E1	E	E1	E	E1	E	E1	E	E1	E	E1	E	E1
14	40	31	62	38	93	46	124	60	160	84					
12	40	36	62	44	93	54	160	70	160	98					
8	40	40	62	62	93	81	124	105	160	146					
6	40	40	62	62	93	93	124	124	160	160					
4	40	40	62	62	93	93	124	124	160	160					

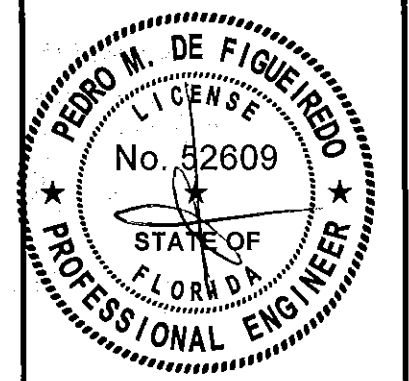
MAX. BLADE SPAN IN INCHES
SEE ANCHOR SCHEDULE ON
SHEET 11 FOR ANCHOR TYPE
ANCHORAGE SPACING

SECTIONS A, B1, B2 B3, B4	MAXIMUM ANCHORAGE PRESSURE (PSF) BASED ON SPACING IN INCHES ON CENTER																														
	162						132						108						84						60						
	S	A	A1	B	B1	C	D	A	A1	B	B1	C	D	A	A1	B	B1	C	D	A	A1	B	B1	C	D	A	A1	B	B1	C	D
14	40	--	40	40	40	40	62	--	62	49	62	49	90	22	93	60	92	60	116	29	124	77	118	77	160	40	160	108	160	107	
12	40	--	40	40	40	40	62	21	62	57	62	57	93	26	93	70	93	70	124	34	124	90	124	89	160	47	160	126	160	125	
8	40	26	40	40	40	40	62	32	62	62	62	62	93	39	93	93	93	93	124	51	124	124	124	124	160	71	160	160	160	160	
6	40	35	40	40	40	40	62	43	62	62	62	62	93	52	93	93	93	93	124	67	124	124	124	124	160	94	160	160	160	160	
4	40	40	40	40	40	40	62	62	62	62	62	62	93	79	93	93	93	93	124	101	124	124	124	124	160	142	160	160	160	160	

MANUFACTURER:
JUST SHUTTER IT INC
1341 SW S. MACEDO BLVD
PORT ST. LUCIE
FLORIDA 34983
Tel.: (772) 201-9919
Fax: (772) 673-0588
WWW.JUSTSHUTTERIT.COM

PRODUCT:
SUPERNOVA
EXTRUDED ALUMINUM
ACCORDION SHUTTER
LARGE & SMALL
IMPACTED RATED

ENGINEERING:
ENGCO INC. CA 8116
5595 ORANGE DR. 201
DAVIE, FL. 33314
Tel.: (954) 585-0304
ENGCO@AOL.COM



JUL 30 2015
Engineer Seal
Pedro De Figueiredo - PE 52609

MIAMI DADE APPROVAL:
PRODUCT REVISED
as complying with the Florida
Building Code
Acceptance No 15-0513.03
Expiration Date 08/14/2019
By *[Signature]*
Miami Dade Product Control

DATE: 04/07/2015
SCALE: NA
DESIGN BY: PPMF

SHEET 3 OF 13
DRAWING #: 15-146

TYPICAL SECTIONS B AND C
AND ANCHOR SCHEDULE

MANUFACTURER:

JUST SHUTTER IT INC

1341 SW S. MACEDO BLVD
PORT ST. LUCIE
FLORIDA 34983
Tel.: (772) 201-9919
Fax: (772) 673-0588
WWW.JUSTSHUTTERIT.COM

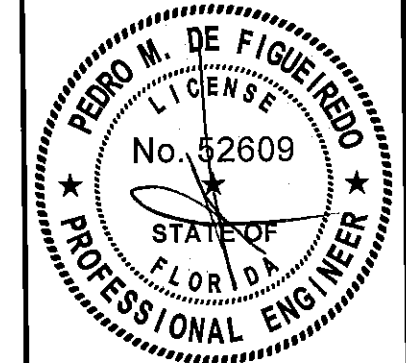
PRODUCT:

SUPERNOVA
EXTRUDED ALUMINUM
ACCORDION SHUTTER
LARGE & SMALL
IMPACTED RATED

ENGINEERING:

ENGCO INC. CA 8116

5595 ORANGE DR. 201
DAVIE, FL. 33314
Tel.: (954) 585-0304
ENGCO@AOL.COM



JUL 30 2015

Engineer Seal
Pedro De Figueiredo - PE 52609

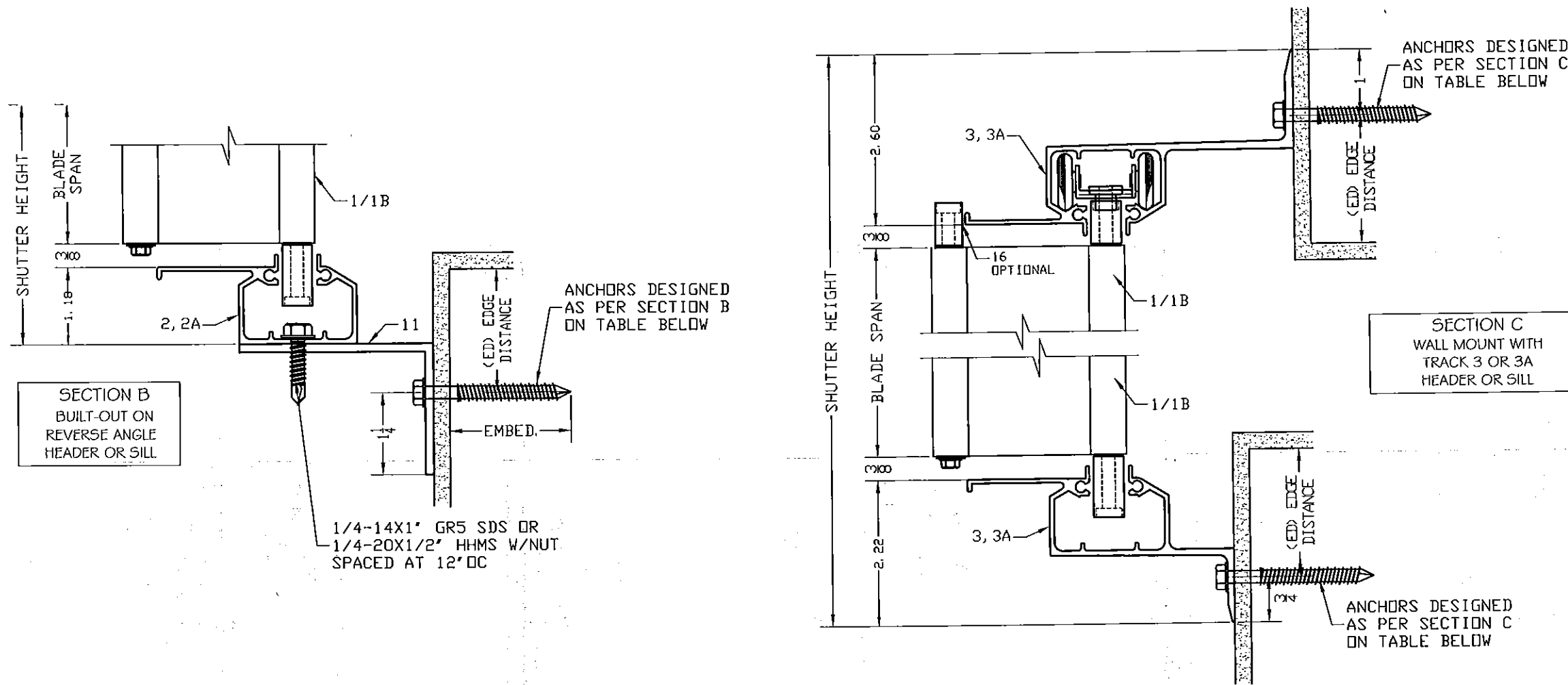
MIAMI DADE APPROVAL:

PRODUCT REVISED
as complying with the Florida
Building Code
Acceptance No 15-0513.03
Expiration Date 08/14/2019
By *Healy J. Miller*
Miami Dade Product Control

DATE: 04/07/2015
SCALE: NA
DESIGN BY: PPMF

SHEET
4 OF 13

DRAWING #:
15-146



MAX. BLADE SPAN IN INCHES

SEE ANCHOR SCHEDULE ON
SHEET 11 FOR ANCHOR TYPE

ANCHORAGE SPACING

MAXIMUM ANCHORAGE PRESSURE (PSF) BASED ON SPACING IN INCHES ON CENTER

SECTIONS B & C	S	162						132						108						84						60					
		A	A1	B	B1	C	D	A	A1	B	B1	C	D	A	A1	B	B1	C	D	A	A1	B	B1	C	D	A	A1	B	B1	C	D
14	40	--	40	40	40	40	62	18	62	49	62	49	81	22	86	60	81	60	104	29	110	77	104	77	145	40	155	108	146	107	
12	40	--	40	40	40	40	62	21	62	57	62	57	87	26	93	70	87	70	111	34	119	90	112	89	156	47	160	126	157	125	
8	40	26	40	40	40	40	62	32	62	62	62	62	93	39	93	87	93	86	124	51	124	111	124	111	160	71	160	156	160	155	
6	40	35	40	40	40	40	62	43	62	62	62	62	93	52	93	93	93	93	124	67	124	124	124	124	160	94	160	160	160	160	
4	40	40	40	40	40	40	62	62	62	62	62	62	93	76	93	93	93	93	124	98	124	124	124	124	160	137	160	160	160	160	

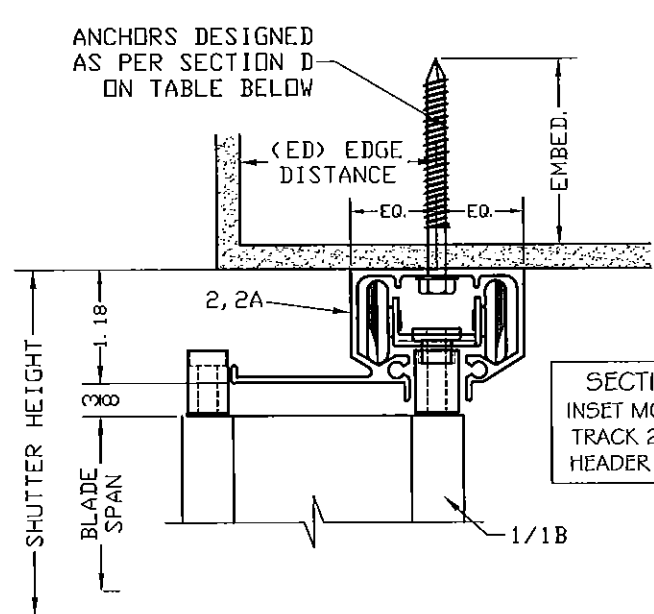
MAX. BLADE SPAN IN INCHES

SEE ANCHOR SCHEDULE ON
SHEET 11 FOR ANCHOR TYPE

ANCHORAGE SPACING

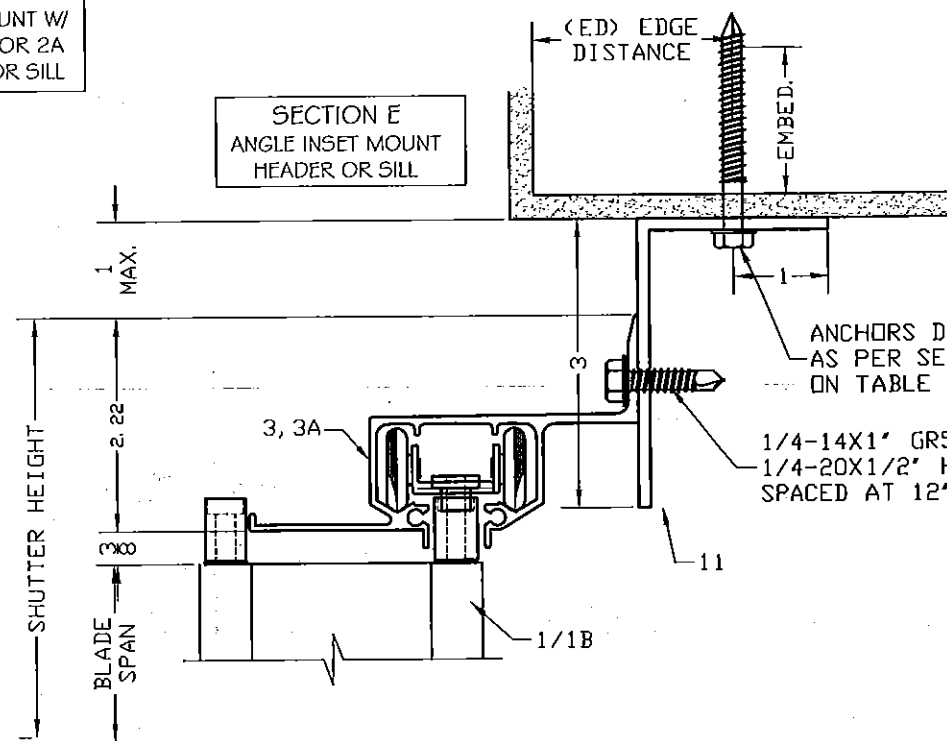
MAXIMUM ANCHORAGE PRESSURE (PSF)
BASED ON SPACING IN INCHES ON CENTER

SECTIONS B & C	S	162		132		108		84		60	
		E	E1	E	E1	E	E1	E	E1	E	E1
14	40	31	62	38	87	46	112	60	157	84	
12	40	36	62	44	93	54	121	70	160	98	
8	40	40	62	62	93	77	124	99	160	138	
6	40	40	62	62	93	88	124	113	160	158	
4	40	40	62	62	93	84	124	108	160	151	



SECTION D
INSET MOUNT W/
TRACK 2 OR 2A
HEADER OR SILL

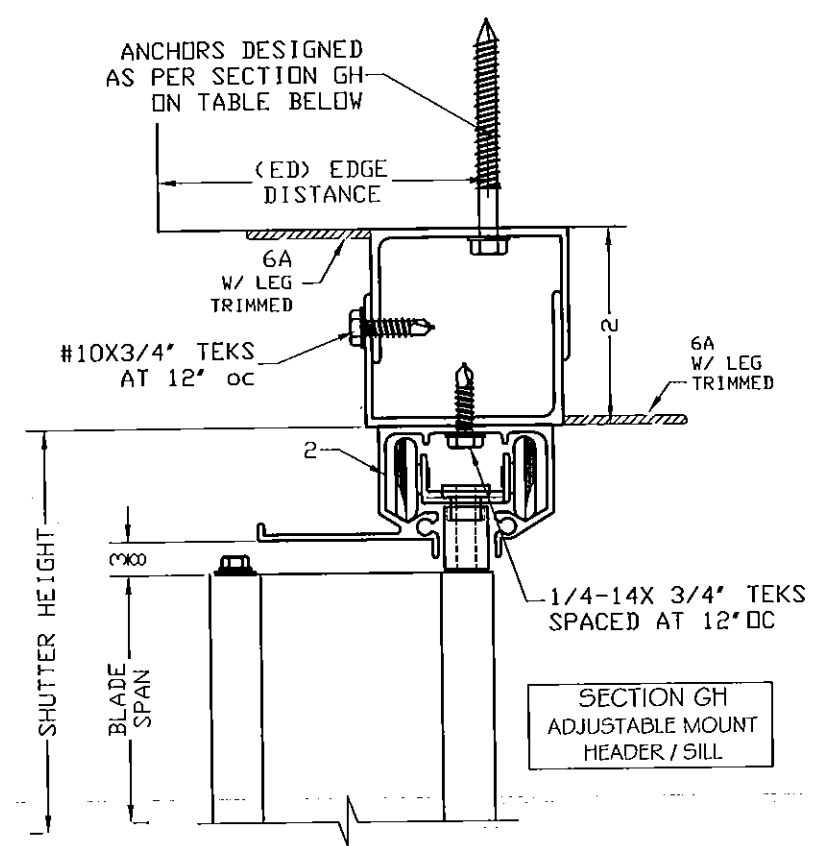
TYPICAL SECTIONS D, E & GH
AND ANCHOR SCHEDULE



SECTION E
ANGLE INSET MOUNT
HEADER OR SILL

ANCHORS DESIGNED
AS PER SECTION E
ON TABLE BELOW

1/4-14X1' GR5 SDS OR
1/4-20X1/2' HHMS W/NUT
SPACED AT 12" OC



SECTION GH
ADJUSTABLE MOUNT
HEADER / SILL

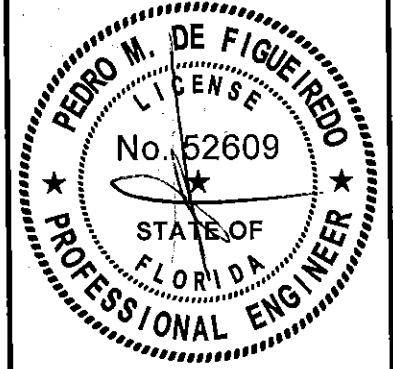
MAX. BLADE SPAN IN INCHES
SEE ANCHOR SCHEDULE ON
SHEET 11 FOR ANCHOR TYPE

ANCHORAGE SPACING	MAXIMUM ANCHORAGE PRESSURE (PSF) BASED ON SPACING IN INCHES ON CENTER																										
	162				132				108				84				60				162	132	108	84	60		
	S	A	B	C	D	A	B	C	D	A	B	C	D	A	B	C	D	A	B	C	D	S	E	E	E	E	E
SECTION D	16	22	27	--	--	27	33	--	20	34	40	20	24	43	52	25	31	60	72	36	43	16	28	34	41	53	74
	12	30	36	--	21	37	44	22	26	45	54	26	32	58	69	34	41	81	97	48	57	12	37	45	55	71	99
	8	40	40	26	32	55	62	32	39	67	80	40	48	86	103	51	61	121	145	71	86	8	40	62	83	106	149
	6	40	40	35	40	62	62	43	52	90	93	53	64	115	124	68	82	160	160	95	115	6	40	62	93	124	160
	4	40	40	40	40	62	62	62	62	93	93	79	93	124	124	102	123	160	160	143	160	4	40	62	93	124	160
SECTION E	11	--	22	--	--	22	26	--	--	27	32	20	--	35	41	26	24	49	58	36	34	11	22	27	33	43	60
	9	22	26	--	--	27	32	20	--	34	39	24	23	43	51	31	30	60	71	44	42	9	27	33	41	52	73
	8	25	30	--	--	31	36	22	21	38	44	27	26	49	57	35	33	68	80	49	47	8	30	37	46	59	82
	6	34	39	24	23	41	48	30	28	50	59	36	35	65	76	47	44	91	106	65	62	6	40	50	61	78	109
	4	40	40	36	35	62	62	45	42	76	89	55	52	97	114	70	67	136	160	98	93	4	40	52	64	82	115
SECTION GH	12	--	--	--	--	22	--	--	--	23	27	--	--	29	34	22	20	41	48	30	28	12	--	22	27	35	49
	9	20	24	--	--	25	29	--	--	30	36	23	21	39	46	29	27	55	64	41	37	9	24	30	37	47	66
	8	23	27	--	--	28	33	21	19	34	40	25	23	44	51	33	30	61	72	46	42	8	27	34	41	53	74
	6	30	36	23	21	37	44	28	25	46	53	34	31	59	69	43	40	82	96	61	56	6	37	45	55	71	99
	4	40	40	34	31	56	62	42	38	68	80	51	47	88	103	65	60	123	144	91	84	4	38	47	57	74	103

MANUFACTURER:
JUST SHUTTER IT INC
1341 SW S. MACEDO BLVD
PORT ST. LUCIE
FLORIDA 34983
Tel.: (772) 201-9919
Fax: (772) 673-0588
WWW.JUSTSHUTTERIT.COM

PRODUCT:
SUPERNOVA
EXTRUDED ALUMINUM
ACCORDION SHUTTER
LARGE & SMALL
IMPACTED RATED

ENGINEERING:
ENGCO INC. CA 8116
5595 ORANGE DR. 201
DAVIE, FL. 33314
Tel.: (954) 585-0304
ENGCO@AOL.COM



JUL 30 2015

Engineer Seal
Pedro De Figueiredo - PE 52609

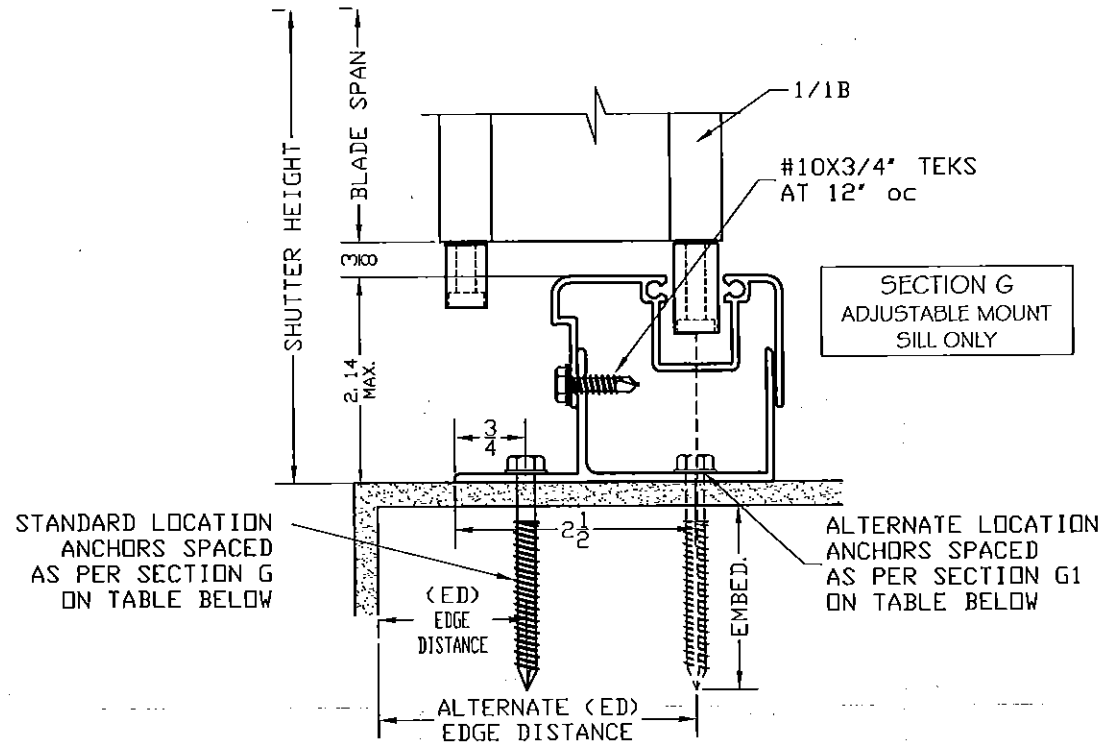
MIAMI DADE APPROVAL:

PRODUCT REVISED
as complying with the Florida
Building Code
Acceptance No 15-0513.03
Expiration Date 08/14/2019
By *Hedy A. Kuhn*
Miami Dade Product Control

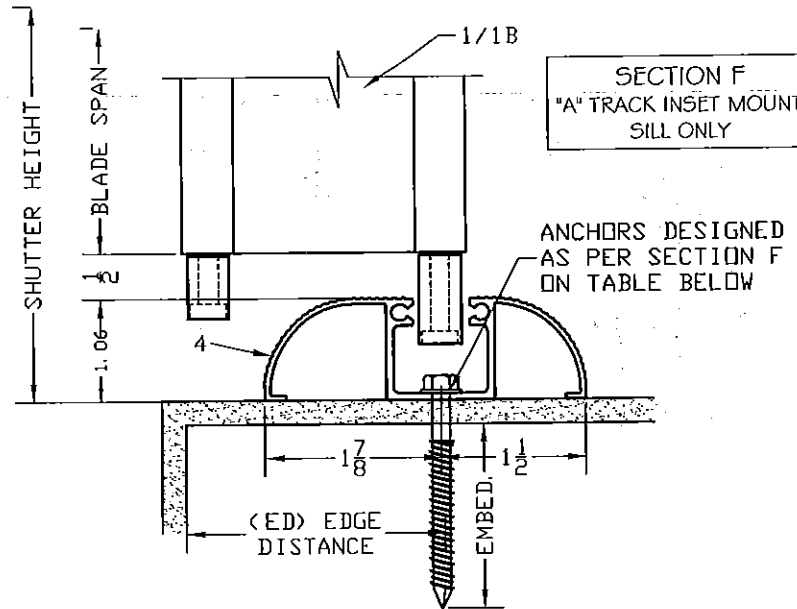
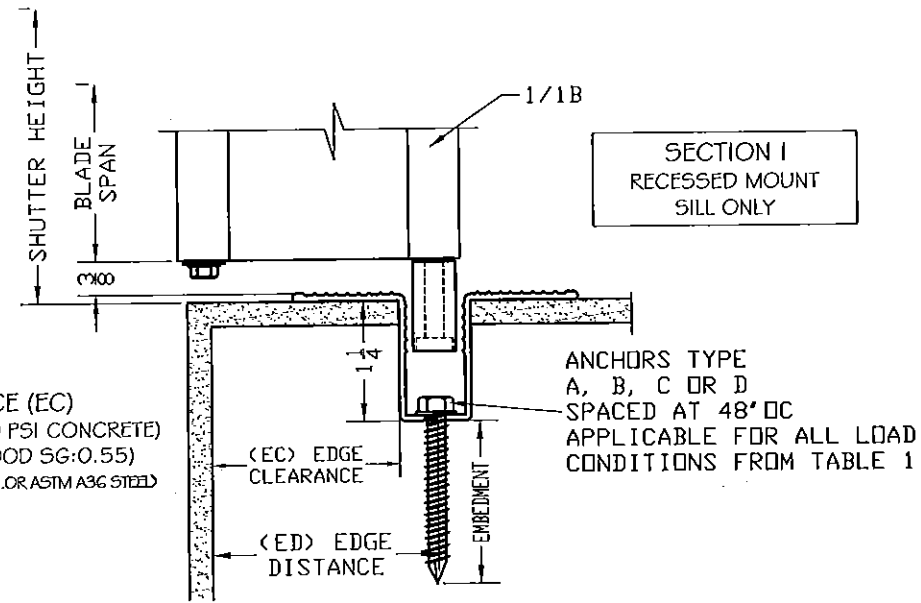
DATE: 04/07/2015
SCALE: NA
DESIGN BY: PPMF

SHEET 5 OF 13
DRAWING #: 15-146

TYPICAL SECTIONS G, F AND I
AND ANCHOR SCHEDULE



EDGE CLEARANCE (EC)
 INTO CONCRETE= 4" (3000 PSI CONCRETE)
 INTO WOOD= 2 1/2" (WOOD SG:0.55)
 INTO METAL: 2" (6063-T6 ALUM. OR ASTM A36 STEEL)



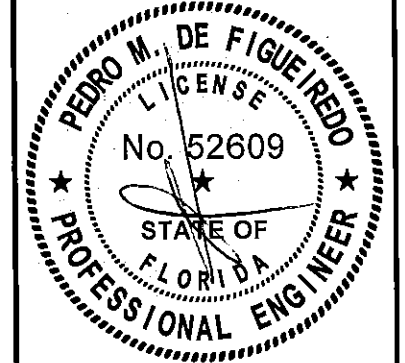
MAX. BLADE SPAN IN INCHES
 SEE ANCHOR SCHEDULE ON
 SHEET 11 FOR ANCHOR TYPE

ANCHORAGE SPACING		MAXIMUM ANCHORAGE PRESSURE (PSF) BASED ON SPACING IN INCHES ON CENTER																			
		162				132				108				84				60			
SECTION	SPACING	A	B	C	D	A	B	C	D	A	B	C	D	A	B	C	D	A	B	C	D
SECTION G	5	---	---	---	---	---	20	---	---	21	25	---	---	27	32	---	---	38	45	27	26
	16	---	---	---	---	---	20	---	---	21	25	---	---	27	32	---	---	38	45	27	26
	12	---	22	---	---	23	27	---	---	28	33	20	20	36	43	25	25	51	60	35	35
	8	28	33	20	20	35	41	24	24	42	50	30	29	54	64	38	38	76	90	53	53
	6	38	40	26	26	46	54	32	32	56	67	39	39	73	86	51	50	102	120	71	70
	4	40	40	39	39	62	62	48	48	85	93	59	59	109	124	76	75	153	160	106	105
SECTIONS G1 OR F	16	28	34	15	21	35	42	---	25	42	51	23	31	55	66	29	40	76	93	41	55
	12	38	40	20	27	46	56	25	34	57	69	30	41	73	88	39	53	102	123	54	74
	8	40	40	30	40	62	62	37	50	85	93	45	62	109	124	58	79	153	160	81	111
	6	40	40	40	40	62	62	49	62	93	93	60	82	124	124	77	106	160	160	108	148
	4	40	40	40	40	62	62	62	62	93	93	90	93	124	124	116	124	160	160	160	160

MANUFACTURER:
JUST SHUTTER IT INC
 1341 SW S. MACEDO BLVD
 PORT ST. LUCIE
 FLORIDA 34983
 Tel.: (772) 201-9919
 Fax: (772) 673-0588
 WWW.JUSTSHUTTERIT.COM

PRODUCT:
SUPERNOVA
 EXTRUDED ALUMINUM
 ACCORDION SHUTTER
 LARGE & SMALL
 IMPACTED RATED

ENGINEERING:
ENGCO INC. CA 8116
 5595 ORANGE DR. 201
 DAVIE, FL. 33314
 Tel.: (954) 585-0304
 ENGCO@AOL.COM



JUL 30 2015

Engineer Seal
 Pedro De Figueiredo - PE 52609

MIAMI DADE APPROVAL:

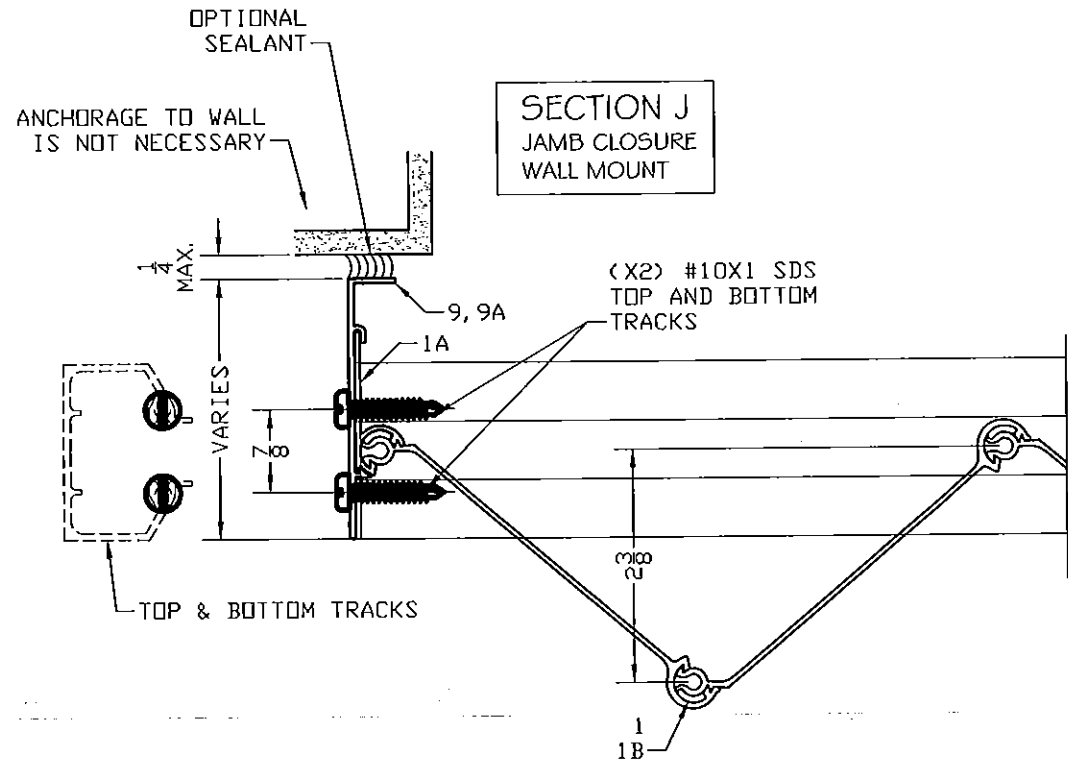
PRODUCT REVISED
 as complying with the Florida
 Building Code
 Acceptance No 15-0513.03
 Expiration Date 08/14/2019
 By *Helen A. Miller*
 Miami Dade Product Control

DATE: 04/07/2015
 SCALE: NA
 DESIGN BY: PPMF

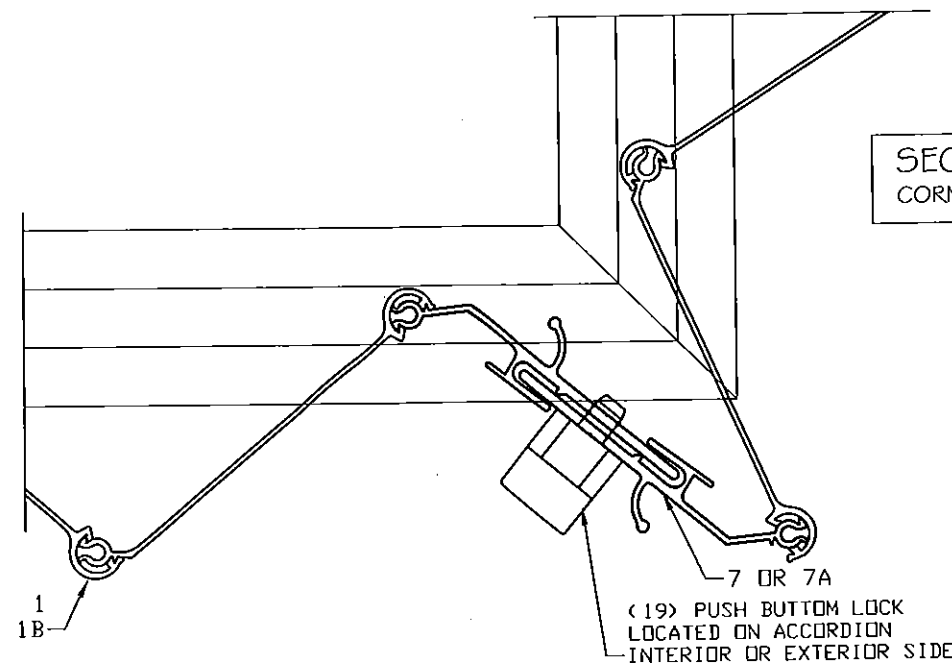
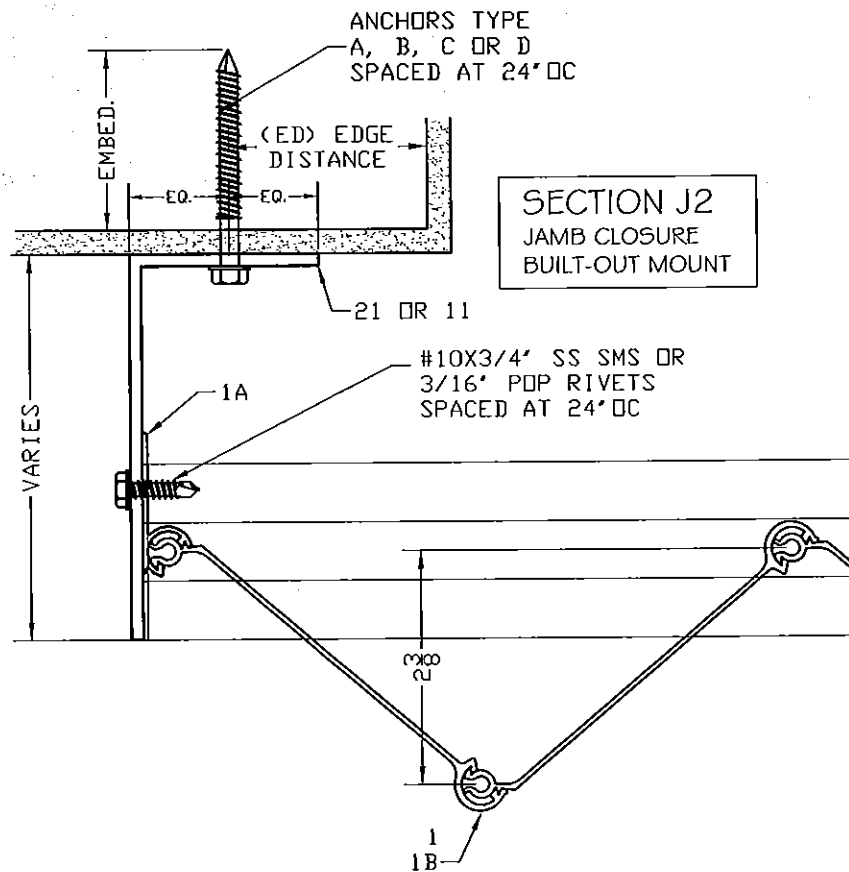
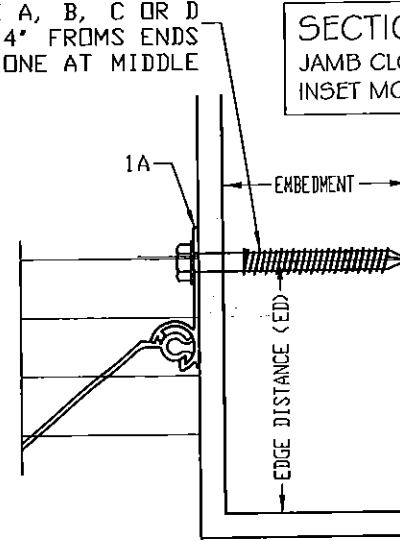
SHEET
 6 OF 13

DRAWING #:
 15-146

TYPICAL HORIZONTAL
JAMB AND CORNER SECTIONS J



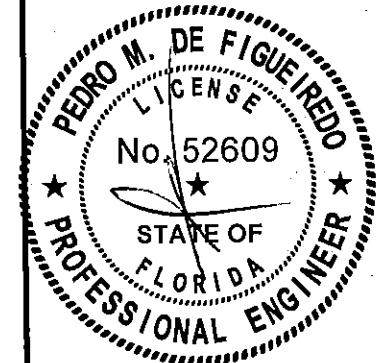
MIN. (3) ANCHORS
TYPE A, B, C OR D
4" FROMS ENDS
AND ONE AT MIDDLE



MANUFACTURER:
JUST SHUTTER IT INC
1341 SW 5. MACEDO BLVD
PORT ST. LUCIE
FLORIDA 34983
Tel.: (772) 201-9919
Fax: (772) 673-0588
WWW.JUSTSHUTTERIT.COM

PRODUCT:
SUPERNOVA
EXTRUDED ALUMINUM
ACCORDION SHUTTER
LARGE # SMALL
IMPACTED RATED

ENGINEERING:
ENGCO INC. CA 8116
5595 ORANGE DR. 201
DAVIE, FL. 33314
Tel.: (954) 585-0304
ENGCO@AOL.COM



JUL 30 2015

Engineer Seal
Pedro De Figueiredo - PE 52609

MIAMI DADE APPROVAL:

PRODUCT REVISED
as complying with the Florida
Building Code
Acceptance No 15-0513.03
Expiration Date 08/14/2019
By *[Signature]*
Miami Dade Product Control

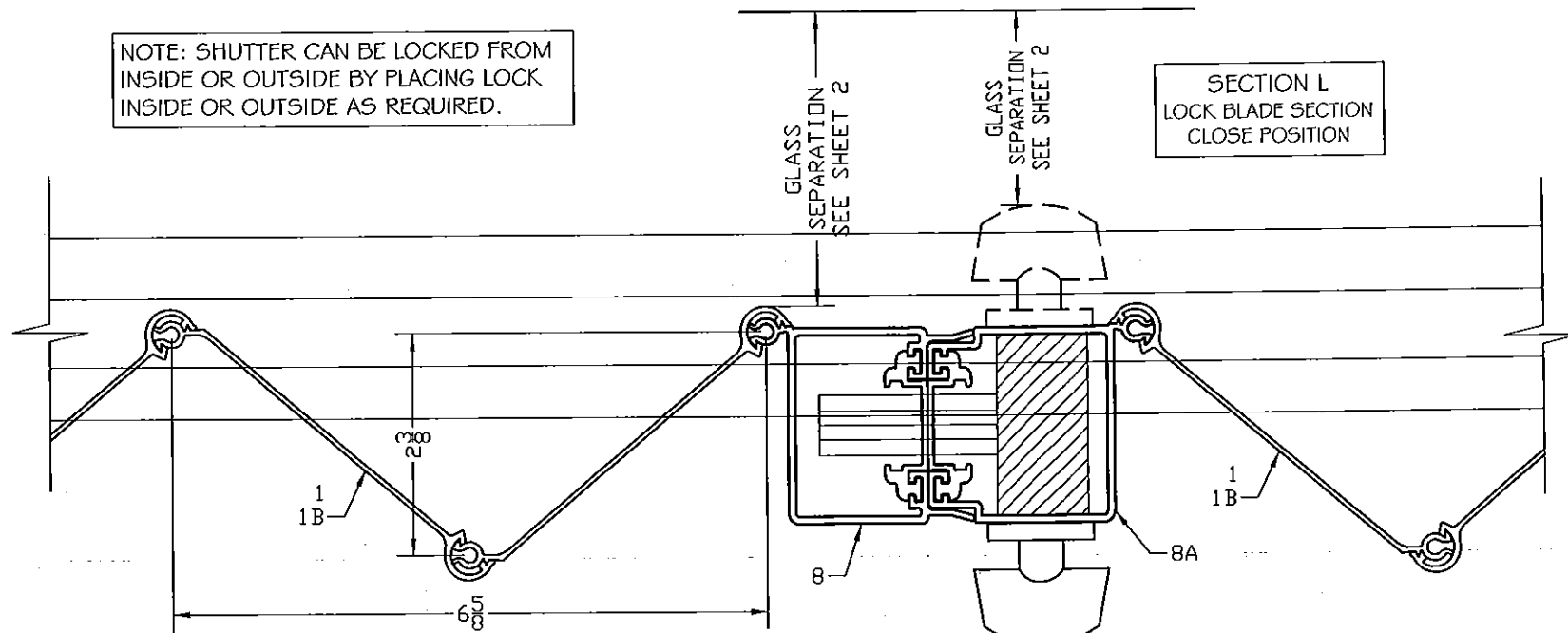
DATE: 04/07/2015
SCALE: NA
DESIGN BY: PPMF

SHEET
7 OF 13

DRAWING #:
15-146

TYPICAL HORIZONTAL SECTIONS
HD LOCK SECTIONS L

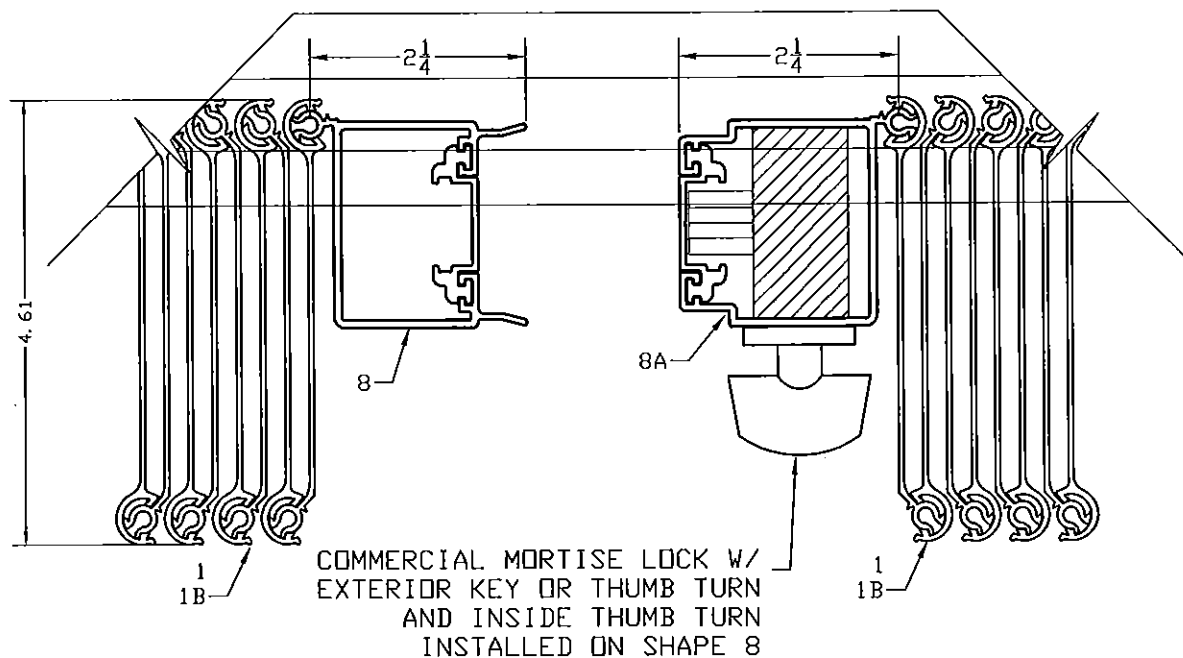
NOTE: SHUTTER CAN BE LOCKED FROM
INSIDE OR OUTSIDE BY PLACING LOCK
INSIDE OR OUTSIDE AS REQUIRED.



SECTION L
LOCK BLADE SECTION
CLOSE POSITION

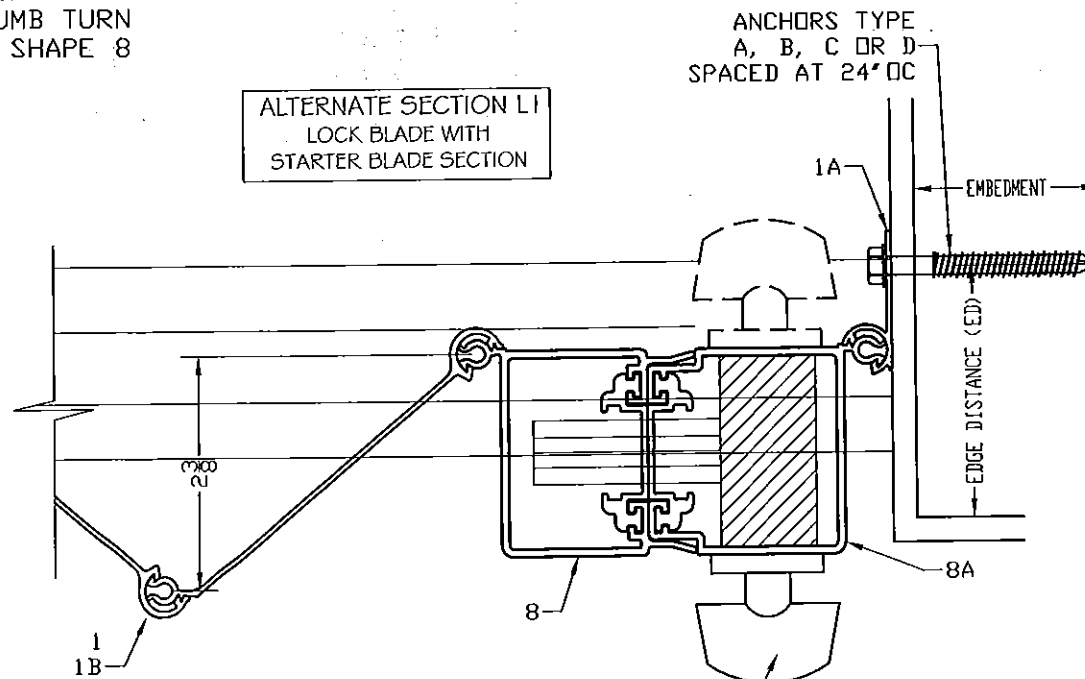
COMMERCIAL MORTISE LOCK W/
EXTERIOR KEY OR THUMB TURN
AND INSIDE THUMB TURN
INSTALLED ON SHAPE 8

SECTION L
LOCK BLADE SECTION
OPEN POSITION



COMMERCIAL MORTISE LOCK W/
EXTERIOR KEY OR THUMB TURN
AND INSIDE THUMB TURN
INSTALLED ON SHAPE 8

ALTERNATE SECTION L1
LOCK BLADE WITH
STARTER BLADE SECTION



ANCHORS TYPE
A, B, C OR D
SPACED AT 24" OC

COMMERCIAL MORTISE LOCK W/
EXTERIOR KEY OR THUMB TURN
AND INSIDE THUMB TURN
INSTALLED ON SHAPE 8

MANUFACTURER:

JUST SHUTTER IT INC

1341 SW S. MACEDO BLVD
PORT ST. LUCIE
FLORIDA 34983
Tel.: (772) 201-9919
Fax: (772) 673-0588
WWW.JUSTSHUTTERIT.COM

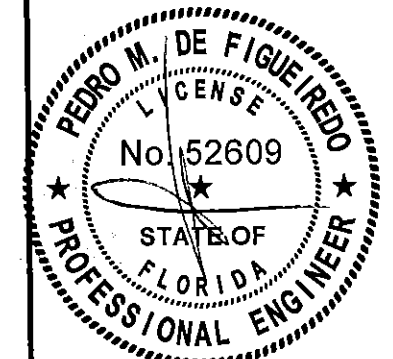
PRODUCT:

SUPERNOVA
EXTRUDED ALUMINUM
ACCORDION SHUTTER
LARGE & SMALL
IMPACTED RATED

ENGINEERING:

ENGCO INC. CA 8116

5595 ORANGE DR. 201
DAVIE, FL. 33314
Tel.: (954) 585-0304
ENGCO@AOL.COM



JUL 30 2015

Engineer Seal
Pedro De Figueiredo - PE 52609

MIAMI DADE APPROVAL:

PRODUCT REVISED
as complying with the Florida
Building Code
Acceptance No 15-0513.03
Expiration Date 08/14/2019
By *Heidi A. Miller*
Miami Dade Product Control

DATE: 04/07/2015
SCALE: NA
DESIGN BY: PPMF

SHEET
8 OF 13

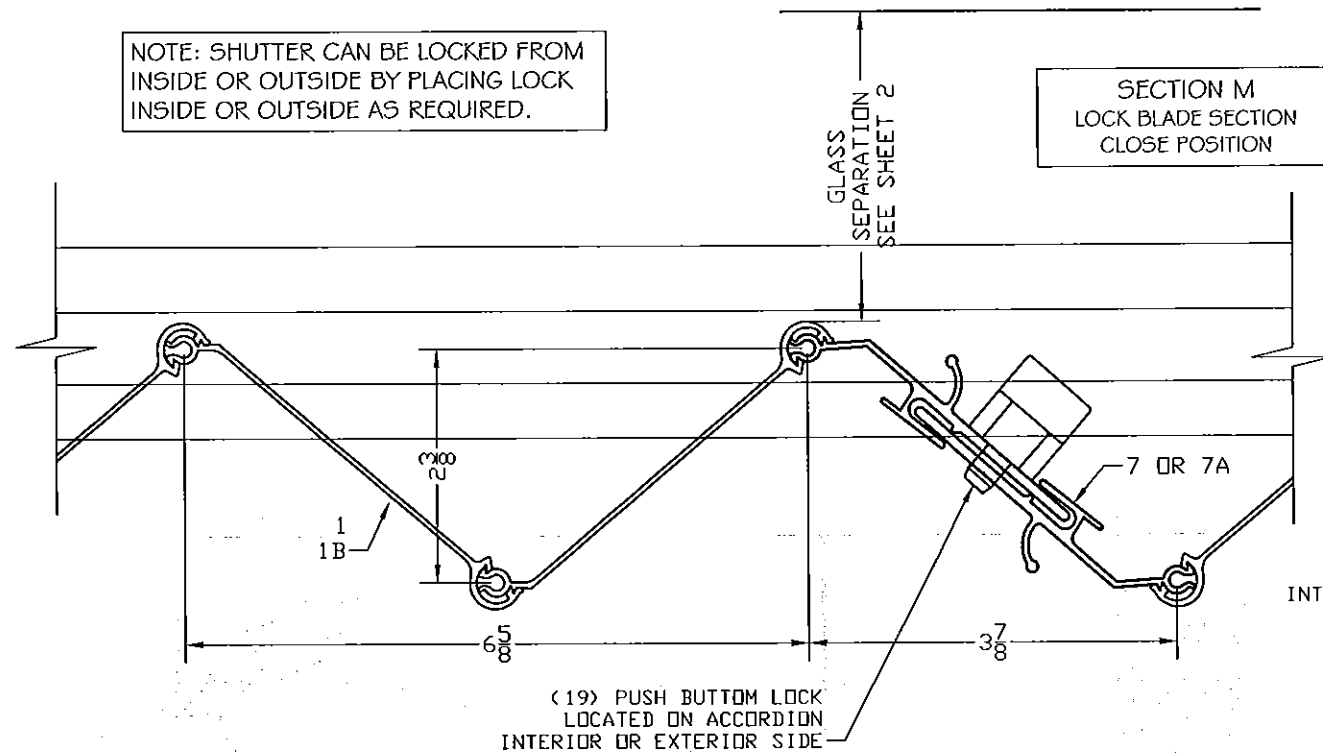
DRAWING #:
15-146

TYPICAL HORIZONTAL
UNIMATE LOCK SECTIONS M

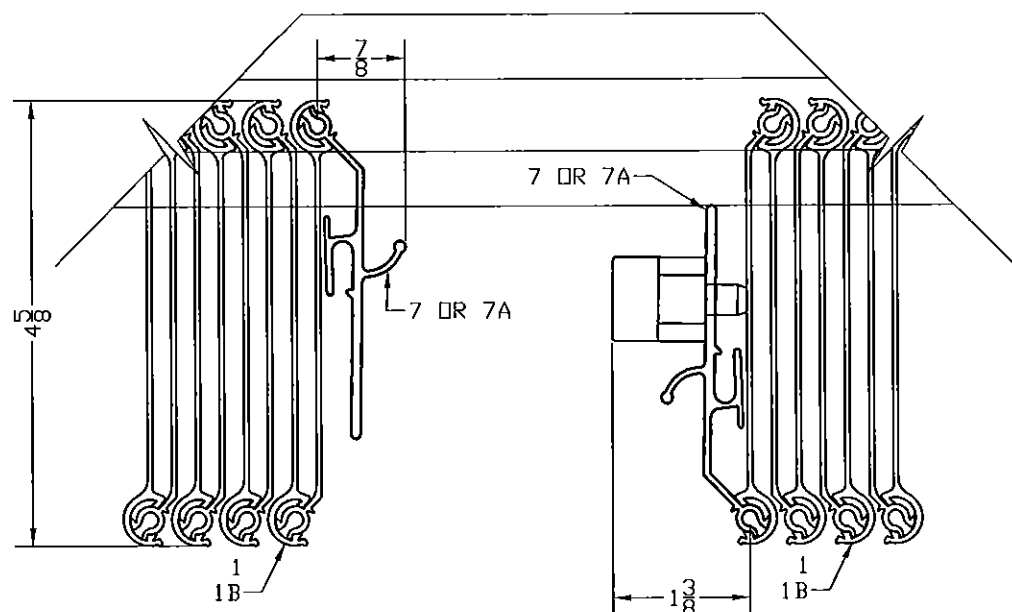
NOTE: SHUTTER CAN BE LOCKED FROM
INSIDE OR OUTSIDE BY PLACING LOCK
INSIDE OR OUTSIDE AS REQUIRED.

GLASS
SEPARATION
SEE SHEET 2

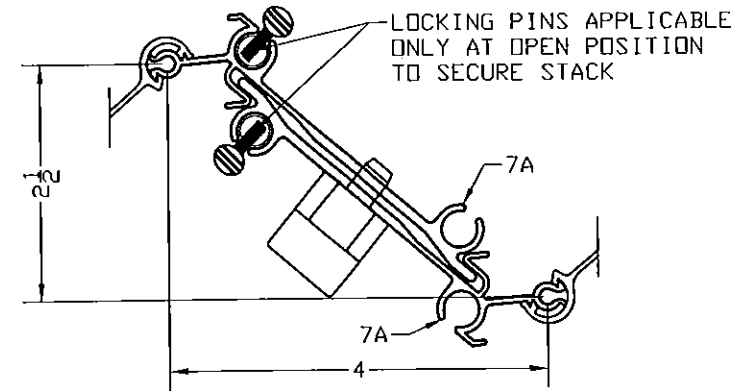
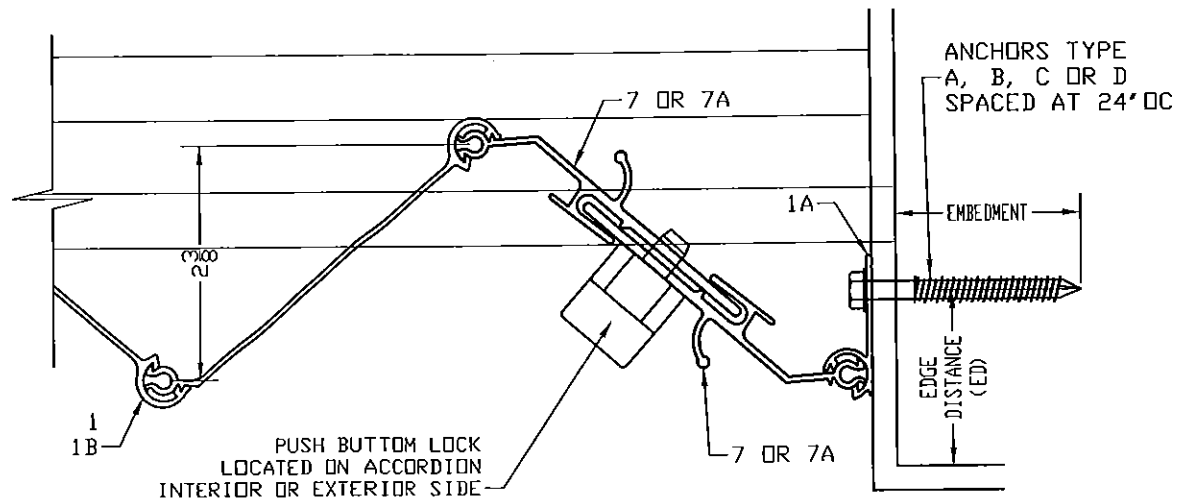
SECTION M
LOCK BLADE SECTION
CLOSE POSITION



SECTION M
LOCK BLADE SECTION
OPEN POSITION



ALTERNATE SECTION M I
LOCK BLADE WITH
STARTER BLADE SECTION



1/4-20X3/4" THUMB SCREW
LOCATED ON ACCORDION
INTERIOR OR EXTERIOR SIDE
DRILL AND TAP OPPOSITE
BLADE TO RECEIVE SCREW

1/4X1 1/2 PULL PIN
INSIDE OR OUTSIDE

ANCHORS TYPE
A, B, C OR D
SPACED AT 24" OC

MANUFACTURER:

JUST SHUTTER IT INC

1341 SW S. MACEDO BLVD
PORT ST. LUCIE
FLORIDA 34983
Tel.: (772) 201-9919
Fax: (772) 673-0588
WWW.JUSTSHUTTERIT.COM

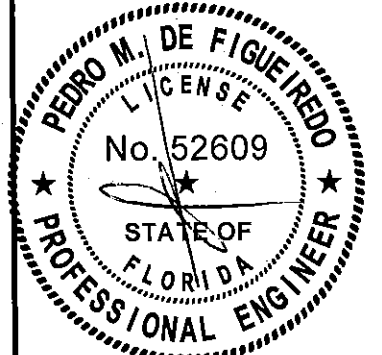
PRODUCT:

SUPERNOVA
EXTRUDED ALUMINUM
ACCORDION SHUTTER
LARGE & SMALL
IMPACTED RATED

ENGINEERING:

ENGCO INC. CA 8116

5595 ORANGE DR. 201
DAVIE, FL. 33314
Tel.: (954) 585-0304
ENGCO@AOL.COM



JUL 30 2015

Engineer Seal
Pedro De Figueiredo - PE 52609

MIAMI DADE APPROVAL:

PRODUCT REVISED
as complying with the Florida
Building Code
Acceptance No 15-0513.03
Expiration Date 08/14/2019

By *Heather A. Miller*
Miami Dade Product Control

DATE: 04/07/2015
SCALE: NA
DESIGN BY: PPMF

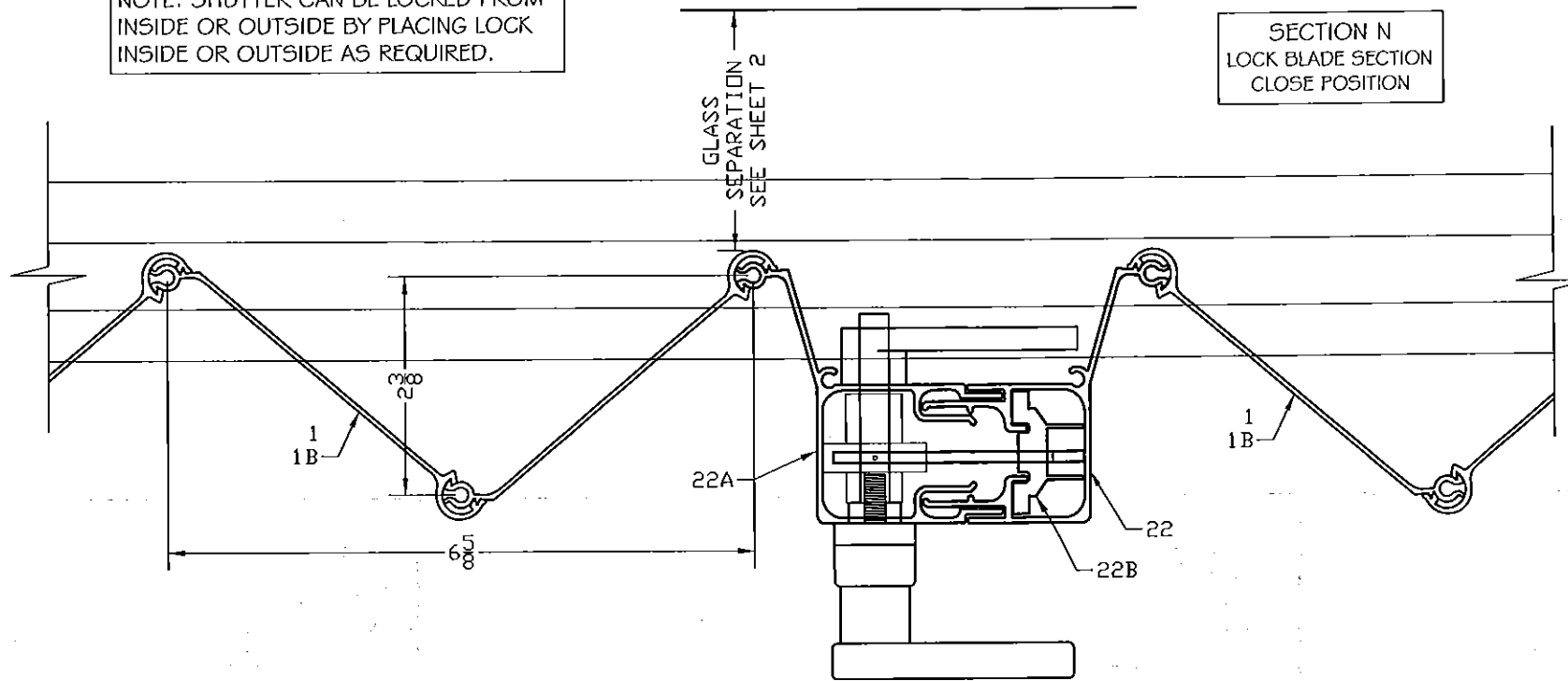
SHEET
9 OF 13

DRAWING #:
15-146

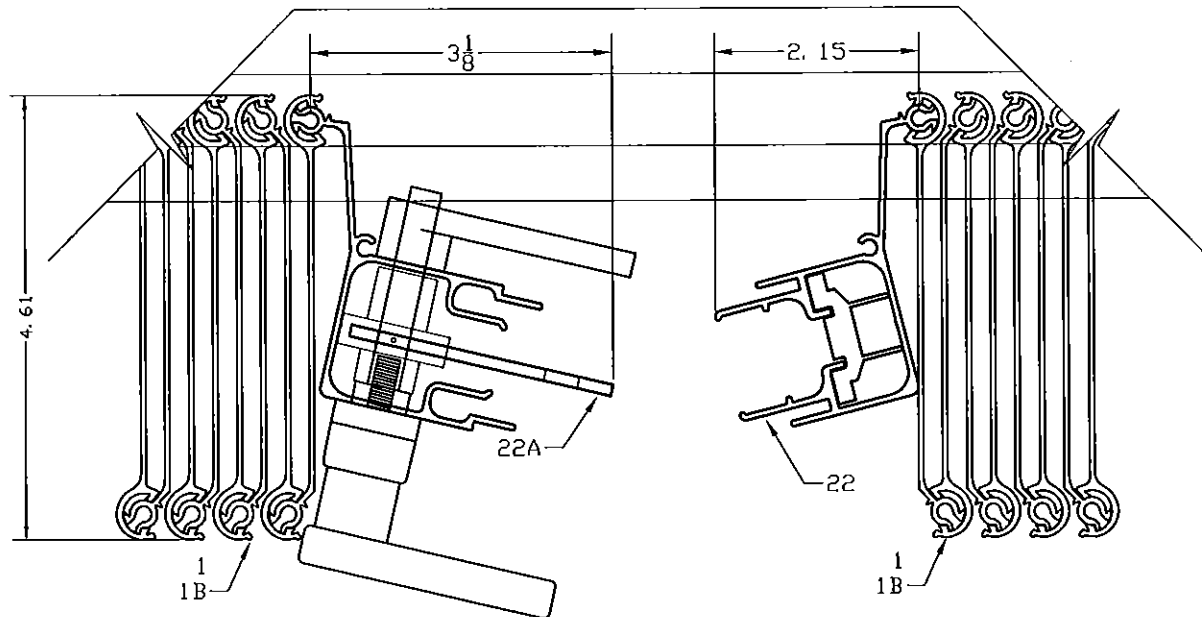
TYPICAL HORIZONTAL SECTIONS
STD LOCK SECTIONS N

NOTE: SHUTTER CAN BE LOCKED FROM
INSIDE OR OUTSIDE BY PLACING LOCK
INSIDE OR OUTSIDE AS REQUIRED.

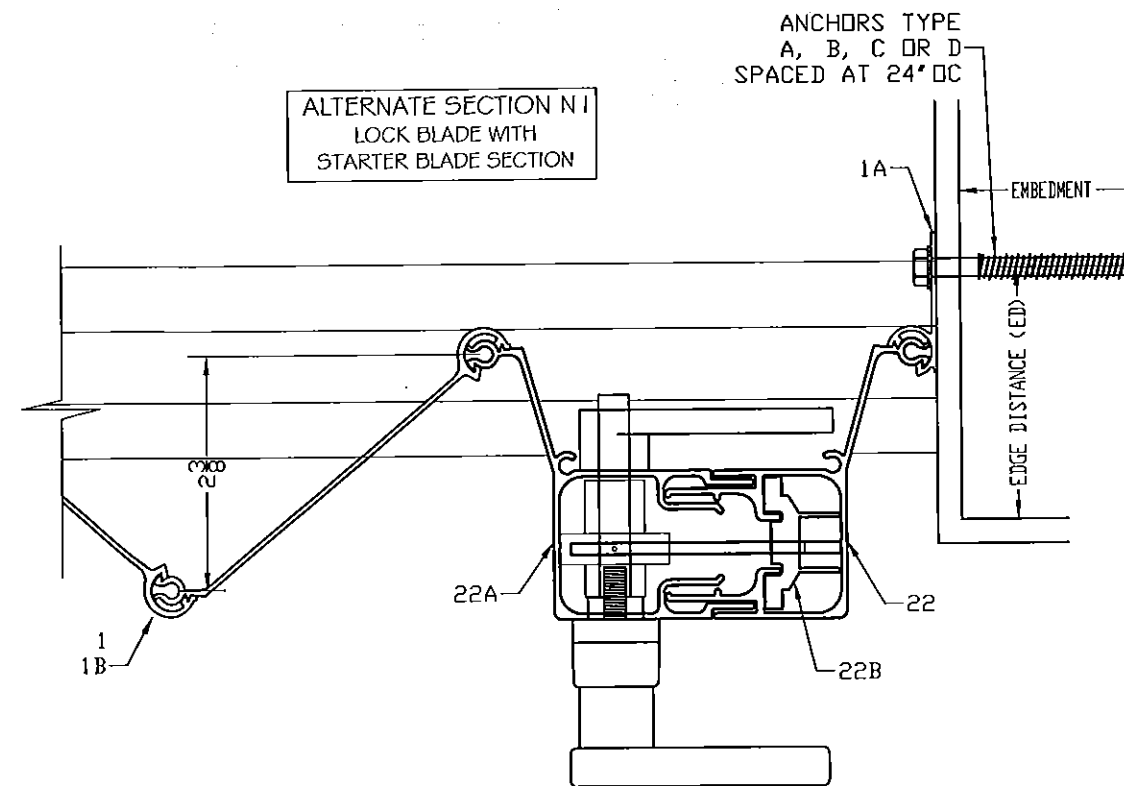
SECTION N
LOCK BLADE SECTION
CLOSE POSITION



SECTION N
LOCK BLADE SECTION
OPEN POSITION



ALTERNATE SECTION N I
LOCK BLADE WITH
STARTER BLADE SECTION



MANUFACTURER:

JUST SHUTTER IT INC

1341 SW S. MACEDO BLVD
PORT ST. LUCIE
FLORIDA 34983
Tel.: (772) 201-9919
Fax: (772) 673-0588
WWW.JUSTSHUTTERIT.COM

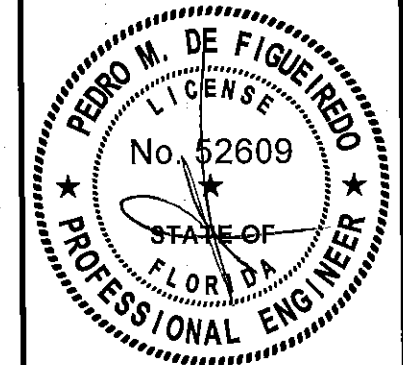
PRODUCT:

SUPERNOVA
EXTRUDED ALUMINUM
ACCORDION SHUTTER
LARGE & SMALL
IMPACTED RATED

ENGINEERING:

ENGCO INC. CA 8116

5595 ORANGE DR. 201
DAVIE, FL. 33314
Tel.: (954) 585-0304
ENGCO@AOL.COM



JUL 30 2015

Engineer Seal
Pedro De Figueiredo - PE 52609

MIAMI DADE APPROVAL:

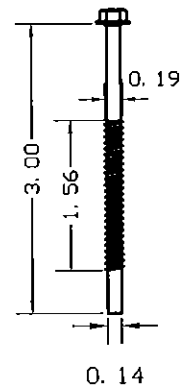
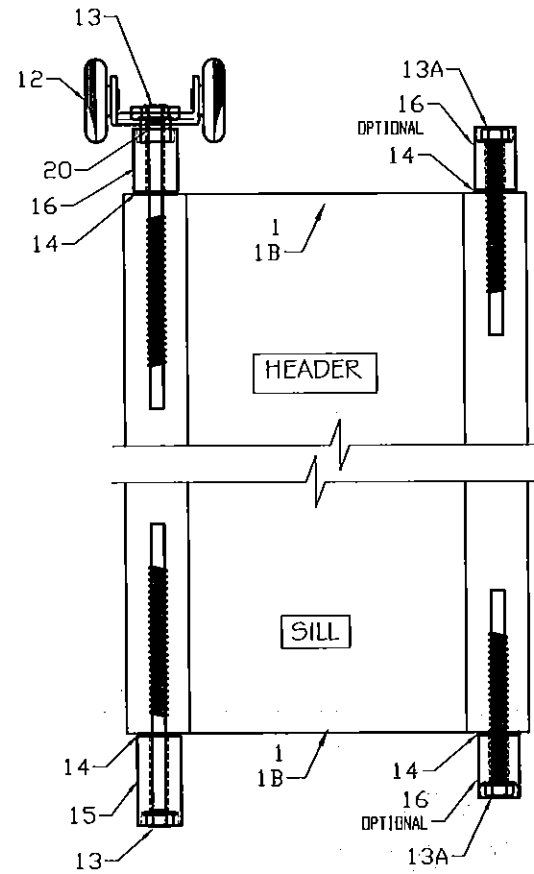
PRODUCT REVISED
as complying with the Florida
Building Code
Acceptance No 15-0513.03
Expiration Date 08/14/2019
By *Healy A. Miller*
Miami Dade Product Control

DATE: 04/07/2015
SCALE: NA
DESIGN BY: PPMF

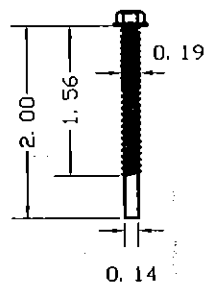
SHEET
10 OF 13

DRAWING #:
15-146

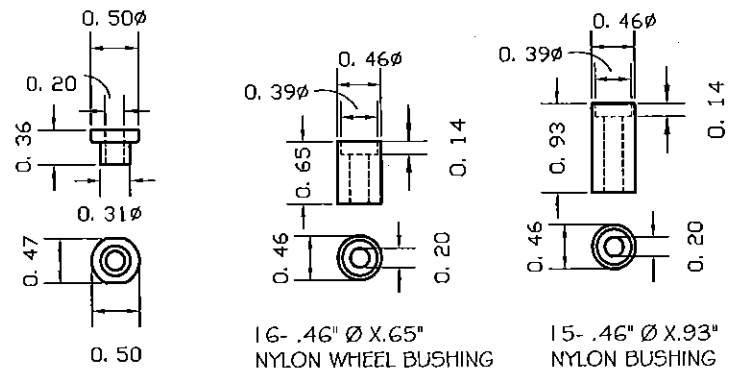
TYPICAL BLADE ASSEMBLY



13- #10X3" HH BLADE SCREW
410 STAINLESS STEEL



13A- #10X2" HH BLADE SCREW
410 STAINLESS STEEL

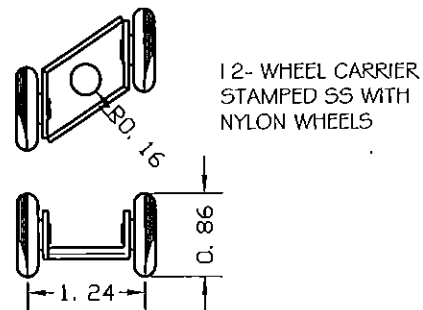


20- 1/2" Ø X 0.36" NYLON WHEEL SPACER

16- .46" Ø X .65" NYLON WHEEL BUSHING

15- .46" Ø X .93" NYLON BUSHING

14- 0.03" X 0.44" Ø STAINLESS STEEL FLAT WASHER



12- WHEEL CARRIER STAMPED SS WITH NYLON WHEELS

BILL OF MATERIALS

ITEM	DESCRIPTION	MATERIAL	MANUFACTURER
1	BLADE	6063-T6 ALUMINUM	N.A.S.A.
1A	STARTER BLADE	6063-T6 ALUMINUM	N.A.S.A.
1B	COMPOSITE BLADE	6063-T6 / LEXAN	N.A.S.A.
1C	FLOATING STACK BLADE	6063-T6 ALUMINUM	N.A.S.A.
2	CEILING TRACK	6063-T6 ALUMINUM	N.A.S.A.
3	1" / 1/2" WALL MOUNT TRACK	6063-T6 ALUMINUM	N.A.S.A.
3A	2" WALL MOUNT TRACK	6063-T6 ALUMINUM	N.A.S.A.
4	"A" TRACK	6063-T6 ALUMINUM	N.A.S.A.
5	RECESSED TRACK	6063-T6 ALUMINUM	N.A.S.A.
6	ADJUSTABLE FEMALE TRACK	6063-T6 ALUMINUM	N.A.S.A.
6A	ADJUSTABLE MALE TRACK	6063-T6 ALUMINUM	N.A.S.A.
7	UNIMATE LOCK BLADE W/O LP	6063-T6 ALUMINUM	N.A.S.A.
7A	UNIMATE LOCK BLADE W/ LP	6063-T6 ALUMINUM	N.A.S.A.
8	HD FEMALE LOCK BLADE	6063-T6 ALUMINUM	N.A.S.A.
8A	HD MALE LOCK BLADE	6063-T6 ALUMINUM	N.A.S.A.
8B	HD ADAPTOR FILLER	6063-T6 ALUMINUM	N.A.S.A.
9	1" JAMB CLOSURE	6063-T6 ALUMINUM	N.A.S.A.
9A	2" JAMB CLOSURE	6063-T6 ALUMINUM	N.A.S.A.
10	1/4-2X ANGLE	6063-T6 ALUMINUM	N.A.S.A.
11	1/8-2X ANGLE	6063-T6 ALUMINUM	N.A.S.A.
12	WHEEL CARRIER	PLATED STEEL/ NYLON	N.A.S.A.
13	#10X3" HH BLADE SCREW	410 STAINLESS STEEL	N.A.S.A.
13A	#10X2" HH BLADE SCREW	410 STAINLESS STEEL	N.A.S.A.
14	0.44" DIAM. FLAT WASHER	STAINLESS STEEL	N.A.S.A.
15	0.46" Ø x 0.93" BUSHING	NYLON	N.A.S.A.
16	0.46" Ø x 0.65" WHEEL BUSHING	NYLON	N.A.S.A.
19	PUSH-BUTTON LOCK		
20	1/2" x 3/8" WHEEL SPACER	NYLON	N.A.S.A.
21	1/16"-1X2, 1X2.5, 1X4, 1.5X3 ANGLES	6063-T5 ALUMINUM	N.A.S.A.
22	STD FEMALE LOCK BLADE	6063-T6 ALUMINUM	N.A.S.A.
22A	STD MALE LOCK BLADE	6063-T6 ALUMINUM	N.A.S.A.
22B	STD LOCK KEEPER	6063-T6 ALUMINUM	N.A.S.A.

ANCHOR SCHEDULE

TYPE	DESCRIPTION	EMB	E.D.
A	1/4" ITW TAPCON INTO 3000 PSI CONCRETE	1.75	3.0
	1/4" ELCO ULTRACON INTO 2700 PSI CONCRETE	1.75	2.5
AI	1/4" ITW TAPCON INTO CONCRETE BLOCK	1.25	3.0
	1/4" ELCO ULTRACON INTO CONCRETE BLOCK	1.25	2.5
B	1/4-20X1 ALL POINTS SOLID-SET INTO 3.0 KSI CONCRETE	0.875	3.0
BI	1/4-20X1 ALL POINTS SOLID-SET INTO CONCRETE BLOCK	0.875	3.0
C	1/4" WOOD LAG SCREW INTO G=.55 WOOD	1.50	1.0
D	1/4"-14 SELF DRILLING SCREWS INTO 1/8" STEEL OR ALUMINUM	---	0.75
E	1/4" CRETE-FLEX SS4 INTO 3000 PSI CONCRETE	1.75	3.0
EI	1/4" CRETE-FLEX SS4 INTO CONCRETE BLOCK (2000 PSI)	1.25	3.0

NOTES: ED: EDGE DISTANCE SHALL BE BEYOND WALL DRESSING
EMB: EMBEDMENT SHALL BE BEYOND WALL DRESSING
1/4" TAPCON, 1/4" CRETE-FLEX, #14 WOOD SCREWS CAN BE USED IN REPLACE OF 1/4" LAG SCREWS

MANUFACTURER:

JUST SHUTTER IT INC

1341 SW S. MACEDO BLVD
PORT ST. LUCIE
FLORIDA 34983
Tel.: (772) 201-9919
Fax: (772) 673-0588
WWW.JUSTSHUTTERIT.COM

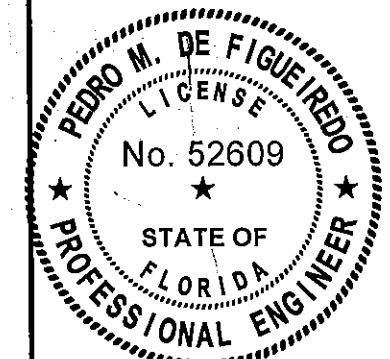
PRODUCT:

SUPERNOVA
EXTRUDED ALUMINUM
ACCORDION SHUTTER
LARGE & SMALL
IMPACTED RATED

ENGINEERING:

ENGCO INC. CA 8116

5595 ORANGE DR. 201
DAVIE, FL. 33314
Tel.: (954) 585-0304
ENGCO@AOL.COM



JUL 30 2015

Engineer Seal
Pedro De Figueiredo - PE 52609

MIAMI DADE APPROVAL:

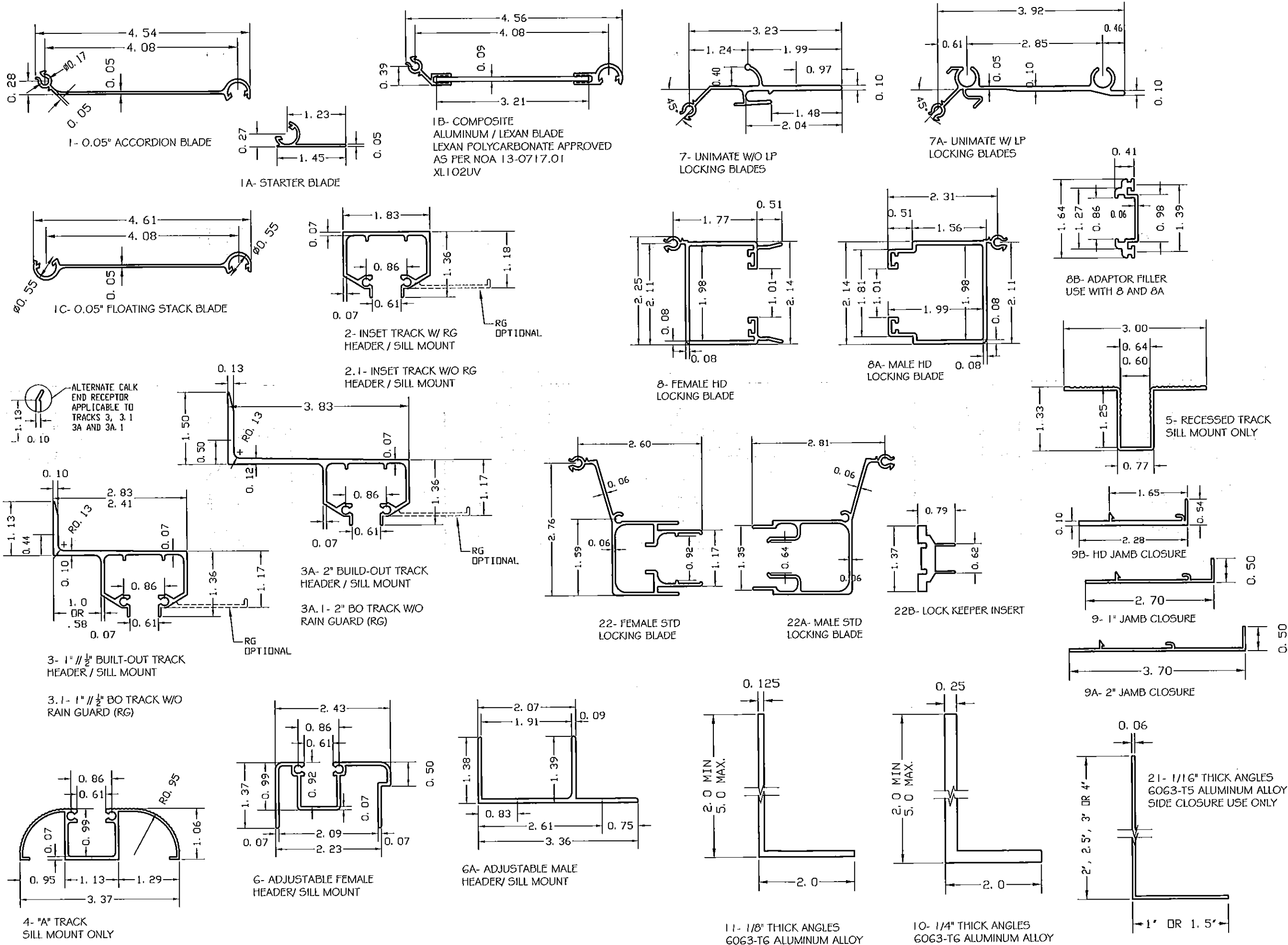
PRODUCT REVISED
as complying with the Florida
Building Code
Acceptance No 15-0513.03
Expiration Date 08/14/2019
By *[Signature]*
Miami Dade Product Control

DATE: 04/07/2015
SCALE: NA
DESIGN BY: PPMF

SHEET
11 OF 13

DRAWING #:
15-146

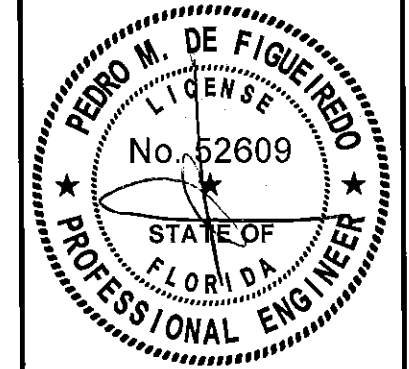
SHUTTER COMPONENTS



MANUFACTURER:
JUST SHUTTER IT INC
 1341 SW S. MACEDO BLVD
 PORT ST. LUCIE
 FLORIDA 34983
 Tel.: (772) 201-9919
 Fax: (772) 673-0588
 WWW.JUSTSHUTTERIT.COM

PRODUCT:
SUPERNOVA
 EXTRUDED ALUMINUM
 ACCORDION SHUTTER
 LARGE & SMALL
 IMPACTED RATED

ENGINEERING:
ENGCO INC. CA 8116
 5595 ORANGE DR. 201
 DAVIE, FL. 33314
 Tel.: (954) 585-0304
 ENGCO@AOL.COM



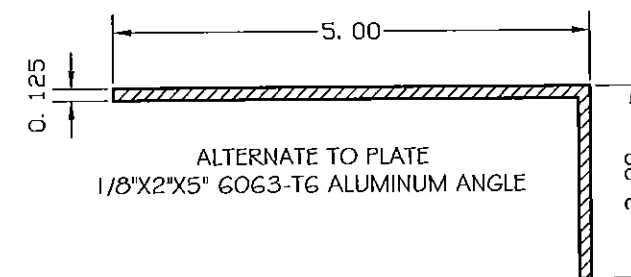
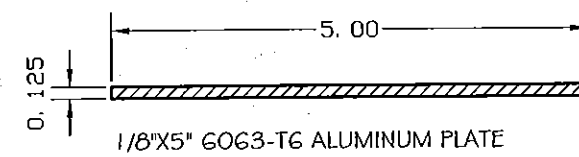
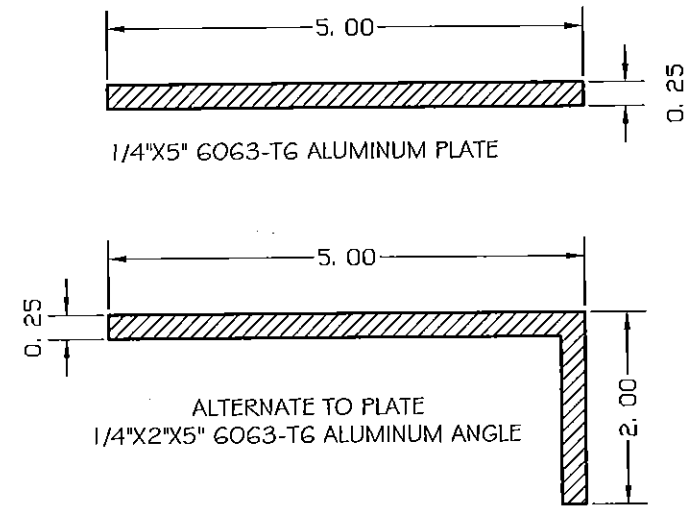
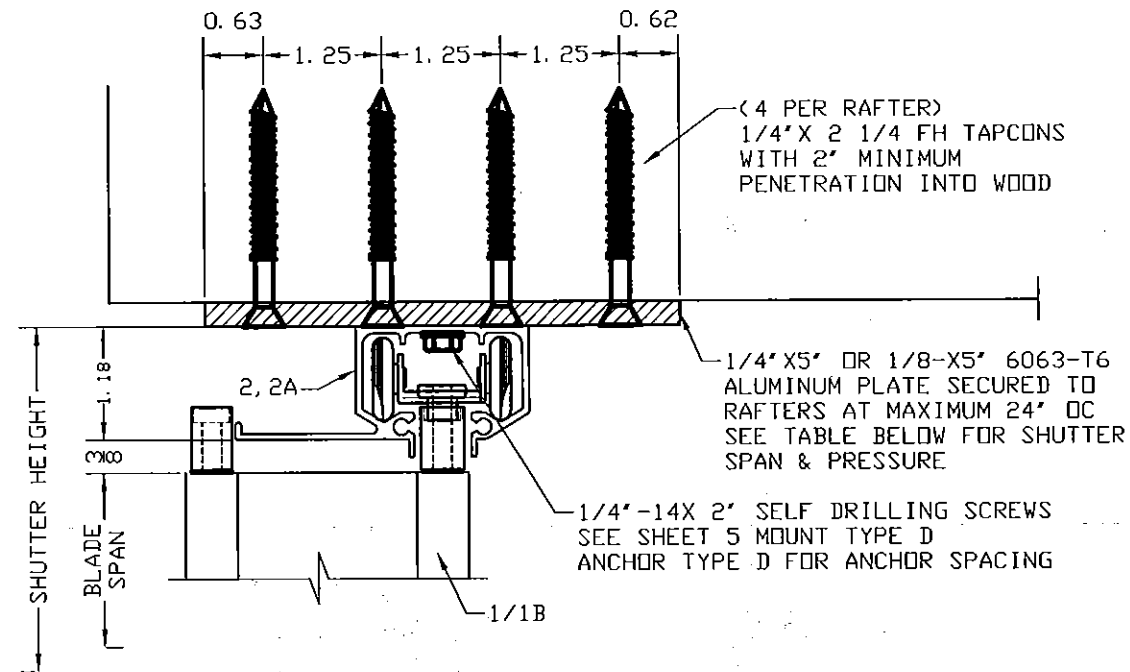
JUL 30 2015
 Engineer Seal
 Pedro De Figueiredo - PE 52609

MIAMI DADE APPROVAL:
PRODUCT REVISED
 as complying with the Florida
 Building Code
 Acceptance No **15-0513.03**
 Expiration Date **08/14/2019**
 By *Hector A. Maldonado*
 Miami Dade Product Control

DATE: 04/07/2015
 SCALE: NA
 DESIGN BY: PPMF

SHEET 12 OF 13
 DRAWING #: 15-146

SECTION X
 TRACK 2 OR 2A INSET MOUNT
 SECURED TO AN ALUMINUM PLATE
 BETWEEN WOOD TRUSSES



ALLOWABLE DESIGNED PRESSURES
 FOR SECTION X WITH 1/4" ALUMINUM PLATE

BLADE SPAN (IN)	MAXIMUM DESIGNED PRESSURE (PSF)	
	BLADE 1	BLADE 1B
60	±159	±159
72	±132	±132
84	±113	±113
90	±106	±106
108	± 88	± 88
126	± 68	± 68
132	± 62	± 61
144	+48, -52	+45, -47
162	+30, -40	+28, -33

ALLOWABLE DESIGNED PRESSURES
 FOR SECTION X WITH 1/8" ALUMINUM PLATE

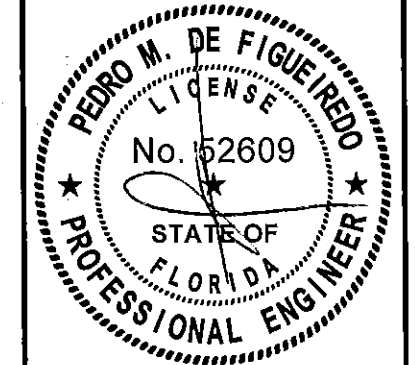
BLADE SPAN (IN)	MAXIMUM DESIGNED PRESSURE (PSF)	
	BLADE 1	BLADE 1B
60	±99	±99
72	±82	±82
84	±71	±71
90	±66	±66
108	±55	±55
126	±47	±47
132	±45	±45
144	±41	±41
162	±30	+28, -30

NOTE: 1- LINEAR INTERPOLATION IS ALLOWABLE BETWEEN BLADE SPAN SIZES

MANUFACTURER:
JUST SHUTTER IT INC
 1341 SW S. MACEDO BLVD
 PORT ST. LUCIE
 FLORIDA 34983
 Tel.: (772) 201-9919
 Fax: (772) 673-0588
 WWW.JUSTSHUTTERIT.COM

PRODUCT:
SUPERNOVA
 EXTRUDED ALUMINUM
 ACCORDION SHUTTER
 LARGE & SMALL
 IMPACTED RATED

ENGINEERING:
ENGCO INC. CA 8116
 5595 ORANGE DR. 201
 DAVIE, FL. 33314
 Tel.: (954) 585-0304
 ENGCO@AOL.COM



JUL 30 2015
 Engineer Seal
 Pedro De Figueiredo - PE 52609

MIAMI DADE APPROVAL:
PRODUCT REVISED
 as complying with the Florida
 Building Code
 Acceptance No. 15-0513.03
 Expiration Date 08/14/2019
 By *[Signature]*
 Miami Dade Product Control

DATE: 04/07/2015
 SCALE: NA
 DESIGN BY: PPMF

SHEET 13 OF 13
 DRAWING #: 15-146