



DEPARTMENT OF REGULATORY AND ECONOMIC RESOURCES (RER)
BOARD AND CODE ADMINISTRATION DIVISION

MIAMI-DADE COUNTY
PRODUCT CONTROL SECTION
11805 SW 26 Street, Room 208
T (786) 315-2590 F (786) 315-2599

NOTICE OF ACCEPTANCE (NOA)

www.miamidade.gov/economy

AWP Windows and Doors, LLC
8130 NW 74th Avenue
Medley, FL 33166

SCOPE:

This NOA is being issued under the applicable rules and regulations governing the use of construction materials. The documentation submitted has been reviewed and accepted by Miami-Dade County RER-Product Control Section to be used in Miami-Dade County and other areas where allowed by the Authority Having Jurisdiction (AHJ).

This NOA shall not be valid after the expiration date stated below. The Miami-Dade County Product Control Section (In Miami-Dade County) and/ or the AHJ (in areas other than Miami-Dade County) reserve the right to have this product or material tested for quality assurance purposes. If this product or material fails to perform in the accepted manner, the manufacturer will incur the expense of such testing and the AHJ may immediately revoke, modify, or suspend the use of such product or material within their jurisdiction. RER reserves the right to revoke this acceptance, if it is determined by Miami-Dade County Product Control Section that this product or material fails to meet the requirements of the applicable building code.

This product is approved as described herein, and has been designed to comply with the Florida Building Code, including the High Velocity Hurricane Zone.

DESCRIPTION: Series "300 Impact View" Aluminum Fixed Window - L.M.I.

APPROVAL DOCUMENT: Drawing No. **W03-39**, titled "Series '300 Impact View' Alum Fixed Wdw. (L.M.I.)", sheets 1 through 6 of 6, dated 06/10/03, with revision I dated 02/09/16, prepared by Al-Farooq Corporation, signed and sealed by Javad Ahmad, P.E., bearing the Miami-Dade County Product Control Revision stamp with the Notice of Acceptance number and expiration date by the Miami-Dade County Product Control Section.

MISSILE IMPACT RATING: Large and Small Missile Impact Resistant.

LABELING: Each unit shall bear a permanent label with the manufacturer's name or logo, city, state, series, and following statement: "Miami-Dade County Product Control Approved", unless otherwise noted herein.

RENEWAL of this NOA shall be considered after a renewal application has been filed and there has been no change in the applicable building code negatively affecting the performance of this product.

TERMINATION of this NOA will occur after the expiration date or if there has been a revision or change in the materials, use, and/ or manufacture of the product or process. Misuse of this NOA as an endorsement of any product, for sales, advertising or any other purposes shall automatically terminate this NOA. Failure to comply with any section of this NOA shall be cause for termination and removal of NOA.

ADVERTISEMENT: The NOA number preceded by the words Miami-Dade County, Florida, and followed by the expiration date may be displayed in advertising literature. If any portion of the NOA is displayed, then it shall be done in its entirety.

INSPECTION: A copy of this entire NOA shall be provided to the user by the manufacturer or its distributors and shall be available for inspection at the job site at the request of the Building Official.

This NOA revises NOA No. **13-0326.08** and consists of this page 1 and evidence pages E-1 and E-2, as well as approval document mentioned above.

The submitted documentation was reviewed by **Manuel Perez, P.E.**



MP
2/12/16

NOA No. 15-0602.05
Expiration Date: March 04, 2019
Approval Date: February 18, 2016
Page 1

NOTICE OF ACCEPTANCE: EVIDENCE SUBMITTED

A. DRAWINGS

1. Manufacturer's die drawings and sections.
(Submitted under NOA No. 03-0710.01)
2. Drawing No. **W03-9**, titled "Series 300 Impact View Alum Fixed Wdw. (L.M.I.)", sheets 1 through 6 of 6, dated 06/10/03, with revision **H** dated 12/04/15, prepared by Al-Farooq Corporation, signed and sealed by Javad Ahmad, P.E.

B. TESTS

1. Test reports on: 1) Air Infiltration Test, per FBC, TAS 202-94
2) Uniform Static Air Pressure Test, Loading per FBC, TAS 202-94
3) Water Resistance Test, per FBC, TAS 202-94
4) Large Missile Impact Test per FBC, TAS 201-94
5) Cyclic Wind Pressure Loading per FBC, TAS 203-94
6) Forced Entry Test, per FBC 2411.3.2.1, and TAS 202-94
along with marked-up drawings and installation diagram of a series "Impact View" aluminum fixed window, prepared by Fenestration Testing Laboratory, Inc., Test Report No. **FTL-8479**, dated 01/14/16, signed and sealed by Idalmis Ortega, P.E.
2. Test reports on: 1) Air Infiltration Test, per FBC, TAS 202-94
2) Uniform Static Air Pressure Test, Loading per FBC, TAS 202-94
3) Water Resistance Test, per FBC, TAS 202-94
4) Large Missile Impact Test per FBC, TAS 201-94
5) Cyclic Wind Pressure Loading per FBC, TAS 203-94
along with marked-up drawings and installation diagram of a series "Impact View" aluminum fixed window, prepared by Fenestration Testing Laboratory, Inc., Test Report No. **FTL-3467**, dated 03/31/03, signed and sealed by Joseph C. Chan, P.E.
(Submitted under NOA No. 03-0710.01)
3. Test reports on: 1) Uniform Static Air Pressure Test, Loading per FBC TAS 202-94
2) Large Missile Impact Test per FBC, TAS 201-94
3) Cyclic Wind Pressure Loading per FBC, TAS 203-94
along with marked-up drawings and installation diagram of a series "Impact View" aluminum fixed window, prepared by Fenestration Testing Laboratory, Inc., Test Report No. **FTL-3553**, dated 03/31/03, signed and sealed by Joseph C. Chan, P.E.
(Submitted under NOA No. 03-0710.01)

C. CALCULATIONS:

1. Anchor verification calculations and structural analysis, complying with **FBC 5th Edition (2014)**, prepared by Al-Farooq Corporation, dated 04/24/15 and revised on 02/01/16, signed and sealed by Javad Ahmad, P.E.
2. Glazing complies with **ASTM E1300-09**



Manuel Perez, P.E.
Product Control Examiner
NOA No. 15-0602.05

Expiration Date: March 04, 2019
Approval Date: February 18, 2016

AWP Windows and Doors, LLC

NOTICE OF ACCEPTANCE: EVIDENCE SUBMITTED

D. QUALITY ASSURANCE

1. Miami-Dade Department of Regulatory and Economic Resources (RER)

E. MATERIAL CERTIFICATIONS

1. Notice of Acceptance No. **14-0423.17** issued to **Eastman Chemical Company (MA)** for their "**Saflex Clear and Color Glass Interlayers**" dated 06/19/14, expiring on 05/21/16.
2. Notice of Acceptance No. **13-1105.10** issued to **SAF-GLAS, LLC** for their "**SAF-GLAS Polycarbonate Glass Interlayer**", dated 12/19/13, expiring on 12/16/17.

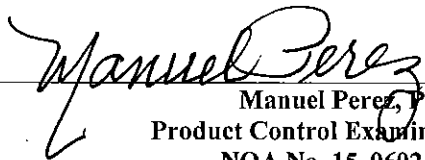
F. STATEMENTS

1. Statement letter of conformance, complying with **FBC 5th Edition (2014)**, and of no financial interest, dated January 22, 2016, issued by Al-Farooq Corporation, signed and sealed by Javad Ahmad, P.E.
2. Asset purchase agreement dated 03/20/14, signed by Mr. Paul Schmitz, Chief Executive Officer and President, Trulite Intermediate Holding, LLC and Mr. Tim Morris, Jr., President and C.F.O., AWP Windows and Doors, LLC.
3. Letter from owners of existing NOA stating that they have sold all assets to the applicant, that they no longer manufacture the product and relinquish their rights to the current NOA No. 13-0326.08, dated 04/20/15, signed by Mr. Kevin Barrett, Chief Financial Officer, Trulite Window & Door Solutions, LLC.
4. Statement letter for Name Change Request dated 07/15/14, issued by AWP Windows and Doors, LLC, signed by Gerardo Beros, Director of Engineering.
5. Laboratory compliance letters for Test Report No. **FTL-8479**, dated 01/14/16, issued by Fenestration Testing Laboratory, Inc., signed and sealed by Idalmis Ortega, P.E.
6. Proposal No. **15-5909** issued by the Product Control Section, dated 09/04/14, signed by Manuel Perez, P.E.
7. Laboratory compliance letters for Test Report No.'s **FTL-3467** and **FTL-3553**, both dated 03/31/03, issued by Fenestration Testing Laboratory, Inc., both signed and sealed by Joseph C. Chan, P.E.

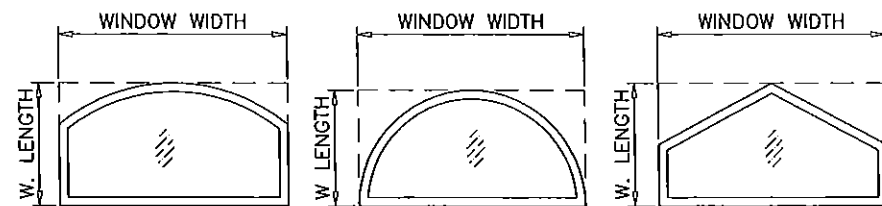
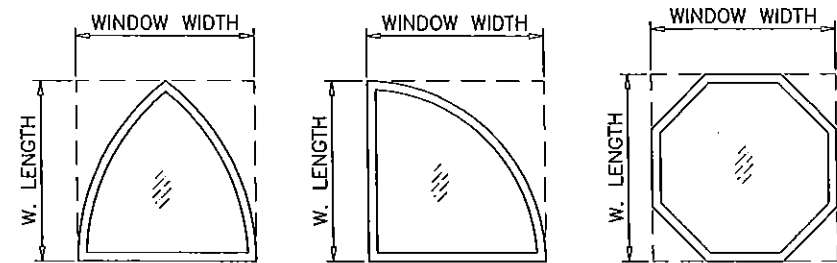
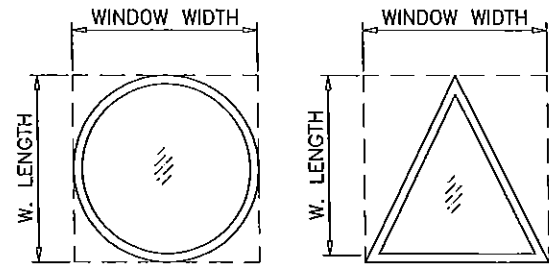
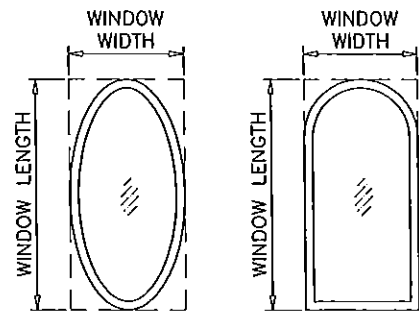
(Submitted under NOA No. 03-0710.01)

G. OTHERS

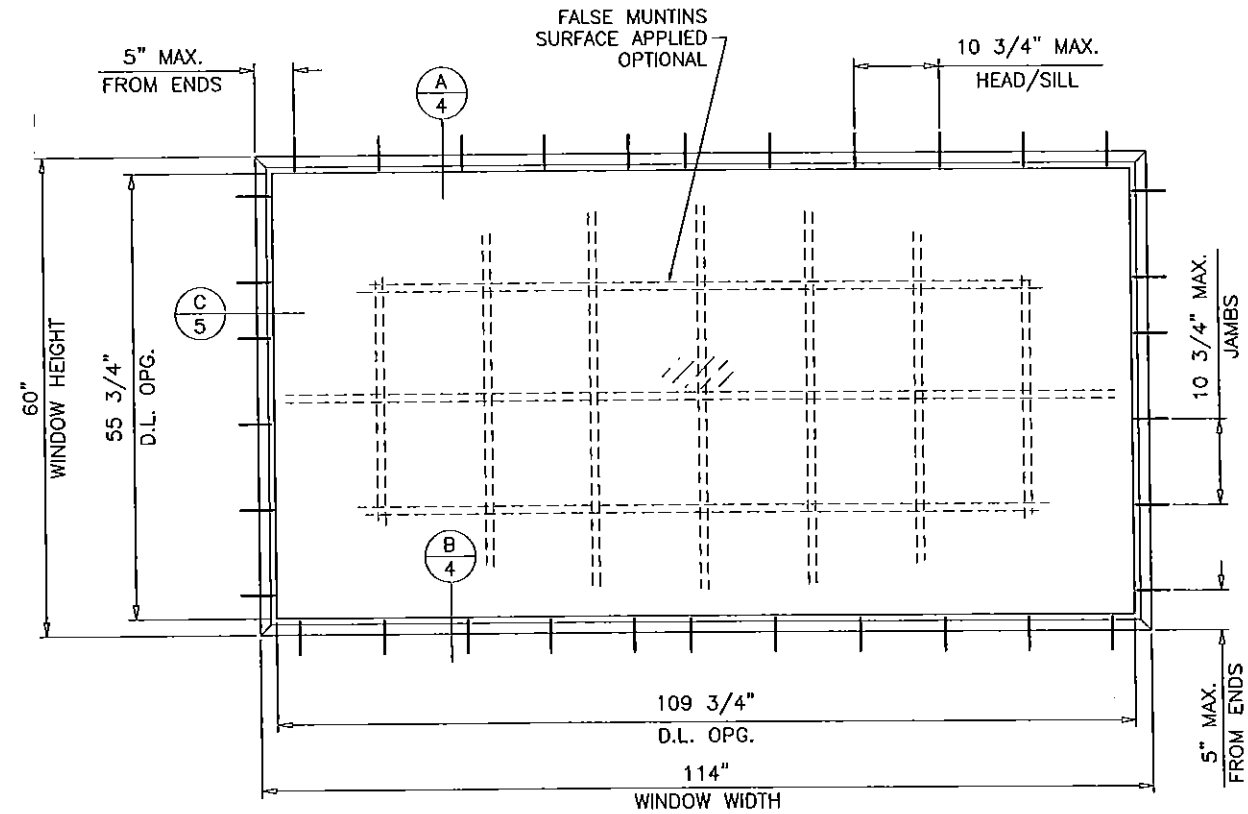
1. Notice of Acceptance No. **13-0326.08**, issued to Trulite Window & Door Solutions, LLC for their Series "Impact View" Aluminum Fixed Window - L.M.I., approved on 06/06/13 and expiring on 03/04/19.


Manuel Perez, P.E.
Product Control Examiner
NOA No. 15-0602.05

Expiration Date: March 04, 2019
Approval Date: February 18, 2016



ALLOWABLE LOADS FOR ALTERNATE SHAPES AS SHOWN ABOVE OR SIMILAR CAN BE VERIFIED BY INSCRIBING PICTURE WINDOW SHAPE WITHIN SQUARE OR RECTANGLE AS SHOWN IN DOTTED LINES AND OBTAINING ALLOWABLE LOADS FROM THOSE SHAPES.



TYPICAL ELEVATION
TESTED UNIT

**SERIES '300 IMPACT VIEW'
ALUMINUM FIXED WINDOW**

APPROVAL APPLIES TO SINGLE UNITS OR SIDE BY SIDE COMBINATIONS OF FIXED/FIXED OR FIXED WITH OTHER MIAMI-DADE COUNTY APPR'D WINDOWS USING MIAMI-DADE COUNTY APPROVED MULLIONS IN BETWEEN. LOWER DESIGN PRESSURE FROM WINDOWS OR MULLION APPROVAL WILL APPLY TO ENTIRE SYSTEM.

DESIGN LOAD RATING FOR THESE WINDOWS TO BE AS PER CHARTS SHOWN ON SHEETS 2 & 3.

THIS PRODUCT HAS BEEN DESIGNED AND TESTED TO COMPLY WITH THE REQUIREMENTS OF THE 2014 (5TH EDITION) FLORIDA BUILDING CODE INCLUDING HIGH VELOCITY HURRICANE ZONE (HVHZ).

WOOD BUCKS BY OTHERS, MUST BE ANCHORED PROPERLY TO TRANSFER LOADS TO THE STRUCTURE.

ANCHORS SHALL BE AS LISTED, SPACED AS SHOWN ON DETAILS, ANCHORS EMBEDMENT TO BASE MATERIAL SHALL BE BEYOND WALL DRESSING OR STUCCO.

ANCHORING OR LOADING CONDITIONS NOT SHOWN IN THESE DETAILS ARE NOT PART OF THIS APPROVAL.

A LOAD DURATION INCREASE IS USED IN DESIGN OF ANCHORS INTO WOOD ONLY.

ALL SHIMS TO BE HIGH IMPACT, NON-METALLIC AND NON-COMPRESSIBLE.

MATERIALS INCLUDING BUT NOT LIMITED TO STEEL/METAL SCREWS, THAT COME INTO CONTACT WITH OTHER DISSIMILAR MATERIALS SHALL MEET THE REQUIREMENTS OF THE 2014 FLORIDA BUILDING CODE.

PRODUCT REVISED
as complying with the Florida
Building Code
Acceptance No. **15-0602.05**
Expiration Date **MAR 04 2019**
By *Manuel Perez*
Miami Dade Product Control

THESE WINDOWS ARE RATED FOR LARGE & SMALL MISSILE IMPACT. SHUTTERS ARE NOT REQUIRED.

LAMINATED GLASS
INSUL. LAM. GLASS
LARGE MISSILE IMPACT

Engr: JAVAD AHMAD
CIVIL
FLA. IPE # 70592
C.A.N. 3538
Javad Ahmad
MAR 09 2019

af c
AL-FAROQ CORPORATION
ENGINEERS & PRODUCT DEVELOPMENT
9360 SUNSET DRIVE, SUITE 220
MIAMI, FLORIDA 33173
TEL. (305) 264-8400 FAX. (305) 262-8978
COMP-ANL\W03-39YO

SERIES '300 IMPACT VIEW' ALUM FIXED WDW. (L.M.I.)
AWP WINDOWS AND DOORS, LLC
8130 N.W. 74TH AVE.
MEDLEY, FL. 33166
TEL. (305) 887-2646 FAX (305) 883-1309

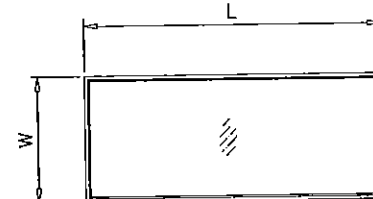
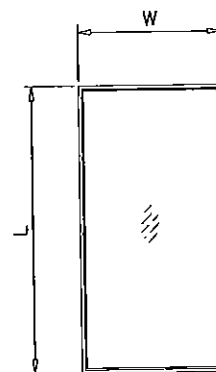
revisions:	no	date	description	by
	E	05.27.10	MANUF. NAME REVISED	
	F	12.23.11	UPDATED TO 2010 FBC, NAME REV	
	G	04.23.15	UPDATED TO 2014 FBC	
	H	01.27.16	INSUL. LAM. GLASS ADDED	
	I	02.09.16	REV. PER PER COMMENTS	

date: 06-10-03
scale: 1/2"=1'-0"
dr. by: HAMID
chk. by:
drawing no.
W03-39
sheet 1 of 6

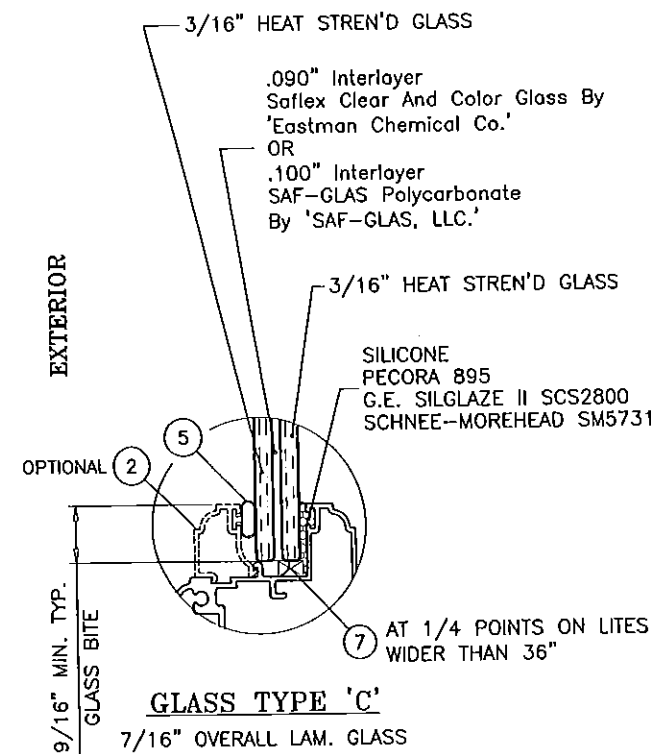
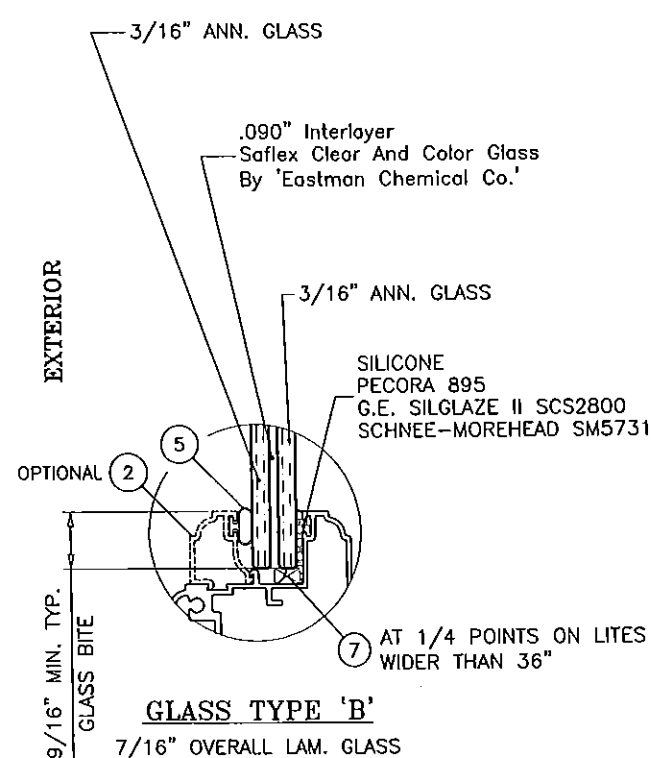
DESIGN LOAD CAPACITY - PSF					
WINDOW DIMS.		GLASS TYPE 'B'		GLASS TYPE 'C'	
WIDTH	LENGTH	EXT.(+)	INT.(-)	EXT.(+)	INT.(-)
36"	48"	66.7	66.7	80.0	80.0
42"		50.0	50.0	80.0	80.0
48"		50.0	50.0	80.0	80.0
54"		50.0	50.0	80.0	80.0
60"		50.0	50.0	80.0	80.0
66"		50.0	50.0	80.0	80.0
72"	50.0	50.0	80.0	80.0	
36"	60"	66.7	66.7	80.0	80.0
42"		50.0	50.0	80.0	80.0
48"		50.0	50.0	80.0	80.0
54"		44.4	44.4	80.0	80.0
60"		40.0	40.0	80.0	80.0
66"		40.0	40.0	80.0	80.0
72"	40.0	40.0	80.0	80.0	
36"	72"	66.7	66.7	80.0	80.0
42"		50.0	50.0	80.0	80.0
48"		50.0	50.0	80.0	80.0
54"		44.4	44.4	80.0	80.0
60"		40.0	40.0	80.0	80.0
66"		36.4	36.4	72.7	72.7
72"	33.3	33.3	66.7	66.7	
36"	84"	66.7	66.7	80.0	80.0
42"		50.0	50.0	80.0	80.0
48"		50.0	50.0	80.0	80.0
54"		44.4	44.4	80.0	80.0
60"		40.0	40.0	80.0	80.0
66"		-	-	72.7	72.7
72"	-	-	66.7	66.7	
36"	96"	64.8	64.8	80.0	80.0
42"		50.0	50.0	80.0	80.0
48"		50.0	50.0	80.0	80.0
54"		44.4	44.4	80.0	80.0
60"		-	-	80.0	80.0
66"		-	-	72.7	72.7
36"	108"	63.2	63.2	80.0	80.0
42"		50.0	50.0	80.0	80.0
48"		50.0	50.0	80.0	80.0
54"		-	-	80.0	80.0
60"		-	-	80.0	80.0
66"		-	-	80.0	80.0
36"	114"	62.5	62.5	80.0	80.0
42"		50.0	50.0	80.0	80.0
48"		50.0	50.0	80.0	80.0
54"		-	-	80.0	80.0
60"		-	-	80.0	80.0
66"		-	-	80.0	80.0
36"	120"	61.9	61.9	80.0	80.0
42"		-	-	80.0	80.0
48"		-	-	80.0	80.0
54"		-	-	80.0	80.0
60"		-	-	80.0	80.0
66"		-	-	80.0	80.0
36"	132"	60.9	60.9	80.0	80.0
42"		-	-	80.0	80.0
48"		-	-	80.0	80.0
54"		-	-	80.0	80.0
60"		-	-	80.0	80.0
66"		-	-	80.0	80.0
36"	144"	60.2	60.2	80.0	80.0
42"		-	-	80.0	80.0
48"		-	-	80.0	80.0
54"		-	-	80.0	80.0
60"		-	-	80.0	80.0
66"		-	-	80.0	80.0

DESIGN LOAD CAPACITY - PSF					
WINDOW DIMS.		GLASS TYPE 'B'		GLASS TYPE 'C'	
WIDTH	LENGTH	EXT.(+)	INT.(-)	EXT.(+)	INT.(-)
19-1/8"	26"	80.0	80.0	80.0	80.0
26-1/2"		80.0	80.0	80.0	80.0
37"		80.0	80.0	80.0	80.0
53-1/8"		80.0	80.0	80.0	80.0
19-1/8"	38-3/8"	80.0	80.0	80.0	80.0
26-1/2"		80.0	80.0	80.0	80.0
37"		64.9	64.9	80.0	80.0
53-1/8"		62.5	62.5	80.0	80.0
19-1/8"	50-5/8"	80.0	80.0	80.0	80.0
26-1/2"		80.0	80.0	80.0	80.0
37"		64.9	64.9	80.0	80.0
53-1/8"		47.4	47.4	80.0	80.0
19-1/8"	63"	80.0	80.0	80.0	80.0
26-1/2"		80.0	80.0	80.0	80.0
37"		64.9	64.9	80.0	80.0
53-1/8"		45.2	45.2	80.0	80.0
19-1/8"	74-1/4"	80.0	80.0	80.0	80.0
26-1/2"		80.0	80.0	80.0	80.0
37"		64.9	64.9	80.0	80.0
53-1/8"		45.2	45.2	80.0	80.0

NOTE:
GLASS CAPACITIES ON THIS SHEET ARE
BASED ON ASTM E1300-09 (3 SEC. GUSTS).



NOTE:
WIDTH AND LENGTH DIMENSIONS CAN BE ORIENTED
VERTICALLY OR HORIZONTALLY AS SHOWN ABOVE.



GLAZING OPTIONS

PRODUCT REVISED
as complying with the Florida
Building Code
Acceptance No. **15-0602.05**
Expiration Date **MAR 04 2019**
By *Manuel Lopez*
Miami Dade Product Control

Engr: JAVAD AHMAD
CIVIL
FLA. PE # 70592
C.A.N. 3538

FFD 09 2016

af c
AL-FAROOQ CORPORATION
ENGINEERS & PRODUCT DEVELOPMENT
9360 SUNSET DRIVE, SUITE 220
MIAMI, FLORIDA 33173
TEL (305) 264-8100 FAX (305) 262-6978
COMP-ANL\W03-39YO

SERIES '300 IMPACT VIEW' ALUM FIXED WDW. (L.M.I.)
AWP WINDOWS AND DOORS, LLC
8130 N.W. 74TH AVE.
MEDLEY, FL. 33166
TEL (305) 887-2646 FAX (305) 883-1309

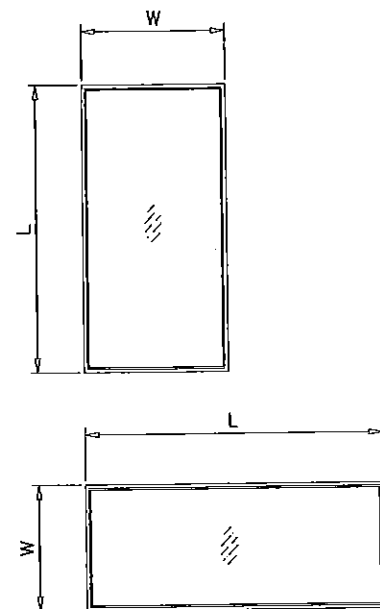
no	date	description
E	05.27.10	MANUF. NAME REVISED
F	12.23.11	MANUF. NAME REVISED
G	04.23.15	UPDATED TO 2014 FBC
H	01.27.16	INSUL. LAM. GLASS ADDED
I	02.09.16	NO CHANGE THIS SHEET

date: 06-10-03
scale: 1/2" = 1"
dr. by: HAMID
chk. by:

drawing no.
W03-39
sheet 2 of 6

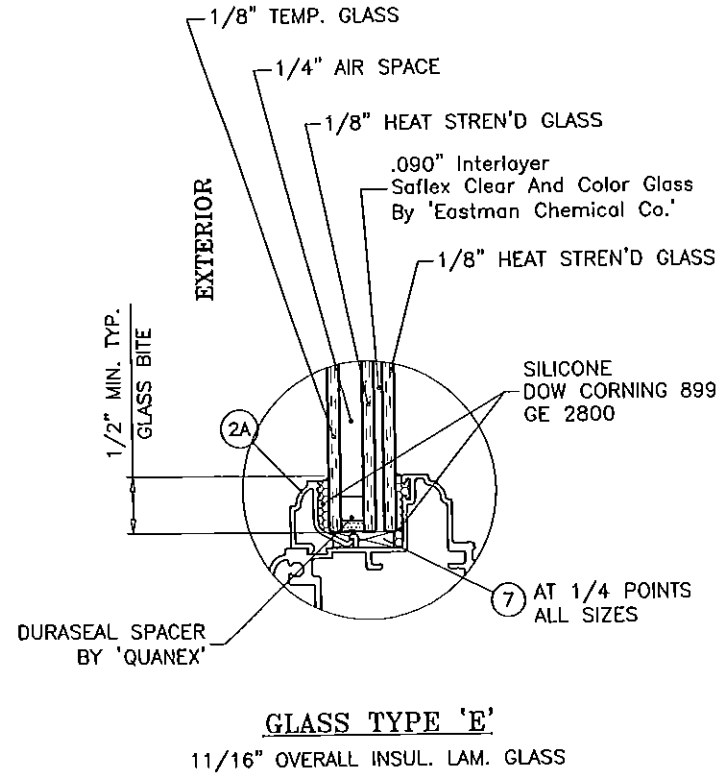
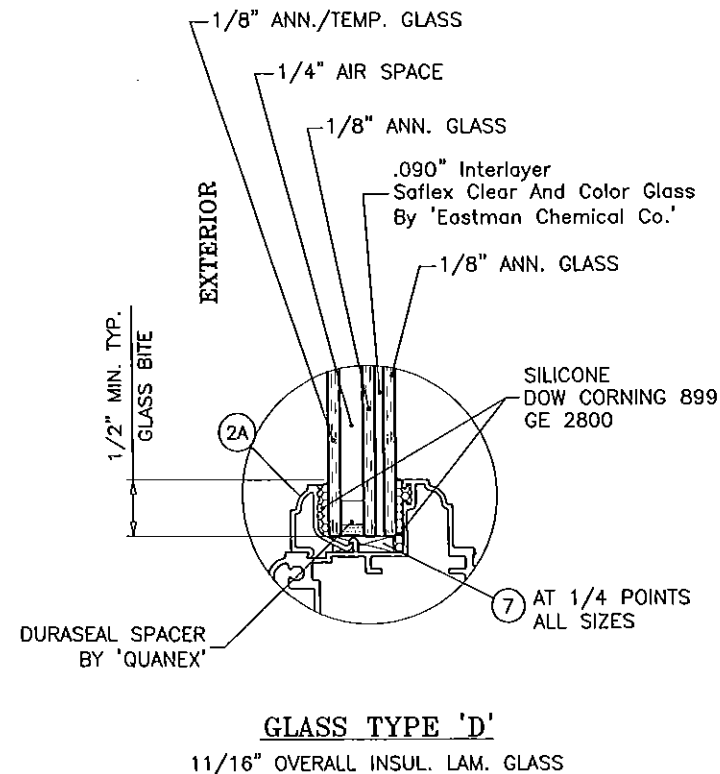
DESIGN LOAD CAPACITY - PSF					
WINDOW DIMS.		GLASS TYPE 'D'		GLASS TYPE 'E'	
WIDTH	LENGTH	EXT.(+)	INT.(-)	EXT.(+)	INT.(-)
36"	48"	70.0	70.0	80.0	80.0
42"		70.0	70.0	80.0	80.0
48"		68.0	68.0	80.0	80.0
54"		65.3	65.3	80.0	80.0
60"		57.5	57.5	80.0	80.0
66"		51.1	51.1	80.0	80.0
72"	-	-	80.0	80.0	
36"	60"	66.0	66.0	80.0	80.0
42"		60.0	60.0	80.0	80.0
48"		57.5	57.5	80.0	80.0
54"		53.5	53.5	78.5	78.5
60"		-	-	70.7	70.7
66"		-	-	70.7	70.7
36"	72"	52.5	52.5	80.0	80.0
42"		47.0	47.0	80.0	80.0
48"		-	-	80.0	80.0
54"		-	-	78.5	78.5
36"	84"	42.3	42.3	80.0	80.0
42"		-	-	80.0	80.0
48"		-	-	80.0	80.0
36"	96"	-	-	77.3	77.3
42"		-	-	71.1	71.1
36"	108"	-	-	72.0	72.0

DESIGN LOAD CAPACITY - PSF					
WINDOW DIMS.		GLASS TYPE 'D'		GLASS TYPE 'E'	
WIDTH	LENGTH	EXT.(+)	INT.(-)	EXT.(+)	INT.(-)
19-1/8"	26"	70.0	70.0	80.0	80.0
26-1/2"		70.0	70.0	80.0	80.0
37"		70.0	70.0	80.0	80.0
53-1/8"	38-3/8"	70.0	70.0	80.0	80.0
19-1/8"		70.0	70.0	80.0	80.0
26-1/2"		70.0	70.0	80.0	80.0
37"	50-5/8"	70.0	70.0	80.0	80.0
53-1/8"		63.7	63.7	80.0	80.0
19-1/8"		70.0	70.0	80.0	80.0
26-1/2"	63"	70.0	70.0	80.0	80.0
37"		60.9	60.9	80.0	80.0
53-1/8"		51.5	51.5	79.8	79.8
19-1/8"	74-1/4"	70.0	70.0	80.0	80.0
26-1/2"		70.0	70.0	80.0	80.0
37"		47.1	47.1	80.0	80.0
53-1/8"	76"	-	-	79.8	79.8
19-1/8"		-	-	80.0	80.0
26-1/2"		-	-	80.0	80.0
37"		-	-	80.0	80.0
53-1/8"	-	-	79.8	79.8	



NOTE:
WIDTH AND LENGTH DIMENSIONS CAN BE ORIENTED
VERTICALLY OR HORIZONTALLY AS SHOWN ABOVE.

NOTE:
GLASS CAPACITIES ON THIS SHEET ARE
BASED ON ASTM E1300-09 (3 SEC. GUSTS).



PRODUCT REVISED
as complying with the Florida
Building Code
Acceptance No. **15-0602.05**
Expiration Date **MAR 04 2019**
By *Manuel Jerez*
Miami Dade Product Control

(S.M.I.)
EXTERIOR PLY OF GLASS TYPE 'D'
MUST BE TEMPERED TO QUALIFY FOR
SMALL MISSILE IMPACT RATING.

Engr: JAVAD AHMAD
CIVIL
FLA. REG # 70592
C.A.N. 3538
J. Ahmad
FEB 09 2016

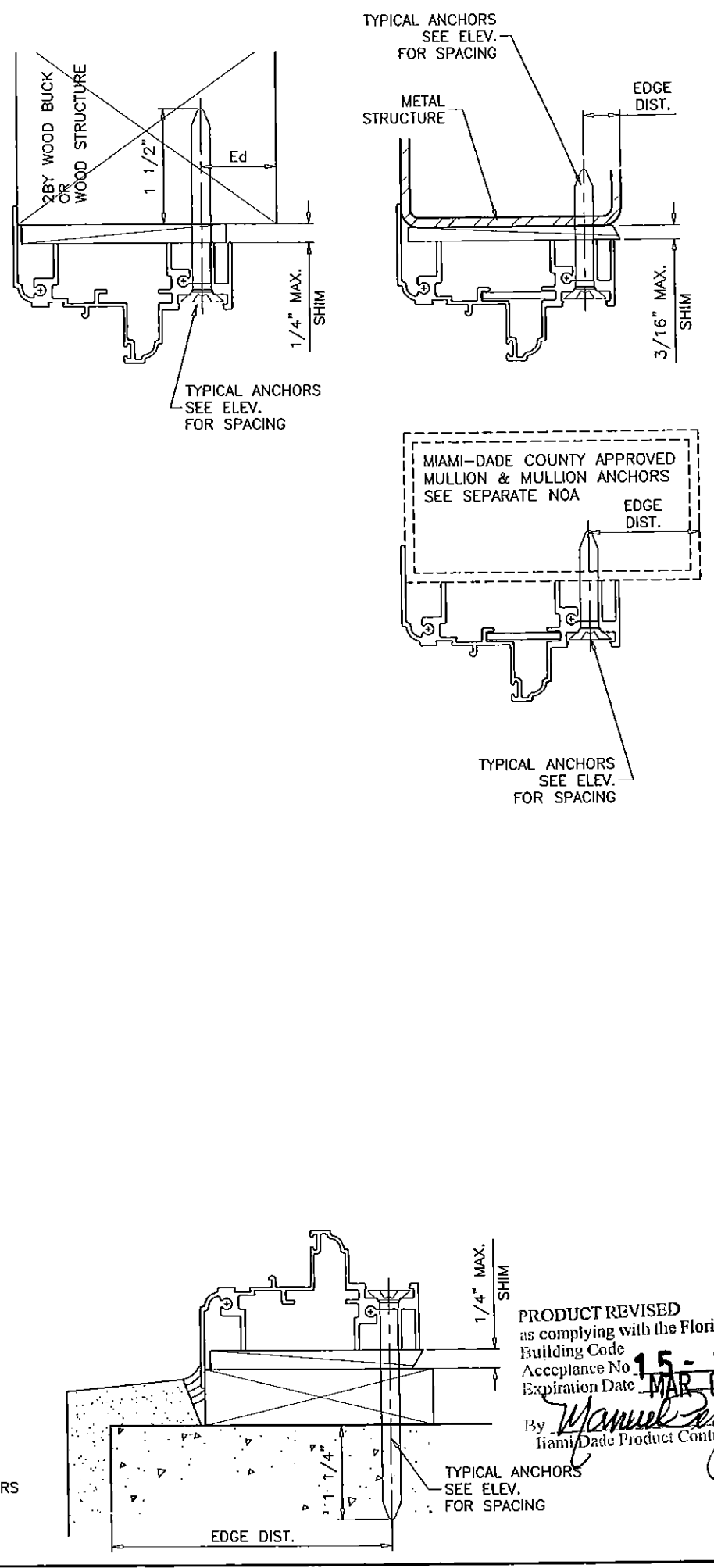
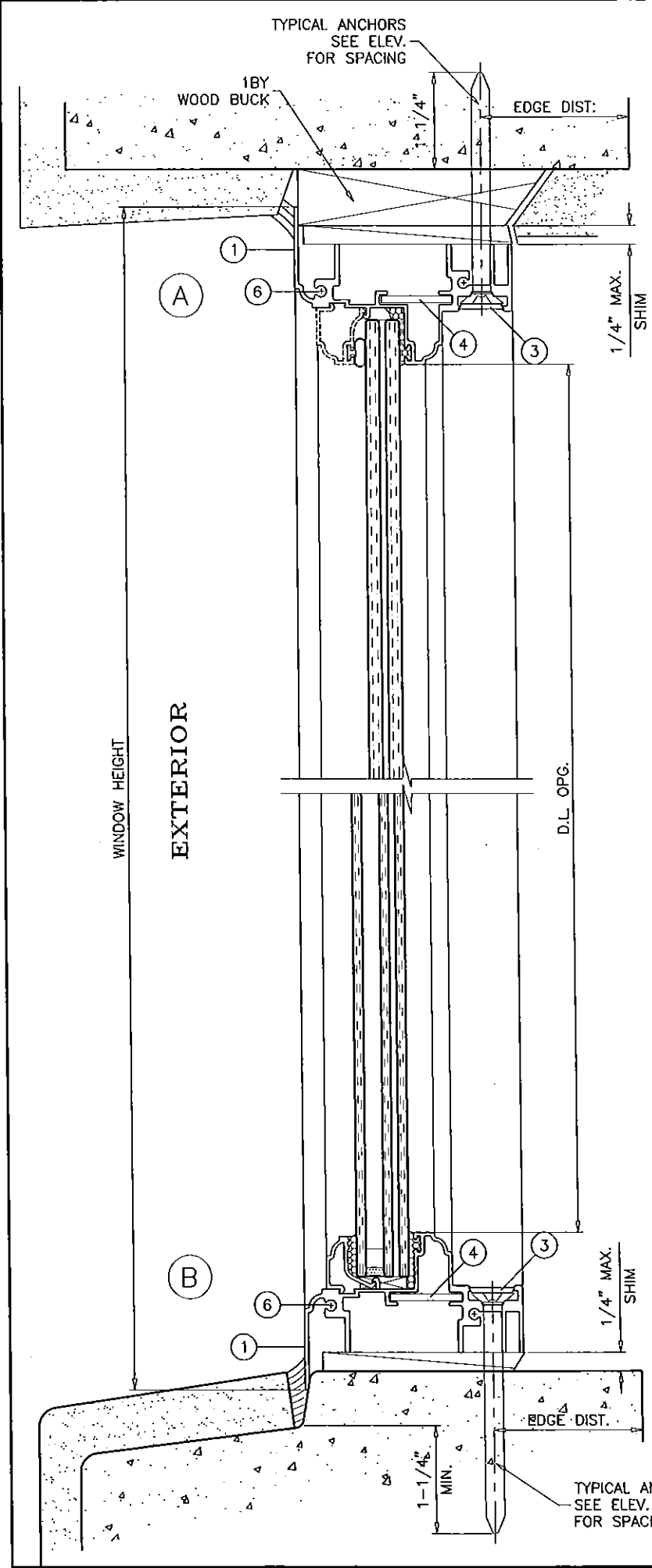
af c
AL-FAROOQ CORPORATION
ENGINEERS & PRODUCT DEVELOPMENT
9360 SUNSET DRIVE, SUITE 220
MIAMI, FLORIDA 33173
TEL. (305) 264-8100 FAX. (305) 262-6978
COMP-ANL W03-39YO

SERIES '300 IMPACT VIEW' ALUM FIXED WDW. (L.M.I.)
AWP WINDOWS AND DOORS, LLC
8130 N.W. 74TH AVE.
MEDLEY, FL. 33166
TEL. (305) 887-2646 FAX (305) 883-1309

no	date	by	description
1	01.27.16	H	INSUL LAM. GLASS ADDED
1	02.09.16	I	NO CHANGE THIS SHEET

date: 06-10-03
scale: 1/2" = 1"
dr. by: HAMID
chk. by:
drawing no.
W03-39
sheet 3 of 6

GLAZING OPTIONS



WOOD BUCKS AND METAL STRUCTURE NOT BY AWP WINDOWS MUST SUSTAIN LOADS IMPOSED BY GLAZING SYSTEM AND TRANSFER THEM TO THE BUILDING STRUCTURE.

TYPICAL ANCHORS: SEE ELEV. FOR SPACING

1/4" DIA. ULTRACON BY 'ELCO' ($F_u=177$ KSI, $F_y=155$ KSI)

1/4" DIA. TAPCON WITH ATT BY 'ITW' ($F_u=125$ KSI, $F_y=100$ KSI)

INTO 2BY WOOD BUCKS OR WOOD STRUCTURES
 1-1/2" MIN. PENETRATION INTO WOOD (HEAD/SILL/JAMBS)
 THRU 1BY BUCKS INTO CONC. OR MASONRY
 1-1/4" MIN. EMBED INTO CONCRETE (HEAD/SILL/JAMBS)
 1-1/4" MIN. EMBED INTO MASONRY (JAMBS)

DIRECTLY INTO CONC. OR MASONRY
 1-1/4" MIN. EMBED INTO CONCRETE (HEAD/SILL/JAMBS)
 1-1/4" MIN. EMBED INTO MASONRY (JAMBS)

#12 TEKS OR SELF DRILLING SCREWS (GRADE 5 CRS)

INTO METAL STRUCTURES
 STEEL : 1/8" THK. MIN. ($F_y = 36$ KSI MIN.)
 ALUMINUM : 1/8" THK. MIN. (6063-T5 MIN.)
 (STEEL IN CONTACT WITH ALUMINUM TO BE PLATED OR PAINTED)

#10 SMS OR SELF DRILLING SCREWS (GRADE 2 CRS)

INTO MIAMI-DADE COUNTY APPROVED MULLIONS (MIN. THK. = 1/8")
 (NO SHIM SPACE)

TYPICAL EDGE DISTANCE

INTO CONCRETE AND MASONRY = 2" MIN.
 INTO WOOD STRUCTURE = 1" MIN.
 INTO METAL STRUCTURE = 1/2" MIN.

WOOD AT HEAD, SILL OR JAMBS SG = 0.55 MIN.
 CONCRETE AT HEAD, SILL OR JAMBS $f'_c = 3000$ PSI MIN.
 C-90 HOLLOW/FILLED NORMAL WEIGHT BLOCK AT JAMBS $f'_m = 2000$ PSI MIN.

SEALANTS:
 FRAME CORNERS AND INSTALLATION SCREWS SEALED WITH GE SILICONE SEALANT.

PRODUCT REVISED as complying with the Florida Building Code
 Acceptance No. 15-0602.05
 Expiration Date MAR 04 2019
 By *Manuel Piza*
 Miami-Dade Product Control

Engr: JAVAD AHMAD
 CIVIL
 FLA. PE # 70592
 C.A.N. 3538

Javad Ahmad
 FEB 0 2016

af c

AL-FAROOQ CORPORATION
 ENGINEERS & PRODUCT DEVELOPMENT
 9360 SUNSET DRIVE, SUITE 220
 MIAMI, FLORIDA 33173
 TEL. (305) 264-8100 FAX. (305) 262-6978
 COMP-ANL\W03-39YO

SERIES '300 IMPACT VIEW' ALUM FIXED WDW. (L.M.I.)

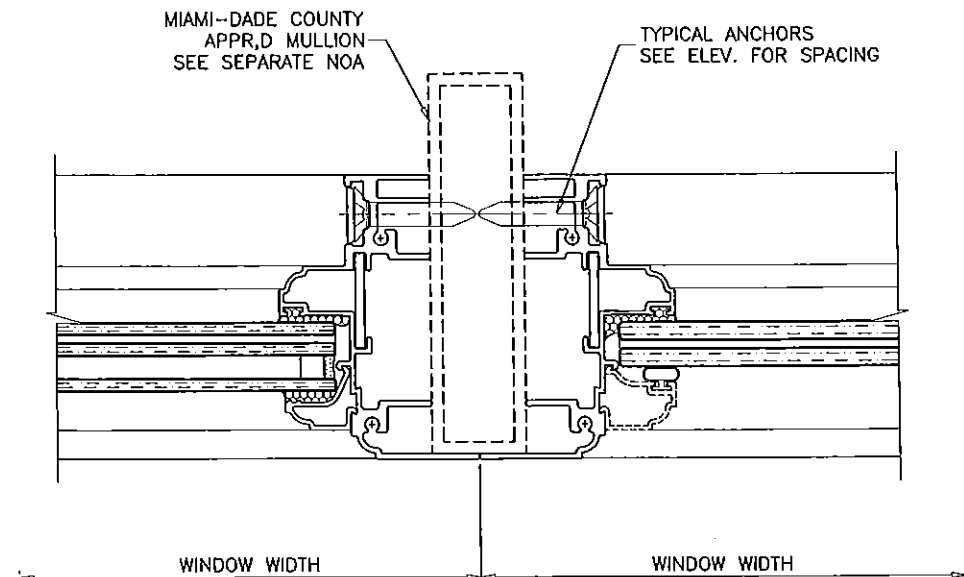
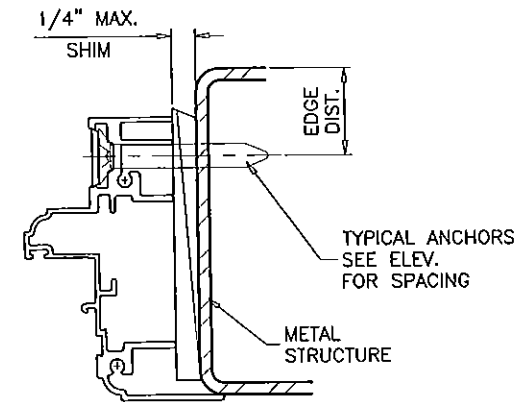
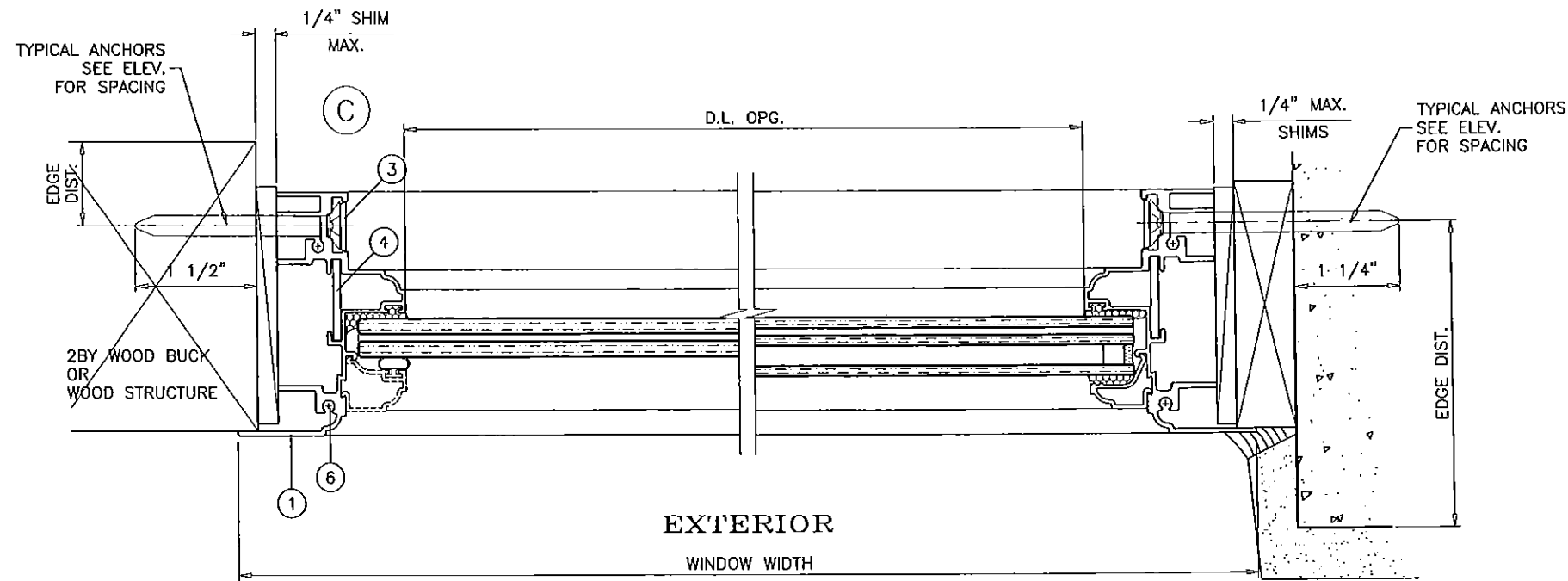
AWP WINDOWS AND DOORS, LLC
 8130 N.W. 74TH AVE.
 MEDLEY, FL. 33166
 TEL. (305) 887-2646 FAX (305) 883-1309

NO	DATE	BY	DESCRIPTION
E	05.27.10		MANUF. NAME REVISED
F	12.23.11		MANUF. NAME REVISED
G	04.23.15		UPDATED TO 2014 FBC
H	01.27.16		INSUL. LAM. GLASS ADDED
I	02.09.16		REV. PER PER COMMENTS

date: 06-10-03
 scale: 1/2" = 1"
 dr. by: HAMID
 chk. by:

drawing no.
W03-39

sheet 4 of 6



PRODUCT REVISED
 as complying with the Florida
 Building Code
 Acceptance No. **15-0602.05**
 Expiration Date **MAR 04 2019**
 By *Manuel Lopez*
 Miami Dade Product Control

Engr: JAVAD AHMAD
 CIVIL
 FLA. PE # 70592
 C.A.N. 3538
[Signature]
 FEB 09 2016

af c

AL-FAROOQ CORPORATION
 ENGINEERS & PRODUCT DEVELOPMENT
 9360 SUNSET DRIVE, SUITE 220
 MIAMI, FLORIDA 33173
 TEL. (305) 264-8100 FAX. (305) 262-6978
 COMP-ANL\W03-39YO

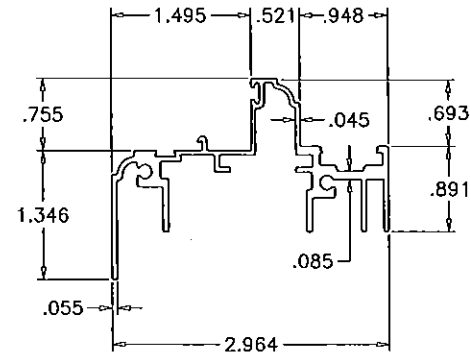
SERIES '300 IMPACT VIEW' ALUM FIXED WDW. (L.M.I.)

AWP WINDOWS AND DOORS, LLC
 8130 N.W. 74TH AVE.
 MEDLEY, FL. 33166
 TEL. (305) 887-2646 FAX (305) 883-1309

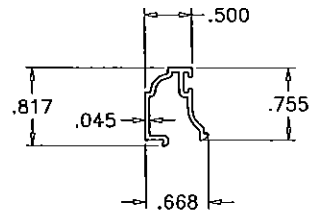
NO.	DATE	BY	DESCRIPTION
E	05.27.10		MANUF. NAME REVISED
F	12.23.11		MANUF. NAME REVISED
G	04.23.15		UPDATED TO 2014 FBC
H	01.27.16		INSUL. LAM. GLASS ADDED
I	02.09.16		NO CHANGE THIS SHEET

date: 06-10-03
 scale: 1/2" = 1"
 dr. by: HAMID
 chk. by:

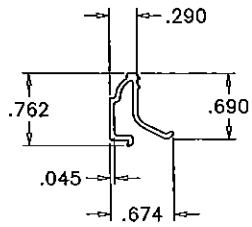
drawing no. **W03-39**
 sheet 5 of 6



① WINDOW FRAME

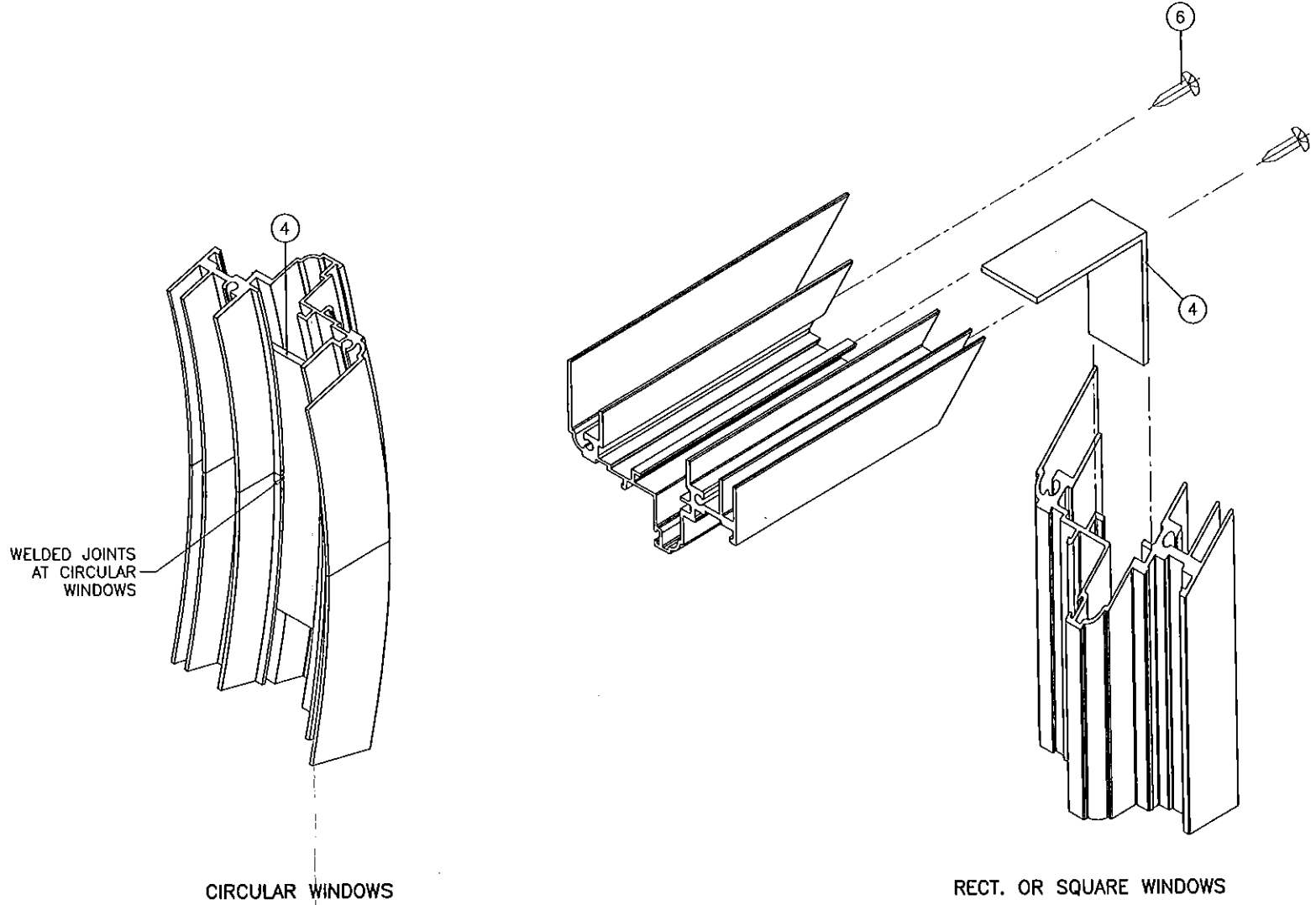


② GLAZING BEAD (LAM. GLASS)



②A GLAZING BEAD (INSUL. LAM. GLASS)

ITEM	PART #	QUANTITY	DESCRIPTION	MATERIAL	MANF./SUPPLIER/REMARKS
1	YE-68	4	WINDOW FRAME	6063-T5	-
2	YE-1405	AS REQD.	GLAZING BEAD (LAM. GLASS) (OPTIONAL)	6063-T5	-
2A	YE-45	AS REQD.	GLAZING BEAD (INSUL. LAM. GLASS)	6063-T5	-
3	YE-816	4	COVER PLATE	6063-T5	-
4	YH-1465	4	FRAME CORNER KEY	6063-T5	-
5	YH-622	AS REQD.	GLAZING VINYL	VINYL	SULLIVAN
6	YF-10	2/ CORNER	FRAME ASSEMBLY SCREWS	-	#8 X 1" PH SMS
7	-	AS REQD.	SETTING BLOCKS	EPDM	DUROMETER 80±5 SHORE A



CIRCULAR WINDOWS

RECT. OR SQUARE WINDOWS

TYP. CORNER DETAILS

PRODUCT REVISED
 as complying with the Florida
 Building Code
 Acceptance No. **15-0602.05**
 Expiration Date **MAR 04 2019**
 By *Manuel Sora*
 Miami Dade Product Control

Engr: JAVAD AHMAD
 CIVIL
 FLA. PE # 70592
 C.A.N. 3538
[Signature]
 FEB 09 2016

af c
AL-FAROOQ CORPORATION
 ENGINEERS & PRODUCT DEVELOPMENT
 9360 SUNSET DRIVE, SUITE 220
 MIAMI, FLORIDA 33173
 TEL (305) 264-8100 FAX (305) 262-6978
 COMP-ANL\W03-39YO

SERIES '300 IMPACT VIEW' ALUM FIXED WDW. (L.M.I.)
AWP WINDOWS AND DOORS, LLC
 8130 N.W. 74TH AVE.
 MEDLEY, FL. 33166
 TEL (305) 887-2646 FAX (305) 883-1309

revisions:	no	date	by	description
	E	05.27.10		MANUF. NAME REVISED
	F	12.23.11		MANUF. NAME REVISED
	G	04.23.15		UPDATED TO 2014 FBC
	H	01.27.16		INSUL. LAM. GLASS ADDED
	I	02.09.16		NO CHANGE THIS SHEET

date: 06-10-03
 scale: 1/2" = 1"
 dr. by: HAMID
 chk. by:

drawing no.
W03-39
 sheet 6 of 6