



**MIAMI-DADE COUNTY**  
 DEPARTMENT OF REGULATORY AND ECONOMIC RESOURCES (RER)  
 BOARD AND CODE ADMINISTRATION DIVISION  
**NOTICE OF ACCEPTANCE (NOA)**

MIAMI-DADE COUNTY  
 PRODUCT CONTROL SECTION  
 11805 SW 26 Street, Room 208  
 T (786) 315-2590 F (786) 315-2599  
[www.miamidade.gov/economy](http://www.miamidade.gov/economy)

**Regency Plus, Inc.**  
**1024 Locust Gap Highway**  
**Mount Carmel, PA 17851**

**SCOPE:**

This NOA is being issued under the applicable rules and regulations governing the use of construction materials. The documentation submitted has been reviewed and accepted by Miami-Dade County RER-Product Control Section to be used in Miami-Dade County and other areas where allowed by the Authority Having Jurisdiction (AHJ).

This NOA shall not be valid after the expiration date stated below. The Miami-Dade County Product Control Section (In Miami-Dade County) and/ or the AHJ (in areas other than Miami-Dade County) reserve the right to have this product or material tested for quality assurance purposes. If this product or material fails to perform in the accepted manner, the manufacturer will incur the expense of such testing and the AHJ may immediately revoke, modify, or suspend the use of such product or material within their jurisdiction. RER reserves the right to revoke this acceptance, if it is determined by Miami-Dade County Product Control Section that this product or material fails to meet the requirements of the applicable building code.

This product is approved as described herein, and has been designed to comply with the Florida Building Code, including the High Velocity Hurricane Zone.

**DESCRIPTION: Series "5108" White PVC Fixed Window - L.M.I.**

**APPROVAL DOCUMENT:** Drawing No. RPLS0060, titled "Impact 5108 Series Fixed Window" sheets 1 through 5 of 5, dated 09/16/08, with revision F dated 09/24/15, prepared by PTC, LLC, signed and sealed by Robert J. Amoruso, P.E., bearing the Miami-Dade County Product Control Revision stamp with the Notice of Acceptance number and expiration date by the Miami-Dade County Product Control Section.

**MISSILE IMPACT RATING: Large and Small Missile Impact Resistant**

**LABELING:** Each unit shall bear a permanent label with the manufacturer's name or logo, city, state, series, and following statement: "Miami-Dade County Product Control Approved", unless otherwise noted herein.

**RENEWAL** of this NOA shall be considered after a renewal application has been filed and there has been no change in the applicable building code negatively affecting the performance of this product.

**TERMINATION** of this NOA will occur after the expiration date or if there has been a revision or change in the materials, use, and/ or manufacture of the product or process. Misuse of this NOA as an endorsement of any product, for sales, advertising or any other purposes shall automatically terminate this NOA. Failure to comply with any section of this NOA shall be cause for termination and removal of NOA.

**ADVERTISEMENT:** The NOA number preceded by the words Miami-Dade County, Florida, and followed by the expiration date may be displayed in advertising literature. If any portion of the NOA is displayed, then it shall be done in its entirety.

**INSPECTION:** A copy of this entire NOA shall be provided to the user by the manufacturer or its distributors and shall be available for inspection at the job site at the request of the Building Official.

This NOA revises NOA No. 13-0814.02 and consists of this page 1 and evidence pages E-1 and E-2, as well as approval document mentioned above.

The submitted documentation was reviewed by **Manuel Perez, P.E.**



*MP*  
 9/29/15

NOA No. 15-0618.01  
 Expiration Date: January 28, 2019  
 Approval Date: October 01, 2015  
 Page 1

NOTICE OF ACCEPTANCE: EVIDENCE SUBMITTED

**A. DRAWINGS**

1. Manufacturer's die drawings and sections.  
*(Submitted under NOA No. 08-1021.04)*
2. Drawing No. **RPLS0060**, titled "Impact 5108 Series Fixed Window" sheets 1 through 5 of 5, dated 09/16/08, with revision **F** dated 09/24/15, prepared by PTC, LLC, signed and sealed by Robert J. Amoruso, P.E.

**B. TESTS**

1. Test reports on:
  - 1) Air Infiltration Test, per FBC, TAS 202-94
  - 2) Uniform Static Air Pressure Test, Loading per FBC, TAS 202-94
  - 3) Water Resistance Test, per FBC, TAS 202-94
  - 4) Large Missile Impact Test per FBC, TAS 201-94
  - 5) Cyclic Wind Pressure Loading per FBC, TAS 203-94
  - 6) Forced Entry Test, per FBC 2411.3.2.1, and TAS 202-94along with marked-up drawings and installation diagram of a series 5108 fixed window, prepared by National Certified Testing Laboratories, Inc., Test Report No. **NCTL-110-11363-1**, dated 05/15/08, signed and sealed by Harold E. Rupp, P.E.  
*(Submitted under NOA No. 08-1021.04)*

**C. CALCULATIONS**

1. Anchor verification calculations and structural analysis, complying with **FBC 5<sup>th</sup> Edition (2014)**, dated 06/11/15 with revision dated 09/01/15, prepared by PTC, LLC, signed and sealed by Robert J. Amoruso, P.E.
2. Glazing complies with **ASTM E1300-04e01**

**D. QUALITY ASSURANCE**

1. Miami-Dade Department of Regulatory and Economic Resources (RER).

**E. MATERIAL CERTIFICATIONS**

1. Notice of Acceptance No. **14-0916.10** issued to **Kuraray America, Inc.** for their "**Kuraray Butacite® PVB Glass Interlayer**" dated 04/25/15, expiring on 12/11/16.
2. Notice of Acceptance No. **12-1120.02**, issued to **Royal Window and Door Profiles, Plant 13**, for their **White Rigid PVC Exterior Extrusions**, approved on 02/28/13, expiring on 02/28/18.



Manuel Perez, P. E.  
Product Control Examiner  
NOA No. 15-0618.01

Expiration Date: January 28, 2019  
Approval Date: October 01, 2015

Regency Plus, Inc.

NOTICE OF ACCEPTANCE: EVIDENCE SUBMITTED

**F. STATEMENTS**

1. Statement letter of conformance, complying with **FBC 5<sup>th</sup> Edition (2014)**, and of no financial interest, dated 06/01/15, issued by PTC, LLC, signed and sealed by Robert J. Amoruso, P.E.
2. Laboratory compliance letters for Test Report No. **NCTL-110-11363-1**, dated 05/15/08, issued by National Certified Testing Laboratories, Inc., signed and sealed by Harold E. Rupp, P.E.  
*(Submitted under NOA No. 08-1021.04)*

**G. OTHERS**

1. Notice of Acceptance No. **13-0814.02**, issued to Regency Plus, Inc. for their Series "5108" White PVC Fixed Window – L.M.I., approved on 01/16/14 and expiring on 01/28/19.



Manuel Perez, P. E.  
Product Control Examiner  
NOA No. 15-0618.01

Expiration Date: January 28, 2019  
Approval Date: October 01, 2015

# REGENCY PLUS, INC.

## IMPACT 5108 SERIES FIXED WINDOW

### INSTALLATION ANCHORAGE DETAILS

**GENERAL NOTES:**

1. THE PRODUCT ANCHORAGE SHOWN HEREIN IS DESIGNED TO COMPLY WITH THE 5TH EDITION (2014) FLORIDA BUILDING CODE (FBC) - BUILDING AND RESIDENTIAL VOLUMES INCLUDING THE HIGH VELOCITY HURRICANE ZONE (HVHZ) AT THE DESIGN PRESSURES STATED HEREIN.
2. THE PRODUCT DETAILS CONTAINED HEREIN ARE BASED UPON SIGNED AND SEALED TEST REPORT # NCTL-110-11363-1 DATED 05/15/08 AND ASSOCIATED LABORATORY STAMPED DRAWINGS AND WERE TESTED IN ACCORDANCE WITH THE HIGH VELOCITY HURRICANE ZONE TESTING PROTOCOLS TAS-201, TAS-202 AND TAS-203.
3. THE PRODUCT HAS BEEN EVALUATED FOR CONFORMANCE TO THE STANDARDS LISTED IN THE 5TH EDITION (2014) FLORIDA BUILDING CODE (FBC) - BUILDING AND RESIDENTIAL VOLUMES AND IS IN COMPLIANCE WITH SAID STANDARDS, INCLUDING HIGH VELOCITY HURRICANE ZONE (HVHZ) REQUIREMENTS.
4. ADEQUACY OF THE EXISTING STRUCTURAL CONCRETE MASONRY AND 2X FRAMING AS A MAIN WIND FORCE RESISTING SYSTEM CAPABLE OF WITHSTANDING AND TRANSFERRING APPLIED PRODUCT LOADS TO THE STRUCTURE IS THE RESPONSIBILITY OF THE ENGINEER OR ARCHITECT OF RECORD.
5. 1X AND 2X BUCKS (WHEN USED) SHALL BE DESIGNED AND ANCHORED TO PROPERLY TRANSFER ALL LOADS TO THE STRUCTURE. BUCK DESIGN AND INSTALLATION IS THE RESPONSIBILITY OF THE ENGINEER OR ARCHITECT OF RECORD.
6. THE INSTALLATION DETAILS DESCRIBED HEREIN ARE GENERIC AND MAY NOT REFLECT ACTUAL CONDITIONS FOR A SPECIFIC SITE. IF SITE CONDITIONS CAUSE INSTALLATION TO DEVIATE FROM THE REQUIREMENTS DETAILED HEREIN, THEN THE BUILDING OFFICIAL MAY ELECT ONE OF THE FOLLOWING OPTIONS:
  - A. OUTSIDE HVHZ: REQUIRE THAT A LICENSED ENGINEER OR ARCHITECT PREPARE AND SUBMIT SITE SPECIFIC DOCUMENTS FOR USE WITH THIS DOCUMENT.
  - B. INSIDE HVHZ: REQUIRE THAT A ONE-TIME SITE SPECIFIC APPROVAL BE APPLIED FOR AND OBTAINED FROM THE MIAMI-DADE COUNTY PRODUCT CONTROL.

**7. MATERIALS:**

- 7.1 WINDOW FRAME MATERIAL: ROYAL WINDOW & DOOR PROFILES. PLANT 13 RIGID VINYL PVC PER MIAMI-DADE NOTICE OF ACCEPTANCE (NOA) NO. 12-1120.02.
- 7.2 GLAZING INTERLAYER KURARAY AMERICA, INC. BUTACITE INTERLAYER PER MIAMI DADE NOTICE OF ACCEPTANCE (NOA) NO. 14-0916.10.
8. NOT USED.
9. GLASS MEETS THE REQUIREMENTS OF ASTM E1300-04e1. SEE SHEET 3 FOR GLAZING DETAIL.
10. DESIGNATION "O" STANDS FOR THE FOLLOWING:  
O: FIXED PANEL
11. A 1/3 INCREASE IN ALLOWABLE STRESS FOR WIND LOADS WAS NOT USED IN THE DESIGN OF THE PRODUCT(S) SHOWN HEREIN. WIND LOAD DURATION FACTOR (Cd = 1.6) HAS BEEN USED FOR WOOD ANCHOR DESIGN WHERE WOOD-ONLY FAILURE GOVERNS. FOR OTHER MATERIALS, APPROPRIATE SAFETY FACTORS PER THE APPLICABLE DESIGN STANDARD ARE USED.
12. IN AREAS WHERE WIND-BOURNE DEBRIS PROTECTION REQUIREMENTS EXIST USE OF AN APPROVED IMPACT PROTECTIVE SYSTEM IS NOT NEEDED.
13. EACH WINDOW ASSEMBLY SHALL BE LABELED WITH A PERMANENT LABEL AND/OR STAMP WITH THE EXTRUDER CODE AND "MDCA".

**INSTALLATION NOTES:**

1. ONE (1) INSTALLATION ANCHOR IS REQUIRED AT EACH ANCHOR LOCATION SHOWN.
2. THE NUMBER OF INSTALLATION ANCHORS DEPICTED IS THE MINIMUM NUMBER OF ANCHORS TO BE USED FOR PRODUCT INSTALLATION.
3. SHIM AS REQUIRED AT EACH INSTALLATION ANCHOR WITH LOAD BEARING SHIM(S). MAXIMUM ALLOWABLE SHIM SIZE IS 1/4 INCH. SHIM WHERE SPACE OF 1/16 INCH OR GREATER OCCURS. SHIM(S) SHALL BE CONSTRUCTED OF HIGH DENSITY PLASTIC OR BETTER.
4. FOR INSTALLATION INTO WOOD FRAMING, USE #12 WOOD SCREWS OF SUFFICIENT LENGTH TO ACHIEVE 1 1/2 INCH MINIMUM EMBEDMENT. MINIMUM EDGE DISTANCE IS 7/8 INCHES.
5. FOR INSTALLATION THROUGH 1X BUCK TO CONCRETE / MASONRY, OR DIRECTLY INTO CONCRETE / MASONRY, USE 1/4 INCH ITW ADVANCED THREADFORM TAPCONS OF SUFFICIENT LENGTH TO ACHIEVE THE FOLLOWING:
  - 5.1. CONCRETE SUBSTRATE
    - 5.1.1. 1 1/2 INCH MINIMUM EMBEDMENT
    - 5.1.2. 1-1/2 INCH MINIMUM EDGE DISTANCE
  - 5.2. MASONRY SUBSTRATE
    - 5.2.1. 1 INCH MINIMUM EMBEDMENT
    - 5.2.2. 2 INCH MINIMUM EDGE DISTANCE
6. FOR PARTING STOP INSTALLATION USE #6 X 1 5/8 INCH WOOD SCREWS. 3/8" MIN. EDGE DISTANCE REQ'D.
7. MINIMUM EMBEDMENT AND EDGE DISTANCE EXCLUDE WALL FINISHES, INCLUDING BUT NOT LIMITED TO STUCCO, FOAM, BRICK VENEER AND SIDING.
8. INSTALLATION ANCHORS AND ASSOCIATED HARDWARE MUST BE MADE OF CORROSION RESISTANT MATERIAL OR HAVE A CORROSION RESISTANT COATING.
9. FOR HOLLOW BLOCK AND GROUT FILLED BLOCK, DO NOT INSTALL INSTALLATION ANCHORS INTO MORTAR JOINTS. EDGE DISTANCE IS MEASURED FROM FREE EDGE OF BLOCK OR EDGE OF MORTAR JOINT INTO FACE SHELL OF BLOCK.
10. INSTALLATION ANCHORS SHALL BE INSTALLED IN ACCORDANCE WITH ANCHOR MANUFACTURER'S INSTALLATION INSTRUCTIONS AND ANCHORS SHALL NOT BE USED IN SUBSTRATES WITH STRENGTHS LESS THAN THE MINIMUM STRENGTH SPECIFIED BY THE ANCHOR MANUFACTURER.
11. INSTALLATION ANCHOR CAPACITIES FOR PRODUCTS HEREIN ARE BASED ON SUBSTRATE MATERIALS WITH THE FOLLOWING PROPERTIES:
  - A. WOOD - SOUTHERN YELLOW PINE - MINIMUM SPECIFIC GRAVITY OF 0.55. LUMBER MUST COMPLY WITH THE 5TH EDITION FBC/FRC AS RELATED TO WOOD PROTECTION.
  - B. CONCRETE - MINIMUM COMPRESSIVE STRENGTH OF 2500 psi AND CONFORMS TO ACI 301.
  - C. MASONRY - STRENGTH CONFORMS TO ASTM C-90. MEDIUM WEIGHT WITH DENSITY >117 PCF.

DESIGN PRESSURE RATING (PSF)	IMPACT RATING
±55.0 PSF	LARGE MISSILE IMPACT

TABLE OF CONTENTS		
SHEET	REV.	SHEET DESCRIPTION
1	B	GENERAL NOTES, INSTALLATION NOTES & D.P. CHART
2	B	ELEVATION AND ANCHOR LAYOUTS
3	B	HORIZONTAL & VERTICAL SECTIONS & GLAZING DETAIL - OPT. INSTALLATION
4	B	HORIZONTAL & VERTICAL SECTIONS - PARTING STOP INSTALLATION
5	B	COMPONENTS, BILL OF MATERIALS & CORNER SECTION

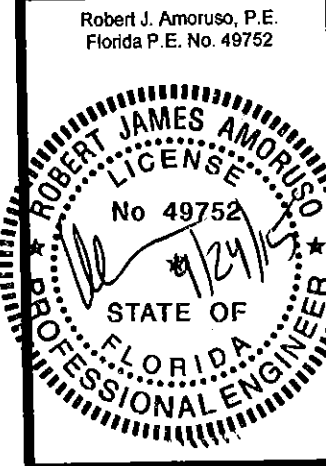
PROJECT #414-0418	
ADDRESS M.D. RFI COMMENTS	RJA 9/24/15
ADDRESS M.D. RFI COMMENTS	RJA 8/31/15
UPDATED TO 5TH ED. (2014) FBC	JBH 6/1/15
DESCRIPTION	DATE
REV	BY

**REGENCY PLUS, INC.**  
2000 LOCUST GAP HIGHWAY  
MT. CARMEL, PA 17851

IMPACT 5108 SERIES FIXED WINDOW  
GENERAL NOTES, INSTALLATION NOTES & D.P. CHART

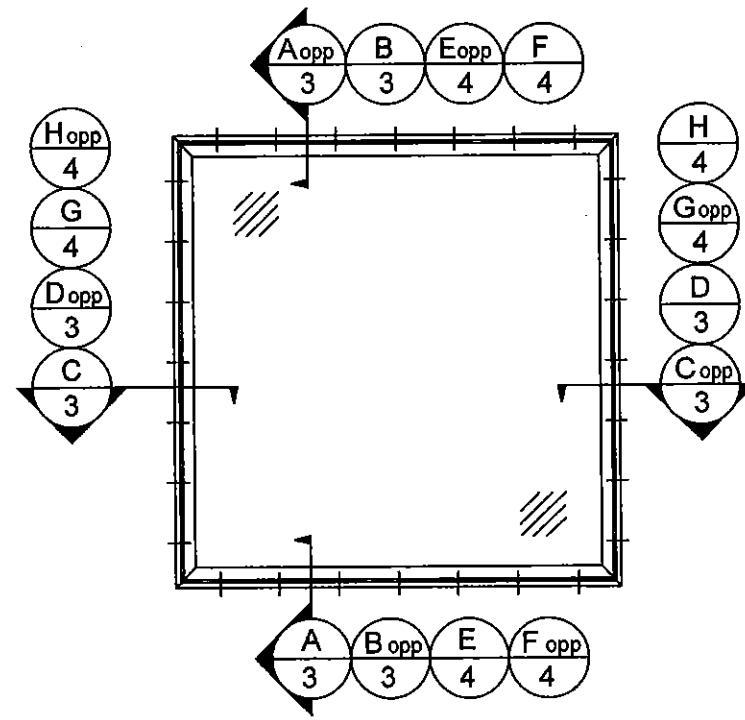
DRAWN BY: BB DATE: 09/16/08  
SCALE: N.T.S. DRAWING NO: RPLS0060  
REV: F SHEET: 1 OF 5

**PTC**  
PTC Product Design Group, LLC  
PO Box 520775, Longwood, FL 32752-0775  
321-690-1788 info@ptc-corp.com  
FBPE Cert. of Auth. No. 28935

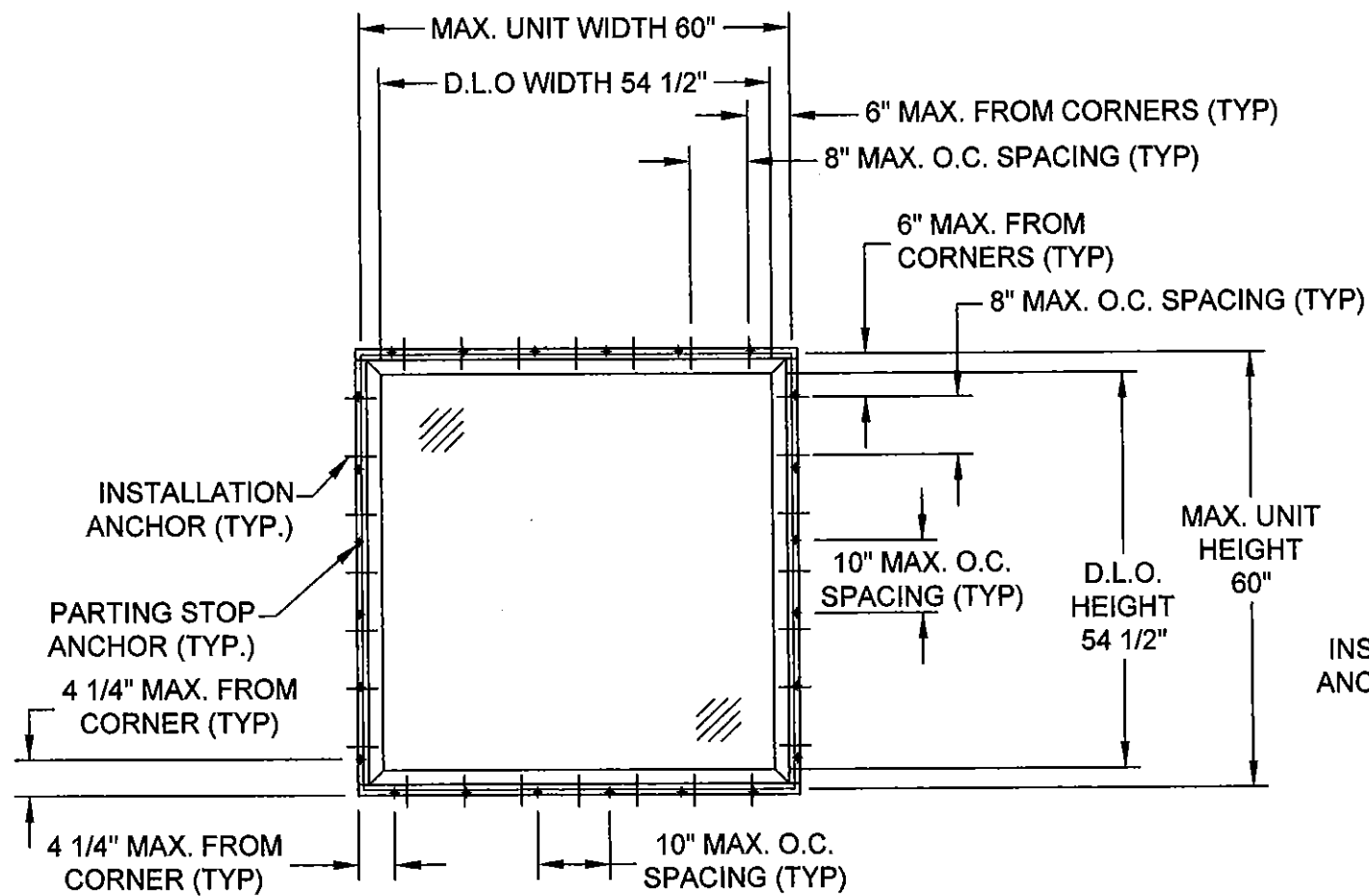


PRODUCT REVISED as complying with the Florida Building Code Acceptance No 15-0618.01 Expiration Date Jan. 28, 2019

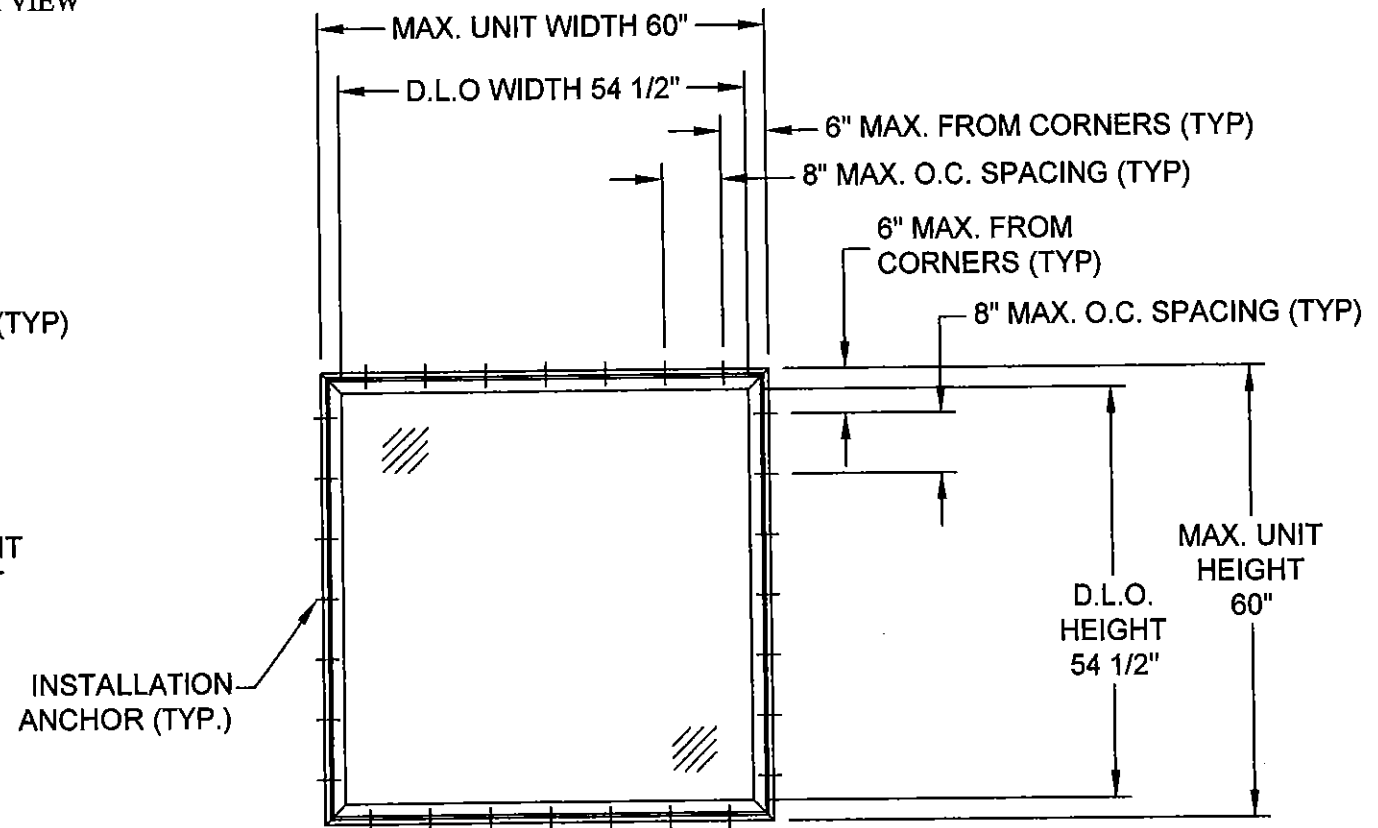
By *Wannell Bus*  
Miami Dade Product Control



**ELEVATION**  
EXTERIOR VIEW



**ANCHOR LAYOUT**  
PARTING STOP INSTALLATION  
EXTERIOR VIEW



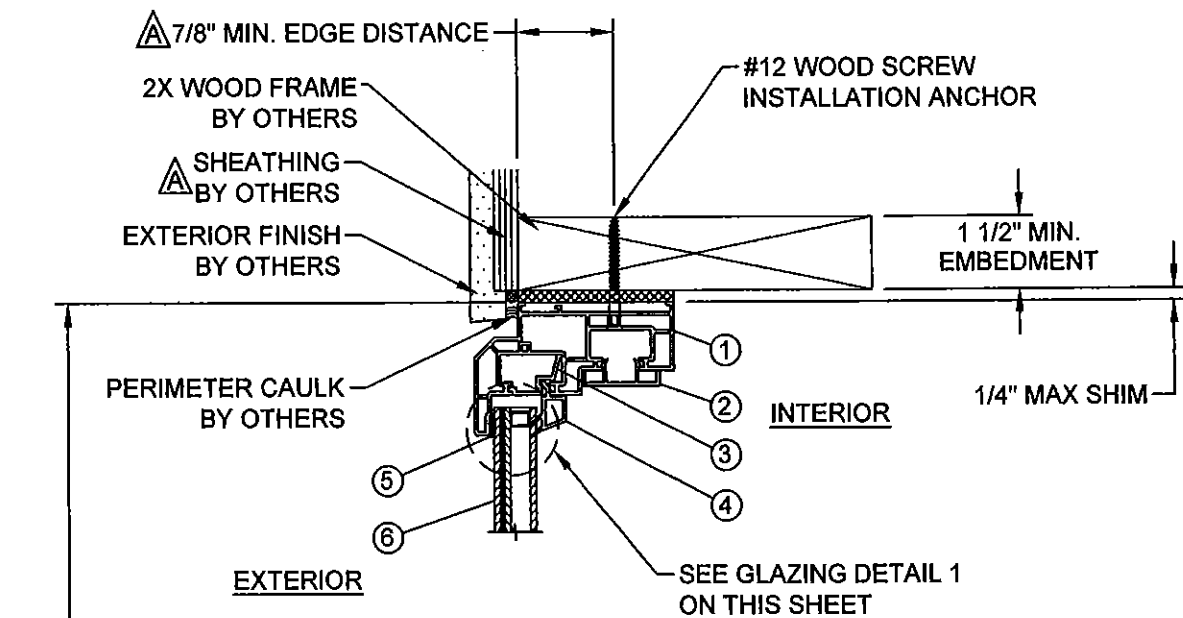
**ANCHOR LAYOUT**  
OPTIONAL INSTALLATION  
EXTERIOR VIEW

PROJECT #414-0418		RJA	BY
ADDRESS M.D. RFI	COMMENTS	9/24/15	DATE
F			
ADDRESS M.D. RFI	COMMENTS	8/31/15	DATE
E			
UPDATED TO 5TH ED. (2014) FBC	DESCRIPTION	6/1/15	DATE
D			
REV			

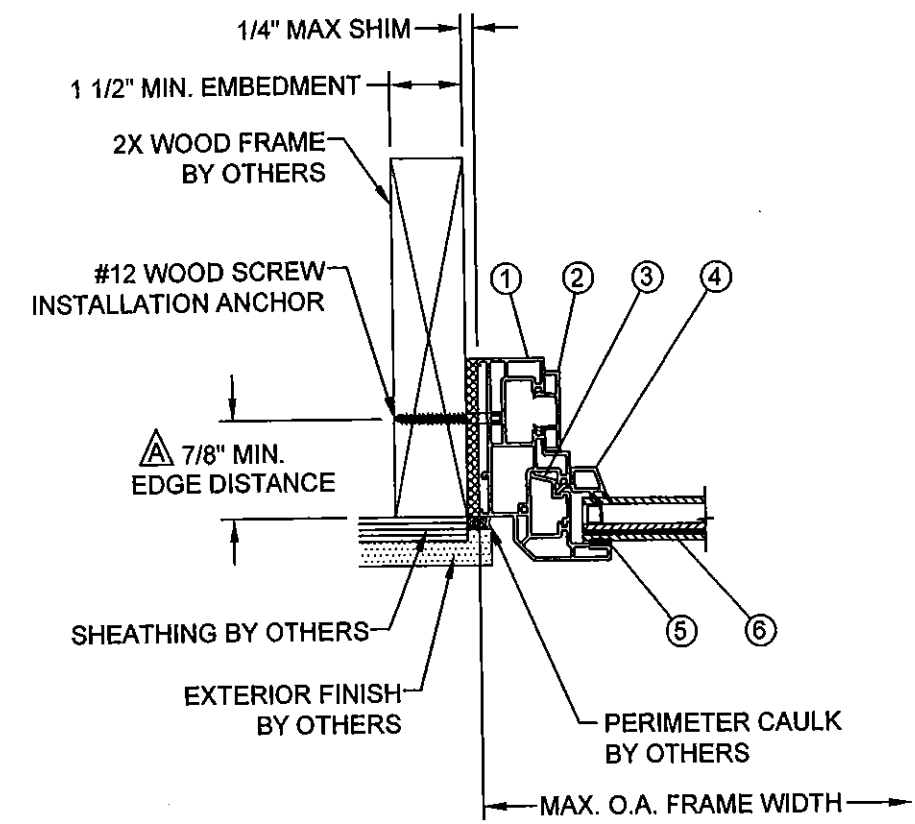
REGENCY PLUS, INC. 2000 LOCUST GAP HIGHWAY MT. CARMEL, PA 17851		DATE: 09/16/08	DATE
IMPACT 5108 SERIES FIXED WINDOW ELEVATION AND ANCHOR LAYOUTS		DRAWING NO: RPLS0060	DESCRIPTION
DRAWN BY: BB		SCALE: N.T.S.	REV: F
PTC Product Design Group, LLC PO Box 520775, Longwood, FL 32752-0775 321-690-1788 info@ptc-corp.com FBPE Cert. of Auth. No. 25935		SHEET: 2 OF 5	

Robert J. Amoruso, P.E.  
Florida P.E. No. 49752

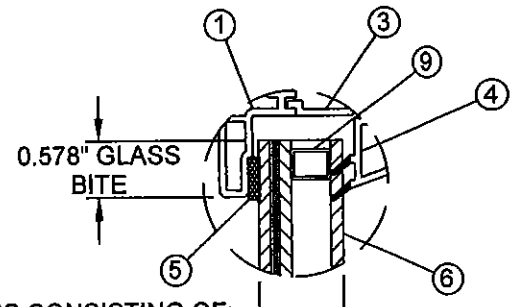
PRODUCT REVISED  
as complying with the Florida  
Building Code  
Acceptance No. 15-0618.01  
Expiration Date Jan. 28, 2019  
By *Wanda Perez*  
Miami Trade Product Control



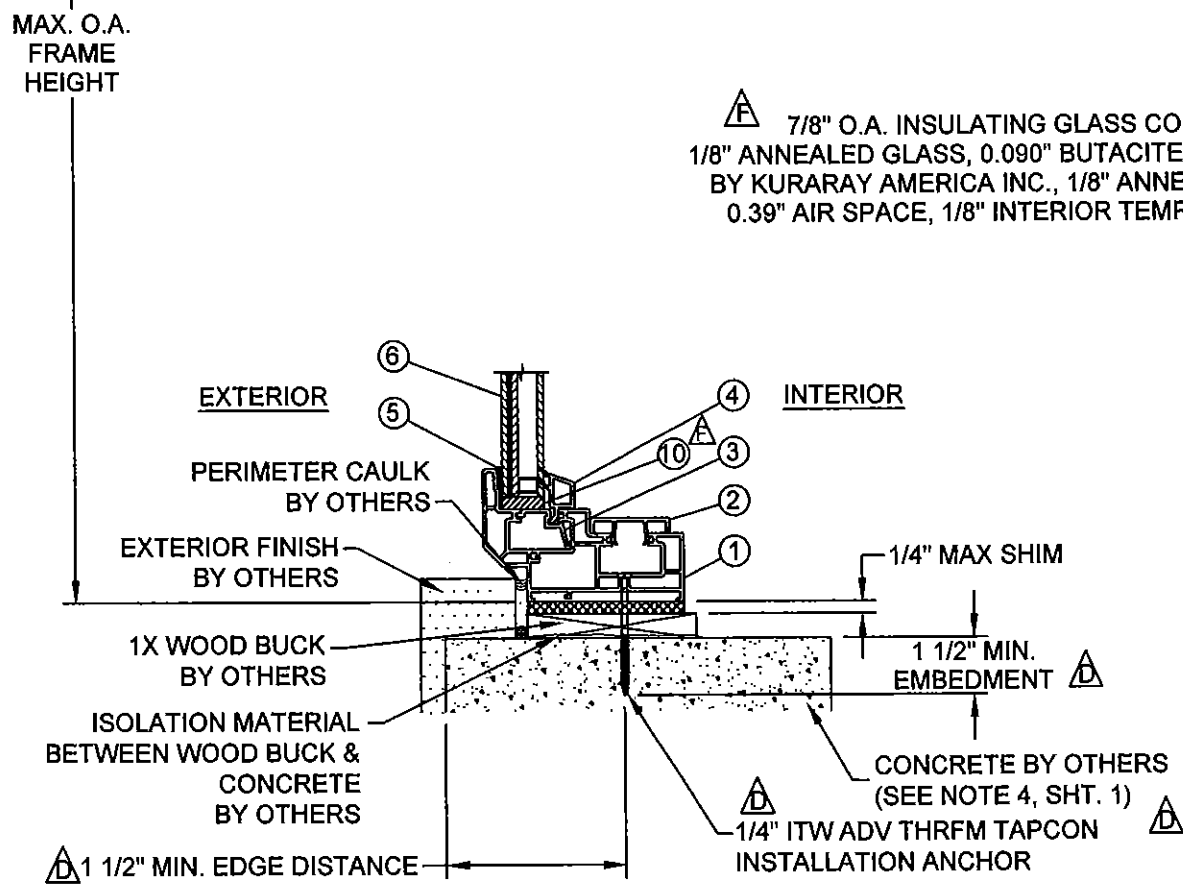
**B VERTICAL SECTION**  
OPTIONAL INSTALLATION  
WOOD FRAME SUBSTRATE



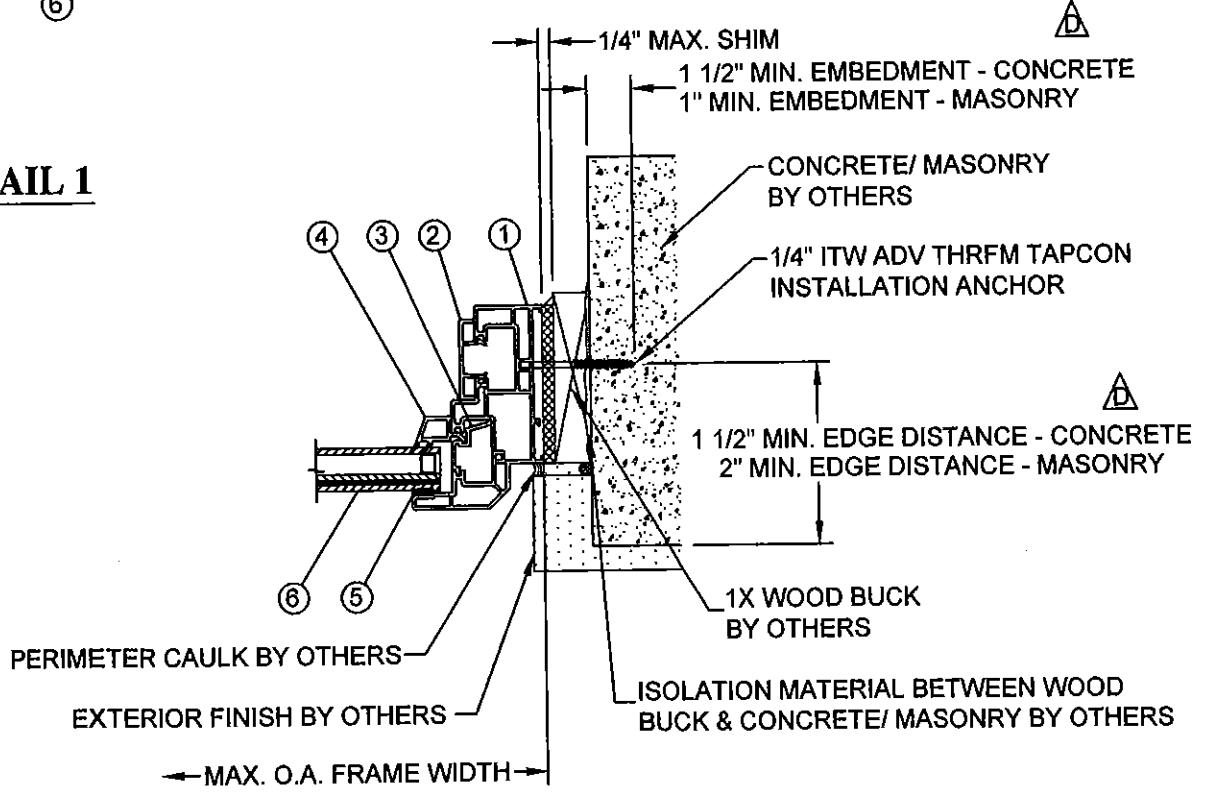
**C HORIZONTAL SECTION**  
OPTIONAL INSTALLATION  
WOOD FRAME SUBSTRATE



**GLAZING DETAIL 1**  
7/8" O.A. INSULATING GLASS CONSISTING OF:  
1/8" ANNEALED GLASS, 0.090" BUTACITE INTERLAYER  
BY KURARAY AMERICA INC., 1/8" ANNEALED GLASS,  
0.39" AIR SPACE, 1/8" INTERIOR TEMPERED GLASS



**A VERTICAL SECTION**  
OPTIONAL INSTALLATION  
CONCRETE SUBSTRATE



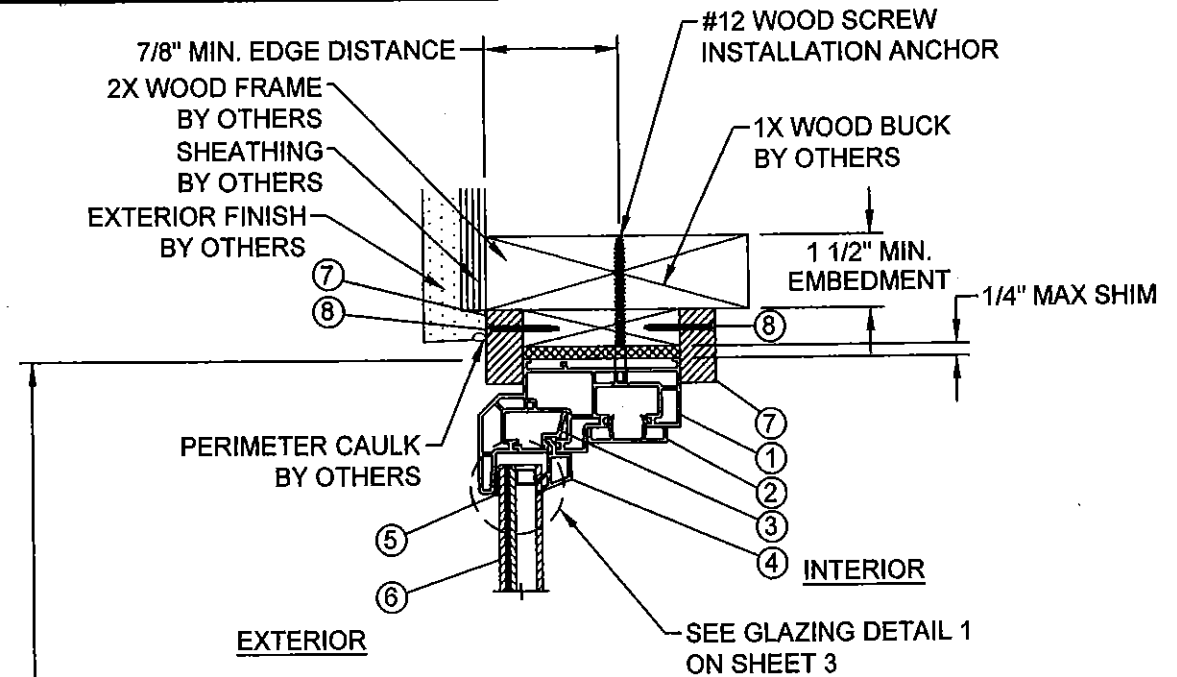
**D HORIZONTAL SECTION**  
OPTIONAL INSTALLATION  
CONCRETE / MASONRY SUBSTRATE

PROJECT #414-0418	RJA	RJA	JBH	BY
ADDRESS M.D. RFI COMMENTS	9/24/15	8/31/15	6/1/15	DATE
ADDRESS M.D. RFI COMMENTS				
UPDATED TO 5TH ED. (2014) FBC				
DESCRIPTION				

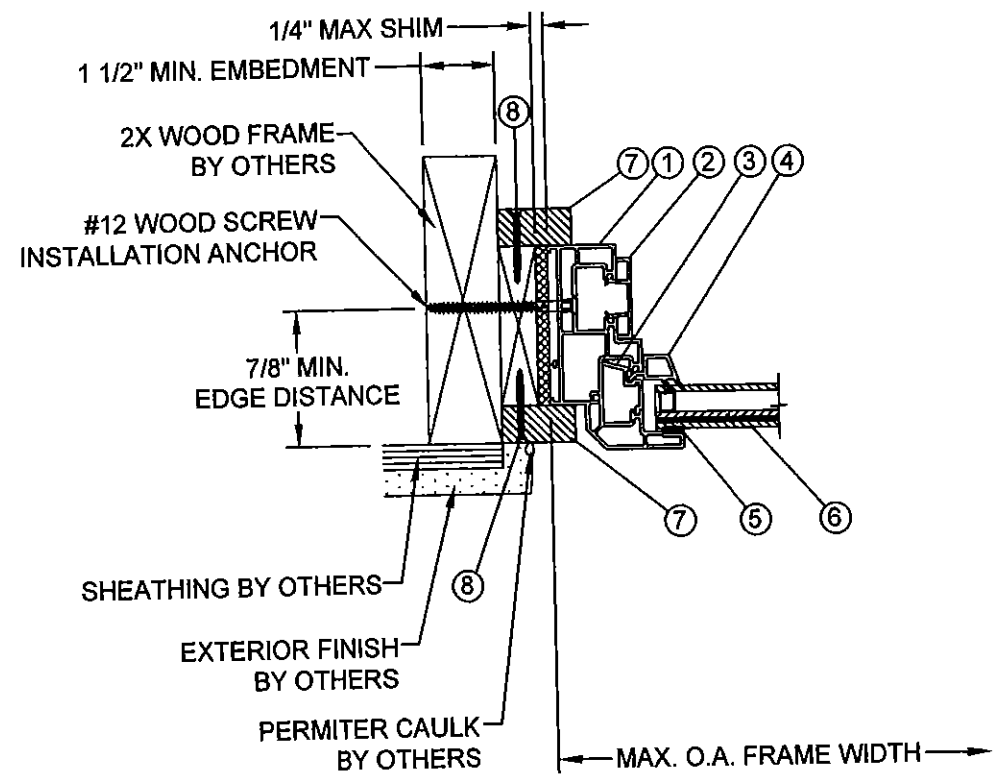
REGENCY PLUS, INC. 2000 LOCUST GAP HIGHWAY MT. CARMEL, PA 17851	DATE: 09/16/08	DRAWING NO: RPLS0060	SHEET: 3 OF 5
TITLE: HORIZONTAL & VERTICAL SECT. & GLAZING DETAIL OPT. INSTALL	DRAWN BY: BB	SCALE: N.T.S.	REV: F
PTC Product Design Group, LLC PO Box 520775, Longwood, FL 32752-0775 321-690-1788 info@ptc-corp.com FBPE Cert. of Auth. No. 25935			

Robert J. Amoruso, P.E.  
Florida P.E. No. 49752

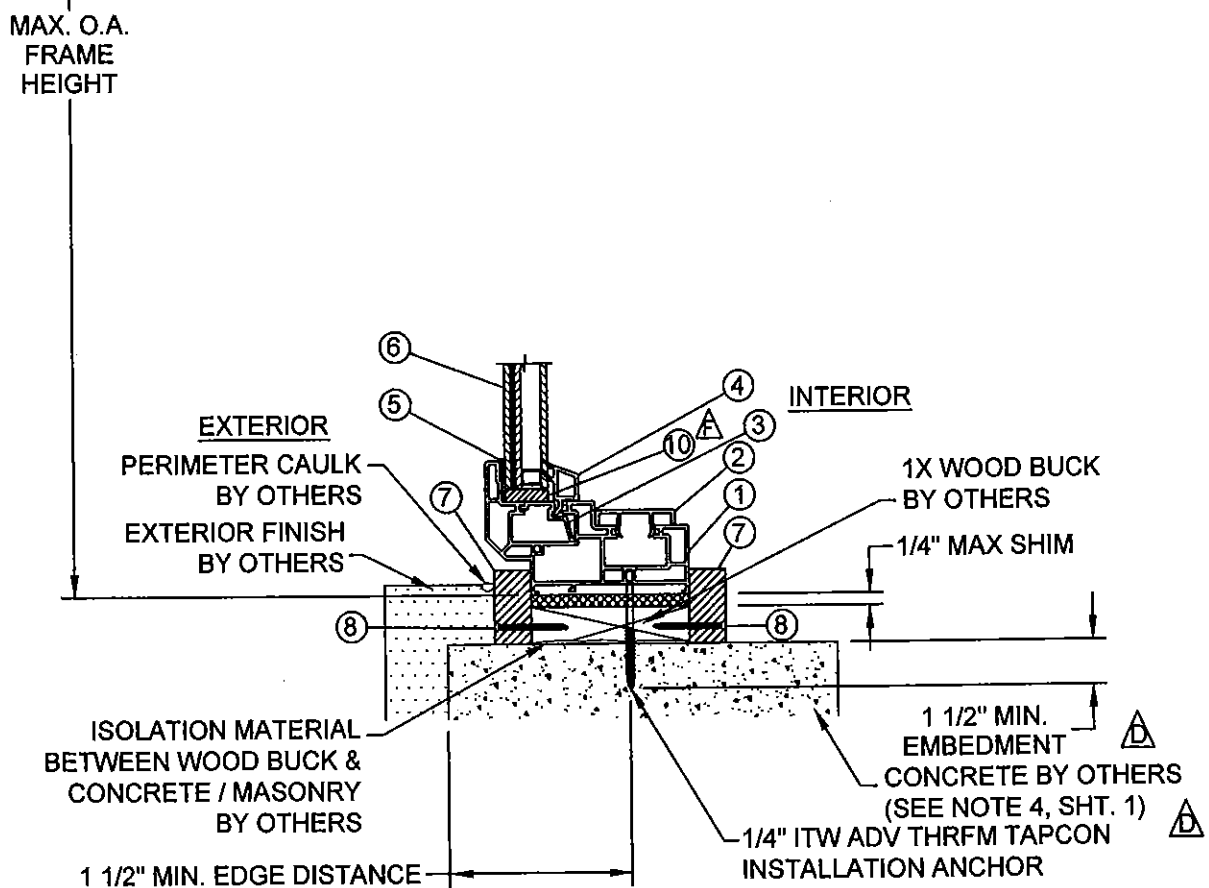
PRODUCT REVISED  
as complying with the Florida  
Building Code  
Acceptance No. 15-0618.01  
Expiration Date Jan 28 2019  
By *W. B. Bure*  
Miami Dade Product Control



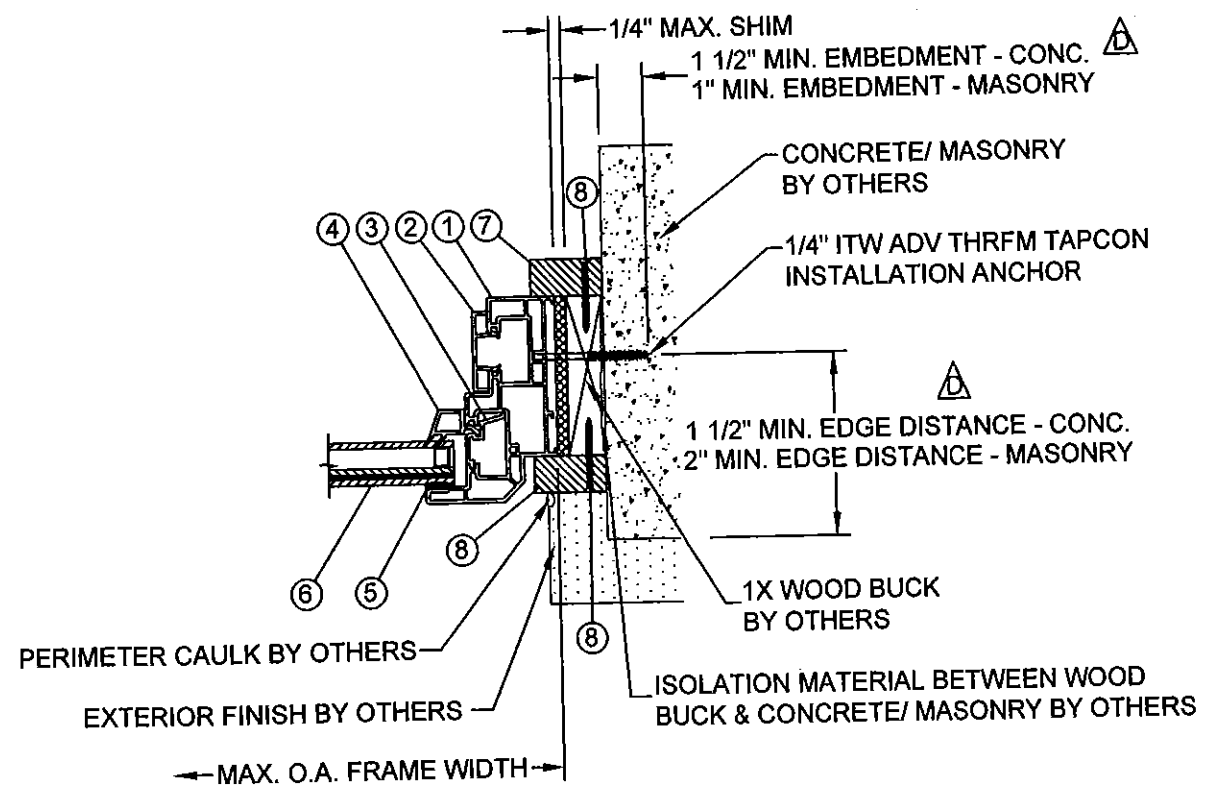
**F VERTICAL SECTION**  
PARTING STOP INSTALLATION  
WOOD FRAME SUBSTRATE



**G HORIZONTAL SECTION**  
PARTING STOP INSTALLATION  
WOOD FRAME SUBSTRATE



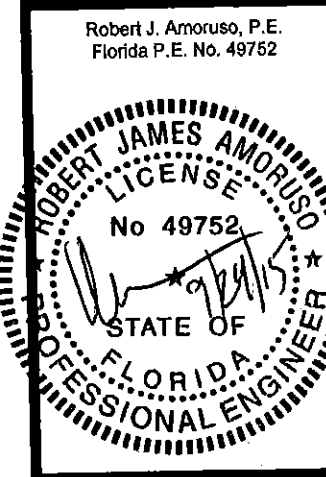
**E VERTICAL SECTION**  
PARTING STOP INSTALLATION  
CONCRETE SUBSTRATE



**H HORIZONTAL SECTION**  
PARTING STOP INSTALLATION  
CONCRETE / MASONRY SUBSTRATE

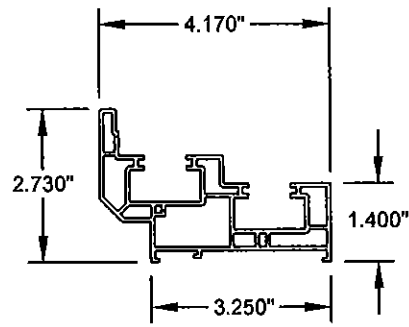
PROJECT #414-0418	RJA	RJA	JBH	BY
ADDRESS M.D. RFI COMMENTS	9/24/15	8/31/15	6/1/15	DATE
F	E	D	REV	DESCRIPTION

REGENCY PLUS, INC. 2000 LOCUST GAP HIGHWAY MT. CARMEL, PA 17851	DATE: 09/16/08	DRAWING NO: RPLS0060	SHEET: 4 OF 5
TITLE: HORIZONTAL & VERTICAL SECTIONS - PARTING STOP INSTALL.	DRAWN BY: BB	SCALE: N.T.S.	REV: F
PTC Product Design Group, LLC PO Box 520775, Longwood, FL 32752-0775 321-690-1788 info@ptc-corp.com FBPE Cert. of Auth. No. 25935			

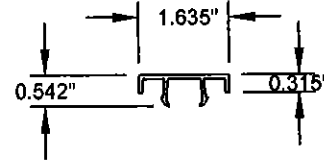


PRODUCT REVISED as complying with the Florida Building Code.  
Acceptance No 15-0618.01  
Expiration Date Jan 28, 2019  
By *Manuel Perez*  
Miami Dade Product Control

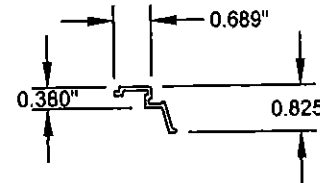
① MAIN FRAME  
0.070" TYPICAL WALL THICKNESS



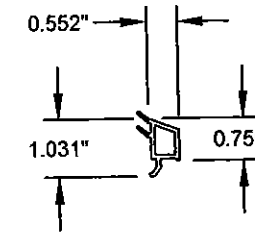
② FRAME COVER  
0.070" TYPICAL WALL THICKNESS



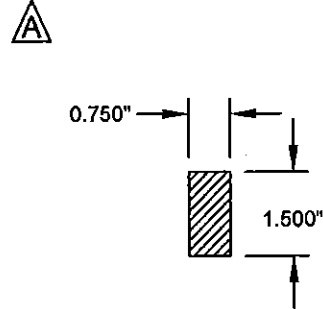
③ POCKET INSERT  
0.070" TYPICAL WALL THICKNESS



④ GLASS STOP  
0.070" TYPICAL WALL THICKNESS

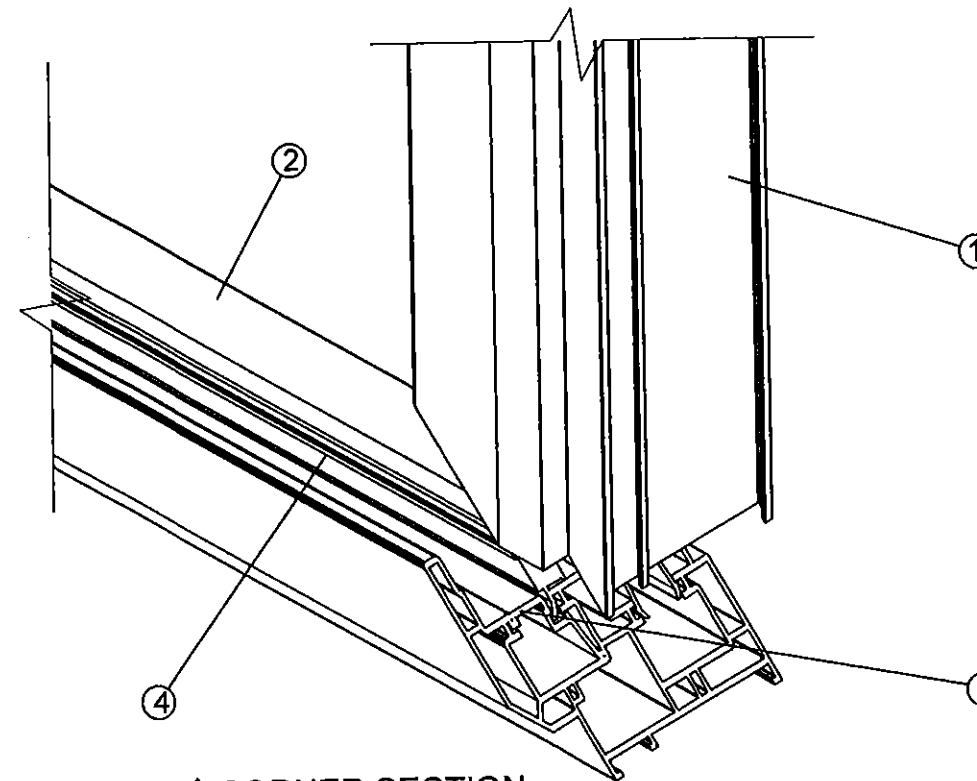


⑧ PARTING STOP



SYM #	PART #	DESCRIPTION	MATERIAL	MANUFACTURER
△ 1	IV-1060	MAIN FRAME	WHITE RIGID PVC	** RWDP △C
△ 2	IV-1070	FRAME COVER	WHITE RIGID PVC	** RWDP △C
△ 3	IV-1079	POCKET INSERT	WHITE RIGID PVC	** RWDP △C
△ 4	IV-1103	GLASS STOP	WHITE RIGID PVC	** RWDP △C
5	IV-1070	SIKA FLEX 552 SILICONE BACK BEDDING	SILICONE	SIKA
6	----	7/8" O.A. INSULATING GLASS CONSISTING OF: 1/8" INTERIOR TEMPERED GLASS, 0.39" AIR SPACE, 1/8" ANNEALED GLASS, 0.090" BUTACITE INTERLAYER BY KURARAY AMERICA, INC., 1/8" ANNEALED GLASS	GLASS	----
△ 7	----	1 1/2" X 3/4" PARTING STOP	WOOD	----
△ 8	----	#6 X 1 5/8" WOOD SCREW (INSTALLATION ANCHOR)	STEEL	----
△ 9	----	ENDUR 9.8 SS SPACER	STAINLESS STL.	CARDINAL
△ 10	2NB-8K-125-028-026	GLAZING PAD (SETTING BLOCK)	NEOPRENE	FRANK LOWE

△ \*\* RWDP: ROYAL WINDOWS AND DOOR PROFILES, PLANT NO. 13, NOA NO. 12-1120.02.



△ CORNER SECTION

PROJECT #14-0418

ADDRESS M.D. COMMENTS	DATE	BY
RJA	9/24/15	RJA
RJA	8/31/15	RJA
UPDATED TO 5TH ED. (2014) FBC	6/1/15	JBH
DESCRIPTION	DATE	BY

REGENCY PLUS, INC.  
2000 LOCUST GAP HIGHWAY  
MT. CARMEL, PA 17851

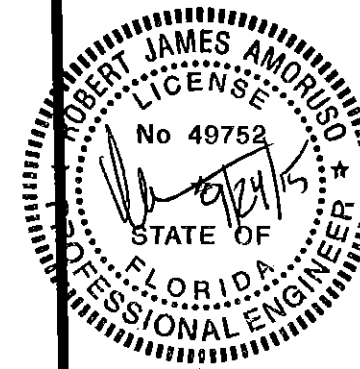
TITLE: IMPACT 5108 SERIES FIXED WINDOW COMPONENTS, BILL OF MATERIALS & CORNER SECTION

DATE: 09/16/08  
DRAWN BY: BB  
SCALE: N.T.S.  
REV: F

DATE: 09/16/08  
DRAWING NO: RPLS0060  
SHEET: 5 OF 5

PTC Product Design Group, LLC  
PO Box 520775, Longwood, FL 32752-0775  
321-690-1788 info@ptc-corp.com  
FBPE Cert. of Auth. No. 25935

Robert J. Amoruso, P.E.  
Florida P.E. No. 49752



PRODUCT REVISED  
as complying with the Florida  
Building Code  
Acceptance No 15-0618.01  
Expiration Date Jan. 28, 2019

By *Manuel Perez*  
Miami Dade Product Control