



DEPARTMENT OF REGULATORY AND ECONOMIC RESOURCES (RER)  
 BOARD AND CODE ADMINISTRATION DIVISION  
**NOTICE OF ACCEPTANCE (NOA)**

MIAMI-DADE COUNTY  
 PRODUCT CONTROL SECTION  
 11805 SW 26 Street, Room 208  
 T (786) 315-2590 F (786) 315-2599  
[www.miamidade.gov/economy](http://www.miamidade.gov/economy)

**Regency Plus, Inc.**  
**1024 Locust Gap Highway**  
**Mount Carmel, PA 17851**

**SCOPE:**

This NOA is being issued under the applicable rules and regulations governing the use of construction materials. The documentation submitted has been reviewed and accepted by Miami-Dade County RER-Product Control Section to be used in Miami-Dade County and other areas where allowed by the Authority Having Jurisdiction (AHJ).

This NOA shall not be valid after the expiration date stated below. The Miami-Dade County Product Control Section (In Miami-Dade County) and/ or the AHJ (in areas other than Miami-Dade County) reserve the right to have this product or material tested for quality assurance purposes. If this product or material fails to perform in the accepted manner, the manufacturer will incur the expense of such testing and the AHJ may immediately revoke, modify, or suspend the use of such product or material within their jurisdiction. RER reserves the right to revoke this acceptance, if it is determined by Miami-Dade County Product Control Section that this product or material fails to meet the requirements of the applicable building code.

This product is approved as described herein, and has been designed to comply with the Florida Building Code, including the High Velocity Hurricane Zone.

**DESCRIPTION: Series "5000" White PVC Single Hung Window – L.M.I.**

**APPROVAL DOCUMENT:** Drawing No. RPLS0062, titled "Impact Series 5000 Single Hung Window - L.M.I.", sheets 1 through 5 of 5, dated 11/26/08, with revision G dated 09/24/15, prepared by PTC, LLC, signed and sealed by Robert J. Amoruso, P.E., bearing the Miami-Dade County Product Control Revision stamp with the Notice of Acceptance number and Expiration date by the Miami-Dade County Product Control Section.

**MISSILE IMPACT RATING: Large and Small Missile Impact Resistant**

**LABELING:** Each unit shall bear a permanent label with the manufacturer's name or logo, city, state, series, and following statement: "Miami-Dade County Product Control Approved", unless otherwise noted herein.

**RENEWAL** of this NOA shall be considered after a renewal application has been filed and there has been no change in the applicable building code negatively affecting the performance of this product.

**TERMINATION** of this NOA will occur after the expiration date or if there has been a revision or change in the materials, use, and/ or manufacture of the product or process. Misuse of this NOA as an endorsement of any product, for sales, advertising or any other purposes shall automatically terminate this NOA. Failure to comply with any section of this NOA shall be cause for termination and removal of NOA.

**ADVERTISEMENT:** The NOA number preceded by the words Miami-Dade County, Florida, and followed by the expiration date may be displayed in advertising literature. If any portion of the NOA is displayed, then it shall be done in its entirety.

**INSPECTION:** A copy of this entire NOA shall be provided to the user by the manufacturer or its distributors and shall be available for inspection at the job site at the request of the Building Official.

This NOA revises NOA No. 14-0128.07 and consists of this page 1 and evidence pages E-1 and E-2, as well as approval document mentioned above.

The submitted documentation was reviewed by **Manuel Perez, P.E.**



*MP*  
 7/9/29/15

NOA No. 15-0618.04  
 Expiration Date: July 22, 2019  
 Approval Date: October 01, 2015  
 Page 1

NOTICE OF ACCEPTANCE: EVIDENCE SUBMITTED

**A. DRAWINGS**

1. Manufacturer's die drawings and sections.  
*(Submitted under NOA No. 08-1210.13)*
2. Drawing No. **RPLS0062**, Sheets 1 through 5 of 5, titled "Impact Series 5000 Single Hung Window", dated 11/26/08, with revision **G** dated 09/24/15, prepared by PTC, LLC, signed and sealed by Robert J. Amoruso, P.E.

**B. TESTS**

1. Test reports on:
  - 1) Air Infiltration Test, per FBC, TAS 202-94
  - 2) Uniform Static Air Pressure Test, Loading per FBC, TAS 202-94
  - 3) Water Resistance Test, per FBC, TAS 202-94
  - 4) Large Missile Impact Test per FBC, TAS 201-94
  - 5) Cyclic Wind Pressure Loading per FBC, TAS 203-94
  - 6) Forced Entry Test, per FBC 2411.3.2.1 (b) and TAS 202-94along with marked-up drawings and installation diagram of white PVC single hung window, prepared by National Certified Testing Laboratories, Test Report No. **NTCL-110-11537-1**, dated 08/18/08, revised on 09/03/08, signed and sealed by Harold E. Rupp, P.E.  
*(Submitted under NOA No. 08-1210.13)*

**C. CALCULATIONS**

1. Anchor verification calculations and structural analysis, complying with **FBC 5<sup>th</sup> Edition (2014)**, dated 09/01/15, with revision dated 09/01/15, prepared by PTC, LLC, signed and sealed by Robert J. Amoruso, P.E.
2. **Glazing complies with ASTM E1300-04e01**

**D. QUALITY ASSURANCE**

1. Miami-Dade Department of Regulatory and Economic Resources (RER).

**E. MATERIAL CERTIFICATIONS**

1. Notice of Acceptance No. **14-0916.10** issued to **Kuraray America, Inc.** for their "**Kuraray Butacite® PVB Glass Interlayer**" dated 04/25/15, expiring on 12/11/16.
2. Notice of Acceptance No. **12-1120.02**, issued to **Royal Window and Door Profiles, Plant 13**, for their **White Rigid PVC Exterior Extrusions**, approved on 02/28/13, expiring on 02/28/18.



Manuel Perez, P.E.  
Product Control Examiner  
NOA No. 15-0618.04

Expiration Date: July 22, 2019  
Approval Date: October 01, 2015

Regency Plus, Inc.

NOTICE OF ACCEPTANCE: EVIDENCE SUBMITTED

**F. STATEMENTS**

1. Statement letter of conformance to, of complying with **FBC 5<sup>th</sup> Edition (2014)** and of no financial interest, dated 03/18/15, prepared by PTC, LLC, signed and sealed by Robert J. Amoruso, P.E.
2. Laboratory addendum letters in the Test Report No. **NTCL-110-11537-1**, issued by National Certified Testing Laboratories, dated 03/31/09 and on 05/01/09, both signed and sealed by Harold E. Rupp, P.E.  
*(Submitted under NOA No. 08-1210.13)*
3. Laboratory compliance letter in the Test Report No. **NTCL-110-11537-1**, issued by National Certified Testing Laboratories, dated 08/18/08, signed and sealed by Harold E. Rupp, P.E.  
*(Submitted under NOA No. 08-1210.13)*

**G. OTHERS**

1. Notice of Acceptance No. **14-0128.07**, issued to Regency Plus, Inc. for their Series "5000" White PVC Single Hung Window – L.M.I., approved on 03/20/14 and expiring on 07/22/19.



Manuel Perez, P.E.

Product Control Examiner

NOA No. 15-0618.04

Expiration Date: July 22, 2019

Approval Date: October 01, 2015

# REGENCY PLUS, INC.

## IMPACT SERIES 5000 SINGLE HUNG WINDOW - LMI INSTALLATION ANCHORAGE DETAILS

**GENERAL NOTES:**

1. THE PRODUCT ANCHORAGE SHOWN HEREIN IS DESIGNED TO COMPLY WITH 5TH EDITION (2014) FLORIDA BUILDING CODE (FBC) - BUILDING AND RESIDENTIAL VOLUMES INCLUDING THE HIGH VELOCITY HURRICANE ZONE (HVHZ) AT THE DESIGN PRESSURE(S) STATED HEREIN.
2. THE PRODUCT DETAILS CONTAINED HEREIN ARE BASED UPON SIGNED AND SEALED TEST REPORT # NCTL-110-11537-1 DATED 09/3/08 AND ASSOCIATED LABORATORY STAMPED DRAWINGS AND WERE TESTED IN ACCORDANCE WITH HIGH VELOCITY HURRICANE ZONE TESTING PROTOCOLS TAS-201, TAS-202 AND TAS-203.
3. THE PRODUCT HAS BEEN EVALUATED FOR CONFORMANCE TO THE STANDARDS LISTED IN THE 5TH EDITION (2014) FLORIDA BUILDING CODE (FBC) - BUILDING AND RESIDENTIAL VOLUMES AND IS IN COMPLIANCE WITH SAID STANDARDS INCLUDING HIGH VELOCITY HURRICANE ZONE (HVHZ) REQUIREMENTS.
4. ADEQUACY OF THE EXISTING STRUCTURAL CONCRETE MASONRY AND 2X FRAMING AS A MAIN WIND FORCE RESISTING SYSTEM CAPABLE OF WITHSTANDING AND TRANSFERRING APPLIED PRODUCT LOADS TO THE STRUCTURE IS THE RESPONSIBILITY OF THE ENGINEER OR ARCHITECT OF RECORD.
5. 1X AND 2X BUCKS (WHEN USED) SHALL BE DESIGNED AND ANCHORED TO PROPERLY TRANSFER ALL LOADS TO THE STRUCTURE. BUCK DESIGN AND INSTALLATION IS THE RESPONSIBILITY OF THE ENGINEER OR ARCHITECT OF RECORD.
6. THE INSTALLATION DETAILS DESCRIBED HEREIN ARE GENERIC AND MAY NOT REFLECT ACTUAL CONDITIONS FOR A SPECIFIC SITE. IF SITE CONDITIONS CAUSE INSTALLATION TO DEVIATE FROM THE REQUIREMENTS DETAILED HEREIN, THEN THE BUILDING OFFICIAL MAY ELECT ONE OF THE FOLLOWING OPTIONS:
  - A. OUTSIDE HVHZ: REQUIRE THAT A LICENSED ENGINEER OR ARCHITECT PREPARE AND SUBMIT SITE SPECIFIC DOCUMENTS FOR USE WITH THIS DOCUMENT.
  - B. INSIDE HVHZ: REQUIRE THAT A ONE-TIME SITE SPECIFIC APPROVAL BE APPLIED FOR AND OBTAINED FROM THE MIAMI-DADE COUNTY PRODUCT CONTROL.

- 7. MATERIALS:**
- 7.1 WINDOW FRAME MATERIAL: ROYAL WINDOW & DOOR PROFILES. PLANT 13 RIGID VINYL PVC PER MIAMI-DADE NOTICE OF ACCEPTANCE (NOA) NO. 12-1120.02.
  - 7.2 GLAZING INTERLAYER KURARAY AMERICA, INC. BUTACITE INTERLAYER PER MIAMI-DADE NOTICE OF ACCEPTANCE (NOA) NO. 14-0916.10.
8. NOT USED.
9. GLASS MEETS THE REQUIREMENTS OF ASTM E1300-04e1.
10. DESIGNATIONS "X" AND "O" STAND FOR THE FOLLOWING:  
X: OPERABLE PANEL  
O: FIXED PANEL
11. A 1/3 INCREASE IN ALLOWABLE STRESS FOR WIND LOADS WAS NOT USED IN THE DESIGN OF THE PRODUCT(S) SHOWN HEREIN. WIND LOAD DURATION FACTOR (Cd = 1.6) HAS BEEN USED FOR WOOD ANCHOR DESIGN WHERE WOOD-ONLY FAILURE GOVERNS. FOR OTHER MATERIALS, APPROPRIATE SAFETY FACTORS PER THE APPLICABLE DESIGN STANDARD ARE USED.
12. WHERE WIND-BOURNE DEBRIS PROTECTION REQUIREMENTS EXIST, USE OF AN APPROVED IMPACT PROTECTIVE SYSTEM IS NOT REQUIRED.

**INSTALLATION NOTES:**

1. ONE (1) INSTALLATION ANCHOR IS REQUIRED AT EACH ANCHOR LOCATION SHOWN.
2. THE NUMBER OF INSTALLATION ANCHORS DEPICTED IS THE MINIMUM NUMBER OF ANCHORS TO BE USED FOR PRODUCT INSTALLATION.
3. SHIM AS REQUIRED AT EACH INSTALLATION ANCHOR THRU MAIN FRAME WITH LOAD BEARING SHIM(S). MAXIMUM ALLOWABLE SHIM SIZE IS 1/4 INCH. SHIM WHERE SPACE OF 1/16 INCH OR GREATER OCCURS. SHIM(S) SHALL BE CONSTRUCTED OF HIGH DENSITY PLASTIC OR BETTER.
4. FOR INSTALLATION INTO WOOD FRAMING, USE #12 WOOD SCREWS OF SUFFICIENT LENGTH TO ACHIEVE 1-1/2 INCH MINIMUM EMBEDMENT. MINIMUM EDGE DISTANCE IS 7/8 INCH.
5. FOR INSTALLATION THROUGH 1X BUCK TO CONCRETE / MASONRY, OR DIRECTLY INTO CONCRETE / MASONRY, USE 1/4 INCH ITW ADVANCED THREADFORM TAPCONS OF SUFFICIENT LENGTH TO ACHIEVE THE FOLLOWING:
  - 5.1. CONCRETE SUBSTRATE
    - 5.1.1. 1 1/2 INCH MINIMUM EMBEDMENT
    - 5.1.2. 1-1/2 INCH MINIMUM EDGE DISTANCE
  - 5.2. MASONRY SUBSTRATE
    - 5.2.1. 1 INCH MINIMUM EMBEDMENT
    - 5.2.2. 2 INCH MINIMUM EDGE DISTANCE
6. FOR PARTING STOP INSTALLATION USE #8 X 1 1/2" WOOD SCREWS. 3/8" INCH MIN. EDGE DISTANCE REQ'D.
7. MINIMUM EMBEDMENT AND EDGE DISTANCE EXCLUDE WALL FINISHES, INCLUDING BUT NOT LIMITED TO STUCCO, FOAM, BRICK VENEER AND SIDING.

8. INSTALLATION ANCHORS AND ASSOCIATED HARDWARE MUST BE MADE OF CORROSION RESISTANT MATERIAL OR HAVE A CORROSION RESISTANT COATING.
9. FOR HOLLOW BLOCK AND GROUT FILLED BLOCK, DO NOT INSTALL INSTALLATION ANCHORS INTO MORTAR JOINTS. EDGE DISTANCE IS MEASURED FROM FREE EDGE OF BLOCK OR EDGE OF MORTAR JOINT INTO FACE SHELL OF BLOCK.
10. INSTALLATION ANCHORS SHALL BE INSTALLED IN ACCORDANCE WITH ANCHOR MANUFACTURER'S INSTALLATION INSTRUCTIONS AND ANCHORS SHALL NOT BE USED IN SUBSTRATES WITH STRENGTHS LESS THAN THE MINIMUM STRENGTH SPECIFIED BY THE ANCHOR MANUFACTURER.
11. INSTALLATION ANCHOR CAPACITIES FOR PRODUCTS HEREIN ARE BASED ON SUBSTRATE MATERIALS WITH THE FOLLOWING PROPERTIES:
  - A. WOOD PROTECTION. WOOD - PRESSURE TREATED (PT) SOUTHERN YELLOW PINE. MINIMUM SPECIFIC GRAVITY OF 0.55 LUMBER MUST COMPLY WITH 5TH EDITION FBC/FRC AS RELATED TO WOOD PROTECTION.
  - B. CONCRETE - MINIMUM COMPRESSIVE STRENGTH OF 2500 psi AND CONFORMS TO ACI 301.
  - C. MASONRY - STRENGTH CONFORMS TO ASTM C90, MEDIUM WEIGHT WITH DENSITY > 117 PCF.

TABLE OF CONTENTS		
SHEET	REV.	SHEET DESCRIPTION
1	E	GENERAL NOTES, INSTALLATION NOTES & D.P. CHART
2	E	ELEVATION AND ANCHOR LAYOUT
3	E	VERTICAL SECTIONS
4	E	HORIZONTAL SECTIONS, GLAZING DETAIL & BILL OF MATERIALS
5	E	COMPONENTS & CORNER DETAIL

DESIGN PRESSURE RATING (PSF)	IMPACT RATING
±55.0	LARGE MISSILE IMPACT

PROJECT #414-0418				
REV	DESCRIPTION	DATE	BY	RJA
G	INCORPORATE M.D. RFI COMMENTS	9/24/15		RJA
F	INCORPORATE M.D. RFI COMMENTS	9/1/15		RJA
E	UPDATED TO THE 5TH ED. (2014) FBC	6/1/15		RJA

**REGENCY PLUS, INC.**  
2000 LOCUST GAP HIGHWAY  
MT. CARMEL, PA 17851

**IMPACT SERIES 5000 SINGLE HUNG WINDOW - LMI  
GENERAL AND INSTALLATION NOTES**

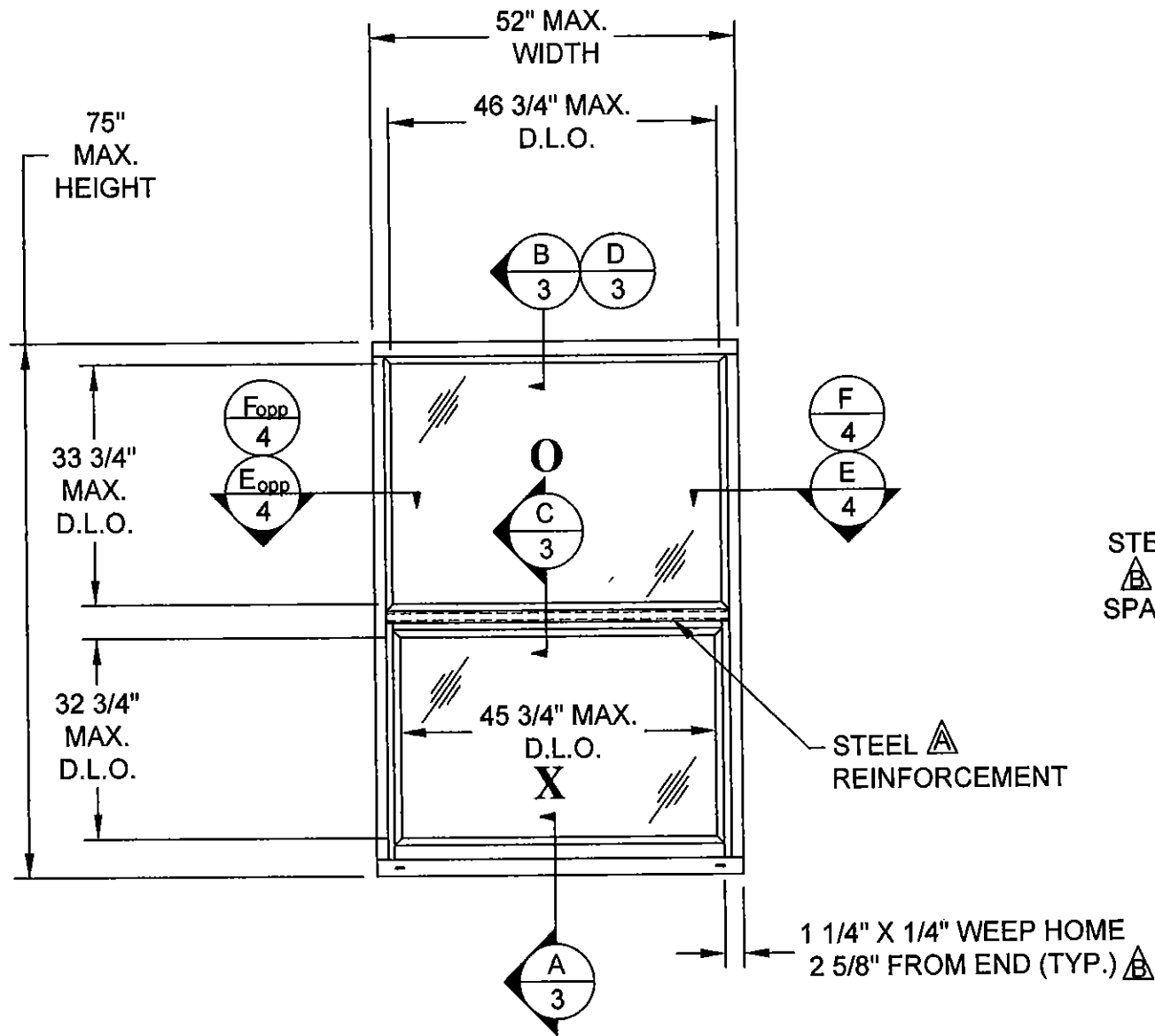
DRAWN BY: SMC	DATE: 11/26/08
SCALE: N.T.S.	DRAWING NO: RPLS0062
REV: G	SHEET: 1 OF 5

PTC Product Design Group, LLC  
PO Box 520775, Longwood, FL 32752-0775  
321-690-1788 info@ptc-corp.com  
FBPE Cert. of Auth. No. 25935

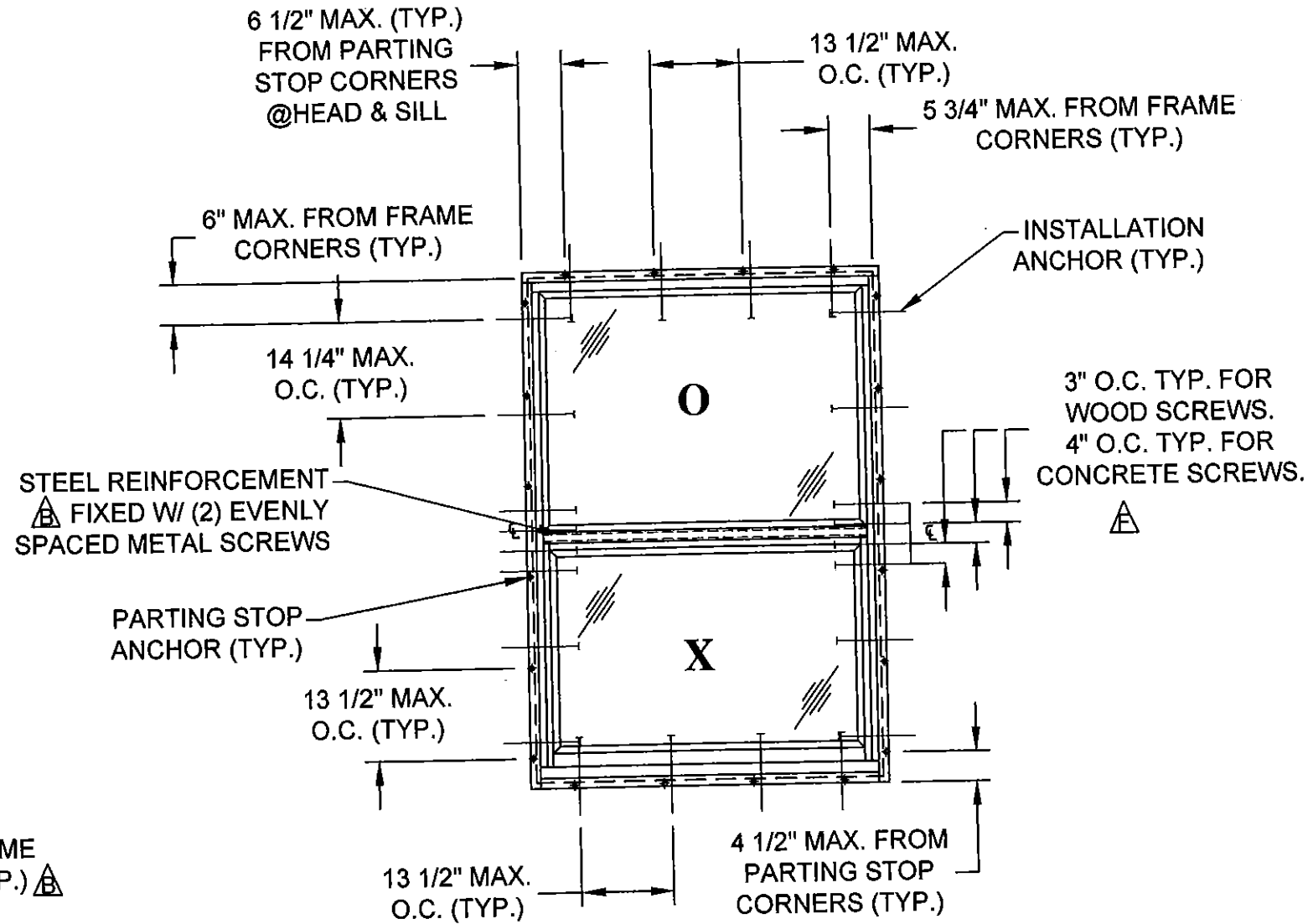
Robert J. Amoroso, P.E.  
Florida P.E. No. 49752

PRODUCT REVISED as complying with the Florida Building Code Acceptance No 15-0618.04 Expiration Date July 21, 2019

By *Manuel Serrano*  
Miami Dade Product Control



**ELEVATION**   
EXTERIOR VIEW



**ANCHOR LAYOUT**  
EXTERIOR VIEW

PROJECT #414-0418

REV	DESCRIPTION	DATE	BY
G	INCORPORATE M.D. RFI COMMENTS	9/24/15	RJA
F	INCORPORATE M.D. RFI COMMENTS	9/1/15	RJA
E	UPDATED TO THE 5TH ED. (2014) FBC	6/1/15	RJA

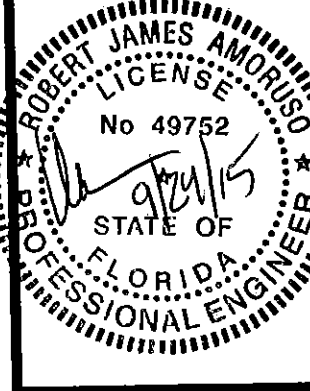
REGENCY PLUS, INC.  
2000 LOCUST GAP HIGHWAY  
MT. CARMEL, PA 17851

TITLE: IMPACT SERIES 5000 SINGLE HUNG WINDOW - LMI  
ELEVATION AND ANCHOR LAYOUT


DRAWN BY: SMC  
DATE: 11/26/08  
SCALE: N.T.S.  
DRAWING NO.: RPLS0062  
REV: G  
SHEET: 2 OF 5

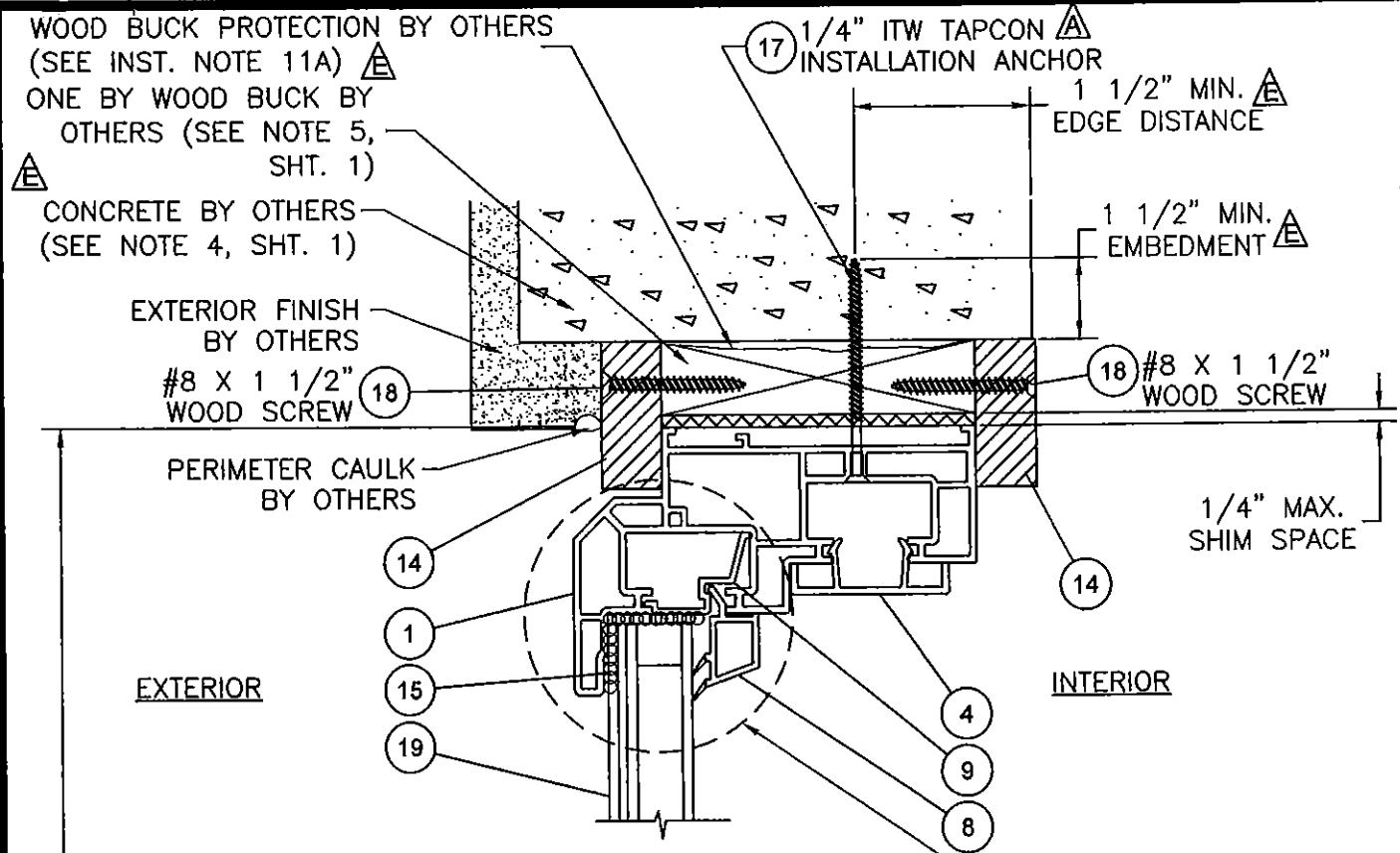
PTC Product Design Group, LLC  
PO Box 520775, Longwood, FL 32752-0775  
321-680-1788 info@ptc-comp.com  
FBPE Cert. of Auth. No. 25935

Robert J. Amoruso, P.E.  
Florida P.E. No. 49752

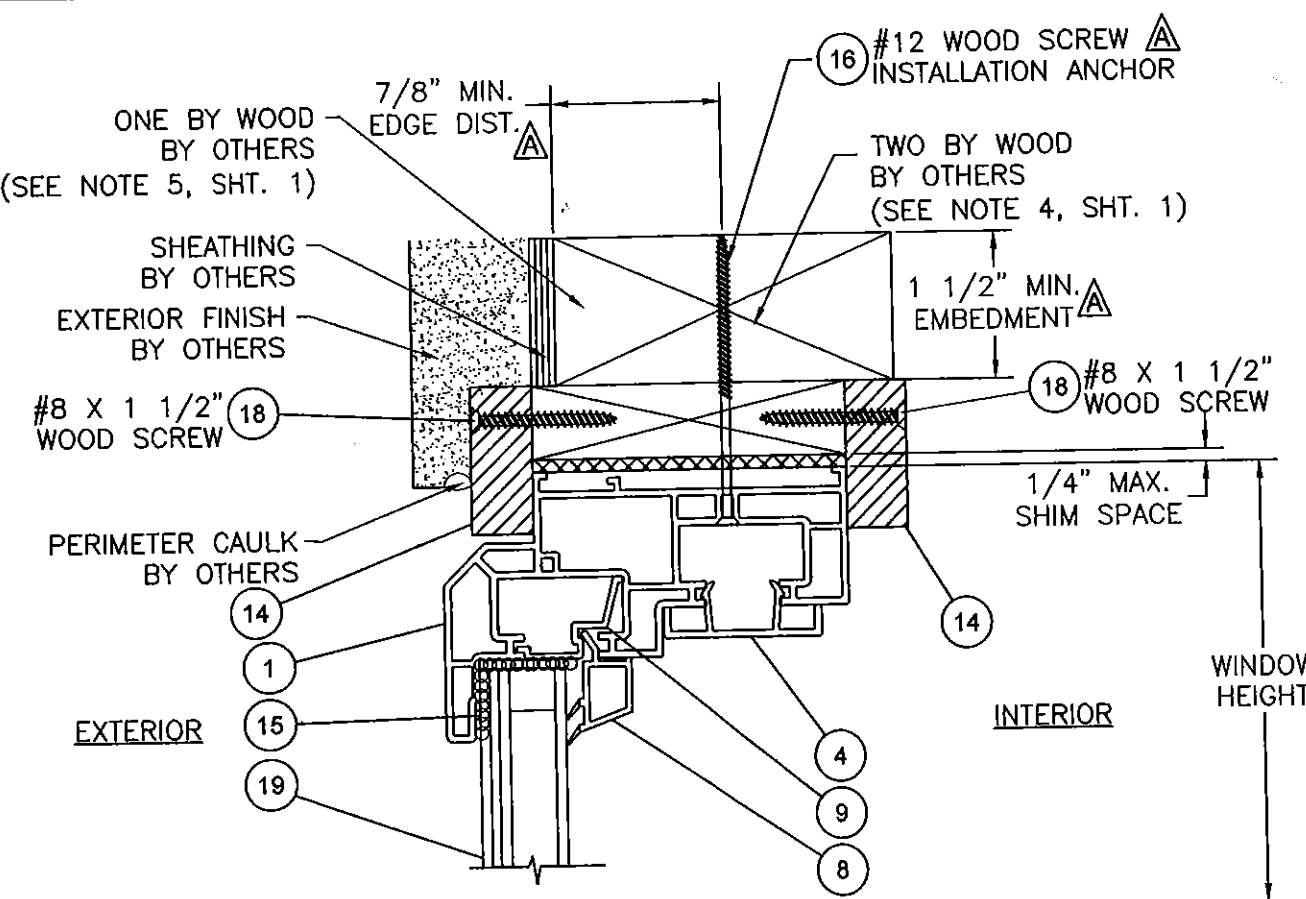


PRODUCT REVISED  
as complying with the Florida  
Building Code  
Acceptance No 15-0618.04  
Expiration Date July 22, 2019

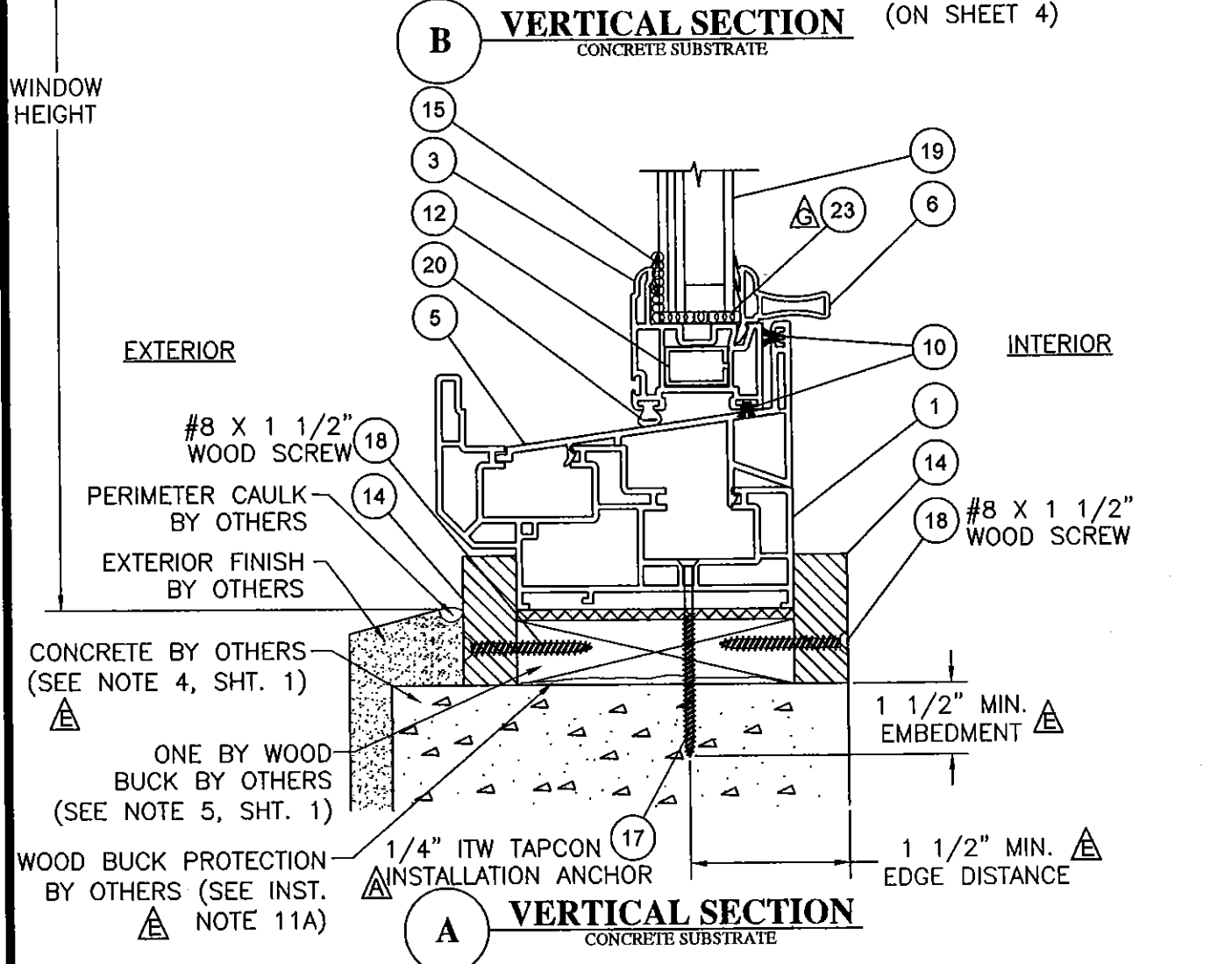
By   
Miami Dade Product Control



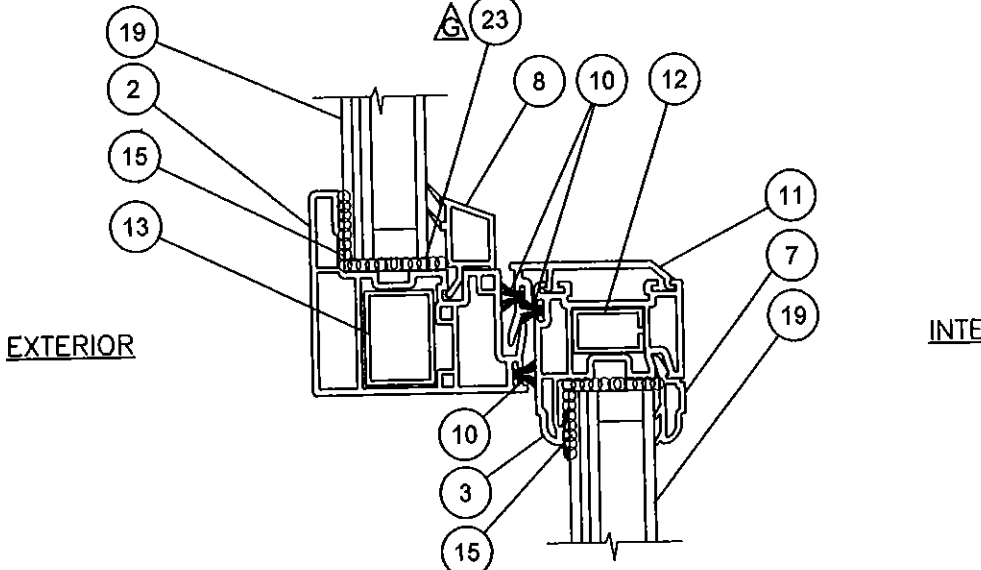
**A VERTICAL SECTION**  
CONCRETE SUBSTRATE



**D VERTICAL SECTION**  
WOOD SUBSTRATE



**B VERTICAL SECTION**  
CONCRETE SUBSTRATE

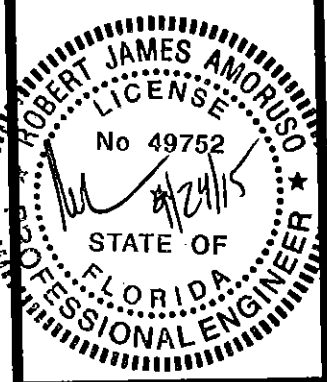


**C VERTICAL SECTION**  
SASH AT FIXED RAIL

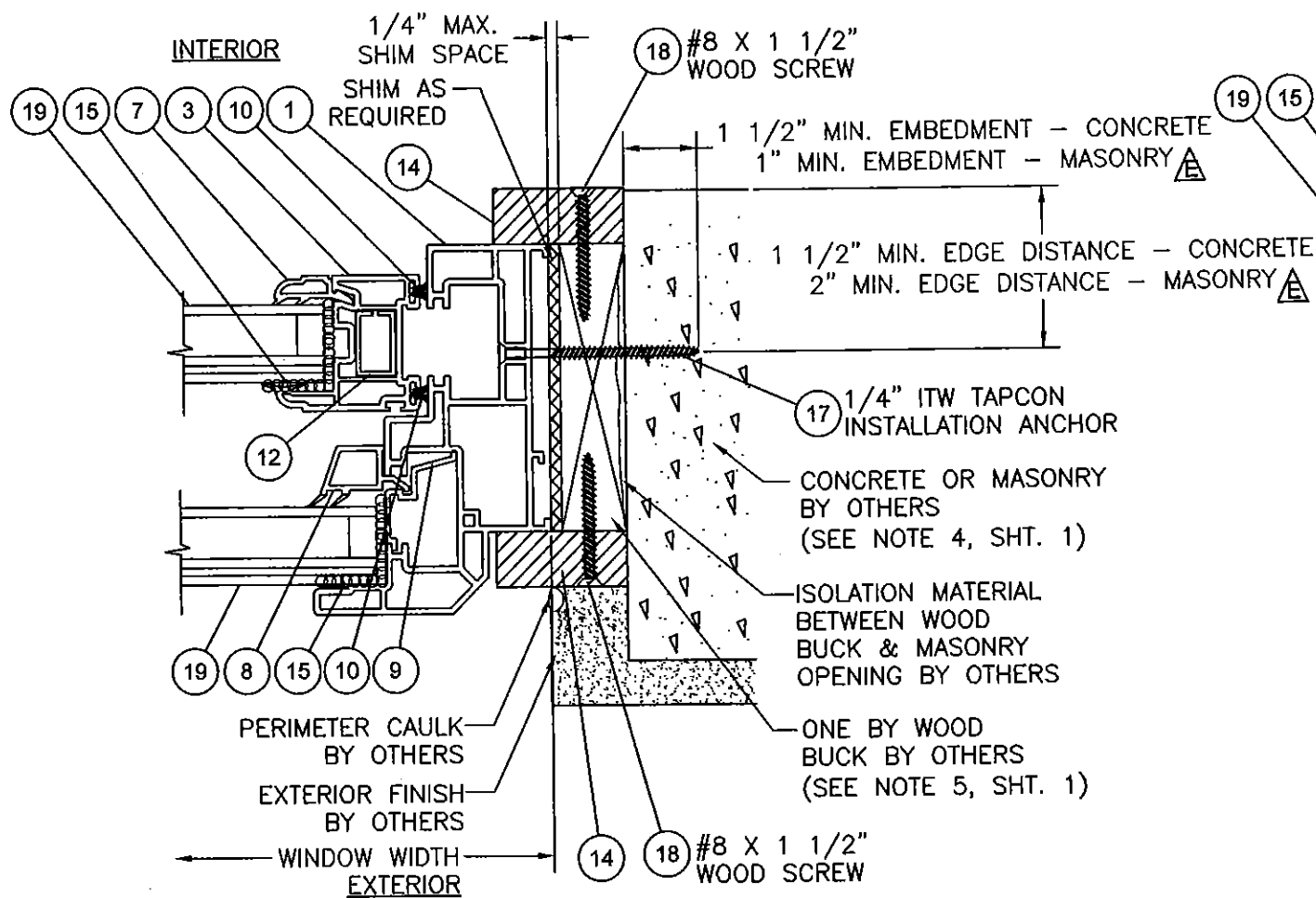
PROJECT #414-0418	RJA	RJA	RJA	BY
INCORPORATE M.D. RFI COMMENTS	9/24/15	9/1/15	6/1/15	DATE
INCORPORATE M.D. RFI COMMENTS				
UPDATED TO THE 5TH ED. (2014) FBC				
DESCRIPTION				
REV				

REGENCY PLUS, INC. 2000 LOCUST GAP HIGHWAY MT. CARMEL, PA 17851	DATE: 11/26/08	REVISION: 3 OF 5
TITLE: IMPACT SERIES 5000 SINGLE HUNG WINDOW - LMI VERTICAL SECTIONS	DRAWN BY: SMC	DRAWING NO: RPLS0062
	SCALE: N.T.S.	REV: G
	PTC Product Design Group, LLC PO Box 520775, Longwood, FL 32752-0775	
	321-690-1788 info@ptc-co.com	
	FBPE Cert. of Auth. No. 25935	

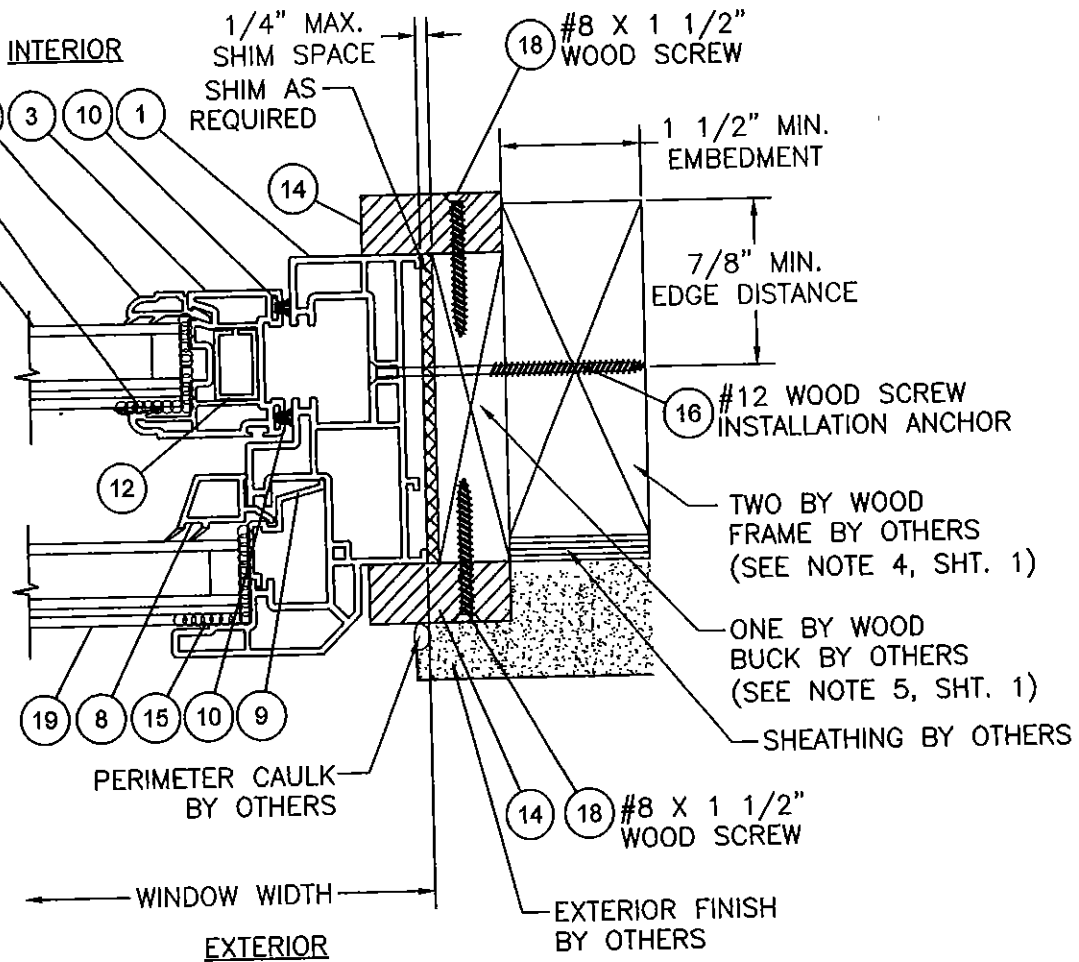
Robert J. Amoruso, P.E.  
Florida P.E. No. 49752



PRODUCT REVISED as complying with the Florida Building Code  
Acceptance No. 15-0618.04  
Expiration Date July 27, 2019  
By *Wmuel Perez*  
Miami Dade Product Control



**E HORIZONTAL SECTION**  
CONCRETE / MASONRY SUBSTRATE



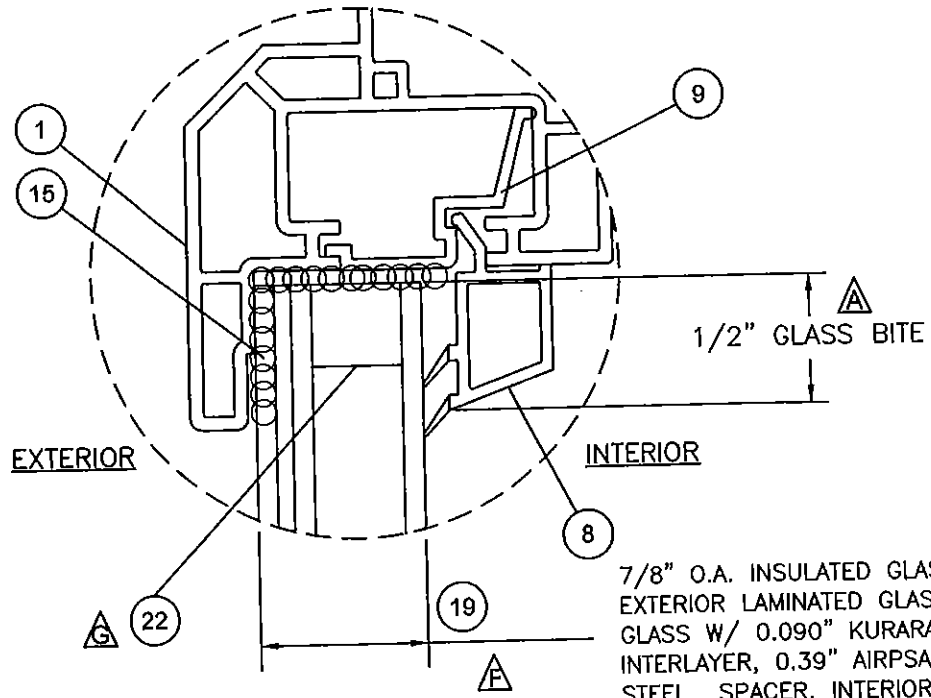
**F HORIZONTAL SECTION**  
WOOD SUBSTRATE

\*ASTM A-A1008A / A109

**BILL OF MATERIALS**

\*\* RWDP: ROYAL WINDOWS AND DOOR PROFILES, PLANT NO. 13 MD NOA NO. 12-1120.02.

ITEM #	DESCRIPTION	MATERIAL	MANUFACTURER
1	MAIN FRAME	WHITE RIGID PVC	**RWDP
2	FIXED MEETING RAIL	WHITE RIGID PVC	**RWDP
3	SASH & MEETING RAIL	WHITE RIGID PVC	**RWDP
4	PANEL STOP / FRAME COVER	WHITE RIGID PVC	**RWDP
5	SLOPED SILL COVER	WHITE RIGID PVC	**RWDP
6	GLAZING STOP WITH HANDLE	WHITE RIGID PVC	**RWDP
7	GLAZING STOP (OPERABLE SASH)	WHITE RIGID PVC	**RWDP
8	GLAZING STOP (FIXED FRAME)	WHITE RIGID PVC	**RWDP
9	POCKET INSERT	WHITE RIGID PVC	**RWDP
10	0.270" HIGH CENTER FIN WEATHERSTRIP	VINYL	----
11	INTERLOCK COVER	WHITE RIGID PVC	**RWDP
12	REINFORCEMENT (SASH) 15 GA.	STEEL ALLOY 1008/1010*	REGENCY PLUS, INC.
13	REINFORCEMENT (FIXED MEETING RAIL) 15 GA.	STEEL ALLOY 1008/1010*	REGENCY PLUS, INC.
14	PARTING STOP	WOOD PT SYP	G=0.55 MIN.
15	SIKA FLEX 552 SILICONE	SILICONE	SIKA
16	#12 WOOD SCREW (INSTALLATION ANCHOR)	STEEL	----
17	1/4" ITW ADVANCED THREADFORM TAPCON	STEEL	ITW
18	#8 X 1 1/2" WOOD SCREW	STEEL	----
19	7/8" O.A. INSULATED GLASS (SEE GLAZING DETAIL, SHT 4)	GLASS	----
20	BULB VINYL WEATHERSTRIP	VINYL	----
21	HURRICANE TILT LATCH (1057 EW)(SEE NOTE BELOW)	STEEL - ZINC COATED	VISION IND.
22	ENDUR 9.8 SS SPACER	STAINLESS STEEL	CARDINAL
23	GLAZING PAD (SETTING BLOCK - 2NB-8K-125-028-026)	NEOPRENE	FRANK LOWE



**GLAZING DETAIL**

7/8" O.A. INSULATED GLASS UNIT CONSISTING OF: EXTERIOR LAMINATED GLASS - (2) 1/8" ANNEALED GLASS W/ 0.090" KURARAY AMERICA INC. BUTACITE INTERLAYER, 0.39" AIRSPACE W/ DESICCANT MATRIX STEEL SPACER, INTERIOR 1/8" TEMPERED GLASS

NOTE: HURRICANE TILT LATCH BY VISION IND. USED TO SECURE OPERATING SASH TO MASTER FRAME. NOT SHOWN IN DRAWING.

PROJECT #414-0418

INCORPORATE M.D.	9/24/15	RJA	BY
INCORPORATE M.D.	9/1/15	RJA	DATE
UPDATED TO THE 5TH ED. (2014) FBC	6/1/15	RJA	DESCRIPTION
REV			

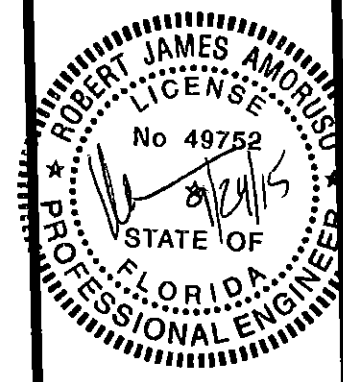
REGENCY PLUS, INC.  
2000 LOCUST GAP HIGHWAY  
MT. CARMEL, PA 17851

TITLE: IMPACT SERIES 5000 SINGLE HUNG WINDOW - LMI HORIZONTAL SECTIONS, GLAZING DETAIL & BILL OF MATERIALS

DRAWN BY: SMC DATE: 11/26/08  
SCALE: N.T.S. DRAWING NO.: RPLS0062  
REV: G SHEET: 4 OF 5

PTC Product Design Group, LLC  
PO Box 520775, Longwood, FL 32752-0775  
321-690-1788 info@ptc-corp.com  
FBPE Cert. of Auth. No. 25935

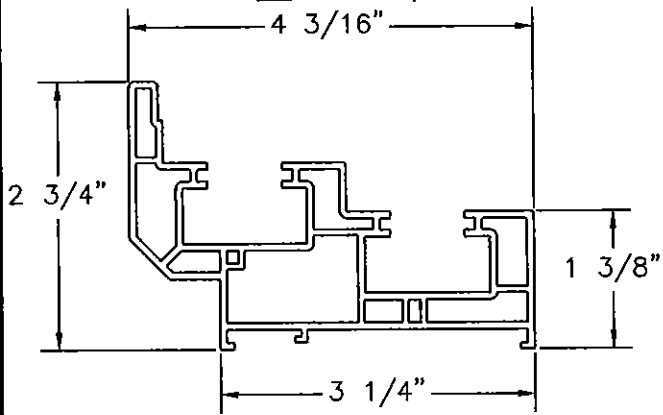
Robert J. Amoruso, P.E.  
Florida P.E. No. 49752



PRODUCT REVISED as complying with the Florida Building Code  
Acceptance No 15-0618.04  
Expiration Date 12/22/2019  
By Manuel [Signature]  
Miami Trade Product Control

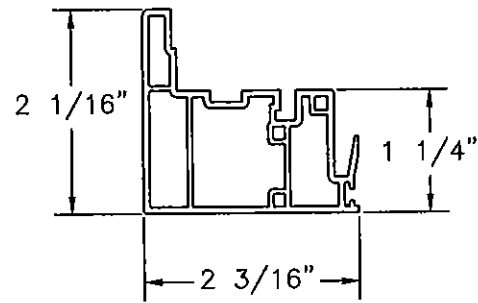
**① MAIN FRAME**

WHITE RIGID PVC  
0.070" THK.



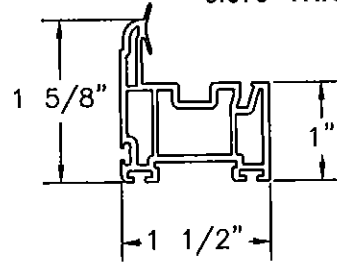
**② FIXED MEETING RAIL**

WHITE RIGID PVC  
0.066" THK.

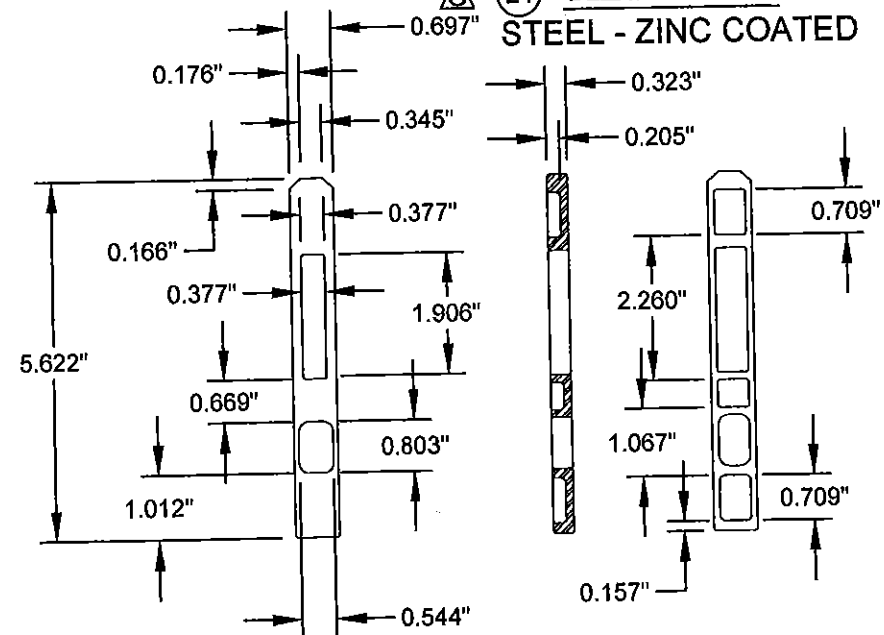


**③ SASH & MEETING RAIL**

WHITE RIGID PVC  
0.070" THK.

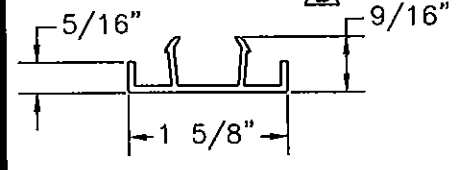


**⑳ TILT LATCH**  
STEEL - ZINC COATED



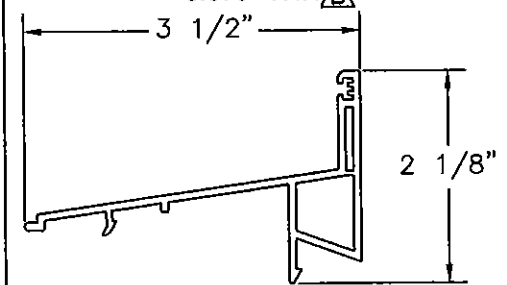
**④ PANEL STOP / FRAME COVER**

WHITE RIGID PVC  
0.070" THK.



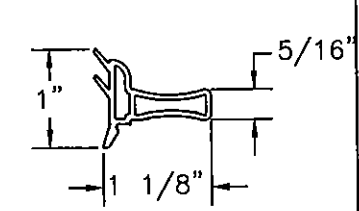
**⑤ SLOPED SILL COVER**

WHITE RIGID PVC  
0.075" THK.



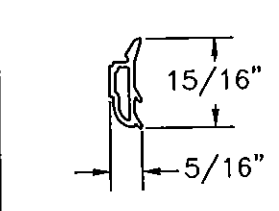
**⑥ GLAZING STOP / LIFT HANDLE**

WHITE RIGID PVC  
0.055" THK.



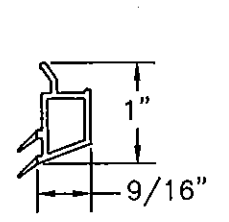
**⑦ GLAZING STOP**

OPERABLE SASH  
WHITE RIGID PVC  
0.055" THK.



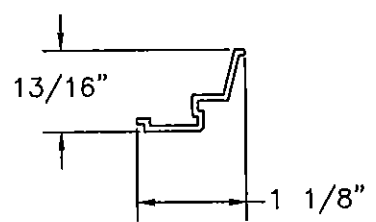
**⑧ GLAZING STOP**

FIXED LITE  
WHITE RIGID PVC  
0.070" THK.



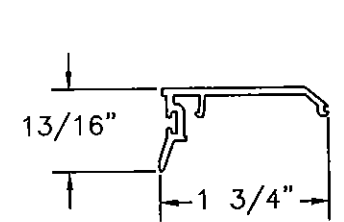
**⑨ POCKET INSERT**

WHITE RIGID PVC  
0.070" THK.



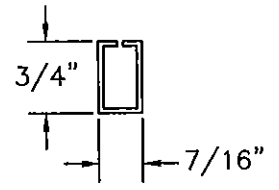
**⑪ INTERLOCK COVER**

WHITE RIGID PVC  
0.075" THK.



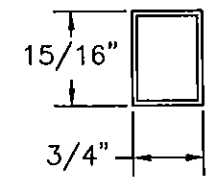
**⑫ REINFORCEMENT**

STEEL  
0.050" THICK  
Fy = 30 - 50 KSI  
Fu = 37.5 - 68.7 KPSI



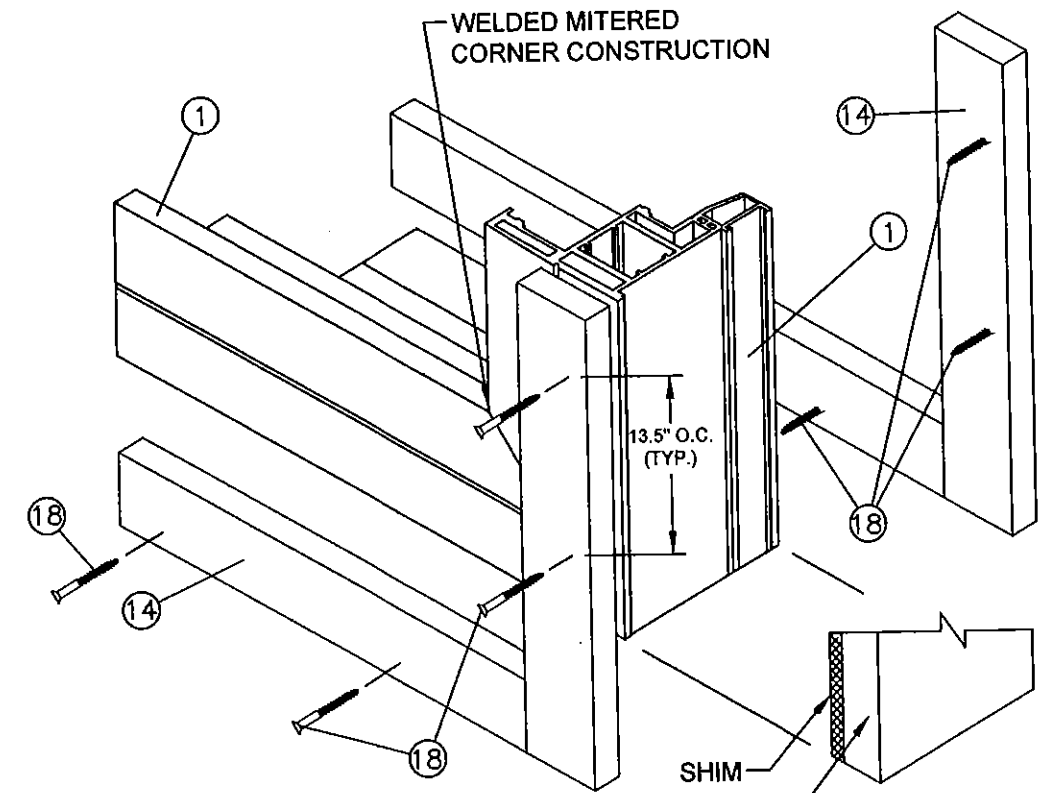
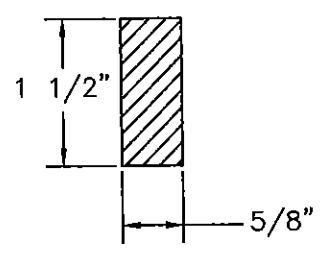
**⑬ REINFORCEMENT**

STEEL  
0.050" THICK  
Fy = 30 - 50 KSI  
Fu = 37.5 - 68.7 KPSI



**⑭ PARTING STOP**

WOOD



NOTE: **CORNER DETAIL** 1X PT WOOD BUCK BY OTHERS  
PARTING STOP EXTERIOR PERIMETER TO BE SEALED TO 1X PT WOOD BUCK WITH SIKA 551 SILICONE

PROJECT #414-0418

INCORPORATE M.D. RFI COMMENTS	9/24/15	RJA	DATE
INCORPORATE M.D. RFI COMMENTS	9/1/15	RJA	DATE
UPDATED TO THE 5TH ED. (2014) FBC	6/1/15	RJA	DATE
REV	DESCRIPTION	BY	DATE

REGENCY PLUS, INC.  
2000 LOCUST GAP HIGHWAY  
MT. CARMEL, PA 17851

TITLE: IMPACT SERIES 5000 SINGLE HUNG WINDOW - LMI COMPONENTS & CORNER DETAIL

DATE: 11/26/08  
DRAWN BY: SMC  
SCALE: N.T.S.  
DRAWING NO: RPLS00062  
REV: G  
SHEET: 5 OF 5

PTC Product Design Group, LLC  
PO Box 520775, Longwood, FL 32752-0775  
321-680-1788 info@ptc-com.com  
FBPE Cert. of Auth. No. 25885

Robert J. Amoroso, P.E.  
Florida P.E. No. 49752

PRODUCT REVISED as complying with the Florida Building Code  
Acceptance No 15-0618.04  
Expiration Date: July 22, 2019  
By: *Manuel Perez*  
Miami Made Product Control