



DEPARTMENT OF REGULATORY AND ECONOMIC RESOURCES (RER)
 BOARD AND CODE ADMINISTRATION DIVISION
NOTICE OF ACCEPTANCE (NOA)

MIAMI-DADE COUNTY
 PRODUCT CONTROL SECTION
 11805 SW 26 Street, Room 208
 T (786) 315-2590 F (786) 315-2599
www.miamidade.gov/economy

Regency Plus, Inc.
 1024 Locust Gap Highway
 Mount Carmel, PA 17851

SCOPE:

This NOA is being issued under the applicable rules and regulations governing the use of construction materials. The documentation submitted has been reviewed and accepted by Miami-Dade County RER-Product Control Section to be used in Miami-Dade County and other areas where allowed by the Authority Having Jurisdiction (AHJ).

This NOA shall not be valid after the expiration date stated below. The Miami-Dade County Product Control Section (In Miami-Dade County) and/ or the AHJ (in areas other than Miami-Dade County) reserve the right to have this product or material tested for quality assurance purposes. If this product or material fails to perform in the accepted manner, the manufacturer will incur the expense of such testing and the AHJ may immediately revoke, modify, or suspend the use of such product or material within their jurisdiction. RER reserves the right to revoke this acceptance, if it is determined by Miami-Dade County Product Control Section that this product or material fails to meet the requirements of the applicable building code.

This product is approved as described herein, and has been designed to comply with the Florida Building Code, including the High Velocity Hurricane Zone.

DESCRIPTION: Series "5205" Outswing White PVC Casement Window – L.M.I.

APPROVAL DOCUMENT: Drawing No. RPLS0061, titled "Series '5205' Vinyl Impact Casement Window – LMI", sheets 1 through 5 of 5, dated 10/14/08, with revision J dated 09/24/15, prepared by PTC, LLC, signed and sealed by Robert J. Amoruso, P.E., bearing the Miami-Dade County Product Control Revision stamp with the Notice of Acceptance number and Expiration date by the Miami-Dade County Product Control Section.

MISSILE IMPACT RATING: Large and Small Missile Impact Resistant

LABELING: Each unit shall bear a permanent label with the manufacturer's name or logo, city, state, series, and following statement: "Miami-Dade County Product Control Approved", unless otherwise noted herein.

RENEWAL of this NOA shall be considered after a renewal application has been filed and there has been no change in the applicable building code negatively affecting the performance of this product.

TERMINATION of this NOA will occur after the expiration date or if there has been a revision or change in the materials, use, and/ or manufacture of the product or process. Misuse of this NOA as an endorsement of any product, for sales, advertising or any other purposes shall automatically terminate this NOA. Failure to comply with any section of this NOA shall be cause for termination and removal of NOA.

ADVERTISEMENT: The NOA number preceded by the words Miami-Dade County, Florida, and followed by the expiration date may be displayed in advertising literature. If any portion of the NOA is displayed, then it shall be done in its entirety.

INSPECTION: A copy of this entire NOA shall be provided to the user by the manufacturer or its distributors and shall be available for inspection at the job site at the request of the Building Official.

This NOA revises NOA No. 13-1009.10 and consists of this page 1 and evidence pages E-1 and E-2, as well as approval document mentioned above.

The submitted documentation was reviewed by Manuel Perez, P.E.



MP
 7/9/29/15

NOA No. 15-0618.05
 Expiration Date: May 06, 2019
 Approval Date: October 01, 2015
 Page 1

NOTICE OF ACCEPTANCE: EVIDENCE SUBMITTED

A. DRAWINGS

1. Manufacturer's die drawings and sections.
(Submitted under NOA No. 08-1118.10)
2. Drawing No. **RPLS0061**, titled "Series '5205' Vinyl Impact Casement Window – LMI", sheets 1 through 5 of 5, dated 10/14/08, with revision **J** dated 09/24/15, prepared by PTC, LLC, signed and sealed by Robert J. Amoruso, P.E.

B. TESTS

1. Test reports on:
 - 1) Air Infiltration Test, per FBC, TAS 202-94
 - 2) Uniform Static Air Pressure Test, Loading per FBC, TAS 202-94
 - 3) Water Resistance Test, per FBC, TAS 202-94
 - 4) Large Missile Impact Test per FBC, TAS 201-94
 - 5) Cyclic Wind Pressure Loading per FBC, TAS 203-94
 - 6) Forced Entry Test, per FBC 2411.3.2.1 (b) and TAS 202-94along with marked-up drawings and installation diagram of white PVC single hung window, prepared by National Certified Testing Laboratories, Test Report No. **NTCL-110-11618-1**, dated 10/02/08, signed and sealed by Harold E. Rupp, P.E.
(Submitted under NOA No. 08-1118.10)

C. CALCULATIONS

1. Anchor verification calculations and structural analysis, complying with **FBC 5th Edition (2014)**, dated 09/03/15, prepared by PTC, LLC, signed and sealed by Robert J. Amoruso, P.E.
2. **Glazing complies with ASTM E1300-04e01**

D. QUALITY ASSURANCE

1. Miami-Dade Department of Regulatory and Economic Resources (RER).

E. MATERIAL CERTIFICATIONS

1. Notice of Acceptance No. **14-0916.10** issued to **Kuraray America, Inc.** for their "**Kuraray Butacite® PVB Glass Interlayer**" dated 04/25/15, expiring on 12/11/16.
2. Notice of Acceptance No. **12-1120.02**, issued to **Royal Window and Door Profiles, Plant 13**, for their **White Rigid PVC Exterior Extrusions**, approved on 02/28/13, expiring on 02/28/18.



Manuel Pérez, P.E.
Product Control Examiner
NOA No. 15-0618.05

Expiration Date: May 06, 2019
Approval Date: October 01, 2015

Regency Plus, Inc.

NOTICE OF ACCEPTANCE: EVIDENCE SUBMITTED

F. STATEMENTS

1. Statement letter of conformance, complying with **FBC 5th Edition (2014)** and of no financial interest, dated 03/18/15, prepared by PTC, LLC, signed and sealed by Robert J. Amoruso, P.E.
2. Laboratory addendum letters I and II in the Test Report No. **NTCL-110-11618-1**, both issued by National Certified Testing Laboratories, dated 10/02/08 and 01/20/09, signed and sealed by Harold E. Rupp, P.E.
(Submitted under NOA No. 08-1118.10)
3. Laboratory compliance letter in the Test Report No. **NTCL-110-11618-1**, issued by National Certified Testing Laboratories, dated 10/02/08, signed and sealed by Harold E. Rupp, P.E.
(Submitted under NOA No. 08-1118.10)

G. OTHERS

1. Notice of Acceptance No. **14-0128.07**, issued to Regency Plus, Inc. for their Series "5205" Outswing White PVC Casement Window – L.M.I., approved on 12/05/13 and expiring on 05/06/19.



Manuel Pérez, P.E.
Product Control Examiner
NOA No. 15-0618.05

Expiration Date: May 06, 2019
Approval Date: October 01, 2015

REGENCY PLUS, INC.

SERIES "5205" VINYL IMPACT CASEMENT WINDOW - LMI INSTALLATION ANCHORAGE DETAILS

GENERAL NOTES:

1. THIS PRODUCT ANCHORAGE SHOWN HEREIN IS DESIGNED TO COMPLY WITH 5TH EDITION (2014) FLORIDA BUILDING CODE (FBC) - BUILDING AND RESIDENTIAL VOLUMES INCLUDING THE HIGH VELOCITY HURRICANE ZONE (HVHZ) AT THE DESIGN PRESSURE(S) STATED HEREIN.
2. THE PRODUCT DETAILS CONTAINED HEREIN ARE BASED UPON SIGNED AND SEALED TEST REPORT # NCTL-110-11618-1, DATED 10/02/08, ADDENDUM DATED 11/05/09 AND ADDENDUM II DATED 01/20/09 AND ASSOCIATED LABORATORY STAMPED DRAWINGS AND WERE TESTED IN ACCORDANCE WITH HIGH VELOCITY HURRICANE ZONE TESTING PROTOCOLS TAS-201, TAS-202 AND TAS-203.
3. THE PRODUCT HAS BEEN EVALUATED FOR CONFORMANCE TO THE STANDARDS LISTED IN THE 5TH EDITION (2014) FLORIDA BUILDING CODE (FBC) - BUILDING AND RESIDENTIAL VOLUMES AND IS IN COMPLIANCE WITH SAID STANDARDS INCLUDING HIGH VELOCITY HURRICANE ZONE (HVHZ) REQUIREMENTS.
4. ADEQUACY OF THE EXISTING STRUCTURAL CONCRETE / MASONRY AND 2X FRAMING AS A MAIN WIND FORCE RESISTING SYSTEM CAPABLE OF WITHSTANDING AND TRANSFERRING APPLIED PRODUCT LOADS TO THE FOUNDATION IS THE RESPONSIBILITY OF THE ENGINEER OR ARCHITECT OF RECORD AND TO BE REVIEWED BY AHJ.
5. 1X AND 2X BUCKS (WHEN USED) SHALL BE DESIGNED AND ANCHORED TO PROPERLY TRANSFER ALL LOADS TO THE STRUCTURE. BUCK DESIGN AND INSTALLATION IS THE RESPONSIBILITY OF THE ENGINEER OR ARCHITECT OF RECORD AND TO BE REVIEWED BY AHJ.
6. THE INSTALLATION DETAILS DESCRIBED HEREIN ARE GENERIC AND MAY NOT REFLECT ACTUAL CONDITIONS FOR A SPECIFIC SITE. IF SITE CONDITIONS CAUSE INSTALLATION TO DEVIATE FROM THE REQUIREMENTS DETAILED HEREIN, THEN THE BUILDING OFFICIAL MAY ELECT ONE OF THE FOLLOWING OPTIONS:
 - A. OUTSIDE HVHZ: REQUIRE THAT A LICENCED ENGINEER OR ARCHITECT PREPARE AND SUBMIT SITE SPECIFIC DOCUMENTS FOR USE WITH THIS DOCUMENT TO BE REVIEWED BY AHJ.
 - B. INSIDE HVHZ: REQUIRE THAT A ONE TIME SITE SPECIFIC APPROVAL BE APPLIED FOR AND OBTAINED FROM THE MIAMI-DADE COUNTY PRODUCT CONTROL.

7. MATERIALS:
 - 7.1 WINDOW FRAME MATERIAL: ROYAL WINDOW & DOOR PROFILES. PLANT 13 RIGID VINYL PVC PER MIAMI-DADE NOTICE OF ACCEPTANCE (NOA) NO. 12-1120.02.
 - 7.2 GLAZING INTERLAYER KURARAY AMERICA, INC. BUTACITE INTERLAYER PER MIAMI-DADE NOTICE OF ACCEPTANCE (NOA) NO. 14-0916.10.
8. NOT USED.
9. GLASS MEETS THE REQUIREMENTS OF ASTM E1300-04e1.
10. DESIGNATION "X" STANDS FOR THE FOLLOWING:
X: OPERABLE PANEL
11. A 1/3 INCREASE IN ALLOWABLE STRESS FOR WIND LOADS WAS NOT USED IN THE DESIGN OF THE PRODUCT(S) SHOWN HEREIN. WIND LOAD DURATION FACTOR (Cd = 1.6) HAS BEEN USED FOR WOOD ANCHOR DESIGN WHERE WOOD-ONLY FAILURE GOVERNS. FOR OTHER MATERIALS, APPROPRIATE SAFETY FACTORS PER THE APPLICABLE DESIGN STANDARD ARE USED.
12. IN AREAS WHERE WIND-BOURNE DEBRIS PROTECTION REQUIREMENTS EXIST USE OF AN APPROVED IMPACT PROTECTIVE SYSTEM IS NOT NEEDED.
13. EACH WINDOW ASSEMBLY WILL BE LABELED WITH A PERMANENT LABEL AND/OR STAMP WITH THE EXTRUDER CODE AND "MDCA".

INSTALLATION NOTES:

1. ONE (1) INSTALLATION ANCHOR IS REQUIRED AT EACH ANCHOR LOCATION SHOWN.
2. THE NUMBER OF INSTALLATION ANCHORS DEPICTED IS THE MINIMUM NUMBER OF ANCHORS TO BE USED FOR PRODUCT INSTALLATION.
3. SHIM AS REQUIRED AT EACH INSTALLATION ANCHOR WITH LOAD BEARING SHIM(S). MAXIMUM ALLOWABLE SHIM SIZE IS 1/4 INCH. SHIM WHERE SPACE OF 1/16 INCH OR GREATER OCCURS. SHIM(S) SHALL BE CONSTRUCTED OF HIGH DENSITY PLASTIC OR BETTER.
4. FOR INSTALLATION INTO WOOD FRAMING, USE #12 WOOD SCREWS OF SUFFICIENT LENGTH TO ACHIEVE 1 1/2 INCH MINIMUM EMBEDMENT. MINIMUM EDGE DISTANCE IS 7/8 INCH.
5. FOR INSTALLATION THROUGH 1X BUCK TO CONCRETE / MASONRY, OR DIRECTLY INTO CONCRETE / MASONRY, USE 1/4 INCH ITW ADVANCED THREADFORM TAPCONS OF SUFFICIENT LENGTH TO ACHIEVE THE FOLLOWING:
 - 5.1. CONCRETE SUBSTRATE
 - 5.1.1. 1 1/2 INCH MINIMUM EMBEDMENT
 - 5.1.2. 1-1/2 INCH MINIMUM EDGE DISTANCE
 - 5.2. MASONRY SUBSTRATE
 - 5.2.1. 1 INCH MINIMUM EMBEDMENT
 - 5.2.2. 2 INCH MINIMUM EDGE DISTANCE
6. FOR PARTING STOP INSTALLATION USE #8 WOOD SCREWS.
7. MINIMUM EMBEDMENT AND EDGE DISTANCE EXCLUDE WALL FINISHES, INCLUDING BUT NOT LIMITED TO STUCCO, FOAM, BRICK VENEER AND SIDING.

8. INSTALLATION ANCHORS AND ASSOCIATED HARDWARE MUST BE MADE OF CORROSION RESISTANT MATERIAL OR HAVE A CORROSION RESISTANT COATING.
9. FOR CONCRETE BLOCK, DO NOT INSTALL INSTALLATION ANCHORS INTO MORTAR JOINTS. EDGE DISTANCE IS MEASURED FROM FREE EDGE OF BLOCK OR EDGE OF MORTAR JOINT INTO FACE SHELL OF BLOCK.
10. INSTALLATION ANCHORS SHALL BE INSTALLED IN ACCORDANCE WITH ANCHOR MANUFACTURER'S INSTALLATION INSTRUCTIONS AND ANCHORS SHALL NOT BE USED IN SUBSTRATES WITH STRENGTHS LESS THAN THE MINIMUM STRENGTH SPECIFIED BY THE ANCHOR MANUFACTURER.
11. INSTALLATION ANCHOR CAPACITIES FOR PRODUCTS HEREIN ARE BASED ON SUBSTRATE MATERIALS WITH THE FOLLOWING PROPERTIES:
 - A. WOOD PROTECTION. WOOD PROTECTION. WOOD - PRESSURE TREATED SOUTHERN YELLOW PINE. MINIMUM SPECIFIC GRAVITY OF 0.55 LUMBER MUST COMPLY WITH 5TH EDITION FBC/FRC AS RELATED TO WOOD PROTECTION.
 - B. CONCRETE - MINIMUM COMPRESSIVE STRENGTH OF 2500 psi AND COMPLIES WITH ACI 301.
 - C. MASONRY - STRENGTH CONFORMS TO ASTM C-90, MEDIUM WEIGHT WITH DENSITY >117 PCF.

TABLE OF CONTENTS		
SHEET	REV.	SHEET DESCRIPTION
1	E	GENERAL AND INSTALLATION NOTES
2	E	ELEVATIONS
3	E	VERTICAL SECTIONS
4	E	HORIZONTAL SECTIONS & GLAZING DETAIL
5	E	COMPONENTS, BILL OF MATERIALS & CORNER DETAIL

DESIGN PRESSURE RATING (PSF)	IMPACT RATING	
+55.0	-55.0	LMI

PROJECT #414-0418			
J	H	G	REV
INCORPORATE M.D. RFI COMMENTS	9/24/15	RJA	DATE
INCORPORATE M.D. RFI COMMENTS	9/1/15	RJA	DATE
UPDATED TO 5TH ED. (2014) FBC	6/1/15	JBH	DATE
DESCRIPTION			

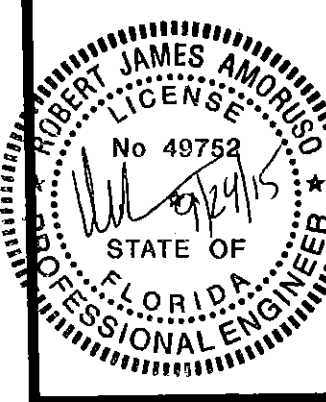
REGENCY PLUS, INC.
2000 LOCUST GAP HIGHWAY
MT. CARMEL, PA 17851

DATE: 10/14/08
DRAWING NO: RPLS0061
SCALE: N.T.S.
SHEET: 1 OF 5

DRAWN BY: CB
REV: J

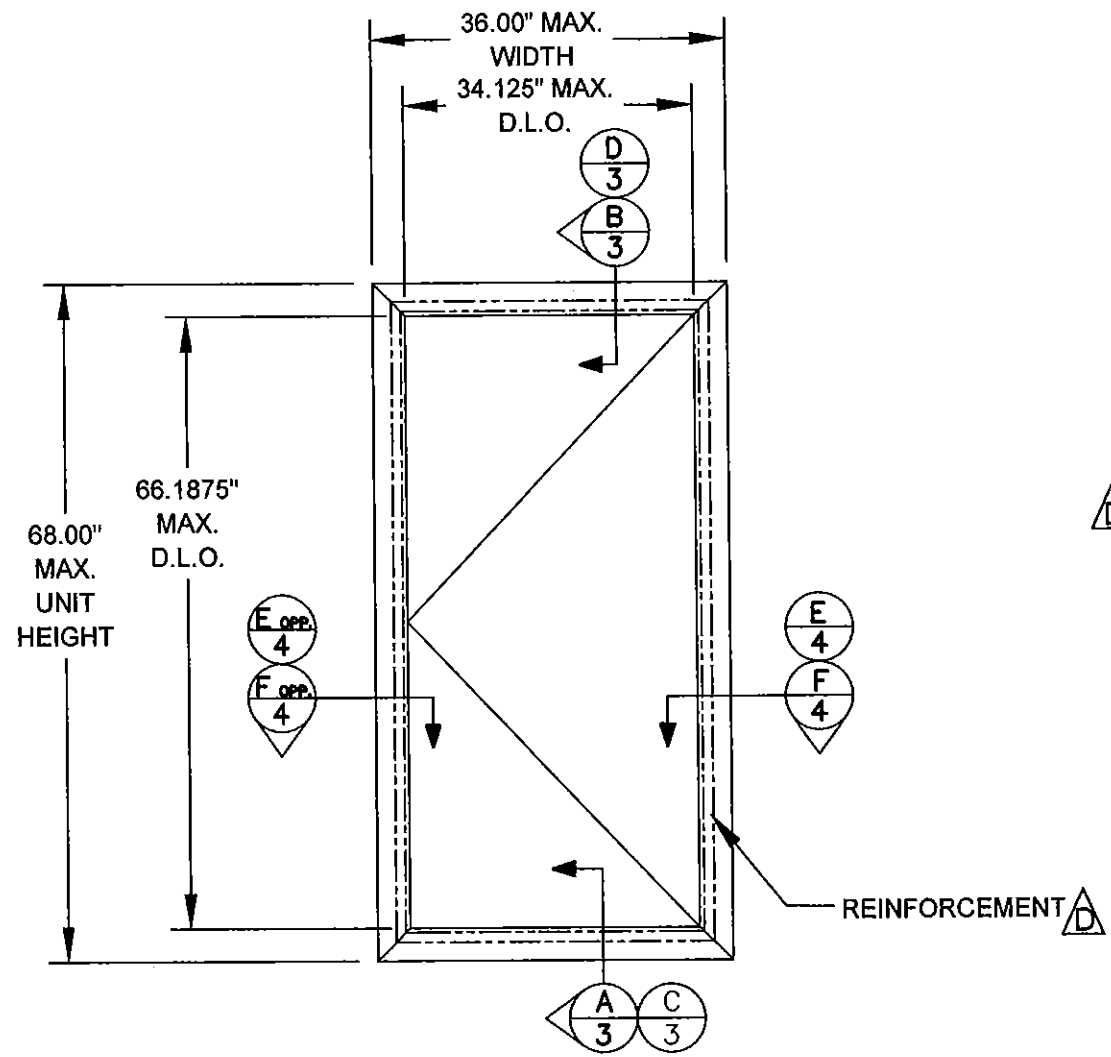
PTC Product Design Group, LLC
PO Box 520775, Longwood, FL 32752-0775
321-690-1788 info@ptc-corp.com
FBPE Cert. of Auth. No. 25935

Robert J. Amoroso, P.E.
Florida P.E. No. 49752

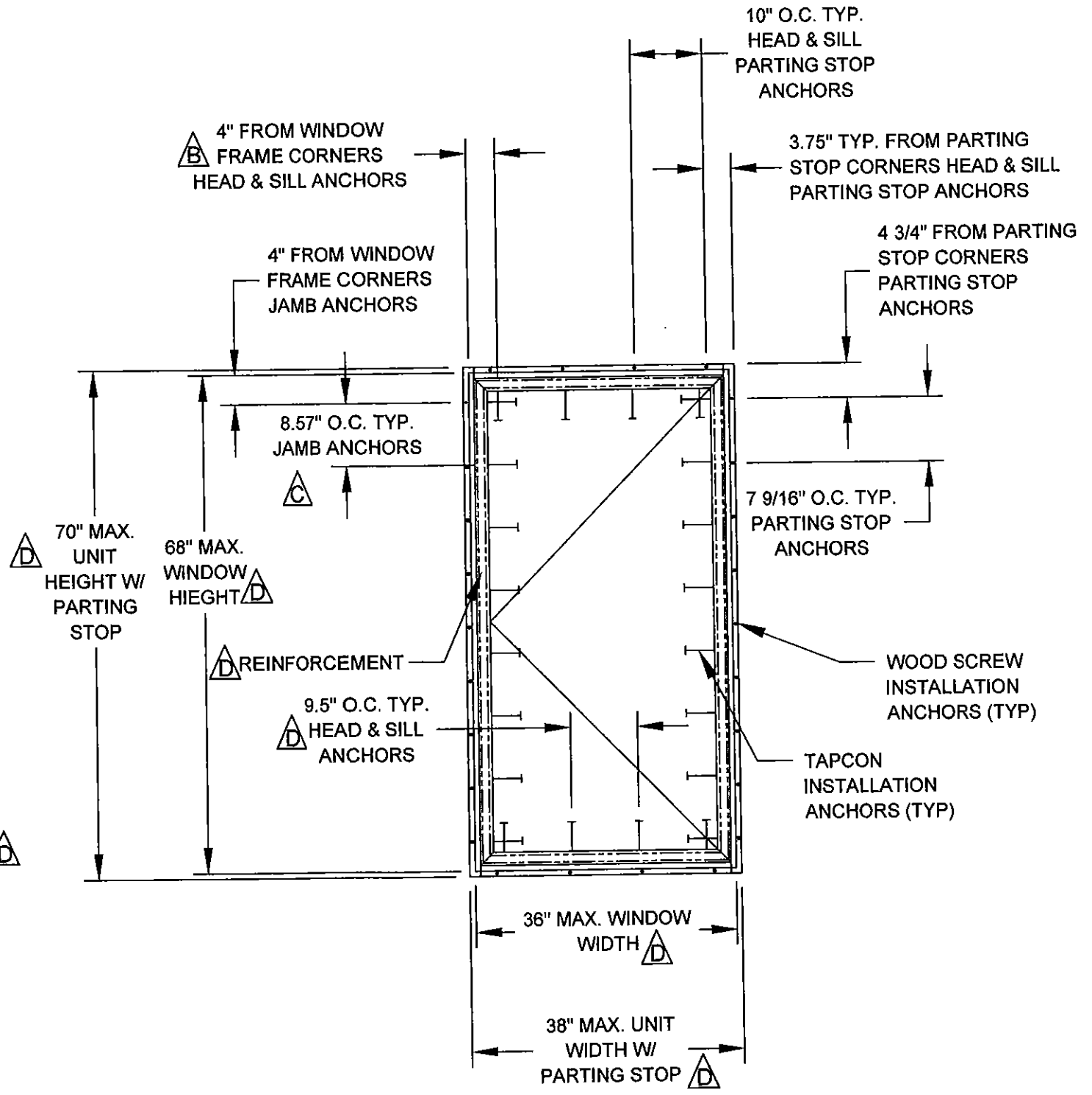


PRODUCT REVISED as complying with the Florida Building Code Acceptance No. 15-0618-05 Expiration Date 12/31/2019

By *Manuel*
Miami Dade Product Control



ELEVATION
EXTERIOR VIEW



ANCHOR LAYOUT
EXTERIOR VIEW

PROJECT #414-0418			
INCORPORATE M.D. RFI COMMENTS	9/24/15	RJA	DATE
INCORPORATE M.D. RFI COMMENTS	9/1/15	RJA	DATE
UPDATED TO 5TH ED. (2014) FBC	6/1/15	JBH	DATE
DESCRIPTION			BY
			REV

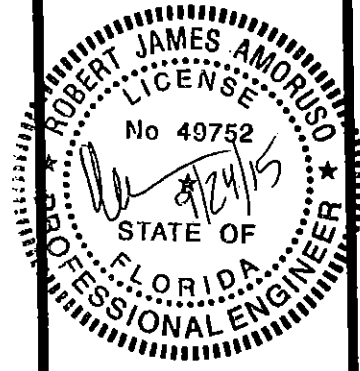
REGENCY PLUS, INC.
2000 LOCUST GAP HIGHWAY
MT. CARMEL, PA 17851

TITLE: SERIES "5205" VINYL IMPACT CASEMENT WINDOW - LMI
ELEVATION AND ANCHOR LAYOUT

DATE: 10/14/08
DRAWING NO: RPLS0061
SCALE: N.T.S.
REV: J

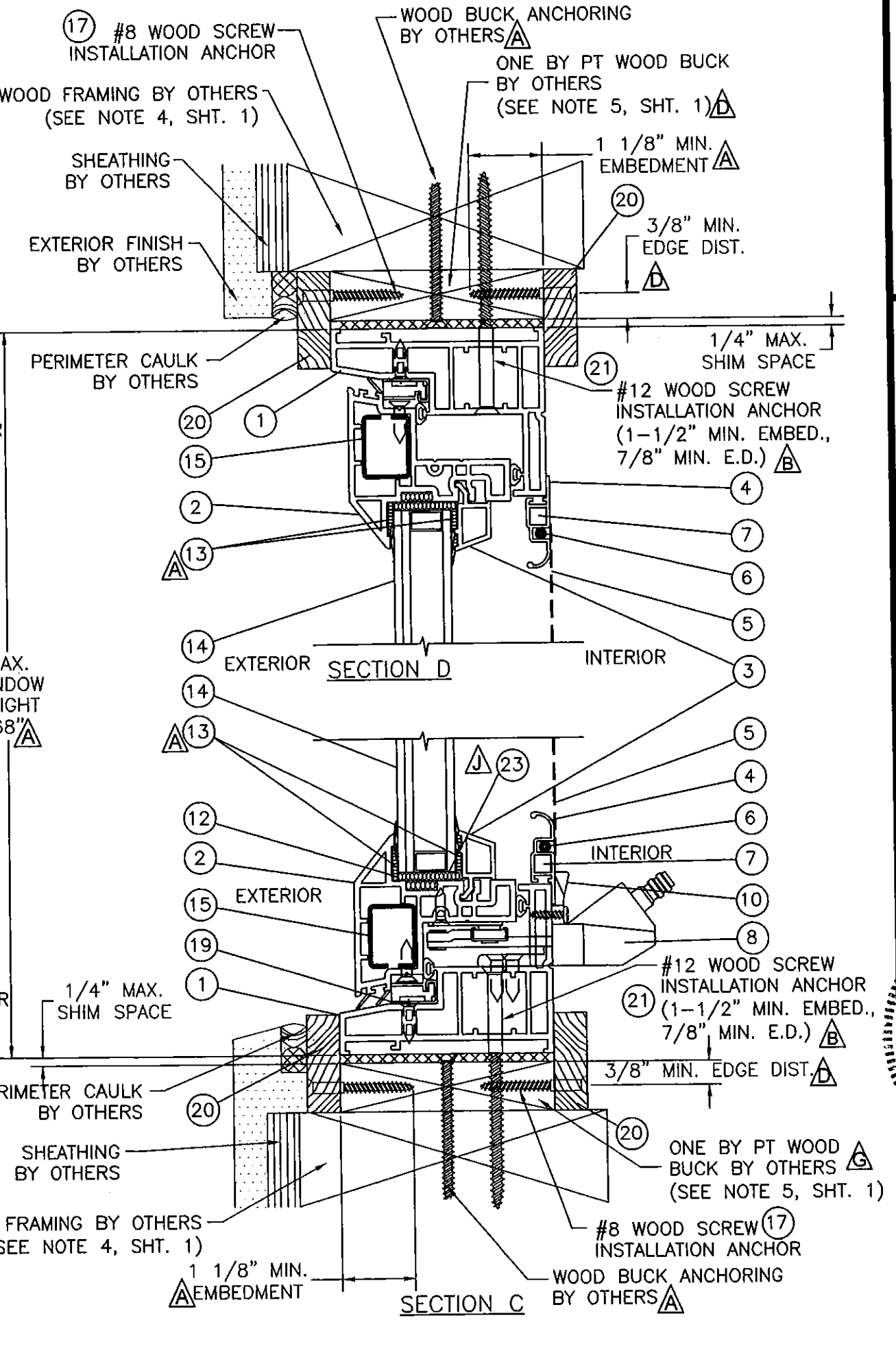
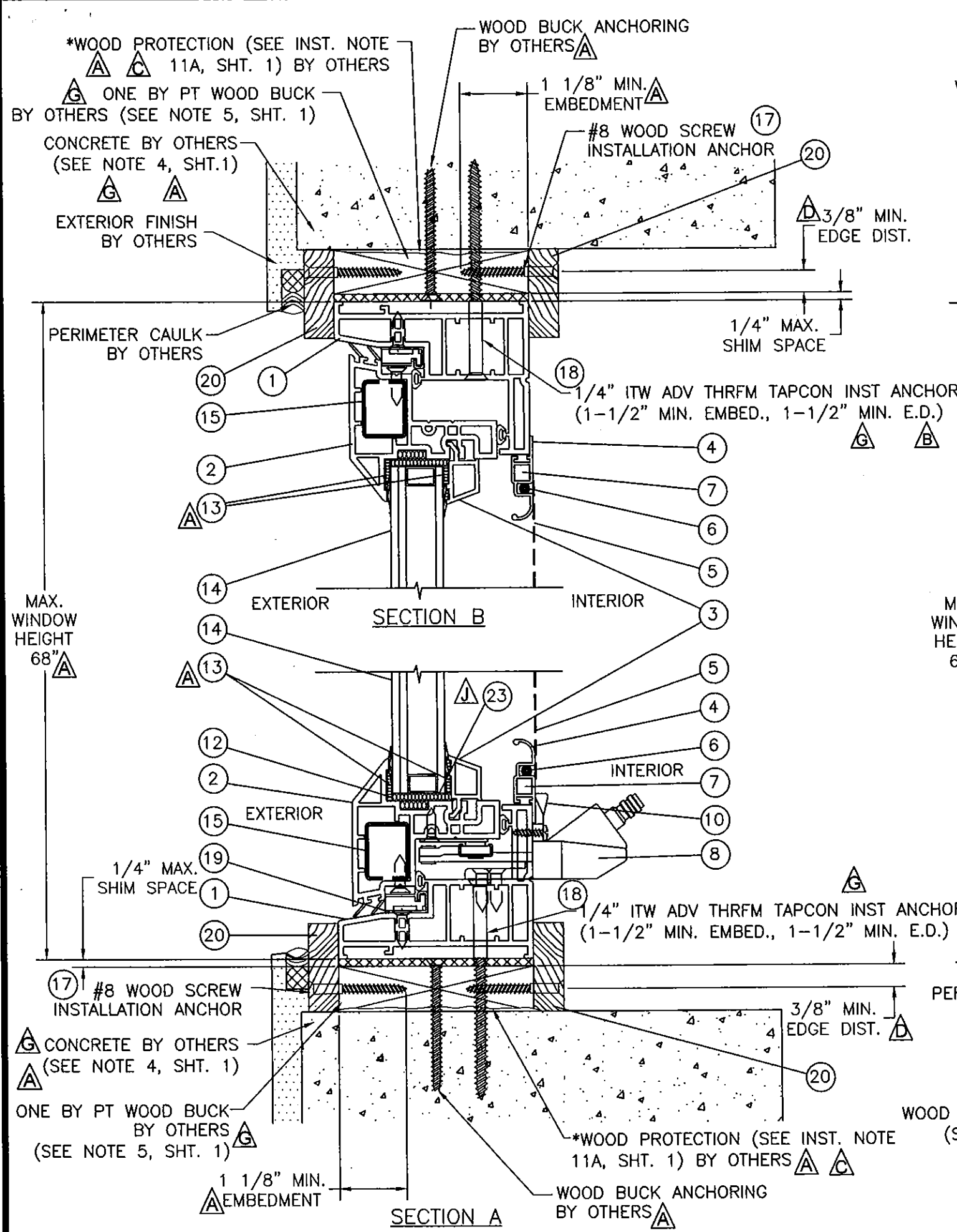
PTC Product Design Group, LLC
PO Box 520775, Longwood, FL 32752-0775
321-690-1788 info@ptc-corp.com
FBPE Cert. of Auth. No. 25935

Robert J. Amoruso, P.E.
Florida P.E. No. 49752



PRODUCT REVISED
as complying with the Florida
Building Code
Acceptance No. 15-0618.05
Expiration Date May 6, 2019

By *Manuel Perez*
Miami Dade Product Control



PROJECT #414-0418				
INCORPORATE M.D. RFI COMMENTS	9/24/15	RJA		
INCORPORATE M.D. RFI COMMENTS	9/1/15	RJA		
UPDATED TO 5TH ED. (2014) FBC	6/1/15	JBH		
DESCRIPTION				DATE
	J	H	G	REV

REGENCY PLUS, INC.
 2000 LOCUST GAP HIGHWAY
 MT. CARMEL, PA 17851

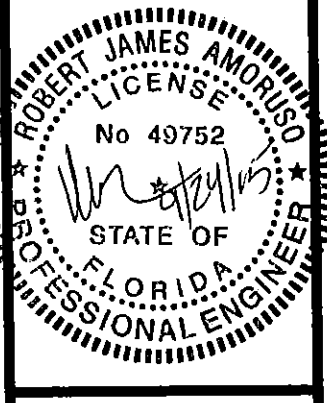
TITLE: SERIES "5205" VINYL IMPACT CASEMENT WINDOW - LMI
 VERTICAL SECTIONS

DATE: 10/14/08
 DRAWING NO: RPLS0061
 SCALE: N.T.S.
 REV: J

PTC Product Design Group, LLC
 PO Box 520775, Longwood, FL 32752-0775
 321-690-1768 info@ptc-corp.com
 FBPE Cert. of Auth. No. 25935

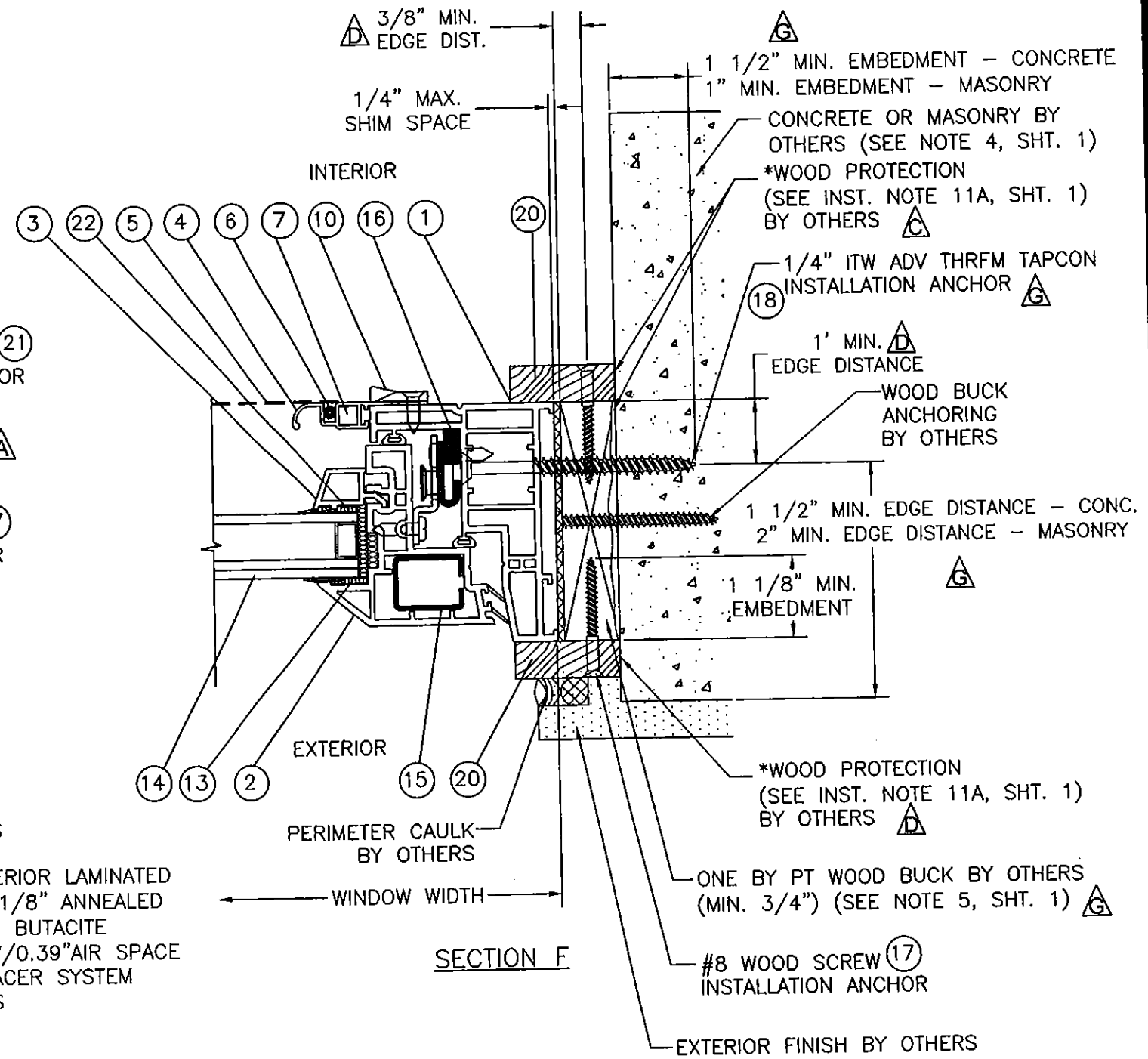
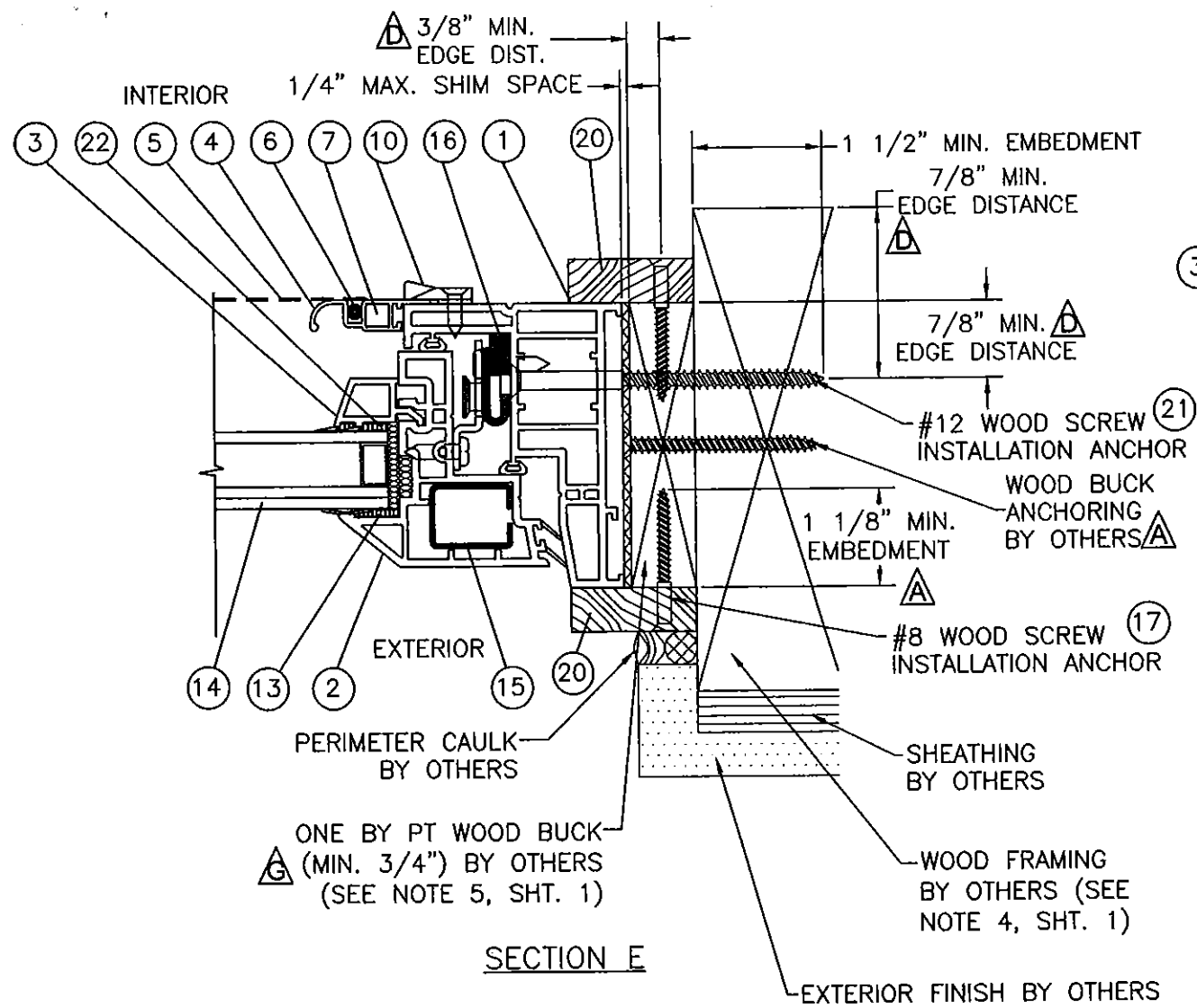
3 OF 5

Robert J. Amoruso, P.E.
 Florida P.E. No. 49752

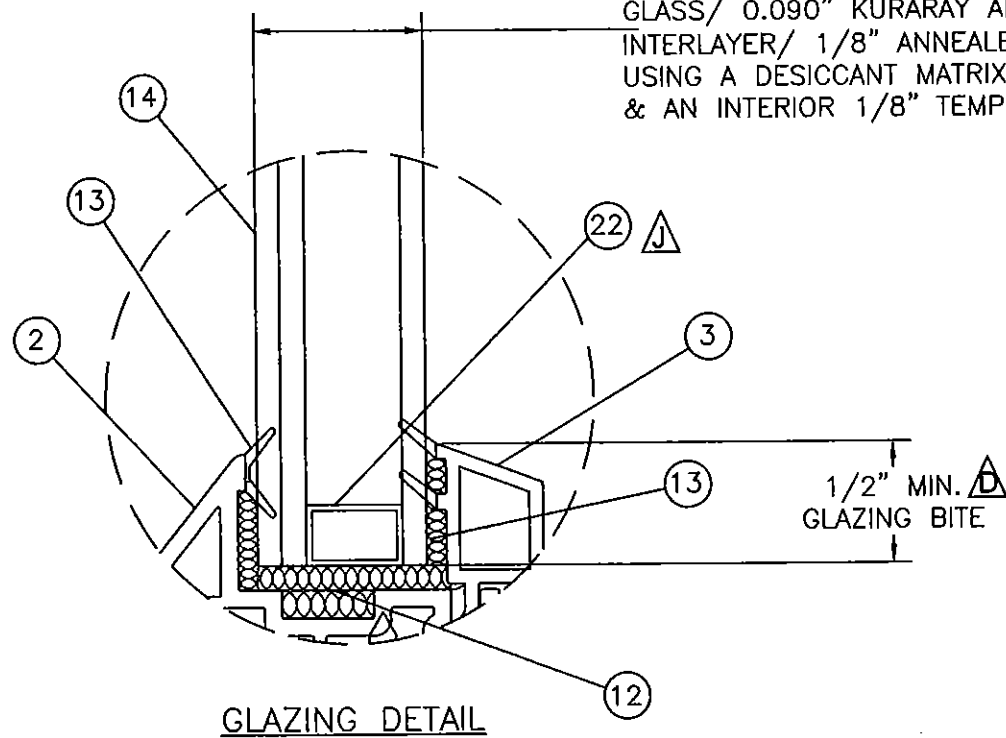


PRODUCT REVISED as complying with the Florida Building Code Acceptance No. 15-0618.05 Expiration Date 11/26/19

By *Manuel Ferrer*
 Miami Door Product Control



7/8" O.A. GLASS CONSISTING OF: EXTERIOR LAMINATED GLASS W/ THE FOLLOWING MAKE UP: 1/8" ANNEALED GLASS/ 0.090" KURARAY AMERICA INC. BUTACITE INTERLAYER/ 1/8" ANNEALED GLASS W/0.39" AIR SPACE USING A DESICCANT MATRIX STEEL SPACER SYSTEM & AN INTERIOR 1/8" TEMPERED GLASS



PROJECT #414-0418				
INCORPORATE M.D. RFI COMMENTS	J	9/24/15	RJA	
INCORPORATE M.D. RFI COMMENTS	H	9/1/15	RJA	
UPDATED TO 5TH ED. (2014) FBC	G	6/1/15	JBH	
DESCRIPTION	REV	DATE	BY	

REGENCY PLUS, INC.
 2000 LOCUST GAP HIGHWAY
 MT. CARMEL, PA 17851

TITLE: SERIES "5205" VINYL IMPACT CASEMENT WINDOW - LMI HORIZONTAL SECTIONS & GLAZING DETAIL

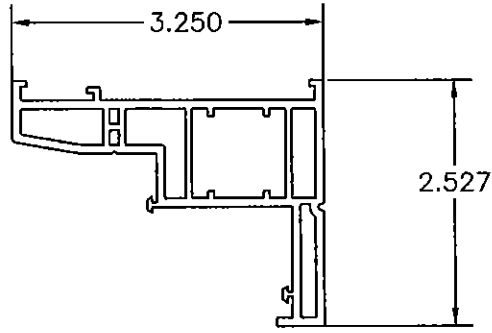
DATE: 10/14/08
 DRAWING NO.: RPLS0061
 SCALE: N.T.S.
 REV: J

PTC Product Design Group, LLC
 PO Box 520775, Longwood, FL 32752-0775
 321-690-1788 info@ptc-corp.com
 FBPE Cert. of Auth. No. 25935

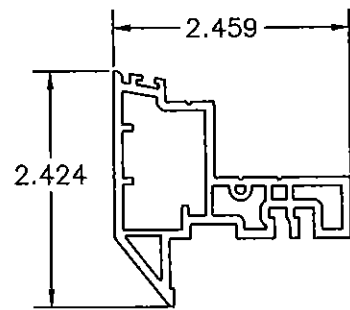
Robert J. Amoruso, P.E.
 Florida P.E. No. 49752

PRODUCT REVISED as complying with the Florida Building Code
 Acceptance No 15-0618.05
 Expiration Date May 6, 2019
 By *Manuel Perez*
 Miami Dade Product Control

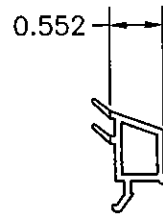
① MAIN FRAME
0.090" TYP. WALL THICKNESS



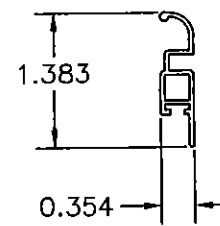
② SASH FRAME
0.090" TYP. WALL THICKNESS



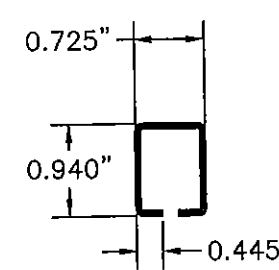
③ GLAZING BEAD
0.070" TYP. WALL THICKNESS



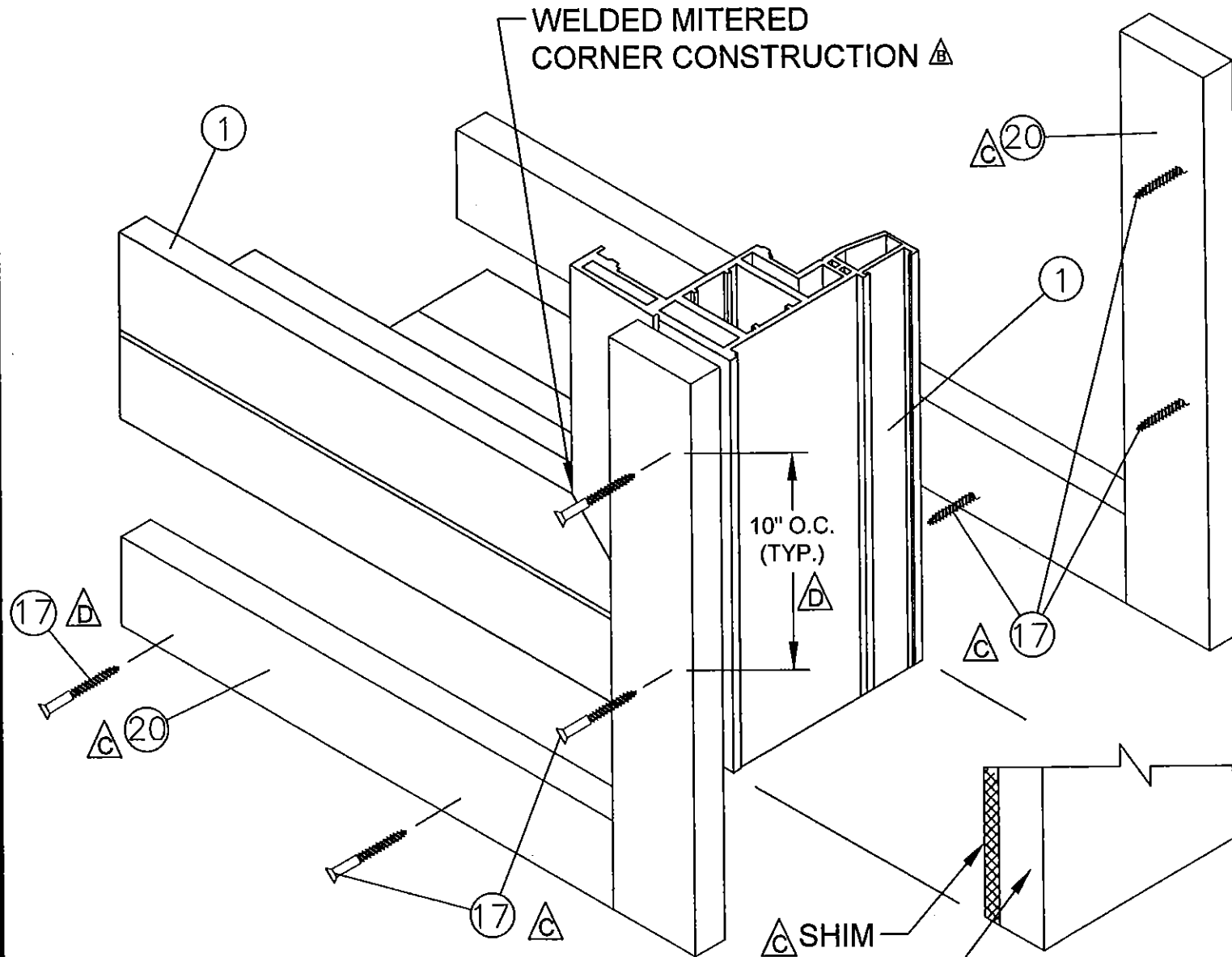
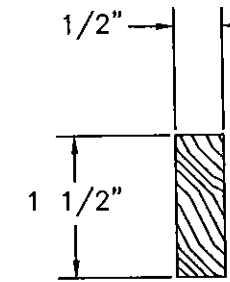
④ SCREEN FRAME
0.045" TYP. WALL THICKNESS



⑮ VENT REINFORCEMENT
0.055" TYP. WALL THICKNESS



⑳ PARTING STOP
N.A. TYP. WALL THICKNESS



DETAIL 1

1X PT WOOD BUCK
BY OTHERS

NOTE:
PARTING STOP EXTERIOR PERIMETER
TO BE SEALED TO 1X PT WOOD BUCK
WITH SIKA 551 SILICONE

ITEM #	PART #	QTY	DESCRIPTION	SUPPLIER	MATERIAL
1	1083 WHITE	4	MAIN FRAME	** RWDP	WHITE PVC
2	1084 WHITE	4	SASH FRAME	** RWDP	WHITE PVC
3	1103 WHITE	4	GLAZING BEAD	** RWDP	WHITE PVC
4	HJ8172-NW	4	SCREEN FRAME	SHAPED UNLIMITED	RIGID VINYL
5	FG18X16.011	1	FIBERGLASS SCREEN	HANOVER WIRE	FIBERGLASS MESH
6	EX-FLX-Q165-RK	1	SCREEN SPLINE	IMPERIAL PLASTICS	HOLLOW VINYL
7	.250" X .260"	4	SCREEN CORNER KEYS	SUMMIT METAL	-----
8	50.01.78.011	1	OPERATOR HARDWARE ASSEMBLY	TRUTH	-----
9	24-84-32-002	1	RIGHT LOCK ASSEMBLY	TRUTH	-----
10	8702-046	6	SCREEN CLIP	ASHLAND	RIGID VINYL
11	1" X 1/2" X 1/2"	1	FOAM WEEP FILTER	WHITEMAN TOVER	FOAM
12	2NB-8K-.125-028-026	4	GLAZING PADS	FRANK LOVE	-----
13	SIKA FLEX 552	-	IMPACT GLAZING SEALANT	SIKA CORP.	SILICONE
14	-----	1	IMPACT INSULATED LAMINATED GLASS	A.F.G.	GLASS
15	-----	4	VENT REINFORCEMENT AISI 1015 HOT DIPPED GALVANIZED G40	-----	GALVANIZED STEEL
16	21642.92	10	SNUBBER INTERLOCK	TRUTH	METAL
17	-----	-	#8 WOOD SCREW (INSTALLATION ANCHOR)	-----	STEEL
18	-----	-	1/4" ADVANCED THREADFORM TAPCON	ITW	STEEL
19	32384.92	1	11.5 TRACK OPERATOR	TRUTH	-----
20	-----	8	PARTING STOP (WOOD 1/2" X 1 1/2") (SEE INST. NOTE 11A, SHT. 1)	PT PINE WOOD	G = 0.55 MIN.
21	-----	-	#12 WOOD SCREW (INSTALLATION ANCHOR)	-----	STEEL
22	-----	-	ENDUR 9 8 SS SPACER	CARDINAL	STAINLESS STL.
23	2NB-8K-125-028-026	-	GLAZING PAD (SETTING BLOCK)	FRANK LOWE	NEOPRENE

△ ** RWDP: ROYAL WINDOWS AND DOOR PROFILES, PLANT NO. 13 MD NOA NO. 12-1120.02.

PROJECT #414-0418	RJA	RJA	BY
INCORPORATE M.D. RFI COMMENTS	9/24/15	9/1/15	DATE
J	H	G	REV
INCORPORATE M.D. RFI COMMENTS	9/1/15	6/1/15	DATE
UPDATED TO 5TH ED. (2014) FBC	G	JBH	BY
DESCRIPTION	REV	DATE	BY

REGENCY PLUS, INC.
2000 LOCUST GAP HIGHWAY
MT. CARMEL, PA 17851

TITLE: SERIES "5205" VINYL IMPACT CASEMENT WINDOW - LMI COMPONENTS, BILL OF MATERIALS & CORNER DETAIL

DATE: 10/14/08
DRAWING NO.: RPLS0061
SCALE: N.T.S.
SHEET: 5 OF 5

DRAWN BY: CB
CHECKED BY: N.T.S.
DATE: 10/14/08

PTC Product Design Group, LLC
PO Box 520775, Longwood, FL 32752-0775
321-690-1788 info@pdc-corp.com
FBPE Cert. of Auth. No. 25935

Robert J. Amoroso, P.E.
Florida P.E. No. 49752

PROFESSIONAL ENGINEER
STATE OF FLORIDA
LICENSE No 49752
Signature: [Handwritten Signature]
Date: 5/24/15

PRODUCT REVISED
as complying with the Florida
Building Code
Acceptance No 15-0618.05
Expiration Date May 6, 2019
By: [Handwritten Signature]
Miami Dade Product Control