



DEPARTMENT OF REGULATORY AND ECONOMIC RESOURCES (RER)
 BOARD AND CODE ADMINISTRATION DIVISION
NOTICE OF ACCEPTANCE (NOA)

MIAMI-DADE COUNTY
 PRODUCT CONTROL SECTION
 11805 SW 26 Street, Room 208
 T (786) 315-2590 F (786) 315-2599
www.miamidade.gov/economy

Eurotech Industries, Inc.
 4201 NE 12th Terrace
 Ft. Lauderdale, FL 33334

SCOPE:

This NOA is being issued under the applicable rules and regulations governing the use of construction materials. The documentation submitted has been reviewed and accepted by Miami-Dade County RER-Product Control Section to be used in Miami-Dade County and other areas where allowed by the Authority Having Jurisdiction (AHJ).

This NOA shall not be valid after the expiration date stated below. The Miami-Dade County Product Control Section (In Miami-Dade County) and/ or the AHJ (in areas other than Miami-Dade County) reserve the right to have this product or material tested for quality assurance purposes. If this product or material fails to perform in the accepted manner, the manufacturer will incur the expense of such testing and the AHJ may immediately revoke, modify, or suspend the use of such product or material within their jurisdiction. RER reserves the right to revoke this acceptance, if it is determined by Miami-Dade County Product Control Section that this product or material fails to meet the requirements of the applicable building code.

This product is approved as described herein, and has been designed to comply with the Florida Building Code, including the High Velocity Hurricane Zone.

DESCRIPTION: Outswing Aluminum Casement Window – L.M.I.

APPROVAL DOCUMENT: Drawing No. **W03-80**, titled "Aluminum Casement Window (L.M.I.)", sheets 1 through 5 of 5, dated 09/05/03, with revision G dated 12/03/15, prepared by Al-Farooq Corporation, signed and sealed by Javad Ahmad, P.E., bearing the Miami-Dade County Product Control Revision stamp with the Notice of Acceptance number and expiration date by the Miami-Dade County Product Control Section.

MISSILE IMPACT RATING: Large and Small Missile Impact Resistant

LABELING: Each unit shall bear a permanent label with the manufacturer's name or logo, city, state, model/ series, and following statement: "Miami-Dade County Product Control Approved", unless otherwise noted herein.

RENEWAL of this NOA shall be considered after a renewal application has been filed and there has been no change in the applicable building code negatively affecting the performance of this product.

TERMINATION of this NOA will occur after the expiration date or if there has been a revision or change in the materials, use, and/ or manufacture of the product or process. Misuse of this NOA as an endorsement of any product, for sales, advertising or any other purposes shall automatically terminate this NOA. Failure to comply with any section of this NOA shall be cause for termination and removal of NOA.

ADVERTISEMENT: The NOA number preceded by the words Miami-Dade County, Florida, and followed by the expiration date may be displayed in advertising literature. If any portion of the NOA is displayed, then it shall be done in its entirety.

INSPECTION: A copy of this entire NOA shall be provided to the user by the manufacturer or its distributors and shall be available for inspection at the job site at the request of the Building Official.

This NOA revises NOA No. **13-1024.06** and consists of this page 1 and evidence pages E-1 and E-2, as well as approval document mentioned above.

The submitted documentation was reviewed by **Manuel Perez, P.E.**



Handwritten signature and date: 1/15/16

NOA No. 15-0707.01
 Expiration Date: February 05, 2019
 Approval Date: January 21, 2016
 Page 1


NOTICE OF ACCEPTANCE: EVIDENCE SUBMITTED

A. DRAWINGS

1. Manufacturer's die drawings and sections.
(Submitted under NOA # 06-1019.03)
2. Drawing No. **W03-80**, titled "Aluminum Casement Window (L.M.I.)", sheets 1 through 5 of 5, dated 09/05/03, with revision G dated 12/03/15, prepared by Al-Farooq Corporation, signed and sealed by Javad Ahmad, P.E.

B. TESTS

1. Test reports on: 1) Air Infiltration Test, per FBC, TAS 202-94
2) Uniform Static Air Pressure Test, Loading per FBC, TAS 202-94
3) Water Resistance Test, per FBC, TAS 202-94
4) Forced Entry Test, per FBC 2411 3.2.1 and TAS 202-94
along with marked-up drawings and installation diagram of aluminum casement windows mulled side-by-side, prepared by Hurricane Engineering & Testing Inc., Test Report No. **HETI-03-1315**, dated 05/12/03, signed and sealed by Rafael E. Droz-Seda, P.E.
(Submitted under NOA # 06-1019.03)
2. Test reports on: 1) Large Missile Impact Test per FBC, TAS 201-94
2) Cyclic Wind Pressure Loading per FBC, TAS 203-94
along with marked-up drawings and installation diagram of an aluminum casement windows mulled side-by-side, prepared by Hurricane Engineering & Testing Inc., Test Report No. **HETI-03-1829**, dated 05/12/03, signed and sealed by Rafael E. Droz-Seda, P.E.
(Submitted under NOA # 06-1019.03)
3. Test reports on: 1) Air Infiltration Test, per FBC, TAS 202-94
2) Uniform Static Air Pressure Test, Loading per FBC, TAS 202-94
3) Water Resistance Test, per FBC, TAS 202-94
4) Forced Entry Test, per FBC 2411 3.2.1 and TAS 202-94
along with marked-up drawings and installation diagram of a single aluminum casement window, prepared by Hurricane Engineering & Testing Inc., Test Report No. **HETI-03-1317**, dated 05/14/03, signed and sealed by Rafael E. Droz-Seda, P.E.
(Submitted under NOA # 06-1019.03)
4. Test reports on: 1) Large Missile Impact Test per FBC, TAS 201-94
2) Cyclic Wind Pressure Loading per FBC, TAS 203-94
along with marked-up drawings and installation diagram of a single aluminum casement windows, prepared by Hurricane Engineering & Testing Inc., Test Report No. **HETI-03-1822**, dated 01/23/04, signed and sealed by Rafael E. Droz-Seda, P.E.
(Submitted under NOA # 06-1019.03)


Manuel Perez, P.E.
Product Control Examiner
NOA No. 15-0707.01

Expiration Date: February 05, 2019
Approval Date: January 21, 2016

Eurotech Industries, Inc.

NOTICE OF ACCEPTANCE: EVIDENCE SUBMITTED

C. CALCULATIONS

1. Anchor verification calculations and structural analysis, complying with **FBC 5th Edition (2014)**, dated 06/02/15 and 11/25/15, prepared by Al-Farooq Corporation, signed and sealed by Javad Ahmad, P.E.
2. Glazing complies with **ASTM E1300-09**

D. QUALITY ASSURANCE

1. Miami-Dade Department of Regulatory and Economic Resources (RER).

E. MATERIAL CERTIFICATIONS

1. Notice of Acceptance No. **14-0916.11** issued to **Kuraray America, Inc.** for their "**SentryGlas® (Clear and White) Glass Interlayers**" dated 06/25/15, expiring on 07/04/18.
2. Notice of Acceptance No. **14-0423.17** issued to **Eastman Chemical Company (MA)** for their "**Saflex Clear and Color Glass Interlayers**" dated 06/19/14, expiring on 05/21/16.

F. STATEMENTS

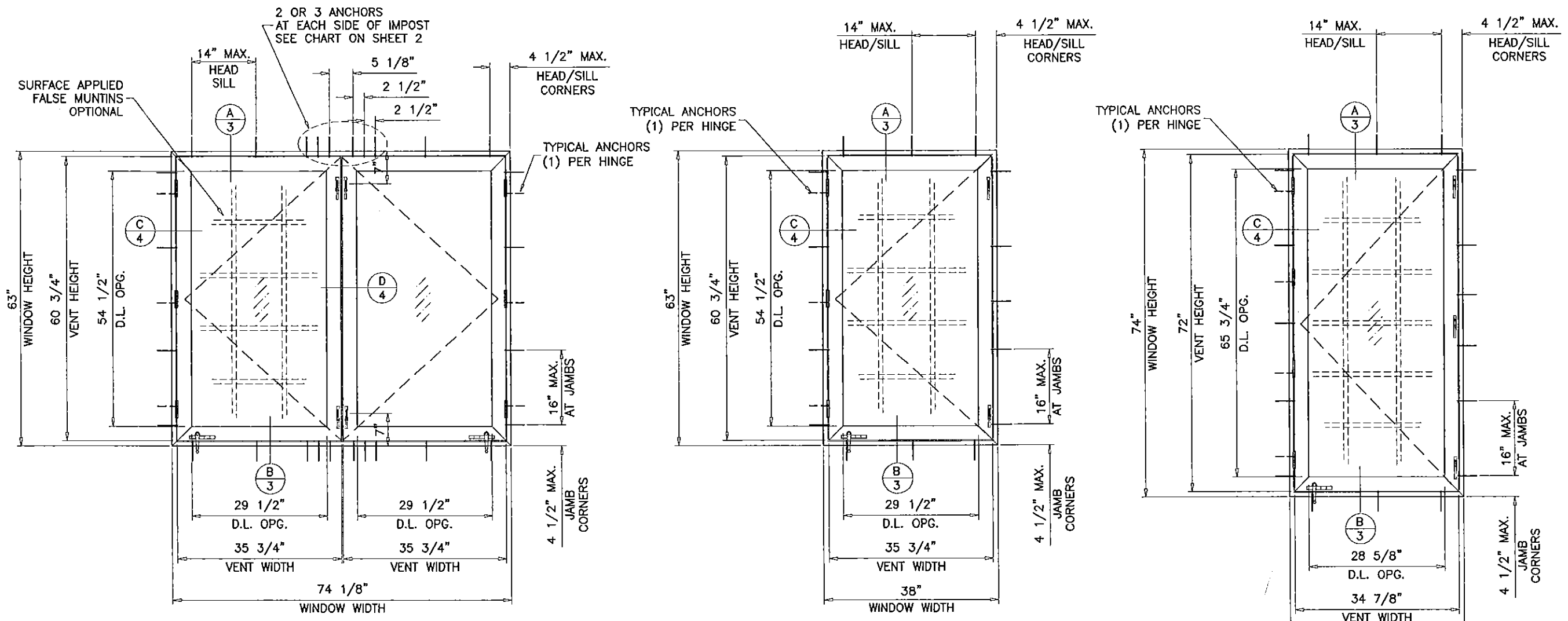
1. Statement letter of conformance, complying with **FBC 5th Edition (2014)**, and of no financial interest, dated June 2, 2015, issued by Al-Farooq Corporation, signed and sealed by Javad Ahmad, P.E.

G. OTHERS

1. Notice of Acceptance No. **13-1024.06**, issued to Eurotech Industries, Inc. for their Outswing Aluminum Casement Window – L.M.I., approved on 12/26/13 and expiring on 02/05/19.


Manuel Perez, P.E.
Product Control Examiner
NOA No. 15-0707.01

Expiration Date: February 05, 2019
Approval Date: January 21, 2016

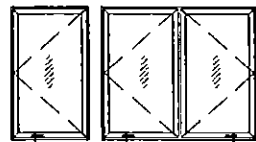


TYPICAL ELEVATIONS

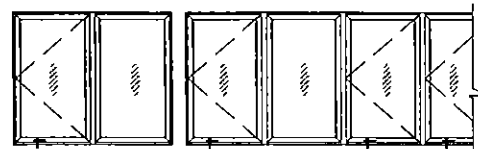
ALUMINUM CASEMENT WINDOW (IMPACT)

DESIGN LOAD RATING FOR THESE WINDOWS TO BE AS PER CHARTS SHOWN ON SHEET 2.

APPROVAL APPLIES TO SINGLE VENT WINDOWS OR DUAL VENT WINDOWS USING INTEGRAL IMPOST.



ALSO SIDE BY SIDE COMBINATIONS OF CASEMENT/CASEMENT OF TWO OR MORE WINDOWS USING APPROVED MULLIONS.



THIS PRODUCT HAS BEEN DESIGNED AND TESTED TO COMPLY WITH THE REQUIREMENTS OF THE 2014 (5TH EDITION) FLORIDA BUILDING CODE INCLUDING HIGH VELOCITY HURRICANE ZONE (HVHZ).

WOOD BUCKS BY OTHERS, MUST BE ANCHORED PROPERLY TO TRANSFER LOADS TO THE STRUCTURE.

ANCHORS SHALL BE AS LISTED, SPACED AS SHOWN ON DETAILS, ANCHORS EMBEDMENT TO BASE MATERIAL SHALL BE BEYOND WALL DRESSING OR STUCCO.

ANCHORING OR LOADING CONDITIONS NOT SHOWN IN THESE DETAILS ARE NOT PART OF THIS APPROVAL.

A LOAD DURATION INCREASE IS USED IN DESIGN OF ANCHORS INTO WOOD ONLY.

ALL SHIMS TO BE HIGH IMPACT, NON-METALLIC AND NON-COMPRESSIBLE.

MATERIALS INCLUDING BUT NOT LIMITED TO STEEL/METAL SCREWS, THAT COME INTO CONTACT WITH OTHER DISSIMILAR MATERIALS SHALL MEET THE REQUIREMENTS OF THE FLORIDA BUILDING CODE.

THESE WINDOWS ARE RATED FOR LARGE & SMALL MISSILE IMPACT. SHUTTERS ARE NOT REQUIRED.

Engr: JAVAD AHMAD
CML
FLA. PE # 70592
C.A.N. 3538
DEC 16 2015

PRODUCT REVISED
as complying with the Florida
Building Code
Acceptance No 15-0707.01
Expiration Date Feb 5, 2019
By *Manuel Perez*
Miami Dade Product Control

af c
AL-FAROOQ CORPORATION
ENGINEERS & PRODUCT DEVELOPMENT
9360 SUNSET DRIVE, SUITE 220
MIAMI, FLORIDA 33173
TEL. (305) 264-8100 FAX. (305) 262-6978
COMP-ANL\W03-80EWD

ALUMINUM CASEMENT WINDOW (L.M.I.)
EUROTECH INDUSTRIES INC.
4201 N.E. 12TH TERRACE
FT. LAUDERDALE, FL. 33334
TEL. (954) 630-9967 FAX. (954) 630-0217

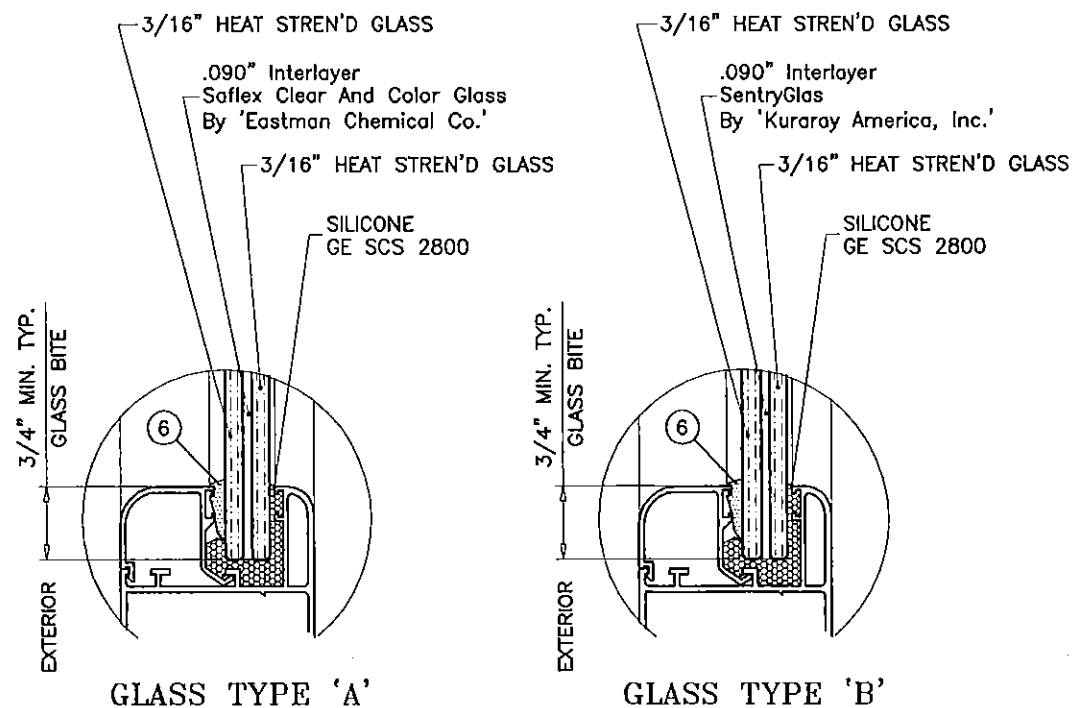
| no. | date | description | by |
|-----|----------|------------------------|----|
| C | 10.06.08 | UPDATED FOR 2007 FBC | |
| D | 10.19.11 | UPDATED TO 2010 FBC | |
| E | 12.16.13 | NO CHANGE THIS SHEET | |
| F | 06.03.15 | UPDATED TO 2014 FBC | |
| G | 12.03.15 | REV. PER. RER COMMENTS | |

date: 09-05-03
scale: 1/2"=1'-0"
dr. by: HAMID
chk. by:

drawing no.
W03-80
sheet 1 of 5

| DESIGN LOAD CAPACITY - PSF FOR (X) SIZES | | | | | |
|--|---------|----------------|---------|----------------|---------|
| WINDOW DIMS. | | GLASS TYPE 'A' | | GLASS TYPE 'B' | |
| WIDTH | HEIGHT | EXT.(+) | INT.(-) | EXT.(+) | INT.(-) |
| 19-1/8" | 26" | 75.0 | 75.0 | 75.0 | 90.0 |
| 26-1/2" | | 75.0 | 75.0 | 75.0 | 90.0 |
| 37" | | 75.0 | 75.0 | 75.0 | 90.0 |
| 19-1/8" | 38-3/8" | 75.0 | 75.0 | 75.0 | 90.0 |
| 26-1/2" | | 75.0 | 75.0 | 75.0 | 90.0 |
| 37" | | 75.0 | 75.0 | 75.0 | 90.0 |
| 19-1/8" | 50-5/8" | 75.0 | 75.0 | 75.0 | 90.0 |
| 26-1/2" | | 75.0 | 75.0 | 75.0 | 90.0 |
| 37" | | 75.0 | 75.0 | 75.0 | 90.0 |
| 19-1/8" | 63" | 75.0 | 75.0 | 75.0 | 90.0 |
| 26-1/2" | | 75.0 | 75.0 | 75.0 | 90.0 |
| 37" | | 75.0 | 75.0 | 75.0 | 90.0 |
| 19-1/8" | 74" | 75.0 | 75.0 | 75.0 | 90.0 |
| 26-1/2" | | 75.0 | 75.0 | 75.0 | 90.0 |
| 37" | | 75.0 | 75.0 | 75.0 | 90.0 |
| 19-1/8" | 78" | 75.0 | 75.0 | 75.0 | 90.0 |
| 26-1/2" | | 75.0 | 75.0 | 75.0 | 90.0 |
| 37" | | 75.0 | 75.0 | 75.0 | 90.0 |
| 19-1/8" | 84" | 75.0 | 75.0 | 75.0 | 90.0 |
| 26-1/2" | | 67.2 | 75.0 | 67.2 | 90.0 |
| 37" | | 75.0 | 75.0 | 75.0 | 90.0 |
| 18" | 24" | 75.0 | 75.0 | 75.0 | 90.0 |
| 24" | | 75.0 | 75.0 | 75.0 | 90.0 |
| 30" | | 75.0 | 75.0 | 75.0 | 90.0 |
| 36" | | 75.0 | 75.0 | 75.0 | 90.0 |
| 18" | 36" | 75.0 | 75.0 | 75.0 | 90.0 |
| 24" | | 75.0 | 75.0 | 75.0 | 90.0 |
| 30" | | 75.0 | 75.0 | 75.0 | 90.0 |
| 36" | | 75.0 | 75.0 | 75.0 | 90.0 |
| 18" | 48" | 75.0 | 75.0 | 75.0 | 90.0 |
| 24" | | 75.0 | 75.0 | 75.0 | 90.0 |
| 30" | | 75.0 | 75.0 | 75.0 | 90.0 |
| 36" | | 75.0 | 75.0 | 75.0 | 90.0 |
| 18" | 60" | 75.0 | 75.0 | 75.0 | 90.0 |
| 24" | | 75.0 | 75.0 | 75.0 | 90.0 |
| 30" | | 75.0 | 75.0 | 75.0 | 90.0 |
| 36" | | 75.0 | 75.0 | 75.0 | 90.0 |
| 18" | 72" | 75.0 | 75.0 | 75.0 | 90.0 |
| 24" | | 75.0 | 75.0 | 75.0 | 90.0 |
| 30" | | 75.0 | 75.0 | 75.0 | 90.0 |
| 36" | | 75.0 | 75.0 | 75.0 | 90.0 |
| 18" | 80" | 75.0 | 75.0 | 75.0 | 90.0 |
| 24" | | 75.0 | 75.0 | 75.0 | 90.0 |
| 30" | | 69.9 | 75.0 | 69.9 | 90.0 |

NOTE:
GLASS CAPACITIES ON THIS SHEET ARE
BASED ON ASTM E1300-09 (3 SEC. GUSTS)
AND FLORIDA BUILDING COMMISSION
DECLARATORY STATEMENT DCA05-DEC-219



GLAZING OPTIONS

| DESIGN LOAD CAPACITY - PSF FOR (XX) SIZES | | | | | |
|---|---------|---------------------------------|---------|----------------------------------|---------|
| WINDOW DIMS. | | GLASS TYPE 'A' & 'B' | | | |
| WIDTH | HEIGHT | 2 ANCHOR AT EACH SIDE OF IMPOST | | 3 ANCHORS AT EACH SIDE OF IMPOST | |
| WIDTH | HEIGHT | EXT.(+) | INT.(-) | EXT.(+) | INT.(-) |
| 26-1/2" | 26" | 75.0 | 75.0 | - | - |
| 37" | | 75.0 | 75.0 | - | - |
| 53-1/8" | | 75.0 | 75.0 | - | - |
| 74" | | 75.0 | 75.0 | - | - |
| 26-1/2" | 38-3/8" | 75.0 | 75.0 | - | - |
| 37" | | 75.0 | 75.0 | - | - |
| 53-1/8" | | 75.0 | 75.0 | - | - |
| 74" | | 75.0 | 75.0 | - | - |
| 26-1/2" | 50-5/8" | 75.0 | 75.0 | - | - |
| 37" | | 75.0 | 75.0 | - | - |
| 53-1/8" | | 75.0 | 75.0 | - | - |
| 74" | | 75.0 | 75.0 | - | - |
| 26-1/2" | 63" | 75.0 | 75.0 | - | - |
| 37" | | 75.0 | 75.0 | - | - |
| 53-1/8" | | 75.0 | 75.0 | - | - |
| 74" | | 70.5 | 70.5 | 75.0 | 75.0 |
| 24" | 24" | 75.0 | 75.0 | - | - |
| 36" | | 75.0 | 75.0 | - | - |
| 48" | | 75.0 | 75.0 | - | - |
| 60" | | 75.0 | 75.0 | - | - |
| 72" | | 75.0 | 75.0 | - | - |
| 24" | 36" | 75.0 | 75.0 | - | - |
| 36" | | 75.0 | 75.0 | - | - |
| 48" | | 75.0 | 75.0 | - | - |
| 60" | | 75.0 | 75.0 | - | - |
| 72" | | 75.0 | 75.0 | - | - |
| 24" | 48" | 75.0 | 75.0 | - | - |
| 36" | | 75.0 | 75.0 | - | - |
| 48" | | 75.0 | 75.0 | - | - |
| 60" | | 75.0 | 75.0 | - | - |
| 72" | | 75.0 | 75.0 | - | - |
| 24" | 60" | 75.0 | 75.0 | - | - |
| 36" | | 75.0 | 75.0 | - | - |
| 48" | | 75.0 | 75.0 | - | - |
| 60" | | 75.0 | 75.0 | - | - |
| 72" | | 75.0 | 75.0 | - | - |

Engr: JAVAD AHMAD
CML
FLA. PE # 70592
C.A.N. 3538

DEC 16 2015

PRODUCT REVISED
as complying with the Florida
Building Code 15-0707.01
Acceptance No
Expiration Date Feb 5, 2019
By Manuel Perez
Miami Dade Product Control

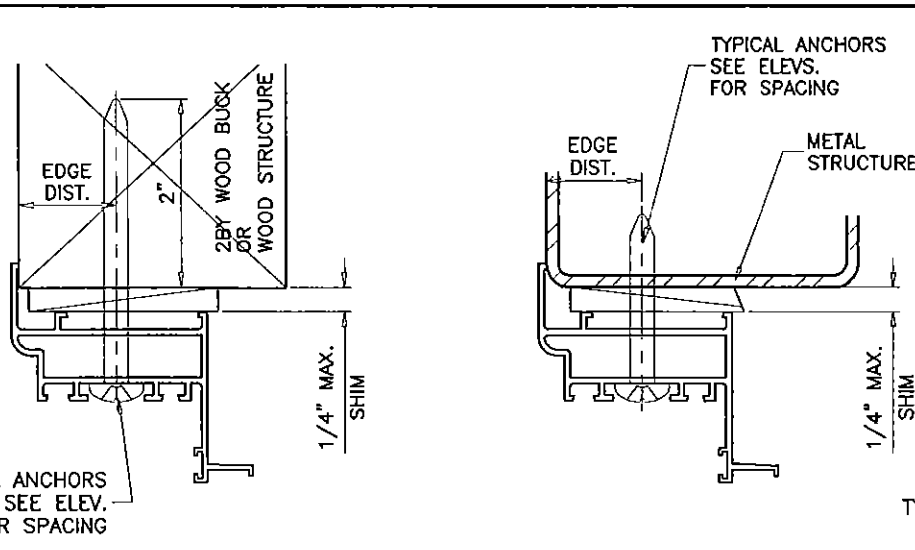
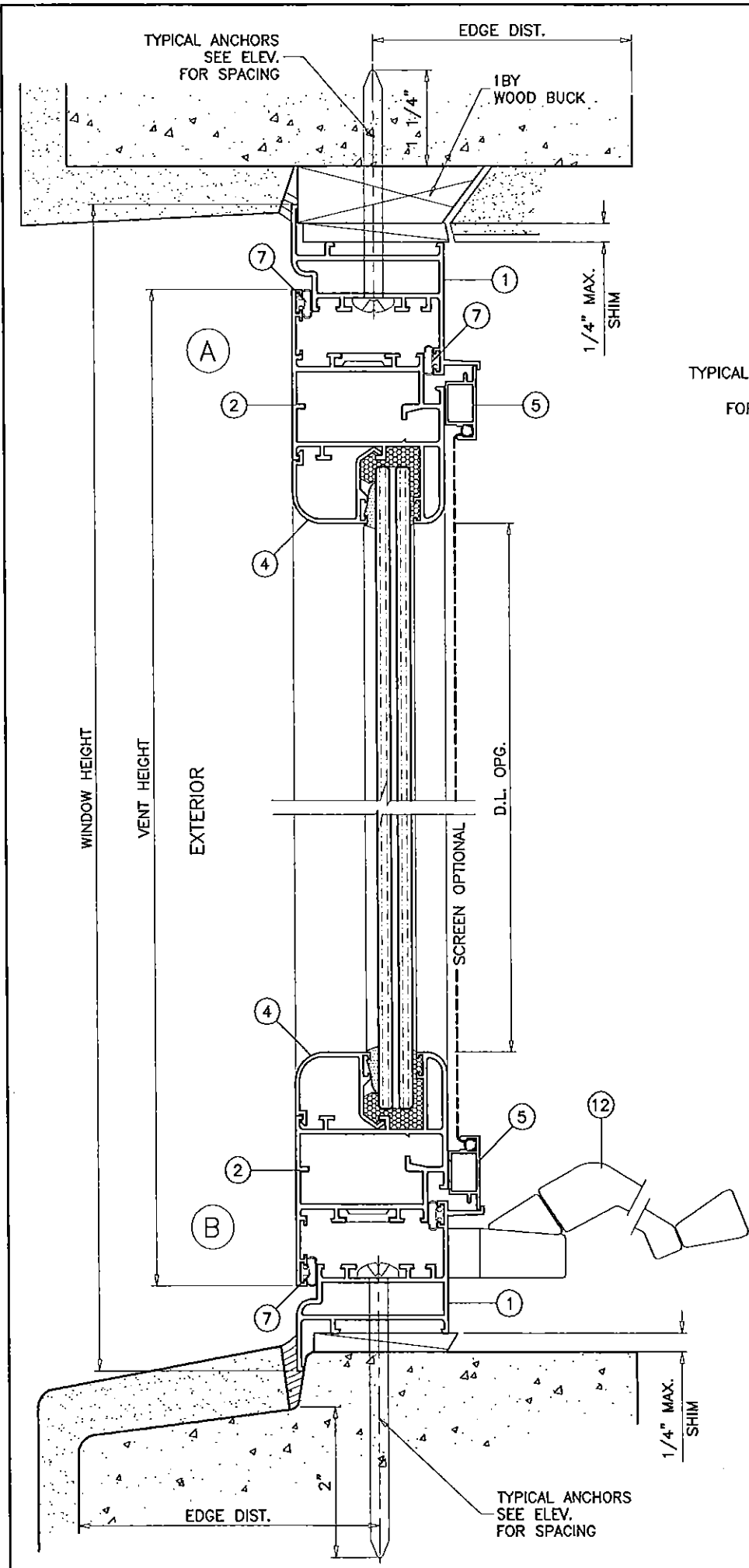
afc
AL-FAROOQ CORPORATION
ENGINEERS & PRODUCT DEVELOPMENT
9360 SUNSET DRIVE, SUITE 220
MIAMI, FLORIDA 33173
TEL. (305) 264-8100 FAX. (305) 262-6978
COMP-ANL\W03-80EWD

ALUMINUM CASEMENT WINDOW (L.M.I.)
EUROTECH INDUSTRIES INC.
4201 N.E. 12TH TERRACE
FT. LAUDERDALE, FL. 33334
TEL. (954) 630-9967 FAX. (954) 630-0217

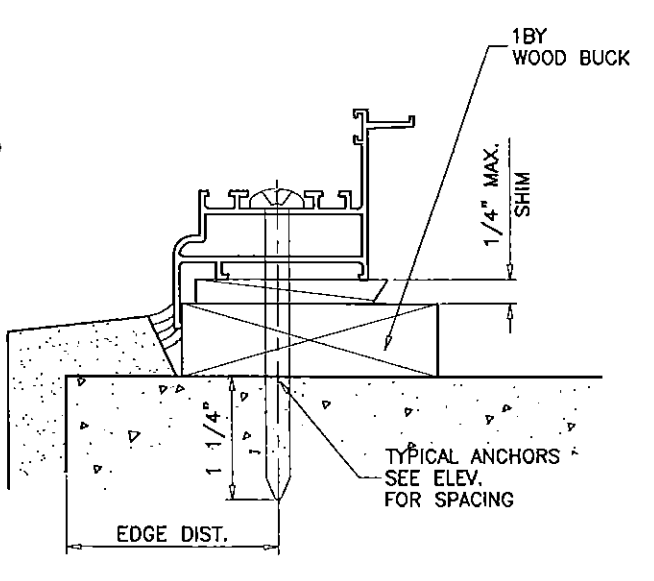
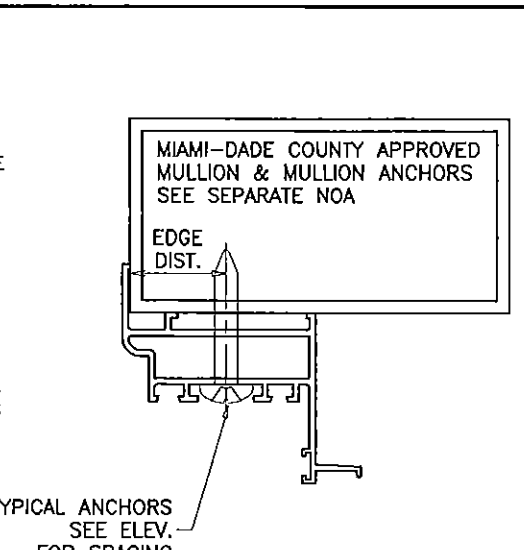
| no | date | by | description |
|----|----------|----|-----------------------|
| C | 10.06.08 | | UPDATED FOR 2007 FBC |
| D | 10.19.11 | | NO CHANGE THIS SHEET |
| E | 12.16.13 | | INTERLAYERS NAME REV. |
| F | 06.03.15 | | UPDATED TO 2014 FBC |
| G | 12.03.15 | | REV. PER REF COMMENTS |

date: 09-05-03
scale: 1/2" = 1"
dr. by: HAMID
chk. by:

drawing no.
W03-80
sheet 2 of 5



WOOD BUCKS AND METAL STRUCTURE NOT BY EUROTECH MUST SUSTAIN LOADS IMPOSED BY GLAZING SYSTEM AND TRANSFER THEM TO THE BUILDING STRUCTURE.



TYPICAL ANCHORS: SEE ELEV. FOR SPACING

1/4" DIA. ULTRACON BY 'ELCO' (Fu=177 KSI, Fy=155 KSI)
 INTO 2BY WOOD STRUCTURES
 2" MIN. PENETRATION INTO WOOD (HEAD/SILL/JAMBS)
 THRU 1BY OR 2BY BUCKS INTO CONC. OR MASONRY
 1-1/4" MIN. EMBED INTO CONCRETE (HEAD/SILL)
 1-1/4" MIN. EMBED INTO CONC. OR MASONRY (JAMBS)
 DIRECTLY INTO CONC. OR MASONRY
 2" MIN. EMBED INTO CONCRETE (HEAD/SILL)
 1-1/4" MIN. EMBED INTO CONC. OR MASONRY (JAMBS)

1/4" DIA. TEKS OR SELF DRILLING SCREWS (GRADE 5 CRS)
 INTO METAL STRUCTURES
 STEEL : 1/8" THK. MIN. (Fy = 36 KSI MIN.)
 ALUMINUM : 1/8" THK. MIN. (6063-T5 MIN.)
 (STEEL IN CONTACT WITH ALUMINUM TO BE PLATED OR PAINTED)

#12 TEKS OR SELF DRILLING SCREWS (GRADE 5 CRS)
 INTO MIAMI-DADE COUNTY APPROVED MULLIONS (MIN. THK. = 1/8")
 (NO SHIM SPACE)

TYPICAL EDGE DISTANCE
 INTO CONCRETE AND MASONRY = 1" MIN.
 INTO WOOD STRUCTURE = 1" MIN.
 INTO METAL STRUCTURE = 1/2" MIN.

WOOD AT HEAD, SILL OR JAMBS SG = 0.55 MIN.
 CONCRETE AT HEAD, SILL OR JAMBS f'c = 3000 PSI MIN.
 C-90 HOLLOW/FILLED BLOCK AT JAMBS f'm = 2000 PSI MIN.

SEALANTS:
 ALL FRAME AND VENT CORNERS AND INSTALLATION SCREWS
 SEALED WITH CLEAR/ALUMINUM COLORED SILICONE.

Engr: JAVAD AHMAD
 CML
 FLA. PE # 70592
 C.A.N. 3538

DEC 16 2015

PRODUCT REVISED
 as complying with the Florida
 Building Code
 Acceptance No. 15-0707.01
 Expiration Date Feb 5, 2019

By *Manuel Perez*
 Miami Dade Product Control

af c

AL-FAROOQ CORPORATION
 ENGINEERS & PRODUCT DEVELOPMENT
 9360 SUNSET DRIVE, SUITE 220
 MIAMI, FLORIDA 33173
 TEL. (305) 264-8100 FAX. (305) 262-6978
 COMP-ANL\W03-80EWD

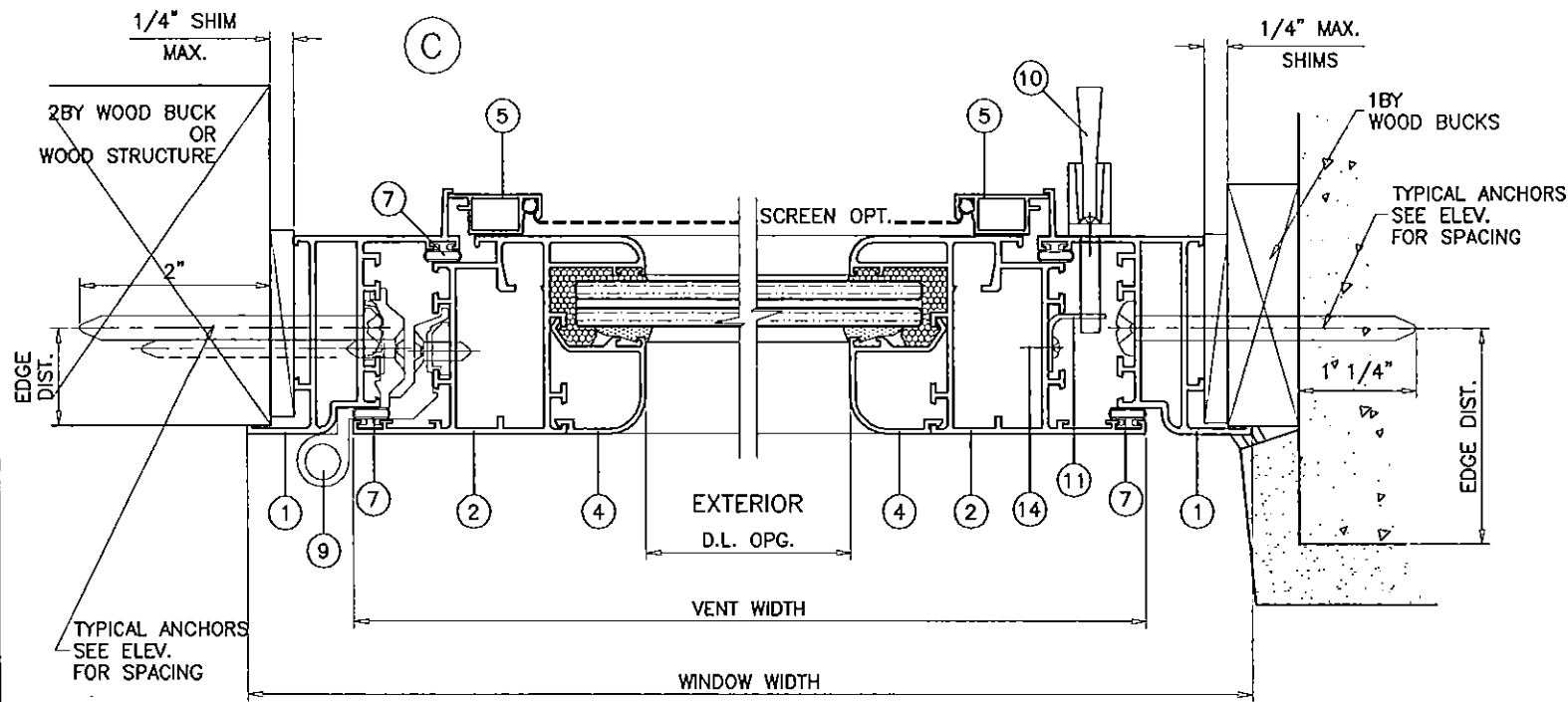
ALUMINUM CASEMENT WINDOW (L.M.I.)

EUROTECH INDUSTRIES INC.
 4201 N.E. 12TH TERRACE
 FT. LAUDERDALE, FL. 33334
 TEL. (954) 630-9967 FAX. (954) 630-0217

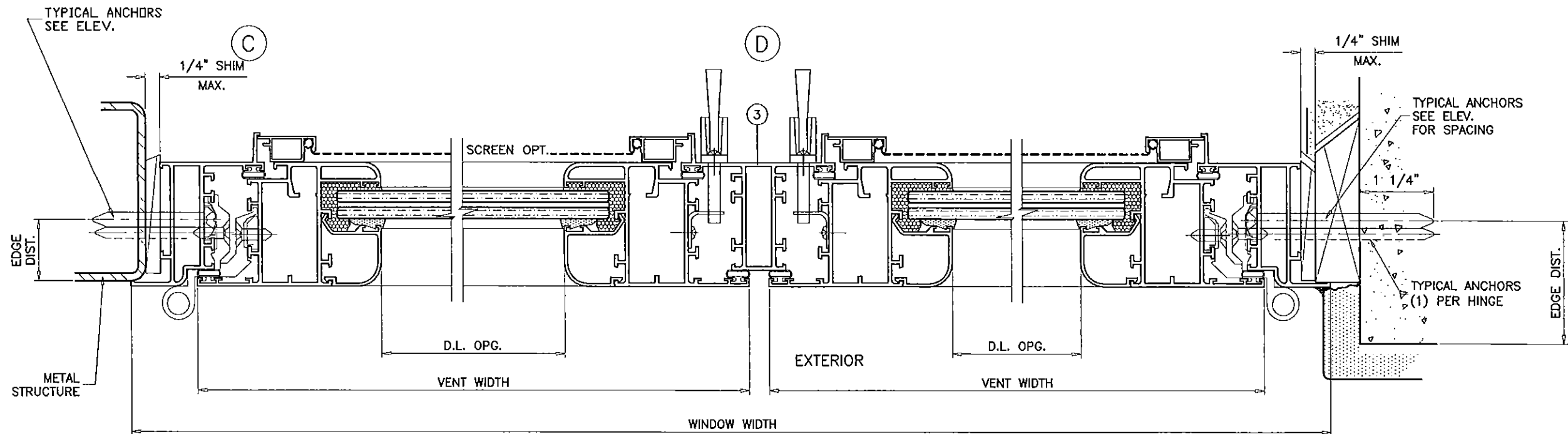
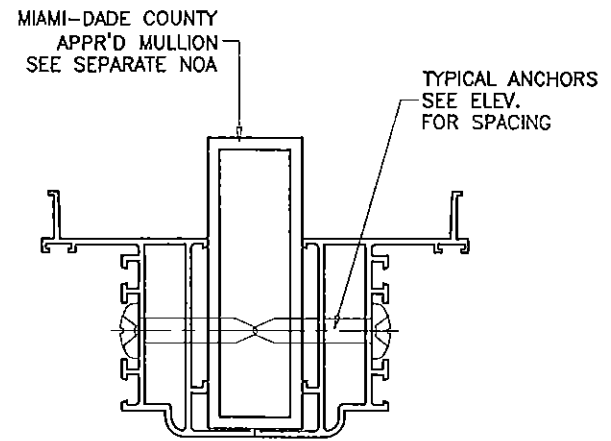
| revisions: | no | date | by | description |
|------------|----|----------|----|-----------------------|
| | C | 10.06.08 | | UPDATED FOR 2007 FBC |
| | D | 10.19.11 | | NO CHANGE THIS SHEET |
| | E | 12.16.13 | | NO CHANGE THIS SHEET |
| | F | 06.03.15 | | UPDATED TO 2014 FBC |
| | G | 12.03.15 | | REV. PER RER COMMENTS |

date: 09-05-03
 scale: 1/2" = 1"
 dr. by: HAMID
 chk. by:

drawing no.
W03-80
 sheet 3 of 5



SINGLE VENT WINDOWS



DUAL VENT WINDOWS

Engr: JAVAD AHMAD
 CML
 FLA. PE # 70592
 C.A.N. 3538
 DEC 1 2015

PRODUCT REVISED
 as complying with the Florida
 Building Code
 Acceptance No 15-0707 01
 Expiration Date Feb 5, 2019
 By Manuel J. [Signature]
 Miami Dade Product Control

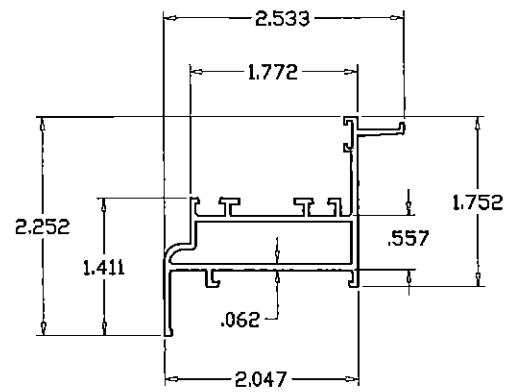
afc
AL-FAROOQ CORPORATION
 ENGINEERS & PRODUCT DEVELOPMENT
 9360 SUNSET DRIVE, SUITE 220
 MIAMI, FLORIDA 33173
 TEL. (305) 264-8100 FAX. (305) 262-6978
 COMP-ANL\W03-80EWD

ALUMINUM CASEMENT WINDOW (L.M.I.)
EUROTECH INDUSTRIES INC.
 4201 N.E. 12TH TERRACE
 FT. LAUDERDALE, FL. 33334
 TEL. (954) 630-9967 FAX. (954) 630-0217

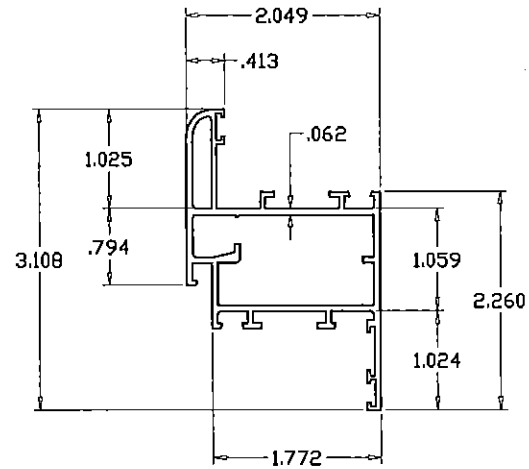
| no | date | by | description |
|----|----------|----|-----------------------|
| C | 10.06.08 | | UPDATED FOR 2007 FBC |
| D | 10.19.11 | | NO CHANGE THIS SHEET |
| E | 12.16.13 | | NO CHANGE THIS SHEET |
| F | 06.03.15 | | UPDATED TO 2014 FBC |
| G | 12.03.15 | | REV. PER RER COMMENTS |

date: 09-05-03
 scale: 1/2" = 1"
 dr. by: HAMID
 chk. by:

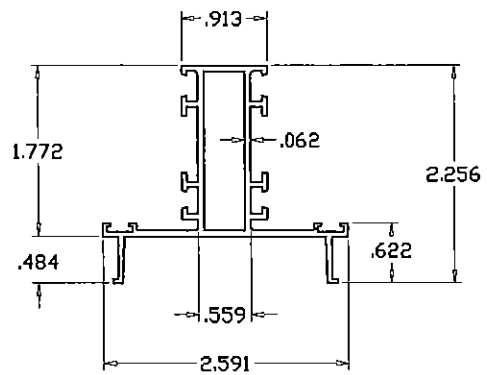
drawing no.
W03-80
 sheet 4 of 5



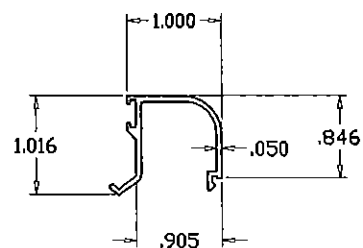
FRAME



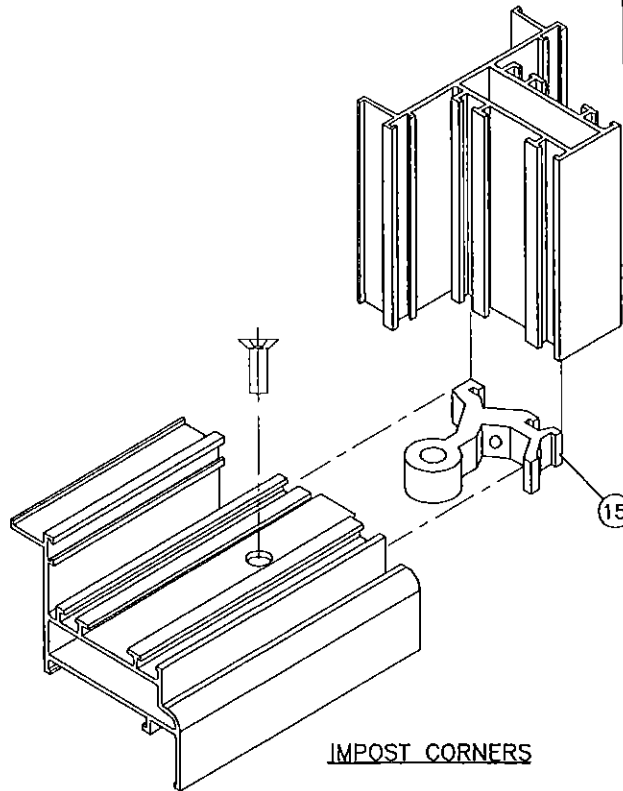
VENT



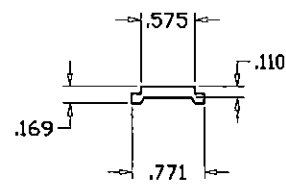
IMPOST



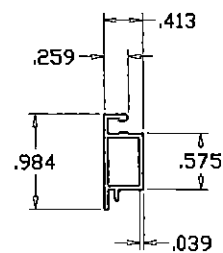
GLAZING BEAD



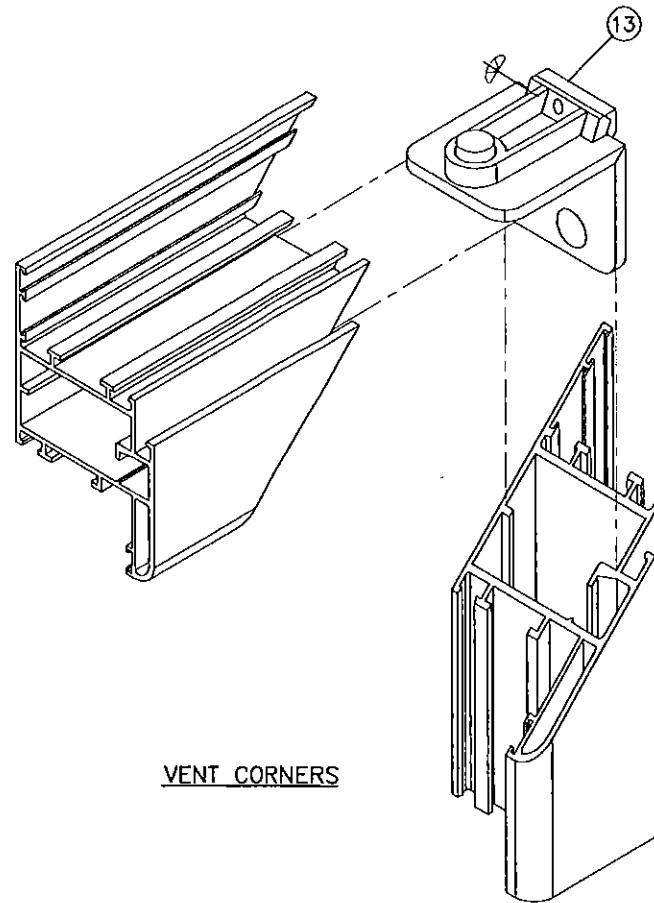
IMPOST CORNERS



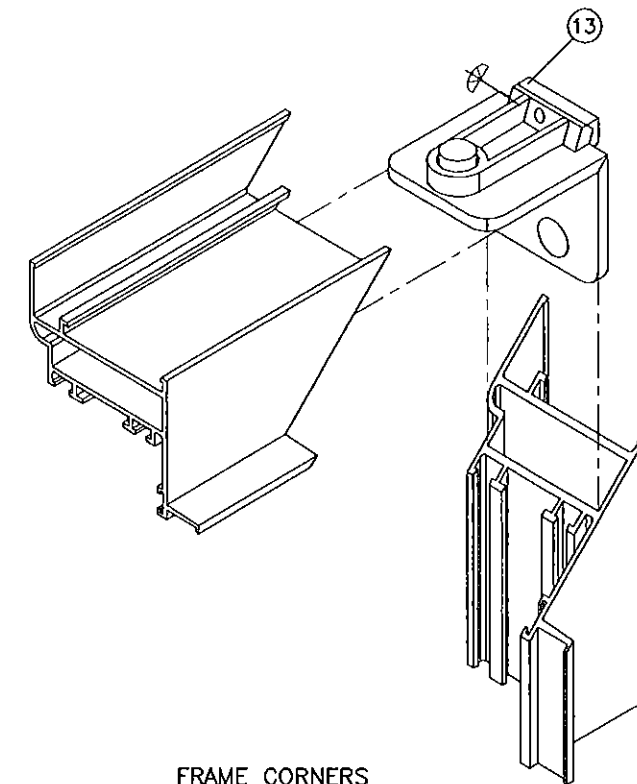
WINDOW SCREEN



| ITEM | PART # | QUANTITY | DESCRIPTION | MATERIAL | MANF./SUPPLIER/REMARKS |
|------|--------------|-----------|--|----------|--|
| 1 | ER001 | 4 | WINDOW FRAME | 6063-T6 | -- |
| 2 | ER008 | 4 | VENT | 6063-T6 | -- |
| 3 | ER003 | 1 | CENTER POST | 6063-T6 | -- |
| 4 | ER002 | AS REQD. | GLAZING BEAD | 6063-T6 | -- |
| 5 | ER004 | OPTIONAL | WINDOW SCREEN | 6063-T6 | -- |
| 6 | 2801 | AS REQD. | WEDGE GASKET | -- | -- |
| 7 | -- | AS REQD. | FRAME WEATHERSTRIPPING | VINYL | -- |
| 9 | 0150X | 3/ VENT | HINGES | -- | GIESSE, ATTACHED W/ (3) #12 X 7/16" MS |
| 10 | 24.25.32.300 | 2/ VENT | LEVER TYPE FACE MOUNT LOCK, 7" FROM TOP & BOTTOM | STEEL | TRUTH, ATTACHED W/ (2) #8 X 3/8" PH SMS |
| 11 | -- | 2/ VENT | LOCK KEEPERS, AT VENT STILE FACING LOCK | STEEL | ATTACHED W/ (2) #8 X 3/4" PH SDS |
| 12 | 10579.32 | 1 | ROTO OPERATOR | STEEL | TRUTH, ATTACHED W/ (2) #10 X 1/2" SS SMS |
| 13 | 1103 | 1/ CORNER | CLIP-ON CORNER JOINT | ALUMINUM | GIESSE |
| 14 | -- | 2/ LOCK | LOCK INSTALLATION SCREWS | -- | #8 X 3/8" PH SMS |
| 15 | 485 | AS REQD. | T-POST CONNECTOR | -- | GIESSE |



VENT CORNERS



FRAME CORNERS

Engr: JAVAD AHMAD
 CIVIL
 FLA. PE # 70592
 C.A.N. 3538
 DEC 16 2015

PRODUCT REVISED
 as complying with the Florida
 Building Code
 Acceptance No 15-0707.01
 Expiration Date Feb 5, 2019
 By *Mamuel Perez*
 Miami Dade Product Control

af c
AL-FAROOQ CORPORATION
 ENGINEERS & PRODUCT DEVELOPMENT
 9360 SUNSET DRIVE, SUITE 220
 MIAMI, FLORIDA 33173
 TEL. (305) 264-8100 FAX. (305) 262-6978
 COMP-ANL\W03-80EWD

ALUMINUM CASEMENT WINDOW (L.M.I.)
EUROTECH INDUSTRIES INC.
 4201 N.E. 12TH TERRACE
 FT. LAUDERDALE, FL. 33334
 TEL. (954) 630-9987 FAX. (954) 630-0217

| no. | date | by | description |
|-----|----------|----|----------------------|
| C | 10.06.08 | | UPDATED FOR 2007 FBC |
| D | 10.19.11 | | NO CHANGE THIS SHEET |
| E | 12.16.13 | | NO CHANGE THIS SHEET |
| F | 06.03.15 | | NO CHANGE THIS SHEET |
| G | 12.03.15 | | NO CHANGE THIS SHEET |

date: 09-05-03
 scale: 1/2" = 1"
 dr. by: HAMID
 chk. by:

drawing no.
W03-80
 sheet 5 of 5