



MIAMI-DADE COUNTY
 PRODUCT CONTROL SECTION
 11805 SW 26 Street, Room 208
 Miami, Florida 33175-2474
 T (786) 315-2590 F (786) 315-2599
www.miamidade.gov/economy

DEPARTMENT OF REGULATORY AND ECONOMIC RESOURCES (RER)
 BOARD AND CODE ADMINISTRATION DIVISION
NOTICE OF ACCEPTANCE (NOA)

Eurotech Industries, Inc.
4201 NE 12 Terrace
Fort Lauderdale, FL 33334

SCOPE:

This NOA is being issued under the applicable rules and regulations governing the use of construction materials. The documentation submitted has been reviewed and accepted by Miami-Dade County RER -Product Control Section to be used in Miami Dade County and other areas where allowed by the Authority Having Jurisdiction (AHJ).

This NOA shall not be valid after the expiration date stated below. The Miami-Dade County Product Control Section (In Miami Dade County) and/or the AHJ (in areas other than Miami Dade County) reserve the right to have this product or material tested for quality assurance purposes. If this product or material fails to perform in the accepted manner, the manufacturer will incur the expense of such testing and the AHJ may immediately revoke, modify, or suspend the use of such product or material within their jurisdiction. RER reserves the right to revoke this acceptance, if it is determined by Miami-Dade County Product Control Section that this product or material fails to meet the requirements of the applicable building code.

This product is approved as described herein, and has been designed to comply with the Florida Building Code, including the High Velocity Hurricane Zone.

DESCRIPTION: Aluminum Outswing Entrance Door-LMI

APPROVAL DOCUMENT: Drawing No. W15-26, titled "Aluminum Single Outswing Entrance Door (L.M.I.)", sheets 1 through 4 of 4, dated 06/25/15, prepared by AL-Farooq Corporation, signed and sealed by Javad Ahmad, P.E., dated 07/03/15 bearing the Miami-Dade County Product Control Approval stamp with the Notice of Acceptance number and approval date by the Miami-Dade County Product Control Section.

MISSILE IMPACT RATING: Large and Small Missile Impact

LABELING: Each unit shall bear a permanent label with the manufacturer's name or logo, city, state and series and following statement: "Miami-Dade County Product Control Approved", noted herein.

RENEWAL of this NOA shall be considered after a renewal application has been filed and there has been no change in the applicable building code negatively affecting the performance of this product.

TERMINATION of this NOA will occur after the expiration date or if there has been a revision or change in the materials, use, and/or manufacture of the product or process. Misuse of this NOA as an endorsement of any product, for sales, advertising or any other purposes shall automatically terminate this NOA. Failure to comply with any section of this NOA shall be cause for termination and removal of NOA.

ADVERTISEMENT: The NOA number preceded by the words Miami-Dade County, Florida, and followed by the expiration date may be displayed in advertising literature. If any portion of the NOA is displayed, then it shall be done in its entirety.

INSPECTION: A copy of this entire NOA shall be provided to the user by the manufacturer or its distributors and shall be available for inspection at the job site at the request of the Building Official.

This NOA consists of this page 1 and evidence page E-1, E-2 and Green Sustainable Attributes (G.S.A.) page G-1 as well as approval document mentioned above.

The submitted documentation was reviewed by **Jorge M. Plasencia, P.E.**



JP 4/7/16

NOA No. 15-0707.02
 Expiration Date: June 10, 2019
 Approval Date: January 14, 2016
 Page 1

Eurotech Industries, Inc.

NOTICE OF ACCEPTANCE: EVIDENCE SUBMITTED

A. DRAWINGS

1. Manufacturer's die drawings and sections.
2. Drawing No. **W15-26**, titled "Aluminum Single Outswing Entrance Door (L.M.I.)", sheets 1 through 4 of 4, dated 06/25/15, prepared by AL-Farooq Corporation, signed and sealed by Javad Ahmad, P.E., dated 07/03/15.

B. TESTS

1. Test reports on 1) Air Infiltration Test, per FBC, TAS 202-94
2) Uniform Static Air Pressure Test, Loading per FBC, TAS 202-94
3) Water Resistance Test per FBC, TAS 202-94
4) Forced Entry Test, per FBC 2411 3.2.1 and TAS 202-94
5) Large Missile Impact Test per FBC, TAS 201-94
6) Cyclic Wind Pressure Loading per FBC, TAS 203-94
along with installation diagram of aluminum outswing door, prepared by American Test Lab of South Florida, Test Report No(s). **ATLSF 0304.01-15**, dated 05/26/15, signed and sealed by Stephen Warter, P.E.
2. Tensile Test prepared by Hurricane Engineering & Testing, Test No. HETI-04-T100, dated 01/29/04, tested per ASTM E8-01, signed & sealed by Rafael E. Droz-Seda, P.E.

C. CALCULATIONS

1. Anchor Calculations and structural analysis, dated 07/01/2015, prepared by Al-Farooq Corp., signed and sealed by Javad Ahmad, P.E., dated 07/02/15.
2. Glazing complies w/ ASTM E-1300-09.

D. QUALITY ASSURANCE

1. Miami Dade Department of Regulatory and Economic Resources (RER)

E. MATERIAL CERTIFICATIONS


1. Notice of Acceptance No. **14-0423.17** issued to Eastman Chemical Company for their "Saflex Clear and Color Glass Interlayers", expiring on 5/21/16.

F. STATEMENTS

1. Statement letter of conformance to FBC 2014, 5th edition, prepared by Al Farooq Corporation, dated 07/01/2015, signed and sealed by Javad Ahmad, P.E.

G. OTHERS

1. Notice of Acceptance No. **14-0303.09**, issued to Eurotech Industries, Inc. for their Aluminum Outswing Entrance Door, approved on May 15, 2014 and expiring on 6/10/2019.
2. Simulation Performance, Solar Heat Gain Coefficient, Visible Transmittance, & Condensation Resistance Calculation Report on:
 - 1) **NFRC 100-2010** "Procedure for Determining Fenestration Product U-Factors"
 - 2) **NFRC 200-2010** "Procedure for Determining Fenestration Product Solar Heat Gain Coefficients and Visible Transmittance at Normal Incidence"
 - 3) **NFRC 500-2010** "Procedure for Determining Fenestration Product Condensation Resistance Values"



Jorge M. Plasencia, P.E.
Product Control Unit Supervisor
NOA No. 15-0707.02
Expiration Date: June 10, 2019
Approval Date: January 14, 2016

NOTICE OF ACCEPTANCE: EVIDENCE SUBMITTED (cont.)

G. OTHERS (Continued)

Using computer simulation in accordance with NFRC: Frame and Edge Modeling: THERM 6.3.38, / WINDOW 6.3.74, Simulation Manual; Optics 6 of a Eurotech Industries aluminum entrance door, along with attached drawings and bill of materials included in Appendix, by Fenestration Testing Laboratory, Inc., Test Report No. 8367, pages 1 through 6 of 6, dated 05/13/15, signed by Jose Sanchez, NFRC Accredited Simulator, Simulator-In-Responsible-Charge.

3. NFRC 102-2010 Thermal Performance Test Report on:

1) NFRC 102-2010 "Test Procedure for Measuring Steady-State Thermal Transmittance of Fenestration Systems"

Test report of a Eurotech Industries aluminum entrance door with Low E and Argon, along with submittal component drawings, with applicable part numbers, manufacturing and modeling details included in Appendix A, marked up by Fenestration Testing Laboratory, Inc., Test Report No. 8313, pages 1 through 7 of 7, dated 05/18/2015, signed by signed by Jose Sanchez, NFRC Accredited Simulator, Simulator-In-Responsible-Charge.



Jorge M. Plasencia, P.E.
Product Control Unit Supervisor
NOA No. 15-0707.02
Expiration Date: June 10, 2019
Approval Date: January 14, 2016

NOTICE OF ACCEPTANCE: EVIDENCE SUBMITTED

GREEN SUSTAINABLE ATTRIBUTES (GSA)

SCOPE: This document is solely for the purpose of verification of Sustainable Attributes of construction materials. The documentation submitted has been reviewed by Miami-Dade County Product Control.

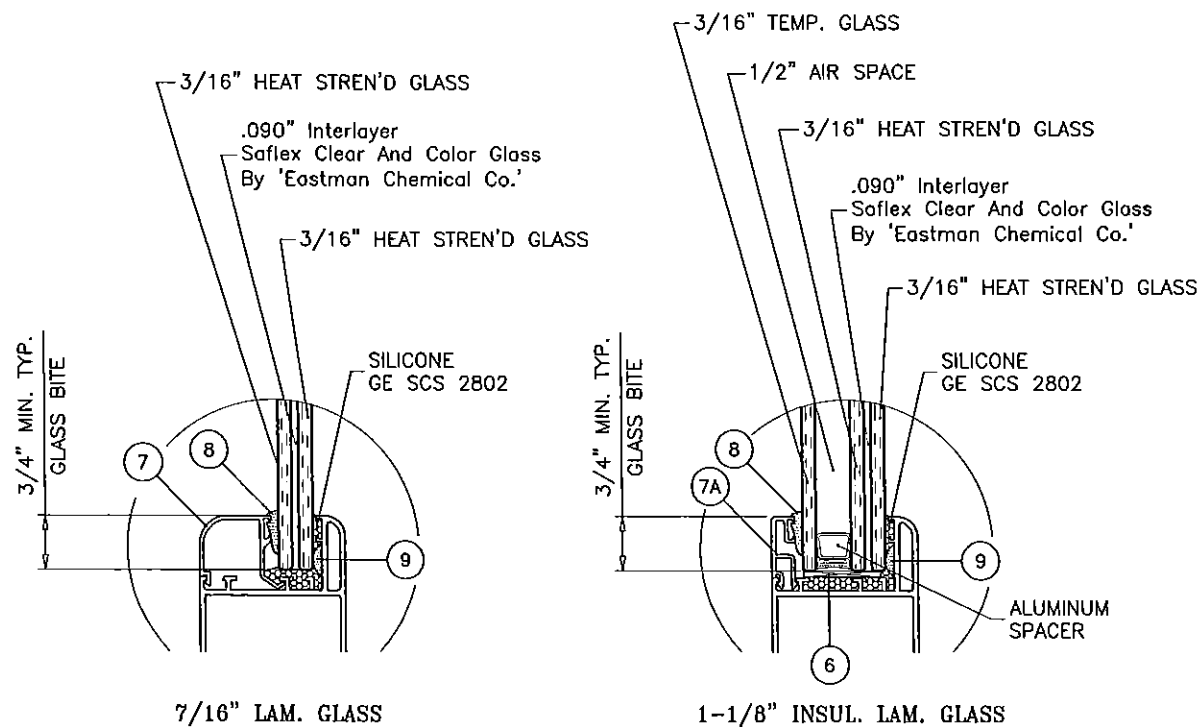
G.8 – U-FACTOR (THERMAL TRANSMITTANCE) BTU/ HR-Ft²-°F						
G.9 – SHGC-FACTOR (SOLAR HEAT GAIN COEFFICIENT) BTU/ HR-Ft²						
VT – VISIBLE LIGHT TRANSMITTANCE AT NORMAL INCIDENCE						
CR – CONDENSATION RESISTANCE						
ID#	Test Report#:	Glazing Components:	G.8: U-Factor	G.9: SHGC	VT	CR
	Base line Product	3/16" LoE 340-ARG-3/16" CLR-090 PVB-3/16" CLR	0.63	-	-	-
1.	Fenestration Testing Laboratory #8367	3/16" LoE 366-ARG-3/16" CLR-090 PVB-3/16" CLR	0.63	0.14	0.22	20
2.		3/16" LoE 366-ARG-3/16" CLR-090 PVB-3/16" CLR	0.63	0.20	0.37	20
3.		3/16" LoE-ARG-3/16" CLR-090 PVB-3/16" i89	0.59	0.19	0.37	19
4.		3/16" CLR-ARG-3/16" CLR-090 PVB-3/16" CLR	0.74	0.45	0.47	19
		3/16" CLR-ARG-3/16" CLR-030 PVB-030 BRZ PVB-030 CLR PVB-3/16" CLR	0.74	0.42	0.26	19
		3/16" CLR-ARG-3/16" CLR-030 PVB-030 GRY PVB-030 CLR PVB-3/16" CLR	0.74	0.42	0.023	19
5.		3/16" LoE 366- 090 PVB-3/16" i89	0.83	0.22	0.36	10
6.		3/16" LoE 340- 090 PVB-3/16" i89	0.83	0.17	0.22	10
7.		3/16" CLR-3/16" CLR-030 PVB-030 BRZ PVB-030 CLR PVB-3/16" CLR	1.04	0.28	0.04	16
		3/16" CLR-090 PVB CLR-3/16" CLR	1.04	0.48	0.52	16
		3/16" CLR-3/16" CLR-030 PVB-030 GRY PVB-030 CLR PVB-3/16" CLR	1.04	0.31	0.07	16
8.	3/16" Solexia-090 PVB-3/16" CLR	1.04	0.40	0.47	16	
9.	3/16" LoE 366-090 PVB-3/16" CLR	1.04	0.24	0.37	16	
10.	3/16" LoE 340-090 PVB-3/16" CLR	1.04	0.21	0.22	16	
11.	3/16" GRY-090 PVB-3/16" LoE366	1.04	0.26	0.21	16	

Legend	
Abbreviations:	Description:
SS-D	Desiccant-Filled Stainless Steel Spacer
240#2	Cardinal Low E 240 @ #2 Surface Typical
ARG	90% Argon
PVB	0.090" Poly Vinyl Butryal (PVB) interlayer
CLR	Clear Glass
BRZ	Bronze Tint Glass
GRN	Green Tint Glass
GRY	Gray Tint Glass
LoE	Low E Coating

Low E Coatings Used: Cardinal LoE 340 e=0.028
 Cardinal LoE 366 e=0.022
 Cardinal LoE i89 e=0.149



Jorge M. Plasencia, P.E.
 Product Control Unit Supervisor
 NOA No. 15-0707.02
 Expiration Date: June 10, 2019
 Approval Date: January 14, 2016



GLAZING DETAILS

THESE DOORS ARE RATED FOR LARGE & SMALL MISSILE IMPACT. SHUTTERS ARE NOT REQUIRED.

ALUMINUM SINGLE OUTSWING ENTRANCE DOOR

THIS PRODUCT HAS BEEN DESIGNED AND TESTED TO COMPLY WITH THE REQUIREMENTS OF THE FLORIDA BUILDING CODE INCLUDING HIGH VELOCITY HURRICANE ZONE (HVHZ).

1BY OR 2BY WOOD BUCKS BY OTHERS, MUST BE ANCHORED PROPERLY TO TRANSFER LOADS TO THE STRUCTURE.

ANCHORS SHALL BE AS LISTED, SPACED AS SHOWN ON DETAILS, ANCHORS EMBEDMENT TO BASE MATERIAL SHALL BE BEYOND WALL DRESSING OR STUCCO.

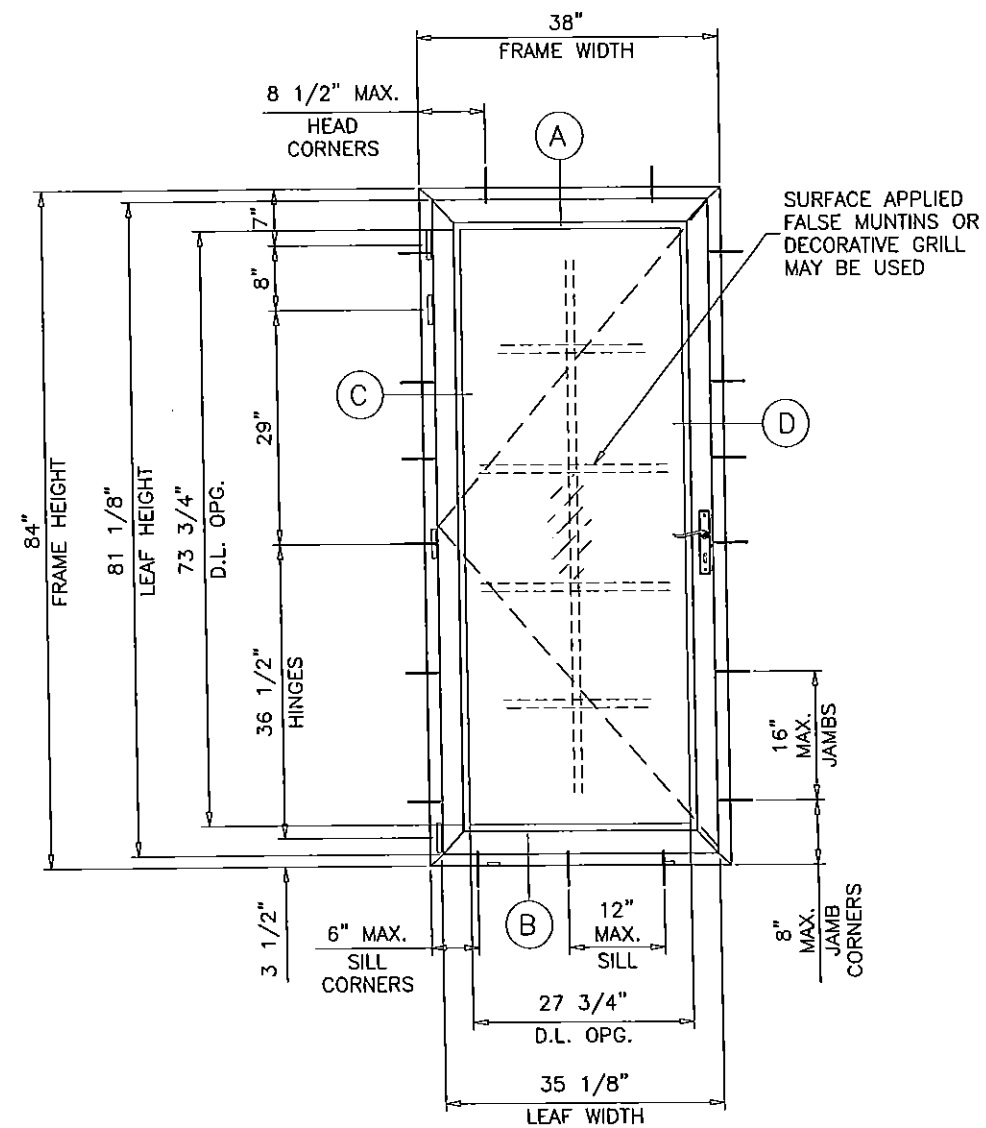
ANCHORING OR LOADING CONDITIONS NOT SHOWN IN THESE DETAILS ARE NOT PART OF THIS APPROVAL.

A LOAD DURATION INCREASE IS USED IN DESIGN OF ANCHORS INTO WOOD ONLY.

ALL SHIMS TO BE HIGH IMPACT, NON-METALLIC AND NON-COMPRESSIBLE.

MATERIALS INCLUDING BUT NOT LIMITED TO STEEL/METAL SCREWS, THAT COME INTO CONTACT WITH OTHER DISSIMILAR MATERIALS SHALL MEET THE REQUIREMENTS OF THE FLORIDA BUILDING CODE.

DOORS APPROVED FOR INSTALLATIONS WHERE WATER INFILTRATION RESISTANCE IS REQUIRED.



TYPICAL ELEVATION

MAXIMUM DESIGN LOAD RATING = + 70.0 PSF
(FOR MAX. SIZE SHOWN ABOVE OR SMALLER) - 75.0 PSF
AS PERMITTED BY FBC REQUIREMENTS

NOTE:
GLASS CAPACITIES ON THIS SHEET ARE BASED ON ASTM E1300-09 (3 SEC. GUSTS) AND FLORIDA BUILDING COMMISSION DECLARATORY STATEMENT DCA05-DEC-219

NOTE:
APPLICABLE EGRESS REQUIREMENTS TO BE REVIEWED BY AHJ.

Engr: JAVAD AHMAD
CIVIL
FLA. PE # 70592
C.A.N. 3538
JUL 08 2015

Approved as complying with the Florida Building Code
Date Jan 14, 2016
NOA# 15-0707-02
Miami Dade Product Control

By *[Signature]*

GLASS D.L.O. FORMULAE:
D.L.O. WIDTH = FRAME WIDTH - 10.250"
D.L.O. HEIGHT = FRAME HEIGHT - 10.250"

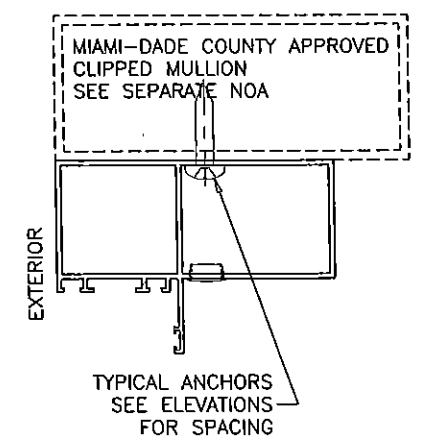
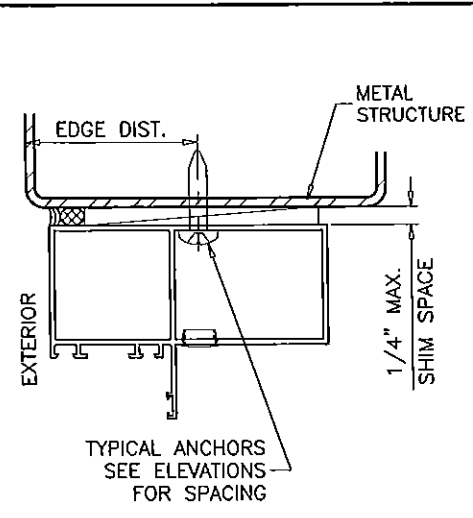
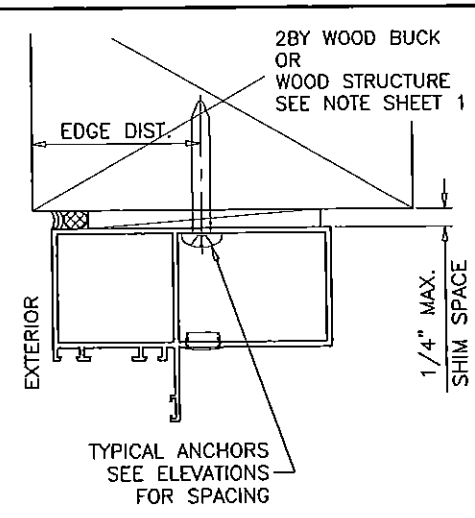
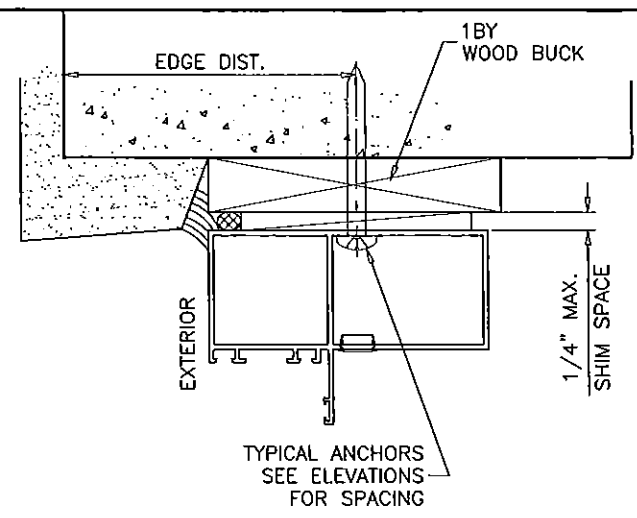
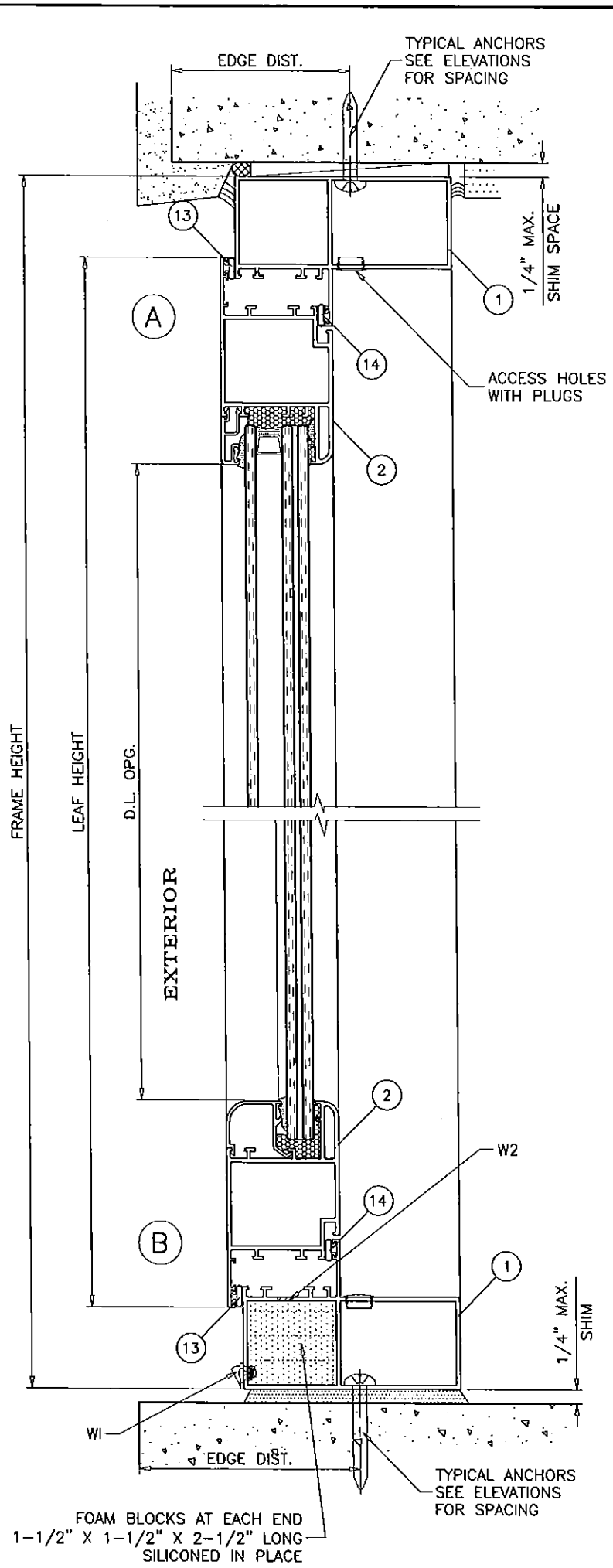
af c
AL-FAROOQ CORPORATION
ENGINEERS & PRODUCT DEVELOPMENT
1235 S.W. 87 AVE
MIAMI, FLORIDA 33174
TEL (305) 264-8100 FAX (305) 262-6978
COMP-ANL\W15-26E1

ALUM SINGLE OUTSWING ENTRANCE DOOR (L.M.I.)
EUROTECH INDUSTRIES INC.
4201 N.E. 12TH TERRACE
FT. LAUDERDALE, FL. 33334
TEL (954) 630-9967 FAX (954) 630-0217

no	date	by	description

date: 06-25-15
scale: 1/2"=1'-0"
dr. by: HAMID
chk. by: *[Signature]*

drawing no.
W15-26
sheet 1 of 4



WOOD BUCKS AND METAL STRUCTURE NOT BY EUROTECH MUST SUSTAIN LOADS IMPOSED BY GLAZING SYSTEM AND TRANSFER THEM TO THE BUILDING STRUCTURE.

TYPICAL ANCHORS: SEE ELEV. FOR SPACING
1/4" DIA. ULTRACON BY 'ELCO' (Fu=177 KSI, Fy=155 KSI)
 INTO 2BY WOOD BUCKS OR WOOD STRUCTURES
 1-1/2" MIN. PENETRATION INTO WOOD (HEAD/JAMBS)
 THRU 1BY BUCKS INTO CONC. OR MASONRY
 1-1/4" MIN. EMBED INTO CONCRETE (HEAD)
 1-1/4" MIN. EMBED INTO CONC. OR MASONRY (JAMBS)
 DIRECTLY INTO CONC. OR MASONRY
 1-1/4" MIN. EMBED INTO CONCRETE (HEAD/SILL)
 1-1/4" MIN. EMBED INTO CONC. OR MASONRY (JAMBS)
#14 SMS OR SELF DRILLING SCREWS (GRADE 2 CRS)
 INTO MIAMI-DADE COUNTY APPROVED MULLIONS (MIN. THK. = 1/8")
 INTO METAL STRUCTURES
 STEEL : 1/8" THK. MIN. (Fy = 36 KSI MIN.)
 ALUMINUM : 1/8" THK. MIN. (6063-T5 MIN.)
 (STEEL IN CONTACT WITH ALUMINUM TO BE PLATED OR PAINTED)
TYPICAL EDGE DISTANCE
 INTO CONCRETE AND MASONRY = 2-1/2" MIN.
 INTO WOOD STRUCTURE = 1" MIN.
 INTO METAL STRUCTURE = 3/4" MIN.

WOOD AT HEAD OR JAMBS SG = 0.55 MIN.
 CONCRETE AT HEAD, SILL OR JAMBS f'c = 3000 PSI MIN.
 C-90 HOLLOW/FILLED BLOCK AT JAMBS f'm = 2000 PSI MIN.

WEEPHOLES:
 W1 = 1/4" X 1-1/2" WEEPHOLES WITH PLASTIC BAFFLE AT 8" FROM EACH END
 W2 = 3/8" WEEPHOLES AT 6" FROM EACH END AND AT MIDSPAN

Engr: JAVAD AHMAD
 CIVIL
 FLA. PE # 70592
 C.A.N. 3538
 08 2015

Approved as complying with the
 Florida Building Code
 Date 1/14/2014
 NOA# 15-0707-02
 Miami Dade Product Control
 By [Signature]

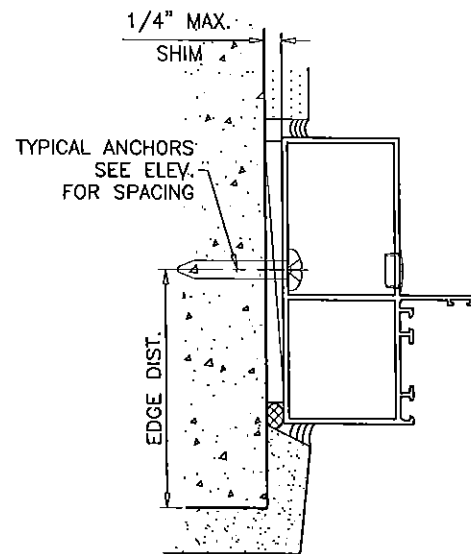
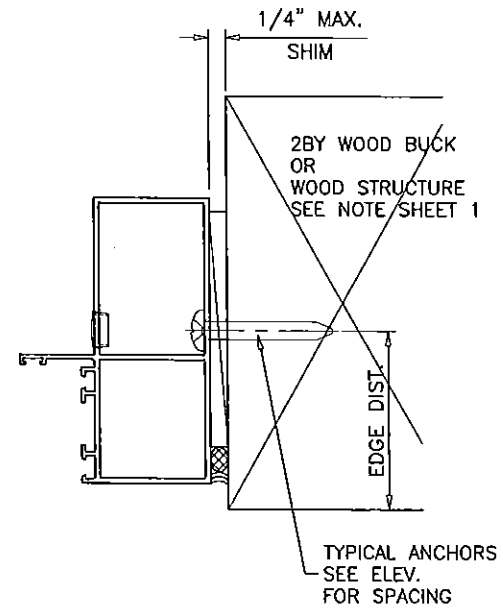
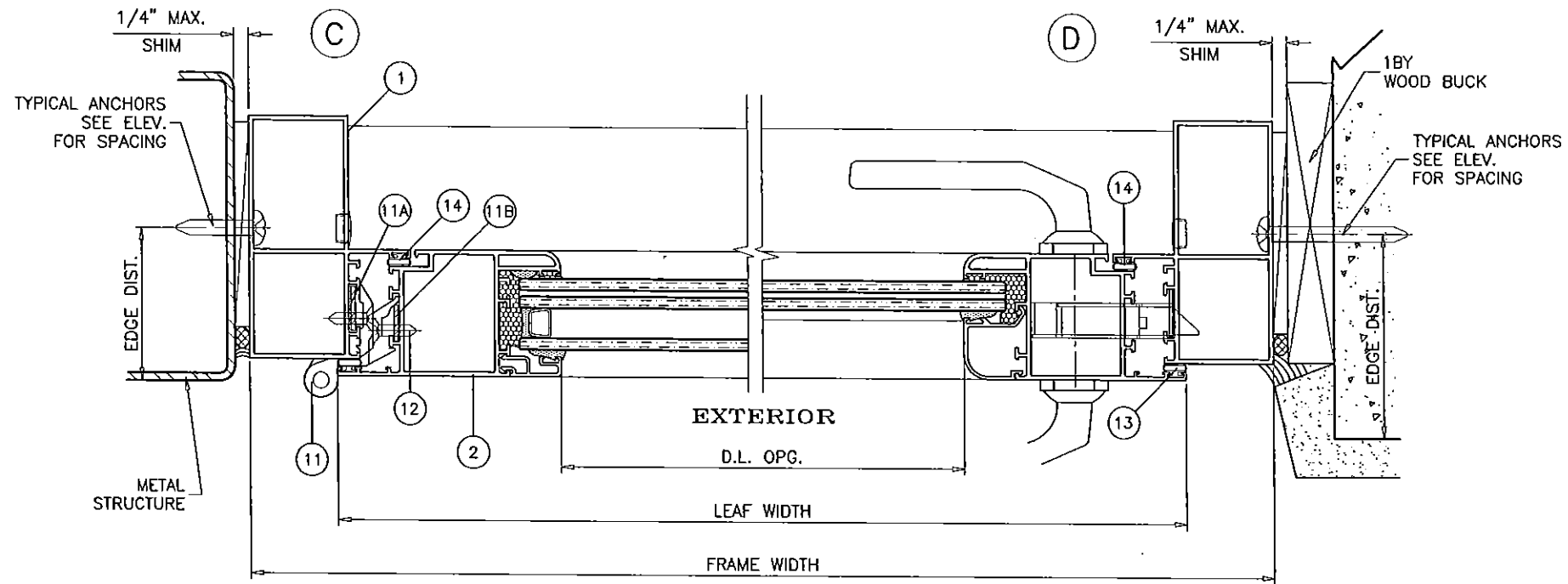
af c
AL-FAROOQ CORPORATION
 ENGINEERS & PRODUCT DEVELOPMENT
 1235 S.W. 87 AVE
 MIAMI, FLORIDA 33174
 TEL. (305) 264-8100 FAX. (305) 262-6978
 COMP-ANL\W15-26EII

ALUM SINGLE OUTSWING ENTRANCE DOOR (L.M.I.)
EUROTECH INDUSTRIES INC.
 4201 N.E. 12TH TERRACE
 FT. LAUDERDALE, FL. 33334
 TEL. (954) 630-9967 FAX. (954) 630-0217

revisions:	
no	date by description

date: 08-25-15
 scale: 3/8" = 1"
 dr. by: HAMID
 chk. by: [Signature]

drawing no.
W15-26
 sheet 2 of 4



Engr: JAVAD AHMAD
 CIVIL
 FLA. PE # 70592
 C.A.N. 3538

JAVAD AHMAD
 02/02/2015

Approved as complying with the
 Florida Building Code
 Date 1/14/2016
 NOA# 15-0797.02
 Miami Dade Product Control

By *[Signature]*

af c
AL-FAROOQ CORPORATION
 ENGINEERS & PRODUCT DEVELOPMENT
 1235 S.W. 87 AVE
 MIAMI, FLORIDA 33174
 TEL (305) 264-8100 FAX (305) 262-6978
 COMP-ANL W15-26EII

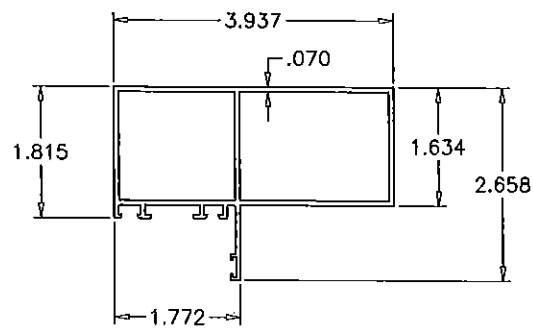
ALUM SINGLE OUTSWING ENTRANCE DOOR (L.M.I.)
EUROTECH INDUSTRIES INC.
 4201 N.E. 12TH TERRACE
 FT. LAUDERDALE, FL. 33334
 TEL. (954) 630-9967 FAX. (954) 630-0217

revisions:	
no	date by description

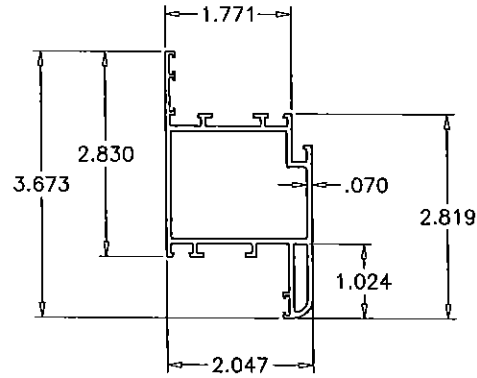
date: 06-25-15
 scale: 3/8" = 1"
 dr. by: HAMID
 chk. by:

drawing no.
W15-26

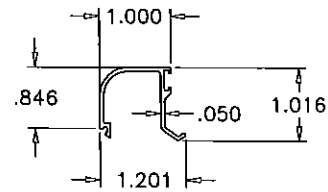
sheet 3 of 4



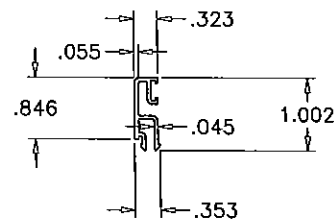
1 DOOR FRAME



2 DOOR LEAF



7 GLAZING BEAD (LAM. GLASS)



7A GLAZING BEAD (INSUL. LAM. GLASS)

SEALANTS:

ALL FRAME AND LEAF CORNERS AND JOINTS SEALED WITH ADSEL OR TEKNA 50729 SEALANTS.

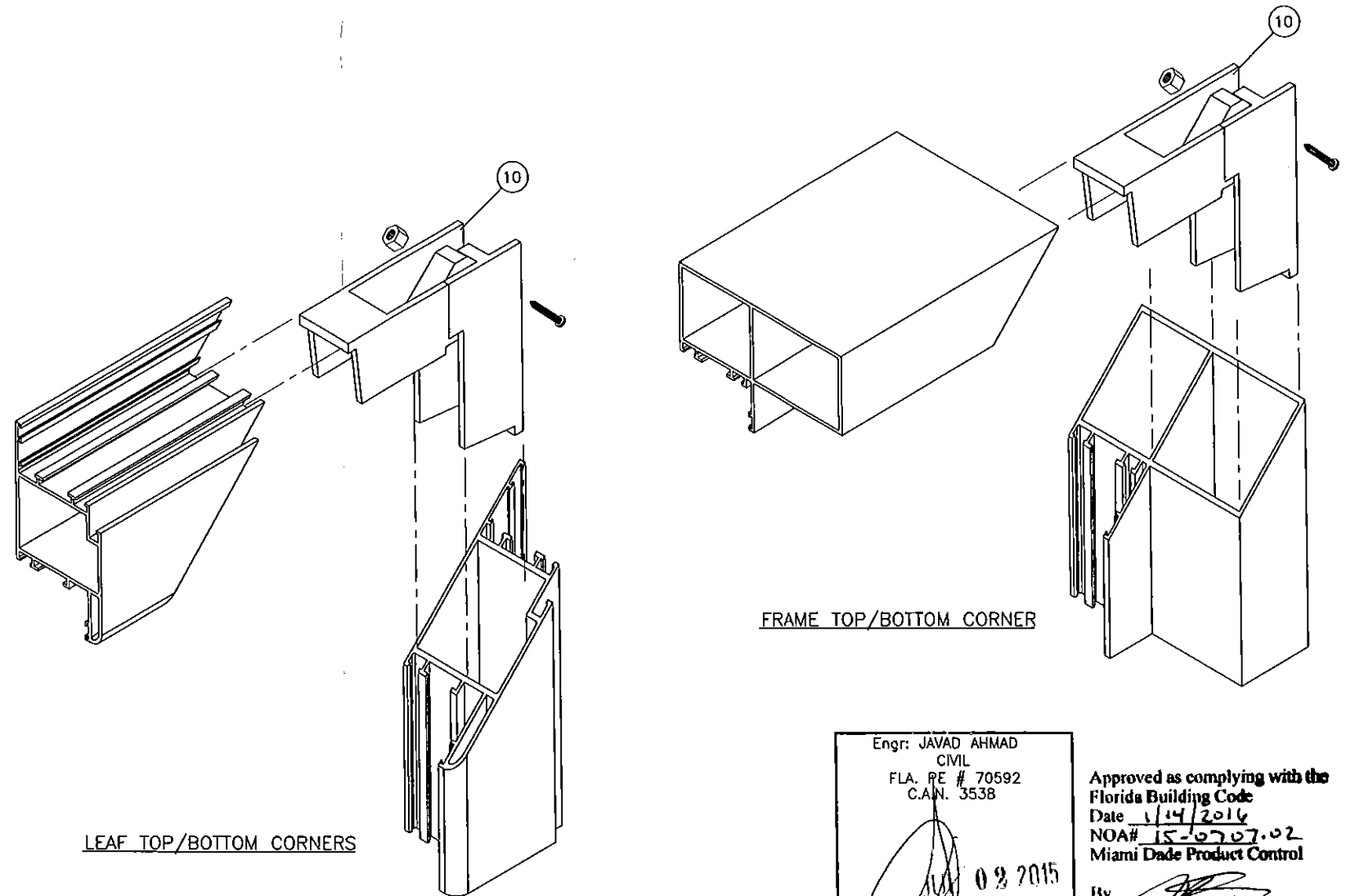
LOCKS:

SINGLE POINT MORTISE LOCK WITH SWING BOLT BY 'CISA' LOCATED AT 35-1/2" FROM BOTTOM FASTENED TO LOCK STILE WITH (2) #8 X 3/8" FH SMS ALUMINUM STRIKE PLATE BY 'CISA' FACING LOCK (1" WIDE X .295" THK. X 9" LONG) FASTENED TO FRAME JAMB WITH (2) #10 X 1" FH SMS

HINGES:

TWO HANDED COMB HINGE EXTRUDED ALUMINUM BRIDGE 2 BY 'GRIESE' 4 HINGES PER LEAF SEE ELEVATION FOR SPACING HINGES FASTENED WITH #10 X 3/8" FH SMS (2) SCREWS AT HINGE STILE (2) SCREWS AT FRAME JAMB

ITEM #	PART #	REQD.	DESCRIPTION	MATERIAL	MANF./SUPPLIER/REMARKS
1	ER006	AS REQD.	DOOR FRAME	6063-T6	-
2	ER012	AS REQD.	DOOR LEAF	6063-T6	-
6	-	AS REQD.	SETTING BLOCKS AT 1/4 POINTS	EPDM	DUROMETER 80±5 SHORE A
7	VZ-1535	4/ LEAF	GLAZING BEAD (LAM. GLASS)	6063-T6	-
7A	-	4/ LEAF	GLAZING BEAD (INSUL. LAM. GLASS)	6063-T6	-
8	2801	AS REQD.	GLAZING GASKET	EPDM	DUROMETER 75±5 SHORE A
9	-	AS REQD.	SILICONE SPACER	EPDM	-
10	1001/50	1/ CORNER	CORNER KEY	ALUMINUM	MONTICELLO
11	00600X	4/ LEAF	HINGES	ALUMINUM	GIESSE
11A	-	1/ HINGE	FIXING PLATE AT FRAME JAMB	STEEL	.537" X .071" X 3.665" LONG
11B	-	1/ HINGE	FIXING PLATE AT HINGE STILE	STEEL	.452" X .071" X 1.728" LONG
12	#10 X 3/8"	4/ HINGE	HINGE INSTALLATION SCREWS	-	PH MACHINE SCREWS
13	03030	AS REQD.	BULB W'STRIPPING AT LEAF	-	-
14	03017	AS REQD.	BULB W'STRIPPING AT FRAME	-	-
15	#12 X 1-1/4	-	FRAME ASSEMBLY SCREWS	-	SMS



FRAME TOP/BOTTOM CORNER

LEAF TOP/BOTTOM CORNERS

Engr: JAVAD AHMAD
CIVIL
FLA. PE # 70592
C.A.N. 3538

02 2015

Approved as complying with the
Florida Building Code
Date 1/14/2016
NOA# 15-0707.02
Miami Dade Product Control

By

af c
AL-FAROOQ CORPORATION
ENGINEERS & PRODUCT DEVELOPMENT
1235 S.W. 87 AVE
MIAMI, FLORIDA 33174
TEL. (305) 262-6978
FAX. (305) 262-6978
COMP-ANL\W15-26EII

ALUM SINGLE OUTSWING ENTRANCE DOOR (L.M.I.)
EUROTECH INDUSTRIES INC.
4201 N.E. 12TH TERRACE
FT. LAUDERDALE, FL. 33334
TEL. (954) 630-9967 FAX. (954) 630-0217

Revisions:

no	date	by	description

date: 06-25-15
scale: 3/8" = 1"
dr. by: HAMID
chk. by:

drawing no.
W15-26
sheet 4 of 4