



MIAMI-DADE COUNTY
 PRODUCT CONTROL SECTION
 11805 SW 26 Street, Room 208
 Miami, Florida 33175-2474
 T (786) 315-2590 F (786) 315-2599
www.miamidade.gov/economy

DEPARTMENT OF REGULATORY AND ECONOMIC RESOURCES (RER)
 BOARD AND CODE ADMINISTRATION DIVISION
NOTICE OF ACCEPTANCE (NOA)

Eurotech Industries, Inc.
4201 NE 12 Terrace
Fort Lauderdale, FL 33334

SCOPE:

This NOA is being issued under the applicable rules and regulations governing the use of construction materials. The documentation submitted has been reviewed and accepted by Miami-Dade County RER -Product Control Section to be used in Miami Dade County and other areas where allowed by the Authority Having Jurisdiction (AHJ).

This NOA shall not be valid after the expiration date stated below. The Miami-Dade County Product Control Section (In Miami Dade County) and/or the AHJ (in areas other than Miami Dade County) reserve the right to have this product or material tested for quality assurance purposes. If this product or material fails to perform in the accepted manner, the manufacturer will incur the expense of such testing and the AHJ may immediately revoke, modify, or suspend the use of such product or material within their jurisdiction. RER reserves the right to revoke this acceptance, if it is determined by Miami-Dade County Product Control Section that this product or material fails to meet the requirements of the applicable building code.

This product is approved as described herein, and has been designed to comply with the Florida Building Code, including the High Velocity Hurricane Zone.

DESCRIPTION: Aluminum Outswing Entrance Door-LMI

APPROVAL DOCUMENT: Drawing No. **W04-01 Rev D**, titled "Aluminum Outswing Entrance Door", sheets 1 through 5 of 5, dated 01/15/04 and last revised on 07/27/15, prepared by AL-Farooq Corporation, signed and sealed by Javad Ahmad, P.E., bearing the Miami-Dade County Product Control Revision stamp with the Notice of Acceptance number and expiration date by the Miami-Dade County Product Control Section.

MISSILE IMPACT RATING: Large and Small Missile Impact

Limitations:

1. See Design Pressure capacity Single doors VS glazing types and double doors Vs water ratings in sheet 2.
2. Single or double doors may be mulled with approved clipped mullion or sidelites or transom (under separate approvals), lower design rating shall apply and such installation to be reviewed & approved by AHJ.

LABELING: Each unit shall bear a permanent label with the manufacturer's name or logo, city, state and series and following statement: "Miami-Dade County Product Control Approved", noted herein.

RENEWAL of this NOA shall be considered after a renewal application has been filed and there has been no change in the applicable building code negatively affecting the performance of this product.

TERMINATION of this NOA will occur after the expiration date or if there has been a revision or change in the materials, use, and/or manufacture of the product or process. Misuse of this NOA as an endorsement of any product, for sales, advertising or any other purposes shall automatically terminate this NOA. Failure to comply with any section of this NOA shall be cause for termination and removal of NOA.

ADVERTISEMENT: The NOA number preceded by the words Miami-Dade County, Florida, and followed by the expiration date may be displayed in advertising literature. If any portion of the NOA is displayed, then it shall be done in its entirety.

INSPECTION: A copy of this entire NOA shall be provided to the user by the manufacturer or its distributors and shall be available for inspection at the job site at the request of the Building Official.

This NOA revises **NOA # 14-0303.09** and consists of this page 1 and evidence page E-1 & E-2, as well as approval document mentioned above.

The submitted documentation was reviewed by **Jorge M. Plasencia, P.E.**



JP
2/26/14

NOA No. 15-0729.14
 Expiration Date: June 10, 2019
 Approval Date: March 3, 2016
 Page 1

NOTICE OF ACCEPTANCE: EVIDENCE SUBMITTED

A. DRAWINGS

1. Manufacturer's die drawings and sections
(Submitted under NOA No. 09-0310.15)
2. Drawing No. **W04-01 Rev D**, titled "Aluminum Outswing Entrance Door", sheets 1 through 5 of 5, dated 01/15/04 and last revised on 07/27/15, prepared by AL-Farooq Corporation, signed and sealed by Javad Ahmad, P.E.

B. TESTS

1. Test reports on
 - 1) Air Infiltration Test, per FBC, TAS 202-94
 - 2) Uniform Static Air Pressure Test, Loading per FBC, TAS 202-94
 - 3) Water Resistance Test per FBC, TAS 202-94
 - 4) Forced Entry Test, per FBC 2411 3.2.1 and TAS 202-94
 - 5) Large Missile Impact Test per FBC, TAS 201-94
 - 6) Cyclic Wind Pressure Loading per FBC, TAS 203-94along with installation diagram of aluminum outswing door, prepared by Hurricane Engineering Testing Inc., Test Report No(s). **HETI- 08-2021, 08-2022, 08-2023** and **08-2024**, all dated 03/15/08, signed and sealed by Candido Font, P.E.
(Submitted under NOA No. 09-0310.15)

2. Test reports on
 - 1) Air Infiltration Test, per FBC, TAS 202-94
 - 2) Uniform Static Air Pressure Test, Loading per FBC, TAS 202-94
 - 3) Water Resistance Test per FBC, TAS 202-94
 - 4) Forced Entry Test, per FBC 2411 3.2.1 and TAS 202-94
 - 5) Large Missile Impact Test per FBC, TAS 201-94
 - 6) Cyclic Wind Pressure Loading per FBC, TAS 203-94along with installation diagram of aluminum outswing door, prepared by Hurricane Engineering Testing Inc., Test Report No(s). **HETI- 03-1882, 08-1889, 08-18890** and **08-2024**, dated 01/15/04 thru 02/09/2004, all signed and sealed by Rafael E. Droz-Seda, P.E.
(Submitted under NOA No. 08-0507.10)

3. Tensile Test prepared by Hurricane Engineering & Testing, Test No. HETI-04-T100, dtd 01/29/04, tested per ASTM E8-01, signed & sealed by Rafael E. Droz-Seda, P.E.

C. CALCULATIONS


1. Anchor Calculations and structural analysis, dated 07/23/15, prepared by Al-Farooq Corp., signed and sealed by Javad Ahmad, P.E.
2. Glazing complies w/ ASTME-1300-09.

D. QUALITY ASSURANCE

1. Miami Dade Department of Regulatory and Economic Resources (RER)

E. MATERIAL CERTIFICATIONS

1. Notice of Acceptance No. **14-0916.11** issued to Kuraray America., Inc. for their "**Sentry Glas ® (Clear and White) Glass Interlayer**", expiring on 07/04/18.
2. Notice of Acceptance No. **14-0916.10** issued to Kuraray America., Inc. for their "**Butacite PVB Interlayer**", expiring on 12/11/16.



Jorge M. Plasencia, P.E.
Product Control Unit Supervisor
NOA No. 15-0729.14
Expiration Date: June 10, 2019
Approval Date: March 3, 2016

Eurotech Industries, Inc.


NOTICE OF ACCEPTANCE: EVIDENCE SUBMITTED

F. STATEMENTS

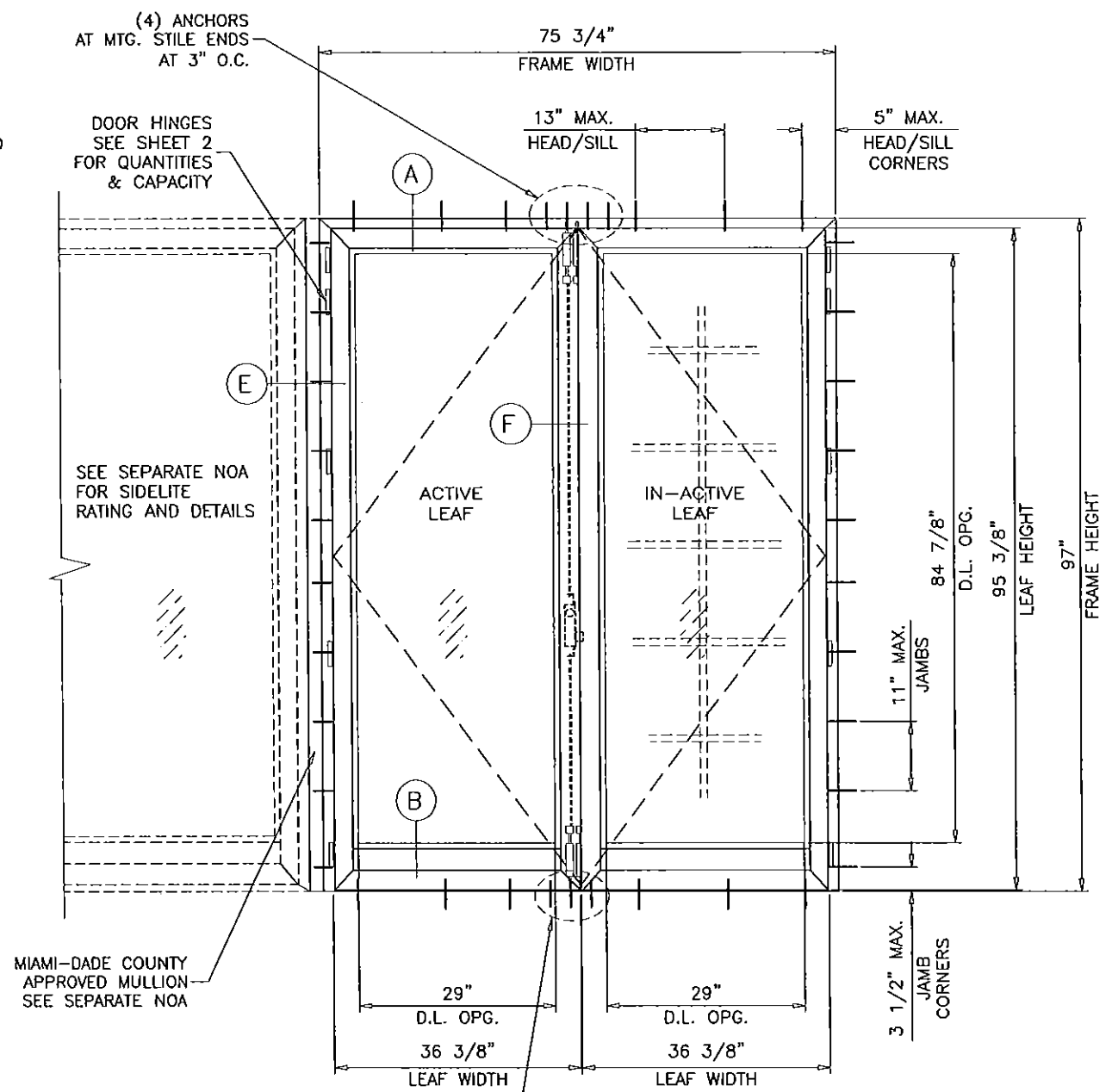
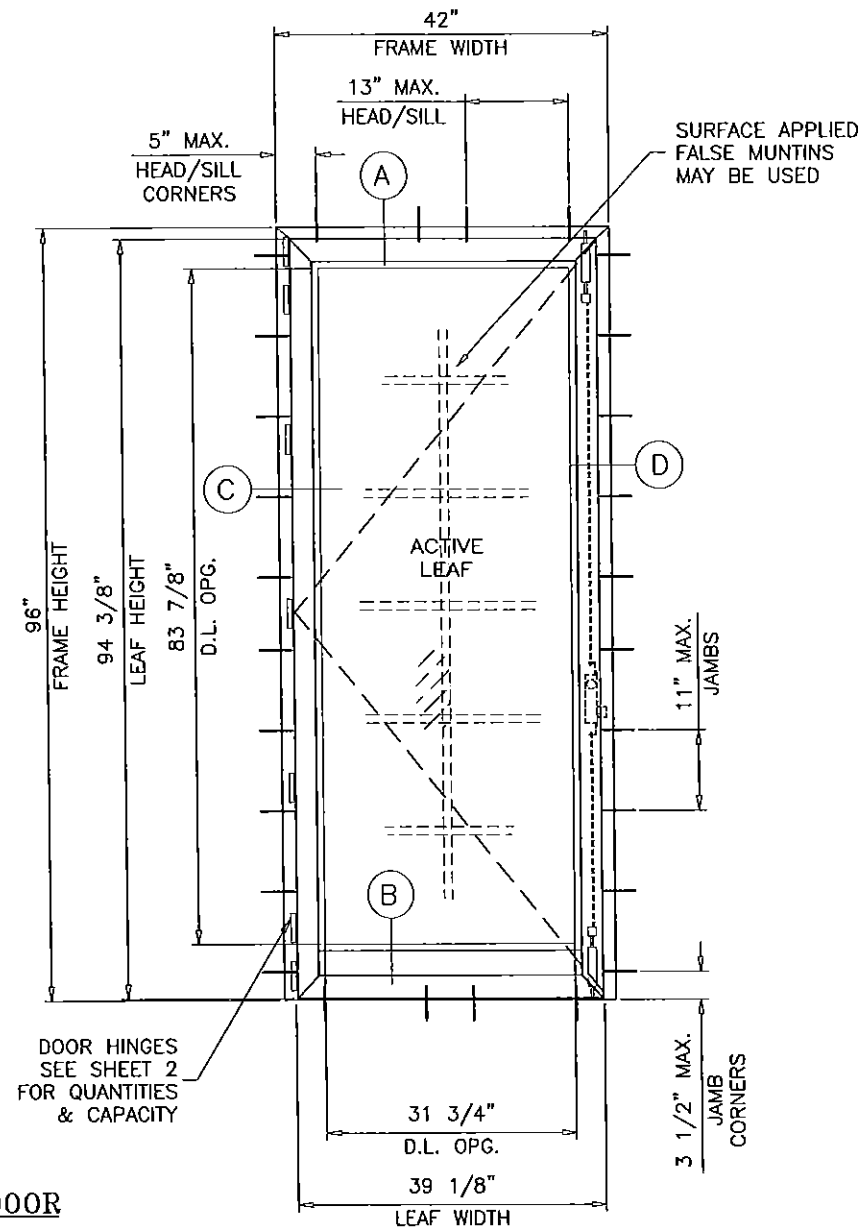
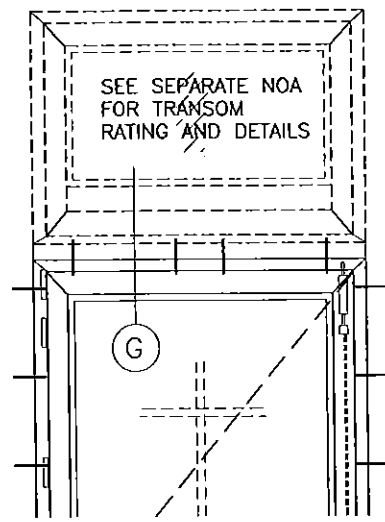
1. Statement letter of conformance to FBC 2014 & no financial interests, prepared by Al Farooq Corporation, dated 07/23/15, signed and sealed by Javad Ahmad, P.E.
2. Lab compliance as part of the above referenced test report.

G. OTHER

1. Notice of Acceptance No. **14-0303.09**, issued to Eurotech Industries, Inc., for their Aluminum Outswing Entrance Door - LMI", approved on 05/1/14 and expiring on 06/10/19.
2. Test proposal # **07-3527** approved by BCCO.
(Submitted under NOA No. 09-0310.15)



Jorge M. Plasencia, P.E.
Product Control Unit Supervisor
NOA No. 15-0729.14
Expiration Date: June 10, 2019
Approval Date: March 3, 2016



TYPICAL ELEVATIONS

ALUMINUM OUTSWING ENTRANCE DOOR

APPROVAL APPLIES TO SINGLE (X) AND DOUBLE (XX) LEAF DOORS. ALSO SINGLE AND DOUBLE DOORS IN COMBINATION WITH SIDELITES USING MIAMI-DADE COUNTY APPROVED MULLIONS IN BETWEEN. ALSO SINGLE AND DOUBLE DOORS WITH OR WITHOUT SIDELITES IN COMBINATION WITH TRANSOMS USING MIAMI-DADE COUNTY APPROVED MULLION IN BETWEEN. LOWER DESIGN PRESSURES FROM DOOR, SIDELITE OR MULLION APPROVAL WILL APPLY TO ENTIRE SYSTEM.

THIS PRODUCT HAS BEEN DESIGNED AND TESTED TO COMPLY WITH THE REQUIREMENTS OF THE FLORIDA BUILDING CODE INCLUDING HIGH VELOCITY HURRICANE ZONE (HVHZ).

1BY OR 2BY WOOD BUCKS BY OTHERS, MUST BE ANCHORED PROPERLY TO TRANSFER LOADS TO THE STRUCTURE.

ANCHORS SHALL BE AS LISTED, SPACED AS SHOWN ON DETAILS, ANCHORS EMBEDMENT TO BASE MATERIAL SHALL BE BEYOND WALL DRESSING OR STUCCO.

ANCHORING OR LOADING CONDITIONS NOT SHOWN IN THESE DETAILS ARE NOT PART OF THIS APPROVAL.

A LOAD DURATION INCREASE IS USED IN DESIGN OF ANCHORS INTO WOOD ONLY.

ALL SHIMS TO BE HIGH IMPACT, NON-METALLIC AND NON-COMPRESSIBLE.

MATERIALS INCLUDING BUT NOT LIMITED TO STEEL/METAL SCREWS, THAT COME INTO CONTACT WITH OTHER DISSIMILAR MATERIALS SHALL MEET THE REQUIREMENTS OF THE FLORIDA BUILDING CODE.

THESE DOORS ARE RATED FOR LARGE & SMALL MISSILE IMPACT. SHUTTERS ARE NOT REQUIRED.

Engr: JAVAD AHMAD
CML
FLA. PE # 70592
C.A.N. 3538
[Signature]
JUL 8 2015

PRODUCT REVISED
as complying with the Florida
Building Code
Acceptance No. 15-0729.14
Expiration Date June 10, 2019
By *[Signature]*
Miami-Dade Product Control

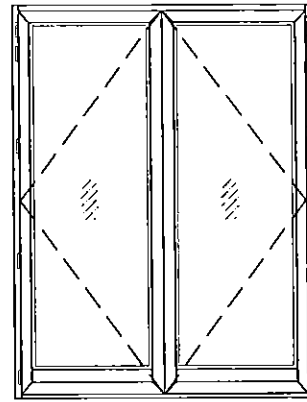
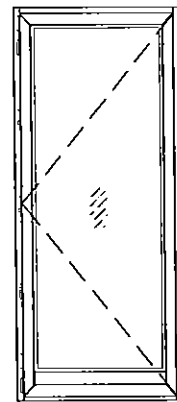
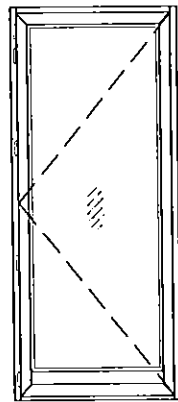
af c
AL-FAROOQ CORPORATION
ENGINEERS & PRODUCT DEVELOPMENT
1235 S.W. 87 AVE
MIAMI, FLORIDA 33174
TEL. (305) 264-8100 FAX. (305) 262-6978
COMP-ANL\W04-01EWD

ALUM OUTSWING ENTRANCE DOOR (L.M.I.)
EUROTECH INDUSTRIES INC.
4201 N.E. 12TH TERRACE
FT. LAUDERDALE, FL. 33334
TEL. (954) 630-9967 FAX. (954) 630-0217

revisions:	no	date	description	by
	A	04.28.06	UPDATED FOR 2004 FBC	
	B	04.11.08	GENERAL REVISION	
	C	01.26.12	UPDATED TO 2010 FBC	
	D	07.27.15	UPDATED TO 2014 FBC	

date: 01-15-04
scale: 1/2" = 1'-0"
dr. by: HAMID
chk. by:

drawing no.
W04-01
sheet 1 of 5



ITEM #	PART #	REQD.	DESCRIPTION	MATERIAL	MANF./SUPPLIER/REMARKS
1	ER006	AS REQD.	DOOR FRAME	6063-T6	--
2	ER012	AS REQD.	DOOR LEAF	6063-T6	--
3	VZ1566	1/ LEAF	DOOR BASE BOARD	6063-T6	--
4	VZ-1483	1/ DOOR	FRAME SILL	6063-T6	--
5	-	1/ DOOR	SILL BASE	6063-T6	--
6	VZ-1481	AS REQD.	ASTRAGAL STILE	6063-T6	--
7	VZ-1535	4/ LEAF	GLAZING BEAD	6063-T6	--
8	2801	AS REQD.	GLAZING GASKET	EPDM	DUROMETER 75±5 SHORE A
9	-	1	SHEAR CLIP	6063-T6	--
10	1001/50	1/ CORNER	CORNER KEY	ALUMINUM	MONTICELLO
11	00600X	4/ LEAF	HINGES	ALUMINUM	GIESSE
12	#10 X 3/8"	4/ HINGE	HINGE INSTALLATION SCREWS	-	PH MACHINE SCREWS
13	-	AS REQD.	BULB W'STRIPPING	-	-
14	#10 x 2"	AS REQD.	ASSEMBLY SCREWS	-	HH SELF DRILLING
15	#12 X 1-1/4"	-	FRAME ASSEMBLY SCREWS	-	SMS

af c
AL-FAROOQ CORPORATION
 ENGINEERS & PRODUCT DEVELOPMENT
 1235 S.W. 87 AVE
 MIAMI, FLORIDA 33174
 TEL. (305) 264-8100 FAX. (305) 262-6978
 COMP-ANL\W04-01EWD

DESIGN LOAD CAPACITY - PSF SINGLE (X) DOORS			
DOOR SIZE		GLASS TYPE 'A'	
WIDTH	HEIGHT	EXT. (+)	INT. (-)
2/6	6/8	75.0	85.0
3/0		75.0	85.0
3/6		75.0	85.0
2/6	7/0	75.0	85.0
3/0		75.0	85.0
3/6		75.0	85.0
2/6	8/0	75.0	85.0
3/0		75.0	85.0
3/6		75.0	85.0

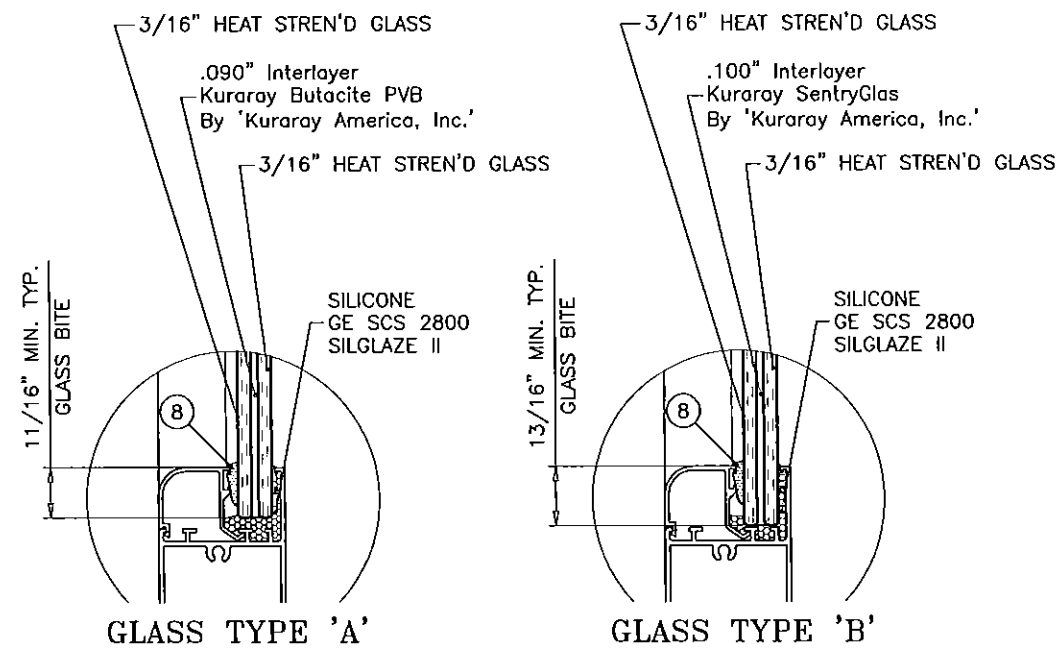
DOORS APPROVED FOR INSTALLATIONS WHERE WATER INFILTRATION RESISTANCE IS REQUIRED.

DESIGN LOAD CAPACITY - PSF SINGLE (X) DOORS			
DOOR SIZE		GLASS TYPE 'B'	
WIDTH	HEIGHT	EXT. (+)	INT. (-)
2/6	6/8	100.0	140.0
3/0		100.0	140.0
3/3		100.0	140.0
2/6	7/0	100.0	140.0
3/0		100.0	140.0
3/3		100.0	140.0
2/6	8/0	100.0	140.0
3/0		100.0	140.0
3/3		100.0	140.0

DOORS APPROVED FOR INSTALLATIONS WHERE WATER INFILTRATION RESISTANCE IS REQUIRED.

DESIGN LOAD CAPACITY - PSF DOUBLE (XX) DOORS			
DOOR SIZE		GLASS TYPE 'A' OR 'B'	
WIDTH	HEIGHT	EXT. (+)	INT. (-)
5/0	6/8	75.0	75.0
6/4		75.0	75.0
5/0	7/0	75.0	75.0
6/4		75.0	75.0
5/0	8/1	75.0	75.0
6/4		75.0	75.0

LOADS SHOWN ABOVE ARE FOR INSTALLATIONS WHERE WATER INFILTRATION RESISTANCE IS NOT REQUIRED.
 LIMIT EXTERIOR(+) LOADS TO 48 PSF FOR INSTALLATIONS WHERE WATER INFILTRATION RESISTANCE IS REQUIRED.



GLAZING OPTIONS

NOTE:
 GLASS CAPACITIES ON THIS SHEET ARE
 BASED ON ASTM E1300-09 (3 SEC. GUSTS)
 AND FLORIDA BUILDING COMMISSION
 DECLARATORY STATEMENT DCA05-DEC-219

LOCKS SINGLE DOORS:

3 POINT LOCK SYSTEM AT ACTIVE LOCK STILE 36" FROM BOTTOM, KEY OPERATED ON EXTERIOR AND THUMB TURN ON INTERIOR.

STRIKE PLATE
 1-1/4" X 1/4" X 16-1/4" LONG
 ATTACHED WITH (2) #8 X 3/4" SMS

HINGES SINGLE DOORS:

TWO-HANDED COMB HING
 EXTRUDED ALUMINUM BRIDGE 2
 BY 'GIESSE'
 (5) PER LEAF
 AT 6", 12", 35", 63-1/2" AND
 92-1/2" FROM TOP OF DOOR

LOCKS SINGLE DOORS:

MANUALLY OPERATED CONCEALED FLUSH BOLTS AT TOP AND BOTTOM OF ACTIVE LEAF PART #02181 ATTACHED WITH (4) #10 X 1-1/2" SMS.

3 POINT LOCK SYSTEM AT ACTIVE LOCK STILE 36" FROM BOTTOM, KEY OPERATED ON EXTERIOR AND THUMB TURN ON INTERIOR.

STRIKE PLATE
 1-1/4" X 1/4" X 16-1/4" LONG
 ATTACHED WITH (2) #8 X 3/4" SMS

HINGES SINGLE DOORS:

TWO-HANDED COMB HING
 EXTRUDED ALUMINUM BRIDGE 2
 BY 'GIESSE'
 (7) PER LEAF AT 7/0 AND 8/0 DOORS
 AT 3", 9" AND 26-3/8" FROM
 TOP AND BOTTOM, ONE AT MIDSPAN
 (6) PER LEAF AT 6/8 DOORS
 AT 3", 9" AND 26-3/8" FROM
 TOP AND BOTTOM

LOCKS DOUBLE DOORS:

ACTIVE LEAF:
 MANUALLY OPERATED CONCEALED FLUSH BOLTS AT TOP AND BOTTOM OF ACTIVE LEAF PART #02181 ATTACHED WITH (4) #8 X 1-1/2" SMS.

3 POINT LOCK SYSTEM AT ACTIVE LOCK STILE 36" FROM BOTTOM, KEY OPERATED ON EXTERIOR AND THUMB TURN ON INTERIOR.

INACTIVE LEAF

MANUALLY OPERATED CONCEALED FLUSH BOLTS AT TOP AND BOTTOM OF INACTIVE LEAF PART #02181 ATTACHED WITH (4) #8 X 1-1/2" SMS.

HINGES DOUBLE DOORS:

TWO-HANDED COMB HING
 EXTRUDED ALUMINUM BRIDGE 2
 BY 'GIESSE'
 (5) PER LEAF
 AT 6", 12", 35", 63-1/2" AND
 92-1/2" FROM TOP OF DOOR

NOTE: TOP AND BOTTOM FLUSH BOLTS MUST BE ENGAGED DURING PERIODS OF HURRICANE WARNING.

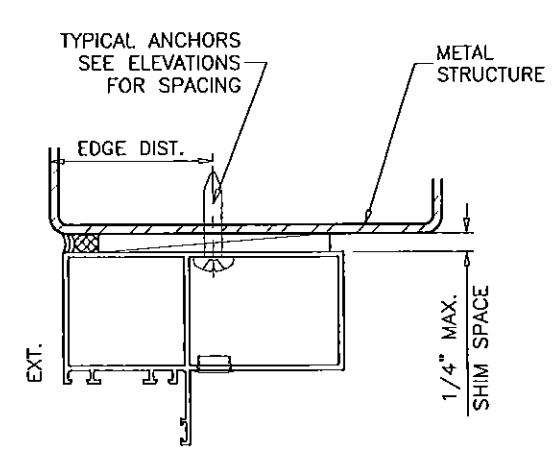
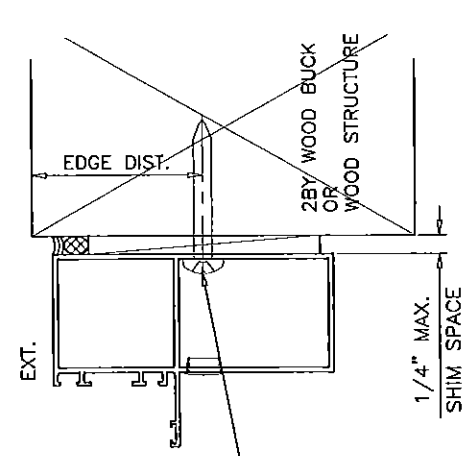
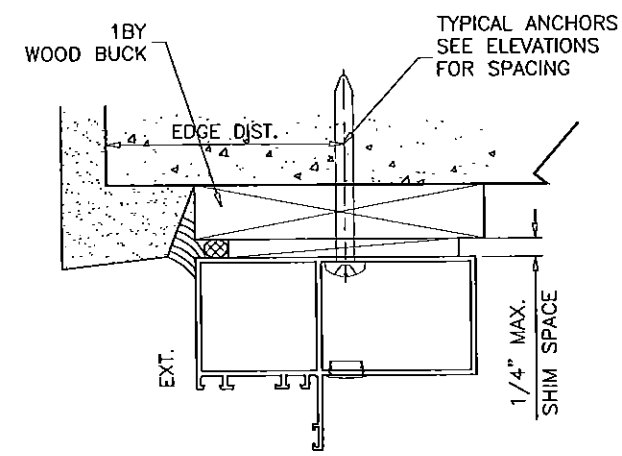
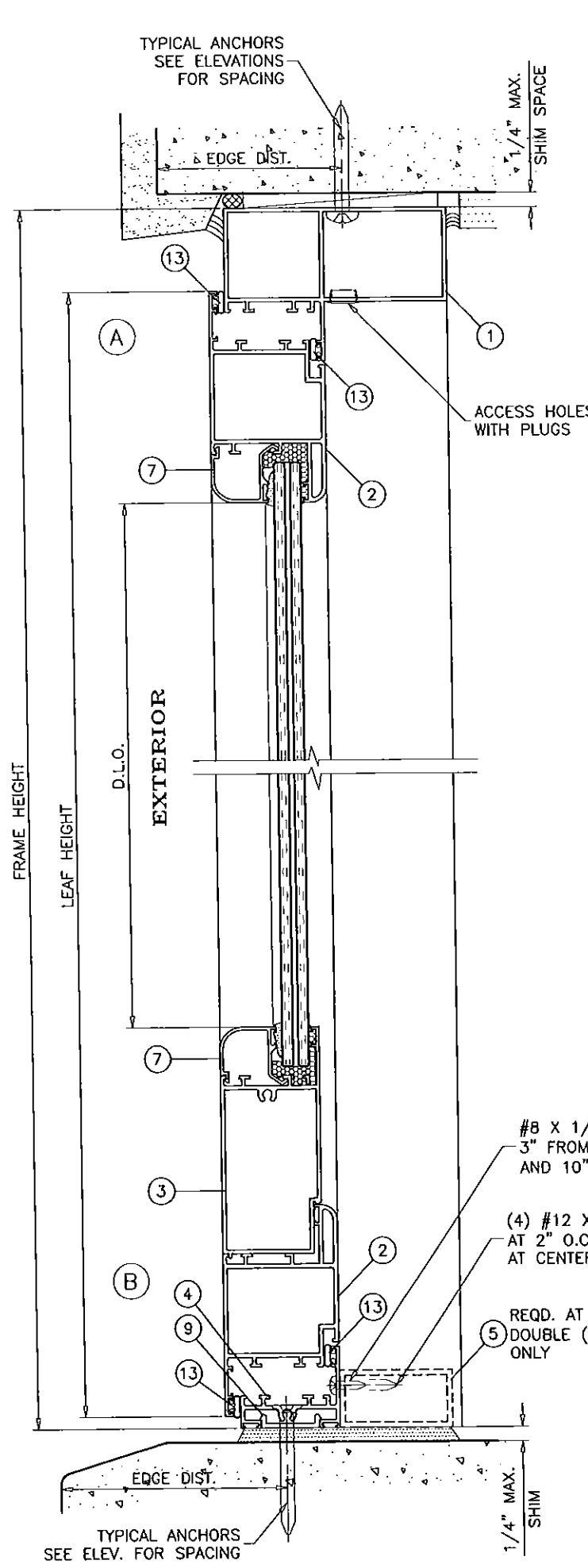
Engr: JAVAD AHMAD
 CIVIL
 FLA. PE # 70592
 C.A.N. 3538
 JUL 28 2015

PRODUCT REVISED
 as complying with the Florida
 Building Code
 Acceptance No. 15-0729.14
 Expiration Date 6/12/2019

ALUM OUTSWING ENTRANCE DOOR (L.M.I.)
EUROTECH INDUSTRIES INC.
 4201 N.E. 12TH TERRACE
 FT. LAUDERDALE, FL. 33334
 TEL. (954) 630-9967 FAX. (954) 630-0217

NO	DATE	BY	DESCRIPTION
A	04.28.06		UPDATED FOR 2004 FBC
B	04.11.08		GENERAL REVISION
C	01.26.12		UPDATED TO 2010 FBC
D	07.27.15		UPDATED TO 2014 FBC

date: 01-15-04
 scale: 3/8" = 1"
 dr. by: HAMID
 chk. by:
 drawing no. W04-01
 sheet 2 of 5



WOOD BUCKS AND METAL STRUCTURE NOT BY EUROTECH MUST SUSTAIN LOADS IMPOSED BY GLAZING SYSTEM AND TRANSFER THEM TO THE BUILDING STRUCTURE.

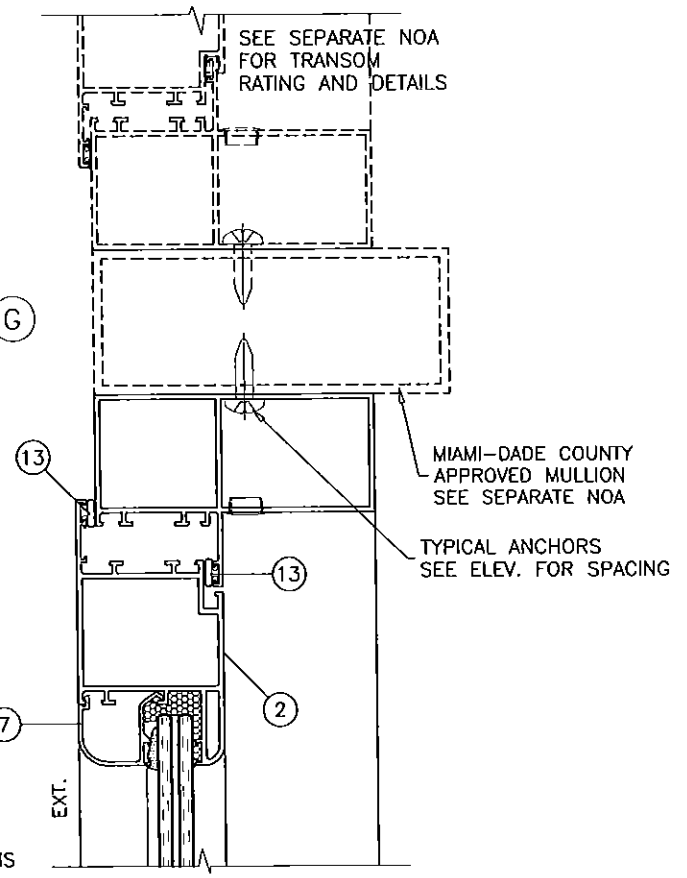
TYPICAL ANCHORS: SEE ELEV. FOR SPACING
1/4" DIA. ULTRACON BY 'ELCO' (Fu=177 KSI, Fy=155 KSI)
 INTO 2BY WOOD BUCKS OR WOOD STRUCTURES
 1-1/2" MIN. PENETRATION INTO WOOD (HEAD/JAMBS)
 THRU 1BY BUCKS INTO CONC. OR MASONRY
 1-1/4" MIN. EMBED INTO CONCRETE (HEAD)
 1-1/4" MIN. EMBED INTO CONC. OR MASONRY (JAMBS)
 DIRECTLY INTO CONC. OR MASONRY
 1-1/4" MIN. EMBED INTO CONCRETE (HEAD/SILL)
 1-1/4" MIN. EMBED INTO CONC. OR MASONRY (JAMBS)

#14 SMS OR SELF DRILLING SCREWS (GRADE 2 CRS)
 INTO MIAMI-DADE COUNTY APPROVED MULLIONS (MIN. THK. = 1/8")
 INTO METAL STRUCTURES
 STEEL : 1/8" THK. MIN. (Fy = 36 KSI MIN.)
 ALUMINUM : 1/8" THK. MIN. (6063-T5 MIN.)
 (STEEL IN CONTACT WITH ALUMINUM TO BE PLATED OR PAINTED)

TYPICAL EDGE DISTANCE
 INTO CONCRETE AND MASONRY = 2-1/2" MIN.
 INTO WOOD STRUCTURE = 1" MIN.
 INTO METAL STRUCTURE = 3/4" MIN.

WOOD AT HEAD OR JAMBS SG = 0.55 MIN.
 CONCRETE AT HEAD, SILL OR JAMBS f'c = 3000 PSI MIN.
 C-90 HOLLOW/FILLED BLOCK AT JAMBS f'm = 2000 PSI MIN.

SEALANTS:
 ALL FRAME AND LEAF CORNERS AND JOINTS SEALED WITH
 ADSEL OR TEKNA 50729 SEALANTS.



#8 X 1/2" SMS
 3" FROM ENDS
 AND 10" O.C. MAX.
 (4) #12 X 1" SMS
 AT 2" O.C. MAX.
 AT CENTER OF SILL
 REQD. AT
 DOUBLE (XX) DOORS
 ONLY

Engr: JAVAD AHMAD
 CIVIL
 FLA. PE # 70592
 C.A.N. 3538
 JUL 28 2015

PRODUCT REVISED
 as complying with the Florida
 Building Code
 Acceptance No. 15-0729.14
 Expiration Date 6/10/2019
 dr. by: HAMID
 chk. by:

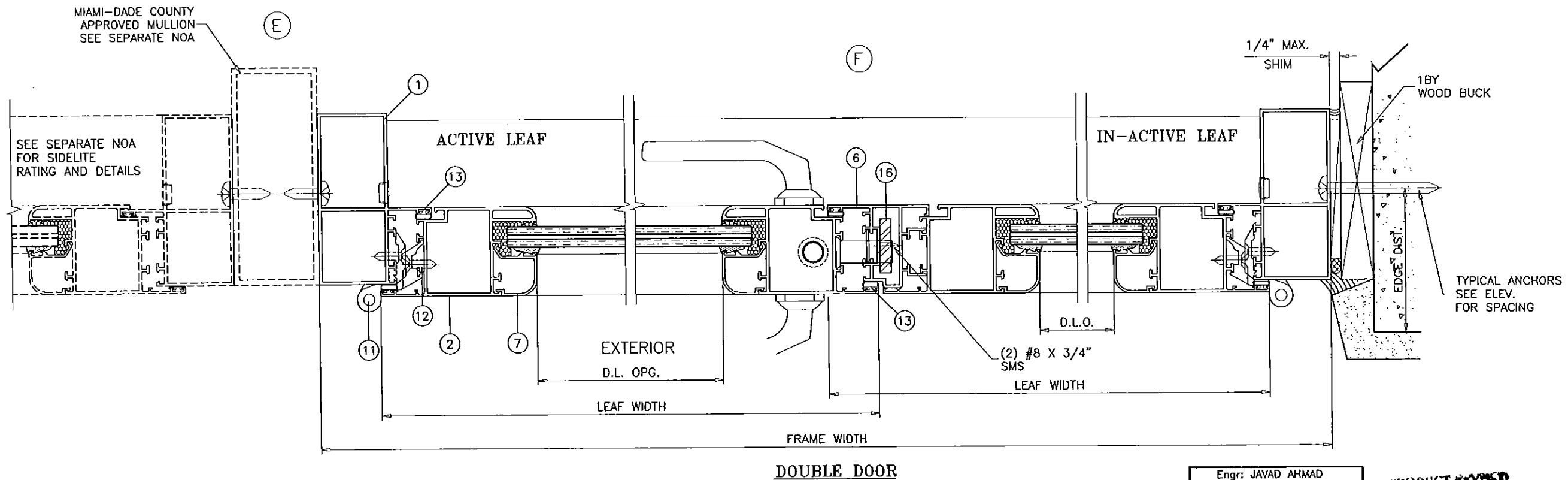
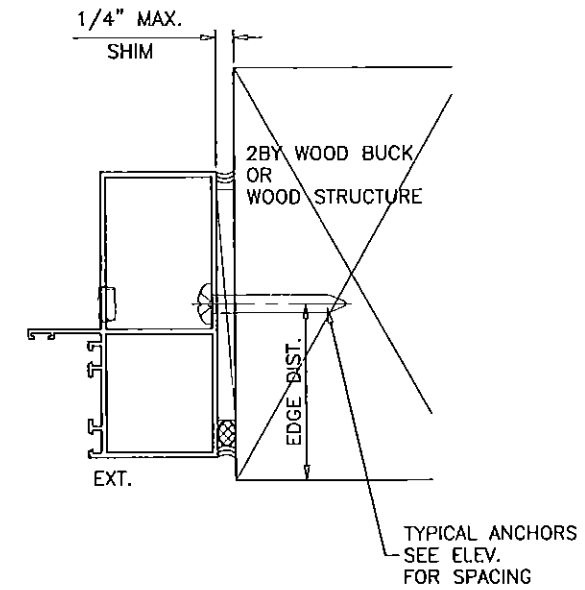
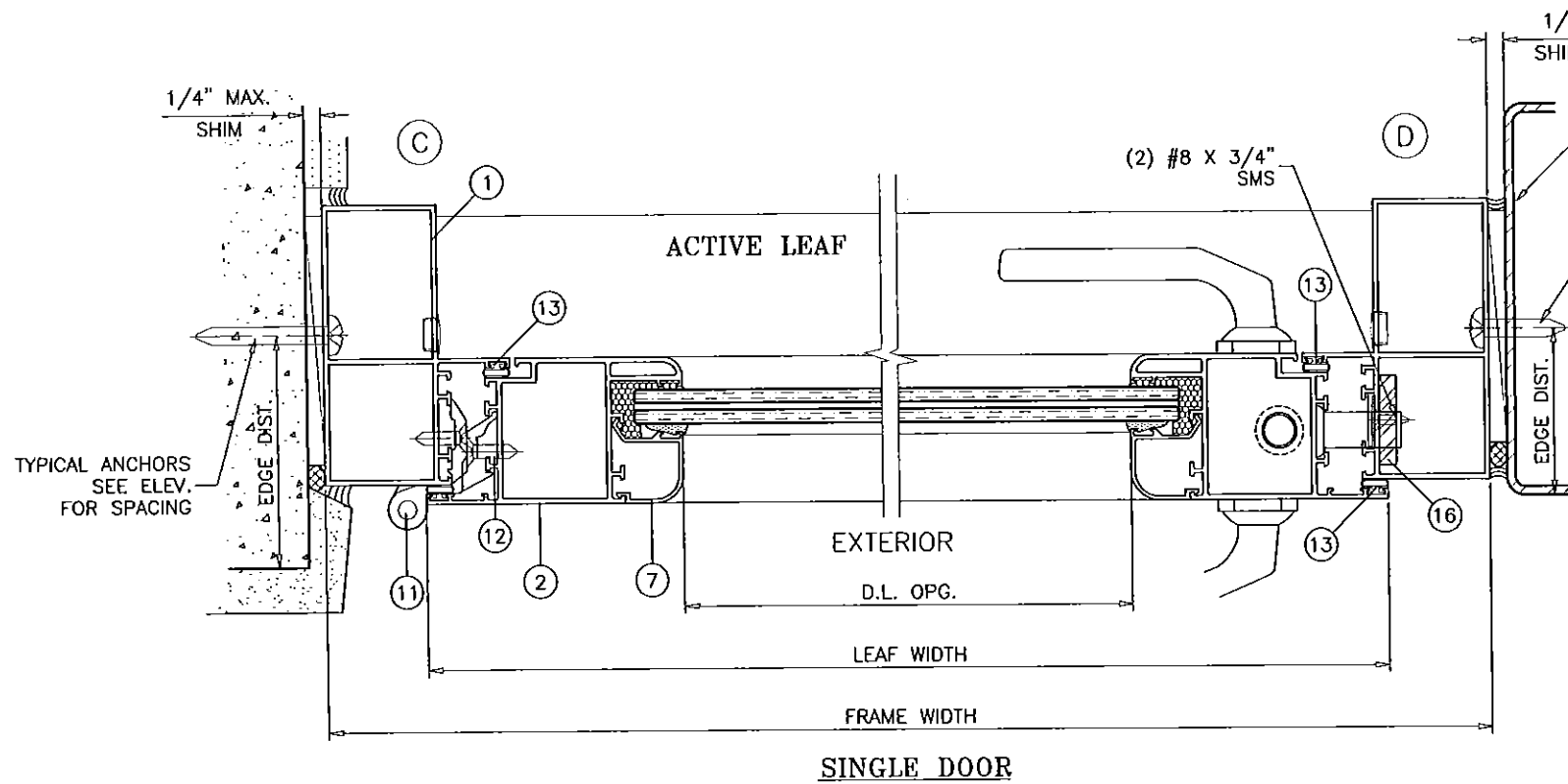
af c
AL-FAROOQ CORPORATION
 ENGINEERS & PRODUCT DEVELOPMENT
 1235 S.W. 87 AVE
 MIAMI, FLORIDA 33174
 TEL. (305) 264-8100 FAX. (305) 262-6978
 COMP-ANL\W04-01EWD

ALUM OUTSWING ENTRANCE DOOR (L.M.I.)
EUROTECH INDUSTRIES INC.
 4201 N.E. 12TH TERRACE
 FT. LAUDERDALE, FL. 33334
 TEL. (954) 630-9967 FAX. (954) 630-0217

NO	DATE	DESCRIPTION	BY
A	04.28.06	UPDATED FOR 2004 FBC	
B	04.11.08	GENERAL REVISION	
C	01.26.12	UPDATED TO 2010 FBC	
D	07.27.15	UPDATED TO 2014 FBC	

date: 01-15-04	scale: 3/8" = 1"
dr. by: HAMID	chk. by:

drawing no. W04-01
sheet 3 of 5



DOUBLE DOOR

Engr: JAVAD AHMAD
 CIVIL
 FLA. PE # 70592
 C.A.N. 3538

JUN 28 2015

PRODUCT REVISED
 as complying with the Florida
 Building Code
 Acceptance No. 15-072914
 Expiration Date 11/01/2017
 by: *[Signature]*
 Miami Dade Product Control

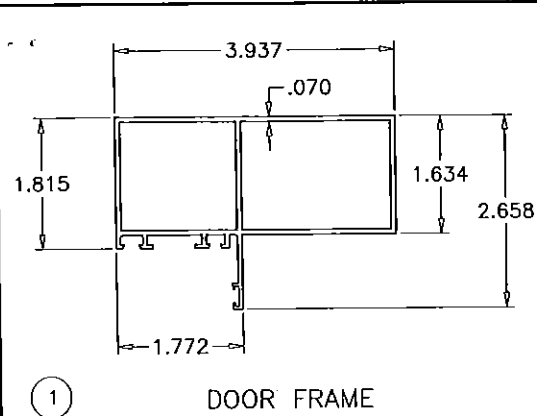
af c
AL-FAROOQ CORPORATION
 ENGINEERS & PRODUCT DEVELOPMENT
 1235 S.W. 87 AVE
 MIAMI, FLORIDA 33174
 TEL. (305) 264-8100 FAX. (305) 262-6978
 COMP-ANL\W04-01EWD

ALUM OUTSWING ENTRANCE DOOR (L.M.I.)
EUROTECH INDUSTRIES INC.
 4201 N.E. 12TH TERRACE
 FT. LAUDERDALE, FL. 33334
 TEL. (954) 630-9967 FAX. (954) 630-0217

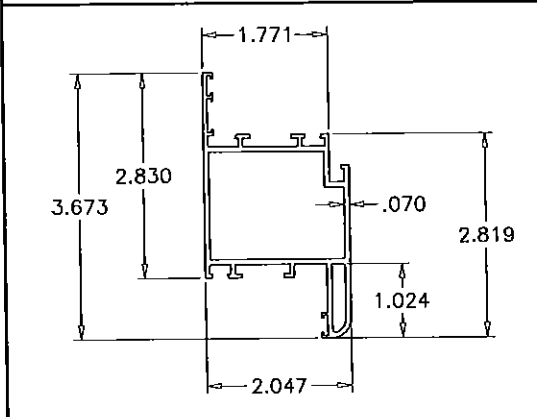
NO	DATE	DESCRIPTION
A	04.28.06	UPDATED FOR 2004 FBC
B	04.11.08	GENERAL REVISION
C	01.26.12	UPDATED TO 2010 FBC
D	07.27.15	UPDATED TO 2014 FBC

date: 01-15-04
 scale: 3/8" = 1"
 dr. by: HAMID
 chk. by:

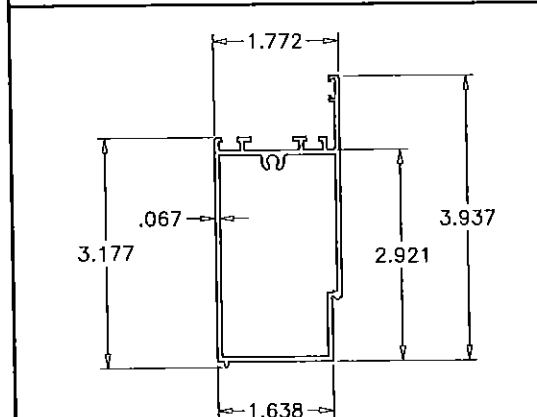
drawing no.
W04-01
 sheet 4 of 5



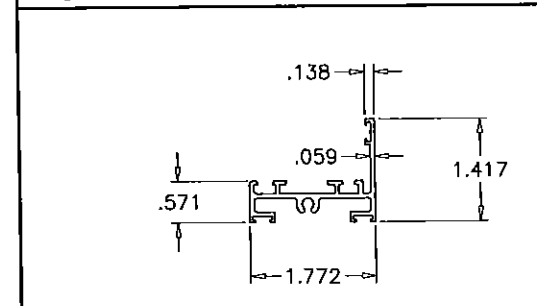
1 DOOR FRAME



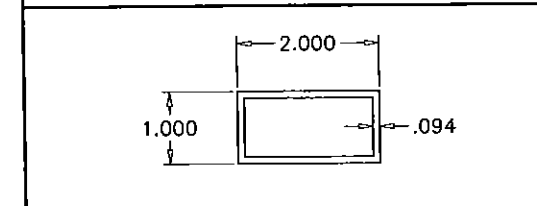
2 DOOR LEAF



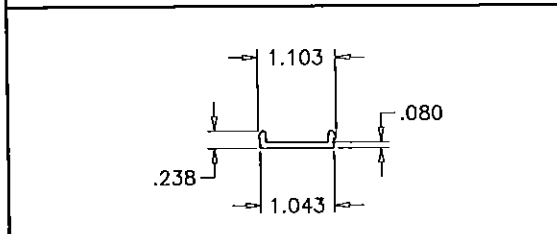
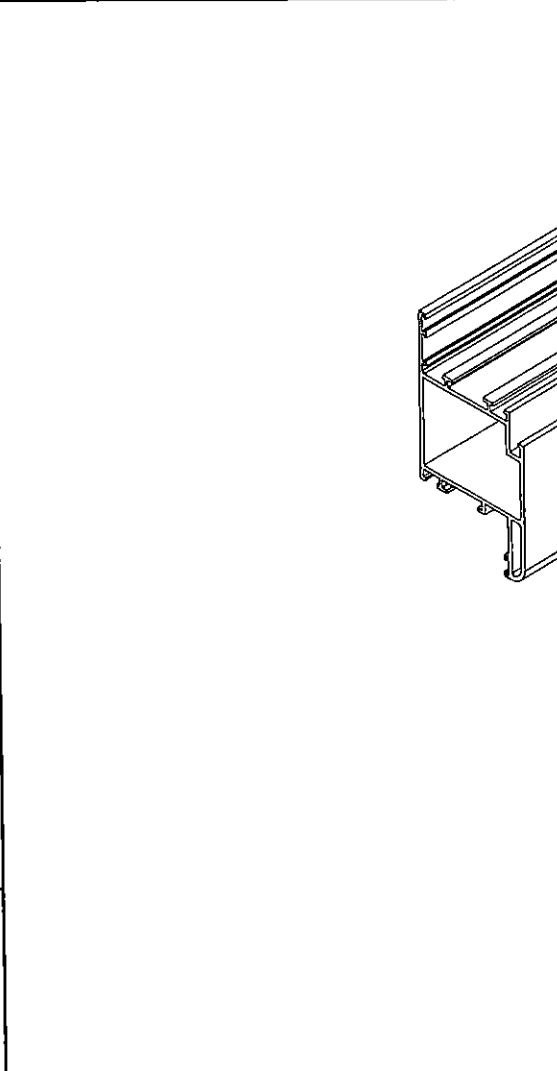
3 DOOR BASE BOARD



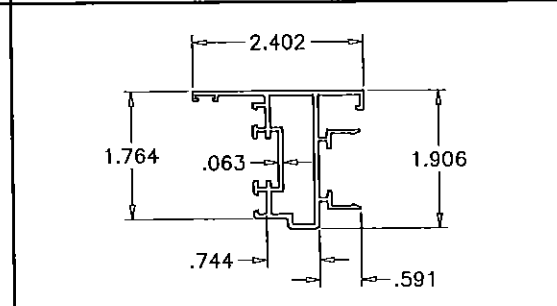
4 FRAME SILL



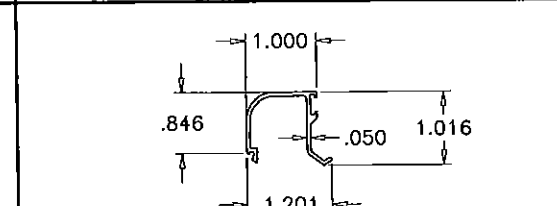
5 SILL BASE



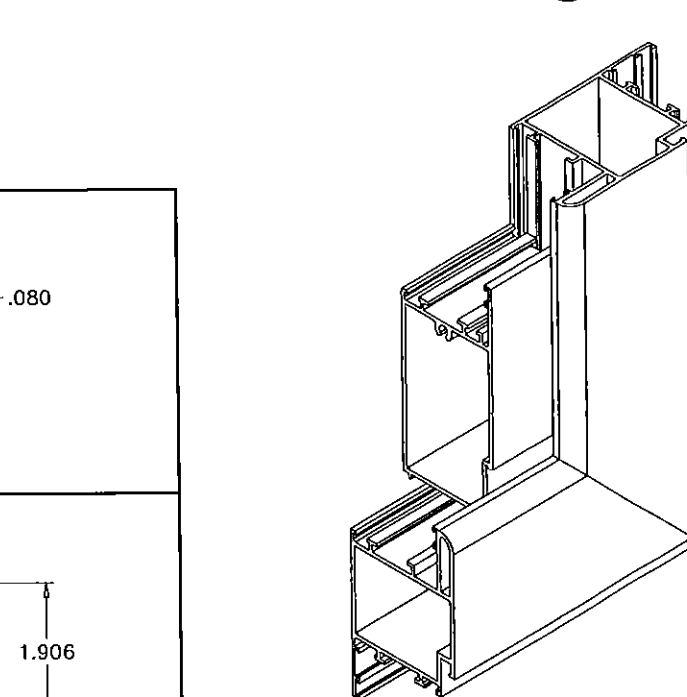
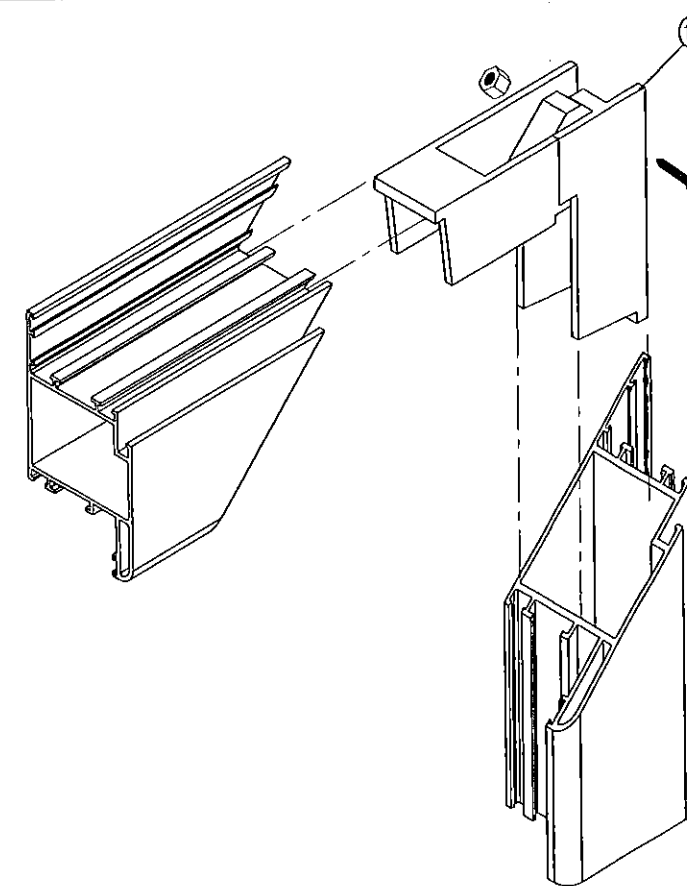
9 SHEAR CLIP



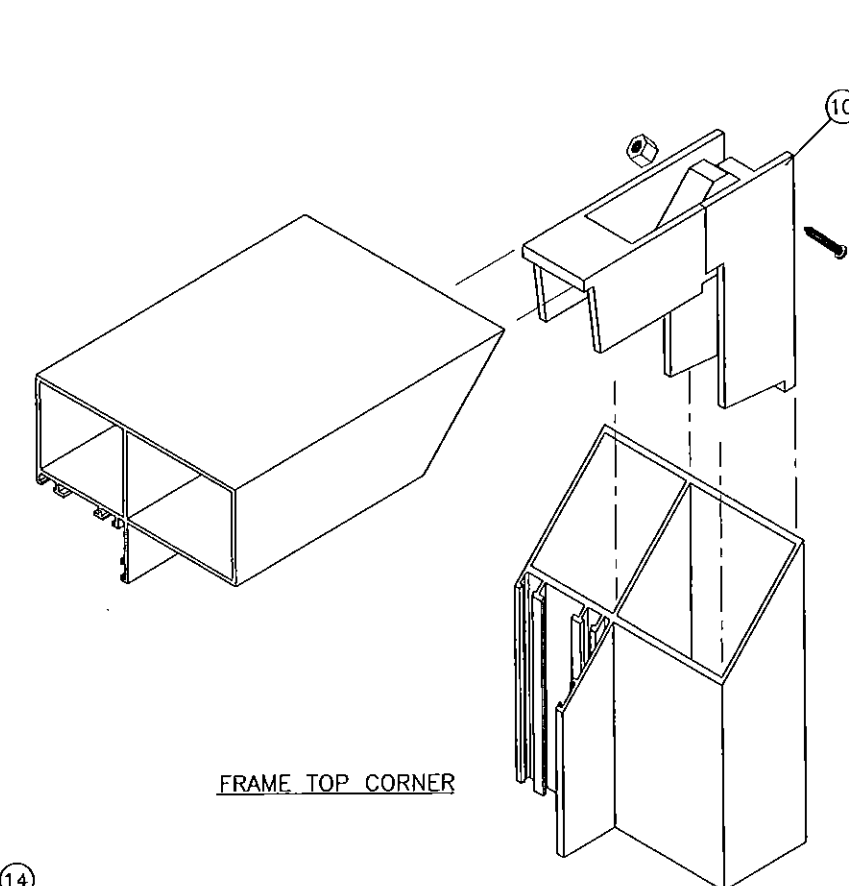
6 ASTRAGAL STILE



7 GLAZING BEAD



LEAF CORNERS



FRAME TOP CORNER

FRAME BOTTOM CORNER

Engr: JAVAD AHMAD
CML
FLA. PE # 70592
C.A.N. 3538

JUL 28 2015

PRODUCT REVISED
as complying with the Florida
Building Code
Acceptance No. 15-0729.14
Expiration Date 6/15/2019

by: *[Signature]*
Alum Outswing Entrance Door

af c
AL-FAROOQ CORPORATION
ENGINEERS & PRODUCT DEVELOPMENT
1235 S.W. 87 AVE
MIAMI, FLORIDA 33174
TEL (305) 264-8100 FAX (305) 262-6978
COMP - ANL W04-01 EWD

ALUM OUTSWING ENTRANCE DOOR (L.M.I.)
EUROTECH INDUSTRIES INC.
4201 N.E. 12TH TERRACE
FT. LAUDERDALE, FL. 33334
TEL (954) 630-9967 FAX (954) 630-0217

no.	date	description	by
A	04.28.06	NO CHANGE THIS SHEET	
B	04.11.08	GENERAL REVISION	
C	01.26.12	NO CHANGE THIS SHEET	
D	07.27.15	UPDATED TO 2014 FBC	

date: 01-15-04
scale: 3/8" = 1"
dr. by: HAMID
chk. by:

drawing no.
W04-01

sheet 5 of 5