



DEPARTMENT OF REGULATORY AND ECONOMIC RESOURCES (RER)
BOARD AND CODE ADMINISTRATION DIVISION

NOTICE OF ACCEPTANCE (NOA)

MIAMI-DADE COUNTY
PRODUCT CONTROL SECTION

11805 SW 26 Street, Room 208
T (786) 315-2590 F (786) 315-2599

www.miamidade.gov/economy

Continental Glass Systems, LLC
325 West 74 Place
Hialeah, FL 33014

SCOPE:

This NOA is being issued under the applicable rules and regulations governing the use of construction materials. The documentation submitted has been reviewed and accepted by Miami-Dade County RER - Product Control Section to be used in Miami Dade County and other areas where allowed by the Authority Having Jurisdiction (AHJ).

This NOA shall not be valid after the expiration date stated below. The Miami-Dade County Product Control Section (In Miami-Dade County) and/or the AHJ (in areas other than Miami-Dade County) reserve the right to have this product or material tested for quality assurance purposes. If this product or material fails to perform in the accepted manner, the manufacturer will incur the expense of such testing and the AHJ may immediately revoke, modify, or suspend the use of such product or material within their jurisdiction. RER reserves the right to revoke this acceptance, if it is determined by Miami-Dade County Product Control Section that this product or material fails to meet the requirements of the applicable building code.

This product is approved as described herein, and has been designed to comply with the Florida Building Code, including the High Velocity Hurricane Zone.-

DESCRIPTION: Series "5000" Aluminum Fixed Window – S.M.I.

APPROVAL DOCUMENT: Drawing No.FXD-5000-S.M., titled "Series 5000 - Fixed - Small Missile", sheets 1 to 7 of 7, dated 04/18/08, with revision #5 dated 08/01/16, prepared by the manufacturer, signed and sealed by Hermes F. Norero, P.E., bearing the Miami-Dade County Product Control Revision stamp with the Notice of Acceptance number and expiration date by the Miami-Dade County Product Control Section.

MISSILE IMPACT RATING: Small Missile Impact Resistant

LABELING: Each unit shall bear a permanent label with the manufacturer's name or logo, city, state, model/series, and following statement: "Miami-Dade County Product Control Approved", unless otherwise noted herein.

RENEWAL of this NOA shall be considered after a renewal application has been filed and there has been no change in the applicable building code negatively affecting the performance of this product.

TERMINATION of this NOA will occur after the expiration date or if there has been a revision or change in the materials, use, and/or manufacture of the product or process. Misuse of this NOA as an endorsement of any product, for sales, advertising or any other purposes shall automatically terminate this NOA. Failure to comply with any section of this NOA shall be cause for termination and removal of NOA.

ADVERTISEMENT: The NOA number preceded by the words Miami-Dade County, Florida, and followed by the expiration date may be displayed in advertising literature. If any portion of the NOA is displayed, then it shall be done in its entirety.

INSPECTION: A copy of this entire NOA shall be provided to the user by the manufacturer or its distributors and shall be available for inspection at the job site at the request of the Building Official.

This NOA revises and renews NOA# 11-1012.05 and consists of this page 1 and evidence pages E-1 and E-2, as well as approval document mentioned above.

The submitted documentation was reviewed by **Jorge M. Plasencia, P.E.**



Jorge M. Plasencia
9/16/2014

NOA No. 15-0827.03
Expiration Date: October 26, 2021
Approval Date: September 22, 2016
Page 1

Continental Glass Systems, LLC

NOTICE OF ACCEPTANCE: EVIDENCE SUBMITTED

A. DRAWINGS

1. Manufacturer's die drawings and sections.
(Submitted under NOA # 06-0706.01)
2. Drawing No. **FXD-5000-S.M.**, titled "Series 5000 - Fixed - Small Missile", sheets 1 to 7 of 7, dated 04/18/08, with revision #5 dated 08/01/16, prepared by manufacturer, signed and sealed by Hermes F. Norero, P.E.

B. TESTS


1. Test reports on:
 - 1) Air Infiltration Test, per FBC, TAS 202-94
 - 2) Uniform Static Air Pressure Test, Loading per FBC, TAS 202-94
 - 3) Water Resistance Test, per FBC, TAS 202-94
 - 4) Small Missile Impact Test per FBC, TAS 201-94
 - 5) Cyclic Wind Pressure Loading per FBC, TAS 203-94along with marked-up drawings and installation diagram of an aluminum fixed windows muller together, prepared by Fenestration Testing Laboratory, Inc., Test Report No. **FTL-6637**, dated 09/12/11, signed and sealed by Marlin D. Brinson, P.E.
(Submitted under previous NOA #11-1012.03)
2. Test reports on:
 - 1) Air Infiltration Test, per FBC, TAS 202-94
 - 2) Uniform Static Air Pressure Test, Loading per FBC, TAS 202-94
 - 3) Water Resistance Test, per FBC, TAS 202-94
 - 4) Small Missile Impact Test per FBC, TAS 201-94
 - 5) Cyclic Wind Pressure Loading per FBC, TAS 203-94along with installation diagram of aluminum fixed windows muller together, prepared by Fenestration Testing Laboratory, Inc. Test Report No. **FTL-4873**, dated 03/14/06, signed and sealed by Edmundo Largaespada, P.E.
(Submitted under NOA # 06-0706.01)

C. CALCULATIONS

1. Anchor verification calculations and structural analysis, complying with FBC 2010 dated 04/20/12 and updated on 06/13/15 to comply with **FBC-5th Edition (2014)**, prepared by Building Drops, Inc., signed, sealed by Hermes F. Norero, P.E.
2. Glazing complies with **ASTM E1300-09**

D. QUALITY ASSURANCE

1. Miami-Dade Department of Regulatory and Economic Resources (RER).



Jorge M. Plasencia, P.E.
Product Control Unit Supervisor
NOA No. 15-0827.03
Expiration Date: October 26, 2021
Approval Date: September 22, 2016

Continental Glass Systems, LLC

NOTICE OF ACCEPTANCE: EVIDENCE SUBMITTED

E. MATERIAL CERTIFICATIONS

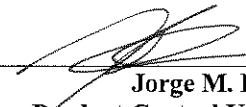
1. Notice of Acceptance No. **15-1201.11** issued to **Eastman Chemical Company (MA)** for their “**Saflex Clear and Color Glass Interlayers**” dated 03/17/16, expiring on 05/21/21.
2. Notice of Acceptance No. **14-0916.11** issued to **Kuraray America, Inc.** for their “**SentryGlas® (Clear and White) Glass Interlayers**” dated 06/25/15, expiring on 07/04/18.

F. STATEMENTS

1. Statement letter of conformance, complying with **FBC-5th Edition (2014)**, and of no financial interest, dated June 22, 2015, issued by Building Drops, Inc., signed and sealed by Hermes Norero, P.E.
2. Letter from manufacturer requesting name change from Continental Glass System, Inc. to **Continental Glass System, LLC**, dated April 4, 2016, signed by Samir Moussa, COO.
3. Assignment Agreement dated April 21, 2015 between **Continental Glass System, Inc.** a Florida Corporation (Assignor) and **Continental Glass System, LLC** a Delaware Limited Liability Company (Assignee) signed by Shlomo Epstein, Samir Moussa and Paul L. Rudy III for Graham Architectural Products Corporation.
4. Notification of Successor Engineer for manufacturer’s NOA document per **Section 61G15-27.001** of the **Florida Administrative Code**, dated June 22, 2015, signed and sealed by Hermes Norero, P.E.

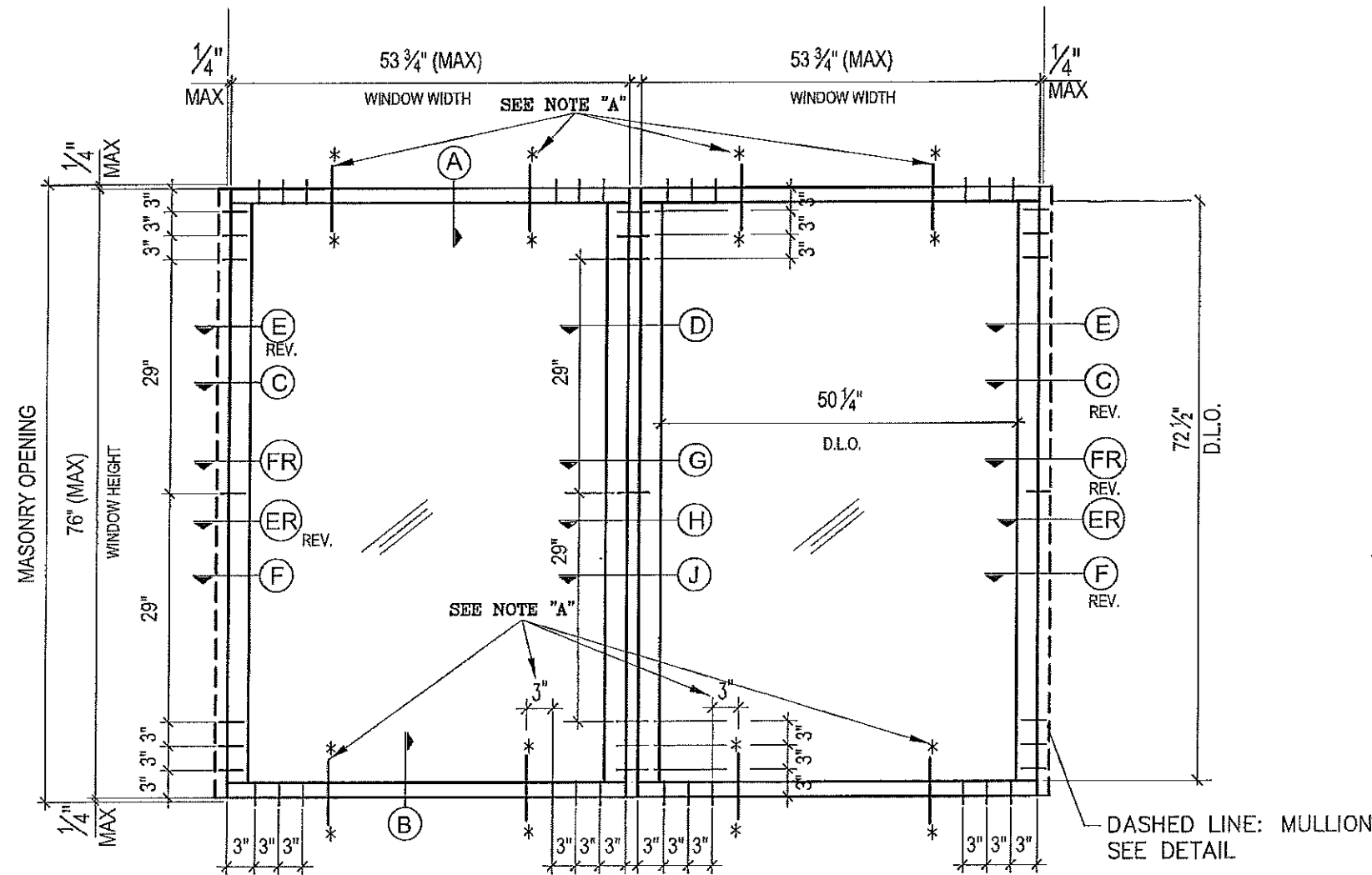
G. OTHERS

1. Notice of Acceptance No. **11-1012.03**, issued to Continental Glass Systems, Inc. for their Series “5000” Aluminum Fixed Window – S.M.I., approved on 05/24/12 and expiring on 10/26/16



Jorge M. Plasencia, P.E.
Product Control Unit Supervisor
NOA No. 15-0827.03
Expiration Date: October 26, 2021
Approval Date: September 22, 2016

**SERIES 5000 FIXED WINDOW
SMALL MISSILE IMPACT**

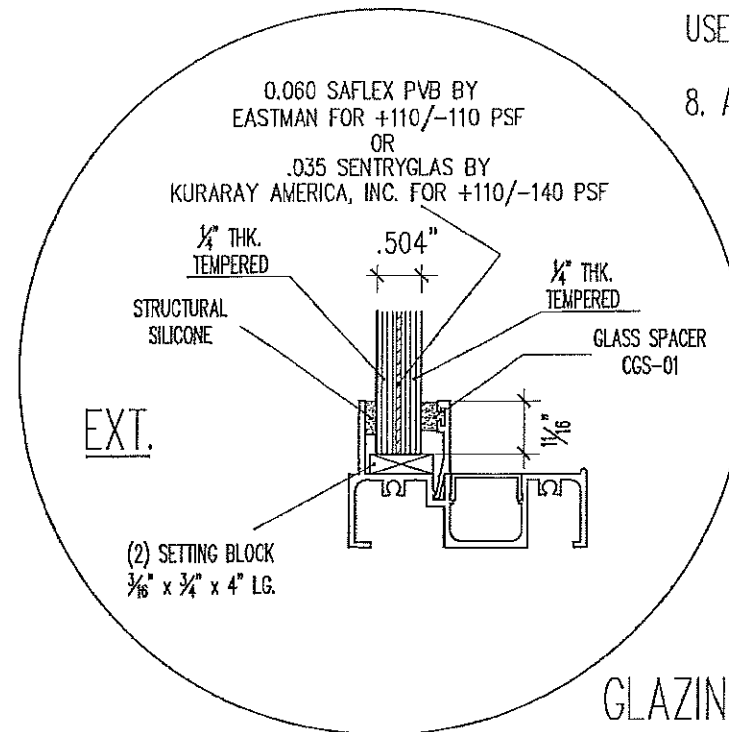


**FIXED WINDOW ELEVATION
EXTERIOR VIEW**

NOTE "A"	DESIGN LOAD CAPACITY (P.S.F.)		
	POSITIVE	NEGATIVE	INTERLAYER
	110	110	SAFLEX OR SENTRYGLAS
"A"	110	140	SENTRYGLAS ONLY

NOTE "A"

* ADD (2) ANCHORS TOP & BOTTOM FOR 140 P.S.F. LOAD.



GLAZING DETAIL

NOTES:

1. THIS FIXED WINDOW SYSTEM IS DESIGNED AND TESTED TO COMPLY WITH THE REQUIREMENTS OF THE 5TH EDITION FLORIDA BUILDING CODE (FBC) CHAPTER 16 AND 24, UNDER THE SPECIFIC CONDITION SHOWN ON THIS DRAWING. INCLUDING THE HIGH VELOCITY HURRICANE ZONE. REF. AUTH. No. 05110 (LAB. No. 4873) & AUTH. No. 11050 (LAB. No. 6637)
2. ALL EXTRUSIONS ARE ALUMINUM, 6105-T5 WITH A MINIMUM F_y OF 35,000 P.S.I. U.O.N.
3. SMALL MISSILE IMPACT: INSTALLATION UP TO 30 FT ABOVE GRADE WILL REQUIRE A HURRICANE PROTECTION SYSTEM. BUT FOR INSTALLATION ABOVE 30 FT ABOVE GRADE WILL NOT REQUIRE A HURRICANE PROTECTION SYSTEM.
4. ALL CONCRETE ANCHORS ARE ELCO ULTRACON WITH 1 3/4" MIN. EMBEDMENT INTO 3515 PSI CONCRETE OR BETTER.
5. STEEL STUD ANCHORS ARE HILTI KIWKFLEX SELF-TAPPING ANCHORS INTO MIN. 0.100" THICKNESS f_y=33 KSI STEEL WITH 3 THREADS PENETRATION BEYOND STEEL WALL.
6. SHIMS. USE HARD PLASTIC.
7. A 33% INCREASE IN ALLOWABLE STRESS WAS NOT USED IN THE DESIGN OF ANCHORS
8. APPROVED STRUCTURAL SILICONE:

- A) 795 DOW CORNING
- B) SCS 2000 BY GE
- C) PROGLAZE SSG BY TREMCO

Continental Glass Systems, LLC.
325 West 74 Place
Hialeah Florida, 33014
Phone 805-231-1101 Fax 805-231-1103

Series 5000
FIXED
SMALL MISSILE

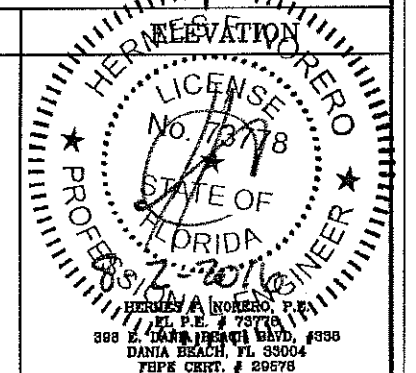
REVISION	
No	Description
1	DATE
2	11-15-11 RENEWAL
3	03-23-12 RENEWAL
4	05-30-15 FBC CODE UPDATE
5	08-01-15 S.M. & E.O.R. CHANGE RER COMMENTS

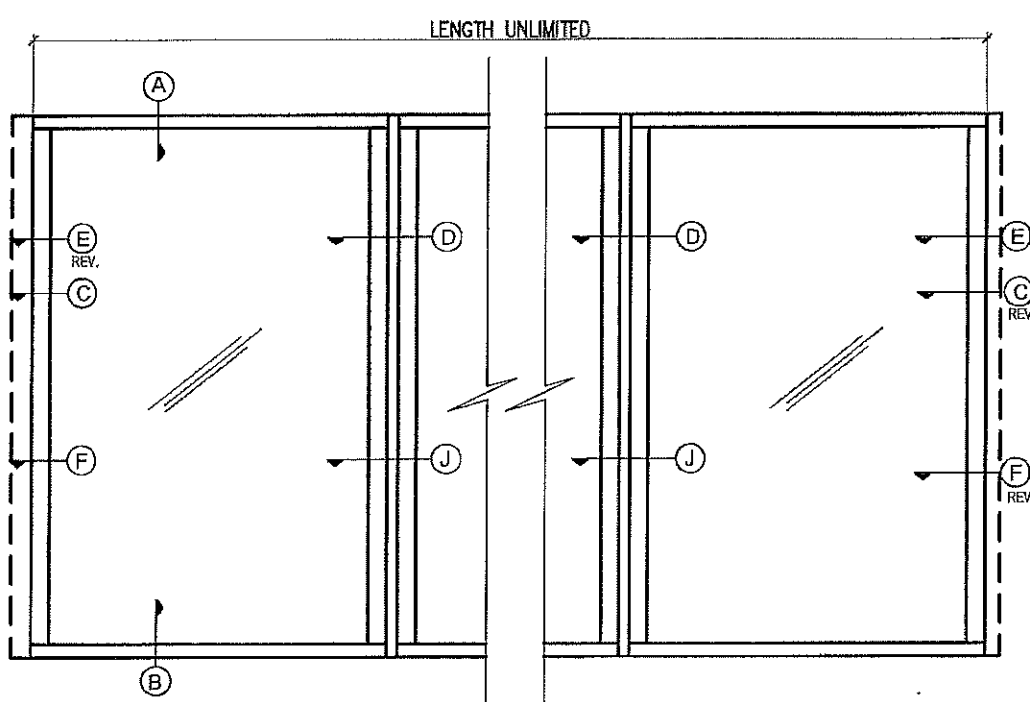
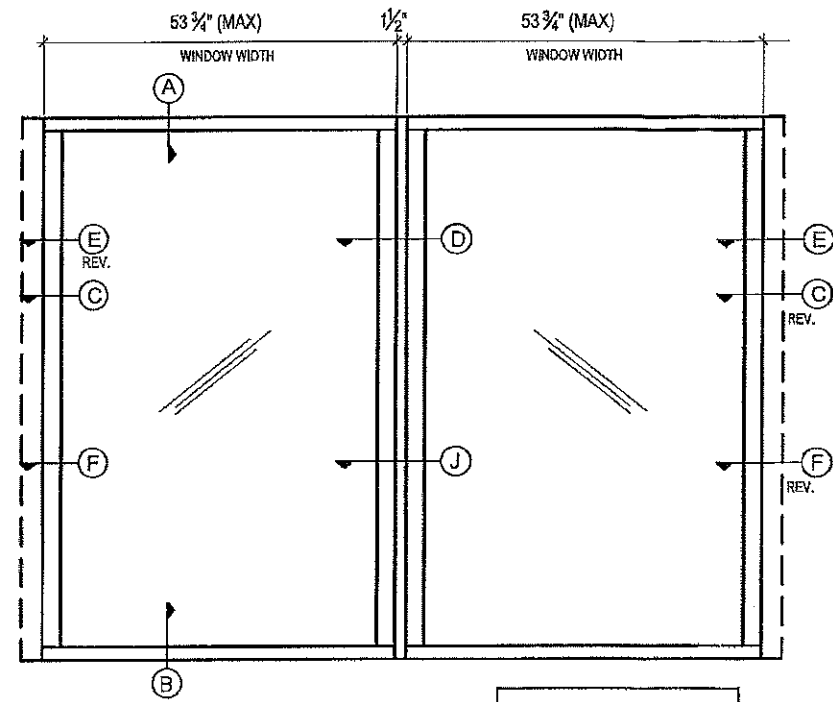
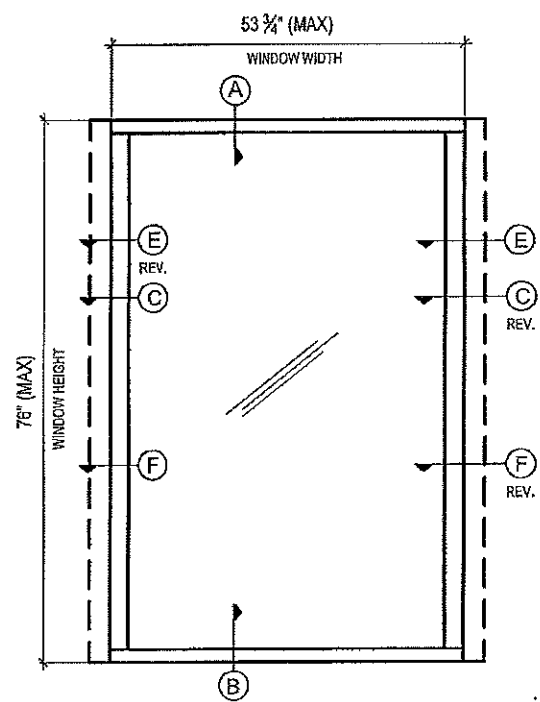
Date	4-18-08
Scale	N.T.S.
Design by	G. S.
Drawing by	RICHARD
Checked by	G. S.
Drawing No.	FXD-5000-S.M.
Sheet 1 of 7	

APPROVAL

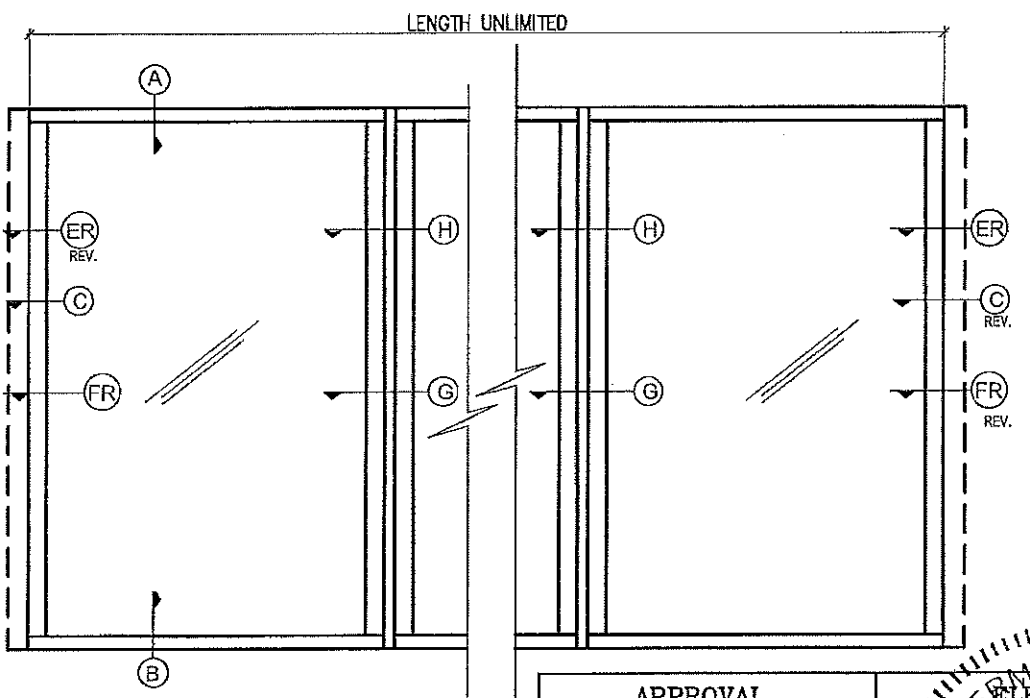
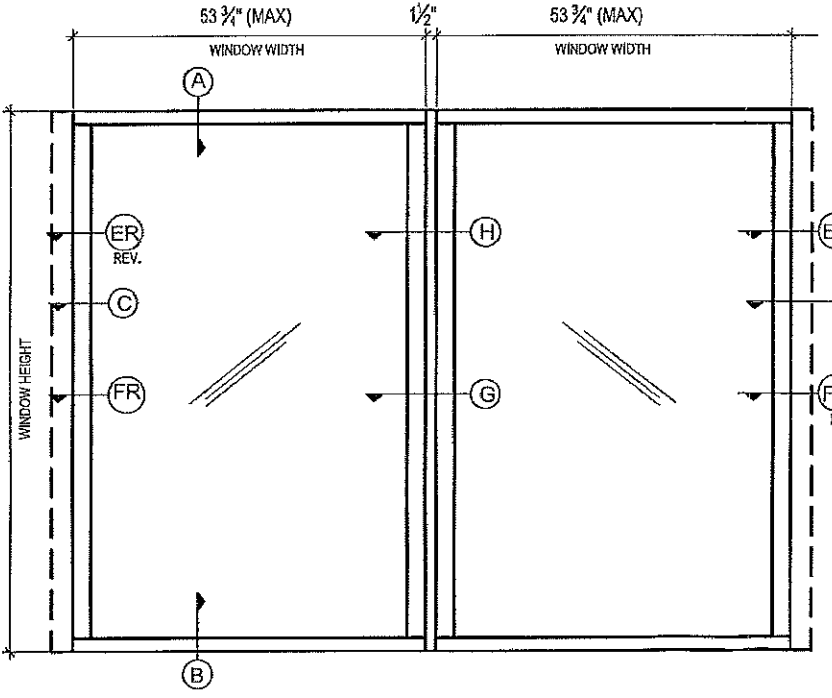
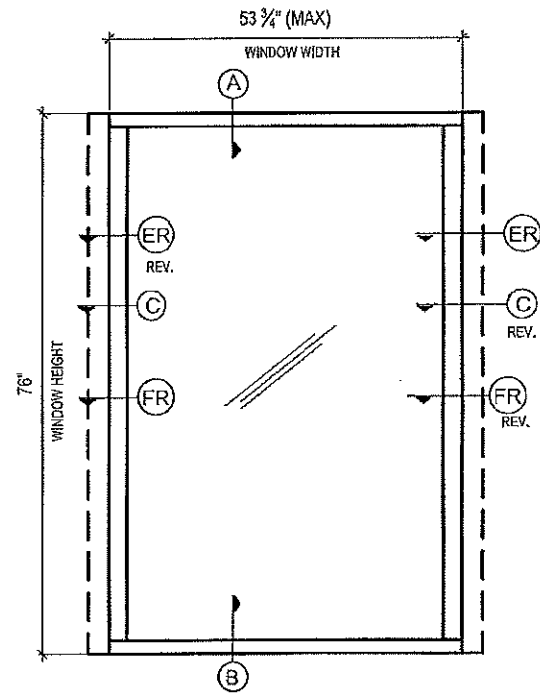
PRODUCT REVISED
as complying with the Florida Building Code
NOA-No. **15-0827.03**
Expiration Date **10/26/2021**

By *[Signature]*
Miami-Dade Product Control





+110 PSF
-110 PSF



+110 PSF
-140 PSF

--- DASHED LINE: MULLION
SEE DETAIL

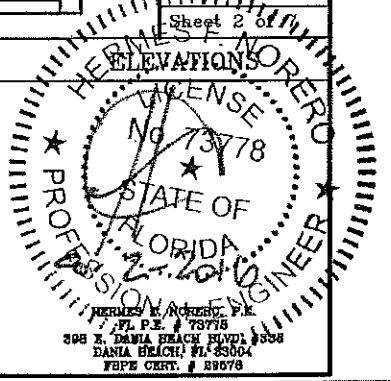
Continental Glass Systems, LLC.
325 West 74 Place
Hialeah Florida, 33014
Phone 305-281-1101 Fax 305-281-1103

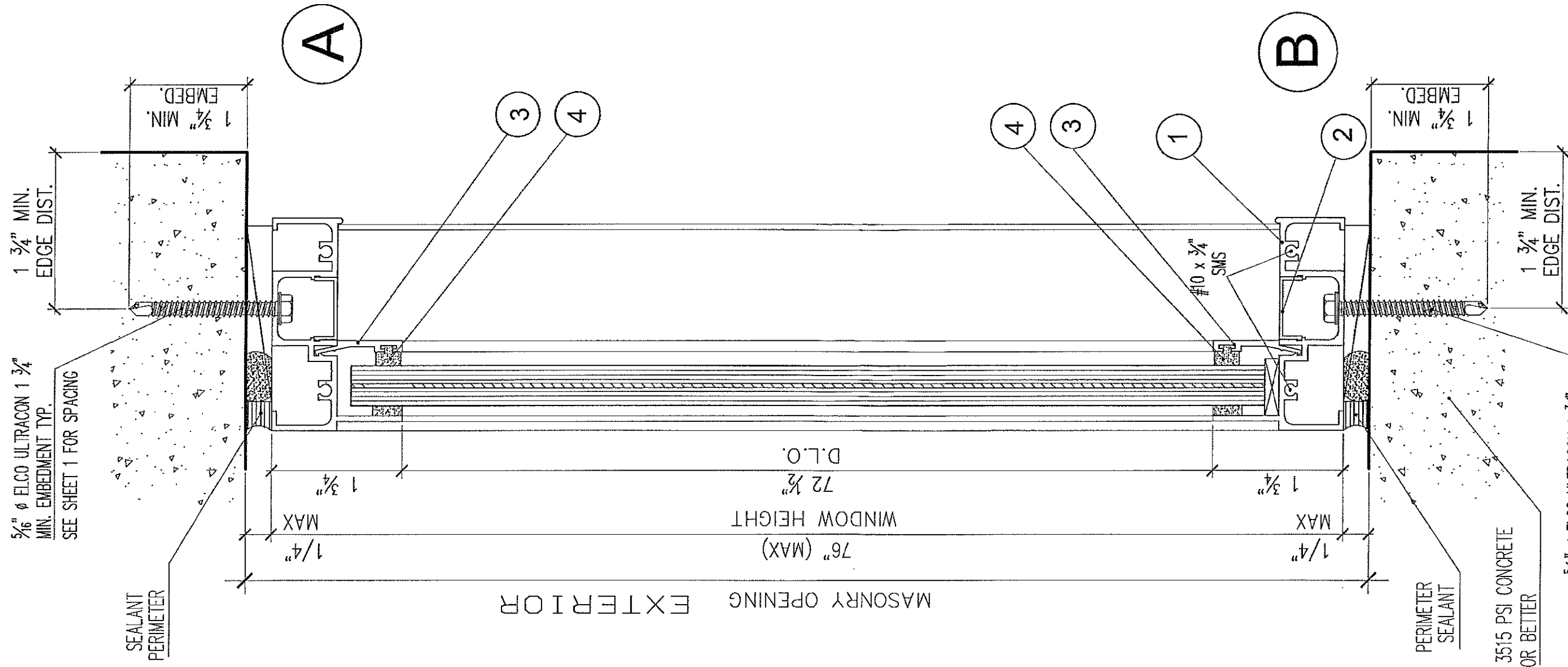
Series 5000
FIXED
SMALL MISSILE

No	Date	By	Description
1	11-19-08		
2	11-16-11	T.S.	RENEWAL
3	03-23-12	M.E.F.	RENEWAL

Date: 4-16-08
Scale: N.T.S.
Design by: G. S.
Drawing by: RICHARD
Checked by: G. S.
Drawing No. FXP-5000-S.M.
Sheet 2 of 2

APPROVAL
PRODUCT REVISED
as complying with the Florida
Building Code
NOA-No. 15-0827.03
Expiration Date 10/26/2021
By: *[Signature]*
Miami-Dade Product Control





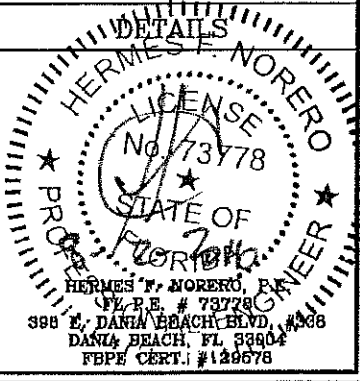
MASONRY OPENING EXTERIOR

VERTICAL SECTIONS

No	Date	By	Description
1	11-19-08		
2	11-15-11	T.S.	RENEWAL
3	03-23-12	M.E.P.	RENEWAL
4	09-01-16	S.M.	REPER COMMENTS

Date 4-16-08
 Scale
 Design by G. S.
 Drawing by R. P.
 Checked by G. S.
 Drawing No. FXD-5000-SM
 Sheet 3 of 7

APPROVAL
PRODUCT REVISED
 as complying with the Florida Building Code
 NOA-No. 15-0827.03
 Expiration Date 10/26/2021
 By *[Signature]*
 Miami-Dade Product Control



Series 5000
FIXED
 SMALL MISSILE

Continental Glass Systems, LLC.
 325 West 74 Place
 Hialeah Florida, 33014
 Phone 305-231-1101 Fax 305-231-1103

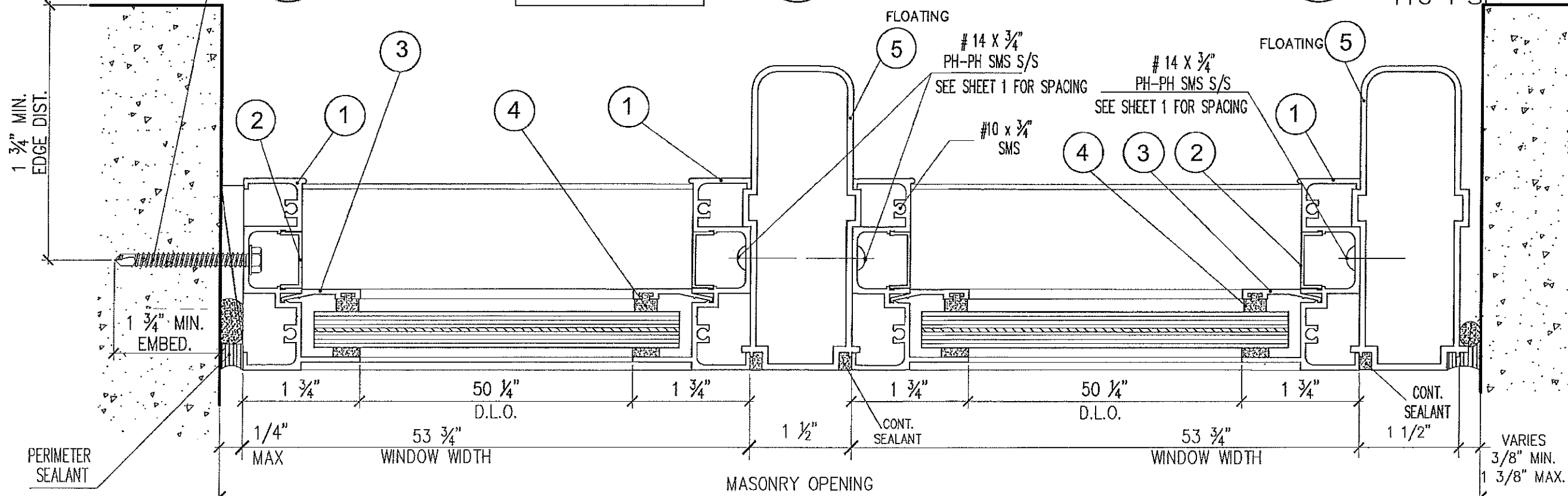
5/16" ELCO ULTRACON
1 3/4" MIN. EMBEDMENT (TYP).
SEE SHEET 1 FOR SPACING

C +110 PSF
-140 PSF

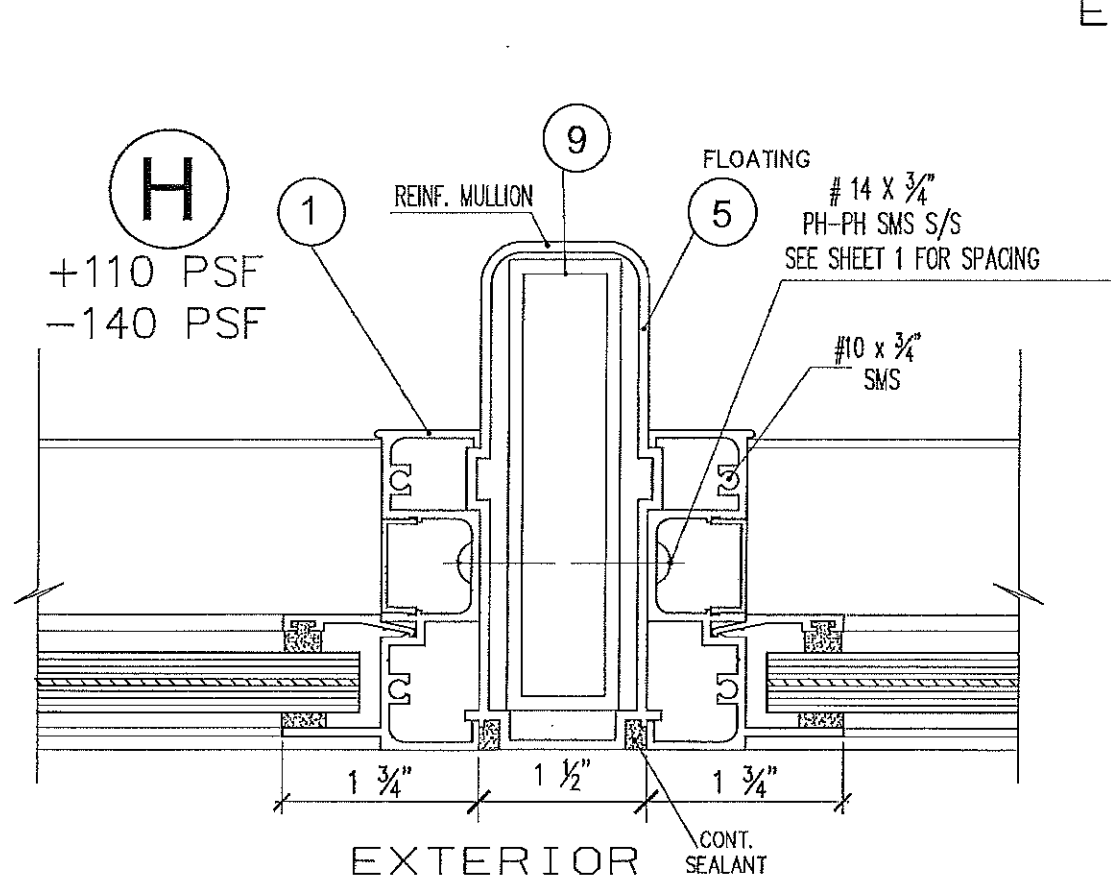
HORIZONTAL
SECTIONS

D +110 PSF
-110 PSF

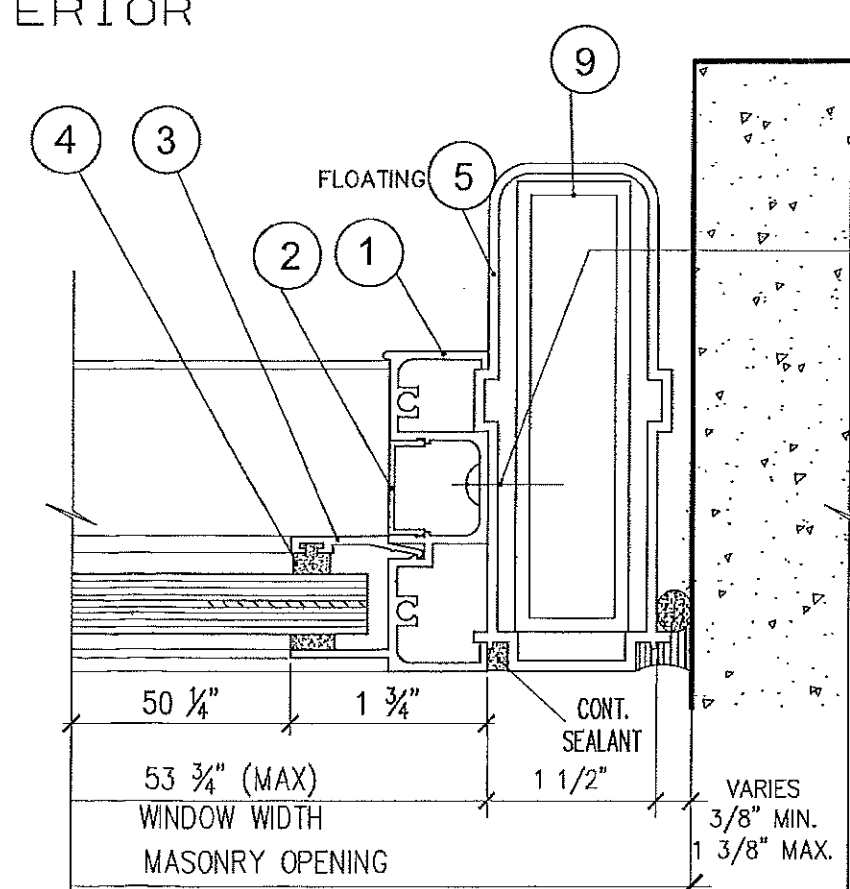
E +110 PSF
-110 PSF



EXTERIOR



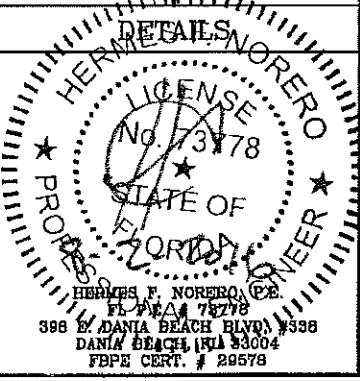
EXTERIOR



ER +110 PSF
-140 PSF
#14 x 3/4"
PH-PH SMS S/S
SEE SHEET 1 FOR SPACING

FLOATING JAMB SEALING NOTES:
1. BACKER ROD DIAMETER EQUALS SEALANT WIDTH x 120%
2. SEALANT WIDTH TO DEPTH RATIO SHALL BE 2:1 FOR WIDTHS UP TO 1", MINIMUM DEPTH SHALL BE 1/4". USE 1/2" DEPTH FOR WIDTHS GREATER THAN 1".

APPROVAL
PRODUCT REVISED
as complying with the Florida Building Code
NOA-No. **15-0827.03**
Expiration Date **10/26/2021**
By *[Signature]*
Miami-Dade Product Control



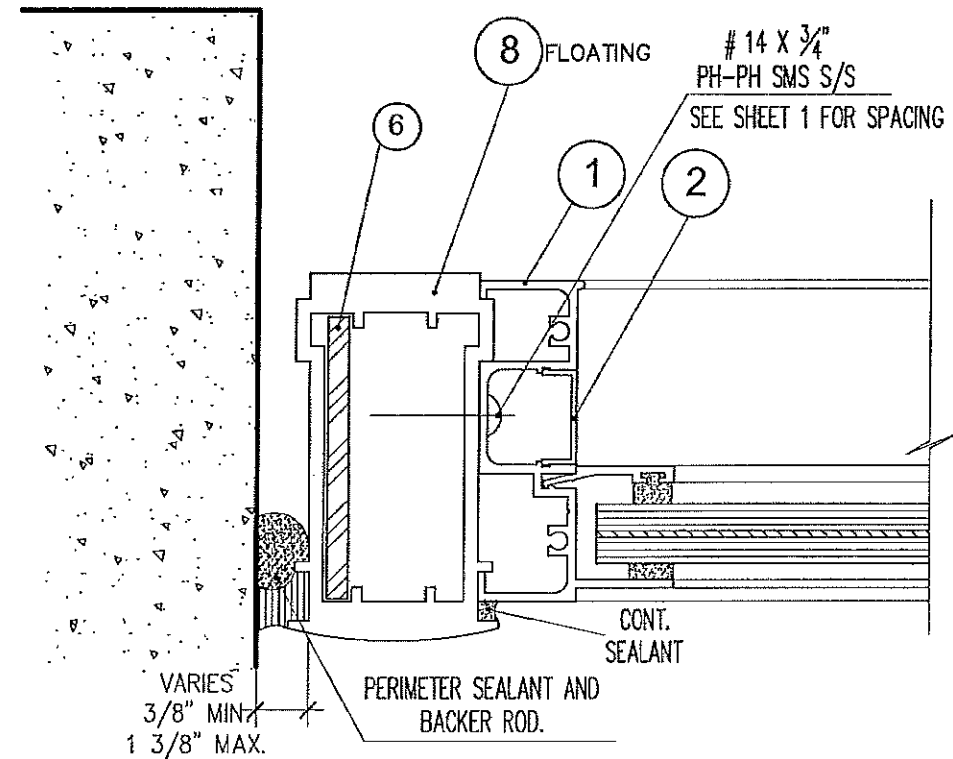
Continental Glass Systems, LLC.
325 West 74 Place
Hialeah Florida, 33014
Phone 305-231-1101 Fax 305-231-1103

Series 5000
FIXED
SMALL MISSILE

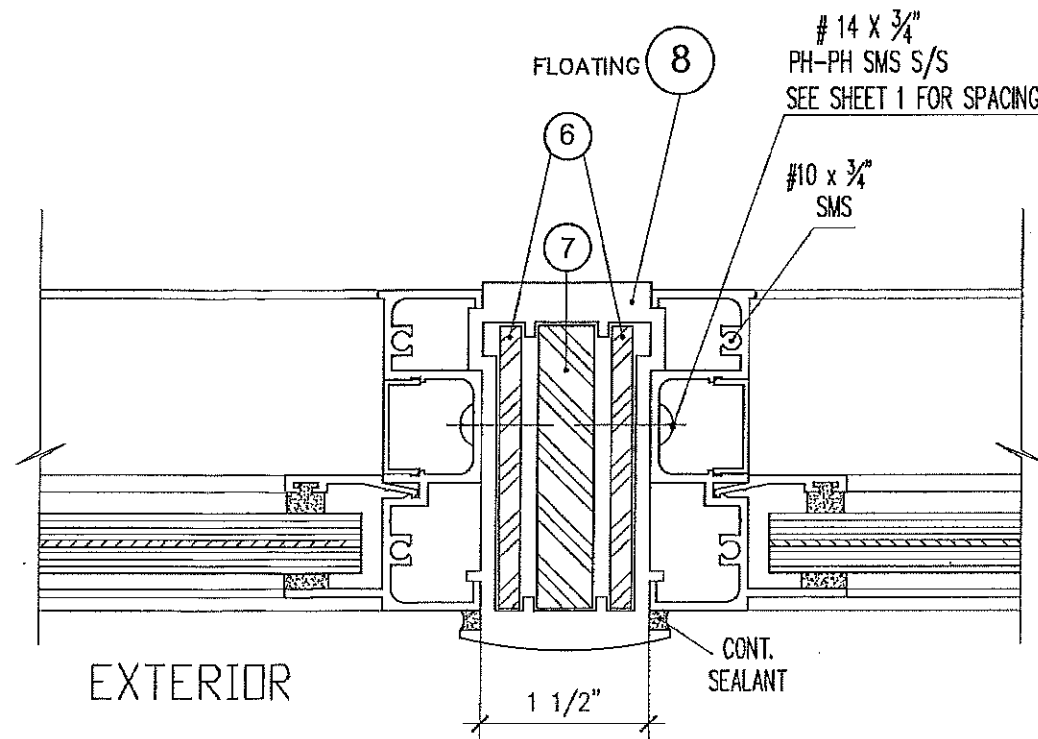
No	Date	By	Description
1	11-19-08		
2	11-16-11	RS	RENEWAL
3	03-23-12	MEP	RENEWAL
4	08-01-16	S.M.	PER COMMENTS

Date 4-18-08
Scale N.T.S.
Design by G. S.
Drawing by R. P.
Checked by G. S.
Drawing No. FXD-5000-S.M.
Sheet 4 of 7

FR +110 PSF
-140 PSF



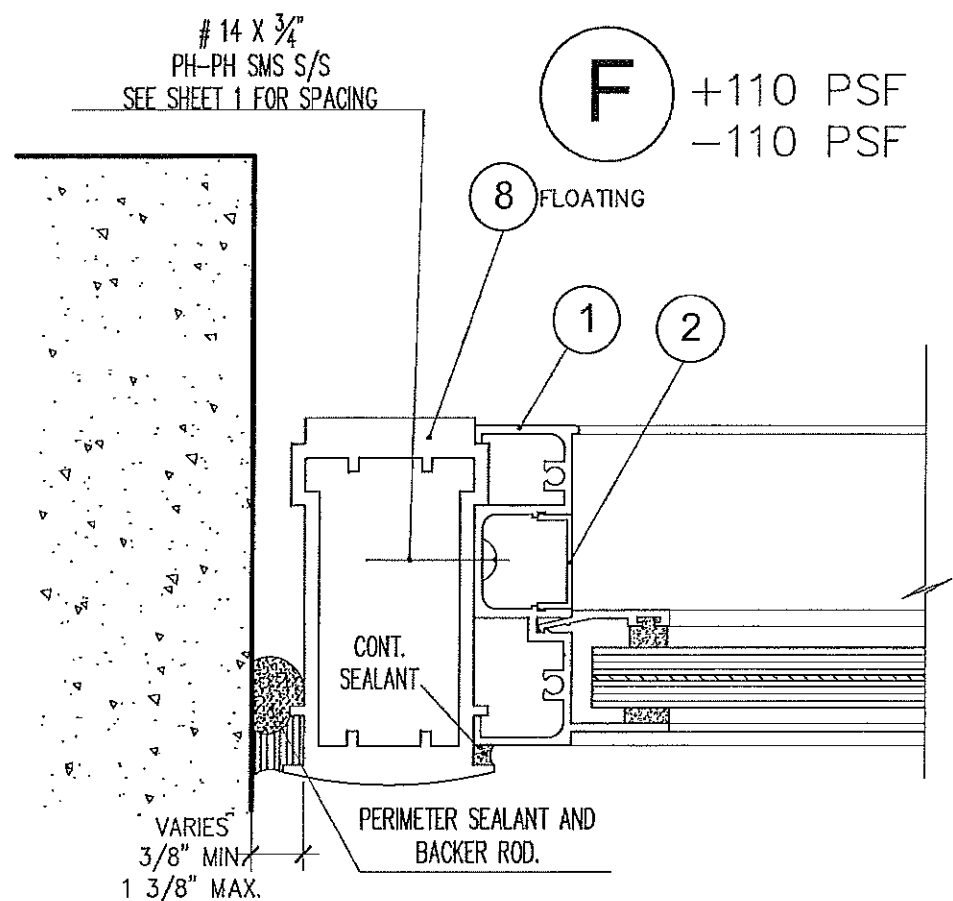
G +110 PSF
-140 PSF



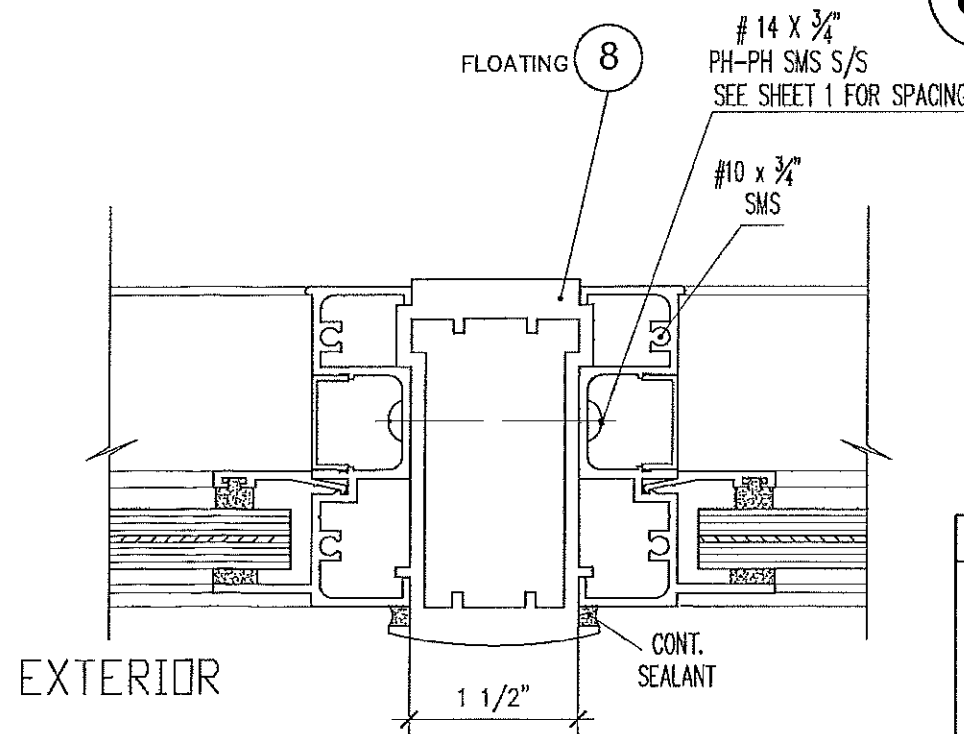
FLOATING JAMB SEALING NOTES:

1. BACKER ROD DIAMETER EQUALS SEALANT WIDTH x 120%
2. SEALANT WIDTH TO DEPTH RATIO SHALL BE 2:1 FOR WIDTHS UP TO 1", MINIMUM DEPTH SHALL BE 1/4". USE 1/2" DEPTH FOR WIDTHS GREATER THAN 1".

F +110 PSF
-110 PSF



J +110 PSF
-110 PSF



HORIZONTAL SECTIONS

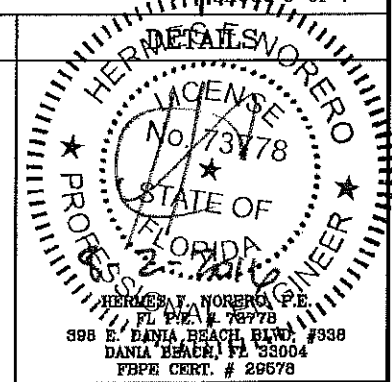
Continental Glass Systems, LLC.
325 West 74 Place
Hialeah Florida, 33014
Phone 305-231-1101 Fax 305-231-1103

Series 5000
FIXED
SMALL MISSILE

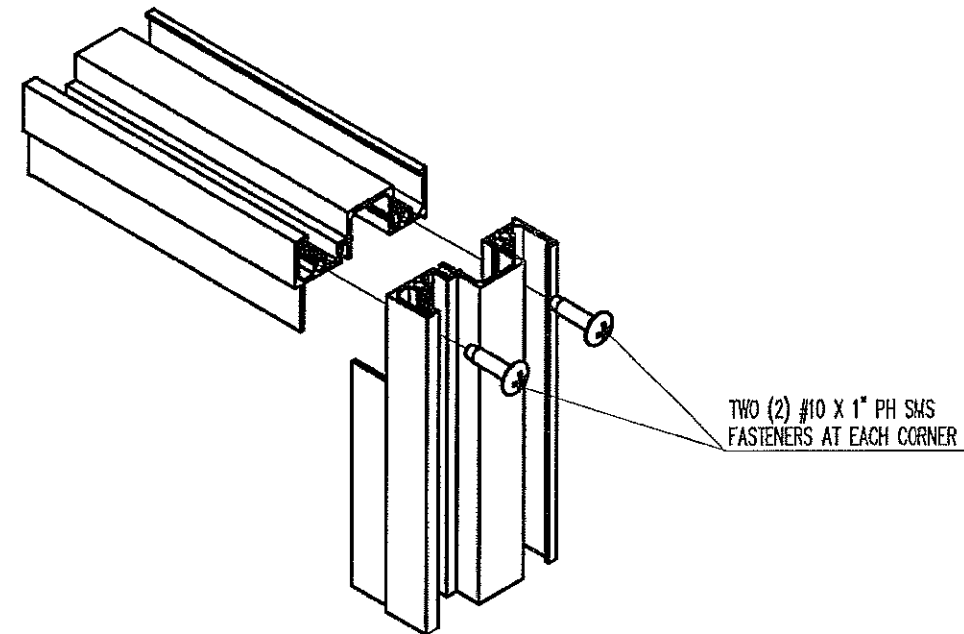
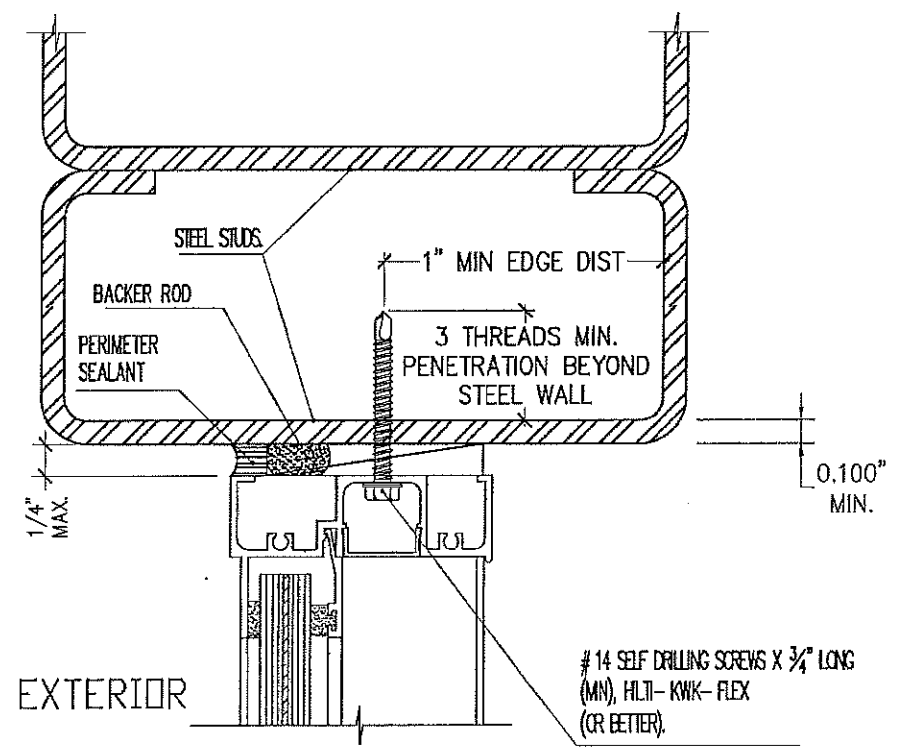
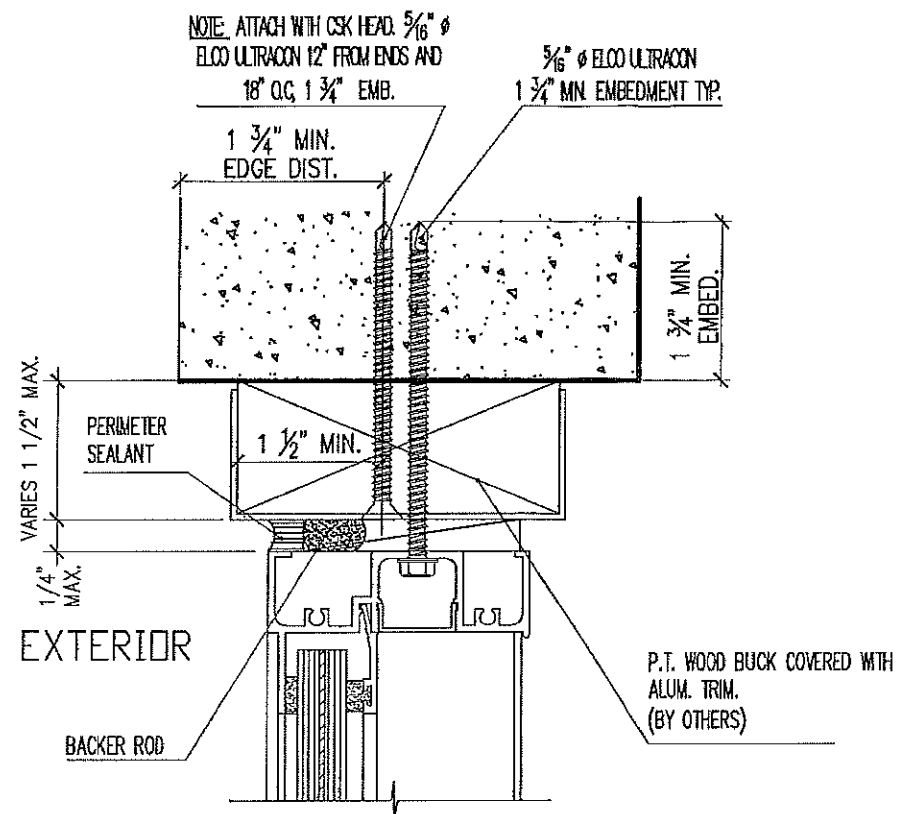
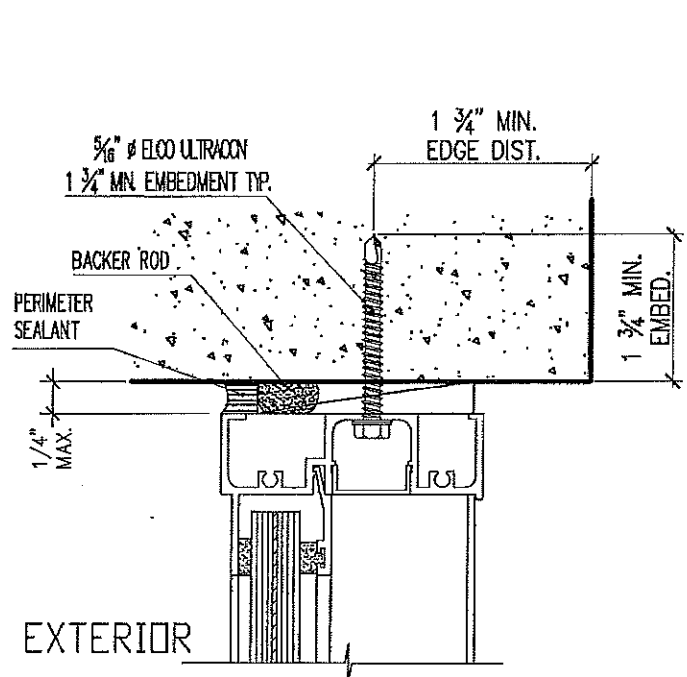
REVISION		Date	Description
No	Date	By	Description
1	11-19-08		
2	11-16-11	T.S.	RENEWAL
3	03-23-12	M.E.P.	RENEWAL

Date 4-18-08
Scale N.T.S.
Design by C.S.
Drawing by R.P.
Checked by G.S.
Drawing No. FXD-5000-S.M.
Sheet 5 of 7

APPROVAL
PRODUCT REVISED
as complying with the Florida Building Code
NOA-No. 15-0827.03
Expiration Date 10/26/2021
By *[Signature]*
Miami-Dade Product Control



TYPICAL INSTALLATION WITH CONCRETE, WOOD AND STEEL FOR HEAD, SILL, AND JAMB CONDITIONS.



CORNER DETAIL.

Continental Glass Systems, LLC.
 325 West 74 Place
 Hialeah Florida, 33014
 Phone 305-231-1101 Fax 305-231-1103

Series 5000
 FIXED
 SMALL MISSILE

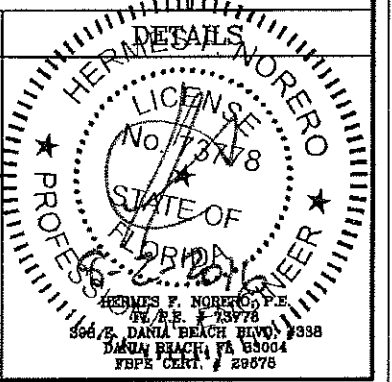
REVISION		Date	Description
No	Date	By	Description
1	11-19-08	T.S.	RENEWAL
2	11-15-11	M.E.P.	RENEWAL
3	03-23-12	S.M.	REVISION
4	08-01-16	S.M.	REVISION

Date: 4-18-08
 Scale: N.T.S.
 Design by: G. S.
 Drawing by: RICHARD
 Checked by: G. S.
 Drawing No.: FXD-5000-S.M.
 Sheet 6 of 7

APPROVAL

PRODUCT REVISED
 as complying with the Florida
 Building Code
 NOA-No. **15-0827.03**
 Expiration Date **10/26/2021**

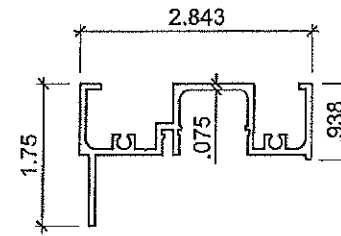
By *[Signature]*
 Miami-Dade Product Control



FIXED

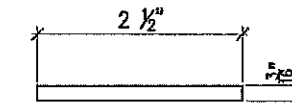
ITEM #	PART #	PART NAME	REMARKS
1	5000-15	HEAD, SILL OR JAMB	FRAME $I_{x-x} = 0.593 \text{ in}^4$
2	5000-16	COVER	FRAME
3	5000-08	GLAZING BEAD	
4	CGS-01	GLASS SPACING	PROTOTYPE PLASTIC EXTRUSION
5	5000-10	MULLION	$I_{x-x} = 2.473 \text{ in}^4$
6	NONE	BAR	$2 \frac{1}{2}'' \times \frac{3}{16}''$ ALUM. 6063-T5, $I = 0.244 \text{ in}^4$
7	NONE	BAR	$2 \frac{1}{2}'' \times \frac{1}{2}''$ ALUM. 6063-T5, $I = 0.650 \text{ in}^4$
8	5000-14	SMALL MULLION	$I_{x-x} = 2.74 \text{ in}^4$
9	NONE	TUBE	$1'' \times 4'' \times \frac{1}{8}''$ ALUM. 6063-T5, $I = 2.037 \text{ in}^4$

JAMB, HEAD OR SILL



① 5000-15

ALUM. BAR



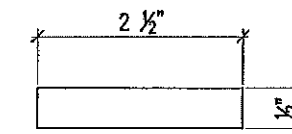
⑥

COVER



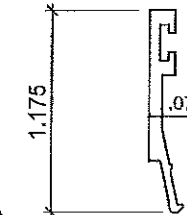
② 5000-16

ALUM. BAR



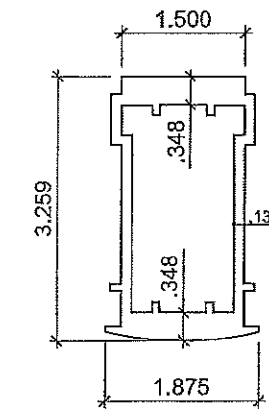
⑦

GLAZING BEAD



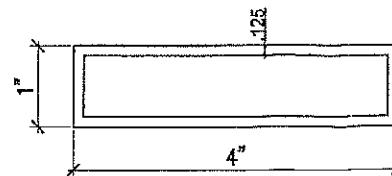
③ 5000-08

SMALL MULLION



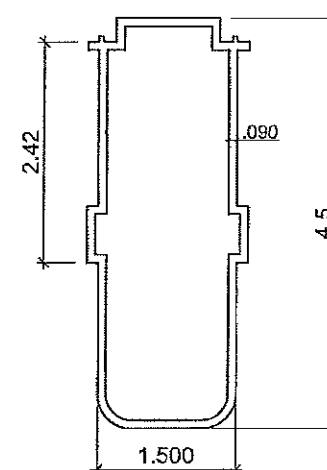
⑧ 5000-14

MULLION REINFORCEMENT
ALUM. TUBE



⑨

MULLION



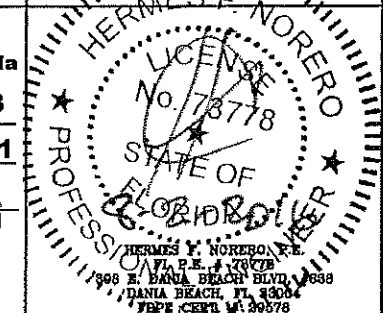
⑤ 5000-10

APPROVAL

PRODUCT REVISED
as complying with the Florida
Building Code
NOA-No. **15-0827.03**
Expiration Date **10/26/2021**

By *[Signature]*
Miami-Dade Product Control

EXTRUSIONS & PARTS



No	Date	By	Description
1	11-19-08	T.S.	RENEWAL
2	11-15-11	M.E.P.	RENEWAL
3	05-23-12	M.E.P.	RENEWAL

Date 4-18-08
Scale N.T.S.
Design by G. S.
Drawing by RICHARD
Checked by G. S.
Drawing No. FXD-5000-S.M.
Sheet 7 of 7

Continental Glass Systems, LLC.
325 West 74 Place
Hialeah Florida, 33014
Phone 305-231-1101 Fax 305-231-1103

Series 5000
FIXED
SMALL MISSILE