



DEPARTMENT OF REGULATORY AND ECONOMIC RESOURCES (RER)  
BOARD AND CODE ADMINISTRATION DIVISION

MIAMI-DADE COUNTY  
PRODUCT CONTROL SECTION  
11805 SW 26 Street, Room 208  
T (786) 315-2590 F (786) 315-2599

**NOTICE OF ACCEPTANCE (NOA)**

[www.miamidade.gov/economy](http://www.miamidade.gov/economy)

**Continental Glass Systems, LLC**  
325 West 74 Place  
Hialeah, FL 33014

**SCOPE:**

This NOA is being issued under the applicable rules and regulations governing the use of construction materials. The documentation submitted has been reviewed and accepted by Miami-Dade County RER - Product Control Section to be used in Miami Dade County and other areas where allowed by the Authority Having Jurisdiction (AHJ).

This NOA shall not be valid after the expiration date stated below. The Miami-Dade County Product Control Section (In Miami-Dade County) and/or the AHJ (in areas other than Miami-Dade County) reserve the right to have this product or material tested for quality assurance purposes. If this product or material fails to perform in the accepted manner, the manufacturer will incur the expense of such testing and the AHJ may immediately revoke, modify, or suspend the use of such product or material within their jurisdiction. RER reserves the right to revoke this acceptance, if it is determined by Miami-Dade County Product Control Section that this product or material fails to meet the requirements of the applicable building code.

This product is approved as described herein, and has been designed to comply with the Florida Building Code, including the High Velocity Hurricane Zone.-

**DESCRIPTION: Series "3100" 10'1" Aluminum Window Wall System – L.M.I.**

**APPROVAL DOCUMENT:** Drawing No. FXD-3100-LM, titled "Series 3100 Fixed Window Large Missile", sheets 1 through 7 of 7, dated 09/18/07, with revision #4 dated 07/20/16, prepared by manufacturer, signed and sealed by Hermes F. Norero, P.E., bearing the Miami-Dade County Product Control Revision stamp with the Notice of Acceptance number and expiration date by the Miami-Dade County Product Control Section.

**MISSILE IMPACT RATING: Large and Small Missile Impact Resistant**

**LIMITATION: Refer to evidence page E-1 for air infiltration rate.**

**LABELING:** Each unit shall bear a permanent label with the manufacturer's name or logo, city, state, model/series, and following statement: "Miami-Dade County Product Control Approved", unless otherwise noted herein.

**RENEWAL** of this NOA shall be considered after a renewal application has been filed and there has been no change in the applicable building code negatively affecting the performance of this product.

**TERMINATION** of this NOA will occur after the expiration date or if there has been a revision or change in the materials, use, and/or manufacture of the product or process. Misuse of this NOA as an endorsement of any product, for sales, advertising or any other purposes shall automatically terminate this NOA. Failure to comply with any section of this NOA shall be cause for termination and removal of NOA.

**ADVERTISEMENT:** The NOA number preceded by the words Miami-Dade County, Florida, and followed by the expiration date may be displayed in advertising literature. If any portion of the NOA is displayed, then it shall be done in its entirety.

**INSPECTION:** A copy of this entire NOA shall be provided to the user by the manufacturer or its distributors and shall be available for inspection at the job site at the request of the Building Official.

This NOA revises NOA# 12-1115.03 and consists of this page 1 and evidence pages E-1 and E-2, as well as approval document mentioned above.

The submitted documentation was reviewed by **Jorge M. Plasencia, P.E.**



*Jorge M. Plasencia*  
10/20/16

NOA No. 15-0827.08  
Expiration Date: December 20, 2017  
Approval Date: October 27, 2016  
Page 1

Continental Glass Systems, LLC

NOTICE OF ACCEPTANCE: EVIDENCE SUBMITTED

**A. DRAWINGS**

1. Manufacturer's die drawings and sections.  
*(Submitted under NOA No.07-0925.09)*
2. Drawing No **FXD-3100-LM**, Sheets 1 through 7 of 7, titled "Series 3100 Fixed Window Large Missile Impact", dated 09/18/07, with revision #4 dated 07/20/16, prepared by manufacturer, signed and sealed by Hermes F. Norero, P.E.

**B. TESTS**

1. Test reports on: 1) Air Infiltration Test, per FBC, TAS 202-94  
*Rate: 0.30 cfm @ 6.24 psf*
  - 2) Uniform Static Air Pressure Test, Loading per FBC TAS 202-94
  - 3) Water Resistance Test, per FBC, TAS 202-94
  - 4) Small Missile Impact Test per FBC, TAS 201-94
  - 5) Large Missile Impact Test per FBC, TAS 201-94
  - 6) Cyclic Wind Pressure Loading per FBC, TAS 203-94along with marked-up drawings and installation diagram of series 3100 aluminum window wall system, prepared by Fenestration Testing Laboratory, Inc., Test Report No. **FTL-5246**, dated 06/08/07, signed and sealed by Carlos S. Rionda, P.E.  
*(Submitted under NOA No.07-0925.09)*

**C. CALCULATIONS**


1. Anchor verification calculations and structural analysis, complying with **FBC-5<sup>th</sup> Edition (2014)**, dated 06/22/15 and revised on 07/13/16, prepared by Building Drops, Inc., signed and sealed by Hermes F. Norero, P.E.
2. Glazing complies with **ASTM E1300-09**

**D. QUALITY ASSURANCE**

1. Miami-Dade Department of Regulatory and Economic Resources (RER).

**E. MATERIAL CERTIFICATIONS**

1. Notice of Acceptance No. **14-0916.11** issued to **Kuraray America, Inc.** for their "**SentryGlas® (Clear and White) Glass Interlayers**" dated 06/25/15, expiring on 07/04/18.

  
\_\_\_\_\_  
Jorge M. Plasencia, P.E.  
Product Control Unit Supervisor  
NOA No. 15-0827.08  
Expiration Date: December 20, 2017  
Approval Date: October 27, 2016

**Continental Glass Systems, LLC**


**NOTICE OF ACCEPTANCE: EVIDENCE SUBMITTED**

**F. STATEMENTS**

1. Statement letter of conformance, complying with **FBC-5<sup>th</sup> Edition (2014)**, and of no financial interest, dated May 31, 2015, issued by Building Drops, Inc., signed and sealed by Hermes Norero, P.E.
2. Letter from manufacturer requesting name change from Continental Glass System, Inc. to **Continental Glass System, LLC**, dated April 4, 2016, signed by Samir Moussa, COO.
3. Assignment Agreement dated April 21, 2015 between **Continental Glass System, Inc.** a Florida Corporation (Assignor) and **Continental Glass System, LLC** a Delaware Limited Liability Company (Assignee) signed by Shlomo Epstein, (Assignor) and Samir Moussa (Assignee) and Paul L. Rudy III for Graham Architectural Products Corporation (the "Purchase Agreement").
4. Notification of Successor Engineer for manufacturer's NOA document per **Section 61G15-27.001** of the **Florida Administrative Code**, notifying original engineer that the successor engineer is assuming full professional and legal responsibility for all engineering documents pertaining to this NOA, dated June 22, 2015, signed and sealed by Hermes F. Norero, P.E.

**G. OTHERS**

1. Notice of Acceptance No. **12-1115.03**, issued to Continental Glass Systems, Inc. for their Series "3100" 10'1" Aluminum Window Wall System – L.M.I., approved on 03/07/13 and expiring on 12/20/17.

  
\_\_\_\_\_  
Jorge M. Plasencia, P.E.  
Product Control Unit Supervisor  
NOA No. 15-0827.08  
Expiration Date: December 20, 2017  
Approval Date: October 27, 2016

# HEAD RECEPTOR

## C.G.S. SERIES 3100 FIXED WINDOW WALL

### NOTES:

1. THIS FIXED WINDOW SYSTEM IS DESIGNED AND TESTED TO COMPLY WITH THE REQUIREMENTS OF THE 5TH EDITION FLORIDA BUILDING CODE (FBC) CHAPTER 16 AND 24, UNDER THE SPECIFIC CONDITION SHOWN ON THIS DRAWING. REF. FTL TEST No. 5246

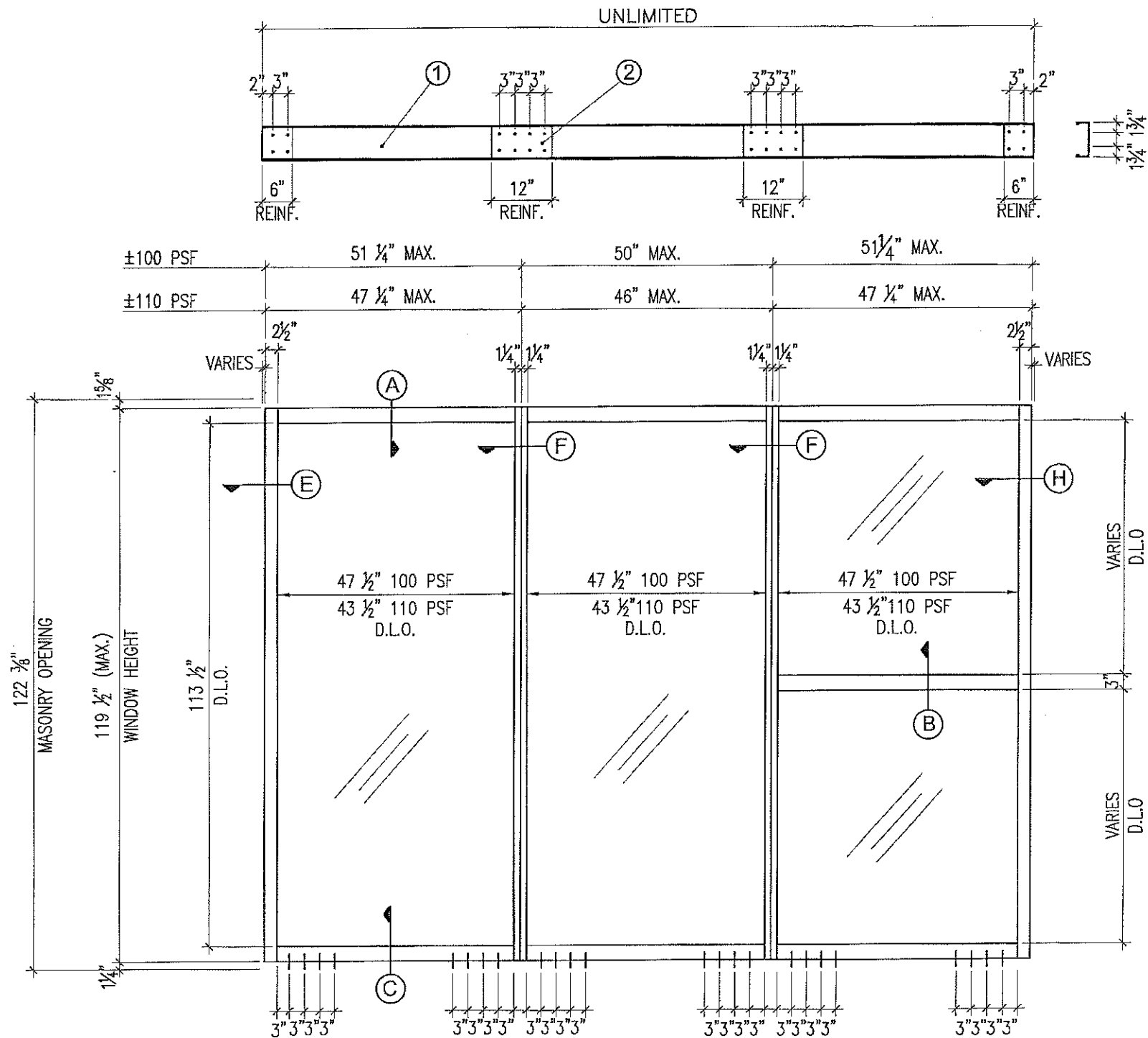
2. ALL EXTRUSIONS ARE ALUMINUM, 6005-T5 ALLOY, WITH A MINIMUM  $F_y$  OF 35000 P.S.I.

3. LARGE & SMALL MISSILE IMPACT: INSTALLATION WILL NOT REQUIRE A HURRICANE PROTECTION SYSTEM.

4. ALL INSTALLATION ANCHORS ARE  $\frac{5}{16}$ " ELCO ULTRACONS.  $1\frac{3}{4}$ " MIN. EMBEDMENT INTO 3515 PSI CONCRETE OR BETTER.

5. SHIMS. USE HARD PLASTIC.

6. APPROVED STRUCTURAL SILICONE:  
 A) 795 DOW CORNING  
 B) SCS 2000 BY TREMCO  
 C) PROGLAZE SSG BY TREMCO



FIXED WINDOW ELEVATION  
EXTERIOR VIEW

DESIGN LOAD CAPACITY (P.S.F.)		MAXIMUM D.L.O. WIDTH	MAXIMUM WINDOW WIDTH
POSITIVE	NEGATIVE		
110	110	43 1/2"	46
100	100	47 1/2"	50

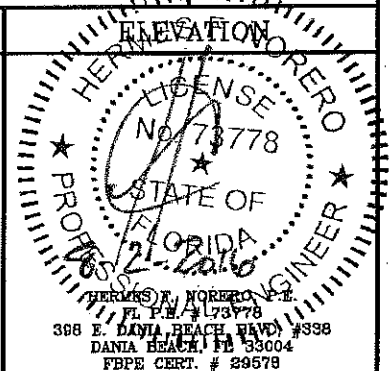
Continental Glass Systems, LLC.  
 325 West 74 Place  
 Hialeah Florida, 33014  
 Phone 305-231-1101 Fax 305-231-1103

Series 3100  
 FIXED WINDOW  
 LARGE MISSILE  
 IMPACT

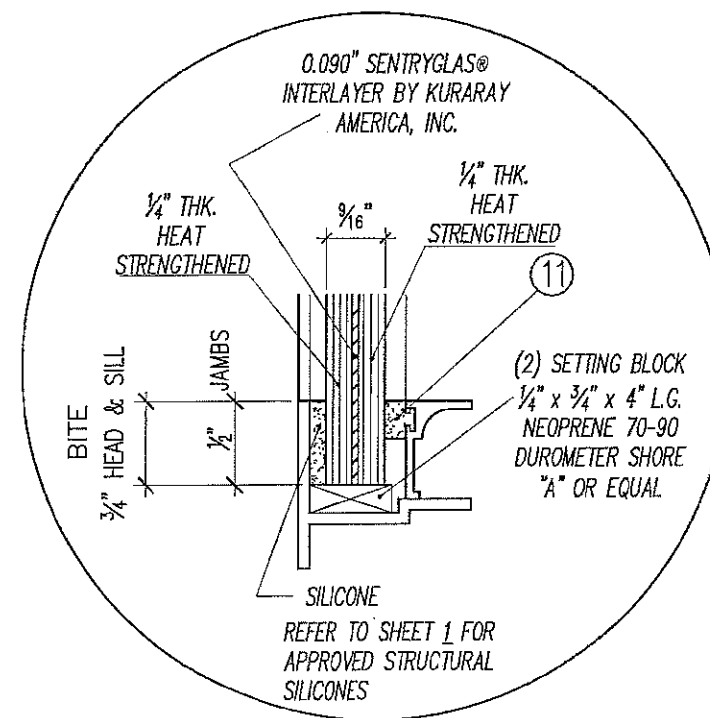
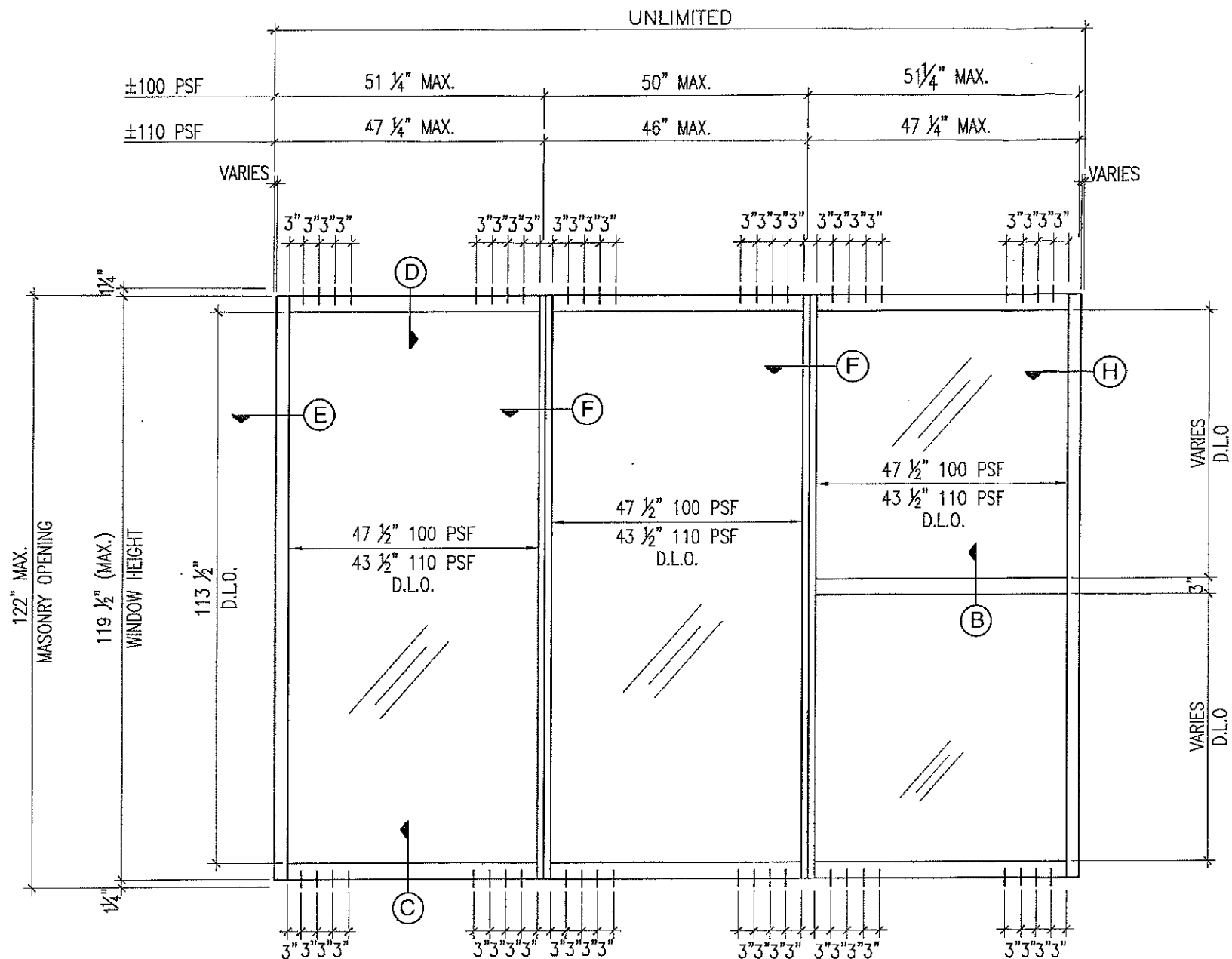
REVISION	No	Date	By	Description
	1	9-18-07	B.C.C.O.	
	2	10/16/13	REVISION	
	3	5/14/15	SM	FBC CODE UPDATE
	4	07/20/16	SM	E.O.R. CHANGE

Date: SEP-18-07  
 Scale:  
 Design by: G. S.  
 Drawing by: RICHARD  
 Checked by: G. S.  
 Drawing No.: FXD-3100-LM  
 Sheet 1 of 7

APPROVED  
**PRODUCT REVISED**  
 as complying with the Florida Building Code  
 NOA-No. **15-0827.08**  
 Expiration Date **12/20/2017**  
 By *[Signature]*  
 Miami-Dade Product Control



# HEAD STANDARD FRAME



GLAZING DETAIL

FIXED WINDOW ELEVATION  
EXTERIOR VIEW

DESIGN LOAD CAPACITY (P.S.F.)		MAXIMUM D.L.O. WIDTH	MAXIMUM WINDOW WIDTH
POSITIVE	NEGATIVE		
110	110	43 1/2"	46
100	100	47 1/2"	50

Continental Glass Systems, LLC.

325 West 74 Place  
Hialeah, Florida, 33014

Phone 305-231-1101 Fax 305-231-1103

Series 3100  
FIXED WINDOW  
LARGE MISSILE  
IMPACT

REVISION		
No	Date	Description
1	9-18-07	B.C.C.O.
2	10/16/12	REVISION
3	07/20/16	SM/MD RFR COMMENT

Date	SEP-18-07
Scale	
Design by	C. S.
Drawing by	RICHARD
Checked by	G. S.
Drawing No.	FXD-3100-LM
Sheet	2 of 7

APPROVED

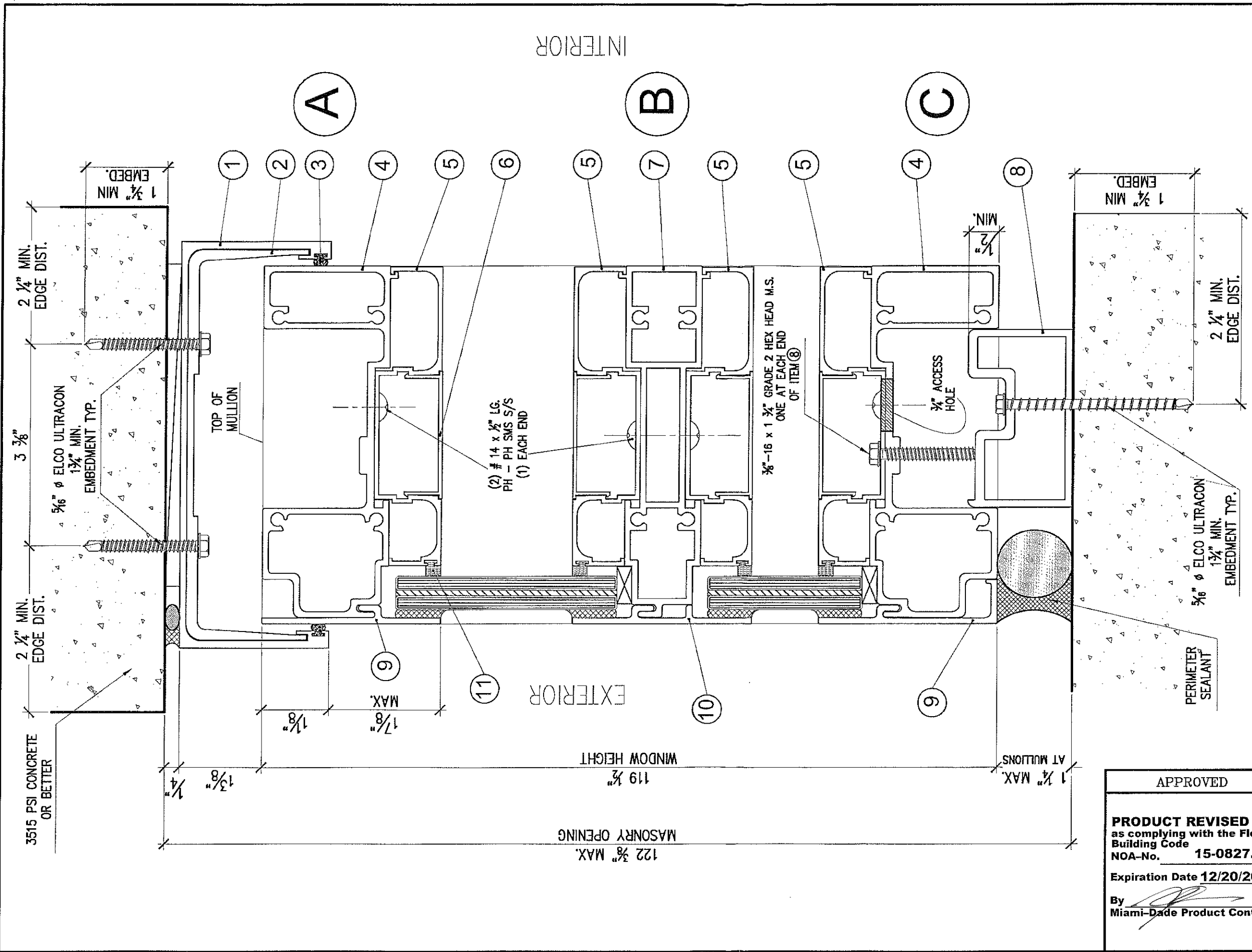
**PRODUCT REVISED**  
as complying with the Florida  
Building Code  
NOA-No. **15-0827.08**  
Expiration Date **12/20/2017**

By **Miami-Dade Product Control**

ELEVATION

HERMES F. NORRERO  
No. 73778  
LICENSE  
STATE OF  
FLORIDA  
PROFESSIONAL ENGINEER  
2016

HERMES F. NORRERO, P.E.  
FL No. 73778  
398 E. DANIA BEACH BLVD #338  
DANIA BEACH, FL 33004  
FBPE CERT. # 29576



WINDOW SECTIONS WITH HEAD RECEPTOR

REVISION	
No	Date By Description
1	8-18-07 B.C.C.O.
2	10/16/12 REVISION
3	07/20/16 SM MD RER

Date SEP-18-07

Scale N.T.S.

Design by G.S.

Drawing by RICHARD

Checked by G.S.

Drawing No. FXD-3100-LM

Sheet 3 of 7

APPROVED

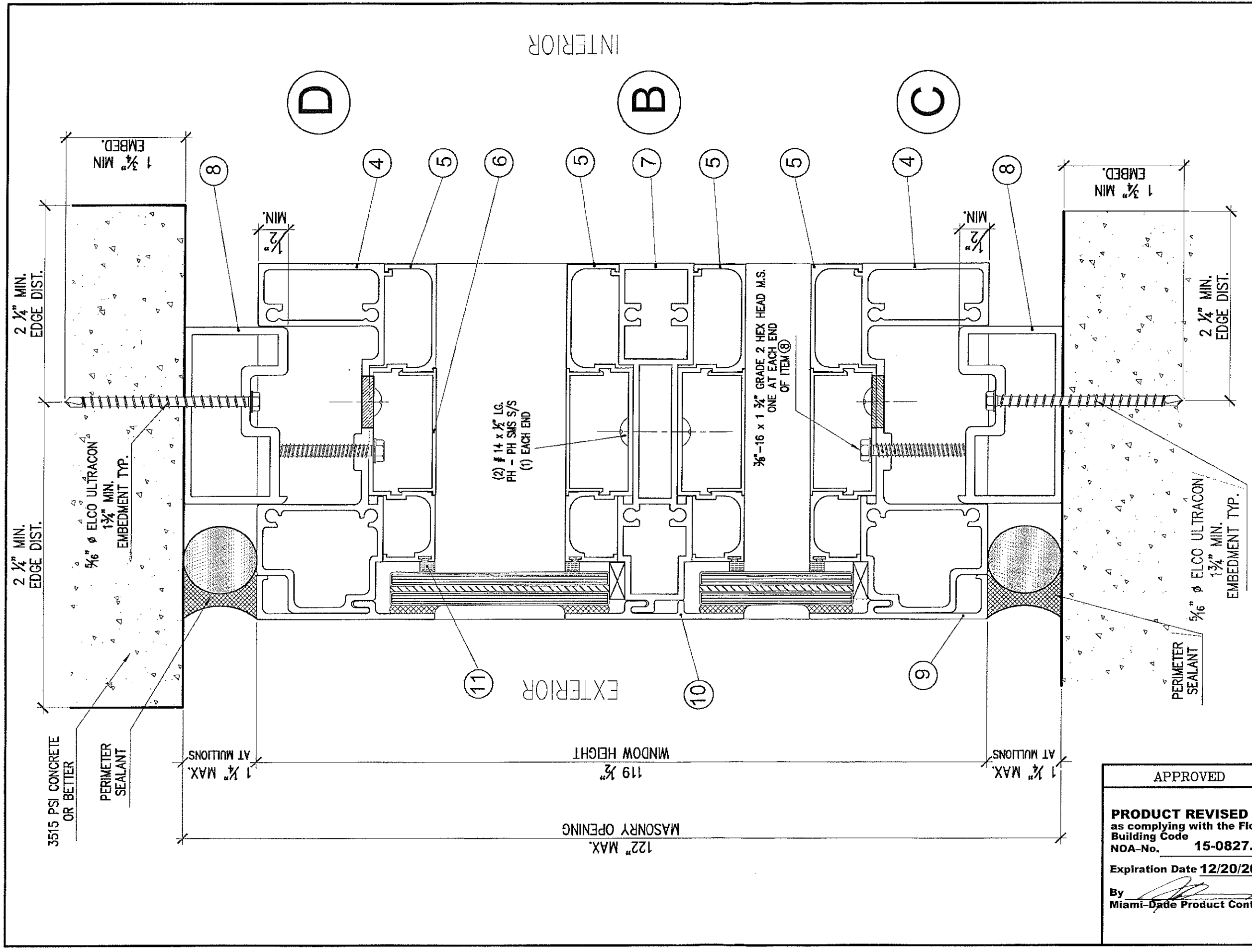
**PRODUCT REVISED**  
as complying with the Florida Building Code  
NOA-No. **15-0827.08**  
Expiration Date **12/20/2017**  
By *[Signature]*  
Miami-Dade Product Control

HERMES F. MORENO  
LICENSE  
No. 73778  
STATE OF FLORIDA  
REGISTERED PROFESSIONAL ENGINEER  
2020/6

HERMES F. MORENO, P.E.  
FL. P.E. # 73778  
388 W. DANIA BEACH BLVD.  
DANIA BEACH, FL 33004  
FSP# 2293 IN #278

Continental Glass Systems, LLC.  
325 West 74 Place  
Hialeah Florida, 33014  
Phone 305-231-1101 Fax 305-231-1103

Series 3100  
FIXED WINDOW  
LARGE MISSILE  
IMPACT



WINDOW SECTIONS  
WITHOUT HEAD RECEPTOR

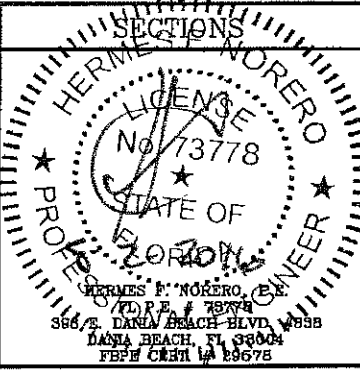
REVISION	
No	Date
1	8-18-07
2	10/18/12
3	07/25/16

Date: SEP-19-07  
Scale: N.T.S.  
Design by: C. S.  
Drawing by: RICHARD  
Checked by: C. S.  
Drawing No.: FXD-3100-LM  
Sheet 4 of 7

APPROVED

**PRODUCT REVISED**  
as complying with the Florida  
Building Code  
NOA-No. 15-0827.08  
Expiration Date 12/20/2017

By \_\_\_\_\_  
Miami-Dade Product Control



Continental Glass Systems, LLC.  
325 West 74 Place  
Hialeah Florida, 33014  
Phone 305-231-1101 Fax 305-231-1103

Series 3100  
FIXED WINDOW  
LARGE MISSILE  
IMPACT

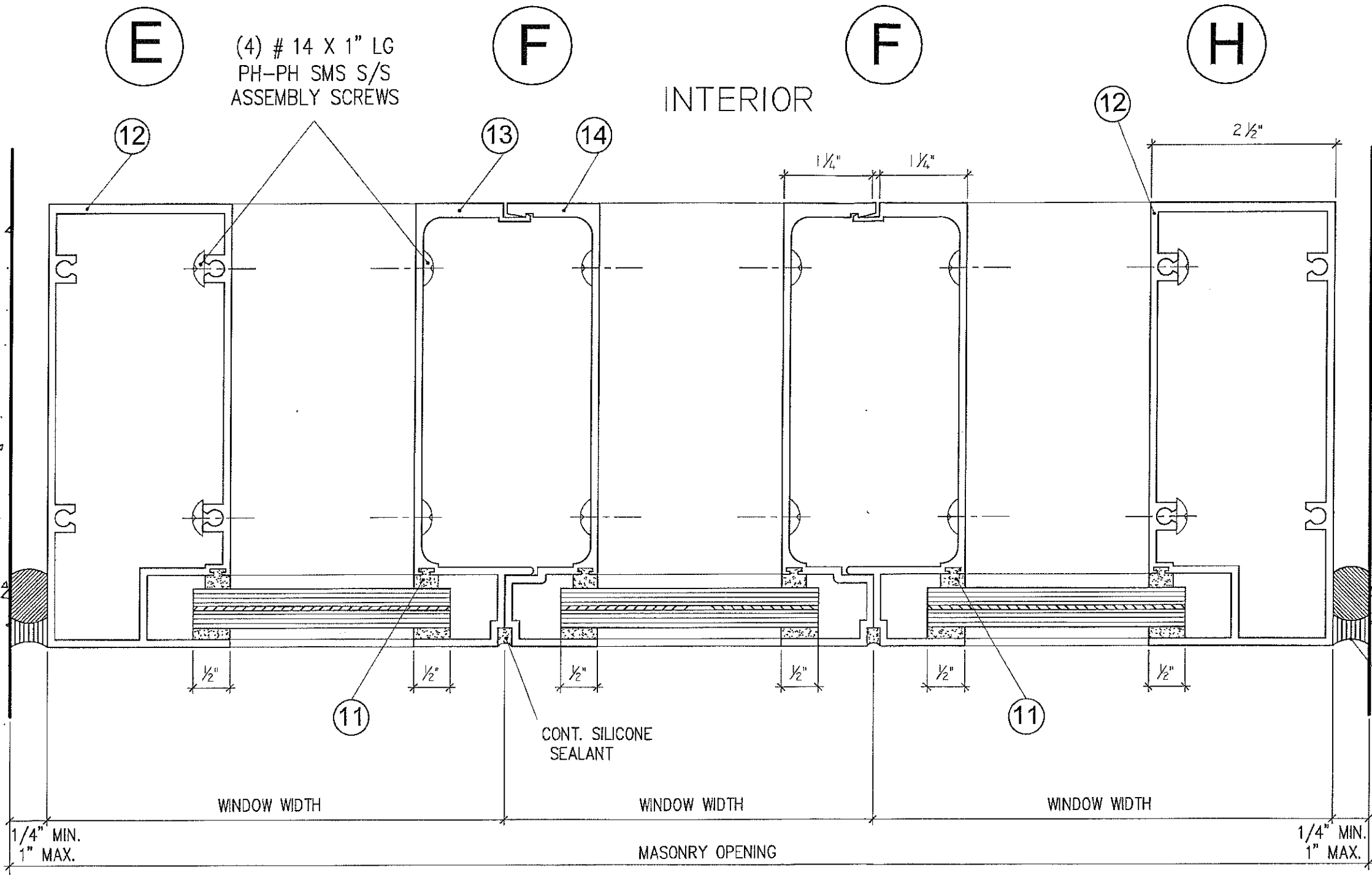
Continental Glass Systems, LLC.  
 325 West 74 Place  
 Hialeah Florida, 33014  
 Phone 305-231-1101 Fax 305-231-1103

Series 3100  
 FIXED WINDOW  
 LARGE MISSILE  
 IMPACT

REVISION	
No	Date
1	9-18-07
2	10/18/12
3	07/20/16

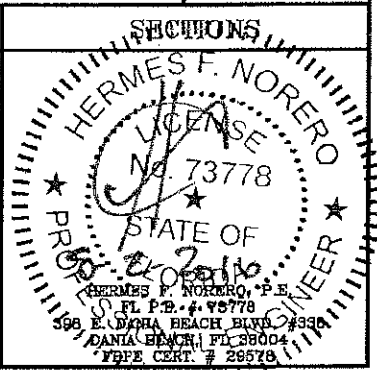
  

Date	SEP-18-07
Scale	
Design by	G. S.
Drawing by	RICHARD
Checked by	G. S.
Drawing No.	FXD-3100-LM
Sheet	5 of 7



**NOTES:**  
 1. BACKER ROD DIAMETER EQUALS SEALANT WIDTH x 120%  
 2. SEALANT WIDTH TO DEPTH RATIO SHALL BE 2:1.

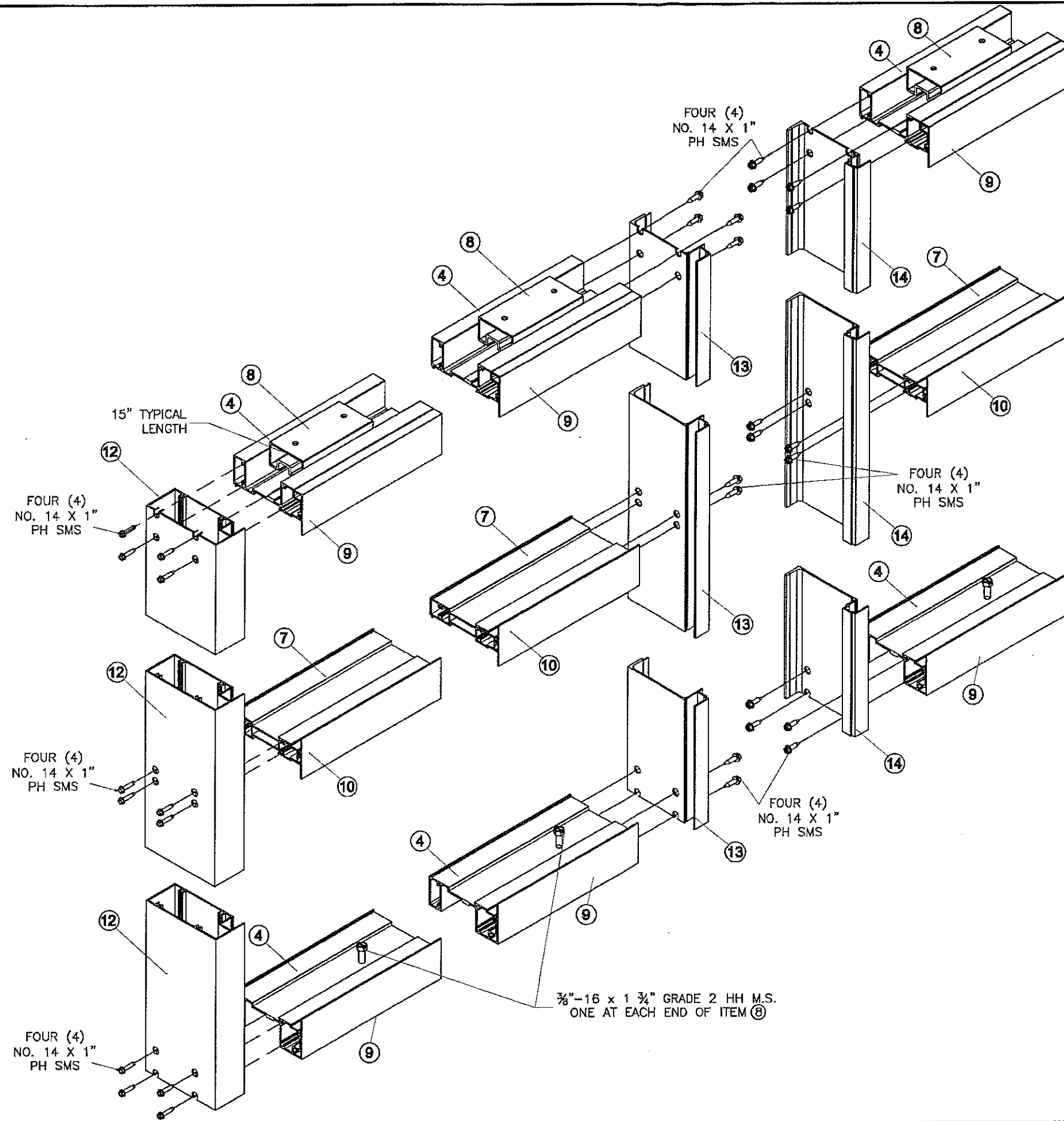
APPROVED  
**PRODUCT REVISED**  
 as complying with the Florida Building Code  
 NOA-No. **15-0827.08**  
 Expiration Date **12/20/2017**  
 By *[Signature]*  
 Miami-Dade Product Control



INTERIOR

EXTERIOR





Continental Glass Systems, LLC.  
 325 West 74 Place  
 Hialeah Florida, 33014  
 Phone 305-231-1101 Fax 305-231-1103

Series 3100  
 FIXED WINDOW  
 LARGE MISSILE  
 IMPACT

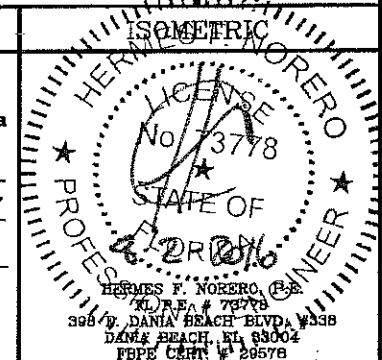
REVISION	
No	Date
1	9-16-07
2	10/18/12
3	07/20/16

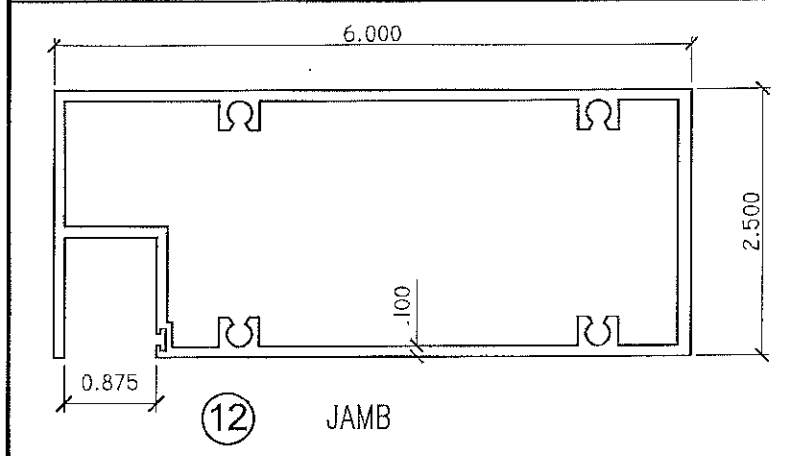
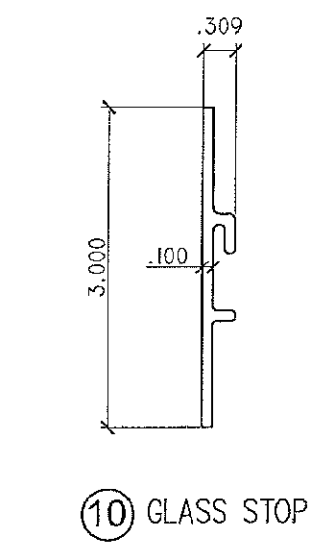
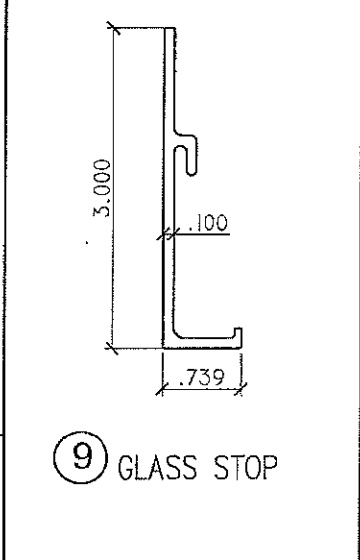
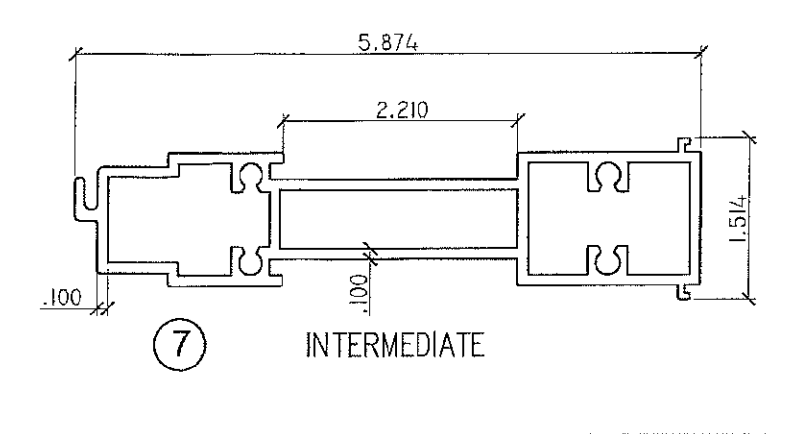
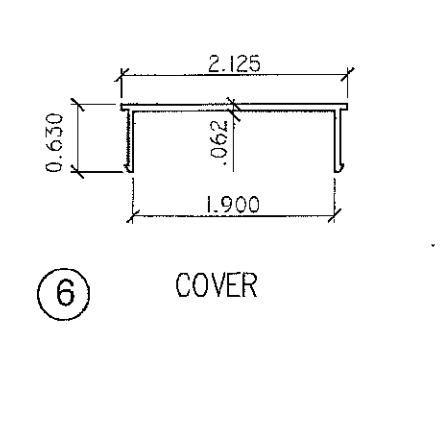
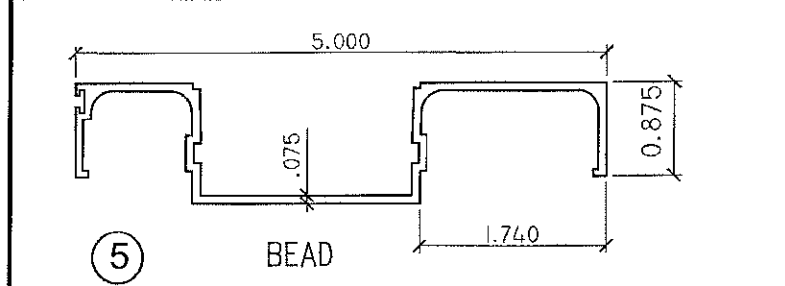
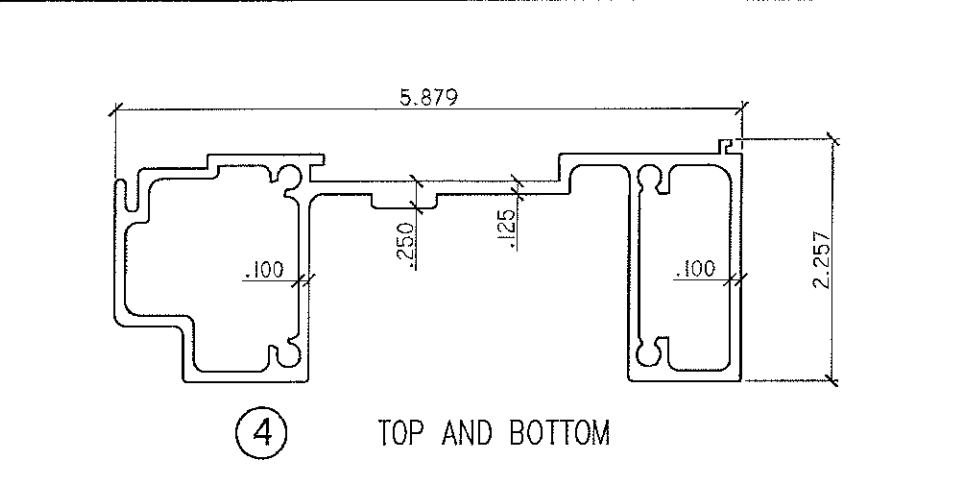
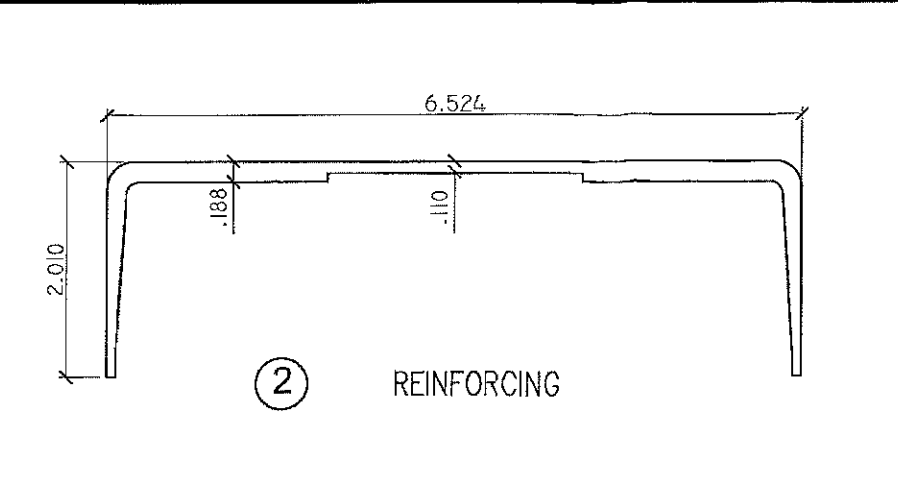
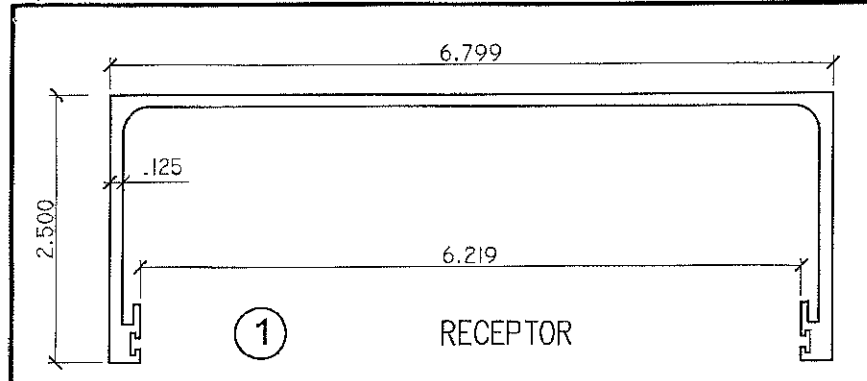
Date: SEP-18-07  
 Scale:  
 Design by: G. S.  
 Drawing by: RICHARD  
 Checked by: G. S.  
 Drawing No.: FXD-3100-LM  
 Sheet 6 of 7

APPROVED

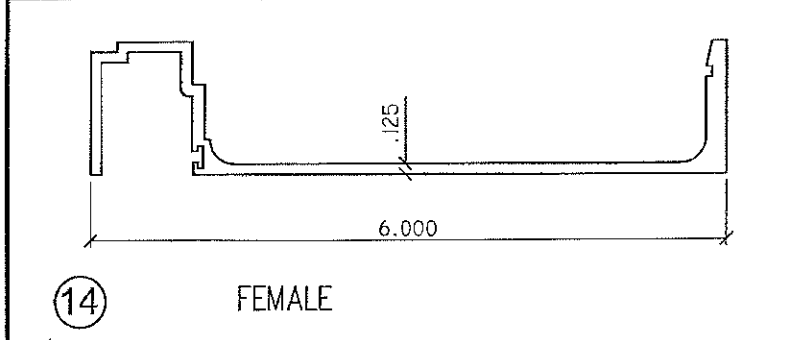
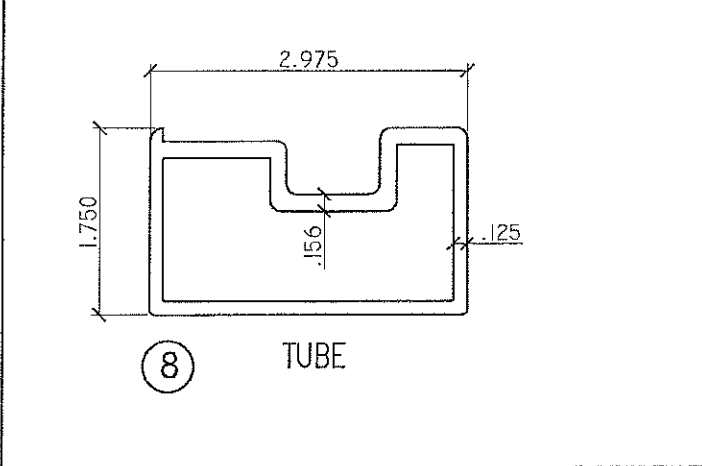
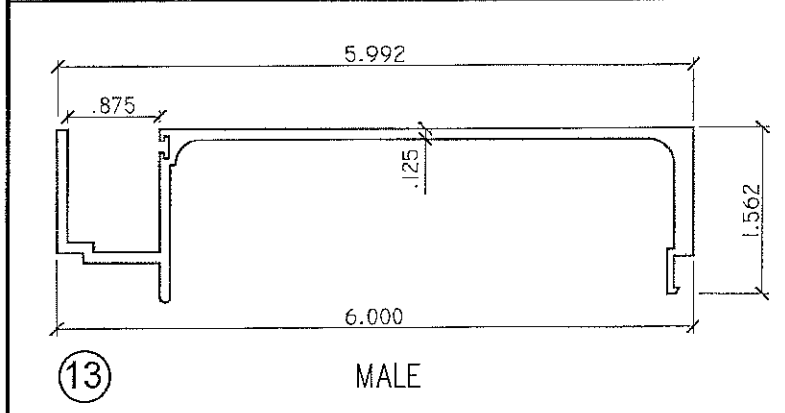
**PRODUCT REVISED**  
 as complying with the Florida Building Code  
 NOA-No. **15-0827.08**  
 Expiration Date **12/20/2017**

By: *[Signature]*  
 Miami-Dade Product Control





ITEM #	PART NUMBER	PART NAME	ALLOY & TEMPERED
1	2000 - 07	RECEPTOR	6005-T5
2	2000 - 16	REINFORCING LENGTH 12"	6005-T5
3	FP-448-V	VINYL BULB	PROTOTYPE
4	3000 - 08	TOP & BOTTOM	6005-T5
5	3000 - 03	BEAD	6005-T5
6	3000 - 07	COVER	6005-T5
7	3000 - 10	INTERMEDIATE	6005-T5
8	3000 - 12	TUBE LENGTH 15"	6005-T5
9	3000 - 09	GLASS STOP	6005-T5
10	3000 - 11	GLASS STOP	6005-T5
11	CGS - 01	GLASS SPACER	PROTOTYPE
12	3000 - 09	JAMB	6005-T5
13	3000 - 05	MALE	6005-T5
14	3000 - 06	FEMALE	6005-T5



Continental Glass Systems, LLC.  
325 West 74 Place  
Hialeah Florida, 33014  
Phone 305-231-1101 Fax 305-231-1103

Series 3100  
FIXED WINDOW  
LARGE MISSILE  
IMPACT

REVISION		Date	By	Description
1		9-18-07		B.C.C.O.
2		10/15/12		REVISION
3		07/20/18	SM	MD REF COMMENTS

Date: SEP-18-07  
Scale:  
Design by: G. S.  
Drawing by: RICHARD  
Checked by: G. S.  
Drawing No.: FXD-3100-LM  
Sheet 7 of 7

APPROVED  
**PRODUCT REVISED**  
as complying with the Florida  
Building Code  
NOA-No. **15-0827-08**  
Expiration Date **12/20/2017**  
By *[Signature]*  
Miami-Dade Product Control

EXTRUSIONS AND PARTS  
HERMES F. NORERO  
LICENSE  
No. 73778  
STATE OF FLORIDA  
REGISTERED PROFESSIONAL ENGINEER  
HERMES F. NORERO, P.E.  
No. 73778  
388 N. DANIA BEACH BLVD., #308  
DANIA BEACH, FL 33004  
F.P.S. CERT. 14 28878