



DEPARTMENT OF REGULATORY AND ECONOMIC RESOURCES (RER)
BOARD AND CODE ADMINISTRATION DIVISION

MIAMI-DADE COUNTY
PRODUCT CONTROL SECTION
11805 SW 26 Street, Room 208
T (786) 315-2590 F (786) 315-2599
www.miamidade.gov/economy

NOTICE OF ACCEPTANCE (NOA)

Continental Glass Systems, LLC
325 West 74 Place
Hialeah, FL 33014

SCOPE:

This NOA is being issued under the applicable rules and regulations governing the use of construction materials. The documentation submitted has been reviewed and accepted by Miami-Dade County RER - Product Control Section to be used in Miami Dade County and other areas where allowed by the Authority Having Jurisdiction (AHJ).

This NOA shall not be valid after the expiration date stated below. The Miami-Dade County Product Control Section (In Miami-Dade County) and/or the AHJ (in areas other than Miami-Dade County) reserve the right to have this product or material tested for quality assurance purposes. If this product or material fails to perform in the accepted manner, the manufacturer will incur the expense of such testing and the AHJ may immediately revoke, modify, or suspend the use of such product or material within their jurisdiction. RER reserves the right to revoke this acceptance, if it is determined by Miami-Dade County Product Control Section that this product or material fails to meet the requirements of the applicable building code.

This product is approved as described herein, and has been designed to comply with the Florida Building Code, including the High Velocity Hurricane Zone.-

DESCRIPTION: Series "3100" 10'1" Aluminum Window Wall System - S.M.I.

APPROVAL DOCUMENT: Drawing No. **FXD-3100-SM**, titled "Series 3100 Fixed Window Small Missile Impact", sheets 1 through 8 of 8, dated 09/18/07 with revision #4 dated 07/20/16, prepared by manufacturer, signed and sealed by Hermes F. Norero, P.E., bearing the Miami-Dade County Product Control Revision stamp with the Notice of Acceptance number and expiration date by the Miami-Dade County Product Control Section.

MISSILE IMPACT RATING: Small Missile Impact Resistant

LIMITATION: Refer to evidence page E-1 for air infiltration rate.

LABELING: Each unit shall bear a permanent label with the manufacturer's name or logo, city, state, model/series, and following statement: "Miami-Dade County Product Control Approved", unless otherwise noted herein.

RENEWAL of this NOA shall be considered after a renewal application has been filed and there has been no change in the applicable building code negatively affecting the performance of this product.

TERMINATION of this NOA will occur after the expiration date or if there has been a revision or change in the materials, use, and/or manufacture of the product or process. Misuse of this NOA as an endorsement of any product, for sales, advertising or any other purposes shall automatically terminate this NOA. Failure to comply with any section of this NOA shall be cause for termination and removal of NOA.

ADVERTISEMENT: The NOA number preceded by the words Miami-Dade County, Florida, and followed by the expiration date may be displayed in advertising literature. If any portion of the NOA is displayed, then it shall be done in its entirety.

INSPECTION: A copy of this entire NOA shall be provided to the user by the manufacturer or its distributors and shall be available for inspection at the job site at the request of the Building Official.

This NOA revises **NOA# 12-1115.04** and consists of this page 1 and evidence pages E-1 and E-2, as well as approval document mentioned above.

The submitted documentation was reviewed by **Jorge M. Plasencia, P.E.**



Jorge M. Plasencia
10/20/2015

NOA No. 15-0827.09
Expiration Date: December 20, 2017
Approval Date: October 27, 2016
Page 1

Continental Glass Systems, LLC

NOTICE OF ACCEPTANCE: EVIDENCE SUBMITTED

A. DRAWINGS

1. Manufacturer's die drawings and sections.
(Submitted under NOA# 07-0925.10)
2. Drawing No **FXD-3100-SM**, titled "Series 3100 Fixed Window Small Missile Impact", sheets 1 through 8 of 8, dated 09/18/07, with revision #4 dated 07/20/16, prepared by manufacturer, signed and sealed by Hermes F. Norero, P.E.

B. TESTS

1. Test reports on: 1) Air Infiltration Test, per FBC, TAS 202-94
Rate: 0.30 cfm @ 6.24 psf
 - 2) Uniform Static Air Pressure Test, Loading per FBC, TAS 202-94
 - 3) Water Resistance Test, per FBC, TAS 202-94
 - 4) Small Missile Impact Test per FBC, TAS 201-94
 - 5) Large Missile Impact Test per FBC, TAS 201-94
 - 6) Cyclic Wind Pressure Loading per FBC, TAS 203-94along with marked-up drawings and installation diagram of a Series 3100 aluminum window wall system, prepared by Fenestration Testing Laboratory, Inc., Test Report No. **FTL-5246**, dated 06/08/07, signed and sealed by Carlos S. Rionda, P.E.
(Submitted under NOA# 07-0925.10)

C. CALCULATIONS


1. Anchor verification calculations and structural analysis, complying with **FBC-5th Edition (2014)**, dated 05/20/15 and revised 07/13/16, prepared by Building Drops, Inc., signed and sealed by Hermes F. Norero, P.E.
2. Glazing complies with **ASTM E1300-09**

D. QUALITY ASSURANCE

1. Miami-Dade Department of Regulatory and Economic Resources (RER).

E. MATERIAL CERTIFICATIONS

1. Notice of Acceptance No. **15-1201.11** issued to **Eastman Chemical Company (MA)** for their "**Saflex Clear and Color Glass Interlayers**" dated 03/17/16, expiring on 05/21/21.


Jorge M. Plasencia, P.E.
Product Control Unit Supervisor
NOA No. 15-0827.09
Expiration Date: December 20, 2017
Approval Date: October 27, 2016

Continental Glass Systems, LLC


NOTICE OF ACCEPTANCE: EVIDENCE SUBMITTED

F. STATEMENTS

1. Statement letter of conformance, complying with **FBC-5th Edition (2014)**, and of no financial interest, dated May 31, 2015, issued by Building Drops, Inc., signed and sealed by Hermes Norero, P.E.
2. Letter from manufacturer requesting name change from Continental Glass System, Inc. to **Continental Glass System, LLC**, dated April 4, 2016, signed by Samir Moussa, COO.
3. Assignment Agreement dated April 21, 2015 between **Continental Glass System, Inc.** a Florida Corporation (Assignor) and **Continental Glass System, LLC** a Delaware Limited Liability Company (Assignee) signed by Shlomo Epstein, (Assignor) and Samir Moussa (Assignee) and Paul L. Rudy III for Graham Architectural Products Corporation (the "Purchase Agreement").
4. Notification of Successor Engineer for manufacturer's NOA document per **Section 61G15-27.001** of the **Florida Administrative Code**, notifying original engineer that the successor engineer is assuming full professional and legal responsibility for all engineering documents pertaining to this NOA, dated June 22, 2015, signed and sealed by Hermes F. Norero, P.E.

G. OTHERS

1. Notice of Acceptance No. **12-1115.04**, issued to Continental Glass Systems, Inc. for their Series "3100" 10'1" Aluminum Window Wall System – S.M.I., approved on 03/07/13 and expiring on 12/20/17.



Jorge M. Plasencia, P.E.
Product Control Unit Supervisor
NOA No. 15-0827.09
Expiration Date: December 20, 2017
Approval Date: October 27, 2016

HEAD RECEPTOR

C.G.S. SERIES 3100 FIXED WINDOW WALL

NOTES:

- THIS FIXED WINDOW SYSTEM IS DESIGNED AND TESTED TO COMPLY WITH THE REQUIREMENTS OF THE 5TH EDITION FLORIDA BUILDING CODE (FBC) CHAPTER 16 AND 24, UNDER THE SPECIFIC CONDITION SHOWN ON THIS DRAWING. REF. FTL TEST No. 5246
- ALL EXTRUSIONS ARE ALUMINUM, 6005-T5 ALLOY, WITH A MINIMUM Fy OF 35.000 P.S.I.
- SMALL MISSILE IMPACT: INSTALLATION UP TO 30 FT ABOVE GRADE WILL REQUIRE A HURRICANE PROTECTION SYSTEM. BUT FOR INSTALLATION ABOVE 30 FT ABOVE GRADE WILL NOT REQUIRE A HURRICANE PROTECTION SYSTEM.
- ALL INSTALLATION ANCHORS ARE $\frac{5}{16}$ " ϕ ELCO ULTRACONS. $1\frac{3}{4}$ " MIN. EMBEDMENT INTO 3515 PSI CONCRETE OR BETTER.
- SHIMS. USE HARD PLASTIC.
- APPROVED STRUCTURAL SILICONE:
 - 795 DOW CORNING
 - SCS 2000 BY GE
 - PROGLAZE SSG BY TREMCO
 - DOW CORNING CONTRACTORS WEATHERPROOFING SEALANT

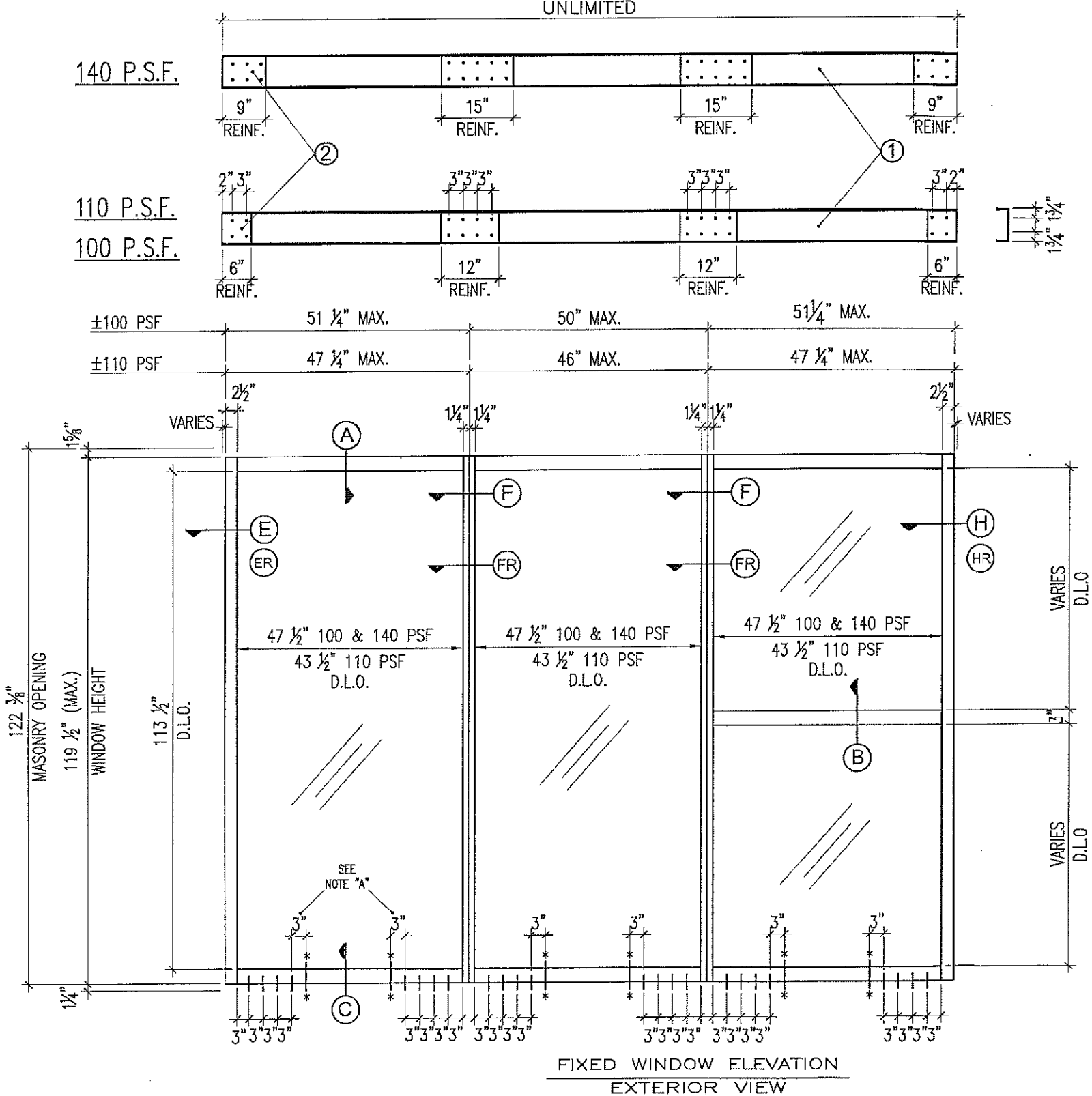
Continental Glass Systems, LLC.
 325 West 74 Place
 Hialeah Florida, 33014
 Phone 305-231-1101 Fax 305-231-1103

Series 3100
 FIXED WINDOW
 SMALL MISSILE
 IMPACT

REVISION	
No	Date
1	8-18-07
2	10/18/12
3	5/14/16
4	07/20/16

By Description
 E.C.C.O. REVISION
 FBC CODE UPDATE
 & E.O.R. CHANGE
 SM MD RFR COMMENT

Date SEP-18-07
 Scale
 Design by G.S.
 Drawing by RICHARD
 Checked by G.S.
 Drawing No. FXD-3100-SM
 Sheet 1 of 8



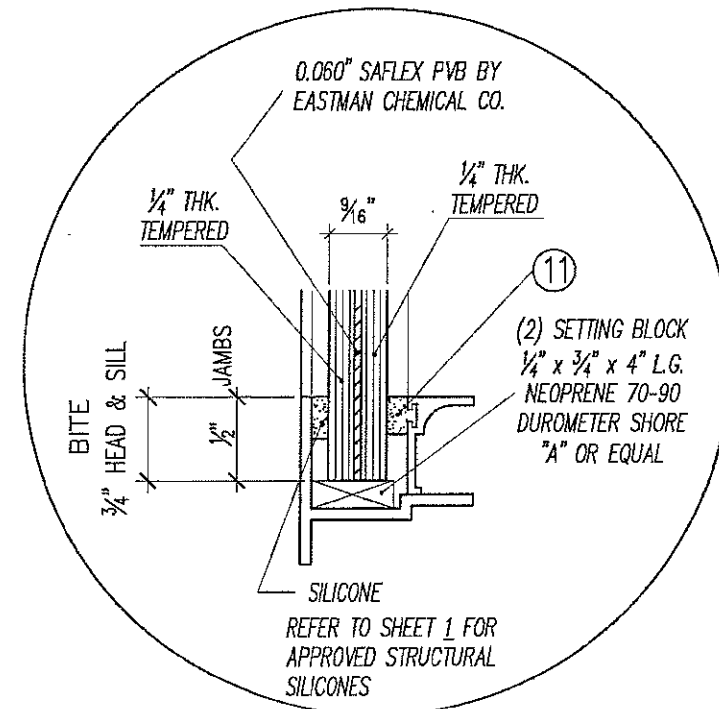
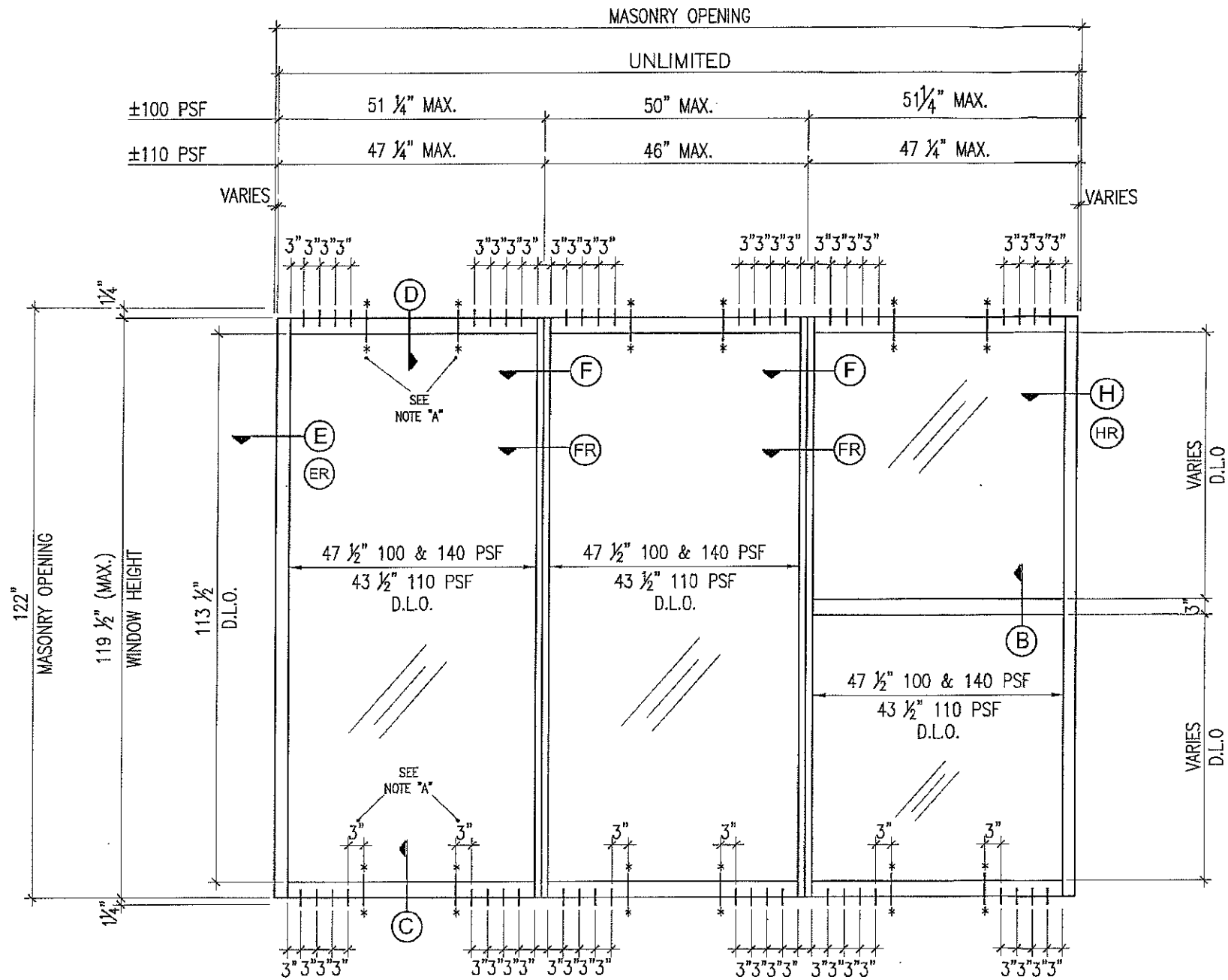
FIXED WINDOW ELEVATION
 EXTERIOR VIEW

DESIGN LOAD CAPACITY (P.S.F.)		MULLION REINFORCING CHANNELS	MAXIMUM D.L.O. WIDTH	MAXIMUM WINDOW WIDTH
POSITIVE	NEGATIVE			
110	110	NO	43 1/2"	46
140	140	YES	47 1/2"	50
100	100	NO	47 1/2"	50

NOTE "A"
 † ADD (2) ANCHORS TO EACH PANEL WHEN LOAD = 140 P.S.F.
 ‡ ITEM (8) IS 18" LONG

APPROVED	ELEVATION
PRODUCT REVISED as complying with the Florida Building Code NOA-No. 15-0827.09 Expiration Date 12/20/2017 By <i>[Signature]</i> Miami-Dade Product Control	HERMES TORERO LICENSE No. 73178 STATE OF FLORIDA PROFESSIONAL ENGINEER 388 E. DANIA BEACH BLVD #388 DANIA BEACH, FL 33004 FBPE CERT. # 29678

HEAD STANDARD FRAME



GLAZING DETAIL

FIXED WINDOW ELEVATION
EXTERIOR VIEW

DESIGN LOAD CAPACITY (P.S.F.)		MULLION REINFORCING CHANNELS	MAXIMUM D.L.O. WIDTH	MAXIMUM WINDOW WIDTH
POSITIVE	NEGATIVE			
110	110	NO	43 1/2"	46
140	140	YES	47 1/2"	50
100	100	NO	47 1/2"	50

NOTE "A"

ADD (2) ANCHORS TO EACH PANEL WHEN LOAD = 140 P.S.F.
ITEM ⑧ IS 18" LONG

Continental Glass Systems, LLC.
325 West 74 Place
Hialeah Florida, 33014
Phone 305-231-1101 Fax 305-231-1103

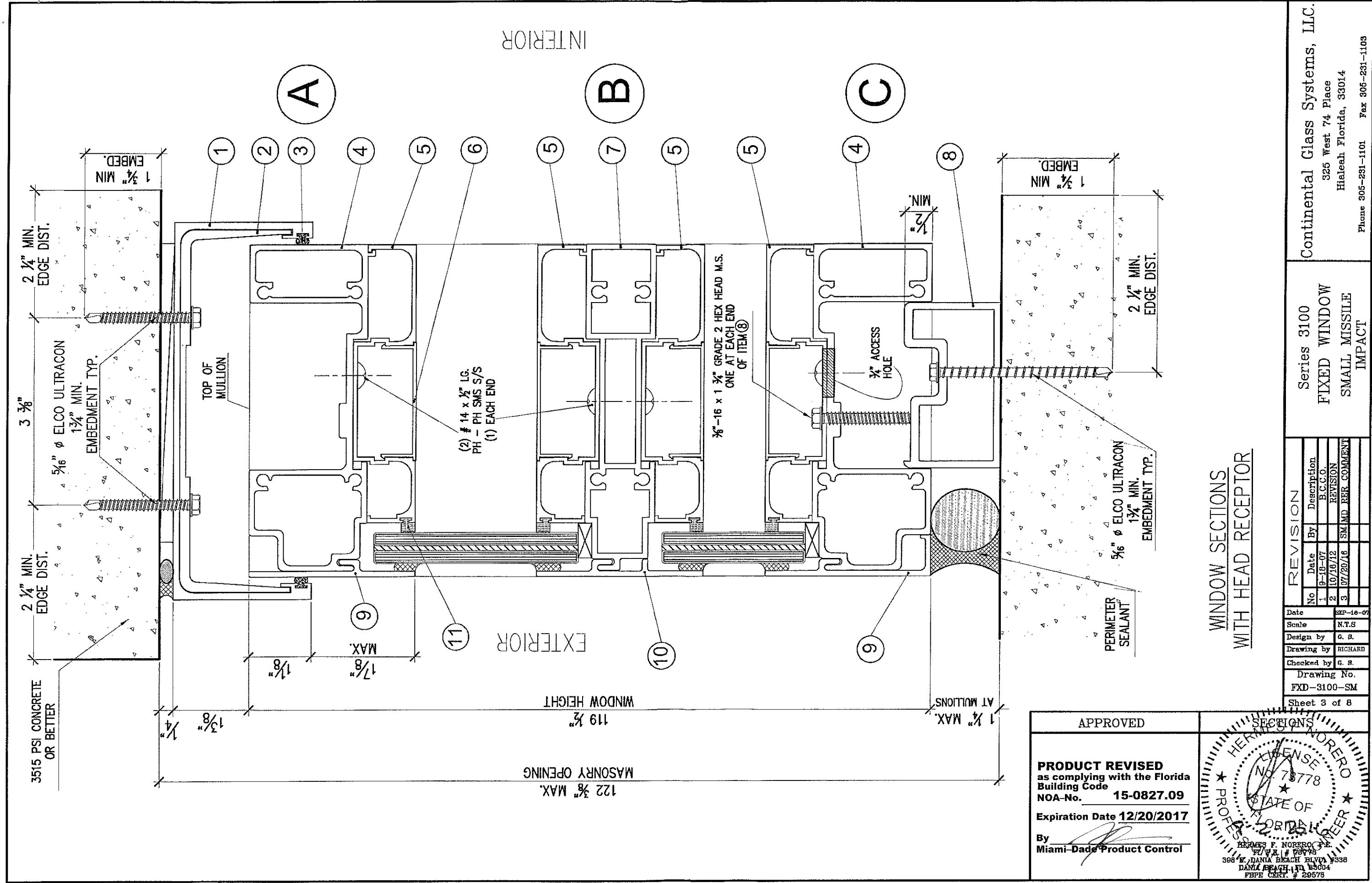
Series 3100
FIXED WINDOW
SMALL MISSILE
IMPACT

REVISION		Date	Description
No.	By		
1		9-18-07	B.C.C.O.
2		10/16/13	REVISION
3		07/20/16	SM MD PER COMMENT

Date: SEP-18-07
Scale:
Design by: G. S.
Drawing by: RICHARD
Checked by: G. S.
Drawing No.: FXD-3100-SM
Sheet 2 of 6

APPROVED
PRODUCT REVISED
as complying with the Florida Building Code
NOA-No. **15-0827.09**
Expiration Date **12/20/2017**
By *[Signature]*
Miami-Dade Product Control

ELEVATION
HERNANDEZ NORRERO
LICENSE
No. 73178
STATE OF FLORIDA
PROFESSIONAL ENGINEER
HERNANDEZ NORRERO, P.E.
FL No. E-78778
398 E. PANAMA BEACH, #338
DANIA BEACH, FL 33004
FPEP CERT. # 29578



Continental Glass Systems, LLC.
 325 West 74 Place
 Hialeah Florida, 33014
 Phone 305-231-1101 Fax 305-231-1103

Series 3100
 FIXED WINDOW
 SMALL MISSILE
 IMPACT

REVISION	
No	Description
1	9-16-07 B.C.C.O.
2	10/16/12 REVISION
3	07/20/16 SM/MD RFR COMMENT

Date	SEP-16-07
Scale	N.T.S.
Design by	G.S.
Drawing by	RICHARD
Checked by	G.S.
Drawing No.	FXD-3100-SM
Sheet	3 of 8

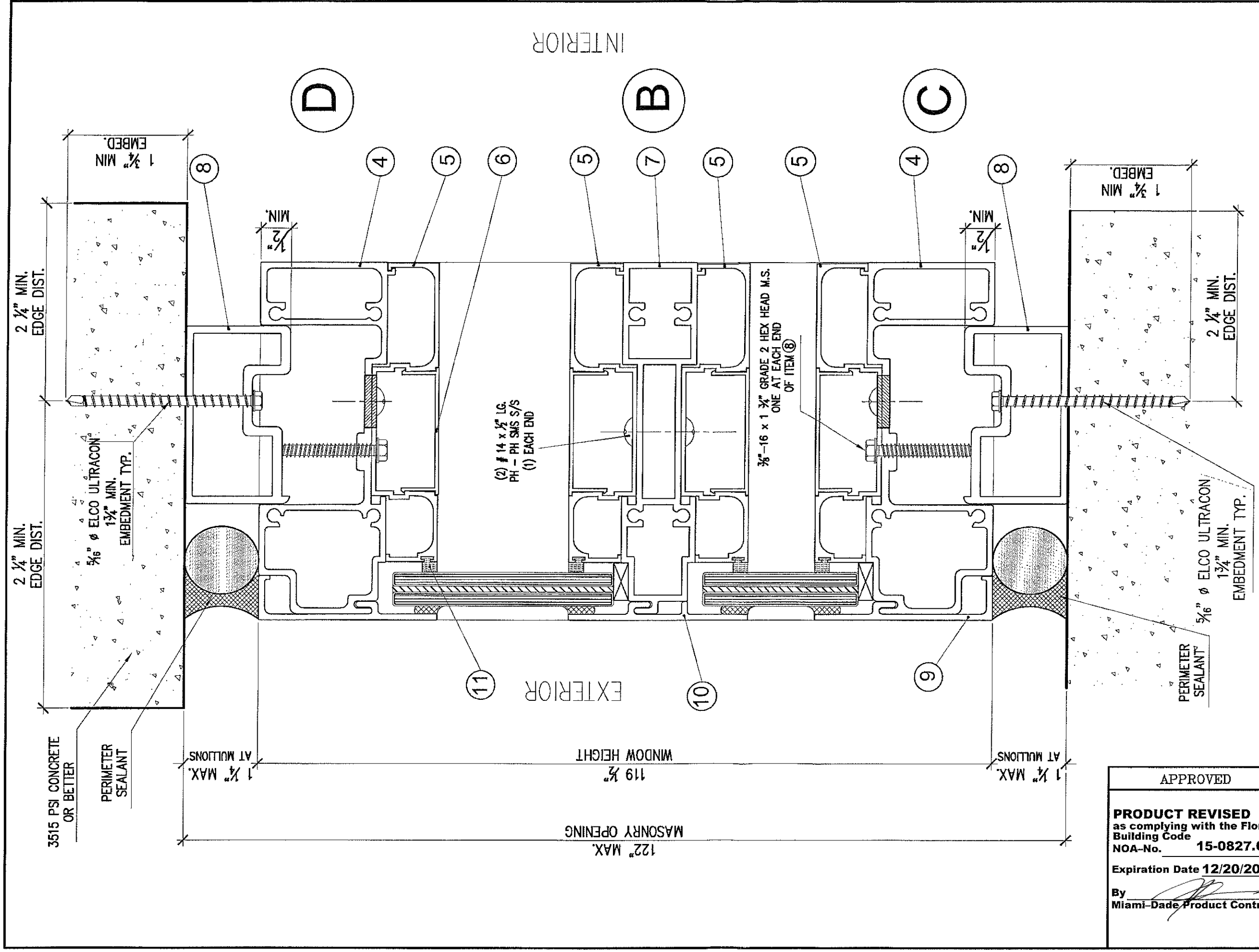
APPROVED

PRODUCT REVISED
 as complying with the Florida Building Code
 NOA-No. 15-0827.09
 Expiration Date 12/20/2017

By *[Signature]*
 Miami-Dade Product Control

HERNANDEZ NORRERO
 LICENSE NO. 78778
 STATE OF FLORIDA
 PROFESSIONAL ENGINEER

HERNANDEZ NORRERO & ASSOCIATES
 398 N. DANIA BEACH BLVD #338
 DANIA BEACH, FL 33004
 FBPE CERT. # 22579



WINDOW SECTIONS
WITHOUT HEAD RECEPTOR

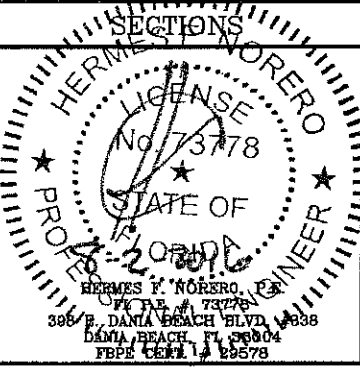
REVISION	
No	Date
1	9-18-07
2	10/18/12
3	07/20/16

Date: SEP-18-07
 Scale: N.T.S.
 Design by: G. S.
 Drawing by: RICHARD
 Checked by: G. S.
 Drawing No. FXD-3100-SM
 Sheet 4 of 8

APPROVED

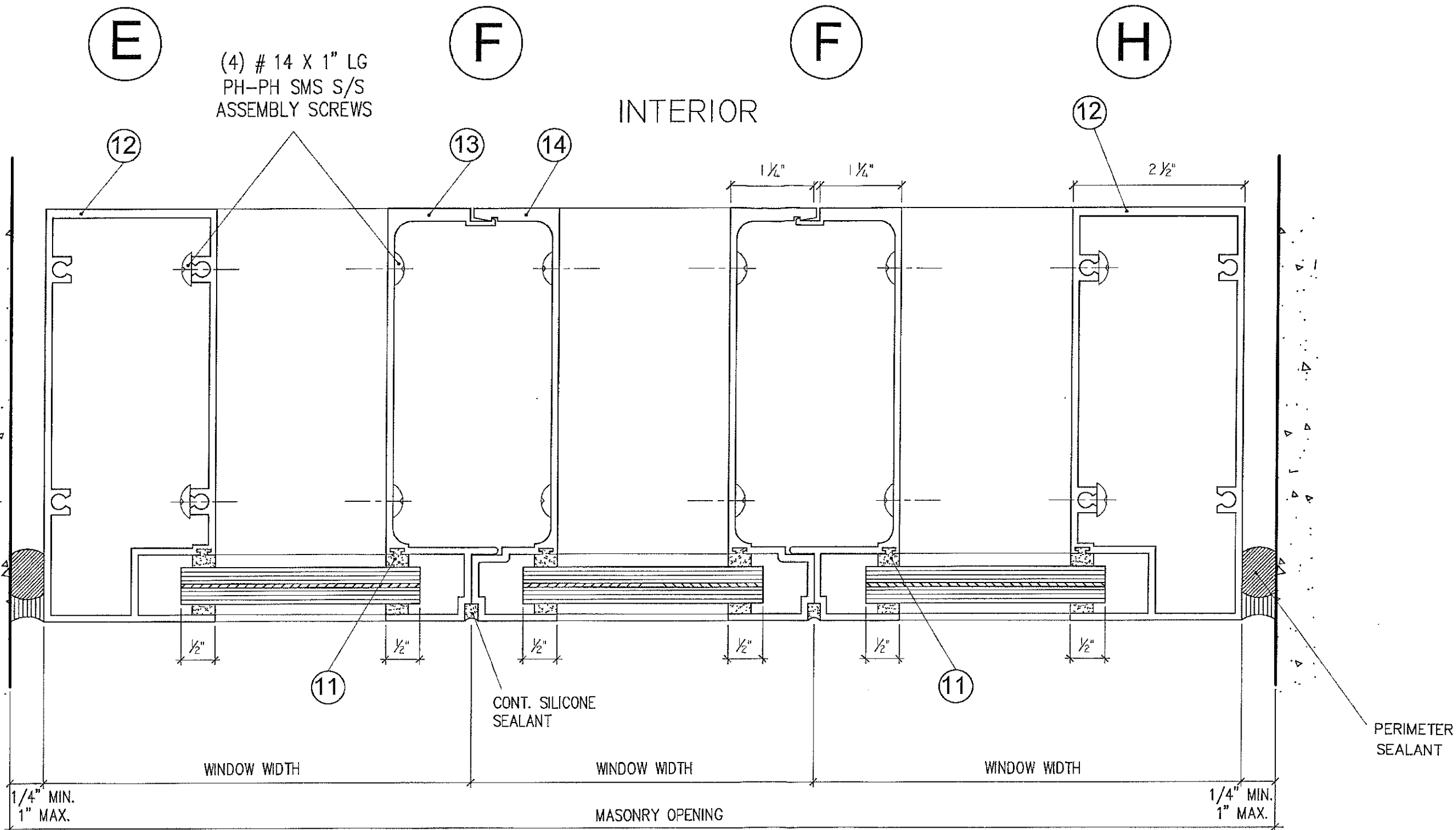
PRODUCT REVISED
 as complying with the Florida Building Code
 NOA-No. 15-0827.09
 Expiration Date 12/20/2017

By *[Signature]*
 Miami-Dade Product Control



Series 3100
FIXED WINDOW
SMALL MISSILE
IMPACT

Continental Glass Systems, LLC.
 325 West 74 Place
 Hialeah Florida, 33014
 Phone 305-251-1101 Fax 305-251-1103



(4) # 14 X 1" LG
PH-PH SMS S/S
ASSEMBLY SCREWS

INTERIOR

WINDOW WIDTH

WINDOW WIDTH

WINDOW WIDTH

MASONRY OPENING

CONT. SILICONE
SEALANT

PERIMETER
SEALANT

1/4" MIN.
1" MAX.

1/4" MIN.
1" MAX.

NOTES:
1. BACKER ROD DIAMETER EQUALS
SEALANT WIDTH x 120%
2. SEALANT WIDTH TO DEPTH
RATIO SHALL BE 2:1.

Continental Glass Systems, LLC.
325 West 74 Place
Hialeah Florida, 33014
Phone 305-231-1101 Fax 305-231-1103

Series 3100
FIXED WINDOW
SMALL MISSILE
IMPACT

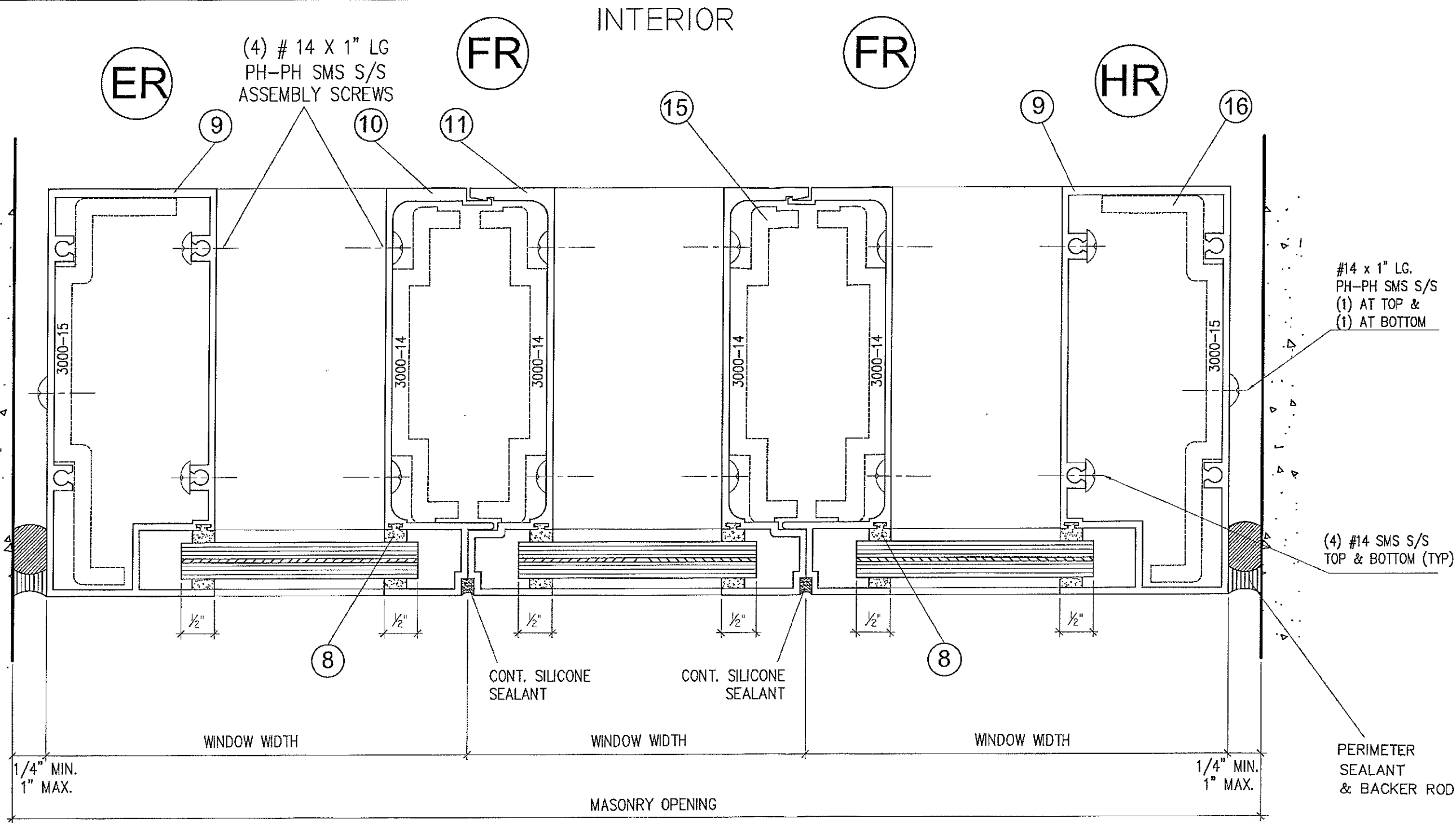
REVISION	
No.	Description
1	9-18-07 B.C.C.O.
2	10/16/12 REVISION
3	07/20/16 SMD PER COMMENTS
Date SEP-18-07	
Scale	
Design by G. S.	
Drawing by RICHARD	
Checked by G. S.	
Drawing No. FXD-3100-SM	
Sheet 5 of 8	

APPROVED
PRODUCT REVISED
as complying with the Florida
Building Code
NOA-No. 15-0827.09
Expiration Date 12/20/2017
By *[Signature]*
Miami-Dade Product Control

HERMASECTIONS
LICENSÉ
No. 73778
STATE OF
FLORIDA
PROFESSOR OF ARCHITECTURE
2016
HERNANDEZ, NORBERTO
330 E. DANIA BEACH BLVD, #338
DANIA BEACH, FL 33004
TYPE CERT. # 28578

INTERIOR

EXTERIOR



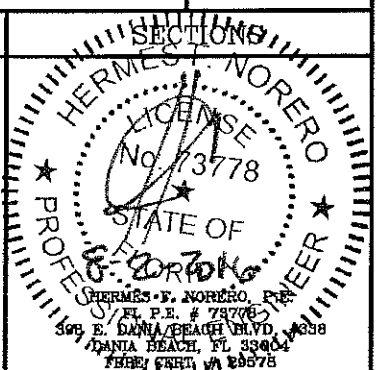
Continental Glass Systems, LLC.
 325 West 74 Place
 Hialeah Florida, 33014
 Phone 305-231-1101 Fax 305-231-1103

Series 3100
 FIXED WINDOW
 SMALL MISSILE
 IMPACT

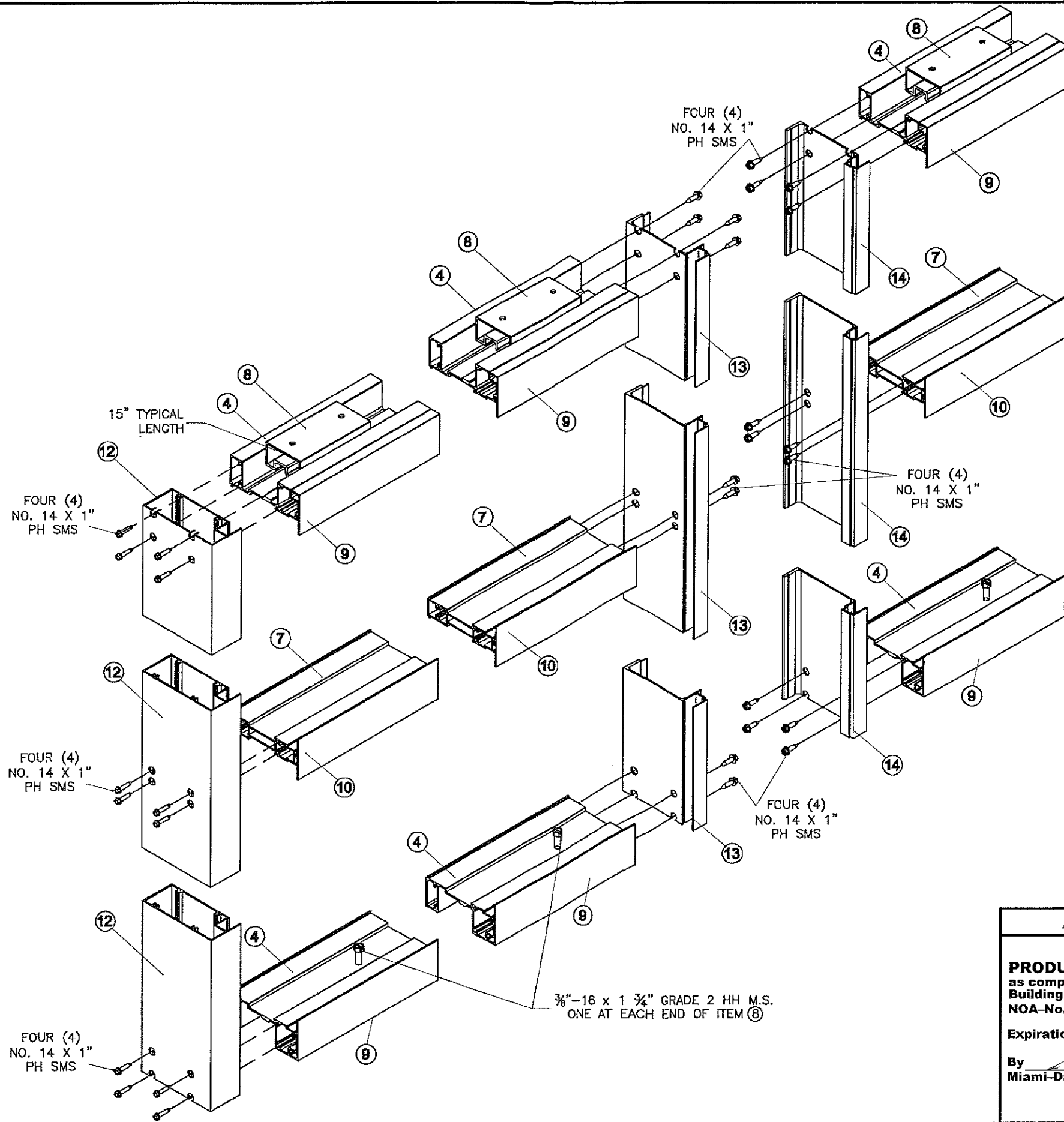
No	Date	By	Description
1	9-18-07		B.C.C.O.
2	10/19/12		REVISION
3	07/20/18	SM MD	REV COMMENTS

Date SEP-18-07
 Scale
 Design by G. S.
 Drawing by RICHARD
 Checked by G. S.
 Drawing No.
 FXD-3100-SM
 Sheet 6 of 8

APPROVED
PRODUCT REVISED
 as complying with the Florida
 Building Code
 NOA-No. 15-0827.09
 Expiration Date 12/20/2017
 By *[Signature]*
 Miami-Dade Product Control



NOTES:
 1. BACKER ROD DIAMETER EQUALS SEALANT WIDTH x 120%
 2. SEALANT WIDTH TO DEPTH RATIO SHALL BE 2:1.



Continental Glass Systems, LLC.
 325 West 74 Place
 Hialeah Florida, 33014
 Phone 305-231-1101 Fax 305-231-1103

Series 3100
FIXED WINDOW
 SMALL MISSILE
 IMPACT

REVISION	
No	Description
1	8-18-07 B.C.C.O.
2	10/16/12 REVISION
3	07/23/16 SM MD RER COMMENTS

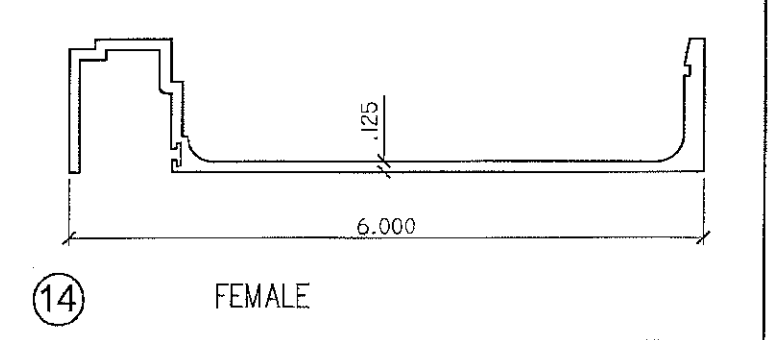
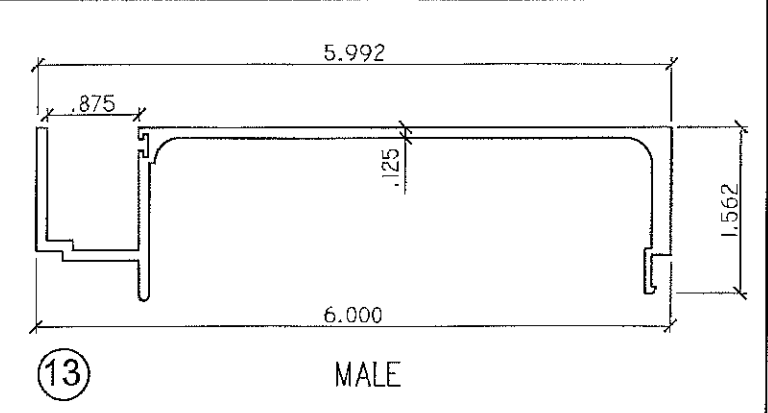
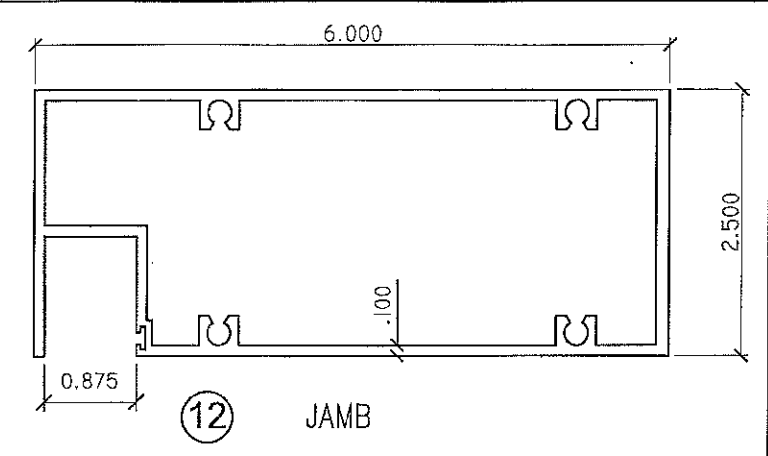
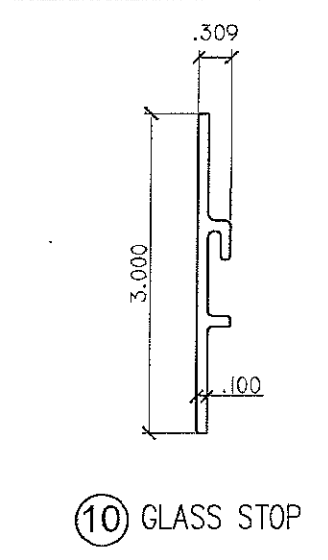
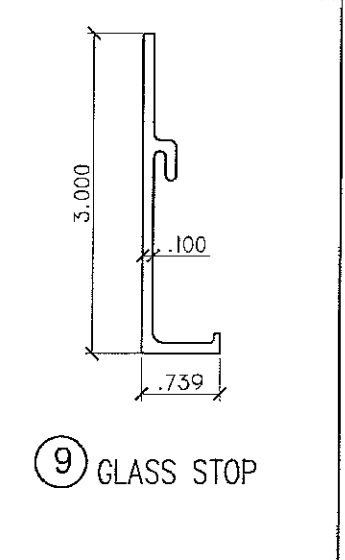
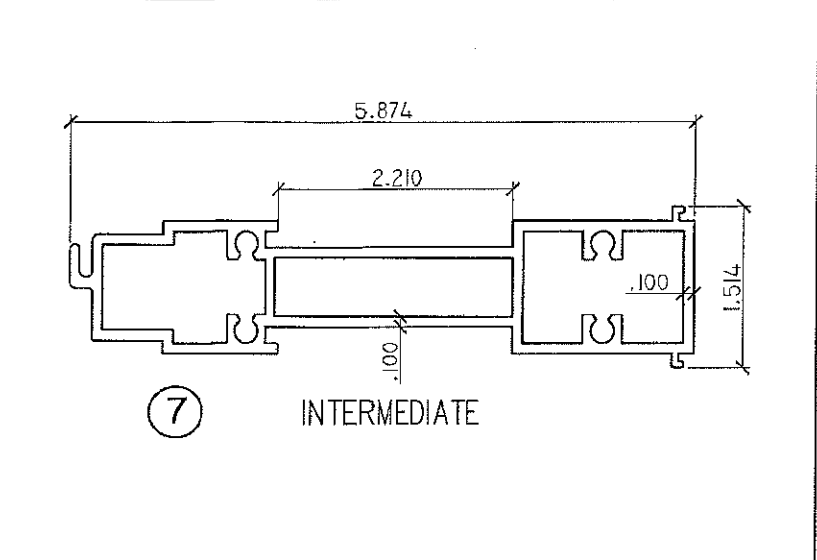
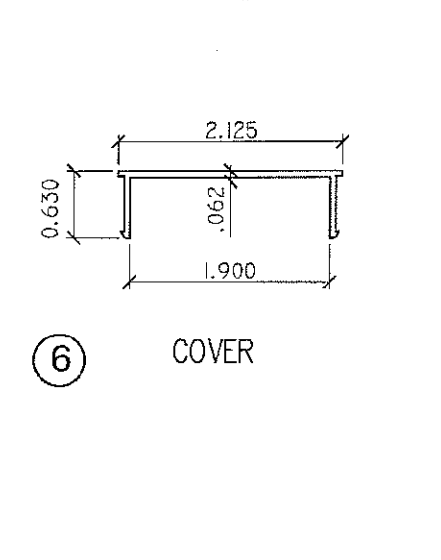
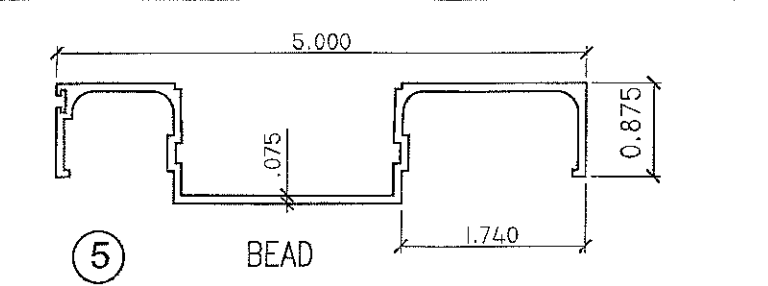
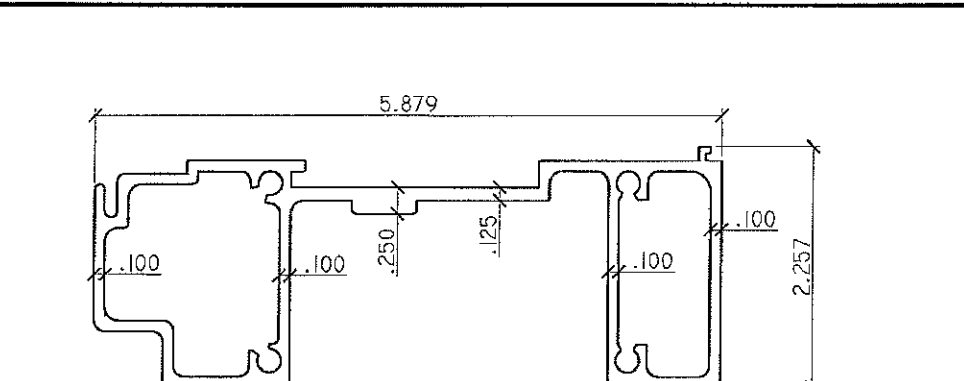
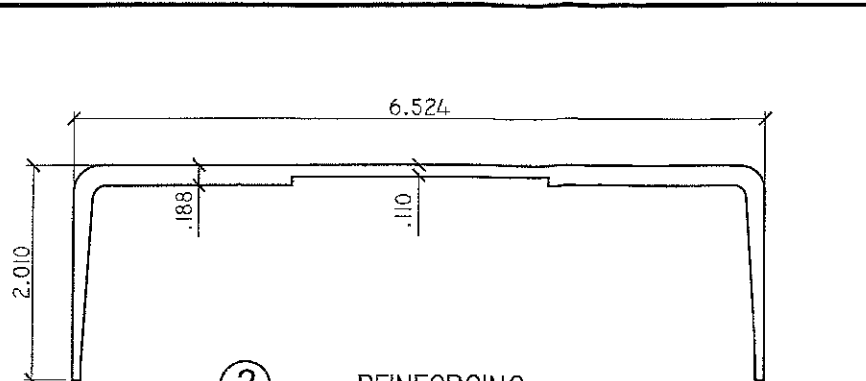
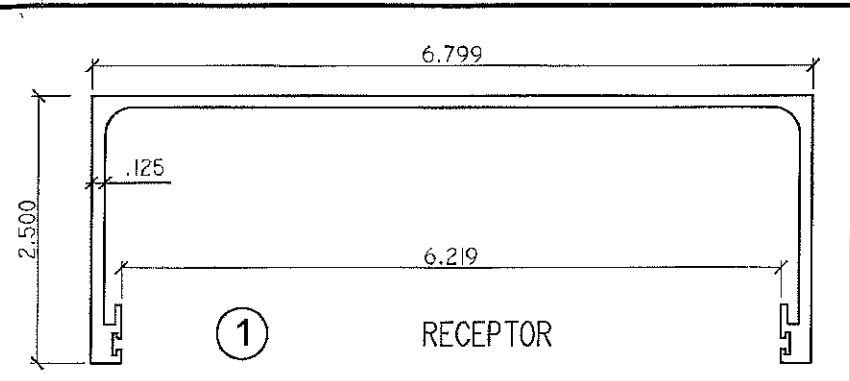
Date	SEP-18-07
Scale	
Design by	G. S.
Drawing by	RICHARD
Checked by	G. S.
Drawing No.	FXD-3100-SM
Sheet 7 of 8	

APPROVED

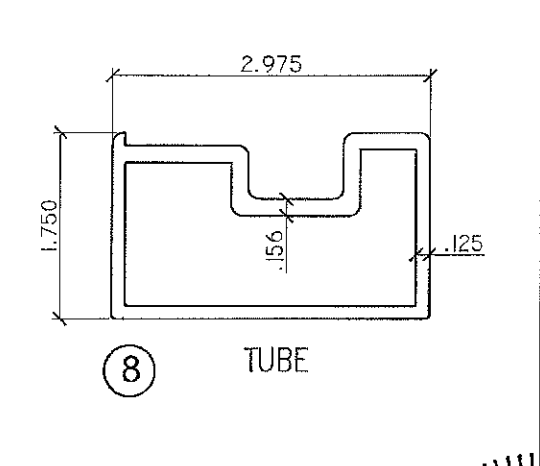
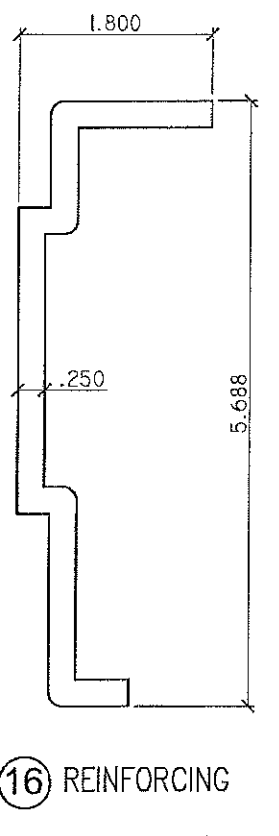
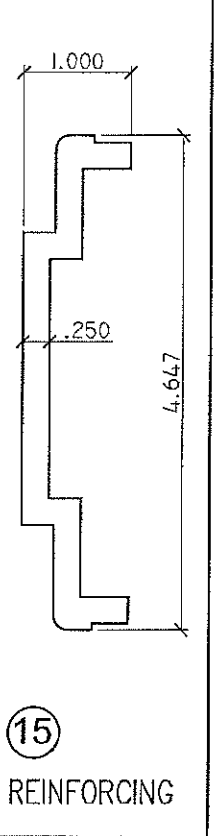
PRODUCT REVISED
 as complying with the Florida
 Building Code
 NOA-No. **15-0827.09**
 Expiration Date **12/20/2017**

By _____
 Miami-Dade Product Control





ITEM #	PART NUMBER	PART NAME	ALLOY & TEMPERED
1	2000 - 07	RECEPTOR	6005-T5
2	2000 - 16	REINFORCING LENGTHS 12" & 15"	6005-T5
3	FP-448-V	VINYL BULB	PROTOTYPE
4	3000 - 08	TOP & BOTTOM	6005-T5
5	3000 - 03	BEAD	6005-T5
6	3000 - 07	COVER	6005-T5
7	3000 - 10	INTERMEDIATE	6005-T5
8	3000 - 12	TUBE LENGTHS 15" & 18"	6005-T5
9	3000 - 09	GLASS STOP	6005-T5
10	3000 - 11	GLASS STOP	6005-T5
11	CGS - 01	GLASS SPACER	PROTOTYPE
12	3000 - 09	JAMB	6005-T5
13	3000 - 05	MALE	6005-T5
14	3000 - 06	FEMALE	6005-T5
15	3000 - 14	REINFORCING	6005-T5
16	3000 - 15	REINFORCING	6005-T5



FIXED WINDOW

Continental Glass Systems, LLC.
325 West 74 Place
Hialeah Florida, 33014
Phone 305-231-1101 Fax 305-231-1103

Series 3100
FIXED WINDOW
SMALL MISSILE
IMPACT

REVISION		Date	By	Description
1	9-18-07	g.s.	B.C.C.O.	
2	10/16/12	RICHARD	REVISION	
3	07/20/16	SM	MD RFR COMMENTS	

Date: SEP-18-07
Scale:
Design by: g. s.
Drawing by: RICHARD
Checked by: g. s.
Drawing No.: FXD-3100-SM
Sheet 8 of 8

APPROVED
PRODUCT REVISED
as complying with the Florida
Building Code
NOA-No. 15-0827.09
Expiration Date 12/20/2017
By: *[Signature]*
Miami-Dade Product Control

EXTRUSIONS AND PARTS
HERNANDEZ NORRERO
LICENSE NO. 78778
STATE OF FLORIDA
PROFESSIONAL ENGINEER
HERNANDEZ NORRERO, P.E.
NOVA 15778
398 N. DANIA BEACH BLVD #338
DANIA BEACH, FL 33004
FBPE CERT. # 29678