



DEPARTMENT OF REGULATORY AND ECONOMIC RESOURCES (RER)
BOARD AND CODE ADMINISTRATION DIVISION

NOTICE OF ACCEPTANCE (NOA)

MIAMI-DADE COUNTY
PRODUCT CONTROL SECTION

11805 SW 26 Street, Room 208
T (786) 315-2590 F (786) 315-2599

www.miamidade.gov/economy

Continental Glass Systems, LLC
325 West 74 Place
Hialeah, FL 33014

SCOPE:

This NOA is being issued under the applicable rules and regulations governing the use of construction materials. The documentation submitted has been reviewed and accepted by Miami-Dade County RER - Product Control Section to be used in Miami Dade County and other areas where allowed by the Authority Having Jurisdiction (AHJ).

This NOA shall not be valid after the expiration date stated below. The Miami-Dade County Product Control Section (In Miami-Dade County) and/or the AHJ (in areas other than Miami-Dade County) reserve the right to have this product or material tested for quality assurance purposes. If this product or material fails to perform in the accepted manner, the manufacturer will incur the expense of such testing and the AHJ may immediately revoke, modify, or suspend the use of such product or material within their jurisdiction. RER reserves the right to revoke this acceptance, if it is determined by Miami-Dade County Product Control Section that this product or material fails to meet the requirements of the applicable building code.

This product is approved as described herein, and has been designed to comply with the Florida Building Code, including the High Velocity Hurricane Zone.-

DESCRIPTION: Series "3000" Aluminum Window Wall System - S.M.I.

APPROVAL DOCUMENT: Drawing No. **FXD-3000-SM**, titled "Series 3000 – Aluminum Window Wall System - Small Missile", sheets 1 through 10 of 10, prepared by manufacturer, dated 11/23/05, with revision #4 dated 06/30/16, prepared by manufacturer, signed and sealed by Hermes F. Norero, P.E., bearing the Miami-Dade County Product Control Revision stamp with the Notice of Acceptance number and expiration date by the Miami-Dade County Product Control Section.

MISSILE IMPACT RATING: Small Missile Impact Resistant

LABELING: Each unit shall bear a permanent label with the manufacturer's name or logo, city, state, model/series, and following statement: "Miami-Dade County Product Control Approved", unless otherwise noted herein.

RENEWAL of this NOA shall be considered after a renewal application has been filed and there has been no change in the applicable building code negatively affecting the performance of this product.

TERMINATION of this NOA will occur after the expiration date or if there has been a revision or change in the materials, use, and/or manufacture of the product or process. Misuse of this NOA as an endorsement of any product, for sales, advertising or any other purposes shall automatically terminate this NOA. Failure to comply with any section of this NOA shall be cause for termination and removal of NOA.

ADVERTISEMENT: The NOA number preceded by the words Miami-Dade County, Florida, and followed by the expiration date may be displayed in advertising literature. If any portion of the NOA is displayed, then it shall be done in its entirety.

INSPECTION: A copy of this entire NOA shall be provided to the user by the manufacturer or its distributors and shall be available for inspection at the job site at the request of the Building Official.

This NOA **revises and renews** NOA# 12-1120.08 and consists of this page 1 and evidence pages E-1 and E-2, as well as approval document mentioned above.

The submitted documentation was reviewed by **Jorge M. Plasencia, P.E.**



[Handwritten Signature]
9/16/2016

NOA No. 15-0827.10
Expiration Date: March 30, 2021
Approval Date: September 22, 2016
Page 1

Continental Glass Systems, LLC

NOTICE OF ACCEPTANCE: EVIDENCE SUBMITTED

A. DRAWINGS

1. Manufacturer's die drawings and sections.
(Submitted under NOA No. 05-1220.17)
2. Drawing No. **FXD-3000-SM**, titled "Series 3000 – Aluminum Window Wall System - Small Missile, sheet 1 through 10 of 10, prepared by manufacturer, dated 11/23/05, with revision #4 dated 06/30/16, signed and sealed by Hermes F. Norero, P.E.

B. TESTS

1. Test reports on: 1) Air Infiltration Test, per FBC, TAS 202-94
2) Uniform Static Air Pressure Test, Loading per FBC, TAS 20294
3) Water Resistance Test, per FBC, TAS 202-94
4) Small Missile Impact Test per FBC, TAS 201-94
5) Cyclic Wind Pressure Loading per FBC, TAS 203-94
along with marked-up drawings and installation diagram of an aluminum window wall system, prepared by Fenestration Testing Laboratory, Inc., Test Report No. **FTL-4728** dated 10/07/05, signed and sealed by Edmundo J. Largaespada, P.E.
(Submitted under NOA #05-1220.17)

C. CALCULATIONS


1. Anchor verification calculations and structural analysis, complying with FBC-2010, dated 01/01/11, updated on 05/20/15, 06/22/15 and revised on 08/02/16 to comply with **FBC-5th Edition (2014)**, prepared by Building Drops, Inc., signed and sealed by Hermes F. Norero, P.E.
2. Glazing complies with **ASTM E1300-09**

D. QUALITY ASSURANCE

1. Miami-Dade Department of Regulatory and Economic Resources (RER).

E. MATERIAL CERTIFICATIONS

1. Notice of Acceptance No. **15-1201.11** issued to **Eastman Chemical Company (MA)** for their "**Saflex Clear and Color Glass Interlayers**" dated 03/17/16, expiring on 05/21/21.


George M. Plasencia, P.E.
Product Control Unit Supervisor
NOA No. 15-0827.10
Expiration Date: March 30, 2021
Approval Date: September 22, 2016

Continental Glass Systems, LLC


NOTICE OF ACCEPTANCE: EVIDENCE SUBMITTED

F. STATEMENTS

1. Statement letter of conformance, complying with **FBC-5th Edition (2014)**, and of no financial interest, dated 05/31/15, issued by Building Drops, Inc., signed and sealed by Hermes Norero, P.E.
2. Letter from manufacturer requesting name change from Continental Glass System, Inc. to **Continental Glass System, LLC**, dated April 4, 2016, signed by Samir Moussa, COO.
3. Assignment Agreement dated April 21, 2015 between **Continental Glass System, Inc.** a Florida Corporation (Assignor) and **Continental Glass System, LLC** a Delaware Limited Liability Company (Assignee) signed by Shlomo Epstein, (Assignor) and Samir Moussa (Assignee) and Paul L. Rudy III for Graham Architectural Products Corporation (the "Purchase Agreement").
4. Notification of Successor Engineer for manufacturer's NOA document per **Section 61G15-27.001** of the **Florida Administrative Code**, notifying original engineer that the successor engineer is assuming full professional and legal responsibility for all engineering documents pertaining to this NOA, dated May 31, 2015, signed and sealed by Hermes F. Norero, P.E.

G. OTHERS

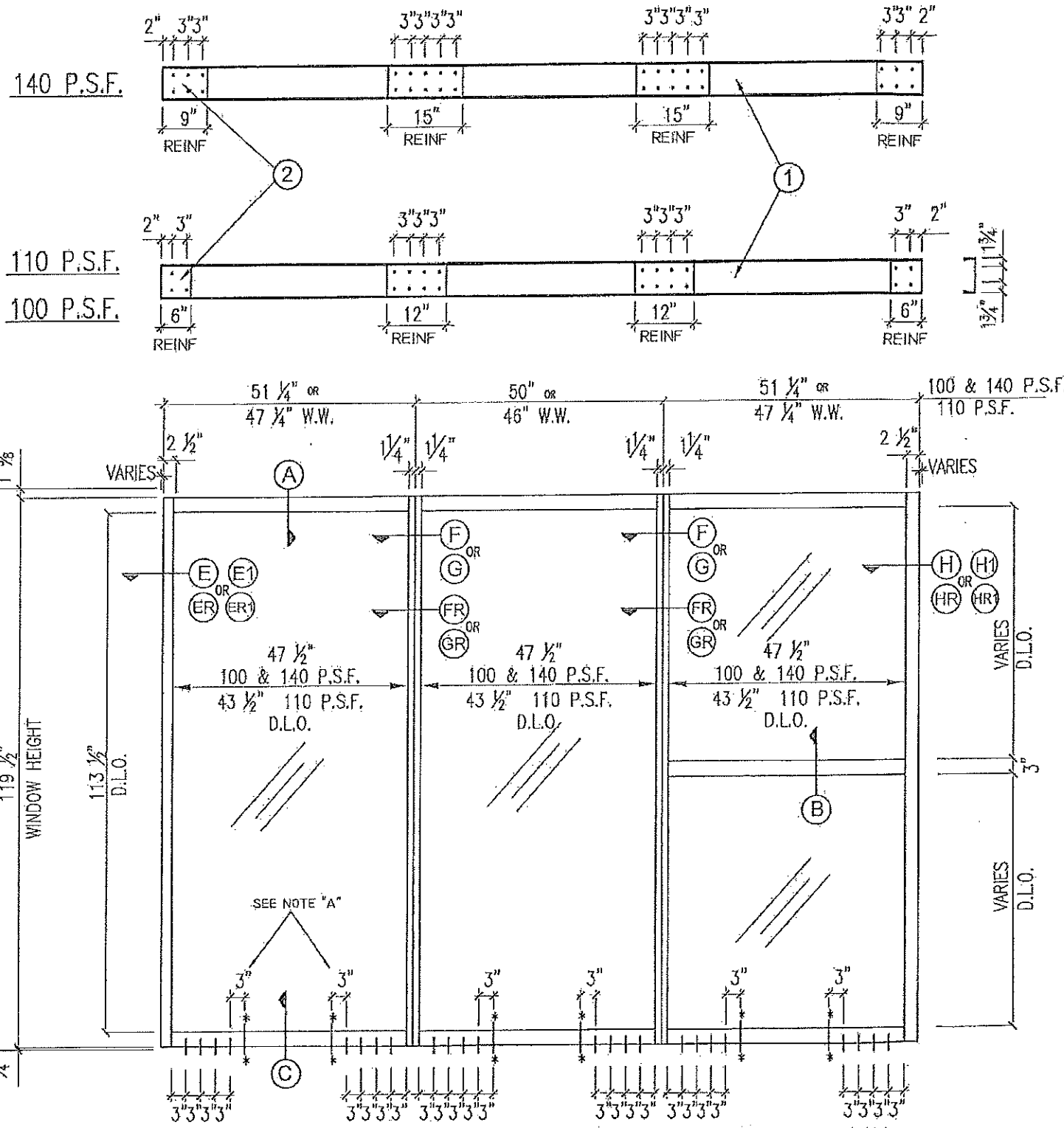
1. Notice of Acceptance No. **12-1120.08**, issued to Continental Glass Systems, Inc. for their Series "3000" Aluminum Window Wall System – S.M.I., approved on 01/31/13 and expiring on 03/30/16.



Jorge M. Plasencia, P.E.
Product Control Unit Supervisor
NOA No. 15-0827.10
Expiration Date: March 30, 2021
Approval Date: September 22, 2016

HEAD RECEPTOR

SERIES 3000 ALUMINUM WINDOW WALL SYSTEM - S.M.I.



NOTE "A"

↑ ADD (2) ANCHORS TO EACH
↓ PANEL WHEN LOAD = 140 P.S.F.

DESIGN LOAD CAPACITY (P.S.F.)		MULLION REINFORCING CHANNELS	MAXIMUM D.L.O. WIDTH	MAXIMUM WINDOW WIDTH
POSITIVE	NEGATIVE			
110	110	NO	43 1/2"	46"
140	140	YES	47 1/2"	50"
100	100	NO	47 1/2"	50"

NOTES:

1. THIS FIXED WINDOW SYSTEM IS DESIGNED AND TESTED TO COMPLY WITH THE REQUIREMENTS OF THE 5TH EDITION FLORIDA BUILDING CODE (FBC) CHAPTER 16 AND 24, UNDER THE SPECIFIC CONDITION SHOWN ON THIS DRAWING. REF. FTL No. 4728 (DATED 4th OCT. 2005)

2. ALL EXTRUSIONS ARE ALUMINUM, 6005-T5 ALLOY, WITH A MINIMUM F_y OF 35,000 P.S.I.

3. SMALL MISSILE IMPACT: INSTALLATION UP TO 30 FT ABOVE GRADE WILL REQUIRE A HURRICANE PROTECTION SYSTEM. BUT FOR INSTALLATION ABOVE 30 FT ABOVE GRADE WILL NOT REQUIRE A HURRICANE PROTECTION SYSTEM.

4. ALL INSTALLATION ANCHORS ARE 5/16"Ø ELCO ULTRACONS, 1 3/4" MIN. EMBEDMENT INTO 3515 PSI CONCRETE OR BETTER.

5. SHIMS. USE HARD PLASTIC.

6. APPROVED STRUCTURAL SILICONE:

- A) 795 DOW CORNING
- B) SCS 2000 BY GE
- C) PROGLAZE SSG BY TREMCO
- D) DOW CORNING CONTRACTORS WEATHERPROOFING SEALANT

7. APPROVED PERIMETER SILICONE SEALANT:
790 & 795 DOW CORNING

Continental Glass Systems, LLC.
325 West 74 Place
Hialeah, Florida, 33014
Phone 905-231-1101 Fax 905-231-1103

SERIES 3000 ALUMINUM WINDOW WALL SYSTEM
SMALL MISSILE

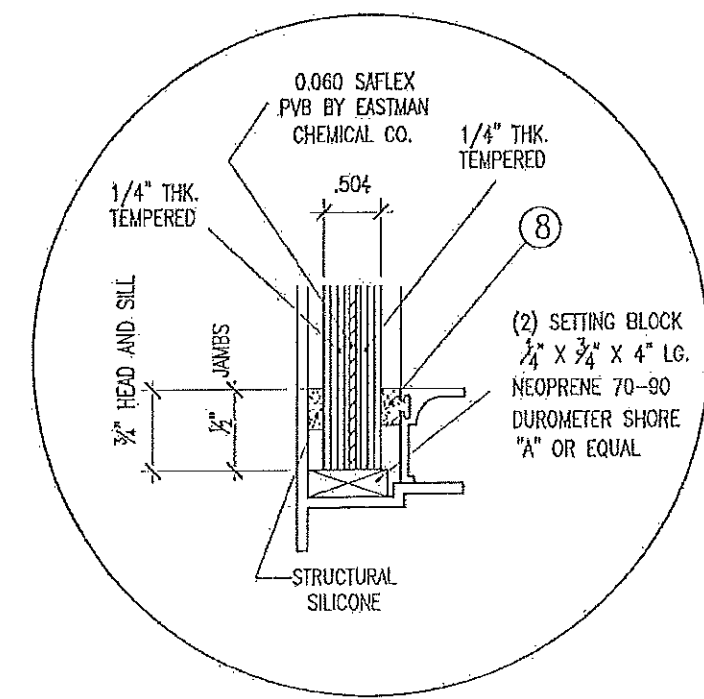
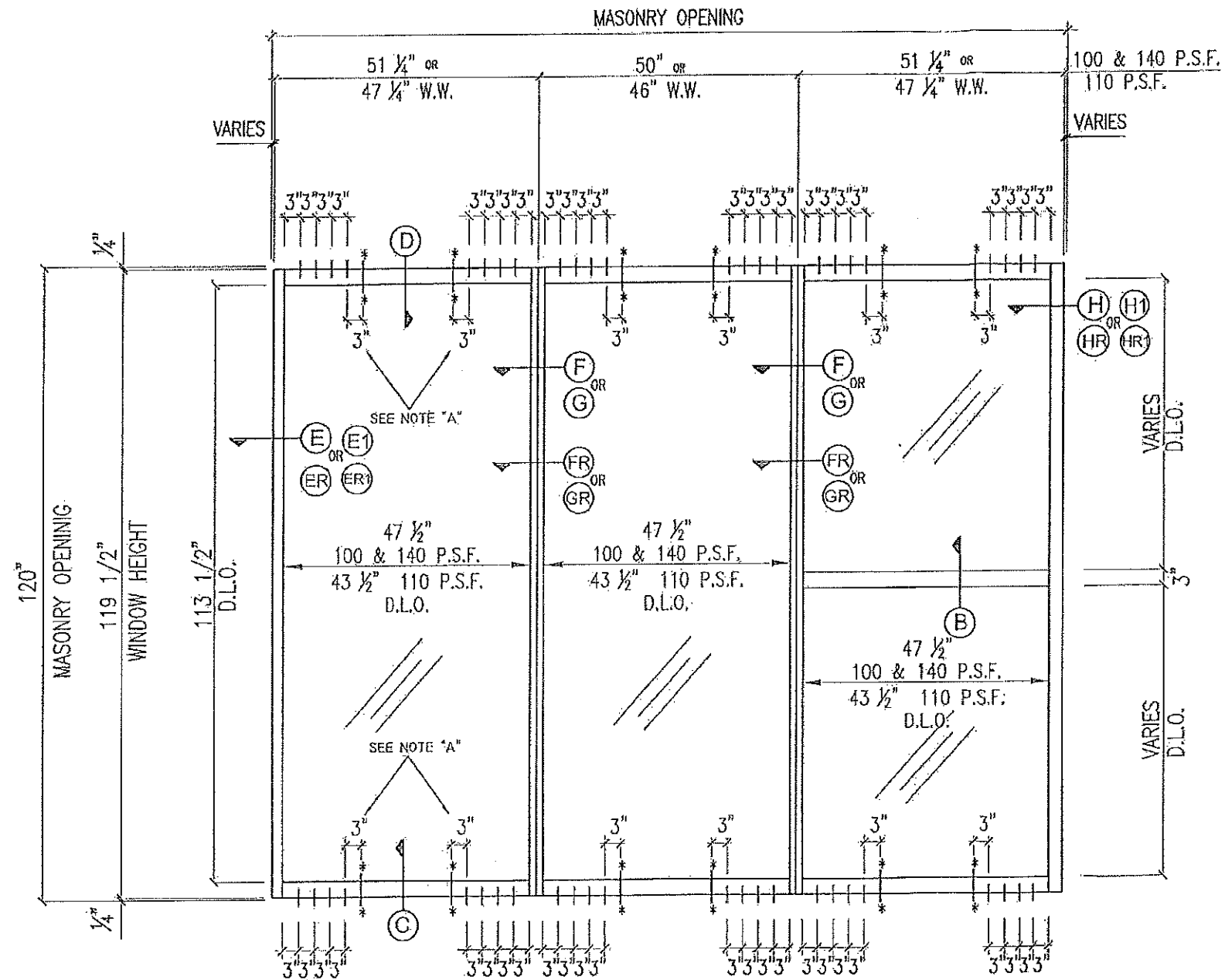
No.	Date	By	Description
			REVISION
1	01-04-2018	P.	RENEWAL
2	11-14-2018	ALP	PRODUCT CONTROL
3	5-14-2015	S.M.	SEE ED. FBC CODE UPDATES & E.O.F. CHANGES
4	02-20-2014	S.M.	AD REP. COMMENTS

Date: 11-23-08
Scale:
Design by: G. S.
Drawing by: RICHARD
Checked by: G. S.
Drawing No.: FXD-3000-SM
Sheet 1 of 10

APPROVED
PRODUCT REVISED
as complying with the Florida Building Code
NOA-No. **15-0827.10**
Expiration Date **03/30/2021**
By *[Signature]*
Miami-Dade Product Control

ELEVATION
HERMES E. MORERO
LICENSE
No. 73778
STATE OF FLORIDA
REGISTERED PROFESSIONAL ENGINEER
HERMES E. MORERO, P.E.
P.O. Box 7978
880 S. DANIA BEACH BLVD
DANIA BEACH, FL 33004
FPEB 06/11/2004

HEAD STANDARD FRAME



GLAZING DETAIL

FIXED WINDOW ELEVATION
EXTERIOR VIEW

DESIGN LOAD CAPACITY (P.S.F.)		MULLION REINFORCING CHANNELS	MAXIMUM D.L.O. WIDTH	MAXIMUM WINDOW WIDTH
POSITIVE	NEGATIVE			
110	110	NO	43 1/2"	46"
140	140	YES	47 1/2"	50"
100	100	NO	47 1/2"	50"

NOTE "A"
 * ADD (2) ANCHORS TO EACH
 * PANEL WHEN LOAD = 140 P.S.F.

Continental Glass Systems, LLC.
 325 West 74 Place
 Hialeah, Florida, 33014
 Phone: 305-231-1101 Fax: 305-231-1103

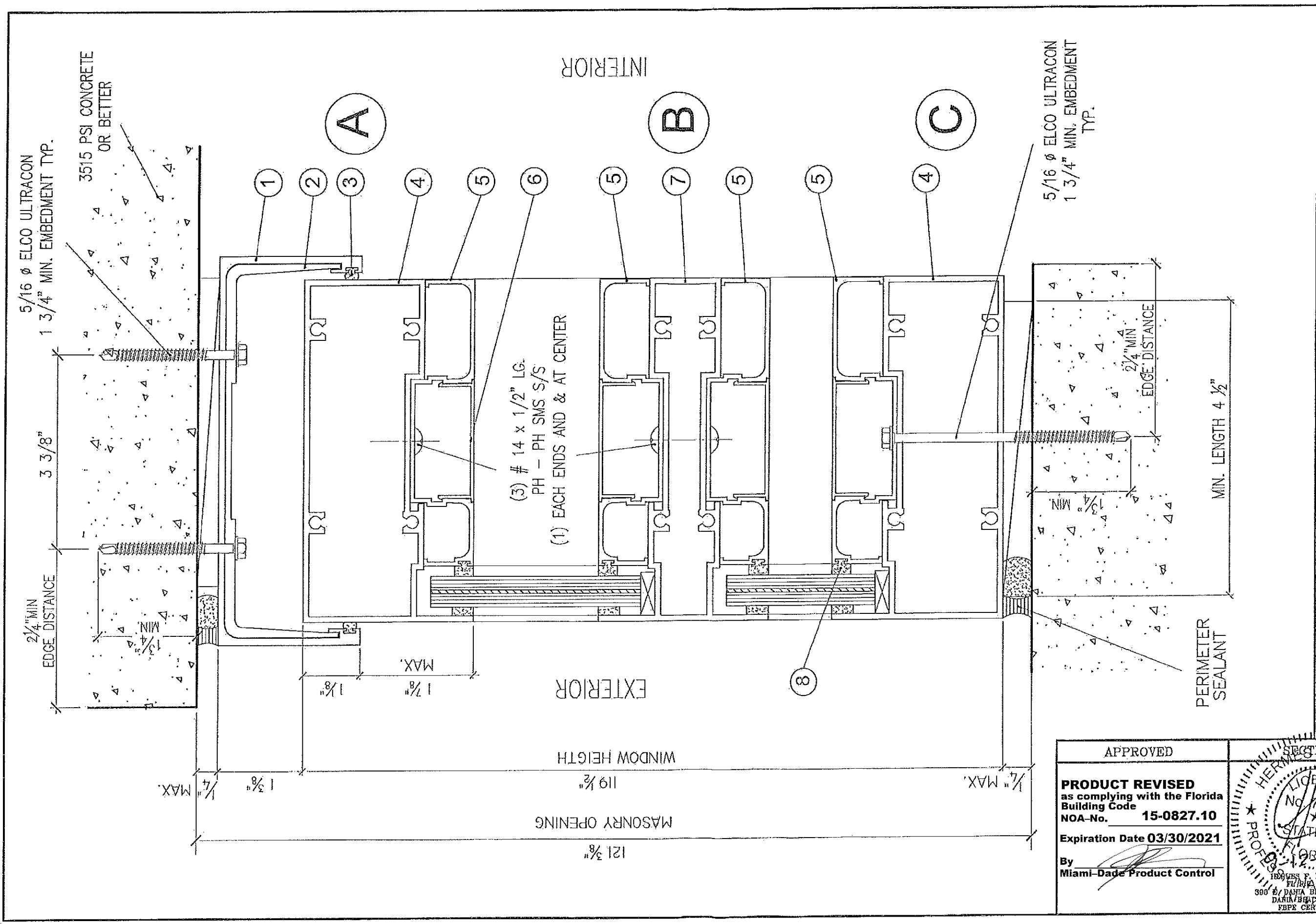
SERIES 3000 ALUMINUM WINDOW WALL SYSTEM
 SMALL MISSILE

REVISION		Date	Description
No.	By	Date	Description
1	REVISIONAL	01-04-2011	
2	PRODUCT CONTROL	11-14-2013	
3	AD HOC COMMENTS	02-20-2016	

Date: 11-23-08
 Scale:
 Design by: G. S.
 Drawing by: RICHARD
 Checked by: O. S.
 Drawing No.: FXD-3000-SM
 Sheet 2 of 10.

APPROVED
PRODUCT REVISED
 as complying with the Florida Building Code
 NOA-No. 15-0827.10
 Expiration Date 03/30/2021
 By: *[Signature]*
 Miami-Dade Product Control

ELEVATION
 HERMES F. NORERO
 LICENSE No. 73778
 STATE OF FLORIDA
 PROFESSIONAL ENGINEER
 305 E. MARIA BEACH BLVD., #305
 DANIA BEACH, FL 33004
 954.987.4282



Continental Glass Systems, LLC.
 325 West 74 Place
 Hialeah Florida, 33014
 Phone 305-231-1101 Fax 305-231-1103

SERIES 3000 ALUMINUM WINDOW WALL SYSTEM
 SMALL MISSILE

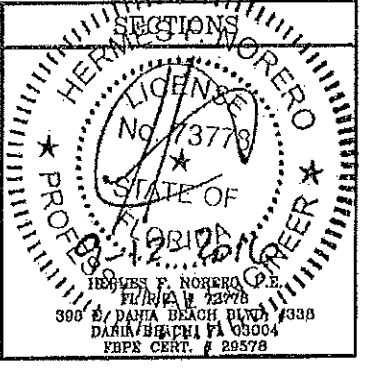
REVISION	
No	Description
1	REVISION
2	PRODUCT CONTROL
3	NO. REE. COMMENTS

Date: 11-23-05
 Scale:
 Design by: G. B.
 Drawing by: RICHARD
 Checked by: G. B.
 Drawing No.: FXD-3000-SM
 Sheet 3 of 10

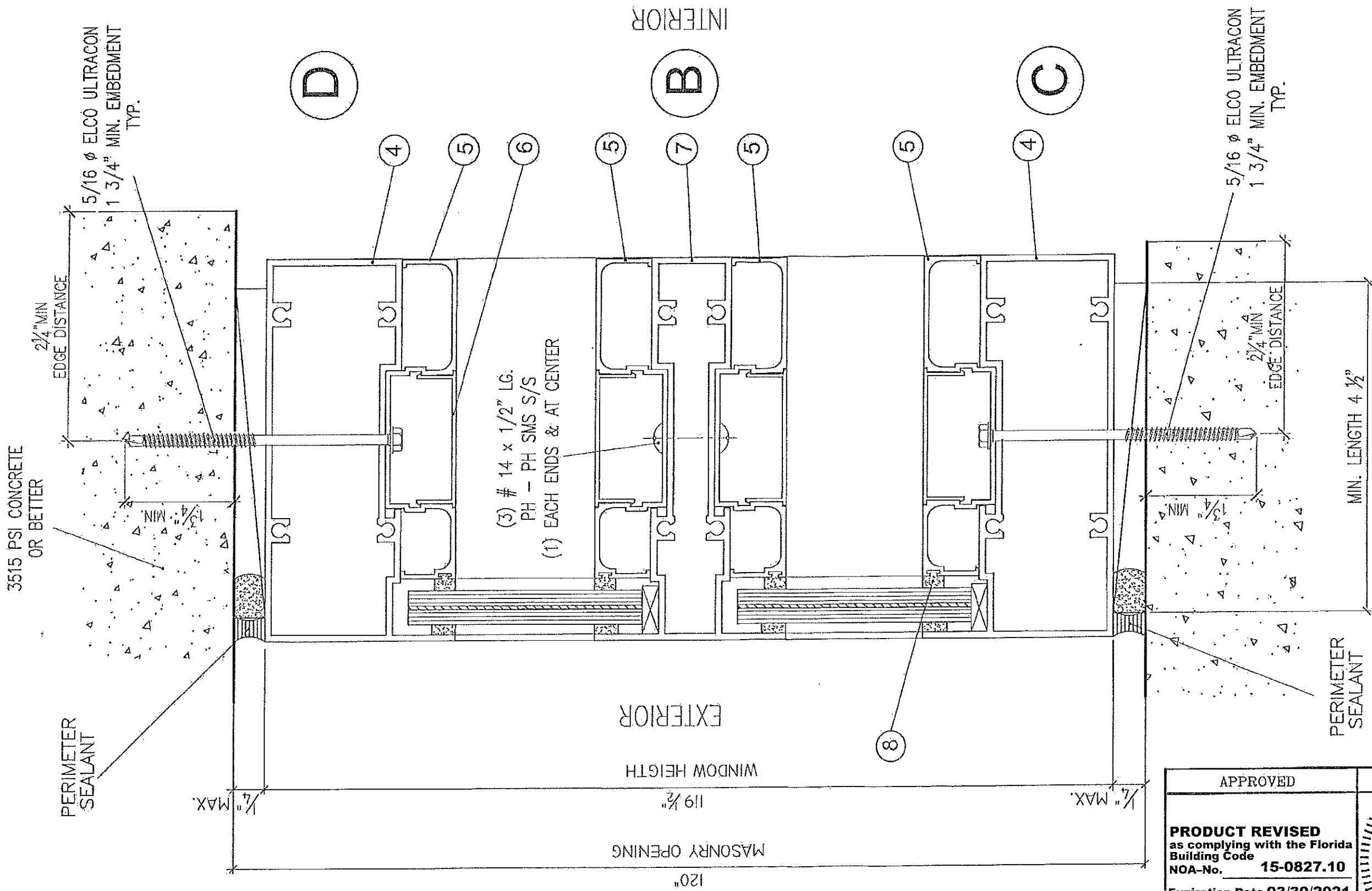
APPROVED

PRODUCT REVISED
 as complying with the Florida Building Code
 NOA-No. **15-0827.10**
 Expiration Date **03/30/2021**

By *[Signature]*
 Miami-Dade Product Control



HERMES F. NORRERO, P.E.
 FLORIDA # 73778
 390 S. DANIA BEACH BLVD #338
 DANIA BEACH, FL 33004
 FWP CERT. # 29578



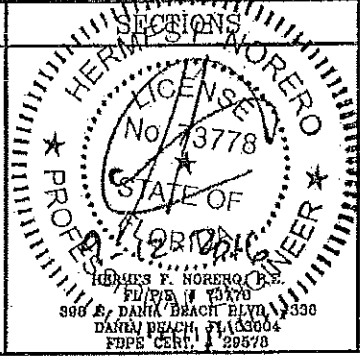
Continental Glass Systems, LLC.
 825 West 74 Place
 Hialeah Florida, 33014
 Phone 305-231-1101 Fax 305-231-1103

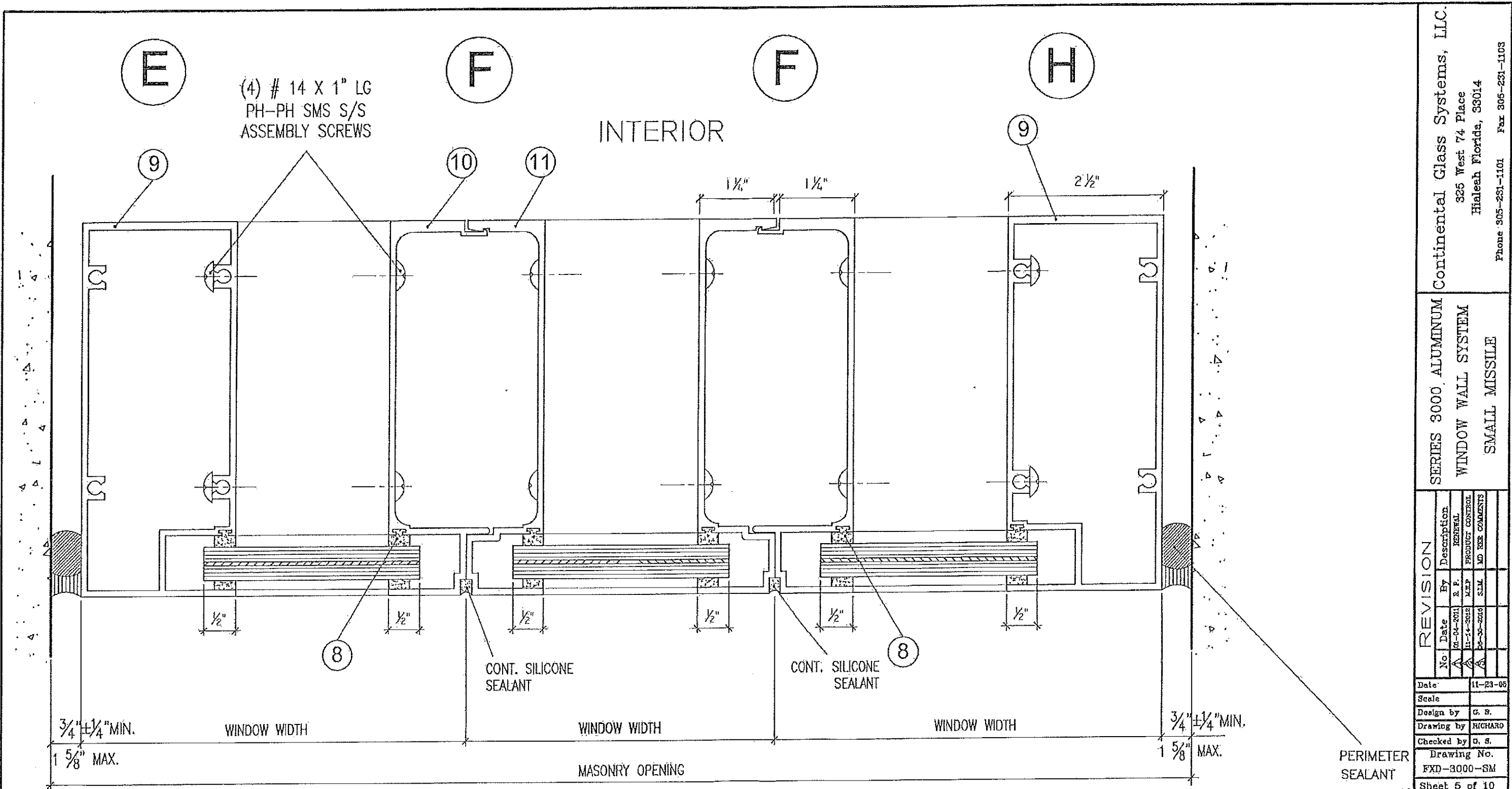
SERIES 3000 ALUMINUM WINDOW WALL SYSTEM
 SMALL MISSILE

REVISION	
No	Description
1	REVISION
2	REVISION
3	REVISION
4	REVISION
5	REVISION

Date	11-23-06
Scale	
Design by	G. S.
Drawing by	RICHARD
Checked by	G. S.
Drawing No.	FXD-3000-SM
Sheet 4 of 10	

APPROVED
PRODUCT REVISED
 as complying with the Florida Building Code
 NOA-No. **15-0827.10**
 Expiration Date **03/30/2021**
 By *[Signature]*
 Miami-Dade Product Control





Continental Glass Systems, LLC.
 325 West 74 Place
 Hialeah Florida, 33014
 Phone 305-231-1101 Fax 305-231-1103

SERIES 3000 ALUMINUM WINDOW WALL SYSTEM
 SMALL MISSILE

REVISION	
No.	Description
1	REVISION
2	PRODUCT CONTROL
3	MD SEE COMMENTS

Date: 11-23-05
 Scale:
 Design by: C. S.
 Drawing by: RICHARD
 Checked by: C. S.
 Drawing No.: FXD-3000-SM
 Sheet 5 of 10

NOTES:

1. BACKER ROD DIAMETER EQUALS SEALANT WIDTH x 120%
2. SEALANT WIDTH TO DEPTH RATIO SHALL BE 2:1 FOR WIDTHS UP TO 1". USE 1/2" DEPTH FOR WIDTHS GREATER THAN 1".

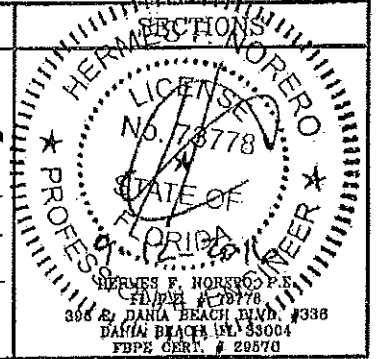
DESIGN LOAD CAPACITY (P.S.F.)		MULLION REINFORCING CHANNELS
POSITIVE	NEGATIVE	
110	110	NO
100	100	NO

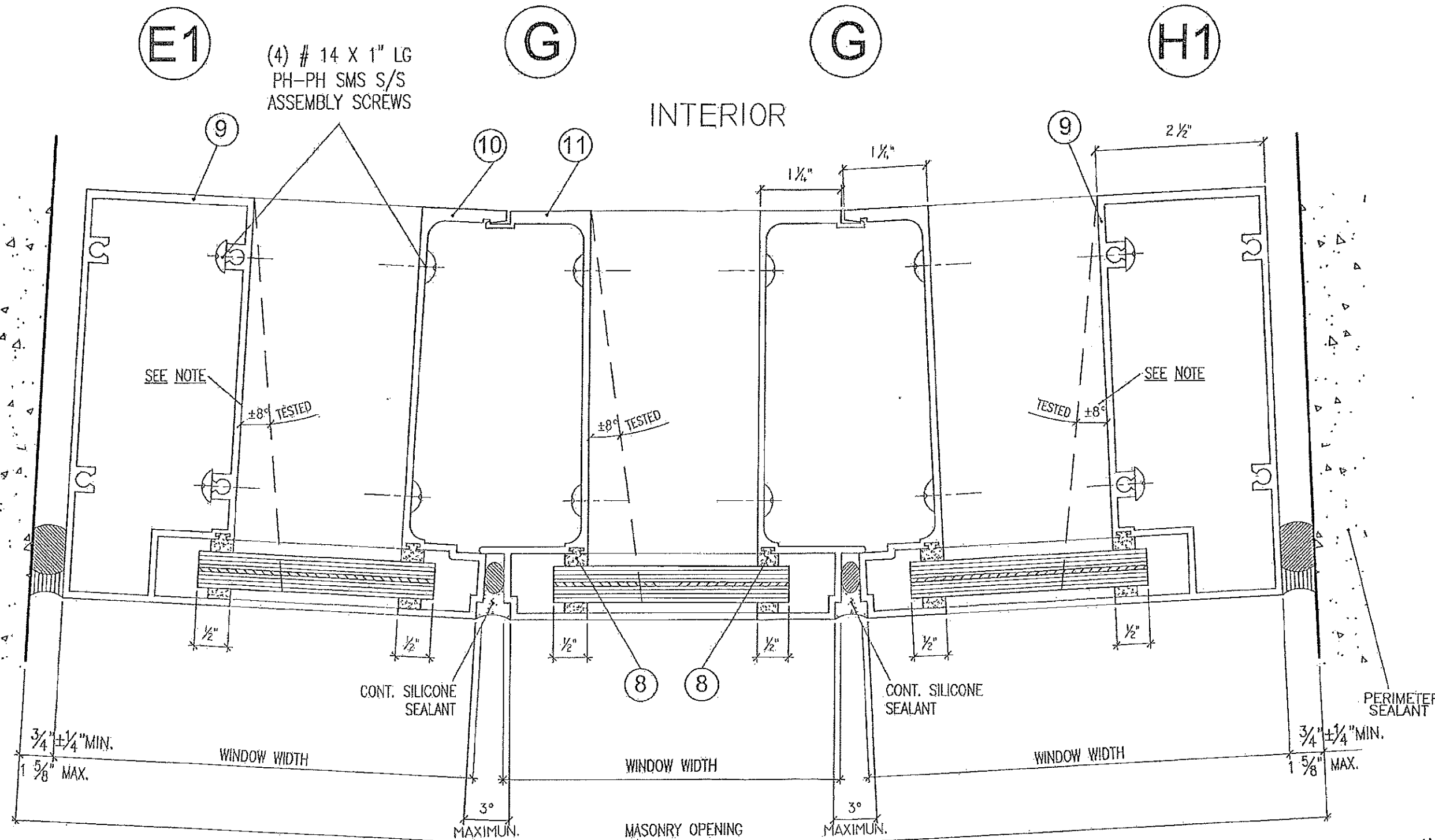
NOTE:
 THE HEAD, SILL & INTERMEDIATE MEMBERS MITER UP TO 8"

APPROVED

PRODUCT REVISED
 as complying with the Florida Building Code
 NOA-No. 15-0827.10
 Expiration Date 03/30/2021

By: *[Signature]*
 Miami-Data Product Control





Continental Glass Systems, LLC.
 325 West 74 Place
 Hialeah Florida, 33014
 Phone 305-231-1101 Fax 305-231-1103

SERIES 3000 ALUMINUM WINDOW WALL SYSTEM
 SMALL MISSILE

REVISION	
No	Description
1	GENERAL
2	PRODUCT CONTROL
3	NO PER COMMENTS

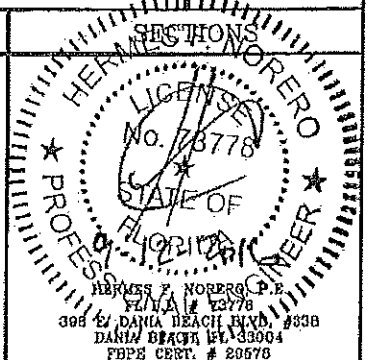
Date: 11-23-05
 Scale:
 Design by: g. s.
 Drawing by: RICHARD
 Checked by: g. s.
 Drawing No.: FXD-3000-SM
 Sheet 8 of 10

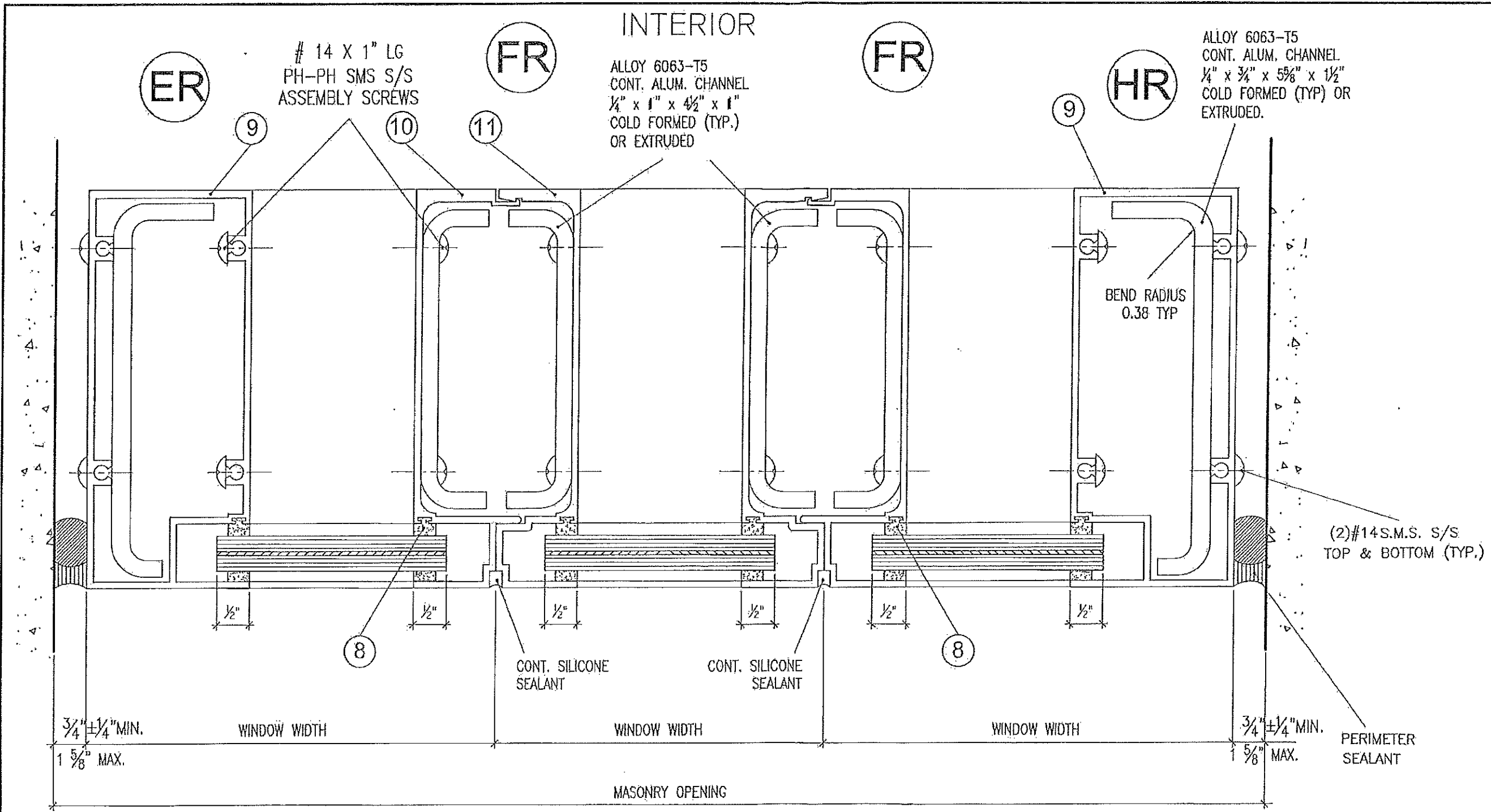
- NOTES:**
1. BACKER ROD DIAMETER EQUALS SEALANT WIDTH x 120%
 2. SEALANT WIDTH TO DEPTH RATIO SHALL BE 2:1 FOR WIDTHS UP TO 1". USE 1/2" DEPTH FOR WIDTHS GREATER THAN 1".

DESIGN LOAD CAPACITY (P.S.F.)		MULLION REINFORCING CHANNELS
POSITIVE	NEGATIVE	
110	110	NO
100	100	NO

NOTE:
 THE HEAD, SILL & INTERMEDIATE MEMBERS MITER UP TO 8"

APPROVED
PRODUCT REVISED
 as complying with the Florida Building Code
 NOA-No. **15-0827.10**
 Expiration Date **03/30/2021**
 By: *[Signature]*
 Miami-Dade Product Control





Continental Glass Systems, LLC.
 325 West 74 Place
 Hialeah Florida, 33014
 Phone 905-231-1101 Fax 905-231-1103

SERIES 3000 ALUMINUM WINDOW WALL SYSTEM
 SMALL MISSILE

REVISION	
No	Description
1	REVISION
2	REVISION
3	REVISION
4	REVISION
5	REVISION
6	REVISION
7	REVISION
8	REVISION
9	REVISION
10	REVISION
11	REVISION

Date: 11-20-09
 Scale:
 Design by: G. S.
 Drawing by: RICHARD
 Checked by: G. S.
 Drawing No.: FXD-3000-SM
 Sheet 7 of 10

- NOTES:
1. BACKER ROD DIAMETER EQUALS SEALANT WIDTH x 120%
 2. SEALANT WIDTH TO DEPTH RATIO SHALL BE 2:1 FOR WIDTHS UP TO 1". USE 1/2" DEPTH FOR WIDTHS GREATER THAN 1".

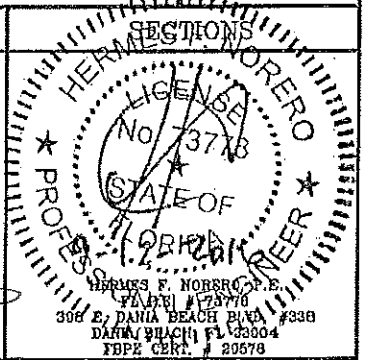
DESIGN LOAD CAPACITY (P.S.F.)		MULLION REINFORCING CHANNELS
POSITIVE	NEGATIVE	
140	140	YES

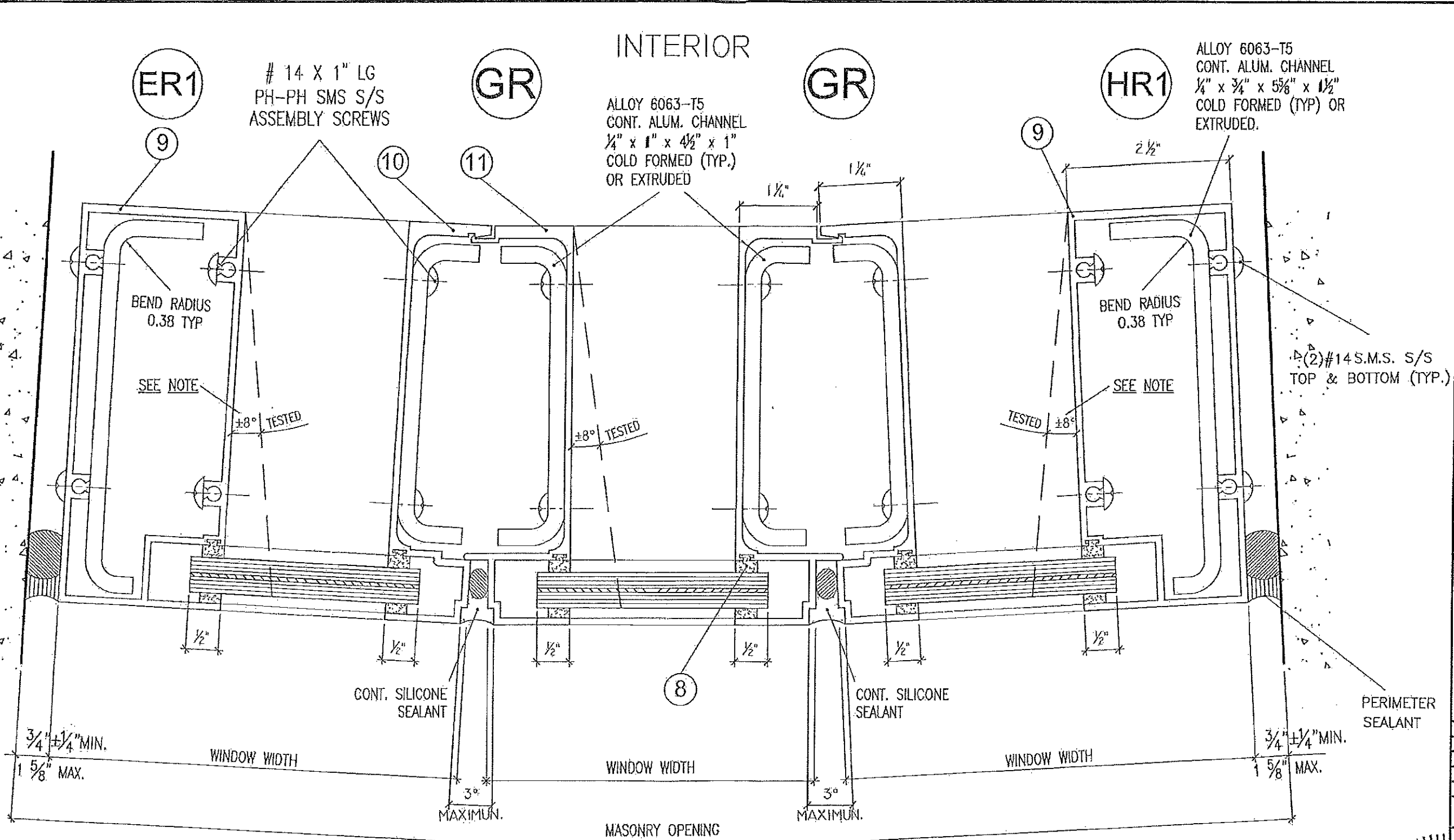
NOTE:
 THE HEAD, SILL & INTERMEDIATE MEMBERS MITER UP TO 8'

APPROVED

PRODUCT REVISED
 as complying with the Florida Building Code
 NOA-No. 15-0827.10
 Expiration Date 03/30/2021

By: *[Signature]*
 Miami-Dade Product Control





Continental Glass Systems, I.L.C.
 325 West 74 Place
 Hialeah, Florida, 33014
 Phone 305-231-1101 Fax 305-231-1103

SERIES 3000 ALUMINUM WINDOW WALL SYSTEM
 SMALL MISSILE

REVISION	
No	Description
1	RENEWAL
2	PRODUCT CONTROL
3	AD. REC. COMMENTS

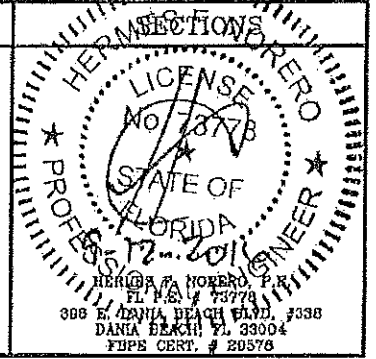
Date: 11-23-05
 Scale:
 Design by: C. S.
 Drawing by: RICHARD
 Checked by: G. B.
 Drawing No. FXD-3000-SM
 Sheet 8 of 10

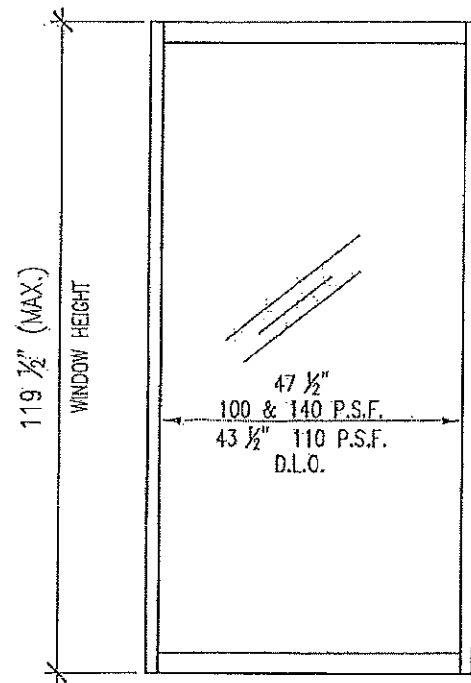
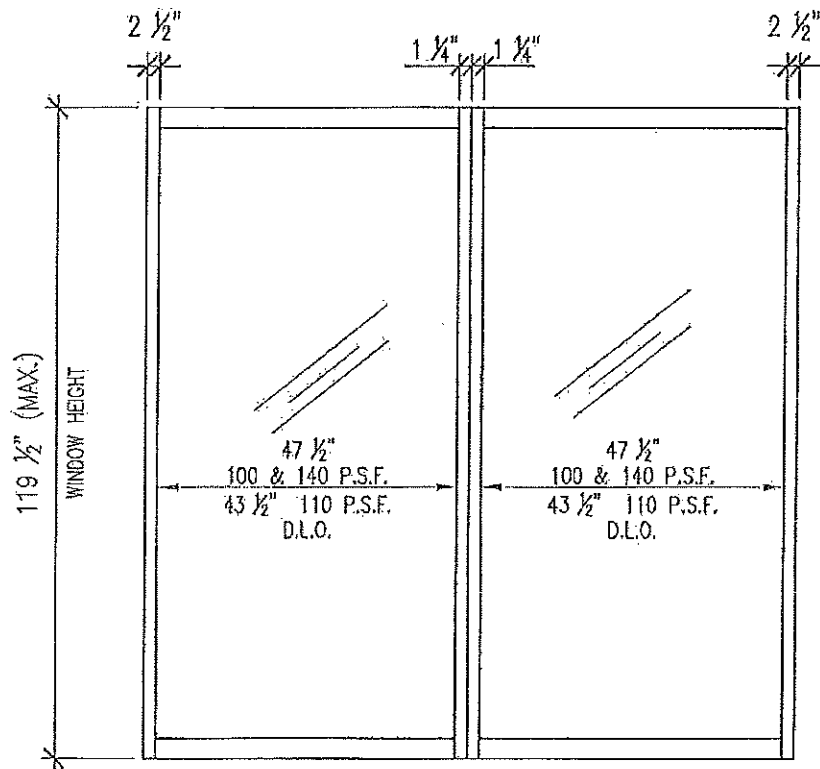
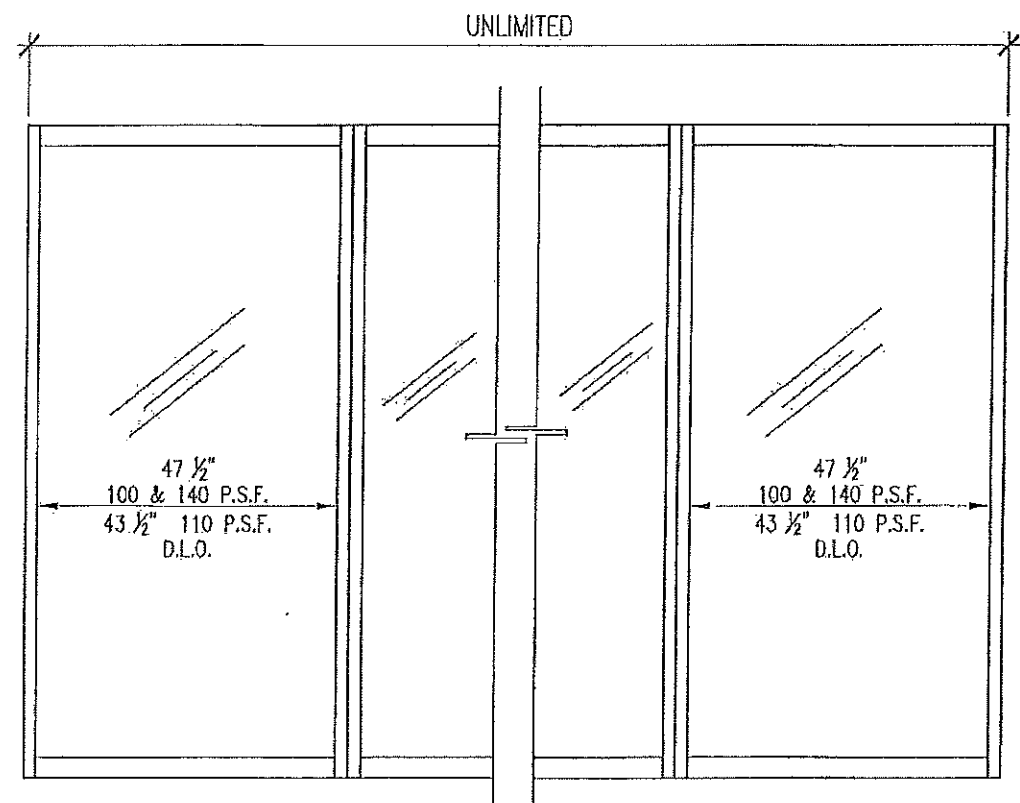
- NOTES:
1. BACKER ROD DIAMETER EQUALS SEALANT WIDTH x 120%
 2. SEALANT WIDTH TO DEPTH RATIO SHALL BE 2:1 FOR WIDTHS UP TO 1". USE 1/2" DEPTH FOR WIDTHS GREATER THAN 1".

DESIGN LOAD CAPACITY (P.S.F.)		MULLION REINFORCING CHANNELS
POSITIVE	NEGATIVE	
140	140	YES

NOTE:
 THE HEAD, SILL & INTERMEDIATE MEMBERS MITER UP TO 8'

APPROVED
PRODUCT REVISED
 as complying with the Florida Building Code
 NOA-No. 15-0827.10
 Expiration Date 03/30/2021
 By *[Signature]*
 Miami-Dade Product Control





FOUR (4)
NO. 14 X 1"
PH SMS

FOUR (4)
NO. 14 X 1"
PH SMS

FOUR (4)
NO. 14 X 1"
PH SMS

FOUR (4)
NO. 14 X 1"
PH SMS

FOUR (4)
NO. 14 X 1"
PH SMS

FOUR (4)
NO. 14 X 1"
PH SMS

CONSTRUCTION DETAILS

Continental Glass Systems, LLC.
325 West 74 Place
Hialeah Florida, 33014
Phone 905-231-1101 Fax 905-231-1103

SERIES 3000 ALUMINUM WINDOW WALL SYSTEM
SMALL MISSILE

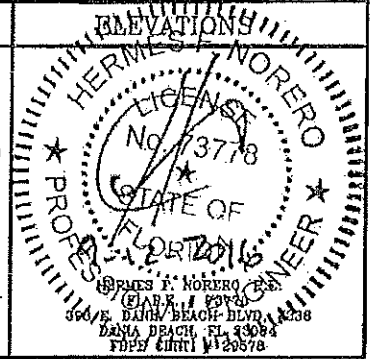
REVISION				
No	Date	By	Description	
1	01-04-2011	R. P.	RENEWAL	
2	11-14-2012	M.P.F.	PRODUCT CONTROL	
3	05-29-2015	J.M.	AD. REV. COMMENTS	

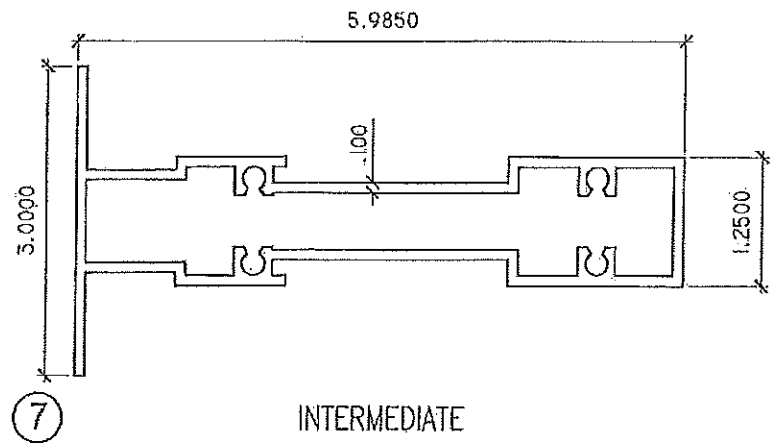
Date 11-23-05
Scale
Design by G. S.
Drawing by RICHARD
Checked by G. S.
Drawing No. FXD-3000-SM
Sheet 9 of 10

APPROVED

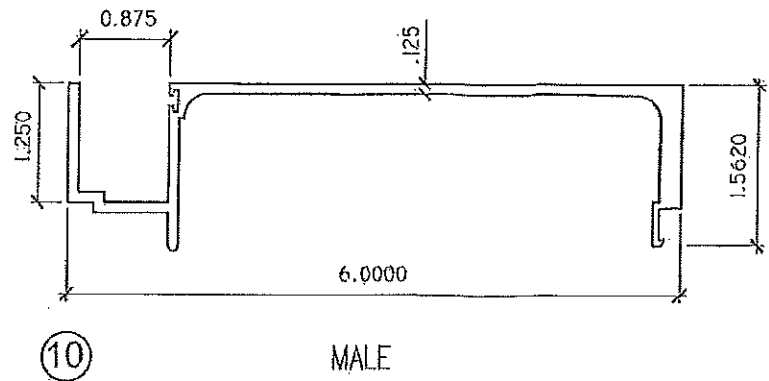
PRODUCT REVISED
as complying with the Florida Building Code
NOA-No. 15-0827.10
Expiration Date 03/30/2021

By
Miami-Dade Product Control

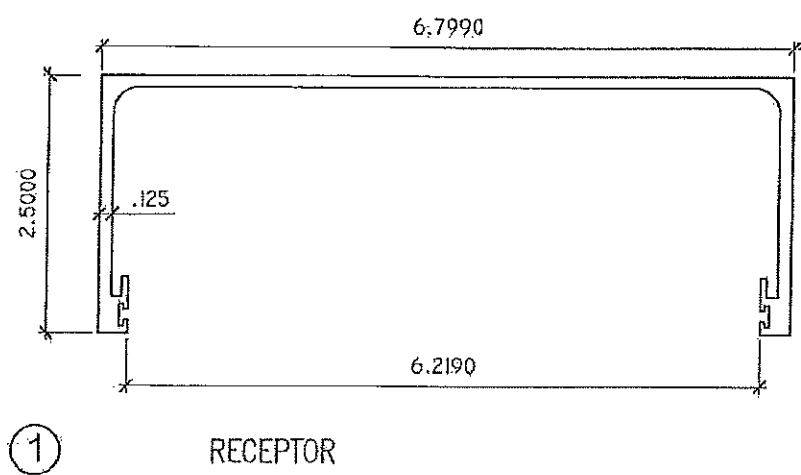




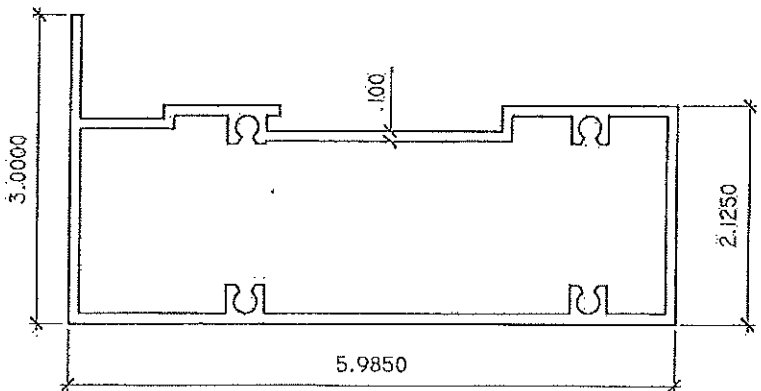
7 INTERMEDIATE



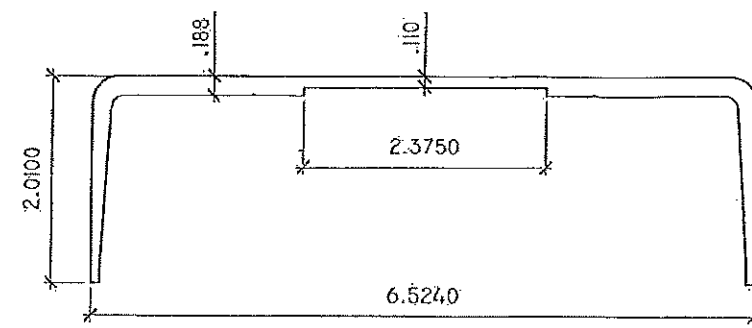
10 MALE



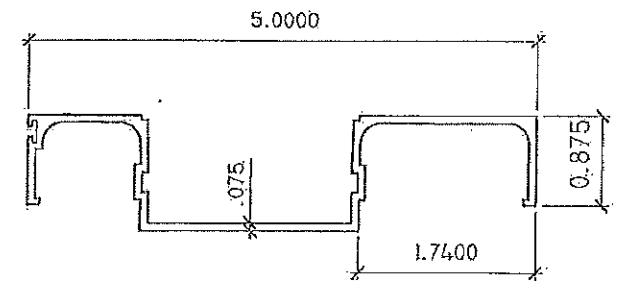
1 RECEPTOR



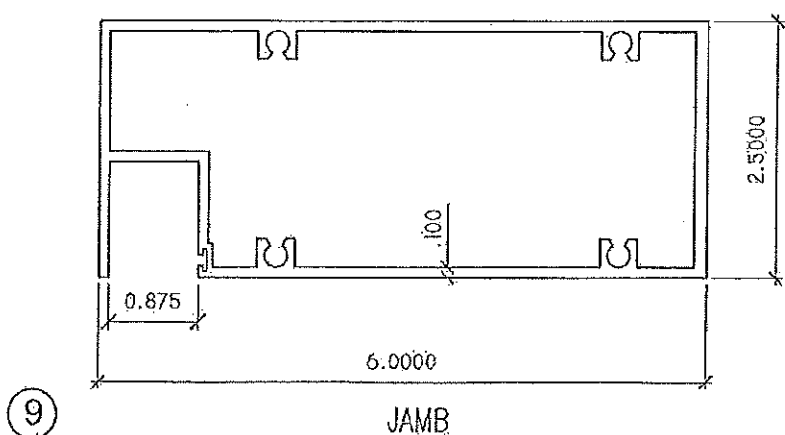
4 HEAD AND SILL



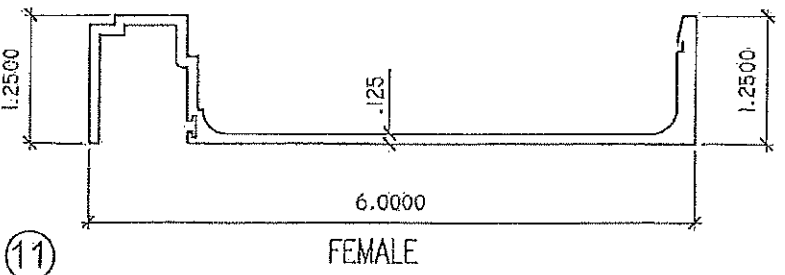
2 REINFORCING



5 BEAD

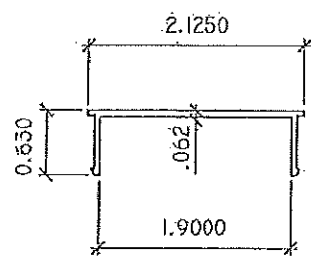


9 JAMB



11 FEMALE

FIXED WINDOW	ITEM NUMBER	PART NUMBER	PART NAME	ALLOY & TEMPER
	1	2000 - 07	RECEPTOR	6005-T5
	2	2000 - 16	REINFORCING	6005-T5
	3	FP-448-V	VINYL BULB	
	4	3000 - 01	HEAD AND SILL	6005-T5
	5	3000 - 03	BEAD	6005-T5
	6	3000 - 07	COVER	6005-T5
	7	3000 - 02	INTERMEDIATE	6005-T5
	8	CGS - 01	GLASS SPACING	
	9	3000 - 04	JAMB	6005-T5
	10	3000 - 05	MALE	6005-T5
11	3000 - 06	FEMALE	6005-T5	



6 COVER NOT USED ON THE TEST

APPROVED

PRODUCT REVISED
as complying with the Florida Building Code
NOA-No. **15-0827.10**
Expiration Date **03/30/2021**
By *[Signature]*
Miami-Dade Product Control

EXTRUSIONS AND PARTS

HERNANDEZ NORRERO
Professional Engineer
No. 128778
STATE OF FLORIDA
398 E. DANIA BEACH BLVD., #338
DANIA BEACH, FLA 33004
FBPE CERT. # 29570

Continental Glass Systems, LLC.
325 West 74 Place
Hialeah Florida, 33014
Phone 305-231-1101 Fax 305-231-1103

SERIES 3000 ALUMINUM WINDOW WALL SYSTEM
SMALL MISSILE

No	Date	By	REVISION	
			Description	Initials
1	03-04-2011	R. P.	REVISION	
2	11-04-2012	M.P.	PRODUCT CONTROL	
3	09-30-2016	R.L.M.	NO NEW COMMENTS	

Date: 11-23-06
Scale:
Design by: G. E.
Drawing by: RICHARD
Checked by: G. S.
Drawing No.: FXD-3000-SM
Sheet 10 of 10