



DEPARTMENT OF REGULATORY AND ECONOMIC RESOURCES (RER)  
BOARD AND CODE ADMINISTRATION DIVISION

MIAMI-DADE COUNTY  
PRODUCT CONTROL SECTION  
11805 SW 26 Street, Room 208  
T (786) 315-2590 F (786) 315-2599  
[www.miamidade.gov/economy](http://www.miamidade.gov/economy)

**NOTICE OF ACCEPTANCE (NOA)**

**Continental Glass Systems, LLC**  
325 West 74 Place  
Hialeah, FL 33014

**SCOPE:**

This NOA is being issued under the applicable rules and regulations governing the use of construction materials. The documentation submitted has been reviewed and accepted by Miami-Dade County RER - Product Control Section to be used in Miami Dade County and other areas where allowed by the Authority Having Jurisdiction (AHJ).

This NOA shall not be valid after the expiration date stated below. The Miami-Dade County Product Control Section (In Miami-Dade County) and/or the AHJ (in areas other than Miami-Dade County) reserve the right to have this product or material tested for quality assurance purposes. If this product or material fails to perform in the accepted manner, the manufacturer will incur the expense of such testing and the AHJ may immediately revoke, modify, or suspend the use of such product or material within their jurisdiction. RER reserves the right to revoke this acceptance, if it is determined by Miami-Dade County Product Control Section that this product or material fails to meet the requirements of the applicable building code.

This product is approved as described herein, and has been designed to comply with the Florida Building Code, including the High Velocity Hurricane Zone.-

**DESCRIPTION: Series "3000" Aluminum Window Wall System - L.M.I.**

**APPROVAL DOCUMENT:** Drawing No. FXD-3000-LM, titled "Series 3000 Aluminum Window Wall System- Large Missile", sheets 1 through 8 of 8, dated 11/23/05, with revision #4 dated 06/30/16, prepared by manufacturer, signed and sealed by Hermes F. Norero, P.E., bearing the Miami-Dade County Product Control Revision stamp with the Notice of Acceptance number and expiration date by the Miami-Dade County Product Control Section.

**MISSILE IMPACT RATING: Large and Small Missile Impact Resistant**

**LABELING:** Each unit shall bear a permanent label with the manufacturer's name or logo, city, state, model/series, and following statement: "Miami-Dade County Product Control Approved", unless otherwise noted herein.

**RENEWAL** of this NOA shall be considered after a renewal application has been filed and there has been no change in the applicable building code negatively affecting the performance of this product.

**TERMINATION** of this NOA will occur after the expiration date or if there has been a revision or change in the materials, use, and/or manufacture of the product or process. Misuse of this NOA as an endorsement of any product, for sales, advertising or any other purposes shall automatically terminate this NOA. Failure to comply with any section of this NOA shall be cause for termination and removal of NOA.

**ADVERTISEMENT:** The NOA number preceded by the words Miami-Dade County, Florida, and followed by the expiration date may be displayed in advertising literature. If any portion of the NOA is displayed, then it shall be done in its entirety.

**INSPECTION:** A copy of this entire NOA shall be provided to the user by the manufacturer or its distributors and shall be available for inspection at the job site at the request of the Building Official.

This NOA revises and renews NOA# 12-1120.09 and consists of this page 1 and evidence pages E-1 and E-2, as well as approval document mentioned above.

The submitted documentation was reviewed by **Jorge M. Plasencia, P.E.**



*JM*  
9/16/2016

NOA No. 15-0827.11  
Expiration Date: March 30, 2021  
Approval Date: September 22, 2016  
Page 1

**Continental Glass Systems, LLC**

**NOTICE OF ACCEPTANCE: EVIDENCE SUBMITTED**

**A. DRAWINGS**

1. Manufacturer's die drawings and sections.  
*(Submitted under NOA No. 05-1220.18)*
2. Drawing No. **FXD-3000-LM**, titled "Series 3000 Aluminum Window Wall System - Large Missile, sheet 1 through 8 of 8, prepared by manufacturer, dated 11/23/05, with revision #4 dated 06/30/16, signed and sealed by Hermes F. Norero, P.E.

**B. TESTS**

1. Test reports on:
  - 1) Air Infiltration Test, per FBC, TAS 202-94
  - 2) Uniform Static Air Pressure Test, Loading per FBC, TAS 20294
  - 3) Water Resistance Test, per FBC, TAS 202-94
  - 4) Large Missile Impact Test per FBC, TAS 201-94
  - 5) Cyclic Wind Pressure Loading per FBC, TAS 203-94along with marked-up drawings and installation diagram of an aluminum window wall system window, prepared by Fenestration Testing Laboratory, Inc., Test Report No. **FTL-4727** dated 10/04/05, signed and sealed by Edmundo J. Largaespada, P.E.  
*(Submitted under previous NOA #05-1220.18)*

**C. CALCULATIONS**


1. Anchor verification calculations and structural analysis, complying with FBC-2010, dated 01/01/11, updated on 06/22/15 and revised on 08/02/16 to comply with **FBC-5<sup>th</sup> Edition (2014)**, prepared by Building Drops, Inc., signed and sealed by Hermes F. Norero, P.E.
2. Glazing complies with **ASTM E1300-09**

**D. QUALITY ASSURANCE**

1. Miami-Dade Department of Regulatory and Economic Resources (RER).

**E. MATERIAL CERTIFICATIONS**

1. Notice of Acceptance No. **14-0916.11** issued to **Kuraray America, Inc.** for their "**SentryGlas® (Clear and White) Interlayer**" dated 06/25/15, expiring on 07/04/18.

  
\_\_\_\_\_  
Jorge M. Plasencia, P.E.  
Product Control Unit Supervisor  
NOA No. 15-0827.11  
Expiration Date: March 30, 2021  
Approval Date: September 22, 2016

**Continental Glass Systems, LLC**

**NOTICE OF ACCEPTANCE: EVIDENCE SUBMITTED**

**F. STATEMENTS**

1. Statement letter of conformance, complying with **FBC-5<sup>th</sup> Edition (2014)**, and of no financial interest, dated June 22, 2015, issued by Building Drops, Inc., signed and sealed by Hermes Norero, P.E.
2. Letter from manufacturer requesting name change from Continental Glass System, Inc. to **Continental Glass System, LLC**, dated April 4, 2016, signed by Samir Moussa, COO.
3. Assignment Agreement dated April 21, 2015 between **Continental Glass System, Inc.** a Florida Corporation (Assignor) and **Continental Glass System, LLC** a Delaware Limited Liability Company (Assignee) signed by Shlomo Epstein, (Assignor) and Samir Moussa (Assignee) and Paul L. Rudy III for Graham Architectural Products Corporation (the "Purchase Agreement").
4. Notification of Successor Engineer for manufacturer's NOA document per **Section 61G15-27.001** of the **Florida Administrative Code**, notifying original engineer that the successor engineer is assuming full professional and legal responsibility for all engineering documents pertaining to this NOA, dated June 22, 2015, signed and sealed by Hermes F. Norero, P.E.

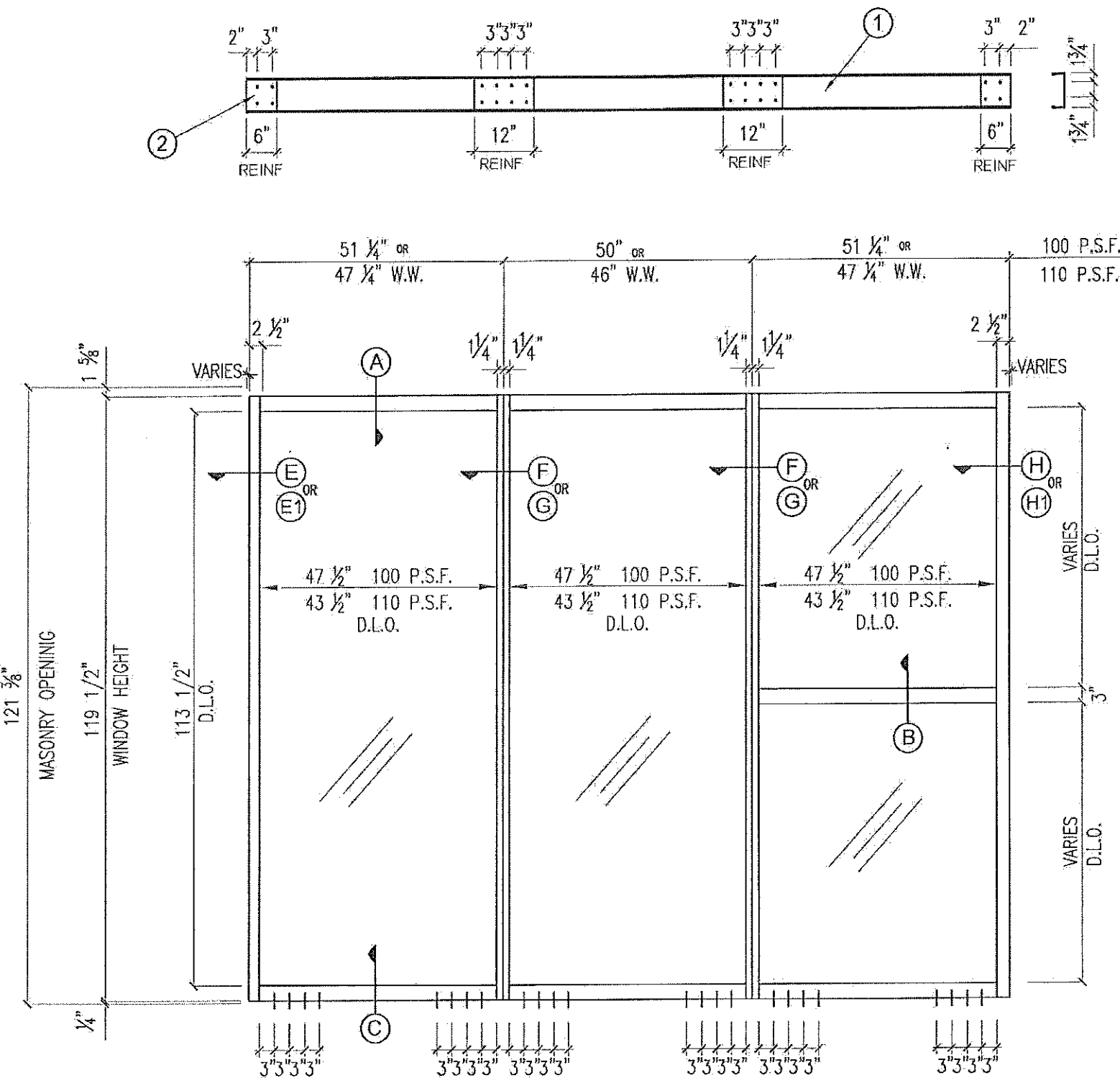
**G. OTHERS**

1. Notice of Acceptance No. **12-1120.09**, issued to Continental Glass Systems, Inc. for their Series "3000" Aluminum Window Wall System – L.M.I., approved on 01/31/13 and expiring on 03/30/16.

---

**Jorge M. Plasencia, P.E.**  
**Product Control Unit Supervisor**  
**NOA No. 15-0827.11**  
**Expiration Date: March 30, 2021**  
**Approval Date: September 22, 2016**

# HEAD RECEPTOR



FIXED WINDOW ELEVATION  
EXTERIOR VIEW

DESIGN LOAD CAPACITY (P.S.F.)		MAXIMUM D.L.O. WIDTH	MAXIMUM WINDOW WIDTH
POSITIVE	NEGATIVE		
110	110	43 1/2"	46
100	100	47 1/2"	50

## SERIES 3000 ALUMINUM WINDOW WALL SYSTEM - L.M.I.

### NOTES:

- THIS FIXED WINDOW SYSTEM IS DESIGNED AND TESTED TO COMPLY WITH THE REQUIREMENTS OF THE 5TH EDITION FLORIDA BUILDING CODE (FBC) CHAPTER 16 AND 24, UNDER THE SPECIFIC CONDITION SHOWN ON THIS DRAWING. REF. FTL No. 4727 (DATED 4th OCT. 2005)
- ALL EXTRUSIONS ARE ALUMINUM, 6005-T5 ALLOY, WITH A MINIMUM  $F_y$  OF 35,000 P.S.I.
- LARGE MISSILE IMPACT: INSTALLATION UP TO 30 FT ABOVE GRADE WILL NOT REQUIRE A HURRICANE PROTECTION SYSTEM.
- ALL INSTALLATION ANCHORS ARE 5/16"  $\phi$  ELCO ULTRACONS. 1 3/4" MIN EMBEDMENT INTO 3515 PSI CONCRETE OR BETTER.
- SHIMS. USE HARD PLASTIC
- APPROVED STRUCTURAL SILICONE:
  - A) 795 DOW CORNING
  - B) SCS 2000 BY GE
  - C) PROGLAZE SSG BY TREMCO
- APPROVED PERIMETER SILICONE SEALANT: 790 & 795 DOW CORNING

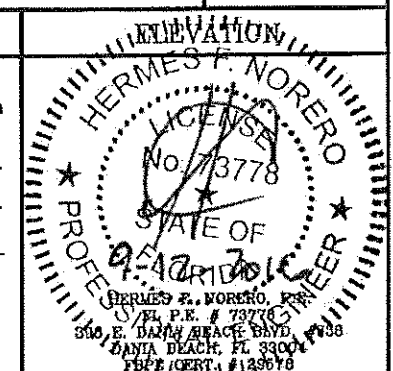
Continental Glass Systems, LLC.  
325 West 74 Place  
Hialeah Florida, 33014  
Phone 305-231-1101 Fax 305-231-1103

SERIES 3000 ALUMINUM WINDOW WALL SYSTEM  
LARGE MISSILE

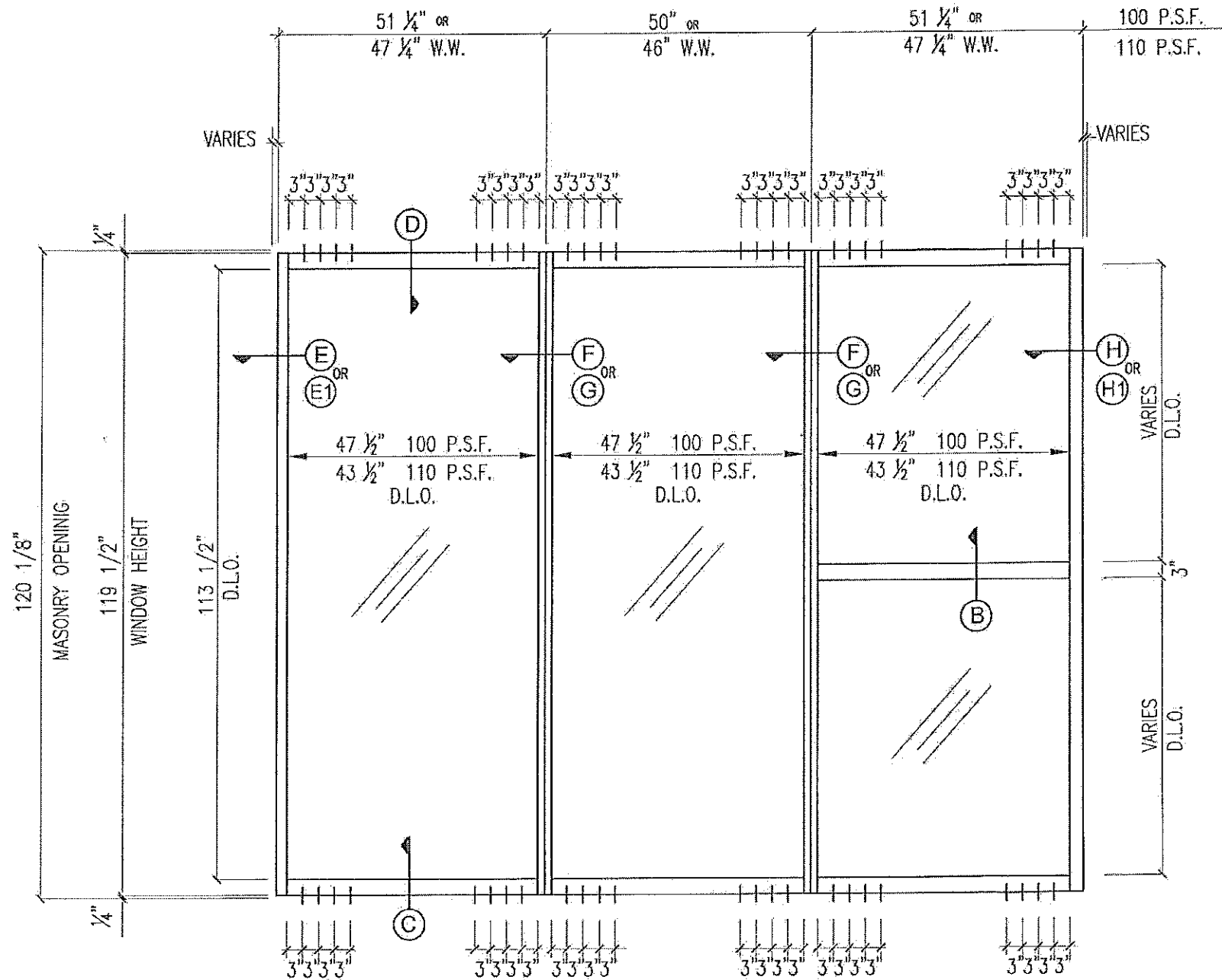
REVISION	
No	Date
1	01-04-2011 R.P. REVISION
2	11-14-2012 M.E.P. PRODUCT CONTROL
3	6-14-2016 S.M. UPDATE & E.O.R. CHANGE
4	06-30-2018 S.M. MD REVISION

Date: 11-23-06  
Scale:  
Design by: G. S.  
Drawing by: RICHARD  
Checked by: G. S.  
Drawing No.: FXD-3000-LM  
Sheet 1 of 8

APPROVED  
PRODUCT REVISED  
as complying with the Florida Building Code  
NOA-No. 15-0827.11  
Expiration Date 03/30/2021  
By: [Signature]  
Miami-Dade Product Control

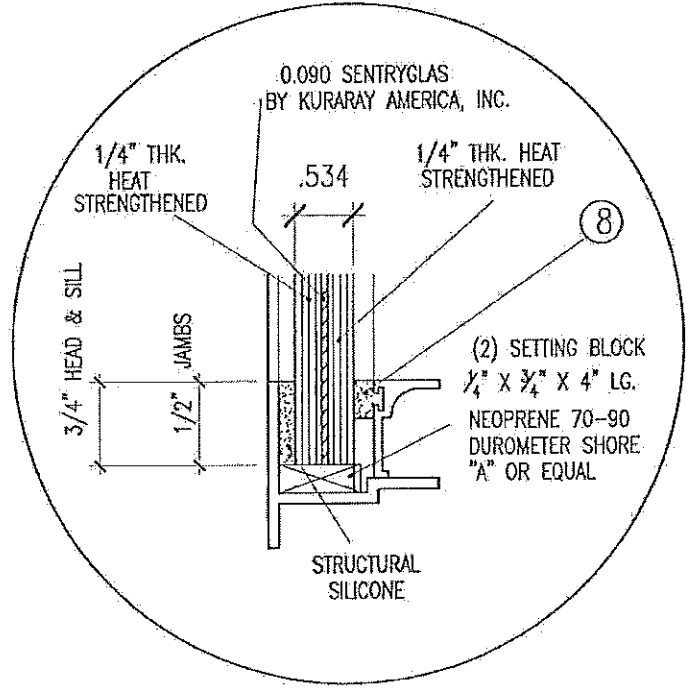


# HEAD STANDARD FRAME



FIXED WINDOW ELEVATION  
EXTERIOR VIEW

DESIGN LOAD CAPACITY (P.S.F.)		MAXIMUM D.L.O. WIDTH	MAXIMUM WINDOW WIDTH
POSITIVE	NEGATIVE		
110	110	43 1/2"	46
100	100	47 1/2"	50



GLAZING DETAIL

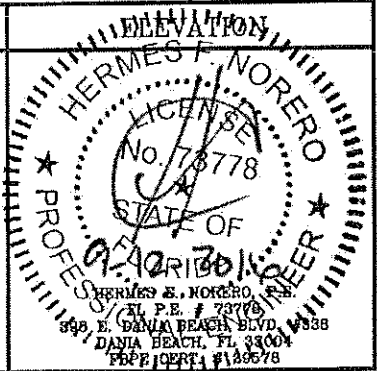
Continental Glass Systems, LLC.  
325 West 74 Place  
Hialeah Florida, 33014  
Phone 305-231-1101 Fax 305-231-1103

SERIES 3000 ALUMINUM WINDOW WALL SYSTEM  
LARGE MISSILE

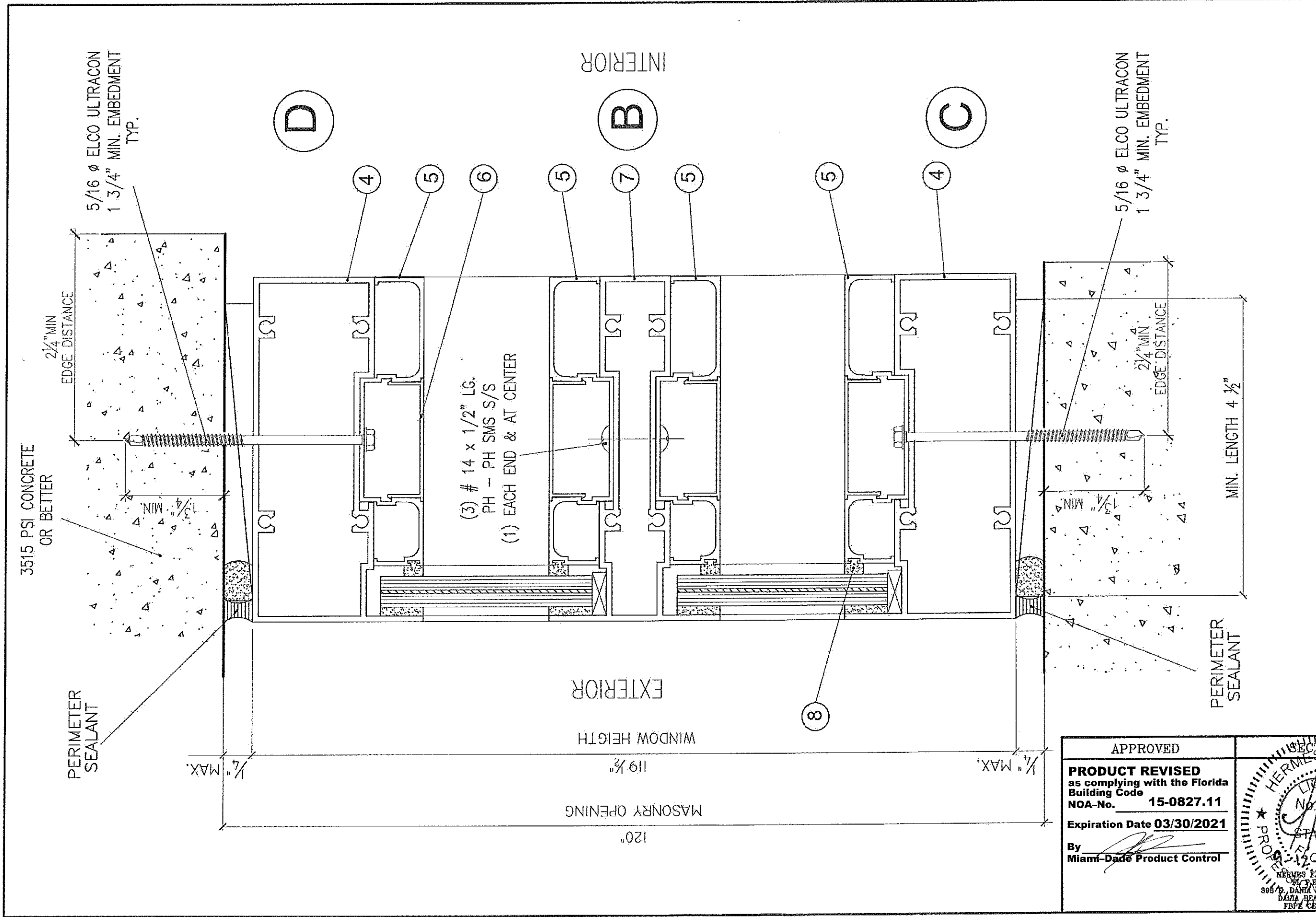
REVISION	
No	Description
A	REVISION
B	PRODUCT CONTROL
C	MD PER COMMENTS

Date 11-23-05  
Scale  
Design by G. S.  
Drawing by RICHARD  
Checked by G. S.  
Drawing No. FXD-3000-LM  
Sheet 2 of 8

APPROVED  
PRODUCT REVISED  
as complying with the Florida Building Code  
NOA-No. 15-0827.11  
Expiration Date 03/30/2021  
By  
Miami-Dade Product Control







Continental Glass Systems, LLC.  
 325 West 74 Place  
 Hialeah Florida, 33014  
 Phone 305-231-1101 Fax 305-231-1103

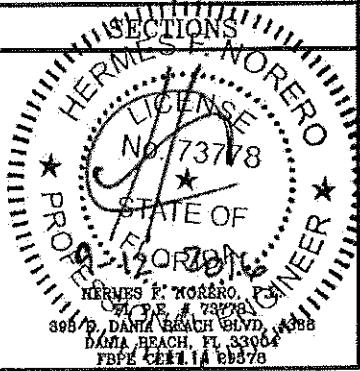
SERIES 3000 ALUMINUM WINDOW WALL SYSTEM  
 LARGE MISSILE

REVISION	
No	Date
1	01-04-2011
2	11-14-2012
3	04-05-2015

Date	11-23-08
Scale	
Design by	G. S.
Drawing by	RICHARD
Checked by	G. S.
Drawing No.	FXD-3000-LM
Sheet	4 of 8

APPROVED

**PRODUCT REVISED**  
 as complying with the Florida Building Code  
 NOA-No. **15-0827.11**  
 Expiration Date **03/30/2021**  
 By *[Signature]*  
 Miami-Dade Product Control

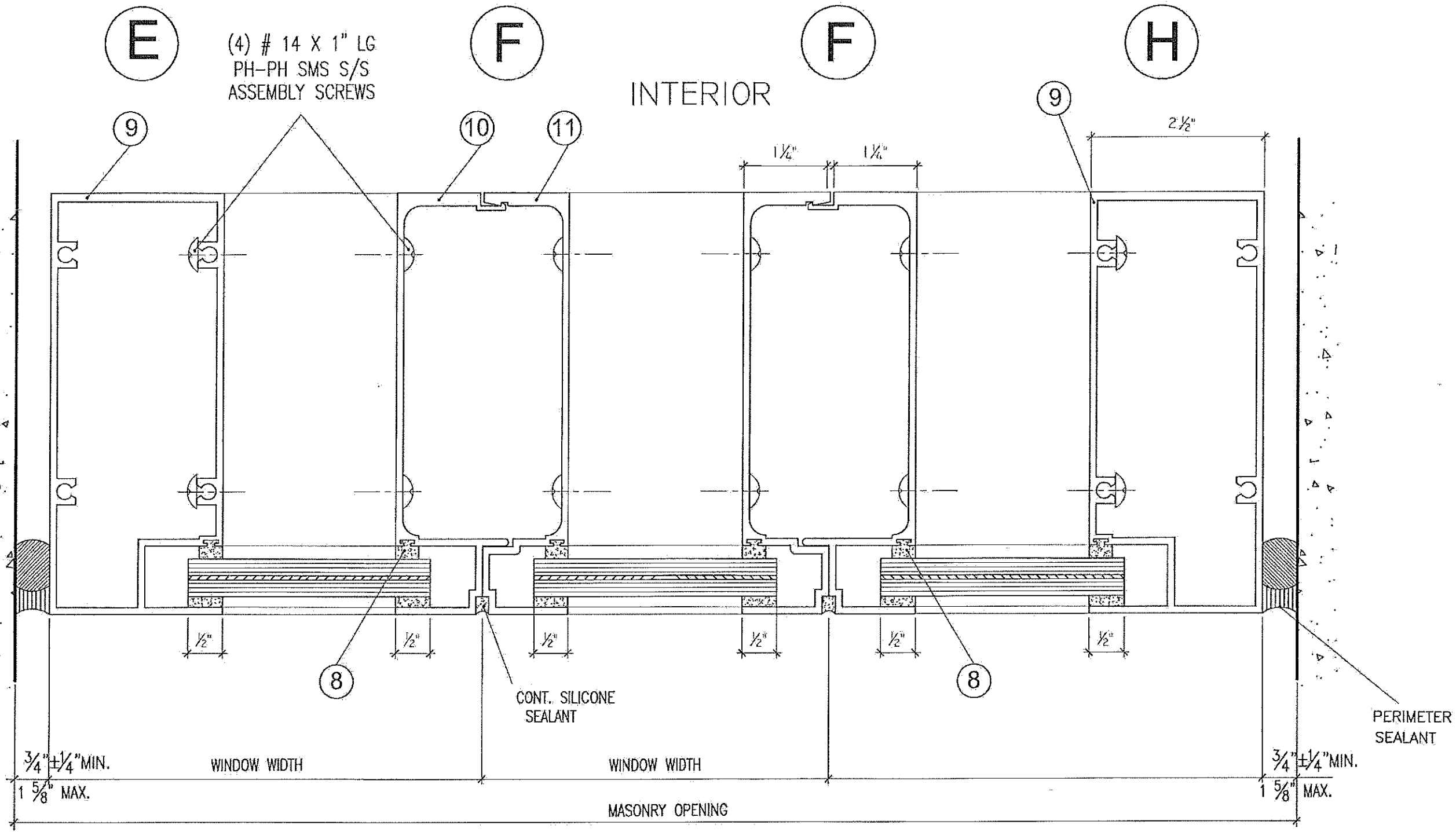


Continental Glass Systems, LLC.  
 325 West 74 Place  
 Hialeah Florida, 33014  
 Phone 305-231-1101 Fax 305-231-1103

SERIES 3000 ALUMINUM WINDOW WALL SYSTEM  
 LARGE MISSILE

REVISION	
No	Description
A	GENERAL
B	PRODUCT CONTROL
C	MD PER COMMENTS

Date: 11-23-05  
 Scale:  
 Design by: G. S.  
 Drawing by: RICHARD  
 Checked by: G. S.  
 Drawing No.: FXD-3000-LM  
 Sheet 5 of 8

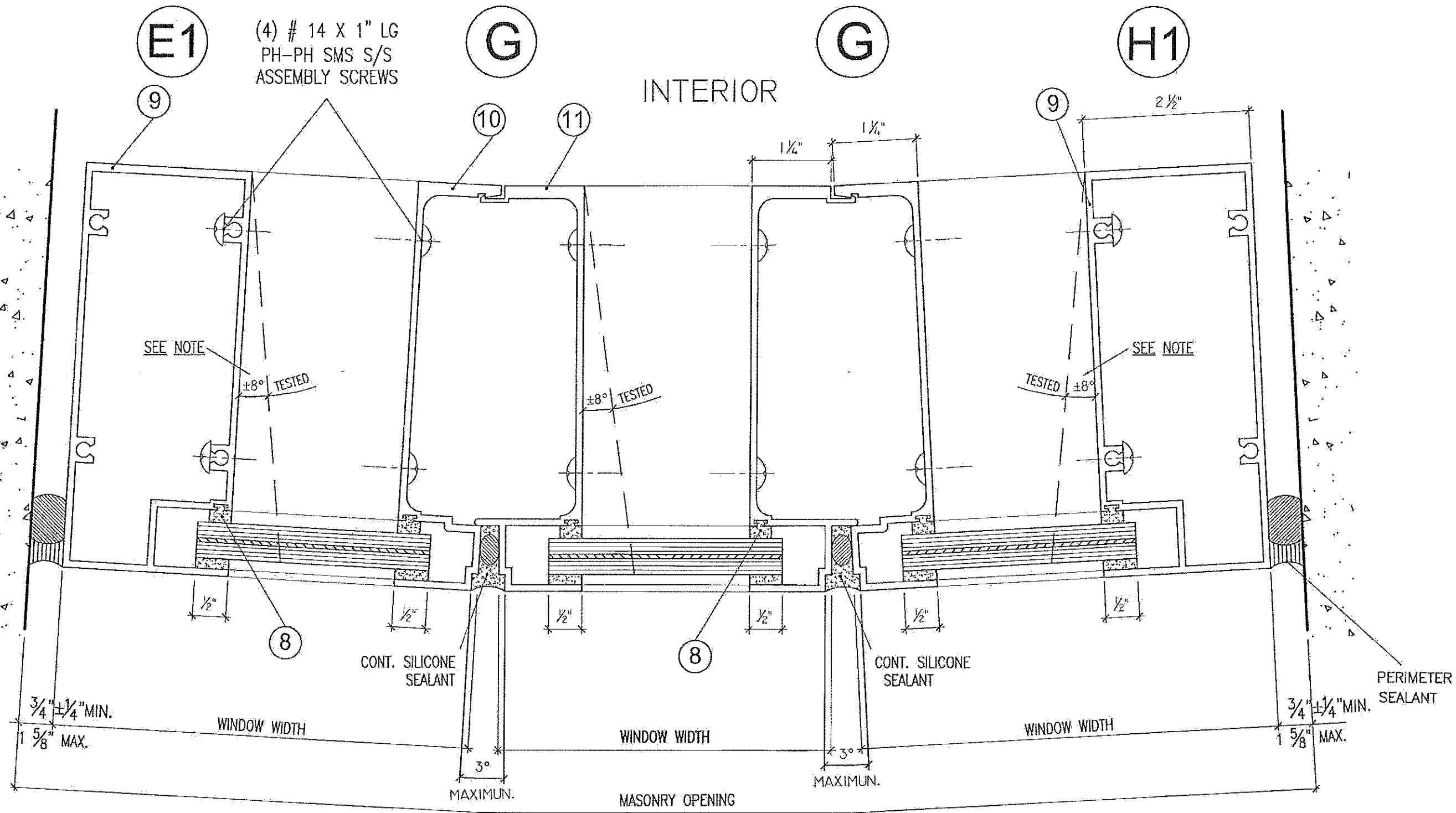


NOTES:  
 1. BACKER ROD DIAMETER EQUALS SEALANT WIDTH x 120%  
 2. SEALANT WIDTH TO DEPTH RATIO SHALL BE 2:1 FOR WIDTHS UP TO 1". USE 1/2" DEPTH FOR WIDTHS GREATER THAN 1".

APPROVED  
**PRODUCT REVISED**  
 as complying with the Florida Building Code  
 NOA-No. 15-0827.11  
 Expiration Date 03/30/2021  
 By: *[Signature]*  
 Miami-Dade Product Control







- NOTES:**
1. BACKER ROD DIAMETER EQUALS SEALANT WIDTH x 120%
  2. SEALANT WIDTH TO DEPTH RATIO SHALL BE 2:1 FOR WIDTHS UP TO 1". USE 1/2" DEPTH FOR WIDTHS GREATER THAN 1".

**NOTE:**  
THE HEAD, SILL & INTERMEDIATE MEMBERS MITER UP TO 8°

Continental Glass Systems, LLC.  
925 West 74 Place  
Hialeah Florida, 33014  
Phone 305-231-1101 Fax 305-231-1103

SERIES 3000 ALUMINUM WINDOW WALL SYSTEM  
LARGE MISSILE

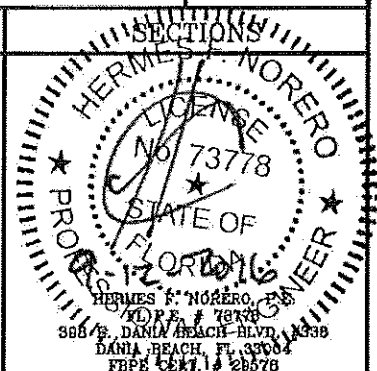
REVISION	
No	Description
1	REVISION
2	PRODUCT CONTROL
3	MD HER COMMENTS

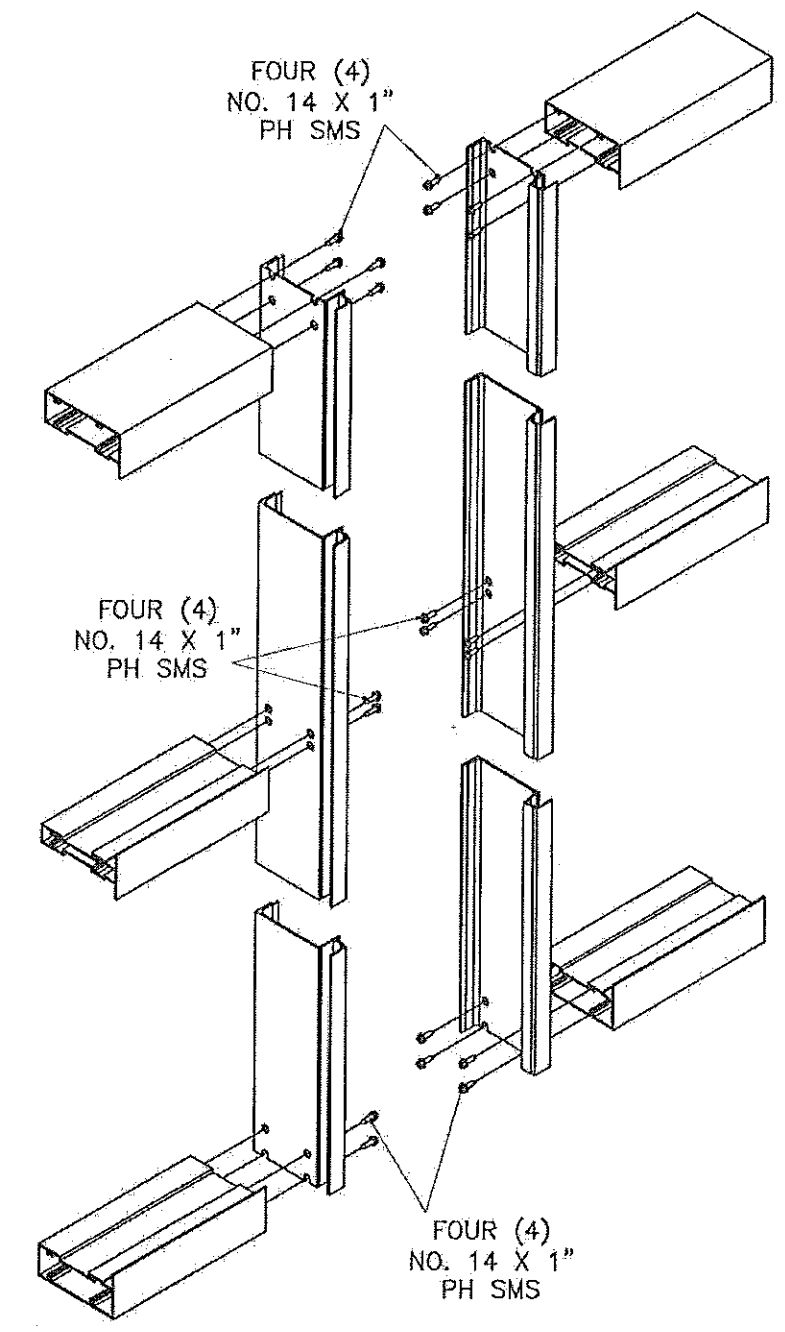
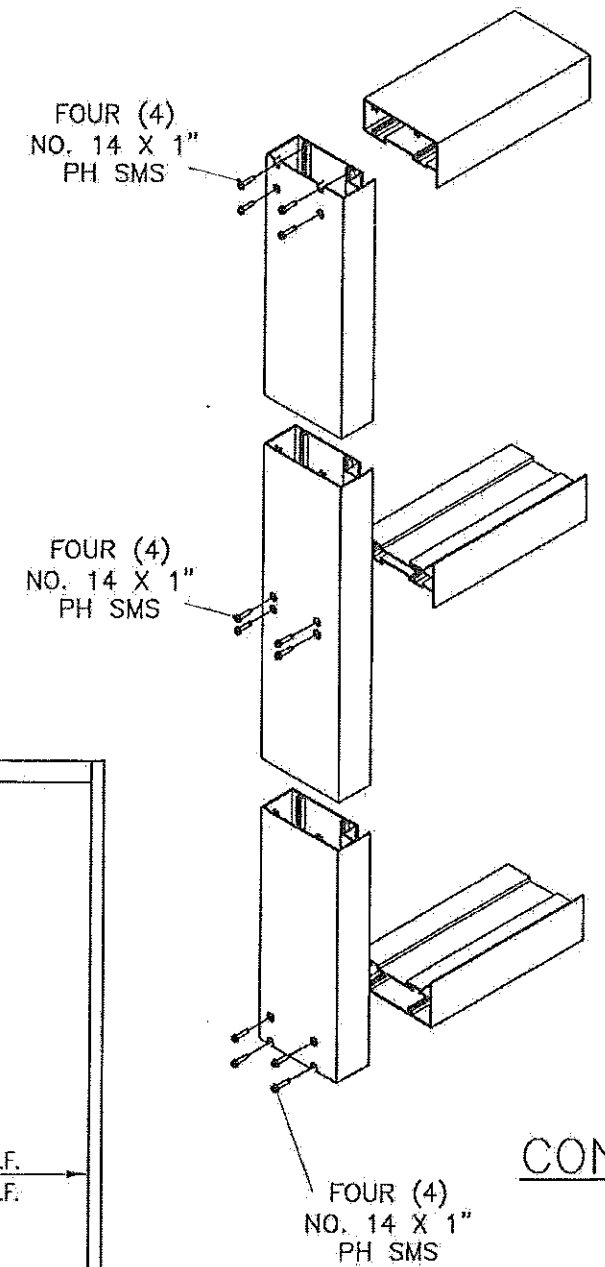
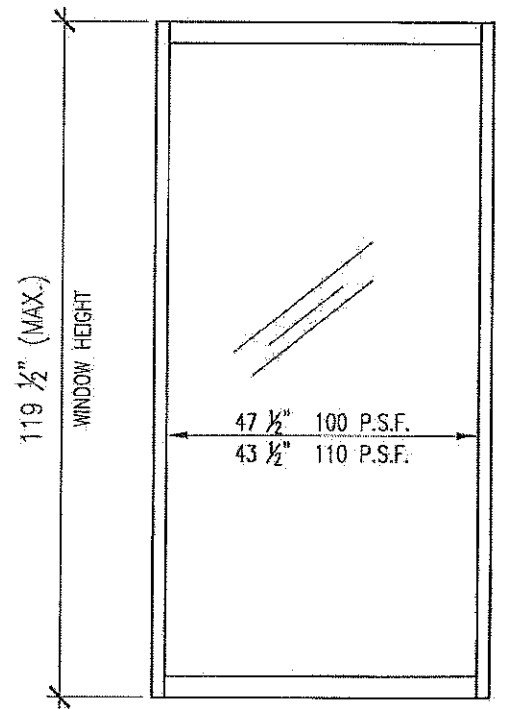
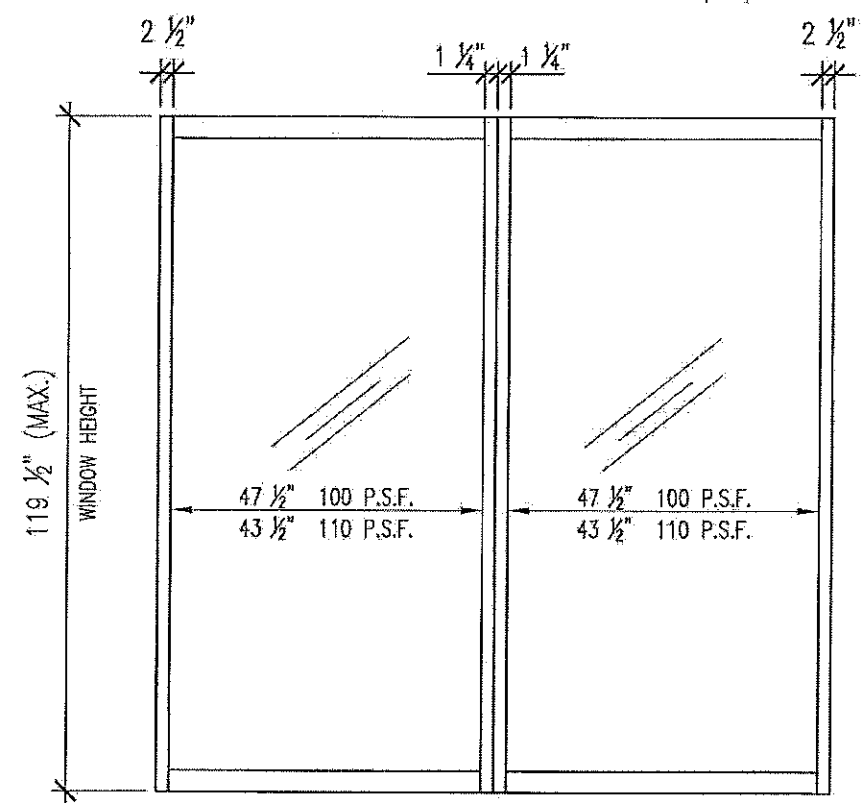
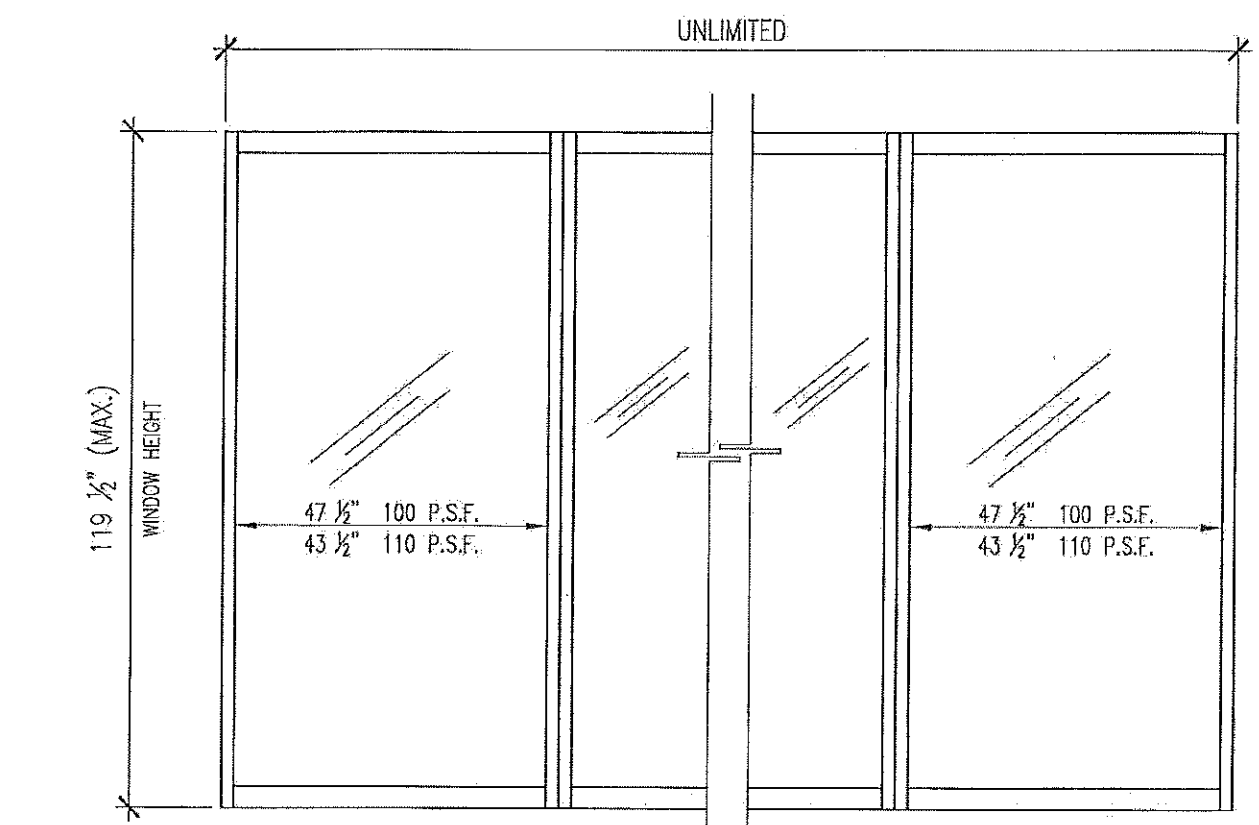
Date	11-23-05
Scale	
Design by	G. S.
Drawing by	RICHARD
Checked by	G. S.
Drawing No.	FXD-3000-LM
Sheet	6 of 8

APPROVED

**PRODUCT REVISED**  
as complying with the Florida Building Code  
NOA-No. 15-0827.11  
Expiration Date 03/30/2021

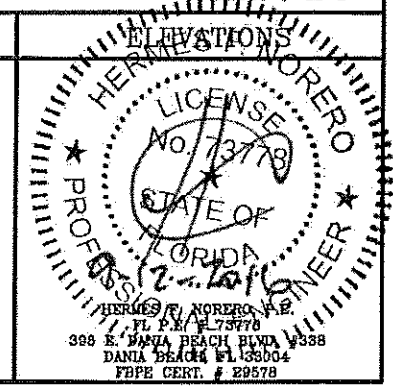
By  
Miami-Dade Product Control





CONSTRUCTION DETAILS

APPROVED  
**PRODUCT REVISED**  
 as complying with the Florida  
 Building Code  
 NOA-No. **15-0827.11**  
 Expiration Date **03/30/2021**  
 By *[Signature]*  
 Miami-Dade Product Control



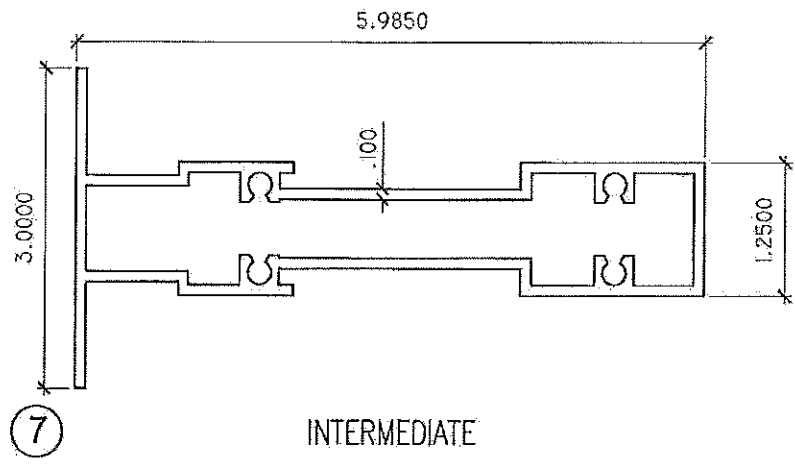
REVISION	
No	Description
A	REVISION
B	PRODUCT CONTROL
C	MD REC COMMENTS

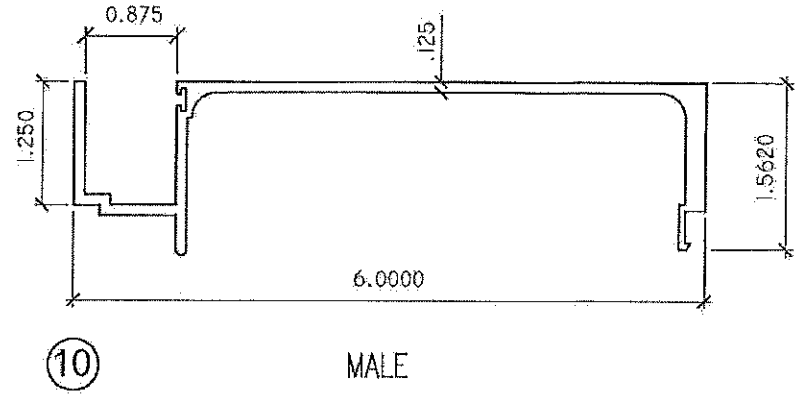
Date	11-23-05
Scale	
Design by	G. S.
Drawing by	RICHARD
Checked by	G. S.
Drawing No.	FXD-3000-1M
Sheet 7 of 8	

Continental Glass Systems, LLC.  
 325 West 74 Place  
 Hialeah Florida, 33014  
 Phone 305-231-1101 Fax 305-231-1103

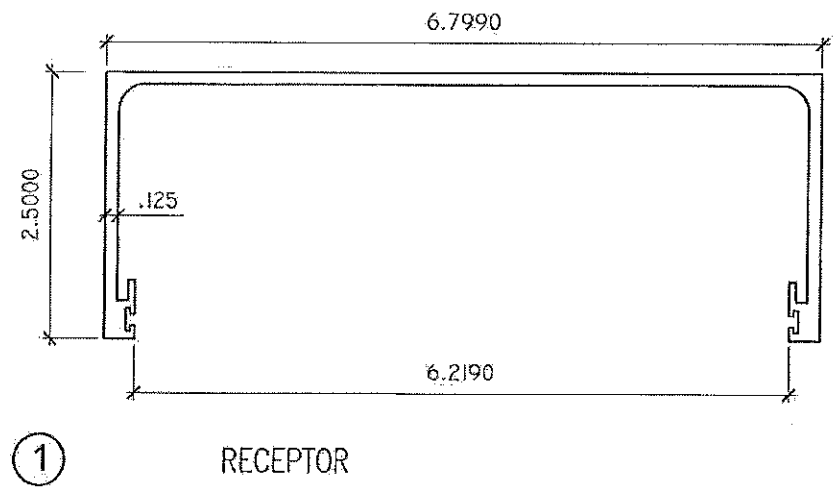
SERIES 3000 ALUMINUM WINDOW WALL SYSTEM  
 LARGE MISSILE



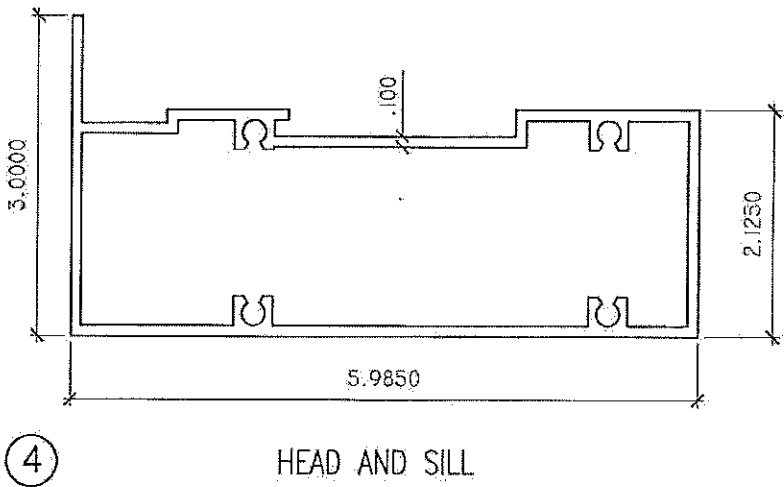
7 INTERMEDIATE



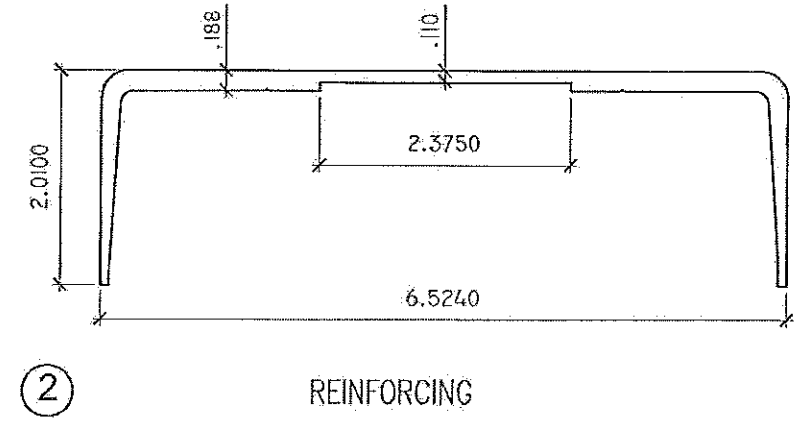
10 MALE



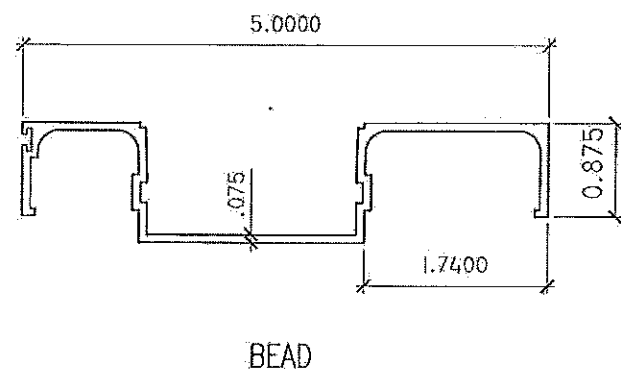
1 RECEPTOR



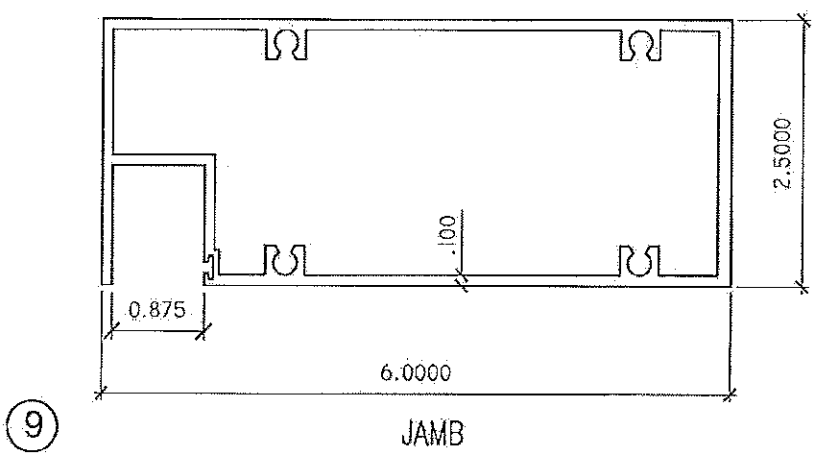
4 HEAD AND SILL



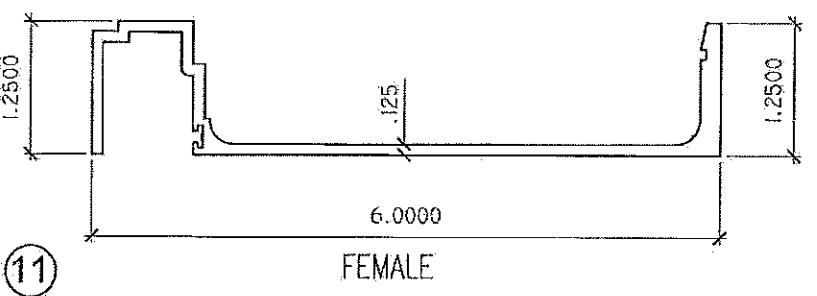
2 REINFORCING



5 BEAD

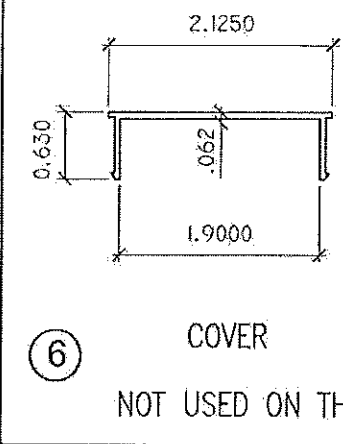


9 JAMB



11 FEMALE

FIXED WINDOW	ITEM NUMBER	PART NUMBER	PART NAME	ALLOY & TEMPERED
	1	2000 - 07	RECEPTOR	6005-T5
	2	2000 - 16	REINFORCING	6005-T5
	3	FP-448-V	VINYL BULB	
	4	3000 - 01	HEAD AND SILL	6005-T5
	5	3000 - 03	BEAD	6005-T5
	6	3000 - 07	COVER	6005-T5
	7	3000 - 02	INTERMEDIATE	6005-T5
	8	CGS - 01	GLASS SPACING	
	9	3000 - 04	JAMB	6005-T5
	10	3000 - 05	MALE	6005-T5
11	3000 - 06	FEMALE	6005-T5	



6 COVER  
NOT USED ON THE TEST

Continental Glass Systems, LLC.  
325 West 74 Place  
Hialeah Florida, 33014  
Phone 305-231-1101 Fax 305-231-1103

SERIES 3000 ALUMINUM WINDOW WALL SYSTEM  
LARGE MISSILE

REVISION					
No	Date	By	Description	REVISION	NO PER COMMENTS
1	01-04-2013	E.P.	REWORK		
2	11-14-2013	MJP	PRODUCT CONTROL		
3	04-30-2015	SIL	NO PER COMMENTS		

Date: 11-23-05  
Scale:  
Design by: G.S.  
Drawing by: RICHARD  
Checked by: G.S.  
Drawing No.: FXD-3000-LM  
Sheet 8 of 8

APPROVED  
**PRODUCT REVISED**  
as complying with the Florida Building Code  
NOA-No. 15-0827.11  
Expiration Date 03/30/2021  
By: *[Signature]*  
Miami-Beach Product Control

EXTRUSIONS AND PARTS  
**HERNANDEZ NORERO**  
Professional Engineer  
No. 7378  
STATE OF FLORIDA  
398 E. DANIA BEACH BLVD.  
DANIA BEACH, FL 33004  
FBPE CERT. # 120578