



DEPARTMENT OF REGULATORY AND ECONOMIC RESOURCES (RER)  
BOARD AND CODE ADMINISTRATION DIVISION

**NOTICE OF ACCEPTANCE (NOA)**

MIAMI-DADE COUNTY  
PRODUCT CONTROL SECTION

11805 SW 26 Street, Room 208  
T (786) 315-2590 F (786) 315-2599

[www.miamidade.gov/economy](http://www.miamidade.gov/economy)

**Continental Glass Systems, LLC**  
325 West 74 Place  
Hialeah, FL 33014

**SCOPE:**

This NOA is being issued under the applicable rules and regulations governing the use of construction materials. The documentation submitted has been reviewed and accepted by Miami-Dade County RER - Product Control Section to be used in Miami Dade County and other areas where allowed by the Authority Having Jurisdiction (AHJ).

This NOA shall not be valid after the expiration date stated below. The Miami-Dade County Product Control Section (In Miami-Dade County) and/or the AHJ (in areas other than Miami-Dade County) reserve the right to have this product or material tested for quality assurance purposes. If this product or material fails to perform in the accepted manner, the manufacturer will incur the expense of such testing and the AHJ may immediately revoke, modify, or suspend the use of such product or material within their jurisdiction. RER reserves the right to revoke this acceptance, if it is determined by Miami-Dade County Product Control Section that this product or material fails to meet the requirements of the applicable building code.

This product is approved as described herein, and has been designed to comply with the Florida Building Code, including the High Velocity Hurricane Zone.-

**DESCRIPTION: Series "3200 Insulated Laminated" Aluminum Window Wall System – S.M.I.**

**APPROVAL DOCUMENT:** Drawing No. LAM-3200-S.M, titled "Series 3200 Insulated/Laminated Small Missile", sheets 1 through 7 of 7, dated 01/265/09, with revision 5 dated 09/30/16, prepared by manufacturer, signed and sealed by Hermes F. Norero, P.E., bearing the Miami-Dade County Product Control Revision stamp with the Notice of Acceptance number and expiration date by the Miami-Dade County Product Control Section.

**MISSILE IMPACT RATING: Small Missile Impact Resistant**

**LIMITATION: Refer to evidence page E-1 for air infiltration rate.**

**LABELING:** Each unit shall bear a permanent label with the manufacturer's name or logo, city, state, model/series, and following statement: "Miami-Dade County Product Control Approved", unless otherwise noted herein.

**RENEWAL** of this NOA shall be considered after a renewal application has been filed and there has been no change in the applicable building code negatively affecting the performance of this product.

**TERMINATION** of this NOA will occur after the expiration date or if there has been a revision or change in the materials, use, and/or manufacture of the product or process. Misuse of this NOA as an endorsement of any product, for sales, advertising or any other purposes shall automatically terminate this NOA. Failure to comply with any section of this NOA shall be cause for termination and removal of NOA.

**ADVERTISEMENT:** The NOA number preceded by the words Miami-Dade County, Florida, and followed by the expiration date may be displayed in advertising literature. If any portion of the NOA is displayed, then it shall be done in its entirety.

**INSPECTION:** A copy of this entire NOA shall be provided to the user by the manufacturer or its distributors and shall be available for inspection at the job site at the request of the Building Official.

This NOA revises NOA# 13-0624.03 and consists of this page 1 and evidence pages E-1 and E-2, as well as approval document mentioned above.

The submitted documentation was reviewed by **Jorge M. Plasencia, P.E.**



*P*  
10/20/2016

NOA No. 15-0827.13  
Expiration Date: May 27, 2019  
Approval Date: October 20, 2016  
Page 1

**Continental Glass Systems, LLC**

**NOTICE OF ACCEPTANCE: EVIDENCE SUBMITTED**

**A. DRAWINGS**

1. Manufacturer's die drawings and sections.  
*(Submitted under NOA No.09-0210.03)*
2. Drawing No LAM-3200-LM, sheets 1 through 7 of 7, titled "Series 3200 Insulated/Laminated Large Missile", dated 01/28/09, with revision #5 dated 09/30/16, prepared by manufacturer, signed and sealed by Hermes F. Norero, P.E.

**B. TESTS**

1. Test reports on: 1) Air Infiltration Test, per FBC, TAS 202-94  
*Rate: 0.25 cfm @ 6.24 psf*
  - 2) Uniform Static Air Pressure Test, Loading per FBC TAS 202-94
  - 3) Water Resistance Test, per FBC, TAS 202-94
  - 4) Small Missile Impact Test per FBC, TAS 201-94
  - 5) Large Missile Impact Test per FBC, TAS 201-94
  - 6) Cyclic Wind Pressure Loading per FBC, TAS 203-94
  - 7) Forced Entry Test, per FBC 2411 3.2.1, TAS 202-94along with marked-up drawings and installation diagram of series 3200 aluminum window wall system, prepared by Fenestration Testing Laboratory, Inc., Test Report No. FTL-5708, dated 11/20/08, signed and sealed by Carlos S. Rionda, P.E.  
*(Submitted under NOA No.09-0210.03)*

**C. CALCULATIONS**

1. Anchor verification calculations and structural analysis, complying with **FBC-5<sup>th</sup> Edition (2014)**, dated 05/20/15 and revised on 08/02/16, prepared by Building Drops, Inc., signed and sealed by Hermes F. Norero, P.E.
2. Glazing complies with **ASTM E1300-09**

**D. QUALITY ASSURANCE**

1. Miami-Dade Department of Regulatory and Economic Resources (RER).

**E. MATERIAL CERTIFICATIONS**

1. Notice of Acceptance No. **15-1201.11** issued to **Eastman Chemical Company (MA)** for their "**Saflex Clear and Color Glass Interlayers**" dated 03/17/16, expiring on 05/21/21.



Jorge M. Plasencia P.E.  
Product Control Unit Supervisor  
NOA No. 15-0827.13  
Expiration Date: May 27, 2019  
Approval Date: October 20, 2016

**Continental Glass Systems, LLC**


**NOTICE OF ACCEPTANCE: EVIDENCE SUBMITTED**

**F. STATEMENTS**

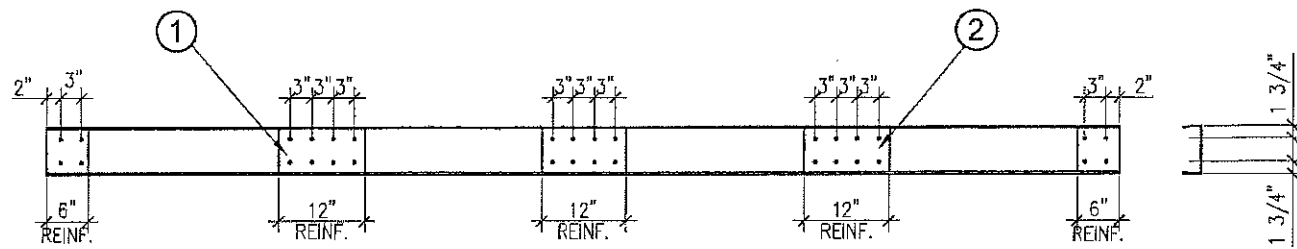
1. Statement letter of conformance, complying with **FBC-5<sup>th</sup> Edition (2014)**, and of no financial interest, dated June 22, 2015, issued by Building Drops, Inc., signed and sealed by Hermes Norero, P.E.
2. Letter from manufacturer requesting name change from Continental Glass System, Inc. to **Continental Glass System, LLC**, dated April 4, 2016, signed by Samir Moussa, COO.
3. Assignment Agreement dated April 21, 2015 between **Continental Glass System, Inc.** a Florida Corporation (Assignor) and **Continental Glass System, LLC** a Delaware Limited Liability Company (Assignee) signed by Shlomo Epstein, (Assignor) and Samir Moussa (Assignee) and Paul L. Rudy III for Graham Architectural Products Corporation (the "Purchase Agreement").
4. Notification of Successor Engineer for manufacturer's NOA document per **Section 61G15-27.001** of the **Florida Administrative Code**, notifying original engineer that the successor engineer is assuming full professional and legal responsibility for all engineering documents pertaining to this NOA, dated June 22, 2015, signed and sealed by Hermes F. Norero, P.E.

**G. OTHERS**

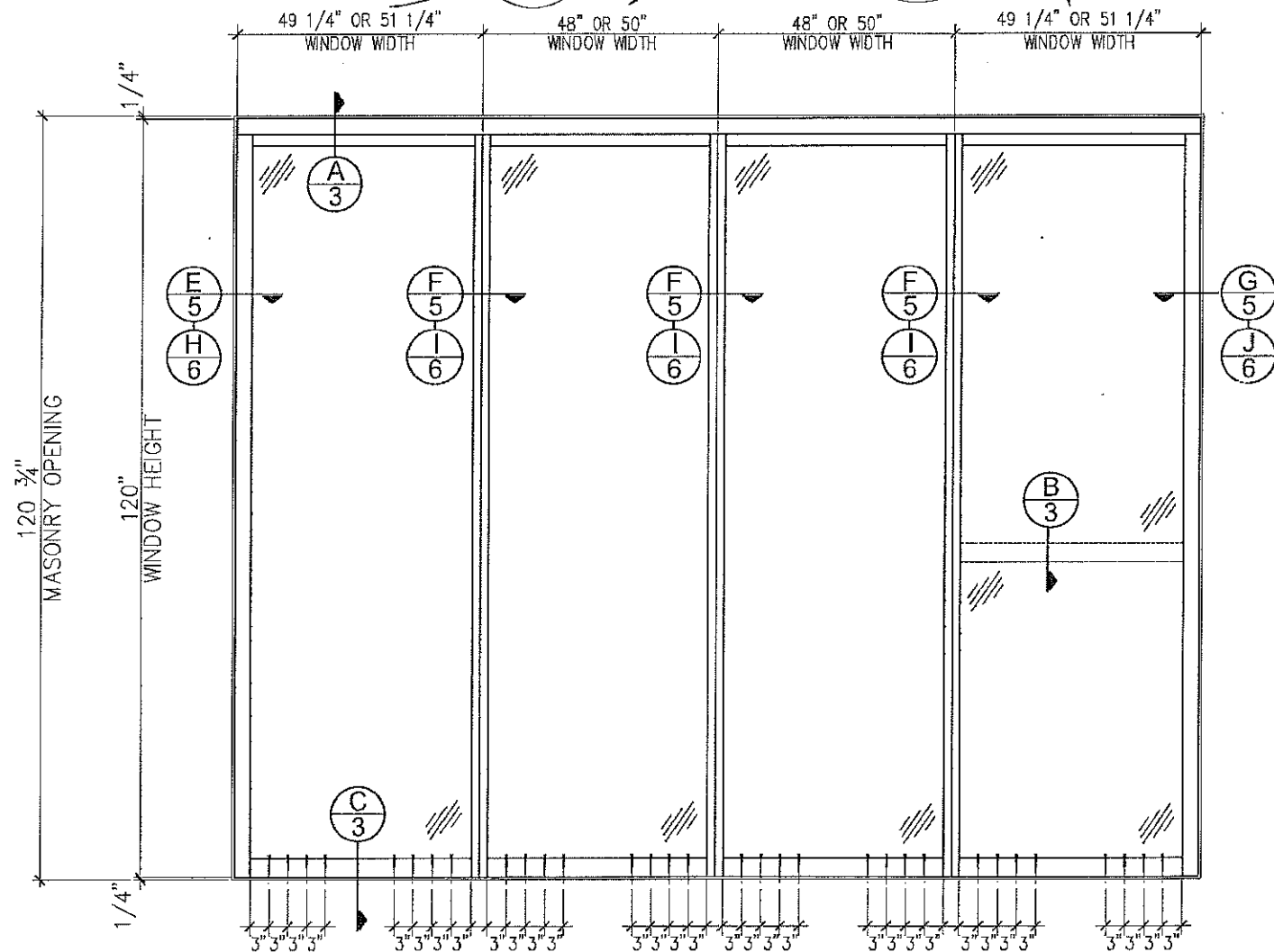
1. Notice of Acceptance No. **13-0624.03**, issued to Continental Glass Systems, Inc. for their Series "3200 Insulated Laminated" Aluminum Window Wall System – S.M.I., approved on 11/28/13 and expiring on 05/27/19.

  
\_\_\_\_\_  
**Jorge M. Plasencia P.E.**  
**Product Control Unit Supervisor**  
**NOA No. 15-0827.13**  
**Expiration Date: May 27, 2019**  
**Approval Date: October 20, 2016**

# HEAD RECEPTOR



FOR WIDTH SEE TABLE BELOW



FIXED WINDOW ELEVATION  
EXTERIOR VIEW

DESIGN LOAD - CAPACITY (P.S.F.)		MAXIMUM WINDOW WIDTH	MAXIMUM D.L.O. WIDTH	MAXIMUM D.L.O. HEIGHT	REINFORCING
POSITIVE	NEGATIVE				
70	70	50"	47 1/2"	114"	NO
110	110	48"	45 1/2"	114"	YES

## C.G.S. SERIES 3200 INSULATED LAMINATED WINDOW WALL SYSTEM SMALL MISSILE IMPACT

### NOTES:

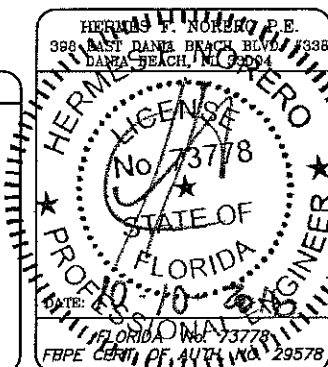
1. THIS FIXED INSULATED LAMINATED WINDOW WALL SYSTEM IS DESIGNED AND TESTED TO COMPLY WITH THE REQUIREMENTS OF THE 5TH EDITION FLORIDA BUILDING CODE (FBC) CHAPTER 16 AND 24, UNDER THE SPECIFIC CONDITION SHOWN ON THIS DRAWING. REF. FTL 5708.  $\Delta$  2
2. ALL EXTRUSIONS ARE ALUMINUM, 6005-T5 ALLOY, WITH A MINIMUM  $F_y$  OF 35,000 PSI
3. SMALL MISSILE IMPACT: INSTALLATION UP TO 30 FT ABOVE GRADE WILL REQUIRE A HURRICANE PROTECTION SYSTEM. BUT FOR INSTALLATION ABOVE 30 FT ABOVE GRADE WILL NOT REQUIRE A HURRICANE PROTECTION SYSTEM.
4. ALL INSTALLATION ANCHORS ARE 5/16"  $\emptyset$  ELCO ULTRACONS.  
MIN. 1 3/4" MIN. EMBED.  
MIN. EDGE DISTANCE 2 1/4"  
MIN. SPACING 3.0" O.C.  
MIN. 3,515 PSI CONCRETE SUBSTRATE.
5. USE HARD PLASTIC LOAD BEARING SHIM 1/4" MAXIMUM.
6. APPROVED STRUCTURAL SILICONE:  
A) 795 DOW CORNING  
B) SCS 2000 BY GE

MIAMI DADE APPROVAL

**PRODUCT REVISED**  
as complying with the Florida  
Building Code  
NOA-No. **15-0827.13**

Expiration Date **05/27/2019**

By *[Signature]*  
Miami-Dade Product Control



Revision		No	Date	By	Description
$\Delta$	1	06-14-15	S.M.		2014 FBC CC & E.O.R. CHANGE
$\Delta$	2	07-22-16	S.M.		REVISION COMMENTS
$\Delta$	3	09-30-16	S.M.		REVISION COMMENTS

Date	01-28-09
Scale	N.T.S.
Design by	G. S.
Drawing by	RICHARD
Checked by	G. S.

Drawing No.  
LAM-3200-S.M.

Sheet 1 of 8

CONTINENTAL  
GLASS SYSTEMS LLC.

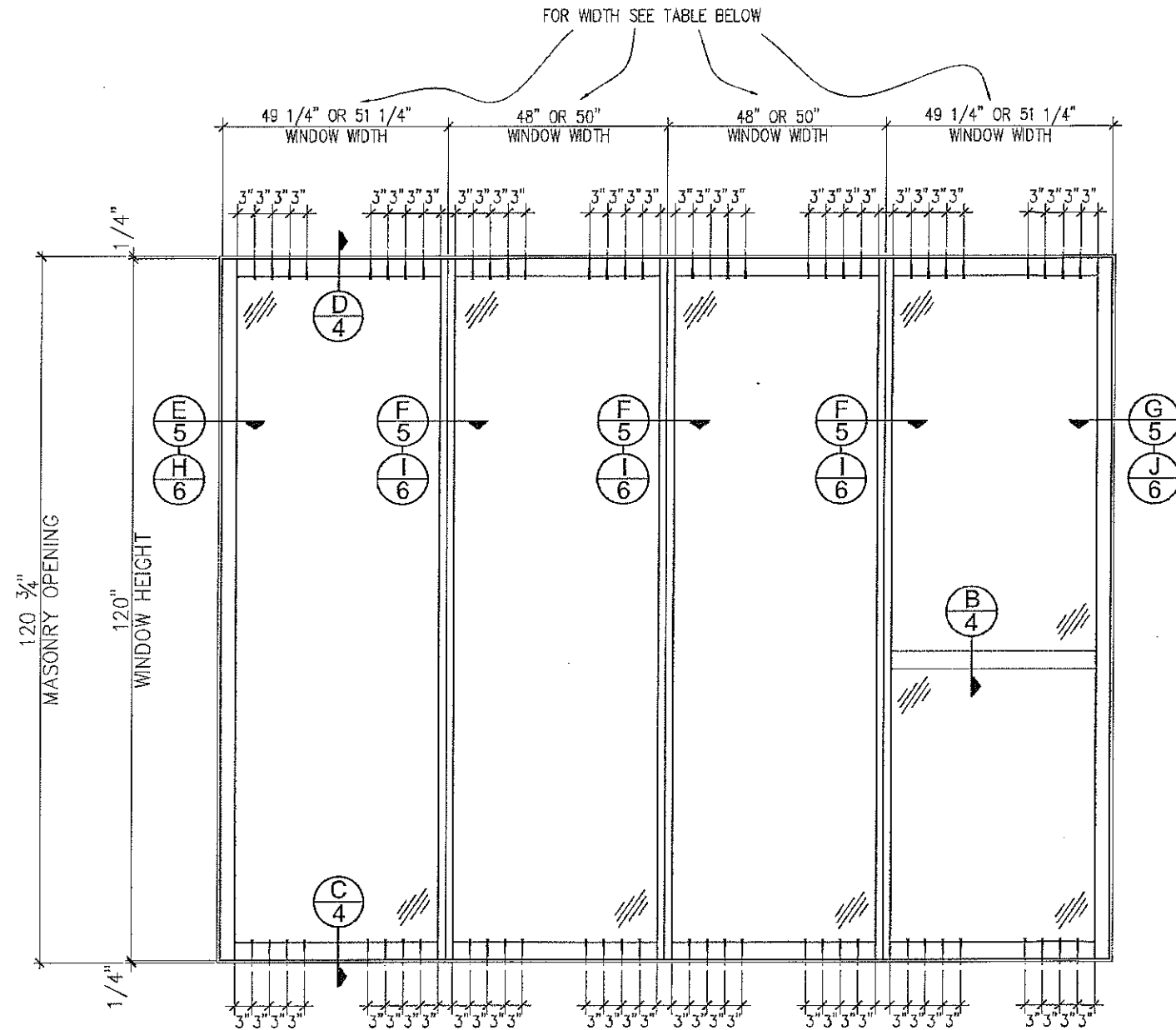
325 West 74 Place  
Hialeah Florida, 33014

Phone 305-231-1101 Fax 305-231-1103

Series 3200  
INSULATED/LAMINATED  
SMALL MISSILE

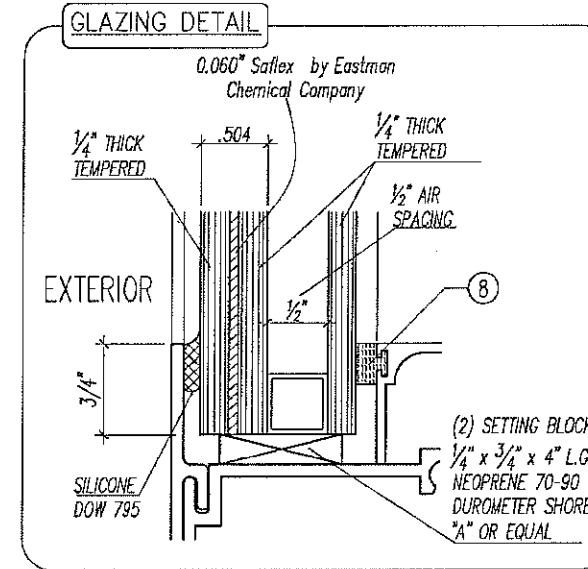
ELEVATION AND NOTES

# STANDARD HEAD



FIXED WINDOW ELEVATION  
EXTERIOR VIEW

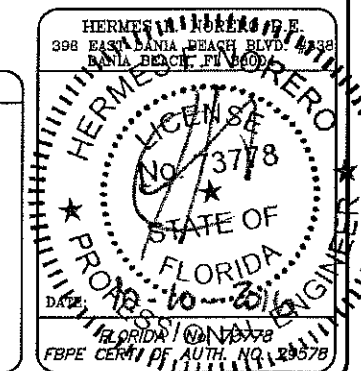
DESIGN LOAD - CAPACITY (P.S.F.)		MAXIMUM WINDOW WIDTH	MAXIMUM D.L.O. WIDTH	MAXIMUM D.L.O. HEIGHT	REINFORCING
POSITIVE	NEGATIVE				
70	70	50"	47 1/2"	114"	NO
110	110	48"	45 1/2"	114"	YES



MIAMI DADE APPROVAL

**PRODUCT REVISED**  
as complying with the Florida Building Code  
NOA-No. **15-0827.13**  
Expiration Date **05/27/2019**

By *[Signature]*  
Miami-Dade Product Control



Revision		Description	
No	Date	By	
1	05-14-15	S.M.	2014 FBC CC & E.O.R. CHANGE
2	07-22-16	S.M.	PER COMMENTS
3	09-30-16	S.M.	PER COMMENTS

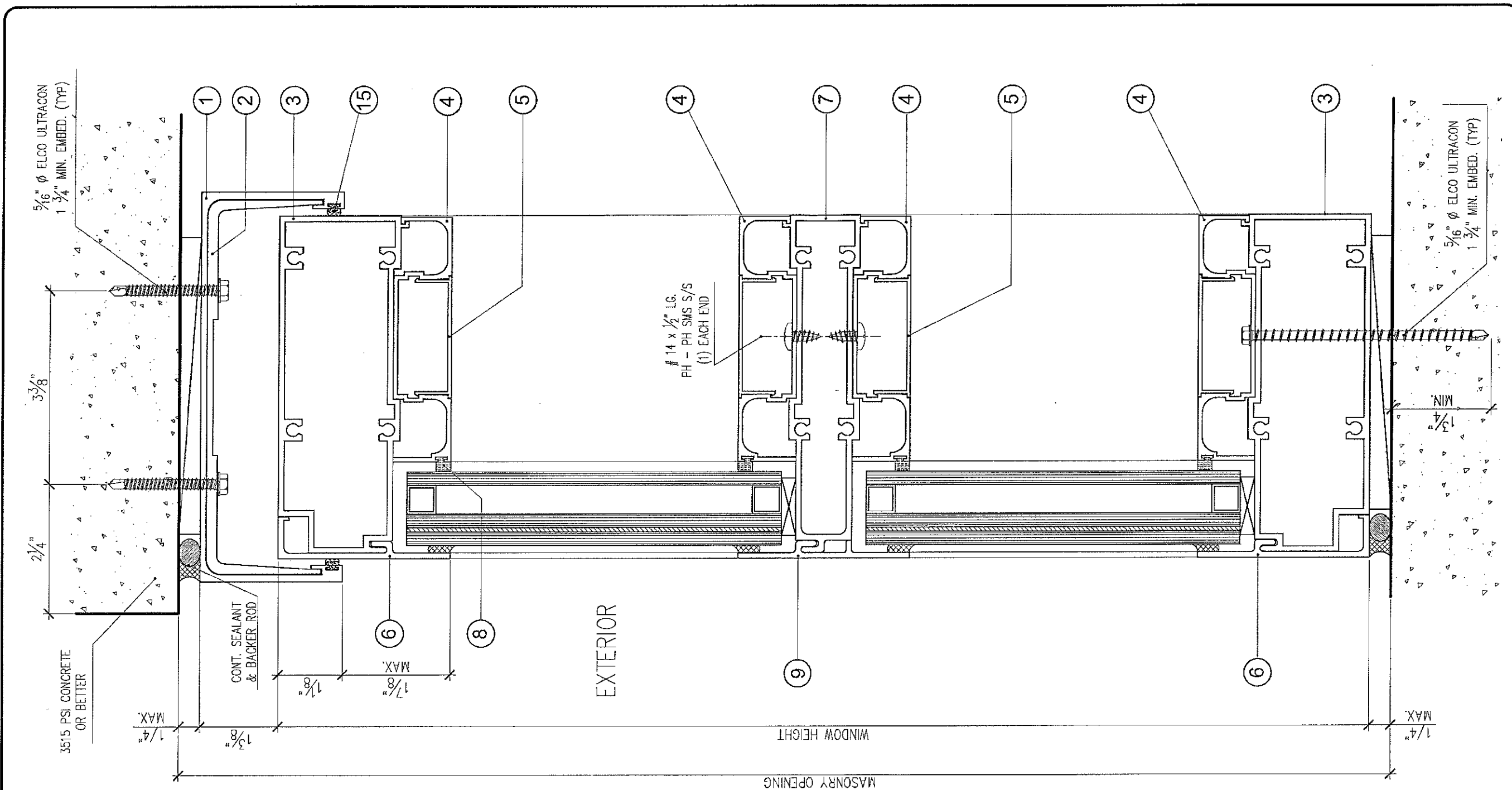
Date 01-28-09  
Scale N.T.S.  
Design by G. S.  
Drawing by RICHARD  
Checked by G. S.

Drawing No. LAM-3200-S.M.

Sheet 2 of 8

CONTINENTAL  
GLASS SYSTEMS LLC.  
325 West 74 Place  
Hialeah Florida, 33014  
Phone 305-231-1101 Fax 305-231-1103

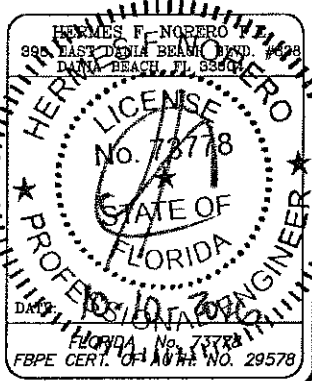
Series 3200  
INSULATED / LAMINATED  
SMALL MISSILE  
ELEVATION AND  
GLAZING DETAIL



MIAMI DADE APPROVAL

**PRODUCT REVISED**  
 as complying with the Florida  
 Building Code  
 NOA-No. **15-0827.13**  
 Expiration Date **05/27/2019**

By *[Signature]*  
 Miami-Dade Product Control



Revision		No.	Date	By	Description
1	✓	A	05-14-15	S.M.	2014 FBC CC & E.O.R. CHANGE
2	✓	A	07-22-16	S.M.	PER COMMENTS
3	✓	B	09-30-16	S.M.	PER COMMENTS

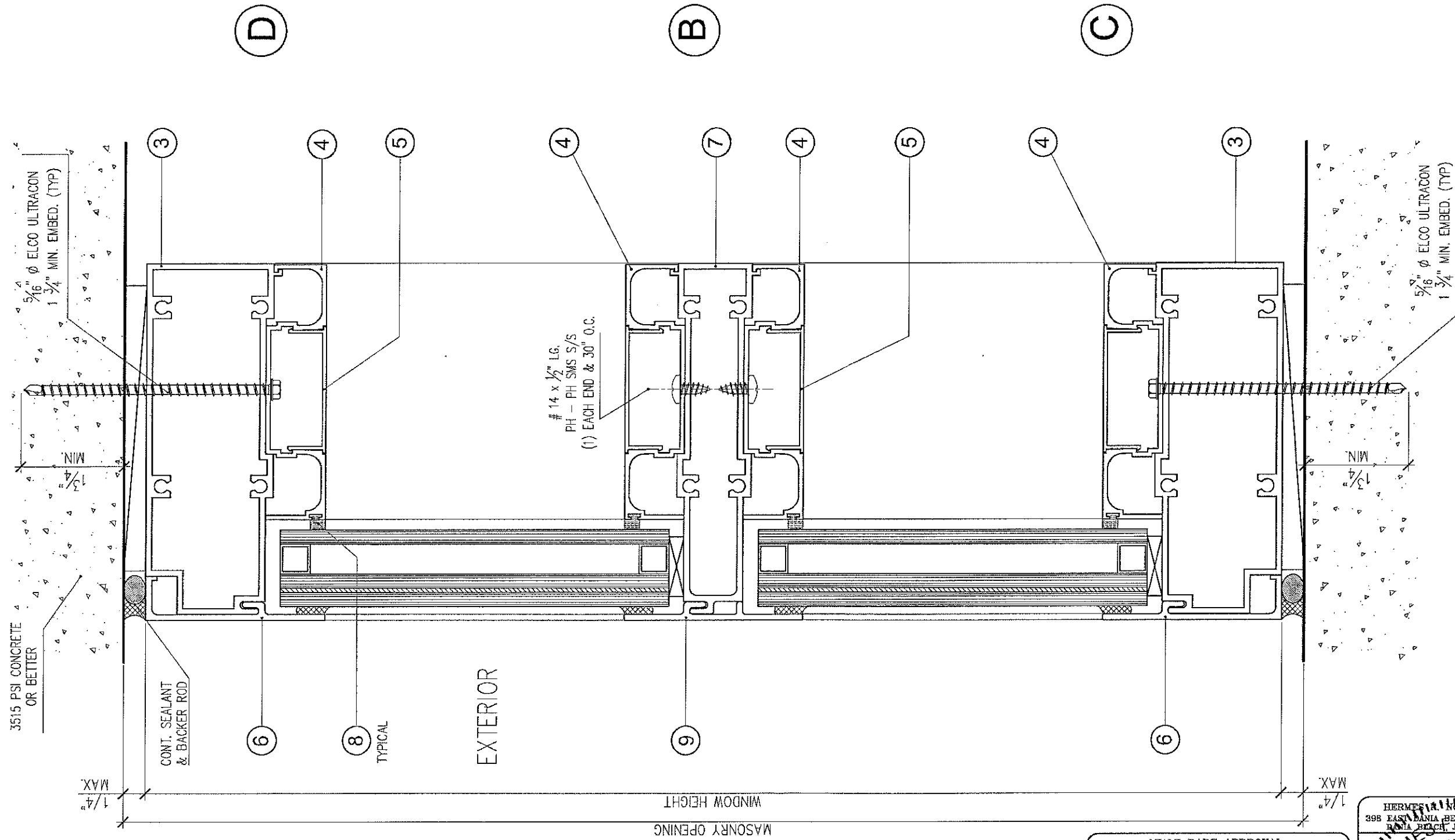
Date	01-28-08
Scale	N.T.S.
Design by	G. S.
Drawing by	RICHARD
Checked by	G. S.

Drawing No.  
 LAM-3200-S.M.

Sheet **3** of 8

Series 3200  
 INSULATED / LAMINATED  
 SMALL MISSILE  
 VERTICAL SECTION  
 RECEPTOR FRAME

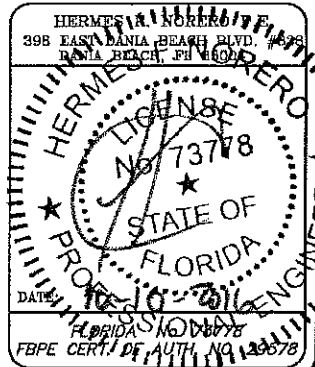
CONTINENTAL  
 GLASS SYSTEMS LLC.  
 325 West 74 Place  
 Hialeah Florida, 33014  
 Phone 305-231-1101 Fax 305-231-1103



MIAMI DADE APPROVAL

**PRODUCT REVISED**  
as complying with the Florida  
Building Code  
NOA-No. **15-0827.13**  
Expiration Date **05/27/2019**

By *[Signature]*  
Miami-Dade Product Control



No.	Date	By	Description
1	05-14-15	S.M.	2014 FBC CC & E.O.R. CHANGE
2	07-22-16	S.M.	PER COMMENTS
3	09-30-16	S.M.	PER COMMENTS

Date	01-28-09
Scale	N.T.S.
Design by	G. S.
Drawing by	RICHARD
Checked by	G. S.

Drawing No.  
LAM-3200-S.M.

Sheet 4 of 8

Series 3200  
INSULATED / LAMINATED  
SMALL MISSILE  
VERTICAL SECTION  
STANDARD FRAME

CONTINENTAL  
GLASS SYSTEMS LLC,  
325 West 74 Place  
Hialeah Florida, 33014  
Phone 305-281-1101 Fax 305-281-1103

3515 PSI CONCRETE  
OR BETTER

CONT. SEALANT  
& BACKER ROD

0.75" MIN.  
1.50" MAX.  
SEAL WIDTH

(4) #14 x 1" LG.  
PH-PH SMS S/S  
ASSEMBLY SCREWS

CONT. SILICONE  
SEALANT

WINDOW WIDTH

MASONRY OPENING

WINDOW WIDTH

0.75" MIN.  
1.50" MAX.  
SEAL WIDTH

E

F

G

10

11

12

8

10

**NOTES:**

1. BACKER ROD DIAMETER EQUALS SEALANT WIDTH x 120%
2. SEALANT WIDTH TO DEPTH RATIO SHALL BE 2:1 FOR WIDTHS UP TO 1". USE 1/2" DEPTH FOR WIDTHS GREATER THAN 1".

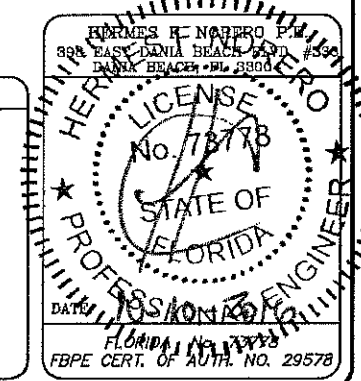
EXTERIOR

MIAMI DADE APPROVAL

**PRODUCT REVISED**  
as complying with the Florida  
Building Code  
NOA-No. **15-0827.13**

Expiration Date **05/27/2019**

By *[Signature]*  
Miami-Dade Product Control



No	Date	By	Description
1	05-14-15	S.M.	2014 FCC CC & E.O.R. CHANGE
2	07-22-16	S.M.	PER COMMENTS
3	09-30-16	S.M.	PER COMMENTS

Date	01-28-09
Scale	N.T.S.
Design by	G. S.
Drawing by	RICHARD
Checked by	G. S.

Drawing No.  
LAM-3200-S.M.

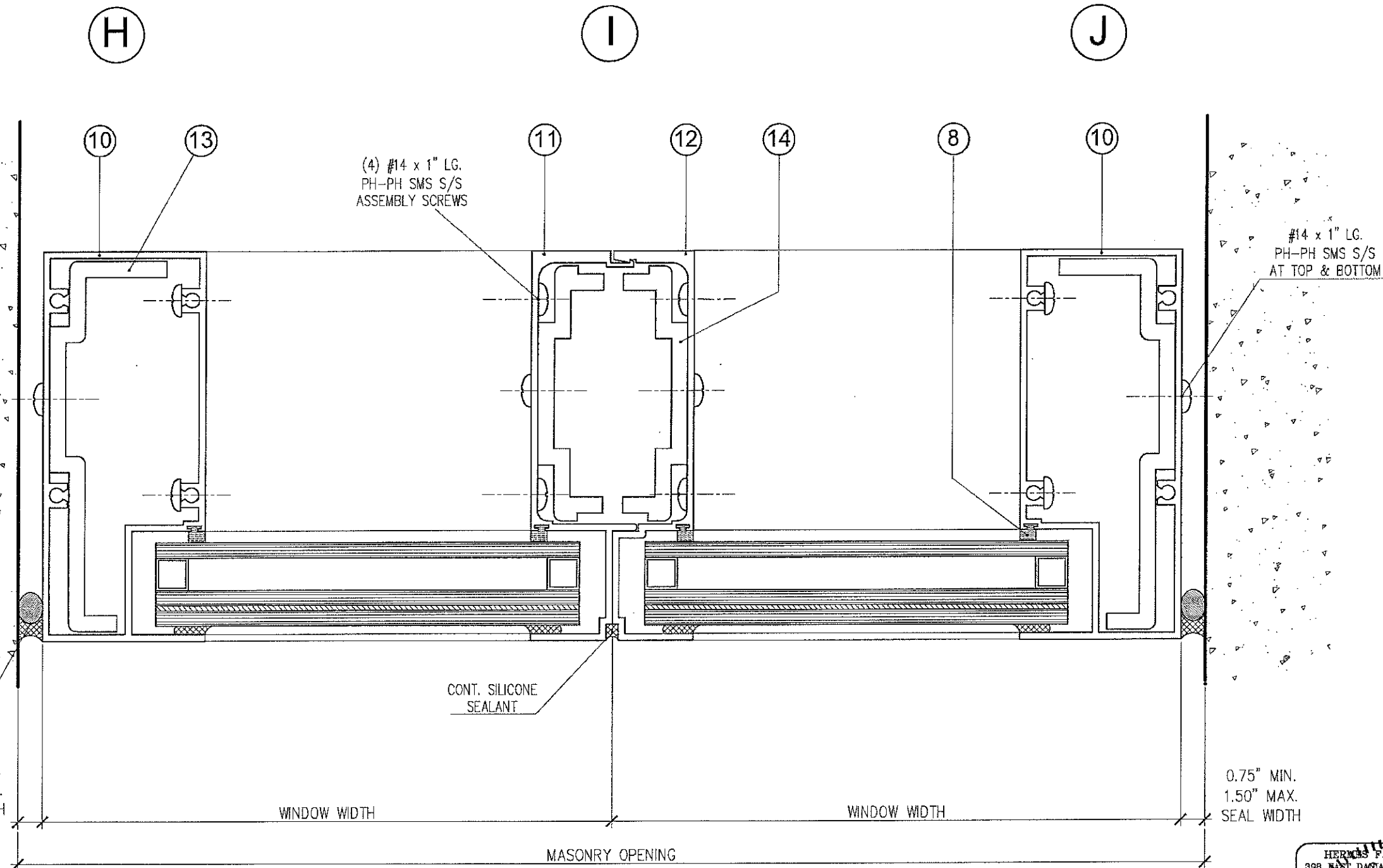
Sheet 5 of 8

Series 3200  
INSULATED/LAMINATED  
SMALL MISSILE  
HORIZONTAL SECTION

CONTINENTAL  
GLASS SYSTEMS LLC.  
325 West 74 Place  
Hialeah Florida, 33014  
Phone 305-231-1101 Fax 305-231-1103



3515 PSI CONCRETE  
OR BETTER

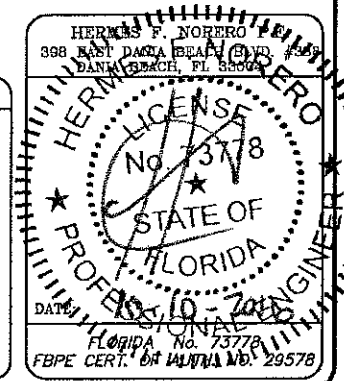


- NOTES:**
1. BACKER ROD DIAMETER EQUALS SEALANT WIDTH x 120%
  2. SEALANT WIDTH TO DEPTH RATIO SHALL BE 2:1 FOR WIDTHS UP TO 1". USE 1/2" DEPTH FOR WIDTHS GREATER THAN 1".

MIAMI DADE APPROVAL

**PRODUCT REVISED**  
as complying with the Florida Building Code  
NOA-No. **15-0827.13**  
Expiration Date **05/27/2019**

By *[Signature]*  
Miami-Dade Product Control



CONTINENTAL  
GLASS SYSTEMS LLC.  
325 West 74 Place  
Hialeah Florida, 33014  
Phone 305-231-1101 Fax 305-231-1103

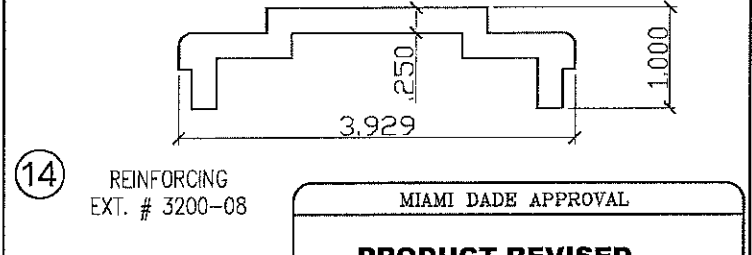
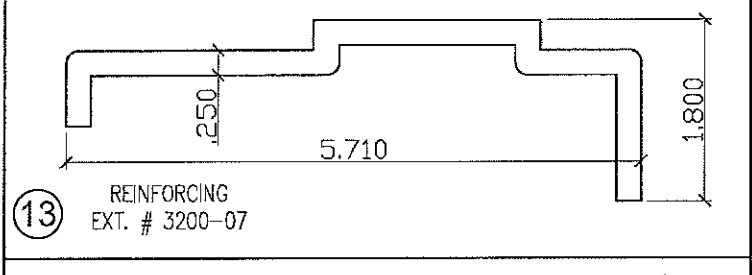
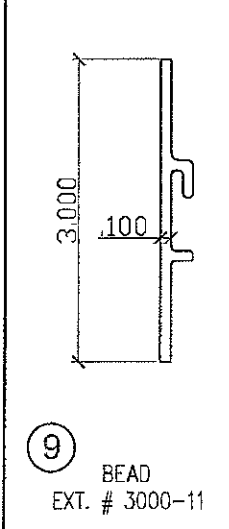
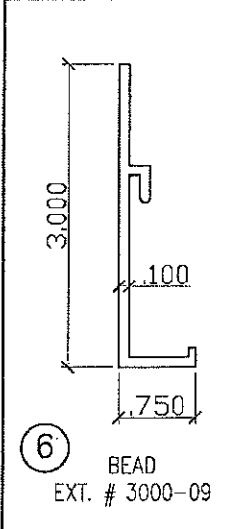
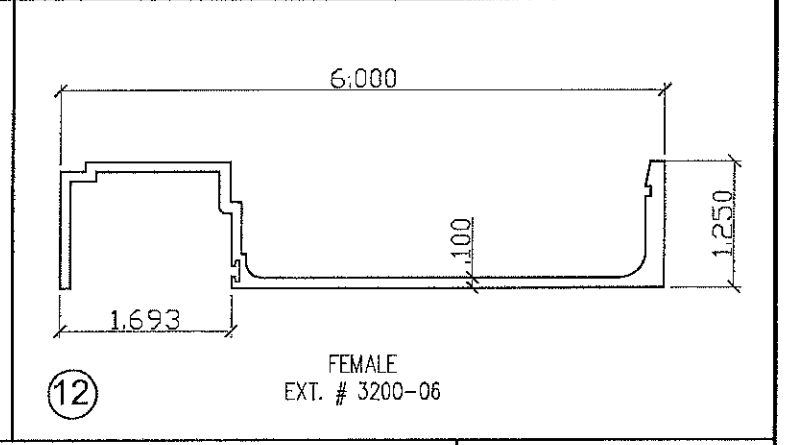
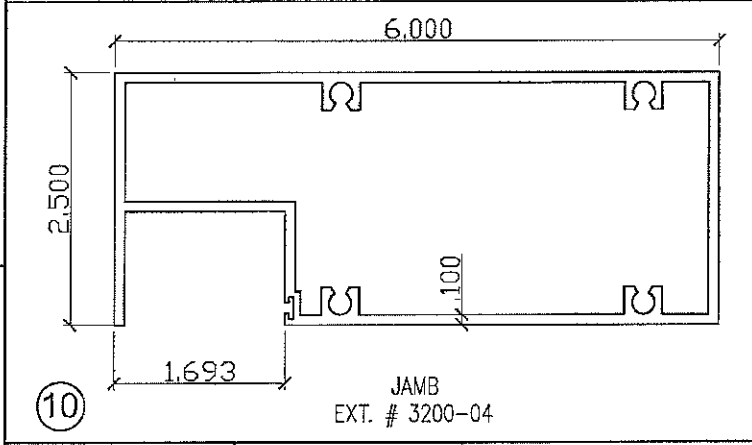
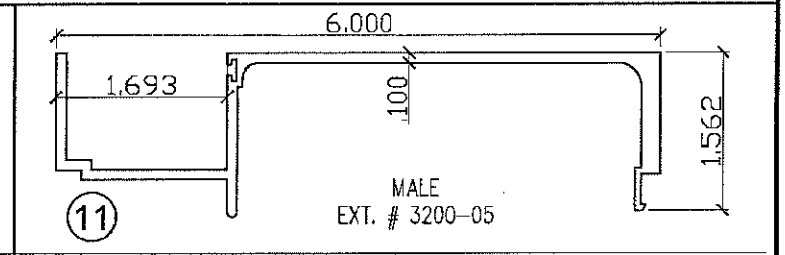
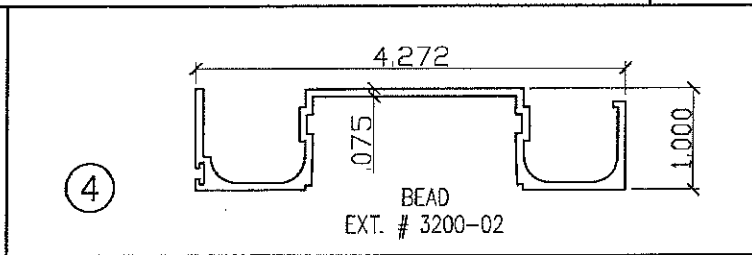
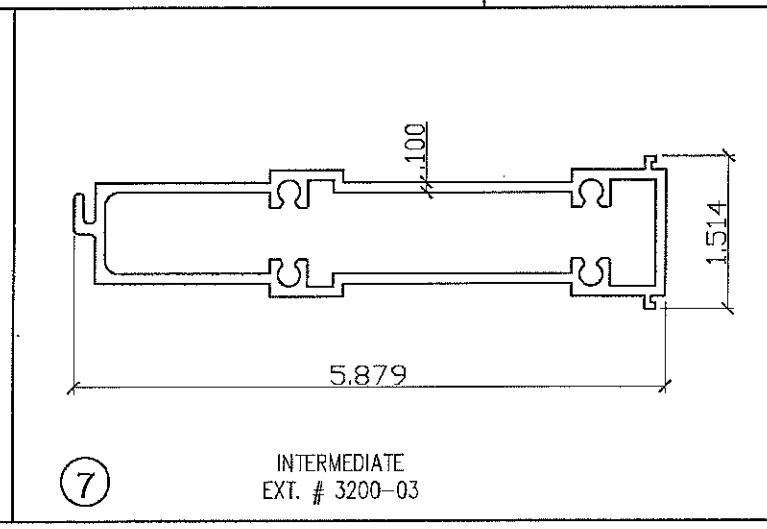
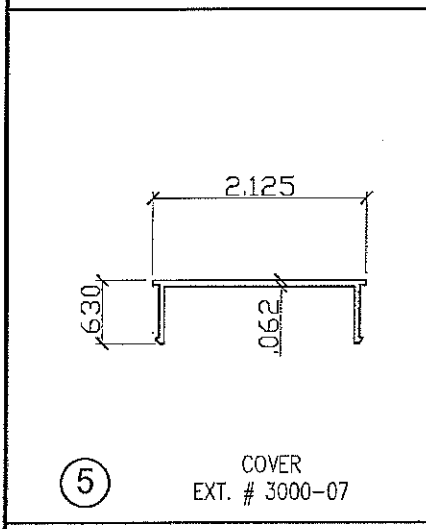
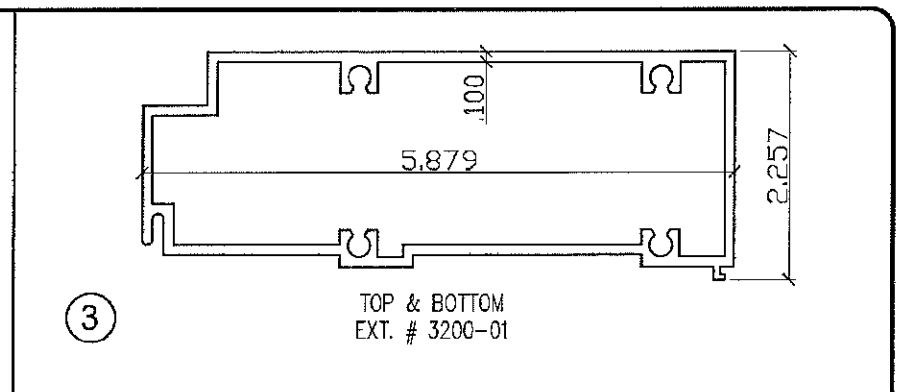
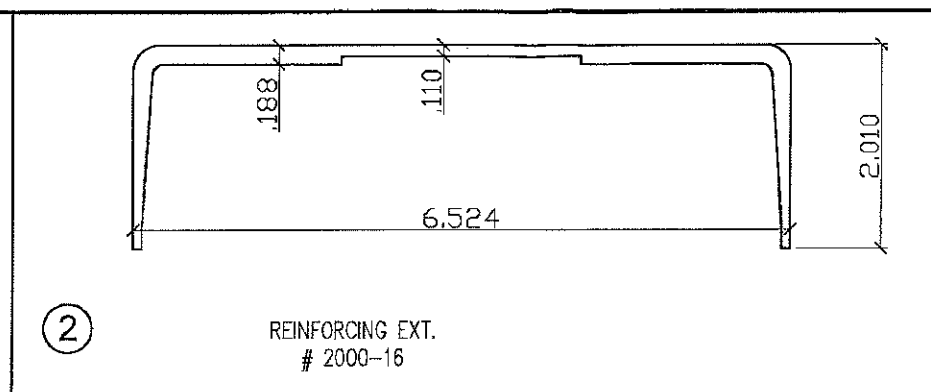
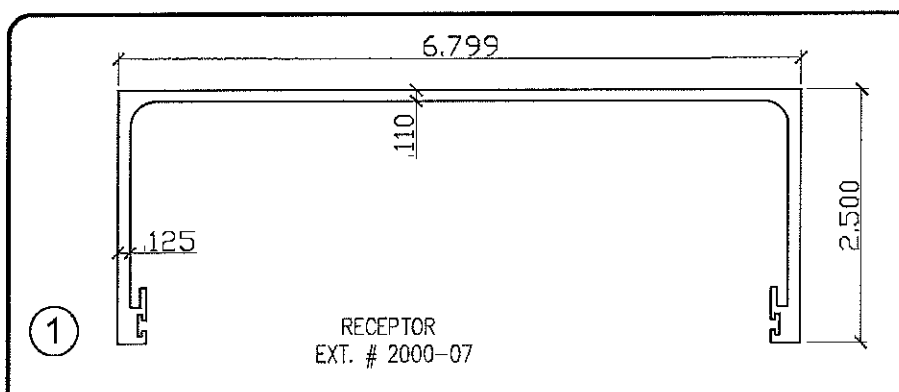
Series 3200  
INSULATED/LAMINATED  
SMALL MISSILE  
HORIZONTAL SECTION  
REINFORCED

No	Date	By	Description
1	05-14-15	S.M.	2014 FCC CC & E.O.R. CHANGE
2	07-22-16	S.M.	PER COMMENTS
3	09-30-16	S.M.	PER COMMENTS

Date: 01-28-09  
Scale: N.T.S.  
Design by: G. S.  
Drawing by: RICHARD  
Checked by: G. S.

Drawing No.  
LAM-3200-S.M.

Sheet 6 of 8



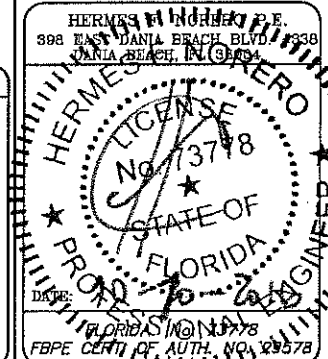
FIXED WINDOW

ITEM #	PART NUMBER	PART NAME	ALLOY & TEMPERED
1	2000 - 07	RECEPTOR	6005-T5
2	2000 - 16	REINFORCING	6005-T5
3	3200 - 01	TOP & BOTTOM	6005-T5
4	3200 - 02	BEAD	6005-T5
5	3000 - 07	COVER	6005-T5
6	3000 - 09	BEAD	6005-T5
7	3200 - 03	INTERMEDIATE	6005-T5
8	CGS - 01	GLASS SPACER	PROTOTYPE
9	3000 - 11	BEAD	6005-T5
10	3200 - 04	JAMB	6005-T5
11	3200 - 05	MALE	6005-T5
12	3200 - 06	FEMALE	6005-T5
13	3200 - 07	REINFORCING	6005-T5
14	3200 - 08	REINFORCING	6005-T5
15	FP-448-V	VINYL BULB	

MIAMI DADE APPROVAL

**PRODUCT REVISED**  
as complying with the Florida Building Code  
NOA-No. **15-0827.13**  
Expiration Date **05/27/2019**

By \_\_\_\_\_  
Miami-Dade Product Control



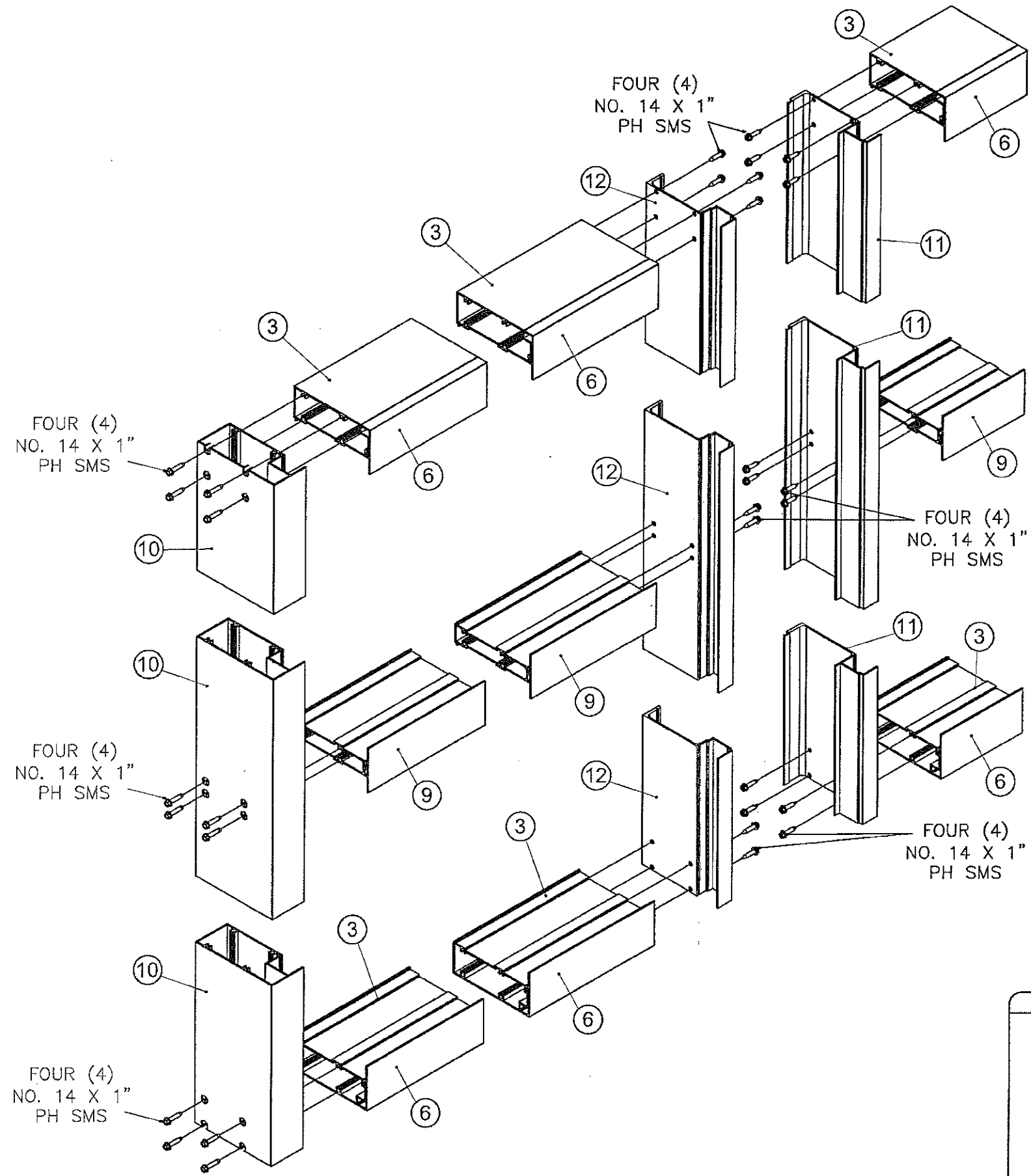
CONTINENTAL  
GLASS SYSTEMS LLC.  
325 West 74 Place  
Hialeah Florida, 33014  
Phone 305-231-1101 Fax 305-231-1103

Series 3200  
INSULATED/LAMINATED  
SMALL MISSILE  
COMPONENTS & BOM

Revision		Description	
No	Date	By	PER COMMENTS
1	05-14-15	S.M.	E.O.R. CHANGE
2	07-22-16	S.M.	PER COMMENTS
3	09-30-16	S.M.	PER COMMENTS

Date: 01-26-09  
Scale: N.T.S.  
Design by: G. S.  
Drawing by: RICHARD  
Checked by: G. S.

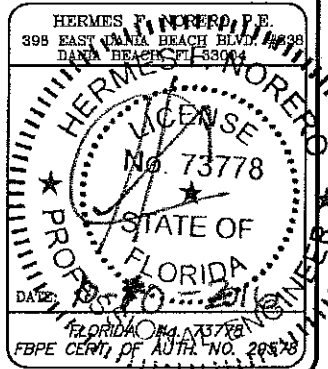
Drawing No.  
LAM-3200-S.M.



MIAMI DADE APPROVAL

**PRODUCT REVISED**  
as complying with the Florida  
Building Code  
NOA-No. **15-0827.13**  
Expiration Date **05/27/2019**

By *[Signature]*  
Miami-Dade Product Control



Revision		No	Date	By	Description
Δ	1	05-14-15	S.M.		2014 FCC CC & E.O.R. CHANGE
Δ	2	07-22-16	S.M.		PER COMMENTS
Δ	3	09-30-16	S.M.		PER COMMENTS

Date: 01-28-09  
Scale: N.T.S.  
Design by: G. S.  
Drawing by: RICHARD  
Checked by: G. S.

Drawing No.  
LAM-3200-S.M.

Sheet 8 of 8

CONTINENTAL  
GLASS SYSTEMS LLC.  
325 West 74 Place  
Hialeah Florida, 33014  
Phone 305-231-1101 Fax 305-231-1103

Series 3200  
INSULATED / LAMINATED  
SMALL MISSILE  
CONSTRUCTION DETAILS