



DEPARTMENT OF REGULATORY AND ECONOMIC RESOURCES (RER)
BOARD AND CODE ADMINISTRATION DIVISION

MIAMI-DADE COUNTY
PRODUCT CONTROL SECTION

11805 SW 26 Street, Room 208
T (786) 315-2590 F (786) 315-2599

NOTICE OF ACCEPTANCE (NOA)

www.miamidade.gov/economy

Continental Glass Systems, LLC

325 West 74 Place

Hialeah, FL 33014

SCOPE:

This NOA is being issued under the applicable rules and regulations governing the use of construction materials. The documentation submitted has been reviewed and accepted by Miami-Dade County RER - Product Control Section to be used in Miami Dade County and other areas where allowed by the Authority Having Jurisdiction (AHJ).

This NOA shall not be valid after the expiration date stated below. The Miami-Dade County Product Control Section (In Miami Dade County) and/or the AHJ (in areas other than Miami Dade County) reserve the right to have this product or material tested for quality assurance purposes. If this product or material fails to perform in the accepted manner, the manufacturer will incur the expense of such testing and the AHJ may immediately revoke, modify, or suspend the use of such product or material within their jurisdiction. RER reserves the right to revoke this acceptance, if it is determined by Miami-Dade County Product Control Section that this product or material fails to meet the requirements of the applicable building code.

This product is approved as described herein, and has been designed to comply with the Florida Building Code, including the High Velocity Hurricane Zone.

DESCRIPTION: Series "7200" Outswing Aluminum Bi-Folding Window – L.M.I.

APPROVAL DOCUMENT: Drawing No. AD13-02, titled "Series 7200 Aluminum Outswing Bi-Folding Window (LMI)", sheets 1 through 8 of 8, dated 06/02/14, with revision C dated 08/01/16, prepared by Building Drops, Inc., signed and sealed by Hermes F. Norero, P.E., bearing the Miami-Dade County Product Control Revision stamp with the Notice of Acceptance number and expiration date by the Miami-Dade County Product Control Section.

MISSILE IMPACT RATING: Large and Small Missile Impact Resistant

LABELING: Each unit shall bear a permanent label with the manufacturer's name or logo, city, state, model/series, and following statement: "Miami-Dade County Product Control Approved", unless otherwise noted herein.

RENEWAL of this NOA shall be considered after a renewal application has been filed and there has been no change in the applicable building code negatively affecting the performance of this product.

TERMINATION of this NOA will occur after the expiration date or if there has been a revision or change in the materials, use, and/or manufacture of the product or process. Misuse of this NOA as an endorsement of any product, for sales, advertising or any other purposes shall automatically terminate this NOA. Failure to comply with any section of this NOA shall be cause for termination and removal of NOA.

ADVERTISEMENT: The NOA number preceded by the words Miami-Dade County, Florida, and followed by the expiration date may be displayed in advertising literature. If any portion of the NOA is displayed, then it shall be done in its entirety.

INSPECTION: A copy of this entire NOA shall be provided to the user by the manufacturer or its distributors and shall be available for inspection at the job site at the request of the Building Official.

This NOA revises NOA# 14-0225.03 and consists of this page 1 and evidence pages E-1 and E-2, as well as approval document mentioned above.

The submitted documentation was reviewed by **Jorge M. Plasencia, P.E.**



Jorge M. Plasencia
09/07/2016

NOA No. 15-0827.24

Expiration Date: September 04, 2019

Approval Date: September 15, 2016

Page 1

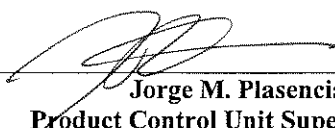
NOTICE OF ACCEPTANCE: EVIDENCE SUBMITTED

A. DRAWINGS

1. Manufacturer's die drawings and sections.
(Submitted under previous NOA No. 14-0225.03)
2. Drawing No **AD13-02**, titled "Series 7200 Aluminum Outswing Bi-Folding Window (LMI)", sheets 1 through 8 of 8, dated 06/02/14, with revision C dated 08/01/16, prepared by Building Drops, Inc., signed and sealed by Hermes F. Norero, P.E.

B. TESTS

1. Test reports on: 1) Air Infiltration Test, per FBC, TAS 202-94
2) Uniform Static Air Pressure Test, Loading per FBC, TAS 202-94
3) Water Resistance Test, per FBC, TAS 202-94
4) Forced Entry Test, per FBC 2411.3.2.1 (b) and TAS 202-94
along with marked-up drawings and installation diagram of a series 7200 outswing aluminum casement window, prepared Hurricane Engineering & Testing Inc., Test Report No. **HETI-13-4068**, dated 09/12/13, revised on 10/29/13, signed and sealed by Rafael E. Droz-Seda, P.E. *(Submitted under previous NOA No. 14-0225.03)*
2. Test reports on: 1) Large Missile Impact Test per FBC, TAS 201-94
2) Small Missile Impact Test per FBC, TAS 201-94
3) Cyclic Wind Pressure Loading per FBC, TAS 203-94
along with marked-up drawings and installation diagram of a series 7200 outswing aluminum casement window, prepared Hurricane Engineering & Testing Inc., Test Report No. **HETI-113-4069**, dated 09/24/13, revised on 10/29/13, signed and sealed by Rafael E. Droz-Seda, P.E. *(Submitted under previous NOA No. 14-0225.03)*
3. Test reports on: 1) Air Infiltration Test, per FBC, TAS 202-94
2) Uniform Static Air Pressure Test, Loading per FBC, TAS 202-94
3) Water Resistance Test, per FBC, TAS 202-94
4) Forced Entry Test, per FBC 2411.3.2.1 (b) and TAS 202-94
along with marked-up drawings and installation diagram of a series 7200 outswing aluminum casement window, prepared Hurricane Engineering & Testing Inc., Test Report No. **HETI-13-4071**, dated 10/24/13, signed and sealed by Rafael E. Droz-Seda, P.E. *(Submitted under previous NOA No. 14-0225.03)*
4. Test reports on: 1) Large Missile Impact Test per FBC, TAS 201-94
2) Small Missile Impact Test per FBC, TAS 201-94
3) Cyclic Wind Pressure Loading per FBC, TAS 203-94
along with marked-up drawings and installation diagram of a series 7200 outswing aluminum casement window, prepared Hurricane Engineering & Testing Inc., Test Report No. **HETI-13-4072**, dated 10/24/13, signed and sealed by Rafael E. Droz-Seda, P.E. *(Submitted under previous NOA No. 14-0225.03)*



Jorge M. Plasencia, P.E.
Product Control Unit Supervisor
NOA No. 15-0827.24
Expiration Date: September 04, 2019
Approval Date: September 15, 2016

Continental Glass Systems, LLC

NOTICE OF ACCEPTANCE: EVIDENCE SUBMITTED

C. CALCULATIONS

1. Anchor verification calculations and structural analysis, complying with **FBC-5th Edition (2014)**, dated 07/22/15 and revised on 08/01/16, prepared by Building Drops, Inc., signed, sealed by Hermes F. Norero, P.E.
2. Glazing complies with **ASTM E1300-09**

D. QUALITY ASSURANCE

1. Miami-Dade Department of Regulatory and Economic Resources (RER)

E. MATERIAL CERTIFICATIONS


1. Notice of Acceptance No. **14-0916.11** issued to **Kuraray America, Inc.** for their "**SentryGlas® (Clear and White) Interlayer**" dated 06/25/15, expiring on 07/04/18.

F. STATEMENTS

1. Statement letter of conformance, complying with **FBC-5th Edition (2014)**, and of no financial interest, dated July 24, 2015, issued by Building Drops, Inc., signed and sealed by Hermes Norero, P.E.
2. Letter from manufacturer requesting name change from Continental Glass System, Inc. to **Continental Glass System, LLC**, dated April 4, 2016, signed by Samir Moussa, COO.
3. Assignment Agreement dated April 21, 2015 between **Continental Glass System, Inc.** a Florida Corporation (Assignor) and **Continental Glass System, LLC** a Delaware Limited Liability Company (Assignee) signed by Shlomo Epstein, (Assignor) and Samir Moussa (Assignee) and Paul L. Rudy III for Graham Architectural Products Corporation (the "Purchase Agreement").
4. Notification of Successor Engineer for manufacturer's NOA document per **Section 61G15-27.001** of the **Florida Administrative Code**, notifying original engineer that the successor engineer is assuming full professional and legal responsibility for all engineering documents pertaining to this NOA, dated July 24, 2015, signed and sealed by Hermes F. Norero, P.E.

G. OTHERS

1. Notice of Acceptance No. **14-0225.03**, issued to Continental Glass Systems, Inc. for their Series "7200" Outswing Aluminum Bi-Fold Window – L.M.I., approved on 09/04/14 and expiring on 09/04/19.



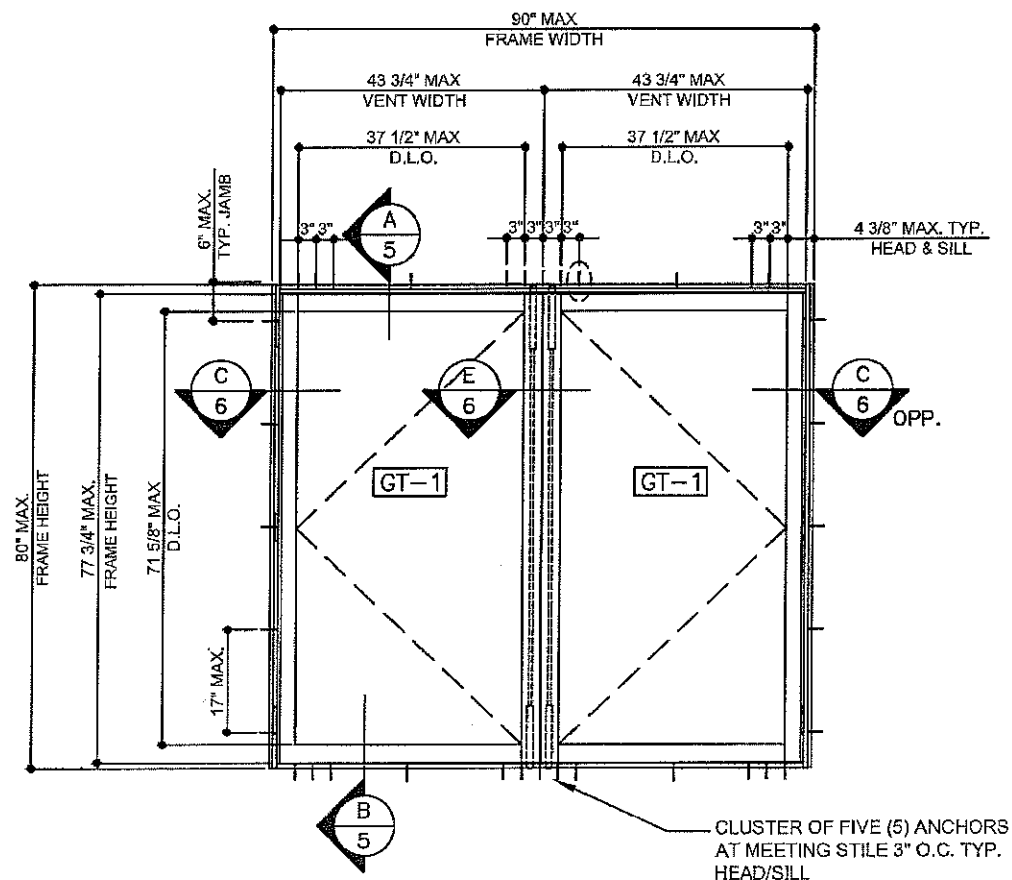
Jorge M. Plasencia, P.E.
Product Control Unit Supervisor
NOA No. 15-0827.24
Expiration Date: September 04, 2019
Approval Date: September 15, 2016



CONTINENTAL GLASS SYSTEMS LLC.
325 W. 74TH PLACE
HIALEAH, FL 33014
PH: (305) 231-1101 FX: (305) 231-1103

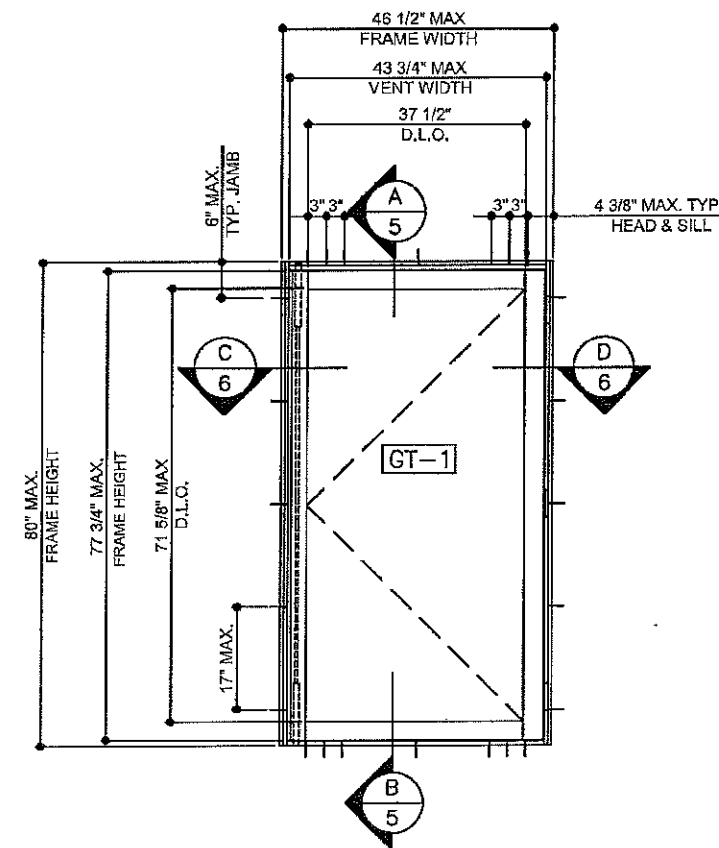
TITLE: SERIES 7200 ALUMINUM
OUTSWING BI-FOLDING
WINDOW (LMI)

PREPARED BY:
BUILDING DROPS, INC.
398 E. DANIA BEACH BLVD. #338
DANIA BEACH, FL 33004
PH: 954.399.8476 FX: 954.744.4738



TYPICAL EXTERIOR ELEVATION (XX)

DESIGN PRESSURE
SEE CHART
ON SHEET 3



TYPICAL EXTERIOR ELEVATION (X)

DESIGN PRESSURE
SEE CHART
ON SHEET 3

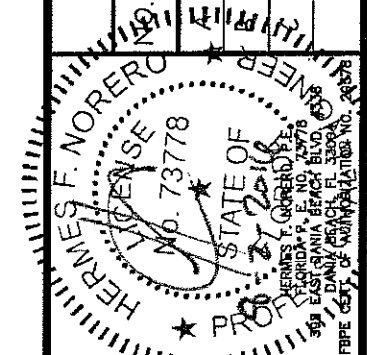
GENERAL NOTES:

- THIS PRODUCT HAS BEEN DESIGNED AND TESTED TO COMPLY WITH THE REQUIREMENTS OF THE 5TH EDITION (2014) FLORIDA BUILDING CODE INCLUDING HIGH VELOCITY HURRICANE ZONE (HVHZ).
- WINDOWS RATED FOR LARGE MISSILE IMPACT AND SMALL MISSILE IMPACT. IMPACT SHUTTERS ARE NOT REQUIRED.
- THESE WINDOWS ARE APPROVED FOR AIR AND WATER INFILTRATION.
- ANCHORS SHALL BE AS LISTED, SPACED AS SHOWN ON DETAILS. ANCHORS EMBEDMENT TO BASE MATERIAL SHALL BE BEYOND WALL DRESSING OR STUCCO.
- ANCHORING OR LOADING CONDITIONS NOT SHOWN IN THESE DETAILS ARE NOT PART OF THIS APPROVAL.
- WOOD BUCKS BY OTHERS MUST BE SOUTHERN PINE, S.G. = 0.55 AND MUST BE ANCHORED PROPERLY TO TRANSFER LOADS TO THE STRUCTURE.

- A LOAD DURATION FACTOR IN ALLOWABLE STRESS IS USED IN DESIGN OF ANCHORS INTO WOOD ONLY.
- PROVIDE 1/4" MAX. LOAD BEARING SHIM SPACE (TYP.).
- MATERIALS INCLUDING BUT NOT LIMITED TO STEEL/METAL SCREWS THAT COME INTO CONTACT WITH OTHER DISSIMILAR MATERIALS SHALL MEET THE REQUIREMENTS OF THE FLORIDA BUILDING CODE.
- METAL STRUCTURES NOT BY CONTINENTAL GLASS SYSTEMS, LLC MUST SUPPORT LOADS IMPOSED BY WINDOW SYSTEM AND TRANSFER THEM TO THE BUILDING STRUCTURE.
- DESIGN LOAD OBTAINED FROM ASCE 7-10, MULTIPLIED BY 0.6, SHALL BE LESS THAN OR EQUAL TO MAX. DESIGN LOAD IN THIS DOCUMENT.

REVISIONS

NO.	DESCRIPTION	BY	DATE
1	REVISIONS	TG	8.20.14
2	REVISIONS	SM	07.17.15
3	REVISIONS	SM	08.01.16



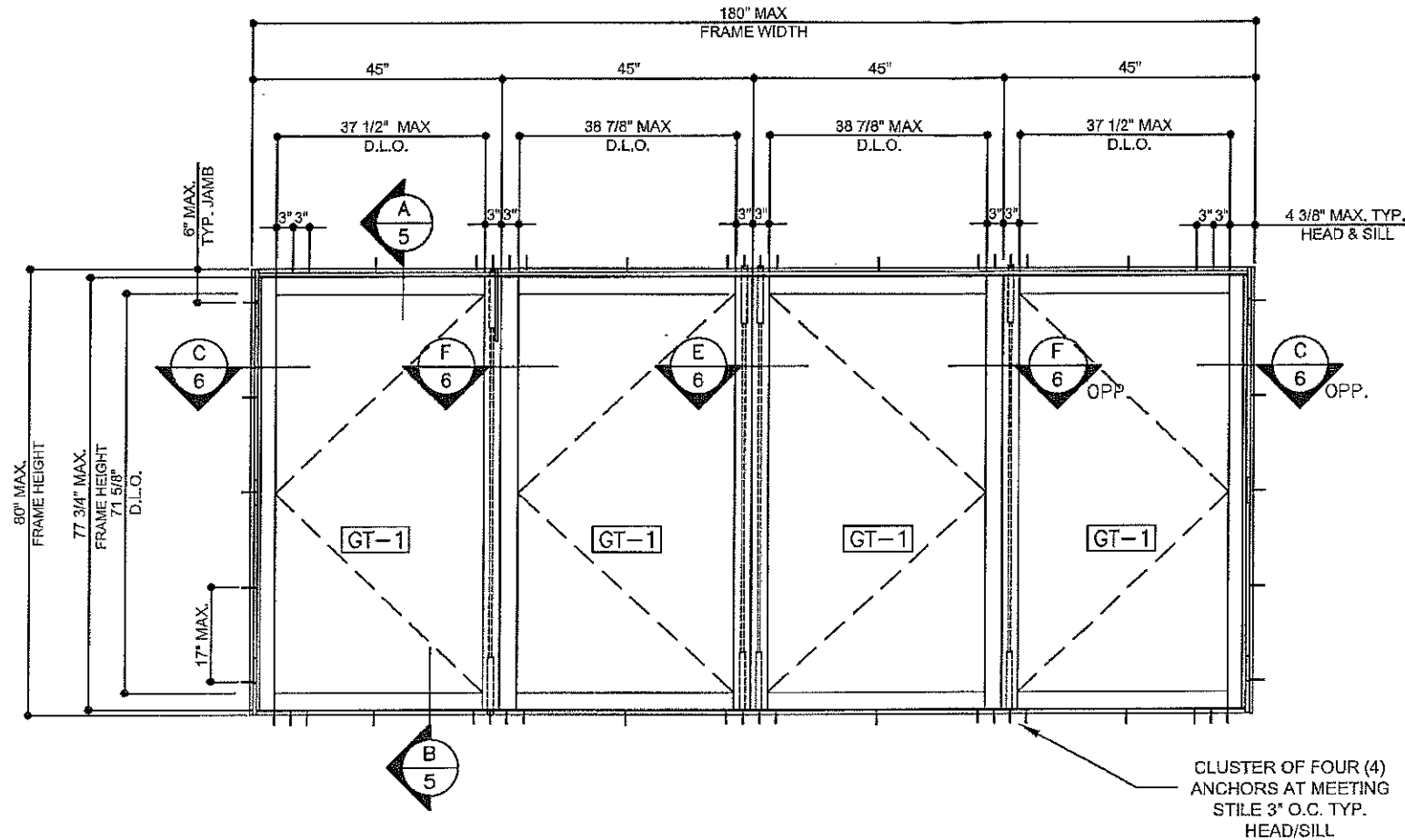
PRODUCT REVISED
as complying with the Florida
Building Code
NOA-No. **15-0827.24**
Expiration Date **09/04/2019**

DATE: 06.02.14	DWN BY: TG	CHK BY: HFN	SCALE: NTS
DWG #: AD13-02			
SHEET: 1 OF 8			

By *[Signature]*
Miami-Dade Product Control



CONTINENTAL GLASS SYSTEMS LLC.
325 W. 74TH PLACE
HIALEAH, FL 33014
PH: (305) 231-1101 FX: (305) 231-1103



TYPICAL EXTERIOR ELEVATION (XXXX)

DESIGN PRESSURE
SEE CHART
ON SHEET 4

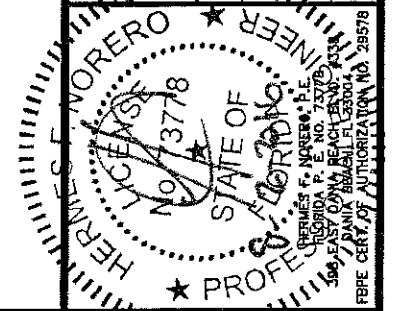
CLUSTER OF FOUR (4)
ANCHORS AT MEETING
STILE 3" O.C. TYP.
HEAD/SILL

TITLE: SERIES 7200 ALUMINUM
OUTSWING BI-FOLDING
WINDOW (LMI)

PREPARED BY:
BUILDING DROPS, INC.
398 E. DANIA BEACH BLVD. #338
DANIA BEACH, FL 33004
PH: 954.399.8478 FX: 954.744.4736

REVISIONS

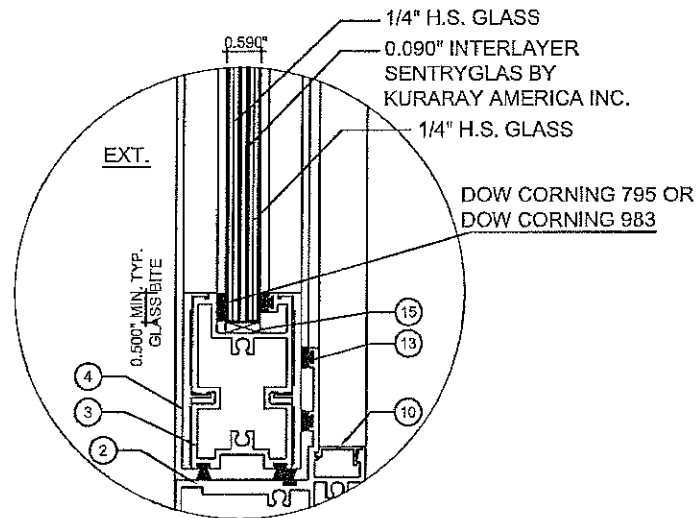
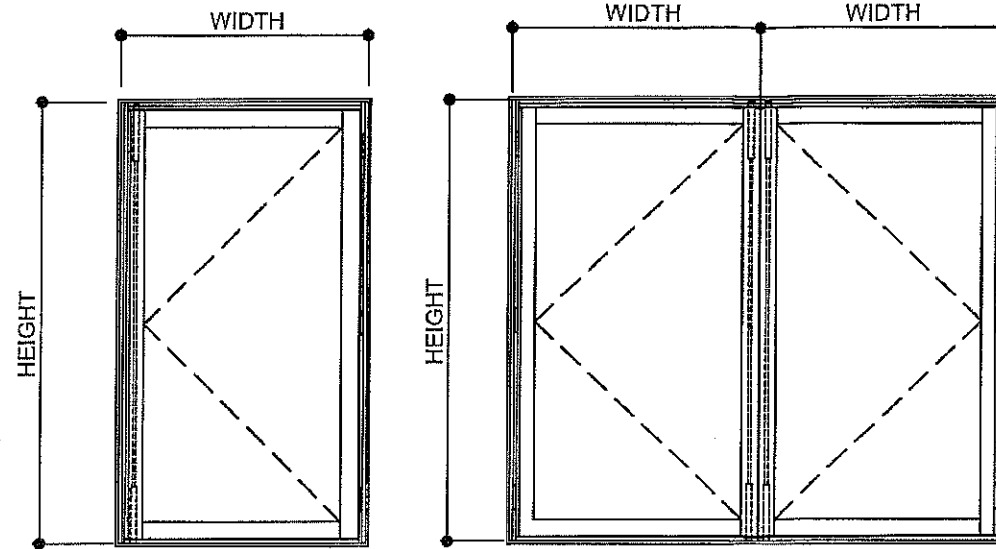
NO.	DESCRIPTION	BY	DATE
1	RER'S COMMENTS	TG	8.20.14
2	FBC CODE & EOR CHANGE	SM	07.17.15
3	MD RER COMMENTS	SM	08.01.16



PRODUCT REVISED
as complying with the Florida
Building Code
NOA-No. 15-0827.24
Expiration Date 09/04/2019
By Miami-Dade Product Control

DATE: 06.02.14
DWN BY: TG
CHK BY: HFN
SCALE: NTS
DWG #: AD13-02
SHEET: 2 OF 8

MAX. DESIGN LOAD FOR ONE OR TWO PANEL BI-FOLDING WINDOW			
WINDOW PANEL		MAX DESIGN LOAD	
WIDTH	HEIGHT	POSITIVE	NEGATIVE
IN	IN	PSF	PSF
30	60	110.0	120.0
33		110.0	120.0
36		110.0	120.0
39		110.0	120.0
42		110.0	120.0
45		110.0	120.0
48		103.1	112.5
51		97.1	105.9
54		91.7	100.0
30	66	110.0	120.0
33		110.0	120.0
36		110.0	120.0
39		110.0	120.0
42		110.0	120.0
45		110.0	120.0
48		103.1	112.5
51		97.1	105.9
30	72	110.0	120.0
33		110.0	120.0
36		110.0	120.0
39		110.0	120.0
42		110.0	120.0
45		110.0	120.0
48		103.1	112.5
30	78	110.0	120.0
33		110.0	120.0
36		110.0	120.0
39		110.0	120.0
42		110.0	120.0
45		110.0	120.0
48		103.1	112.5
30	80	110.0	120.0
33		110.0	120.0
36		110.0	120.0
39		110.0	120.0
42		110.0	120.0
45		110.0	120.0
48		103.1	112.5



0.590" TOTAL GLASS THICKNESS
INTERLAYER GLAZING DETAIL

NOTE:
GLASS CAPACITY COMPLY WITH
ASTM E1300 (3 SEC. GUSTS)

SEALANT: DOW CORNING 790

PERIMETER OF FRAME ON THE INTERIOR, FRAME CORNERS, GLAZING BEAD SEAMS AT EACH END, FIXED MEETING RAIL AT EACH END, INSTALLATION FASTENERS AT FRAME SILL & EACH END OF FRAME SILL TRACK.

HARDWARE:

LOCKS:

A TWO POINT LOCK WITH HANDLE (BE-01-6501) BY INTERLOCK, LOCATED AT BOTH ACTIVE AND INACTIVE SASH AT 36" FROM THE BOTTOM OF THE SASH.

1/2" SOLID S.S. FLUSH BOLTS WITH A THROW OF 1" AT TOP & BOTTOM.

THE 1" X 2" X 0.764" DEEP STRIKE PLATES ARE INSTALLED WITH (2) #8 X 1/2" PHILLIPS FLAT HEAD AND SET IN WITH ACRYL-R SEAM SEALER BY SCHNEE-MOREHEAD INC.

HINGES:

(3) 4 X 4 1/2" SS METAL HINGES INSTALLED ON EACH SASH @ 8 1/4" FROM TOP AND BOTTOM OF SASH AND ONE AT CENTER.

(4) 6MM X 15MM PHILLIPS FLAT HEAD MACHINE SCREWS ON HINGE STILES OF THE SASH AND BI-FOLDING FRAME.



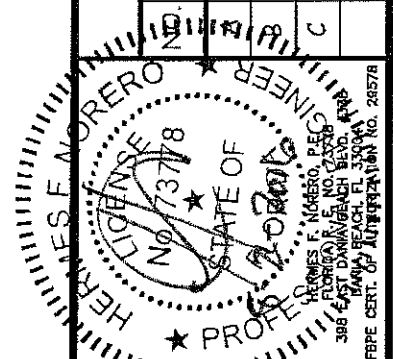
CONTINENTAL GLASS SYSTEMS LLC.
325 W. 74TH PLACE
HIALEAH, FL 33014
PH: (305) 231-1101 FX: (305) 231-1103

TITLE: SERIES 7200 ALUMINUM
OUTSWING BI-FOLDING
WINDOW (LMI)

PREPARED BY:
BUILDING DROPS, INC.
398 E. DANIA BEACH BLVD. #338
DANIA BEACH, FL 33004
PH: 954.399.8478 FX: 954.744.4738

REVISIONS

DESCRIPTION	BY	DATE
RER'S COMMENTS	TG	8.20.14
FBC CODE & EOR CHANGE	SM	07.17.15
MD RER COMMENTS	SM	08.01.16



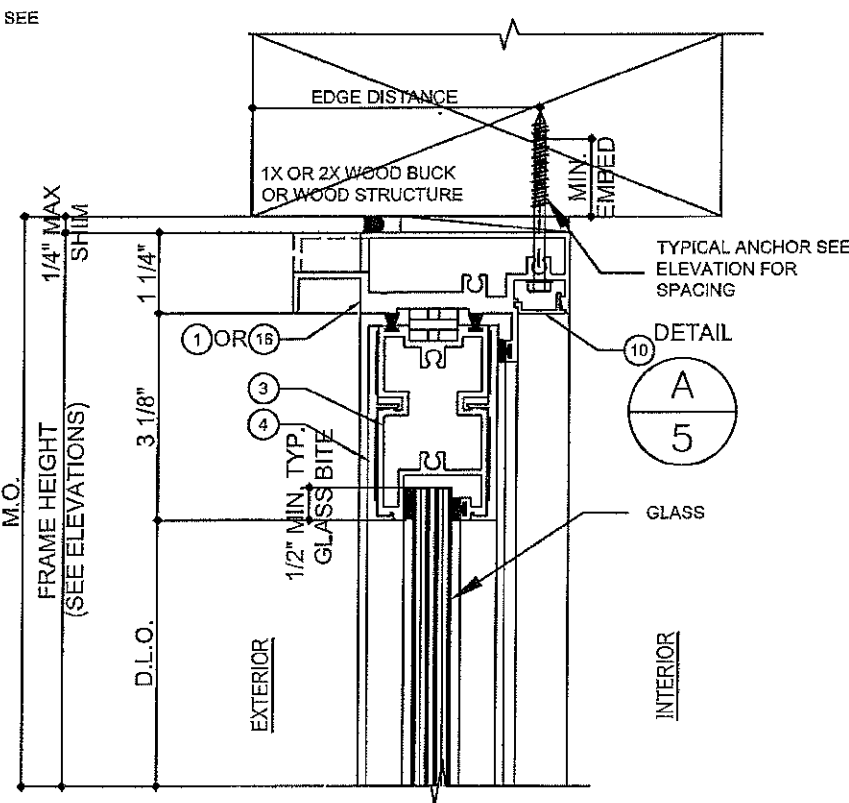
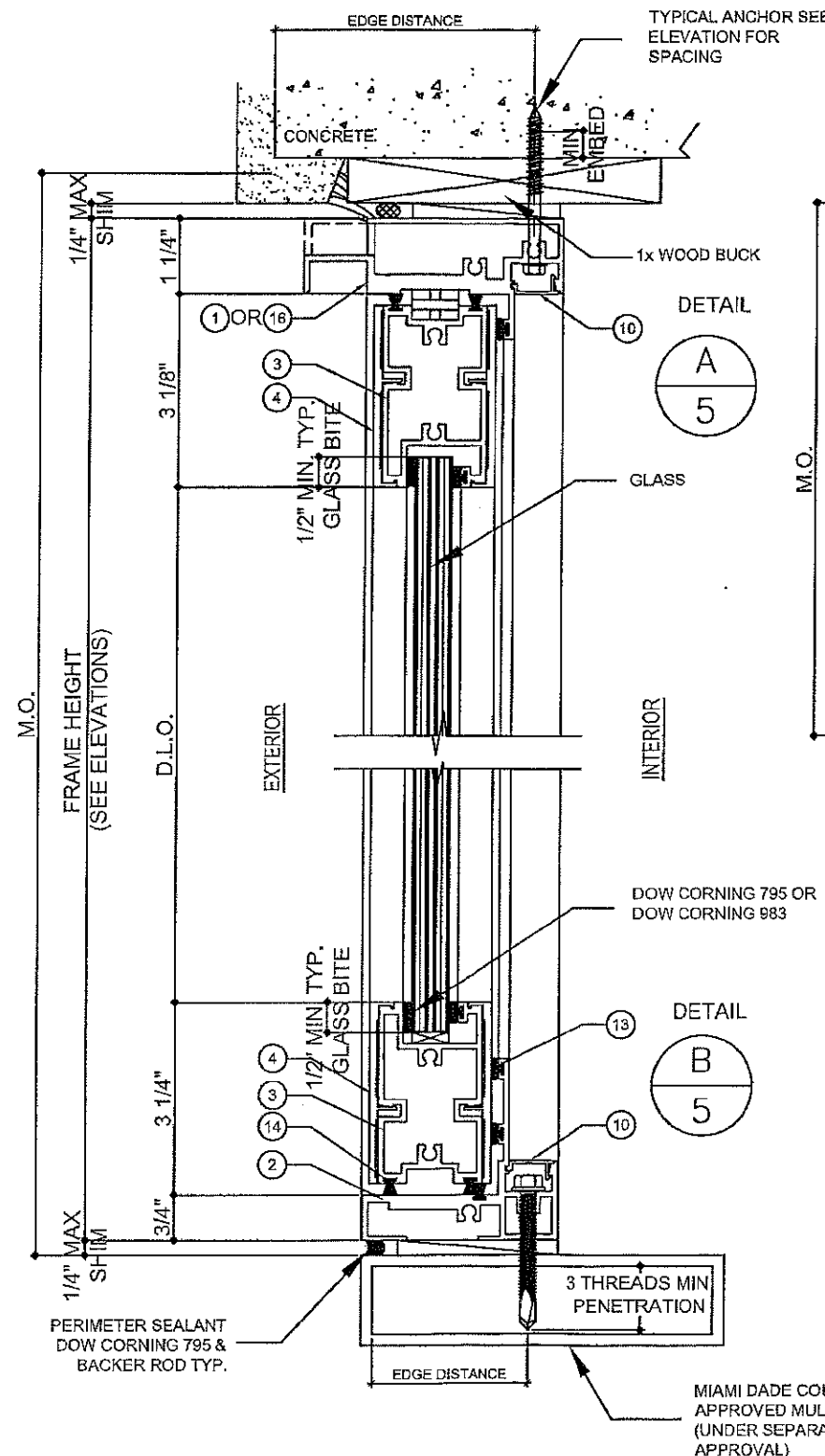
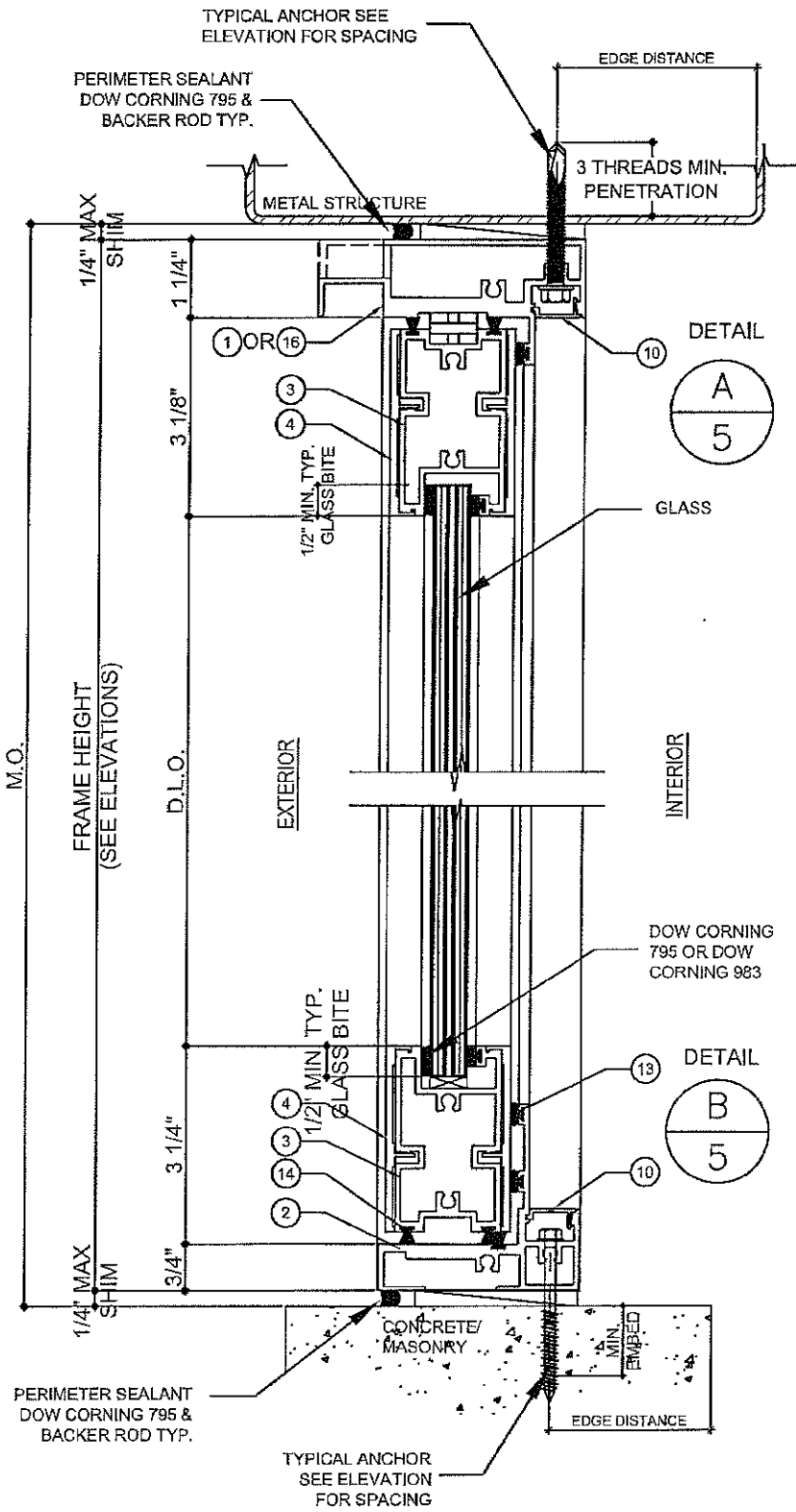
PRODUCT REVISED
as complying with the Florida
Building Code
NOA-No. **15-0827.24**
Expiration Date **09/04/2019**

DATE: 06.02.14
DWN BY: TG
CHK BY: HFN
SCALE: NTS

DWG #: **AD13-02**

By *[Signature]*
Miami-Dade Product Control

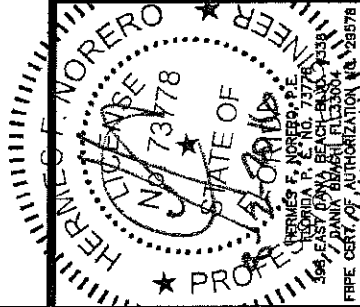
SHEET: **3 OF 8**



CONTINENTAL GLASS SYSTEMS LLC.
325 W. 74TH PLACE
HEALEAH, FL 33014
PH: (305) 231-1101 FX: (305) 231-1103

TITLE: SERIES 7200 ALUMINUM
OUTSWING BI-FOLDING
WINDOW (LMI)
PREPARED BY:
BUILDING DROPS, INC.
398 E. DANIA BEACH BLVD. #338
DANIA BEACH, FL 33004
PH: 954-399-8478 FX: 954-744-4738

REVISIONS	
DESCRIPTION	BY DATE
PER'S COMMENTS	TG 8.20.14
FBC CODE & EOR CHANGE	SM 07.17.15
MD PER COMMENTS	SM 08.01.16



PRODUCT REVISED
as complying with the Florida
Building Code
NOA-No. 15-0827.24

Expiration Date 09/04/2019
By *[Signature]*
Miami-Dade Product Control

DATE: 06.02.14
DWN BY: TG
CHK BY: HFN
SCALE: NTS

DWG #: AD13-02

SHEET: 5 OF 8

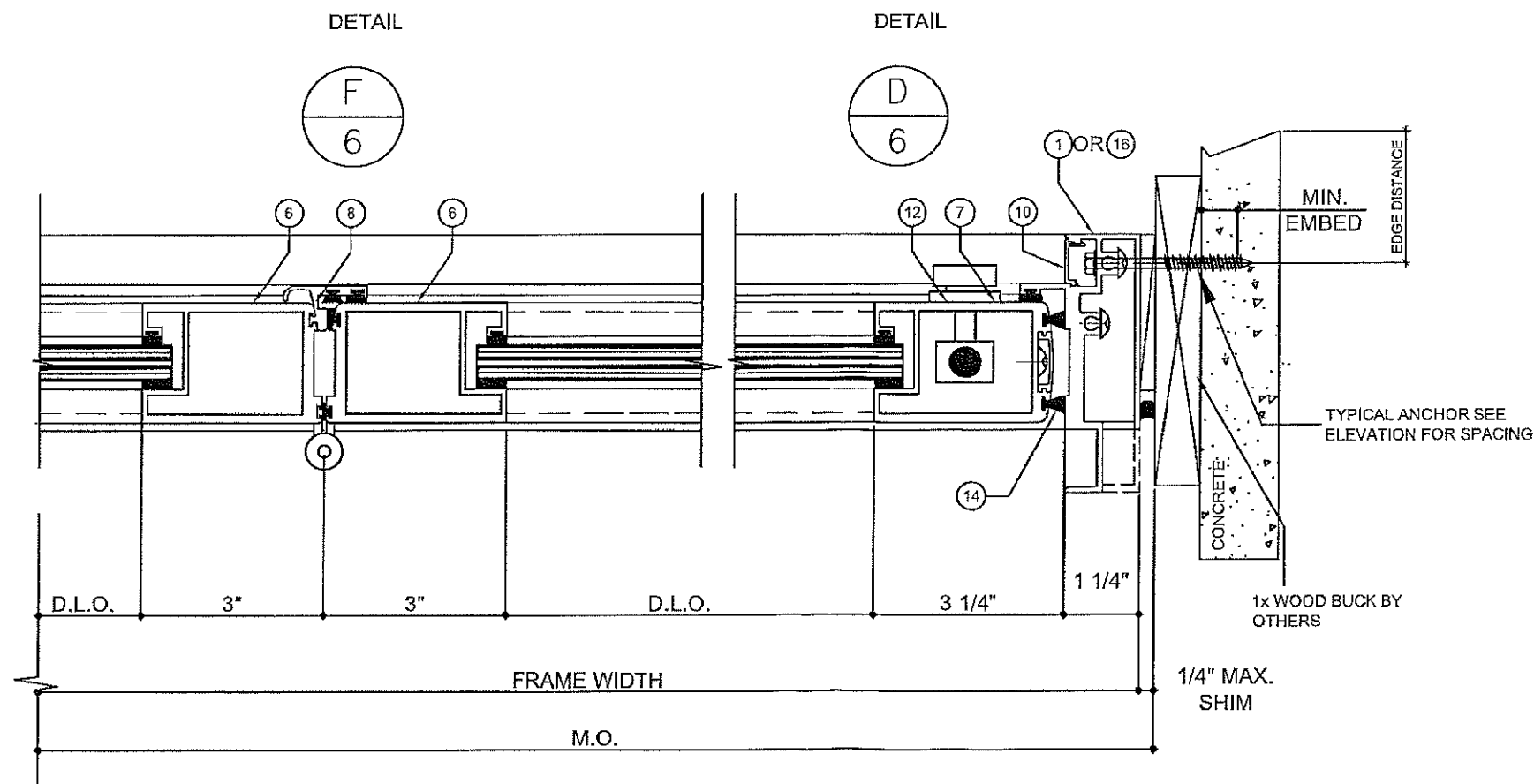
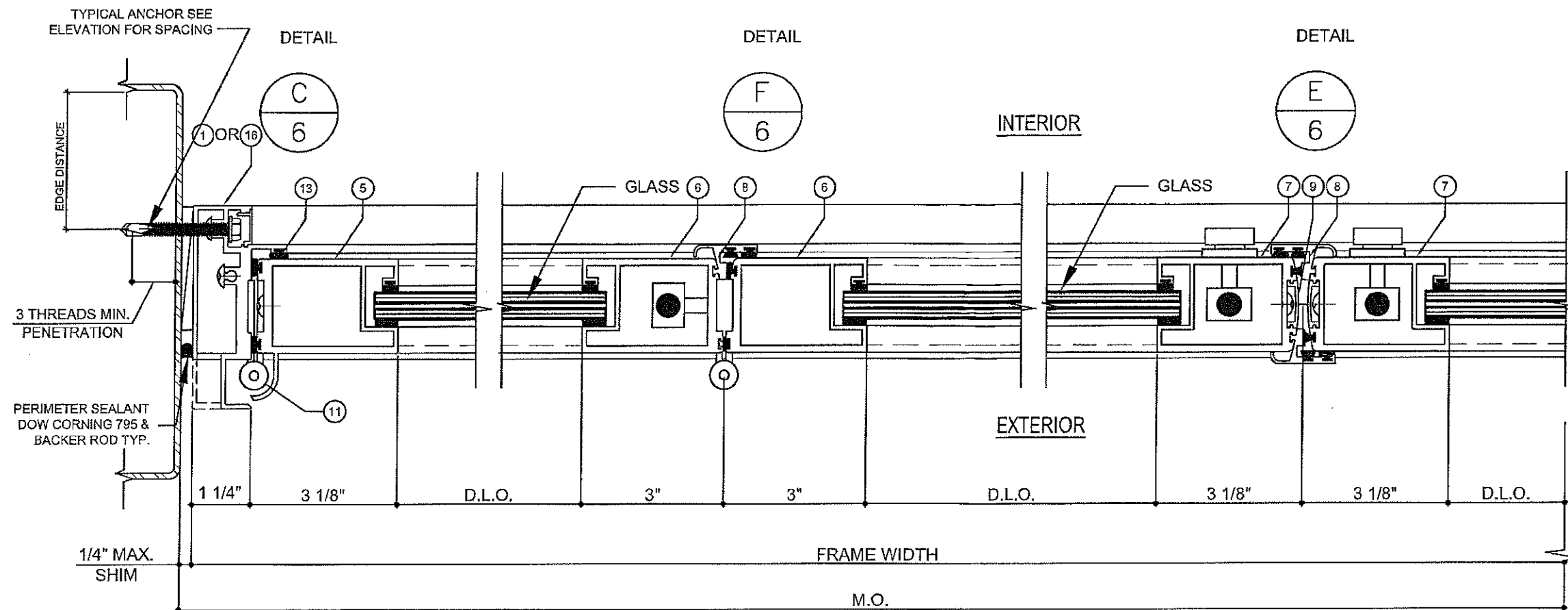
MIAMI DADE COUNTY
APPROVED MULLION
(UNDER SEPARATE
APPROVAL)



CONTINENTAL GLASS SYSTEMS LLC.
325 W. 74TH PLACE
HIALEAH, FL 33014
PH: (305) 231-1101 FX: (305) 231-1103

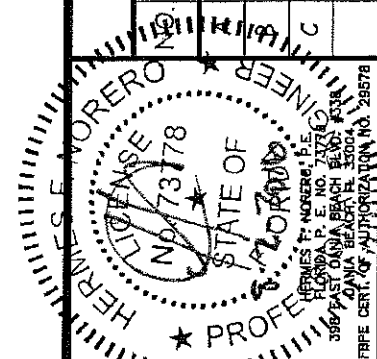
TITLE: SERIES 7200 ALUMINUM
OUTSWING BI-FOLDING
WINDOW (L.M.T.)

PREPARED BY:
BUILDING DROPS, INC.
398 E. DANIA BEACH BLVD. #338
DANIA BEACH, FL 33004
PH: 954-399-8478 FX: 954-744-4738



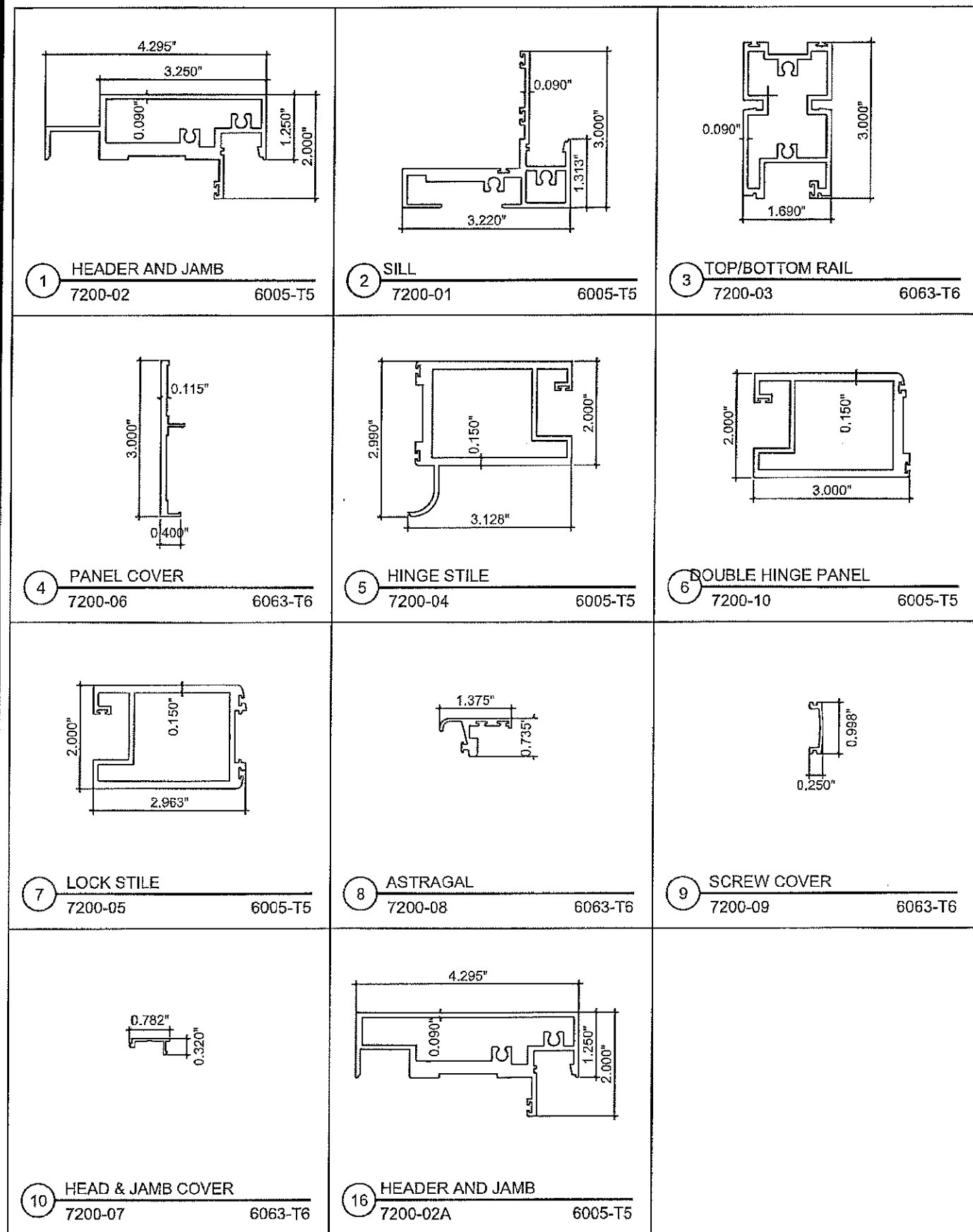
REVISIONS

DESCRIPTION	BY	DATE
RR'S COMMENTS	TG	8.20.14
FBC CODE & EOR CHANGE	SM	07.17.15
MD RER COMMENTS	SM	08.01.16



PRODUCT REVISED
as complying with the Florida
Building Code
NOA-No. **15-0827.24**
Expiration Date **09/04/2019**
By *[Signature]*
Miami-Dade Product Control

DATE:	06.02.14	DWN BY:	TG	CHK BY:	HFN	SCALE:	NTS
DWG #:	AD13-02						
SHEET:	6 OF 8						



BILL OF MATERIALS

ITEM #	PROFILE	DESCRIPTION	MATERIAL	MANUFACTURER/REMARKS
1	7200-02	HEADER AND JAMB	ALUM. 6005-T5	SAPA
2	7200-01	SILL	ALUM. 6005-T5	SAPA
3	7200-03	TOP/BOTTOM RAIL	ALUM. 6063-T6	SAPA
4	7200-06	PANEL COVER	ALUM. 6063-T6	SAPA
5	7200-04	HINGE STILE	ALUM. 6005-T5	SAPA
6	7200-10	DOUBLE HINGE PANEL	ALUM. 6005-T5	SAPA
7	7200-05	LOCK STILE	ALUM. 6005-T5	SAPA
8	7200-08	ASTRAGAL	ALUM. 6063-T6	SAPA
9	7200-09	SCREW COVER	ALUM. 6063-T6	SAPA
10	7200-07	HEAD & JAMB COVER	ALUM. 6063-T6	SAPA
11	4 x 4 1/2"	STAINLESS STEEL HINGE	STAINLESS STEEL	WITH (4) 1/2" F.H. MACHINE SCREW
12	BF-01-6501	TWO POINT LOCK	METAL	INTERLOCK
13	E206	VINYL BULB WITH MULTI FLAP		ULTRAFAB
14	-	PILE WEATHERSTRIP GASKET	YARN	TREMCO INC
15	-	SETTING BLOCK	EPDM	TREMCO INC-DUROMETER 85±5, SHORE 'A'
16	7200-02A	HEADER AND JAMB	ALUM. 6005-T5	SAPA
17	-	1" X 2" X 0.764" STRIKE PLATE	STEEL	

CONTINENTAL
Glass Systems

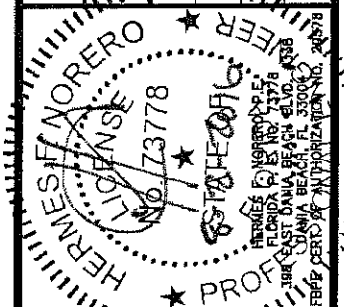
CONTINENTAL GLASS SYSTEMS LLC.
325 W. 74TH PLACE
HIALEAH, FL 33014
PH: (305) 231-1101 FX: (305) 231-1103

TITLE: SERIES 7200 ALUMINUM
OUTSWING BI-FOLDING
WINDOW (LMI)

PREPARED BY:
BUILDING DROPS, INC.
398 E. DANIA BEACH BLVD. #338
DANIA BEACH, FL 33004
PH: 954-399-8478 FX: 954-744-4738

REVISIONS

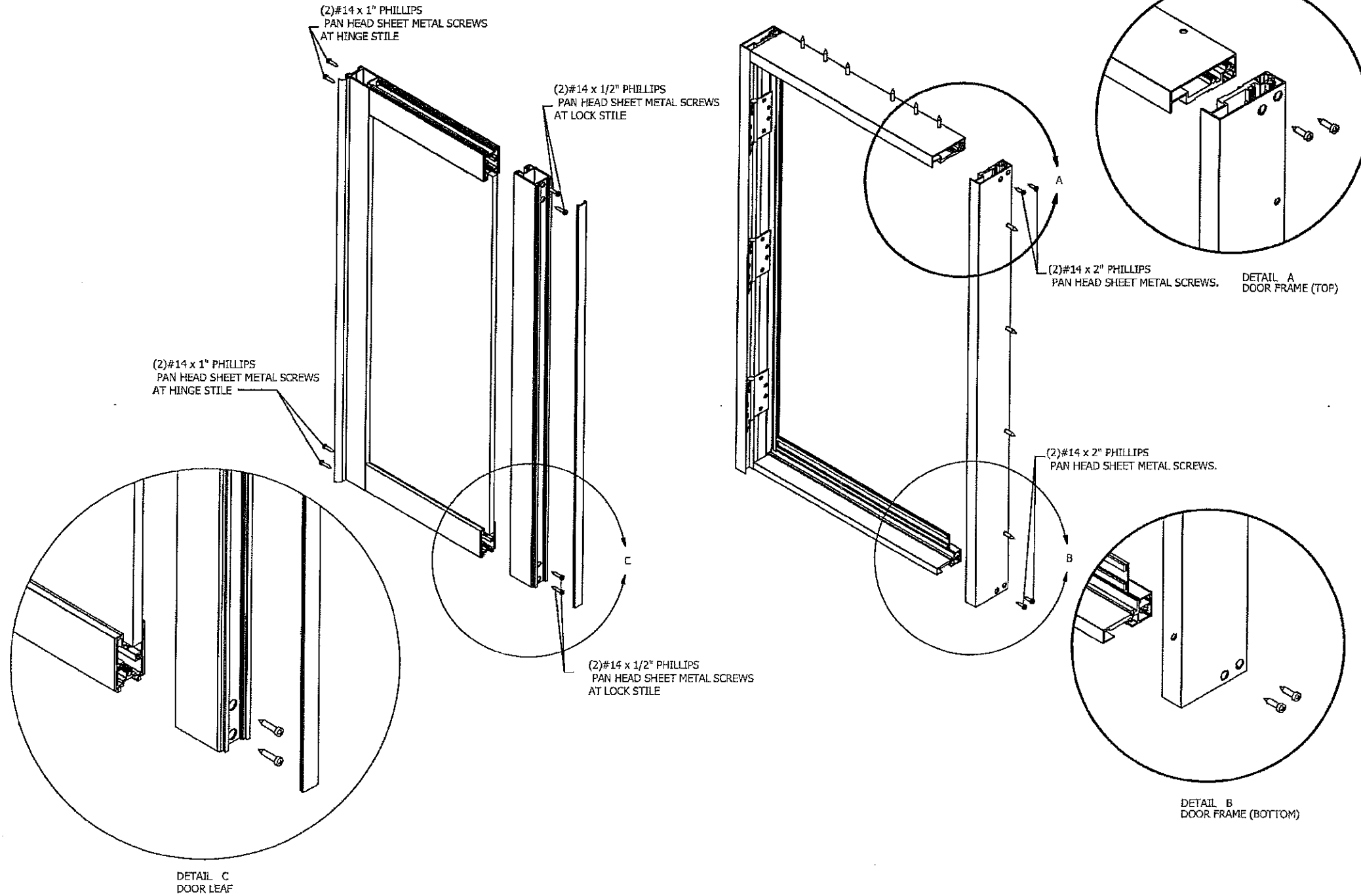
NO.	DESCRIPTION	BY	DATE
1	RER'S COMMENTS	TG	8.20.14
2	FBC CODE & EOR CHANGE	SM	07.17.15
3	MD RER COMMENTS	SM	08.01.16



PRODUCT REVISED
as complying with the Florida
Building Code
NOA-No. **15-0827.24**
Expiration Date **09/04/2019**
By *[Signature]*
Miami-Dade Product Control

DATE: 06.02.14
DWN BY: TG
CHK BY: HFN
SCALE: NTS

DWG #: **AD13-02**
SHEET: **7 OF 8**

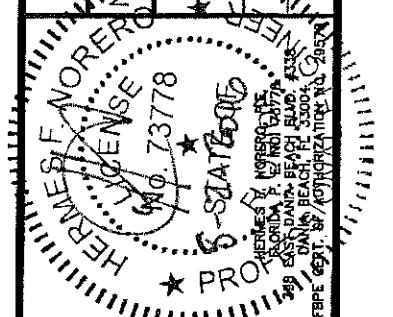


CONTINENTAL GLASS SYSTEMS LLC.
325 W. 74TH PLACE
HIALEAH, FL 33014
PH: (305) 231-1101 FX: (305) 231-1103

TITLE: SERIES 7200 ALUMINUM
OUTSWING BT-FOLDING
WINDOW (LMI)

PREPARED BY:
BUILDING DROPS, INC.
398 E. DANIA BEACH BLVD. #338
DANIA BEACH, FL 33004
PH: 954.399.8478 FX: 954.744.4738

REVISIONS		BY	DATE
DESCRIPTION		TG	8.20.14
	RER'S COMMENTS	SM	07.17.15
	FBC CODE & EOR CHANGE	SM	08.01.16
	MD RER COMMENTS		



PRODUCT REVISED
as complying with the Florida
Building Code
NOA-No. **15-0827.24**
Expiration Date **09/04/2019**
By Miami-Dade Product Control

DATE: 06.02.14
DWN BY: TG
CHK BY: HFN
SCALE: NTS

DWG #: AD13-02

SHEET: 8 OF 8