



DEPARTMENT OF REGULATORY AND ECONOMIC RESOURCES (RER)  
BOARD AND CODE ADMINISTRATION DIVISION

MIAMI-DADE COUNTY  
PRODUCT CONTROL SECTION  
11805 SW 26 Street, Room 208  
T (786) 315-2590 F (786) 315-2599  
[www.miamidade.gov/economy](http://www.miamidade.gov/economy)

**NOTICE OF ACCEPTANCE (NOA)**

Eco Window Systems, LLC  
9114 NW 106 Street  
Medley, FL 33178

**SCOPE:**

This NOA is being issued under the applicable rules and regulations governing the use of construction materials. The documentation submitted has been reviewed and accepted by Miami-Dade County RER - Product Control Section to be used in Miami Dade County and other areas where allowed by the Authority Having Jurisdiction (AHJ).

This NOA shall not be valid after the expiration date stated below. The Miami-Dade County Product Control Section (In Miami Dade County) and/or the AHJ (in areas other than Miami Dade County) reserve the right to have this product or material tested for quality assurance purposes. If this product or material fails to perform in the accepted manner, the manufacturer will incur the expense of such testing and the AHJ may immediately revoke, modify, or suspend the use of such product or material within their jurisdiction. RER reserves the right to revoke this acceptance, if it is determined by Miami-Dade County Product Control Section that this product or material fails to meet the requirements of the applicable building code.

This product is approved as described herein, and has been designed to comply with the Florida Building Code, including the High Velocity Hurricane Zone.

**DESCRIPTION: Series "S- 500" Aluminum Outswing Casement Window – S.M.I.**

**APPROVAL DOCUMENT:** Drawing No. W15-13, titled "S-500 Alum. Outswing Casement Wdw. (S.M.I.)", sheets 1 through 6 of 6, dated 03/27/15 with Revision "A" dated 06/10/16, prepared by Al-Farooq Corporation, signed and sealed by Javad Ahmad, P.E., bearing the Miami-Dade County Product Control Approval stamp with the Notice of Acceptance number and approval date by the Miami-Dade County Product Control Section.

**MISSILE IMPACT RATING: Small Missile Impact Resistant**

**LABELING:** Each unit shall bear a permanent label with the manufacturer's name or logo, city, state, model/series, and following statement: "Miami-Dade County Product Control Approved", unless otherwise noted herein.

**RENEWAL** of this NOA shall be considered after a renewal application has been filed and there has been no change in the applicable building code negatively affecting the performance of this product.

**TERMINATION** of this NOA will occur after the expiration date or if there has been a revision or change in the materials, use, and/or manufacture of the product or process. Misuse of this NOA as an endorsement of any product, for sales, advertising or any other purposes shall automatically terminate this NOA. Failure to comply with any section of this NOA shall be cause for termination and removal of NOA.

**ADVERTISEMENT:** The NOA number preceded by the words Miami-Dade County, Florida, and followed by the expiration date may be displayed in advertising literature. If any portion of the NOA is displayed, then it shall be done in its entirety.

**INSPECTION:** A copy of this entire NOA shall be provided to the user by the manufacturer or its distributors and shall be available for inspection at the job site at the request of the Building Official.

This NOA consists of this page 1 and evidence page E-1 and E-2, as well as approval document mentioned above.

The submitted documentation was reviewed by **Jorge M. Plasencia, P.E.**



*Jorge M. Plasencia*

NOA No. 15-0914.09  
Expiration Date: June 23, 2021  
Approval Date: June 23, 2016  
Page 1

NOTICE OF ACCEPTANCE: EVIDENCE SUBMITTED

**A. DRAWINGS**

1. Manufacturer's die drawings and sections.
2. Drawing No. **W15-13**, titled "S-500 Alum. Outswing Casement Wdw. (S.M.I.)", sheets 1 through 6 of 6, dated 03/27/15 with Revision "A" dated 06/10/16, prepared by Al-Farooq Corporation, signed and sealed by Javad Ahmad, P.E.

**B. TESTS**

1. Test reports on: 1) Air Infiltration Test, per FBC, TAS 202-94  
2) Uniform Static Air Pressure Test, Loading per FBC TAS 202-94  
3) Water Resistance Test, per FBC, TAS 202-94  
4) Small Missile Impact Test per FBC, TAS 201-94  
5) Cyclic Wind Pressure Loading per FBC, TAS 203-94  
6) Forced Entry Test, per FBC 2411 3.2.1, TAS 202-94  
along with marked-up drawings and installation diagram of a casement window, prepared by Fenestration Testing Laboratory Inc., Test Report No. **8175**, dated 03/16/15 signed and sealed by Idalmis Ortega, P.E.
2. Test reports on: 1) Air Infiltration Test, per FBC, TAS 202-94  
2) Uniform Static Air Pressure Test, Loading per FBC TAS 202-94  
3) Water Resistance Test, per FBC, TAS 202-94  
4) Small Missile Impact Test per FBC, TAS 201-94  
5) Cyclic Wind Pressure Loading per FBC, TAS 203-94  
6) Forced Entry Test, per FBC 2411 3.2.1, TAS 202-94  
along with marked-up drawings and installation diagram of a fixed window, prepared by Fenestration Testing Laboratory Inc., Test Report No. **8191**, dated 03/27/15 signed and sealed by Idalmis Ortega, P.E.  
*(Submitted under NOA#15-0914.10)*

**C. CALCULATIONS**

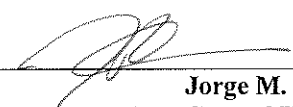
1. Anchor verification calculations and structural analysis, complying with FBC-2014, 5<sup>th</sup> edition, prepared by Al-Farooq Corporation, dated 08/06/15 and 06/10/16, signed and sealed by Javad Ahmad, P. E.
2. Glazing complies with ASTM E1300-09

**D. QUALITY ASSURANCE**

1. Miami-Dade Department of Regulatory and Economic Resources (RER)

**E. MATERIAL CERTIFICATIONS**

1. Notice of Acceptance No. **14-0916.10** issued to **Kuraray America, Inc.** for their "**Kuraray Butacite® PVB Glass Interlayer**" dated 06/25/15, expiring on 12/11/16.

  
\_\_\_\_\_  
Jorge M. Plasencia, P.E.  
Product Control Unit Supervisor  
NOA No. 15-0914.09  
Expiration Date: June 23, 2021  
Approval Date: June 23, 2016


NOTICE OF ACCEPTANCE: EVIDENCE SUBMITTED

**F. STATEMENTS**

1. Statement letter of conformance, complying with FBC-2014, 5<sup>th</sup> edition, and of no financial interest, dated 08/06/15, signed and sealed by Javad Ahmad, P.E.

**G. OTHER**

1. None.



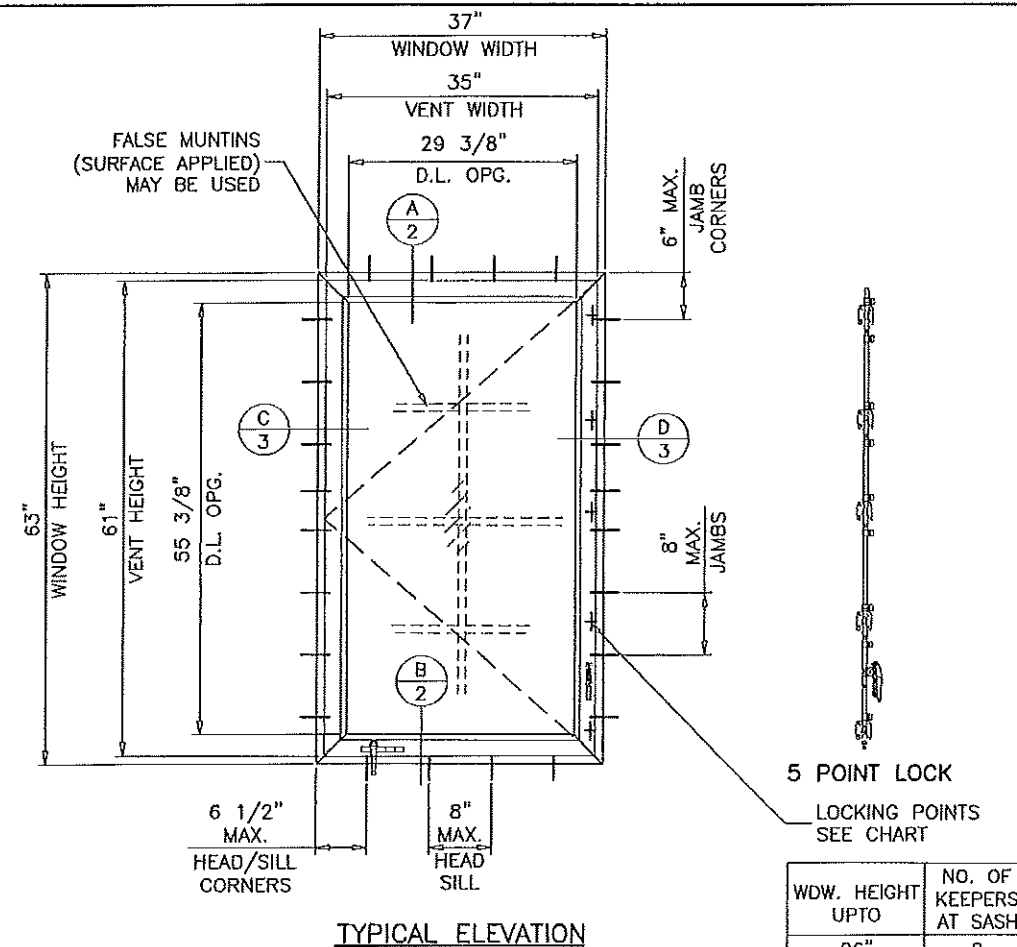
---

Jorge M. Plasencia, P.E.  
Product Control Unit Supervisor  
NOA No. 15-0914.09  
Expiration Date: June 23, 2021  
Approval Date: June 23, 2016

DESIGN LOAD CAPACITY - PSF FOR ( X ) SIZES					
WINDOW DIMS.		GLASS TYPE 'AA'		GLASS TYPE 'B'	
WIDTH	HEIGHT	EXT.(+)	INT.(-)	EXT.(+)	INT.(-)
19-1/8"	50-5/8"	90.0	130.0	90.0	120.0
26-1/2"		90.0	130.0	90.0	120.0
32"		90.0	130.0	90.0	120.0
37"		90.0	130.0	90.0	120.0
19-1/8"	63"	90.0	130.0	90.0	120.0
26-1/2"		90.0	130.0	90.0	120.0
32"		90.0	130.0	90.0	120.0
37"		90.0	130.0	90.0	120.0
19-1/8"	76"	88.0	127.2	88.0	117.4
26-1/2"		65.0	94.0	65.0	86.7
18"	48"	90.0	130.0	90.0	120.0
24"		90.0	130.0	90.0	120.0
30"		90.0	130.0	90.0	120.0
36"		90.0	130.0	90.0	120.0
18"	54"	90.0	130.0	90.0	120.0
24"		90.0	130.0	90.0	120.0
30"		90.0	130.0	90.0	120.0
36"		90.0	130.0	90.0	120.0
18"	60"	90.0	130.0	90.0	120.0
24"		90.0	130.0	90.0	120.0
30"		90.0	130.0	90.0	120.0
36"		90.0	130.0	90.0	120.0
18"	66"	90.0	130.0	90.0	120.0
24"		90.0	130.0	90.0	120.0
30"		90.0	130.0	90.0	120.0
36"		90.0	130.0	90.0	120.0
18"	72"	90.0	130.0	90.0	120.0
24"		84.1	121.5	84.1	112.1
30"		69.1	99.8	69.1	92.1

NOTE:  
GLASS CAPACITIES ON THIS SHEET ARE  
BASED ON ASTM E1300-09 (3 SEC. GUSTS)  
AND FLORIDA BUILDING COMMISSION  
DECLARATORY STATEMENT DCA05-DEC-219

GLASS D.L.O. DIMS.  
D.L.O. HEIGHT = WINDOW HEIGHT - 7.625"  
D.L.O. WIDTH = WINDOW WIDTH - 7.625"



WDW. HEIGHT UPTO	NO. OF KEEPERS AT SASH
26"	2
38-3/8"	3
50-5/8"	4
76"	5

**ECO-GUARD SERIES-500**  
**ALUMINUM OUTSWING CASEMENT WINDOW**

DESIGN LOAD RATINGS FOR THESE WINDOWS TO BE AS PER CHART SHOWN ABOVE.

APPROVAL APPLIES TO SINGLE UNITS OR SIDE BY SIDE COMBINATIONS OF CASMT/CASMT OR CASEMENT WITH OTHER WINDOW TYPES IN MODULES OF TWO OR MORE WINDOWS USING MIAMI-DADE COUNTY APPROVED MULLIONS IN BETWEEN. LOWER DESIGN PRESSURE FROM WINDOWS OR MULLION APPROVAL WILL APPLY TO ENTIRE SYSTEM.

THIS PRODUCT HAS BEEN DESIGNED AND TESTED TO COMPLY WITH THE REQUIREMENTS OF THE 2014 (5TH EDITION) FLORIDA BUILDING CODE INCLUDING HIGH VELOCITY HURRICANE ZONE (HVHZ).

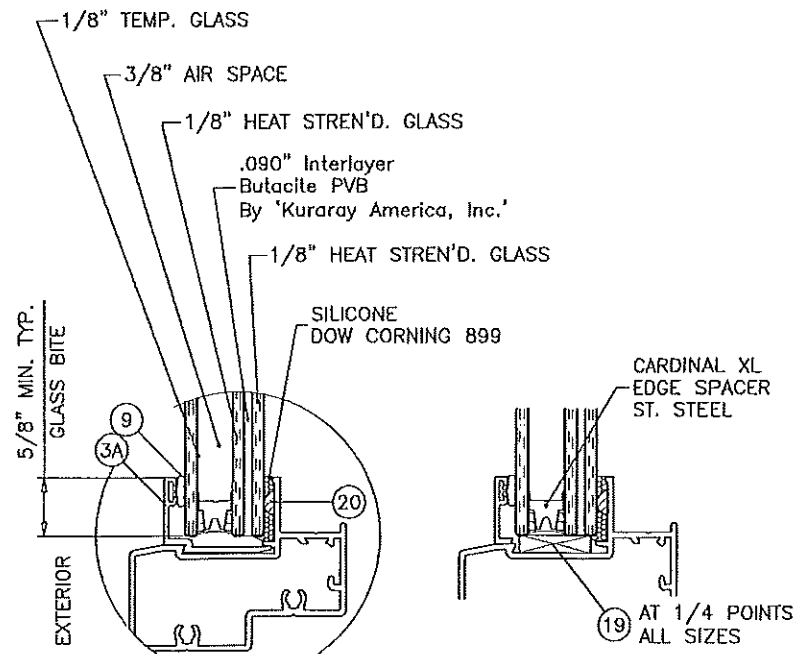
WOOD BUCKS BY OTHERS, MUST BE ANCHORED PROPERLY TO TRANSFER LOADS TO THE STRUCTURE.

ANCHORS SHALL BE AS LISTED, SPACED AS SHOWN ON DETAILS, ANCHORS EMBEDMENT TO BASE MATERIAL SHALL BE BEYOND WALL DRESSING OR STUCCO.

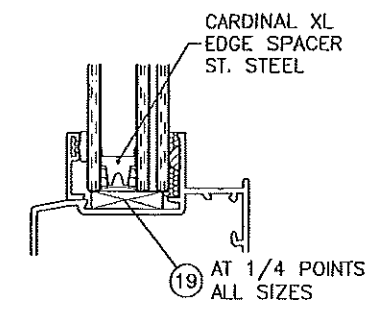
ANCHORING OR LOADING CONDITIONS NOT SHOWN IN THESE DETAILS ARE NOT PART OF THIS APPROVAL.

A LOAD DURATION INCREASE IS USED IN DESIGN OF ANCHORS INTO WOOD ONLY. ALL SHIMS TO BE HIGH IMPACT, NON-METALLIC AND NON-COMPRESSIBLE.

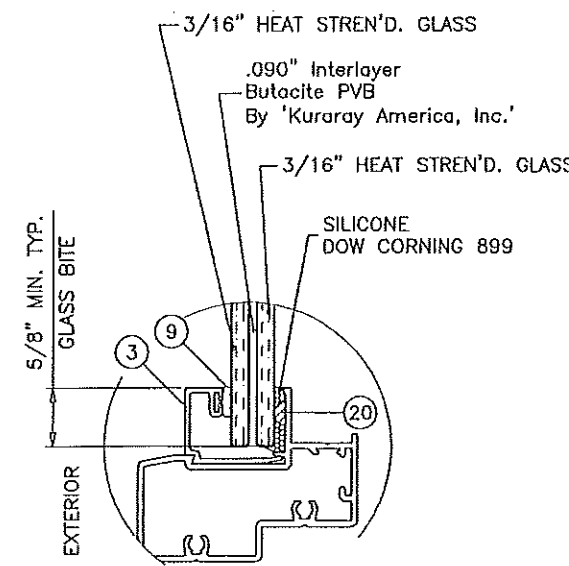
MATERIALS INCLUDING BUT NOT LIMITED TO STEEL/METAL SCREWS, THAT COME INTO CONTACT WITH OTHER DISSIMILAR MATERIALS SHALL MEET THE REQUIREMENTS OF THE 2014 FLORIDA BUILDING CODE & ADOPTED STANDARDS.



**GLASS TYPE 'AA'**  
13/16" OVERALL INSUL. LAM. GLASS



SETTING BLOCKS AT INSUL. LAM. GLASS NOTCH. GLAZING BEAD LEG TO CLEAR BLOCKS

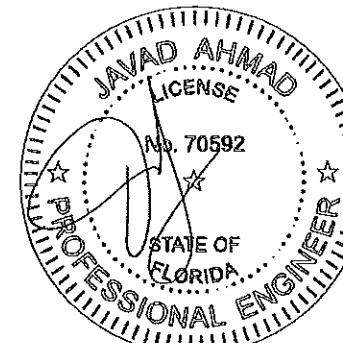


**GLASS TYPE 'B'**  
7/16" OVERALL LAM. GLASS

**GLAZING OPTIONS**

THESE WINDOWS ARE RATED FOR SMALL MISSILE IMPACT. MIAMI-DADE COUNTY APPROVED IMPACT RESISTANT SHUTTERS REQUIRED FOR INSTALLATIONS UP TO 30 FT. OF GRADE. SHUTTERS NOT REQD. FOR INSTALLATIONS ABOVE 30 FT. OF GRADE.

**PRODUCT APPROVED**  
as complying with the Florida Building Code  
NOA-No. **15-0914.09**  
Approval Date **06/23/2016**  
By **Miami-Dade Product Control**



JUN 10 2016

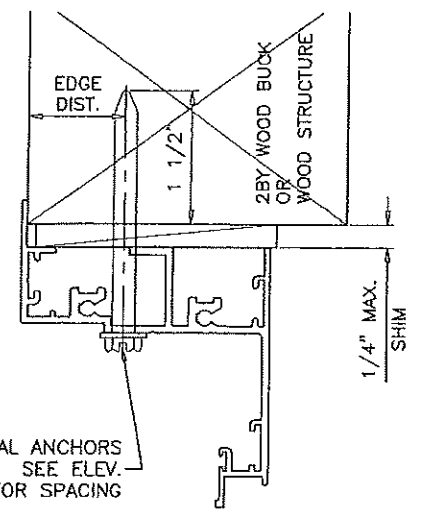
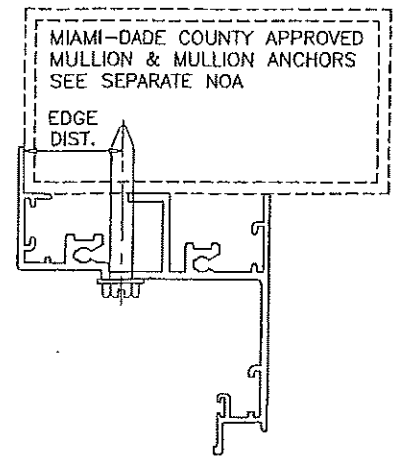
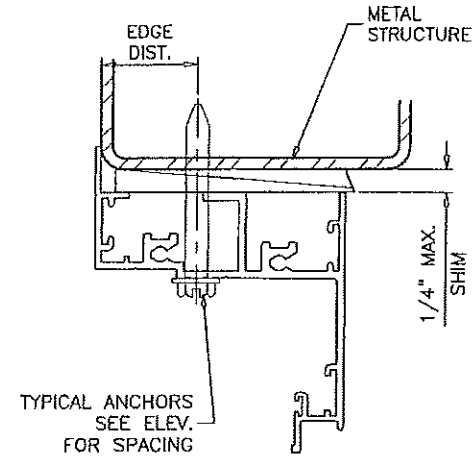
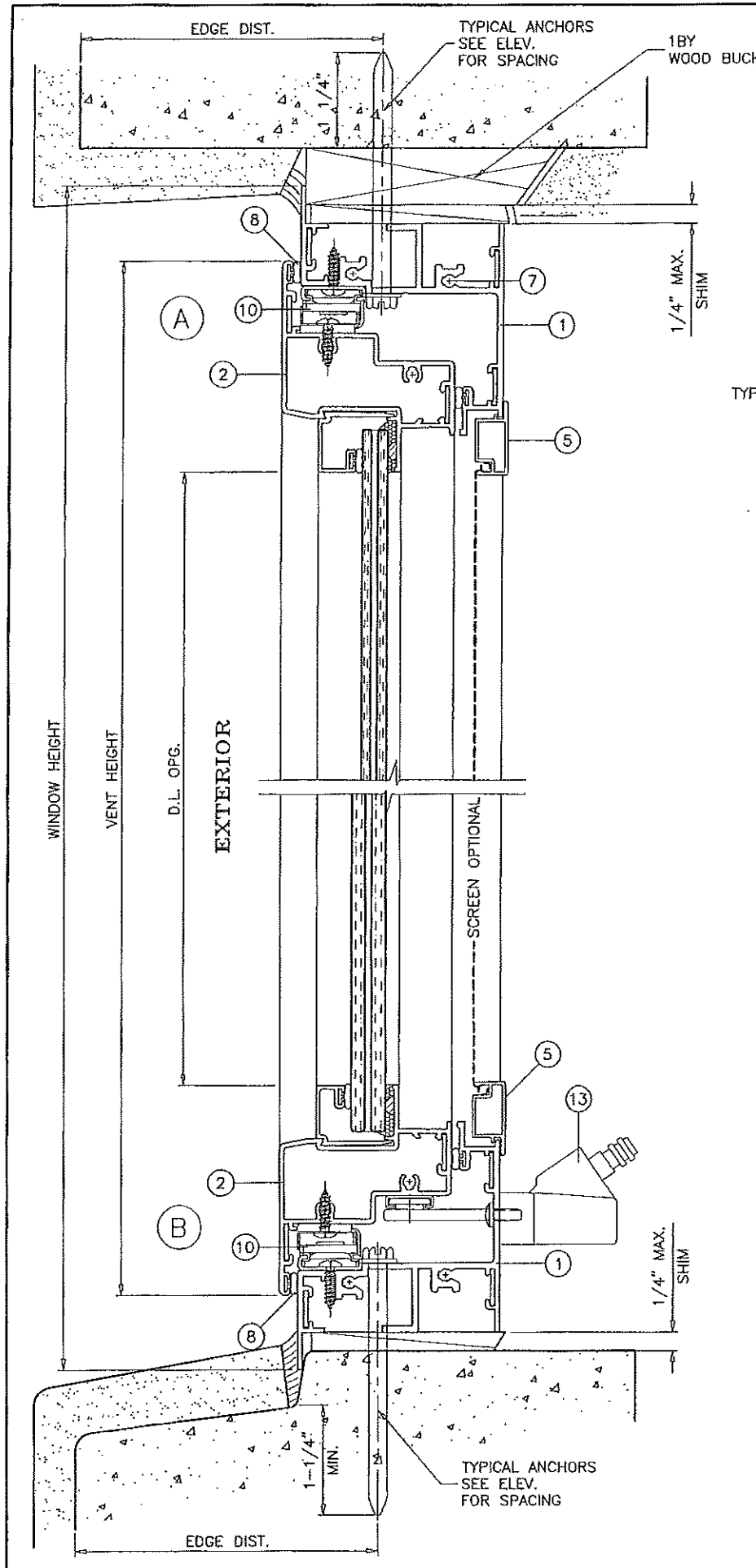
**AL-FAROOQ CORPORATION**  
ENGINEERS & PRODUCT DEVELOPMENT  
9360 SUNSET DRIVE, SUITE 220  
MIAMI, FLORIDA 33173 (C.A.N. 3538)  
TEL. (305) 262-6978 FAX. (305) 264-8100  
COMP-ANL W15-13ECO

**ECO WINDOW SYSTEMS, LLC.**  
9114 N.W. 106 STREET  
MEDLEY, FL. 33178  
TEL. (305) 885-5299 FAX (305) 885-5902

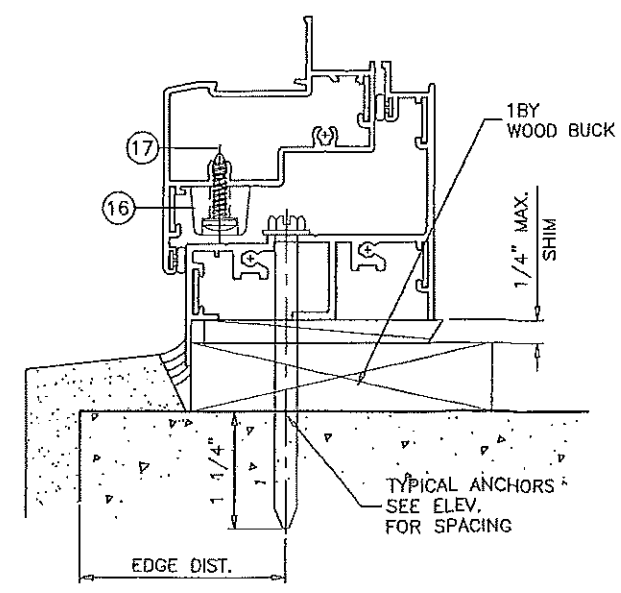
NO.	DATE	DESCRIPTION	REV. PER	COMMENTS
A	06.10.16			

date: 03-27-15  
scale: 1/2"=1'-0"  
dr. by: HAMID  
chk. by:

drawing no. **W15-13**  
sheet 1 of 6



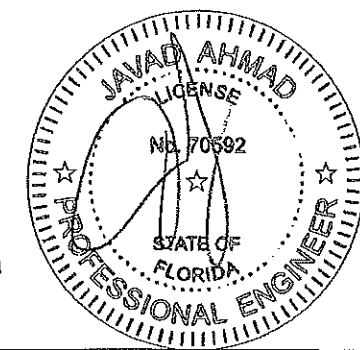
WOOD BUCKS AND METAL STRUCTURE NOT BY ECO WDW. MUST SUSTAIN LOADS IMPOSED BY GLAZING SYSTEM AND TRANSFER THEM TO THE BUILDING STRUCTURE.



**TYPICAL ANCHORS:** SEE ELEV. FOR SPACING  
 1/4" DIA. ULTRACON BY 'ELCO' (Fu=177 KSI, Fy=155 KSI)  
 INTO 2BY WOOD BUCKS OR WOOD STRUCTURES  
 1-1/2" MIN. PENETRATION INTO WOOD (HEAD/SILL/JAMBS)  
 THRU 1BY BUCKS INTO CONC. OR MASONRY  
 1-1/4" MIN. EMBED INTO CONCRETE (HEAD/SILL/JAMBS)  
 1-1/4" MIN. EMBED INTO MASONRY (JAMBS)  
 DIRECTLY INTO CONCRETE OR MASONRY  
 1-1/4" MIN. EMBED INTO CONCRETE (HEAD/SILL/JAMBS)  
 1-1/4" MIN. EMBED INTO MASONRY (JAMBS)  
**#14 SMS OR SELF DRILLING SCREWS** (GRADE 2 CRS)  
 INTO METAL STRUCTURES (HEAD/SILL/JAMBS)  
 ALUMINUM: 1/8" THK. MIN. (6063-T5 MIN.)  
 STEEL: 1/8" THK. MIN. (Fy = 36 KSI MIN.)  
 (STEEL IN CONTACT WITH ALUMINUM TO BE PLATED OR PAINTED)  
**#12 SMS OR SELF DRILLING SCREWS** (GRADE 2 CRS)  
 INTO MIAMI-DADE COUNTY APPROVED MULLIONS  
 ALUMINUM: 1/8" THK. MIN. (6063-T5 MIN.) (NO SHIM SPACE)  
 STEEL: 1/8" THK. MIN. (Fy = 36 KSI MIN.) (NO SHIM SPACE)  
 (STEEL IN CONTACT WITH ALUMINUM TO BE PLATED OR PAINTED)  
**TYPICAL EDGE DISTANCE**  
 INTO CONCRETE AND MASONRY = 2-1/2" MIN.  
 INTO WOOD STRUCTURE = 1" MIN.  
 INTO METAL STRUCTURE = 3/4" MIN.  
 WOOD AT HEAD, SILL OR JAMBS SG = 0.55 MIN.  
 CONCRETE AT HEAD, SILL OR JAMBS f'c = 3000 PSI MIN.  
 C-90 HOLLOW/FILLED BLOCK AT JAMBS f'm = 2000 PSI MIN.

**PRODUCT APPROVED**  
 as complying with the Florida  
 Building Code  
 NOA-No. **15-0914.09**  
 Approval Date **06/23/2016**  
 By *[Signature]*  
 Miami-Dade Product Control

JUN 10 2016



**af c**  
**AL-FAROOQ CORPORATION**  
 ENGINEERS & PRODUCT DEVELOPMENT  
 9360 SUNSET DRIVE, SUITE 220  
 MIAMI, FLORIDA 33173 (C.A.N. 3538)  
 TEL. (305) 264-8100 FAX. (305) 262-6978  
 COMP-ANL W15-13ECO

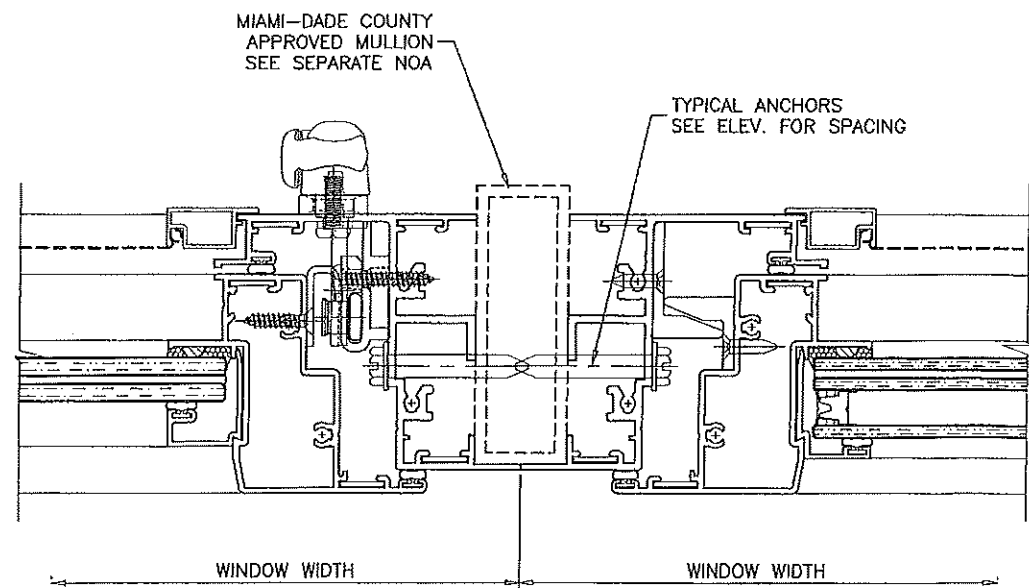
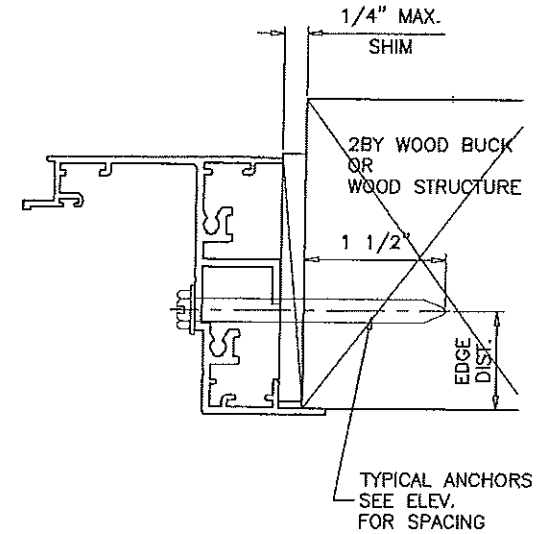
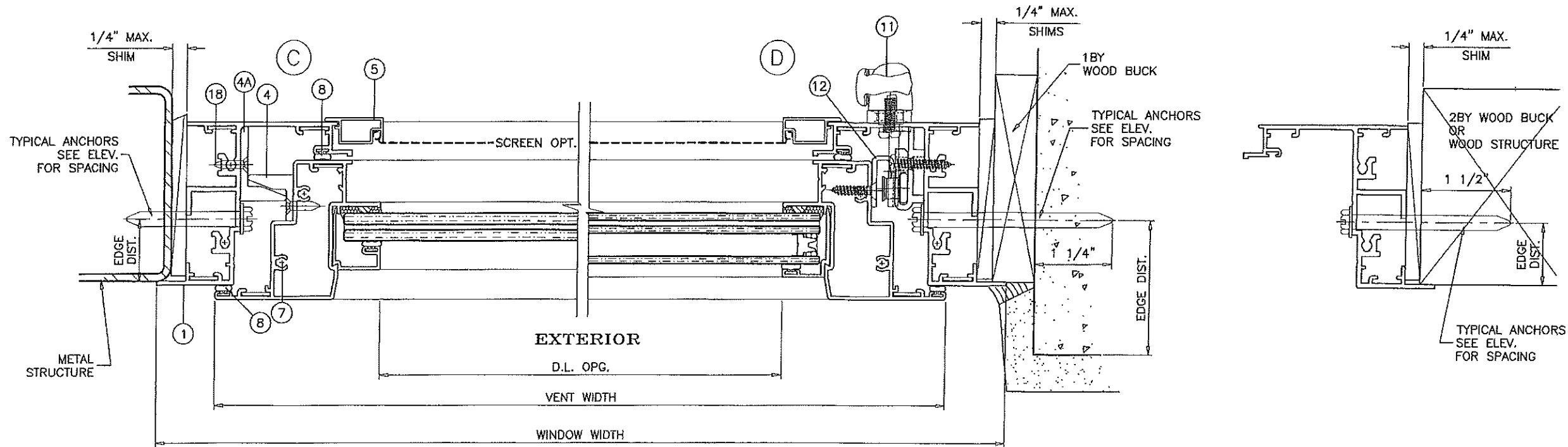
S-500 ALUM OUTSWING CASEMENT WDW. (S.M.I.)  
**ECO WINDOW SYSTEMS, LLC.**  
 9114 N.W. 106 STREET  
 MEDLEY, FL. 33178  
 TEL. (305) 885-5299 FAX (305) 885-5902

NO.	DATE	BY	DESCRIPTION
A	06.10.16		REV. PER PER COMMENTS

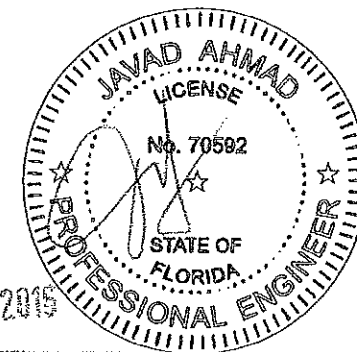
revisions:

date: 03-27-15  
 scale: 1/2" = 1"  
 dr. by: HAMID  
 chk. by:

drawing no. **W15-13**  
 sheet 2 of 6



**PRODUCT APPROVED**  
as complying with the Florida  
Building Code  
NOA-No. 15-0914.09  
Approval Date 06/23/2016  
By Javad Ahmad  
Miami-Dade Product Control

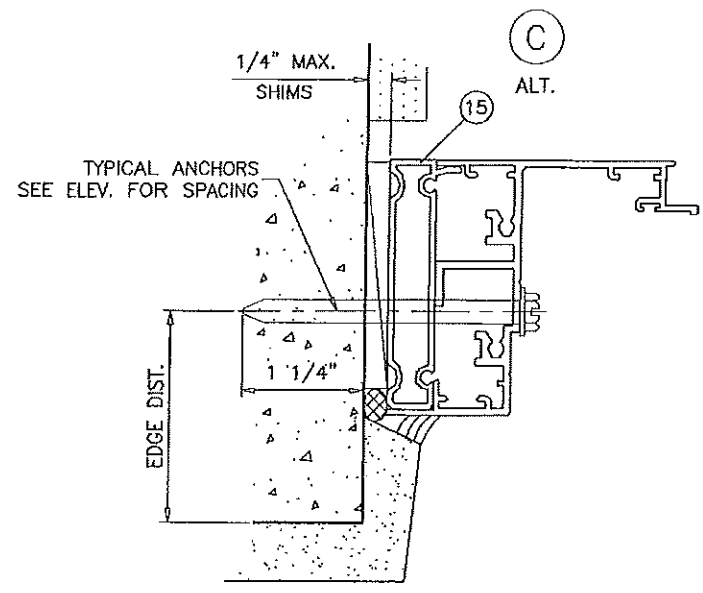
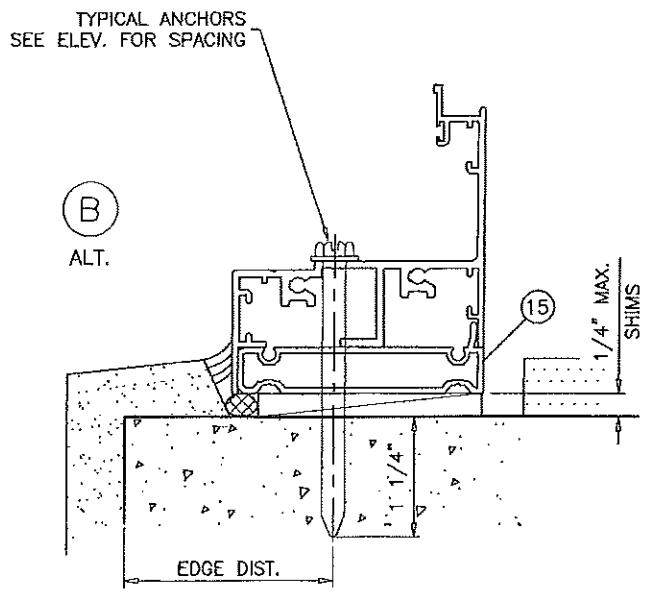
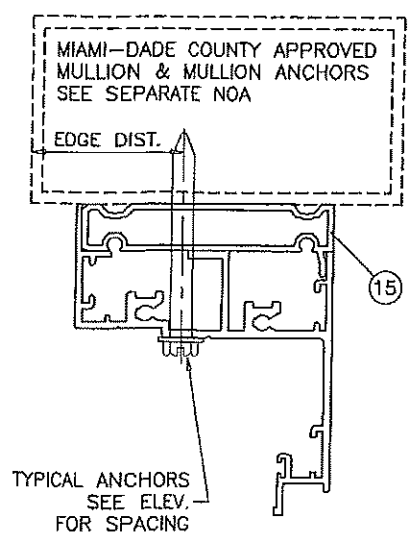
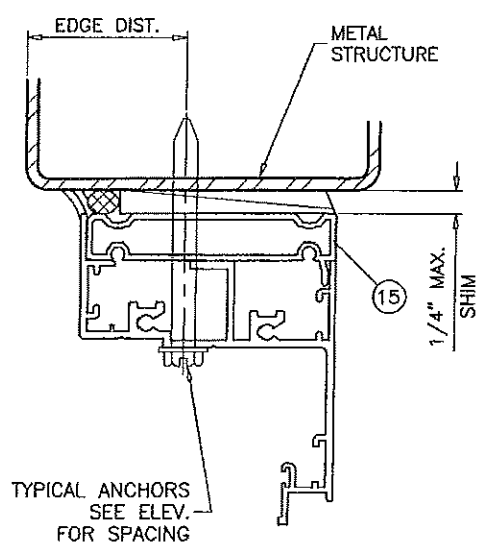
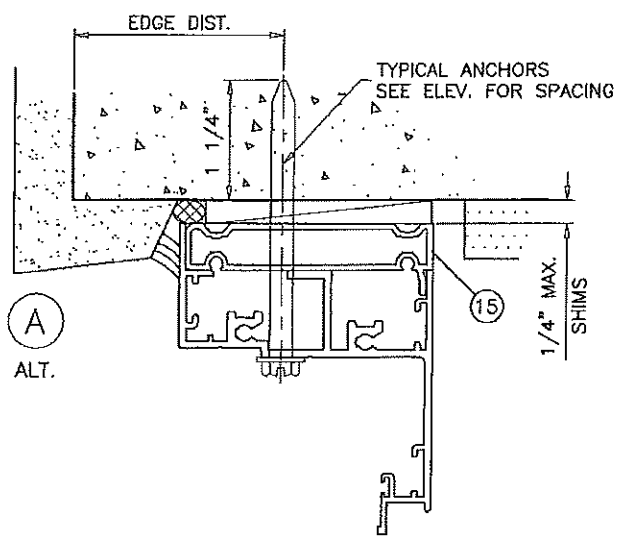


JUN 10 2016

**a f c**  
**AL-FAROOQ CORPORATION**  
ENGINEERS & PRODUCT DEVELOPMENT  
9360 SUNSET DRIVE, SUITE 220  
MIAMI, FLORIDA 33173 (C.A.N. 3538)  
TEL. (305) 264-8100 FAX (305) 262-6978  
COMP-ANL\W15-13ECO

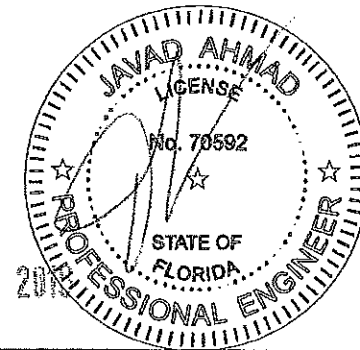
S-500 ALUM OUTSWING CASEMENT WDW. (S.M.I.)  
**ECO WINDOW SYSTEMS, LLC.**  
9114 N.W. 106 STREET  
MEDLEY, FL. 33178  
TEL. (305) 885-5299 FAX (305) 885-5902

revisions:	no.	date	by	description
	A	06.10.16		NO CHANGE THIS SHEET
date:	03-27-15			
scale:	1/2" = 1"			
dr. by:	HAMID			
chk. by:				
drawing no.	W15-13			
sheet	3 of 6			



INSTALLATION DETAILS WITH FLUSH FRAME ADAPTER

**PRODUCT APPROVED**  
 as complying with the Florida  
 Building Code  
 NOA-No. **15-0914.09**  
 Approval Date **06/23/2016**  
 By *[Signature]*  
 Miami-Dade Product Control



JUN 10 2016

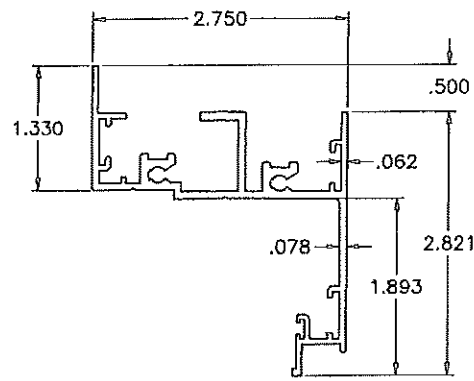
**af c**  
**AL-FAROOQ CORPORATION**  
 ENGINEERS & PRODUCT DEVELOPMENT  
 9360 SUNSET DRIVE, SUITE 220 (C.A.N. 3588)  
 MIAMI, FLORIDA 33173  
 TEL. (305) 264-8100 FAX (305) 262-6978  
 COMP-ANL\W15-13ECO

S-500 ALUM OUTSWING CASEMENT WDW. (S.M.I.)  
**ECO WINDOW SYSTEMS, LLC.**  
 9114 N.W. 106 STREET  
 MEDLEY, FL. 33178  
 TEL. (305) 885-5299 FAX (305) 885-5902

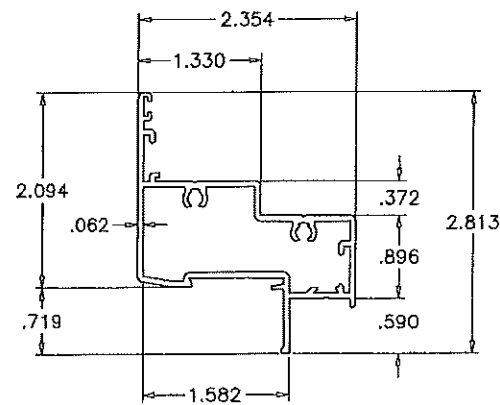
no.	date	by	description
A	06.10.16		NO CHANGE THIS SHEET

date:	03-27-15
scale:	1/2" = 1"
dr. by:	HAMID
chk. by:	

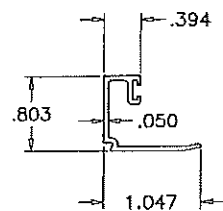
drawing no.  
**W15-13**  
 sheet 4 of 6



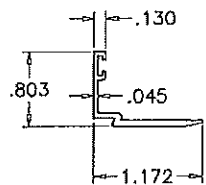
① FRAME HEAD/SILL/JAMB



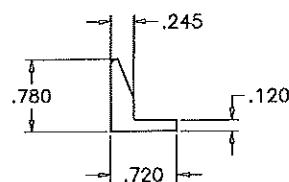
② VENT



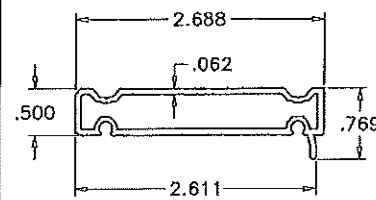
③ GLAZING BEAD (7/16" LAM. GLASS)



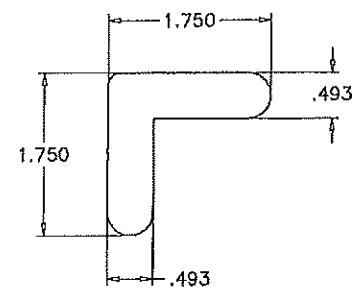
③A GLAZING BEAD (INSUL. LAM. GLASS)



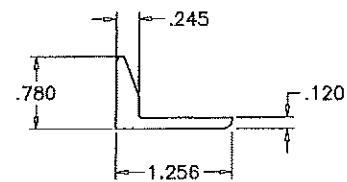
④ SNUBBER - VENT



⑮ FLUSH FRAME ADAPTER



⑭ CORNER KEY



④A SNUBBER - FRAME

ITEM	PART #	QUANTITY	DESCRIPTION	MATERIAL	MANF./SUPPLIER/REMARKS
1	E501	4	FRAME HEAD/SILL/JAMB	6063-T6	-
2	E502	4	VENT	6063-T6	-
3	FY109	AS REQD.	GLAZING BEAD (7/16" LAM. GLASS)	6063-T6	-
3A	E505	AS REQD.	GLAZING BEAD (INSUL. LAM. GLASS)	6063-T6	-
4	E508	AS REQD.	SNUBBER - VENT (LENGTH = VENT HT.)	6063-T6	-
4A	E509	AS REQD.	SNUBBER - FRAME (LENGTH = VENT HT.)	6063-T6	-
5	E506	OPTIONAL	SCREEN FRAME	6063-T5	-
7	#10 X 1-1/4"	AS REQD.	FRAME AND VENT ASSEMBLY SCREWS	-	H WH SMS
8	E203	AS REQD.	BULB WEATHERSTRIPPING, DUROMETER 65	SANTOPRENE	ULTRAFAB
9	E203	AS REQD.	GLAZING BEAD BULB, DUROMETER 65	SANTOPRENE	ULTRAFAB
10	35.12.00.400	2/ VENT	4 BAR HINGE, AT TOP AND BOTTOM	STEEL	TRUTH, INSTALLED WITH (2) #10 X 3/4" SDS
11	13096.92	1	MULTI POINT LOCK SYSTEM	ZAMAK	TRUTH
12	-	AS REQD.	KEEPER	STEEL	SEE SHEET 1 FOR QUANTITIES
13	-	1/ VENT	ROTO OPERATOR	ZAMAK/STL.	TRUTH
14	PSJ40-SS	2/ CORNER	FRAME/VENT CORNER KEY	ST. STEEL	-
15	FY120	AS REQD.	FLUSH FRAME ADAPTER	6063-T6	OPTIONAL
16	-	3	ANTI SAG SKATE	NYLON	M&M PLASTICS
17	#10 X 1-1/4"	2/ SKATE	FH SDS SKATE SCREWS	-	-
18	#8 X 3/4"	AS REQD.	SNUBBER SCREWS, FH SELF DRILLING	-	IN PAIRS 2" APART, PAIRS SPACED AT 7-3/4" O.C.
19	-	2/ LITE	SETTING BLOCK, 3/16" X 3/4" X 4" LONG	EPDM	DUROMETER 80±5 SHORE A
20	FLB-50	-	GLASS SPACER - 1/8" HIGH	SILICONE	FRANK LOWE

**SEALANT:**

ALL JOINTS AND FRAME CONNECTIONS SEALED WITH SCHNEE-MOREHEAD SM5504 SEAM SEALER.  
PARIMETER CAULKING SICAFLEX 15LM ON EXTERIOR ONLY.

**LOCKS:**

MULTIPOINT LOCK SYSTEM #13096.92 BY 'TRUTH' AT FRAME JAMB  
LOCK OPERATOR #24.33.XX.004 AT 8-1/2" FROM SILL FASTENED TO JAMBS WITH (2) #10 X 1/2" PH SMS.  
LOCK BAR SECURED TO JAMB WITH LOCK GUIDES #33489.00.0001 SPACED AT 12-3/4" O.C. MAX.  
EACH GUIDE FASTENED WITH (2) #8 X 1" PH SMS

STAINLESS STEEL KEEPERS #31964.92 AT VENT EACH FASTENED WITH (2) #8 X 3/4" FH SDS  
SEE CHART ON SHEET 1 FOR QUANTITIES

**HINGES:**

4 BAR ST/ST HINGES #35.12.00.400 BY 'TRUTH' LOCATED AT TOP AND BOTTOM CORNERS, FASTENED TO FRAME WITH (2) #10 X 3/4" PH SMS  
VENT WITH (2) #10 X 3/4" PH SMS

**OPERATOR:**

SINGLE ARM ROTO OPERATOR #52.13.012 BY 'TRUTH' LOCATED AT SILL END  
FASTENED WITH (6) #10 X 1" FH SMS  
OPERATOR TRACK #30175 AT BOTTOM RAIL FASTENED WITH (2) #10 X 1" P PH SMS

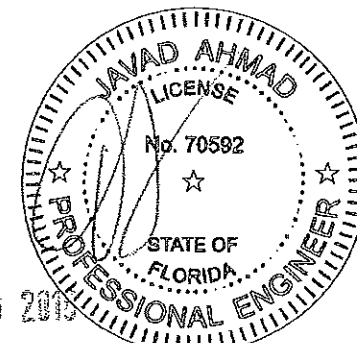
**ANTI-SAG SKATES:**

VINYL ANTI-SAG SKATES BY 'M&M PLASTICS' (2) AT LOCK STILE AT 6-3/4" FROM TOP/BOTTOM RAILS  
(1) AT BOTTOM RAIL AT 4" FROM LOCK STILE  
EACH FASTENED WITH (2) #10 X 1-1/4" FH SDS.

**PRODUCT APPROVED**  
as complying with the Florida Building Code  
NOA-No. **15-0914.09**

Approval Date **06/23/2016**

By *[Signature]*  
Miami-Dade Product Control



JUN 10 2016

**AL-FAROOQ CORPORATION**  
ENGINEERS & PRODUCT DEVELOPMENT  
9360 SUNSET DRIVE, SUITE 220  
MIAMI, FLORIDA 33173 (C.A.N. 3538)  
TEL. (305) 264-8100 FAX. (305) 262-8978  
COMP-ANL W15-13ECO

S-500 ALUM OUTSWING CASEMENT WDW. (S.M.I.)  
**ECO WINDOW SYSTEMS, LLC.**  
9114 N.W. 106 STREET  
MEDLEY, FL. 33178  
TEL. (305) 885-5299 FAX (305) 885-5902

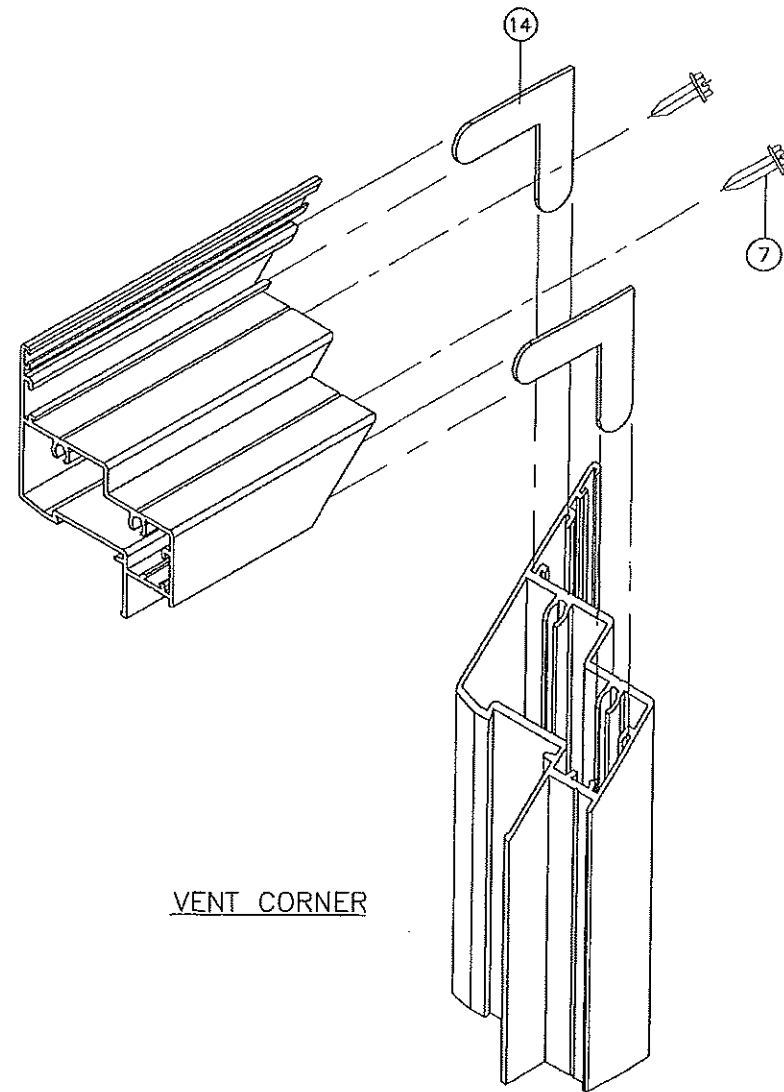
REVISIONS:

NO.	DATE	BY	DESCRIPTION
A	06.10.16		REV. PER RER COMMENTS

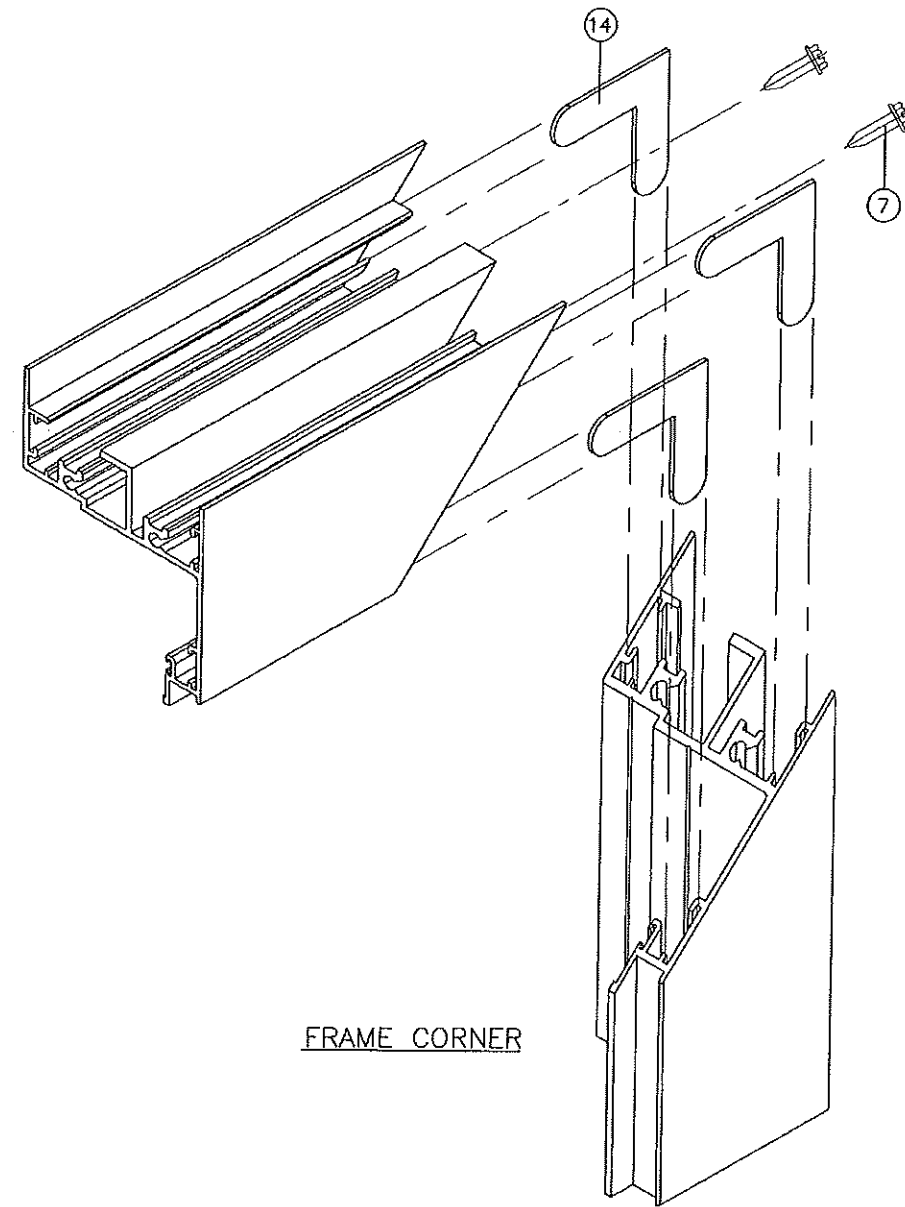
date: 03-27-15  
scale: 1/2" = 1"  
dr. by: HAMID  
chk. by:

drawing no. **W15-13**  
sheet 5 of 6




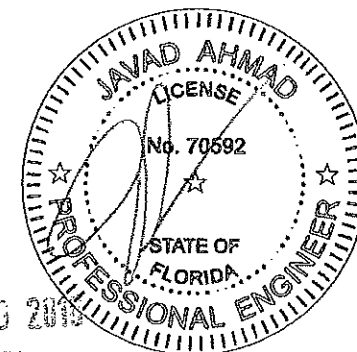


VENT CORNER




FRAME CORNER

**PRODUCT APPROVED**  
 as complying with the Florida  
 Building Code  
 NOA-No. **15-0914.09**  
 Approval Date **06/23/2016**  
 By   
 Miami-Dade Product Control



JUN 10 2016

 <b>AL-FAROOQ CORPORATION</b> ENGINEERS & PRODUCT DEVELOPMENT 9360 SUNSET DRIVE, SUITE 220 (C.A.#. 3538) MIAMI, FLORIDA 33173 TEL. (305) 264-9100 FAX. (305) 262-6978 COMP-ANL\W15-13ECO																				
S-500 ALUM OUTSWING CASEMENT WDW. (S.M.I.) <b>ECO WINDOW SYSTEMS, LLC.</b> 9114 N.W. 106 STREET MEDLEY, FL. 33178 TEL. (305) 885-5299 FAX (305) 885-5902																				
revisions: <table border="1" style="width: 100%; border-collapse: collapse;"> <thead> <tr> <th style="width: 10%;">no</th> <th style="width: 10%;">date</th> <th style="width: 80%;">description</th> </tr> </thead> <tbody> <tr> <td>A</td> <td>06.10.16</td> <td>NO CHANGE THIS SHEET</td> </tr> <tr> <td> </td> <td> </td> <td> </td> </tr> <tr> <td> </td> <td> </td> <td> </td> </tr> <tr> <td> </td> <td> </td> <td> </td> </tr> </tbody> </table>	no	date	description	A	06.10.16	NO CHANGE THIS SHEET										<table border="1" style="width: 100%; border-collapse: collapse;"> <tr> <td style="width: 20%;">date: 05-27-15</td> <td style="width: 20%;">scale: 1/2" = 1"</td> <td style="width: 20%;">dr. by: HAMID</td> <td style="width: 40%;">chk. by:</td> </tr> </table>	date: 05-27-15	scale: 1/2" = 1"	dr. by: HAMID	chk. by:
no	date	description																		
A	06.10.16	NO CHANGE THIS SHEET																		
date: 05-27-15	scale: 1/2" = 1"	dr. by: HAMID	chk. by:																	
drawing no. <b>W15-13</b> sheet 6 of 6																				