



DEPARTMENT OF REGULATORY AND ECONOMIC RESOURCES (RER)  
 BOARD AND CODE ADMINISTRATION DIVISION  
**NOTICE OF ACCEPTANCE (NOA)**

**ECO Windows Systems, LLC**  
**9114 N. W. 106<sup>th</sup> Street,**  
**Medley, FL 33178**

**SCOPE:**

This NOA is being issued under the applicable rules and regulations governing the use of construction materials. The documentation submitted has been reviewed and accepted by Miami-Dade County RER -Product Control Section to be used in Miami Dade County and other areas where allowed by the Authority Having Jurisdiction (AHJ).

This NOA shall not be valid after the expiration date stated below. The Miami-Dade County Product Control Section (In Miami Dade County) and/or the AHJ (in areas other than Miami Dade County) reserve the right to have this product or material tested for quality assurance purposes. If this product or material fails to perform in the accepted manner, the manufacturer will incur the expense of such testing and the AHJ may immediately revoke, modify, or suspend the use of such product or material within their jurisdiction. RER reserves the right to revoke this acceptance, if it is determined by Miami-Dade County Product Control Section that this product or material fails to meet the requirements of the applicable building code.

This product is approved as described herein, and has been designed to comply with the Florida Building Code, including the High Velocity Hurricane Zone.

**DESCRIPTION: Series "600" Aluminum Single Outswing doors w/wo Sidelite-S.M.I.**

**APPROVAL DOCUMENT:** Drawing No. **W15-68 REV A**, titled "Series 600 Alum Outswing Entrance Door (S.M.I.)", sheets 1 through 9 of 9, prepared by Al-Farooq Corporation, dated MAY 10, 2016, signed and sealed by Javad Ahmad, P.E., bearing the Miami-Dade County Product Control Approval stamp with the Notice of Acceptance number and approval date by the Miami-Dade County Product Control Section.

**MISSILE IMPACT RATING: Small Missile Impact Resistant**

**Limitations:**

1. See Design Pressures for Single door or Single sidelite in sheet 2 and single door w/Sidelite in sheet 3. Max. Single door frame width = 37-7/8".

**LABELING:** Each unit shall bear a permanent label with the manufacturer's name or logo, city, state and series and following statement: "Miami-Dade County Product Control Approved", noted herein.

**RENEWAL** of this NOA shall be considered after a renewal application has been filed and there has been no change in the applicable building code negatively affecting the performance of this product.

**TERMINATION** of this NOA will occur after the expiration date or if there has been a revision or change in the materials, use, and/or manufacture of the product or process. Misuse of this NOA as an endorsement of any product, for sales, advertising or any other purposes shall automatically terminate this NOA. Failure to comply with any section of this NOA shall be cause for termination and removal of NOA.

**ADVERTISEMENT:** The NOA number preceded by the words Miami-Dade County, Florida, and followed by the expiration date may be displayed in advertising literature. If any portion of the NOA is displayed, then it shall be done in its entirety.

**INSPECTION:** A copy of this entire NOA shall be provided to the user by the manufacturer or its distributors and shall be available for inspection at the job site at the request of the Building Official.

This NOA consists of this page 1 and evidence pages E-1, as well as approval document mentioned above.

The submitted documentation was reviewed by **Ishaq I. Chanda, P.E.**



5/29/16

**NOTICE OF ACCEPTANCE: EVIDENCE SUBMITTED**

**A. DRAWINGS**

1. Manufacturer's die drawings and sections
2. Drawing No. **W15-68 REV A**, titled "Series 600 Alum Outswing Entrance Door (S.M.I.)", sheets 1 through 9 of 9, prepared by Al-Farooq Corporation, dated MAY 10, 2016, signed and sealed by Javad Ahmad, P.E.

**B. TESTS**

1. Test reports on:
  - 1) Air Infiltration Test, per FBC, TAS 202-94
  - 2) Uniform Static Air Pressure Test, Loading per FBC TAS 202-94
  - 3) Water Resistance Test, per FBC, TAS 202-94
  - 4) Small Missile Impact Test per FBC, TAS 201-94
  - 5) Cyclic Wind Pressure Loading per FBC, TAS 203-94
  - 6) Forced Entry Test, per FBC 2411 3.2.1, TAS 202-94

along with marked-up drawings and installation diagrams of Alum Single Glass door w/wo sidelite, prepared by Fenestration Testing Lab, Inc., Test Report No. **FTL-8201** dated 06/26/2015, signed and sealed by Idalmis Ortega, P. E.

**C. CALCULATIONS**

1. Anchor verification calculations and structural analysis, complying with FBC-2014 (5<sup>th</sup> Edition), prepared by Al Farooq Corporation, dated 09/28/15 and last revised on 04/21/16, signed and sealed by Javad Ahmad, P.E.
2. Glazing complies w/ ASTME-1300-02, -04 & -09.

**D. QUALITY ASSURANCE**

1. Miami Dade Department of Regulatory and Economic Resources (RER).

**E. MATERIAL CERTIFICATIONS**


1. Notice of Acceptance No. **14-0916.10** issued to **Kuraray America, Inc.** (Former E.I. DuPont DeNemours & Co., Inc.) for the "**Kurray Butacite PVB Interlayers**", expiring on 12/11/2016.

**F. STATEMENTS**

1. Statement letter of conformance to FBC 2014 (5<sup>th</sup> edition) and letter of no financial interest, prepared by Al Farooq Corporation, dated 08/24/15, signed and sealed by Javad Ahmad, P.E.
2. Lab compliance as part of the above referenced test report.

**G. OTHER**

1. Test proposal, dated 10/14/11 approved by Jaime D. Gascon, P.E.

  
\_\_\_\_\_  
Ishaq I. Chanda, P.E.  
Product Control Examiner  
NOA No. 15-0914.11  
Expiration Date: June 02, 2021  
Approval Date: June 02, 2016

**SERIES 600**  
**ALUMINUM OUTSWING ENTRANCE DOOR**

FOR SINGLE (X) DOOR AND STAND-ALONE SINGLE SIDELITE CAPACITIES SEE SHEET 2.  
 FOR SIDELITE MULLION CAPACITY SEE CHART ON SHEET 3.

LOWER VALUES FROM DOOR, SIDELITE OR MULLION CAPACITY CHARTS WILL APPLY TO ENTIRE SYSTEM.

DOORS APPROVED FOR INSTALLATIONS WHERE WATER INFILTRATION RESISTANCE IS REQUIRED.

THIS PRODUCT HAS BEEN DESIGNED AND TESTED TO COMPLY WITH THE REQUIREMENTS OF THE 2014 (5TH EDITION) FLORIDA BUILDING CODE INCLUDING HIGH VELOCITY HURRICANE ZONE (HVHZ).

1BY OR 2BY WOOD BUCKS BY OTHERS, MUST BE ANCHORED PROPERLY TO TRANSFER LOADS TO THE STRUCTURE.

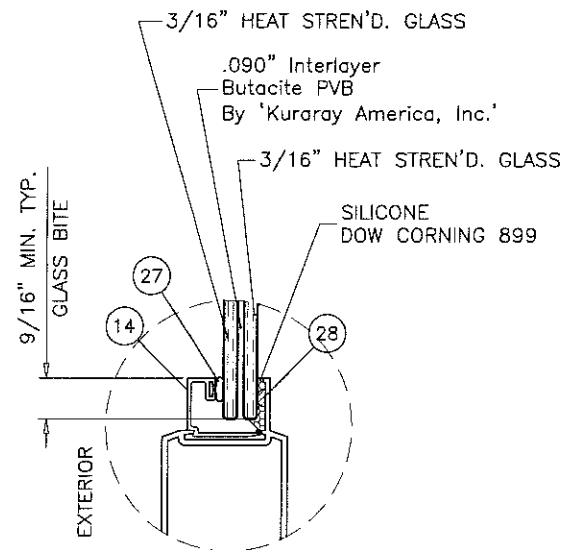
ANCHORS SHALL BE AS LISTED, SPACED AS SHOWN ON DETAILS, ANCHORS EMBEDMENT TO BASE MATERIAL SHALL BE BEYOND WALL DRESSING OR STUCCO.

ANCHORING OR LOADING CONDITIONS NOT SHOWN IN THESE DETAILS ARE NOT PART OF THIS APPROVAL.

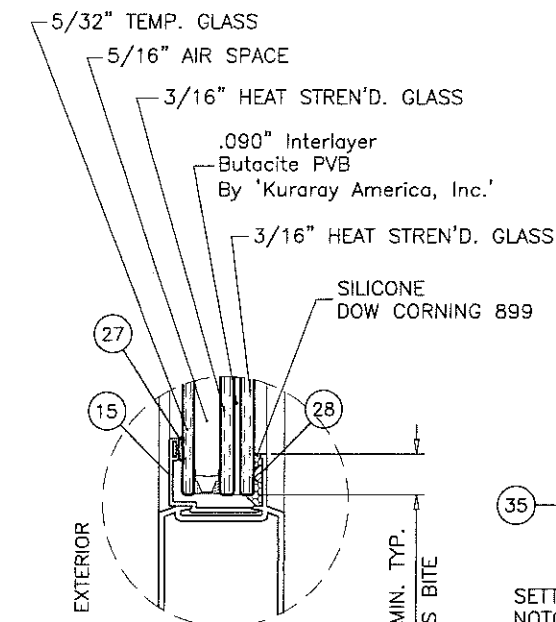
A LOAD DURATION INCREASE IS USED IN DESIGN OF ANCHORS INTO WOOD ONLY.

MATERIALS INCLUDING BUT NOT LIMITED TO STEEL/METAL SCREWS, THAT COME INTO CONTACT WITH OTHER DISSIMILAR MATERIALS SHALL MEET THE REQUIREMENTS OF THE 2014 FLORIDA BUILDING CODE.

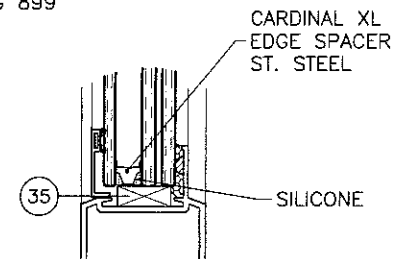
THESE DOORS ARE RATED FOR SMALL MISSILE IMPACT.  
 MIAMI-DADE COUNTY APPROVED IMPACT RESISTANT SHUTTERS REQUIRED FOR INSTALLATIONS UP TO 30 FT. OF GRADE.  
 SHUTTERS NOT REQD. FOR INSTALLATIONS ABOVE 30 FT. OF GRADE.



**GLASS TYPE 'G2'**  
 7/16" NOM. LAM. GLASS

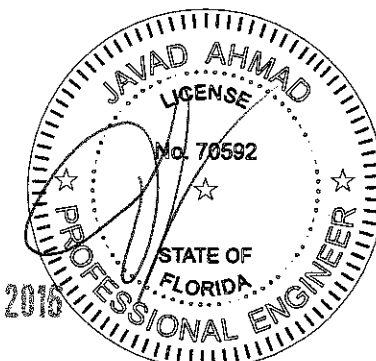


**GLASS TYPE 'G3'**  
 15/16" NOM. INSUL. LAM. GLASS



SETTING BLOCKS AT INSUL. LAM. GLASS NOTCH  
 GLAZING BEAD LEG TO CLEAR BLOCKS

Approved as complying with the Florida Building Code  
 Date JUNE 02, 2016  
 NOA# 15-0914.11  
 Miami Dade Product Control  
 By Shag I. Chande



MAY 10 2016

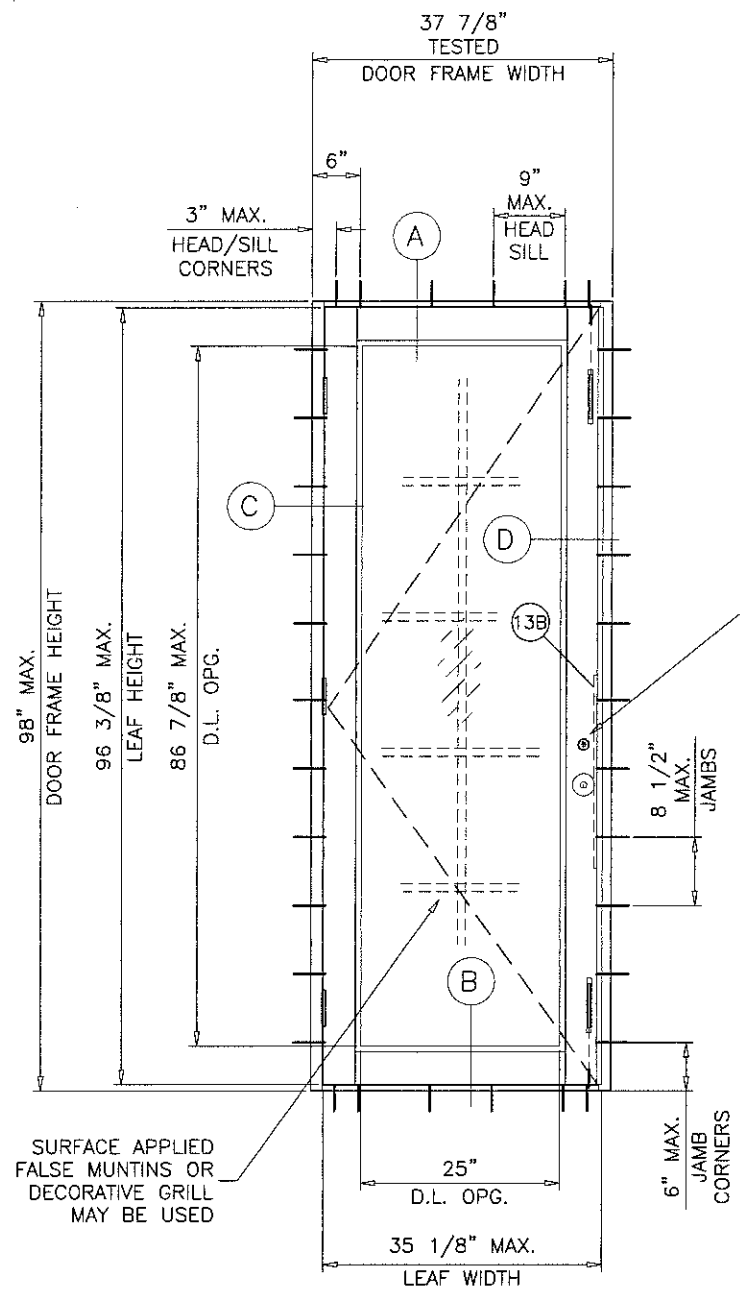
**af c**  
**AL-FAROOQ CORPORATION**  
 ENGINEERS & PRODUCT DEVELOPMENT  
 9360 SUNSET DRIVE, SUITE 220  
 MIAMI, FLORIDA 33173 (C.A.N. 3538)  
 TEL. (305) 264-8100 FAX. (305) 262-6978  
 COMP-ANL W15-68ECO

SERIES 600 ALUM OUTSWING ENTRANCE DOOR (S.M.I.)  
**ECO WINDOW SYSTEMS, LLC.**  
 9114 N.W. 106 STREET  
 MEDLEY, FL. 33178  
 TEL. (305) 885-5299 FAX (305) 885-5902

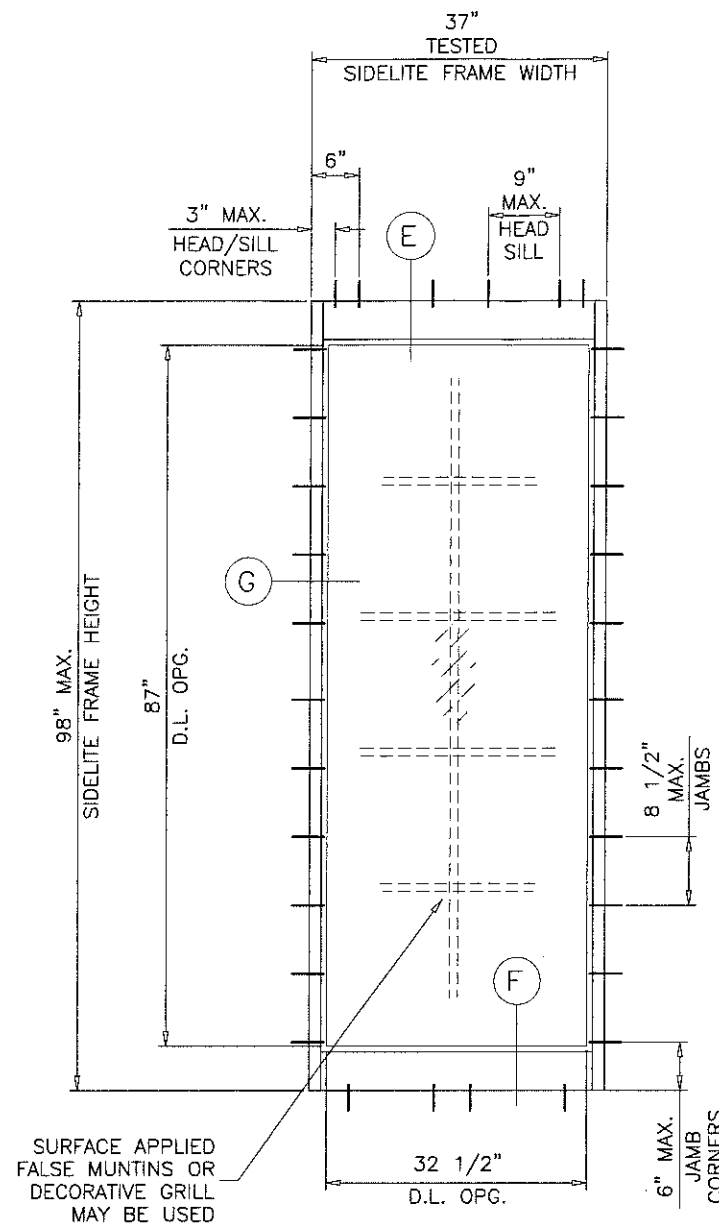
no	date	by	description
A	04.29.16		REV. PER RER COMMENTS

revisions:  
 date: 09-09-15  
 scale: 3/8" = 1"  
 dr. by: TARIQ  
 chk. by:

drawing no.  
**W15-68**  
 sheet 1 of 9



(X)



(O)

SINGLE DOORS (X) LOAD CAPACITY - PSF				
DOOR DIMS.			GLASS TYPES 'G2' & 'G3'	
FRAME WIDTH	LEAF WIDTH	FRAME HEIGHT	EXT.(+)	INT.(-)
37-7/8"	35-1/8"	98"	70.0	135.0

GLASS D.L.O. DIMS.

D.L.O. HEIGHT (DOOR) = FRAME HEIGHT - 11.125"  
D.L.O. WIDTH (DOOR) = FRAME WIDTH - 12.875"

NOTE:  
EGRESS REQUIREMENTS TO BE REVIEWED  
BY BUILDING OFFICIAL.

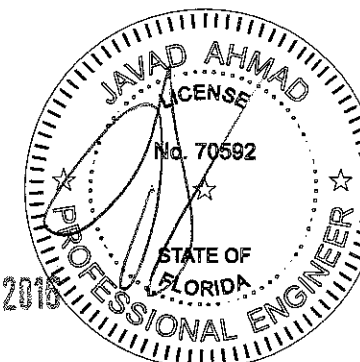
SINGLE SIDELITE (O) LOAD CAPACITY - PSF			
SIDELITE DIMS.		GLASS TYPES 'G2' & 'G3'	
FRAME WIDTH	FRAME HEIGHT	EXT.(+)	INT.(-)
37"	98"	70.0	135.0
42"	86"	61.7	114.5

GLASS D.L.O. DIMS.

D.L.O. HEIGHT (SIDELITE) = FRAME HEIGHT - 11.0"  
D.L.O. WIDTH (SIDELITE) = FRAME WIDTH - 4.50"

NOTE:  
GLASS CAPACITIES ON THIS SHEET ARE  
BASED ON ASTM E1300-09 (3 SEC. GUSTS)  
AND FLORIDA BUILDING COMMISSION  
DECLARATORY STATEMENT DCA05-DEC-219

Approved as complying with the  
Florida Building Code  
Date 6/2/16  
NOAH# 15-0914.11  
Miami Dade Product Control  
By Shag J. Chaudhry



MAY 10 2016

**afc**  
**AL-FAROOQ CORPORATION**  
ENGINEERS & PRODUCT DEVELOPMENT  
9360 SUNSET DRIVE, SUITE 220  
MIAMI, FLORIDA 33173 (C.A.N. 3538)  
TEL. (305) 264-8100 FAX. (305) 262-6978  
COMP-ANL\W15-68ECO

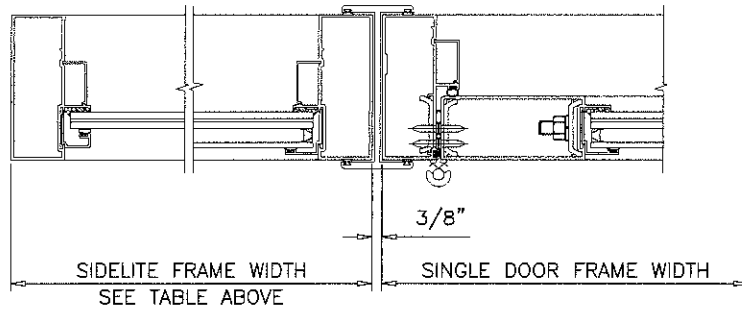
SERIES 600 ALUM OUTSWING ENTRANCE DOOR (S.M.I.)  
**ECO WINDOW SYSTEMS, LLC.**  
9114 N.W. 106 STREET  
MEDLEY, FL. 33178  
TEL. (305) 885-5299 FAX (305) 885-5902

no	date	description
A	04.29.16	REV. PER RER COMMENTS

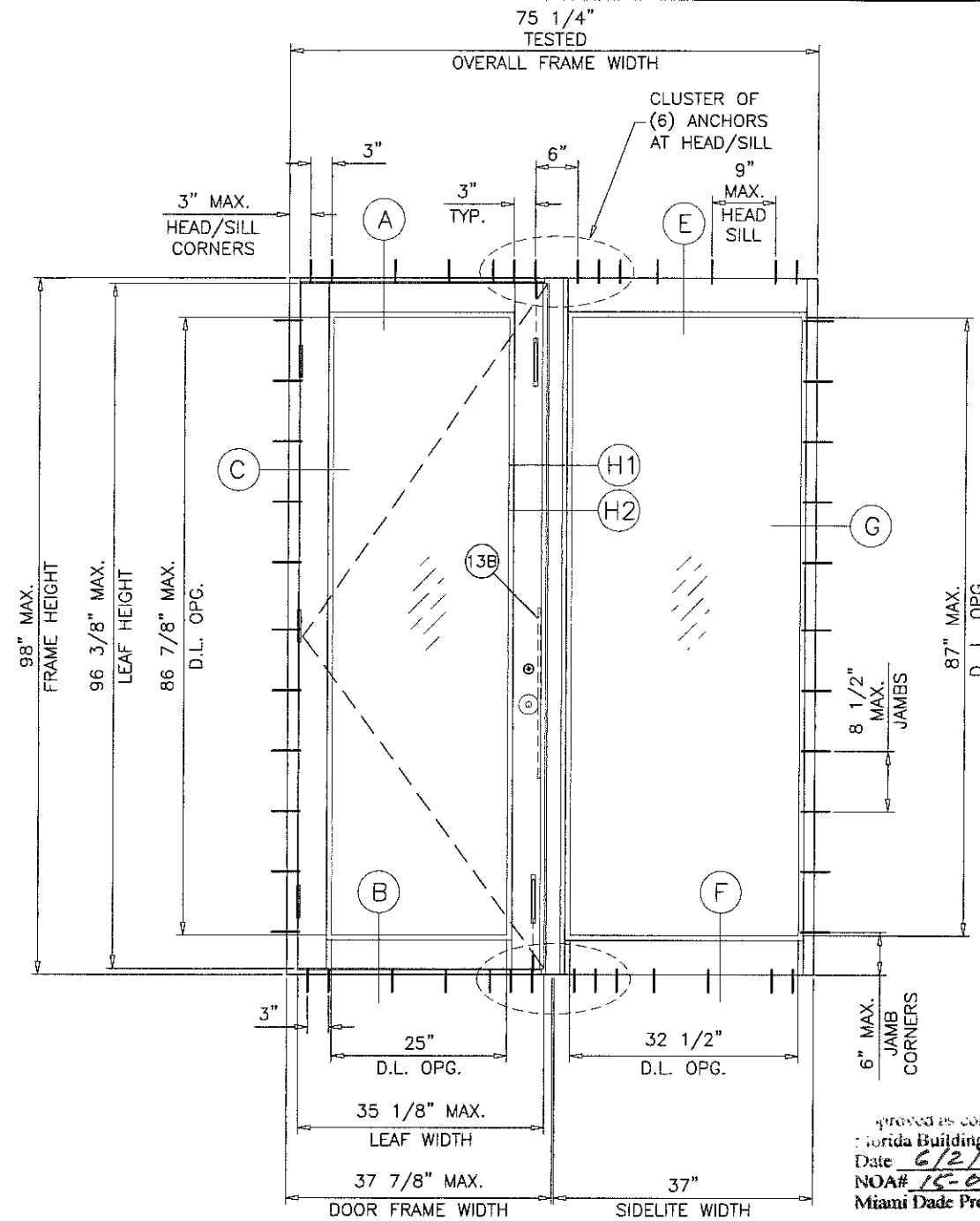
date: 09-09-15  
scale: 1/2"=1'-0"  
dr. by: TARIQ  
chk. by:

drawing no.  
**W15-68**  
sheet 2 of 9

SIDELITE MULLED WITH SINGLE LEAF DOOR			
SINGLE SIDELITE FRAME WIDTH INCHES	SIDELITE FRAME HEIGHT INCHES	DESIGN LOAD CAPACITY - PSF	
		EXT.(+)	INT.(-)
24	82	70.0	135.0
30		70.0	135.0
36		70.0	135.0
42		61.7	114.5
24	86	70.0	135.0
30		70.0	135.0
36		70.0	135.0
42		61.7	114.5
24	92	70.0	135.0
30		70.0	135.0
36		70.0	135.0
24	98	70.0	135.0
30		70.0	135.0
36		70.0	135.0



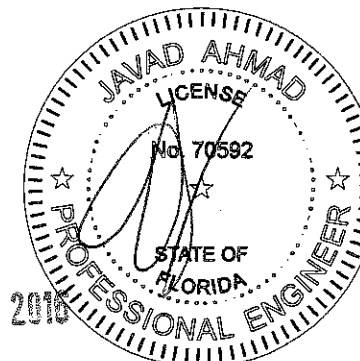
NOTE:  
FOR DOOR AND SIDELITE CAPACITIES SEE SHEET 2.  
FOR SIDELITE MULLION CAPACITY SEE CHART ABOVE.  
LOWER VALUES FROM DOOR, SIDELITE OR MULLION CHART WILL APPLY TO ENTIRE SYSTEM.



Approved as complying with the  
Florida Building Code  
Date 6/2/16  
NOA# 15-0914-11  
Miami Dade Product Control  
By *Islam J. Chark*

MAX. UNIT TESTED FRAME AREA NOT TO EXCEED 51.2 SQ. FT. PER FBC 2014

NOTE:  
GLASS CAPACITIES ON THIS SHEET ARE  
BASED ON ASTM E1300-09 (3 SEC. GUSTS)  
AND FLORIDA BUILDING COMMISSION  
DECLARATORY STATEMENT DCA05-DEC-219



MAY 10 2016

**afc**  
**AL-FAROOQ CORPORATION**  
ENGINEERS & PRODUCT DEVELOPMENT  
9360 SUNSET DRIVE, SUITE 220  
MIAMI, FLORIDA 33173 (C.A.N. 3538)  
TEL. (305) 262-6978 FAX. (305) 262-6978  
COMP-ANL\W15-68ECO

SERIES 600 ALUM OUTSWING ENTRANCE DOOR (S.M.I.)  
**ECO WINDOW SYSTEMS, LLC.**  
9114 N.W. 106 STREET  
MEDLEY, FL. 33178  
TEL. (305) 885-5299 FAX (305) 885-5902

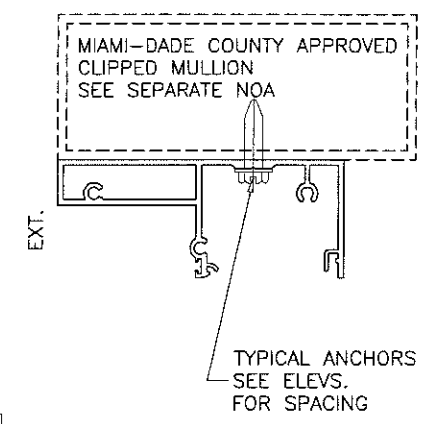
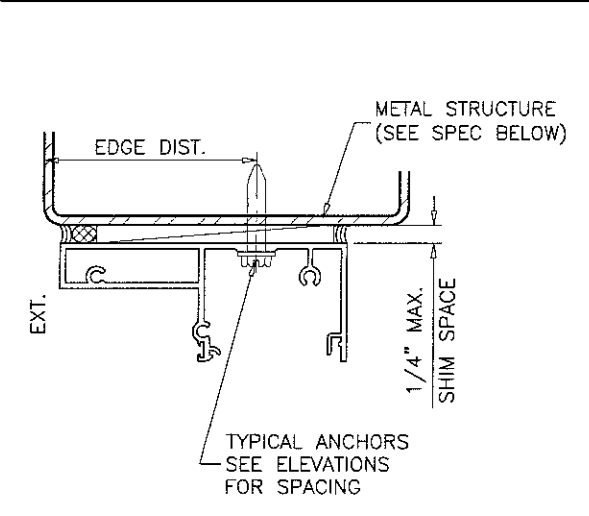
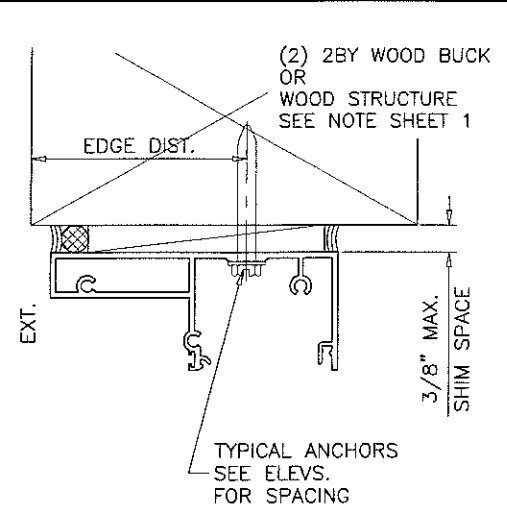
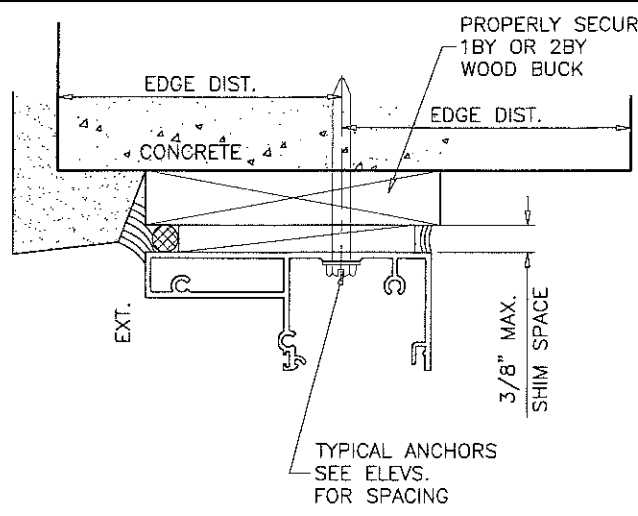
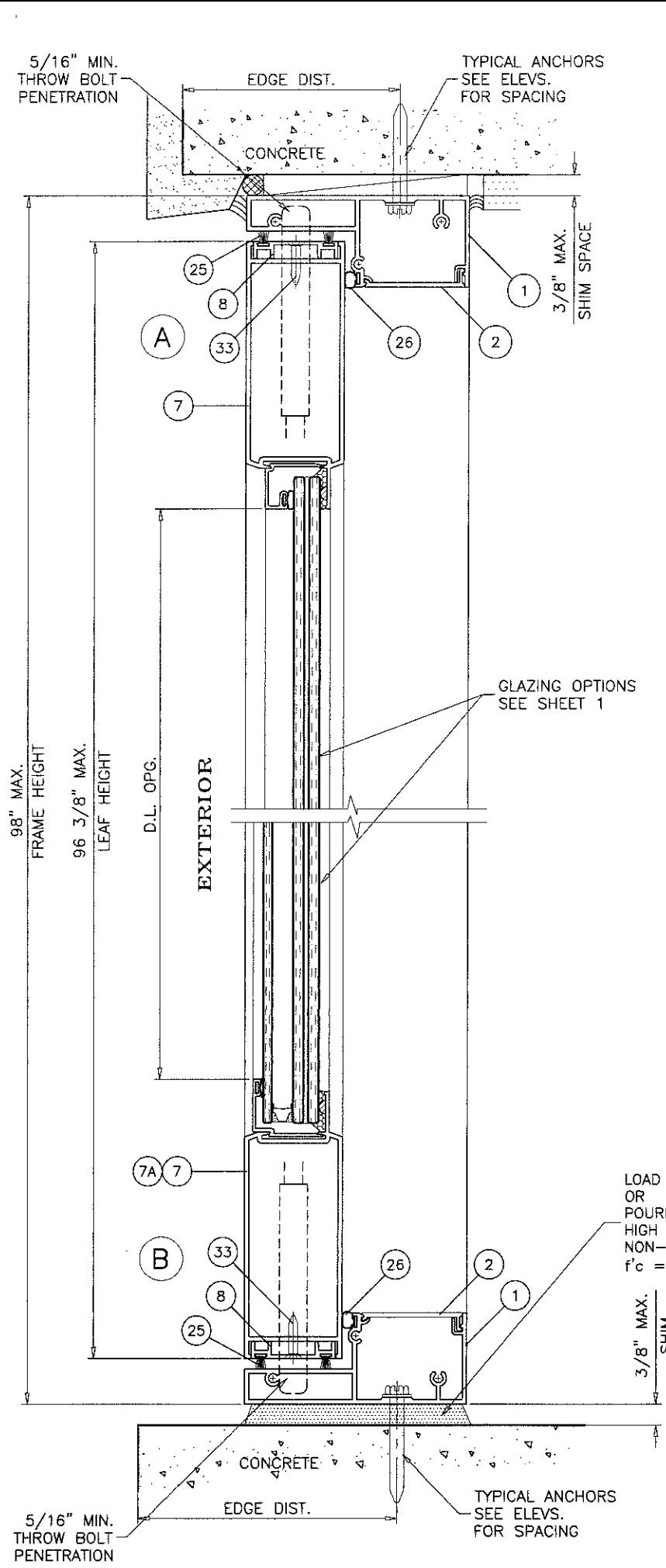
revisions:	no	date	description	by
	A	04.29.16	REV. PER RER COMMENTS	

date: 09-09-15	scale: 1/2"=1'-0"	dr. by: FARIQ	chk. by:
----------------	-------------------	---------------	----------

drawing no.	W15-68
sheet	3 of 9



1BY OR 2BY WOOD BUCKS AND METAL STRUCTURE NOT BY ECO WINDOWS MUST SUSTAIN LOADS IMPOSED BY GLAZING SYSTEM AND TRANSFER THEM TO THE BUILDING STRUCTURE.

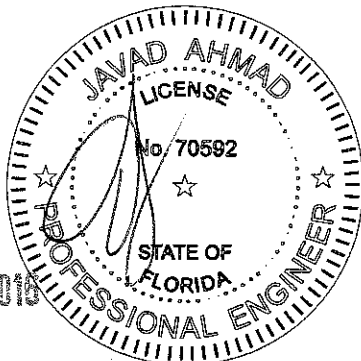
**TYPICAL ANCHORS:** SEE ELEV. FOR SPACING  
**5/16" DIA. ULTRACON BY 'ELCO'** (Fu=177 KSI, Fy=155 KSI)  
 INTO WOOD BUCKS OR WOOD STRUCTURES  
 1-7/8" MIN. PENETRATION INTO WOOD (HEAD/JAMBS)  
 THRU 1BY OR 2BY BUCKS INTO CONC. OR MASONRY  
 1-1/4" MIN. EMBED INTO CONCRETE (HEAD)  
 1-1/4" MIN. EMBED INTO CONC. OR MASONRY (JAMBS)  
 DIRECTLY INTO CONC. OR MASONRY  
 1-1/4" MIN. EMBED INTO CONCRETE (HEAD/SILL)  
 1-1/4" MIN. EMBED INTO CONC. OR MASONRY (JAMBS)

**#14 SMS OR SELF DRILLING SCREWS** (GRADE 2 CRS)  
 INTO MIAMI-DADE COUNTY APPROVED MULLIONS (MIN. THK. = 1/8")  
 INTO METAL STRUCTURES  
 STEEL : 1/8" THK. MIN. (Fy = 36 KSI MIN.)  
 ALUMINUM : 1/8" THK. MIN. (6063-T5 MIN.)  
 (STEEL IN CONTACT WITH ALUMINUM TO BE PLATED OR PAINTED)

**TYPICAL EDGE DISTANCE**  
 INTO CONCRETE AND MASONRY = 2-1/2" MIN.  
 INTO WOOD STRUCTURE = 1-1/4" MIN.  
 INTO METAL STRUCTURE = 3/4" MIN.

WOOD AT HEAD OR JAMBS SG = 0.55 MIN.  
 CONCRETE AT HEAD, SILL OR JAMBS f'c = 3000 PSI MIN.  
 C-90 GROUT FILLED BLOCK AT JAMBS f'm = 2000 PSI MIN.

Approved as complying with the  
 Florida Building Code  
 Date 6/2/16  
 NOA# 15-0914-11  
 Miami Dade Product Control  
 By *Shag J. Charles*



MAY 10 2016

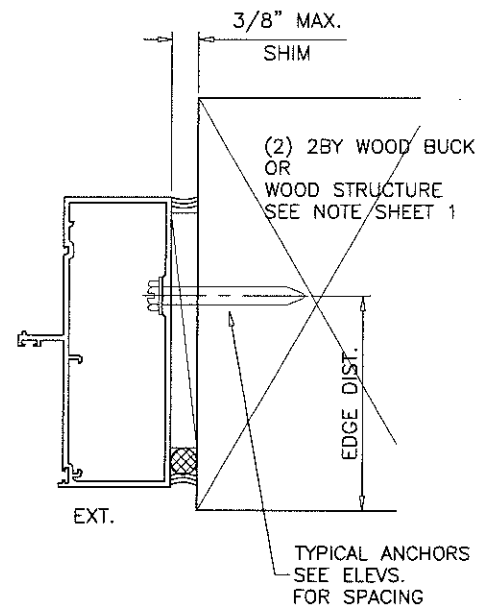
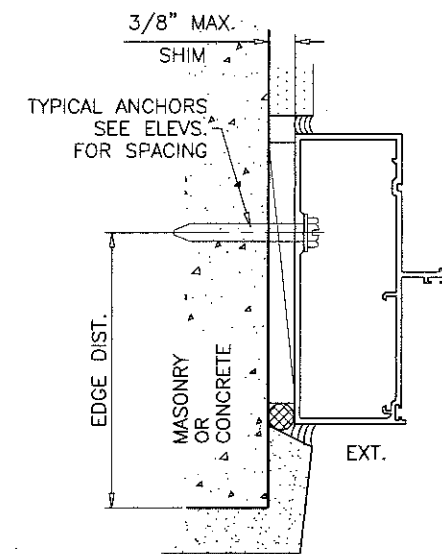
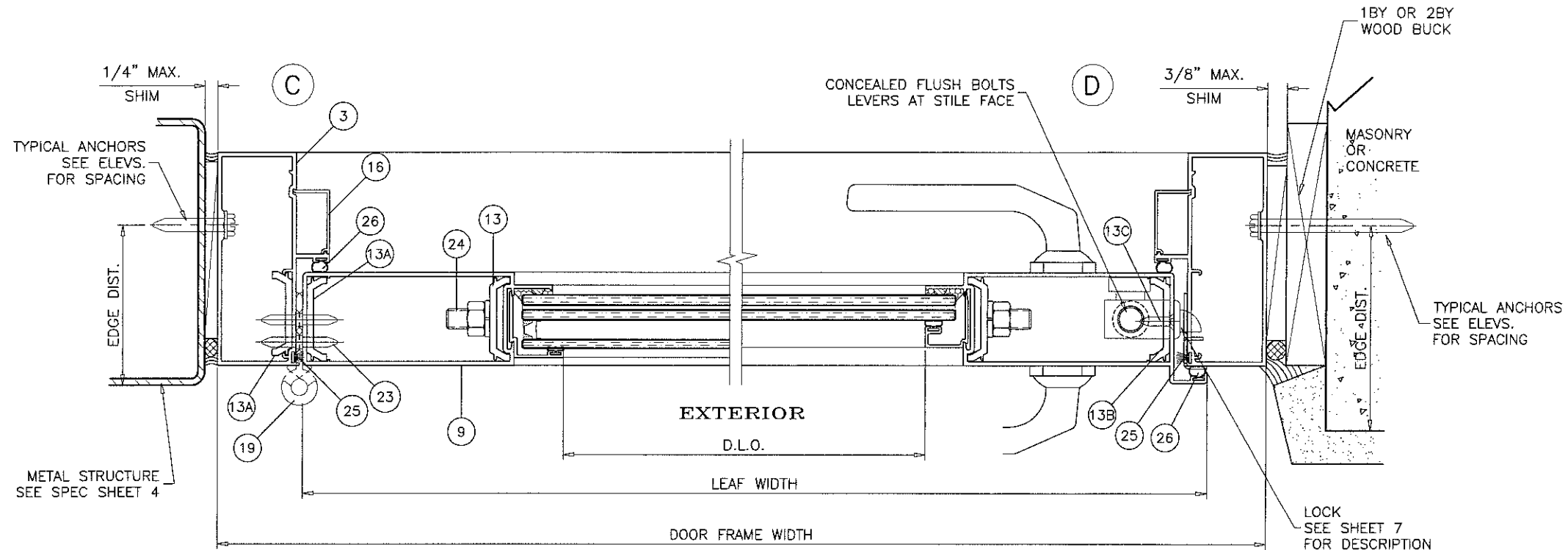
**af c**  
**AL-FAROOQ CORPORATION**  
 ENGINEERS & PRODUCT DEVELOPMENT  
 9360 SUNSET DRIVE, SUITE 220  
 MIAMI, FLORIDA 33173 (C.A.N. 3538)  
 TEL. (305) 264-8100 FAX. (305) 262-6978  
 COMP-ANL W15-68ECO

SERIES 600 ALUM OUTSWING ENTRANCE DOOR (S.M.I.)  
**ECO WINDOW SYSTEMS, LLC.**  
 9114 N.W. 106 STREET  
 MEDLEY, FL. 33178  
 TEL. (305) 885-5299 FAX (305) 885-5902

no	date	description	by
A	04.29.16	REV. PER COMMENTS	

date: 09-09-15  
 scale: 3/8" = 1"  
 dr. by: TARIQ  
 chk. by:

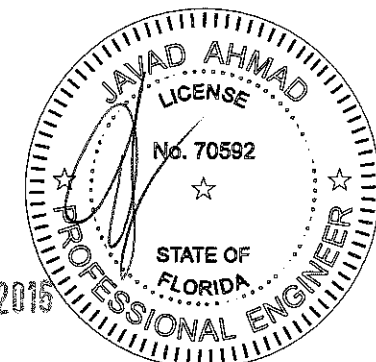
drawing no.  
**W15-68**  
 sheet 4 of 9



approved as complying with the  
 Florida Building Code  
 Date 6/2/16  
 NOA# 15-0914-11  
 Miami Dade Product Control  
 By Isheq I. Chank

**DOOR DETAILS**

MAY 10 2015



**af c**  
**AL-FAROOQ CORPORATION**  
 ENGINEERS & PRODUCT DEVELOPMENT  
 9360 SUNSET DRIVE, SUITE 220  
 MIAMI, FLORIDA 33173 (C.A.N. 3538)  
 TEL. (305) 264-8100 FAX. (305) 262-6978  
 COMP -ANL\W15-68ECO

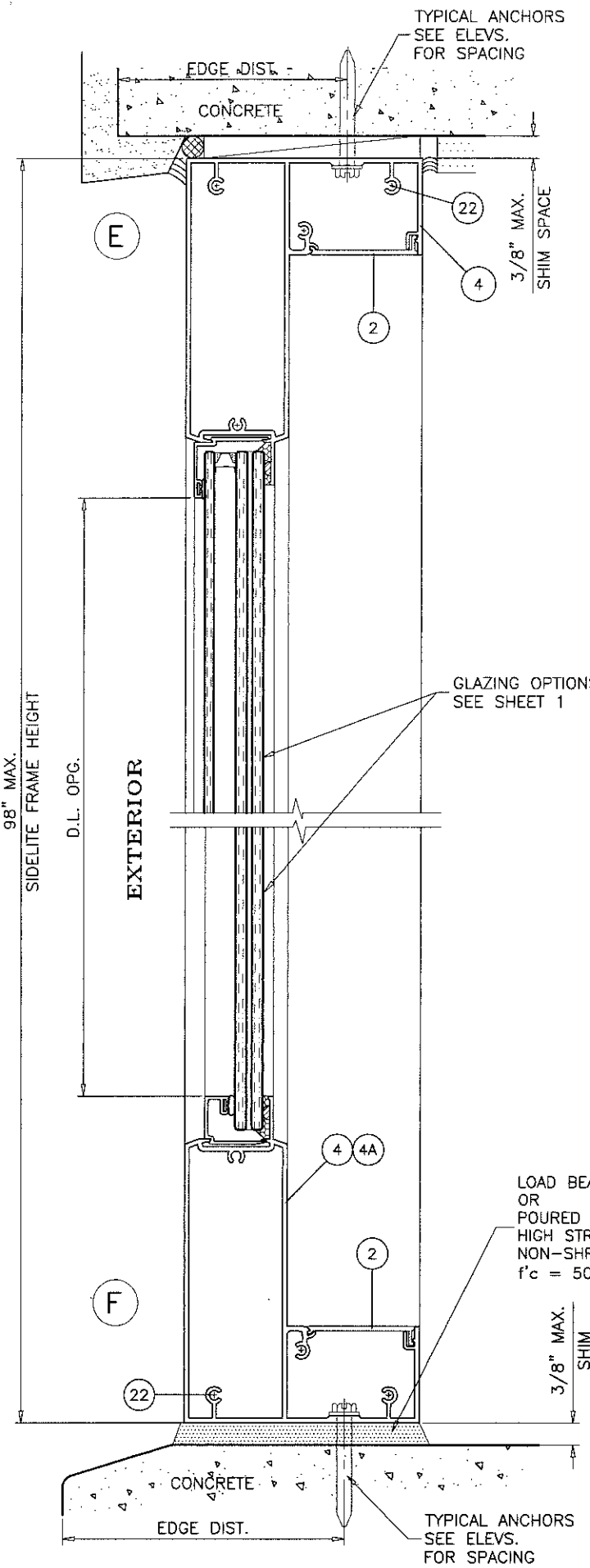
SERIES 600 ALUM OUTSWING ENTRANCE DOOR (S.M.I.)  
**ECO WINDOW SYSTEMS, LLC.**  
 9114 N.W. 106 STREET  
 MEDLEY, FL. 33178  
 TEL. (305) 885-5299 FAX (305) 885-5902

revisions:

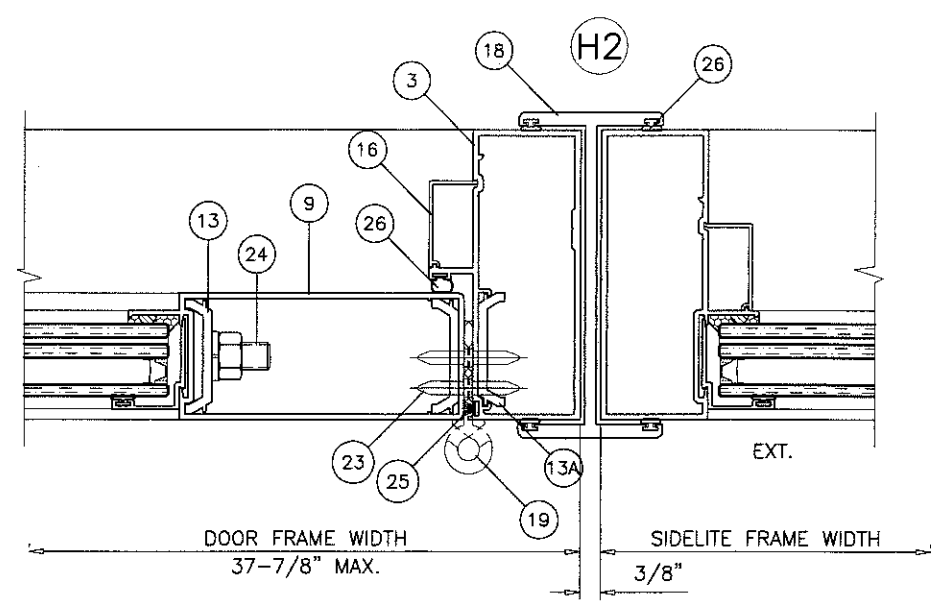
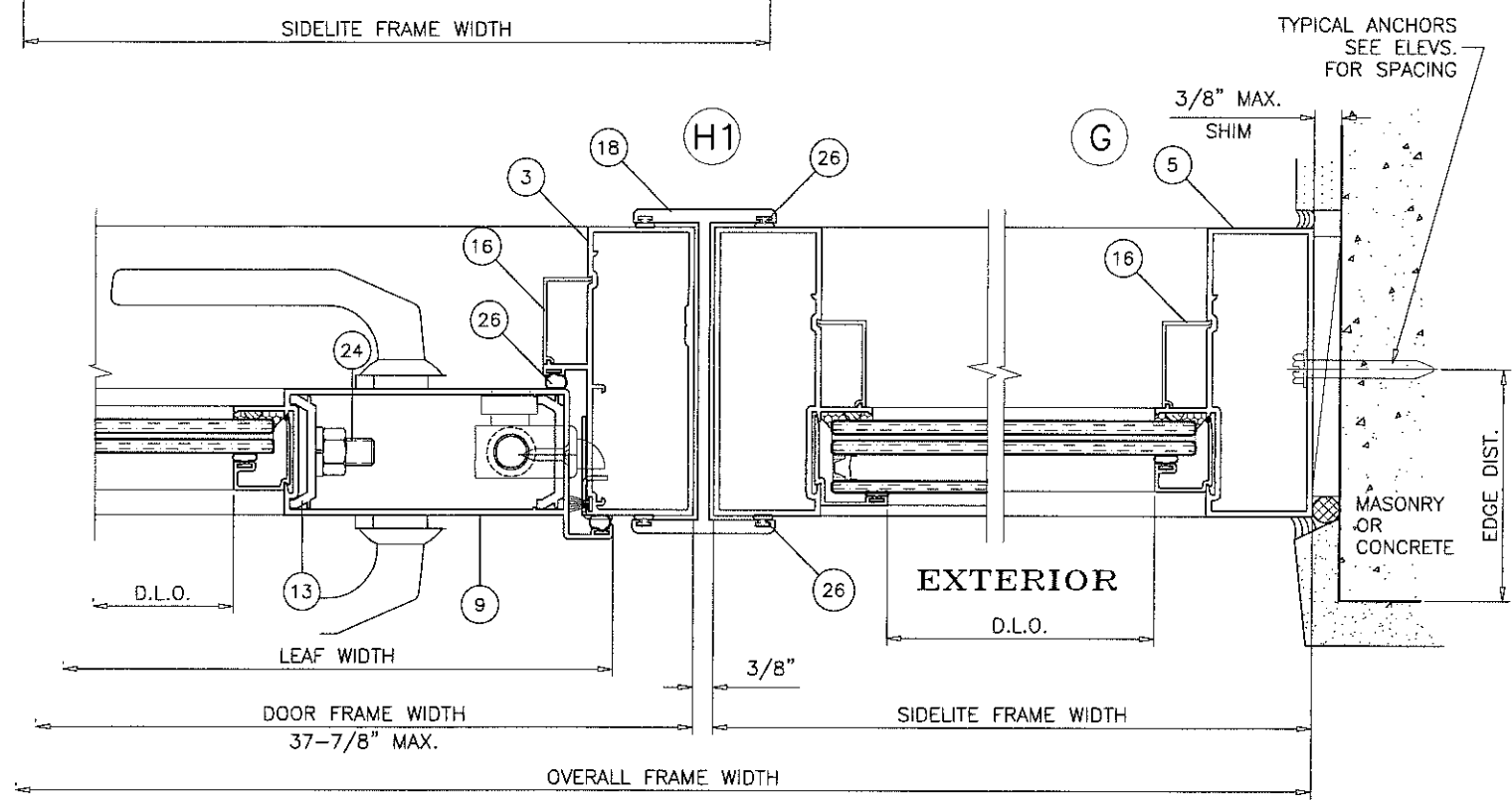
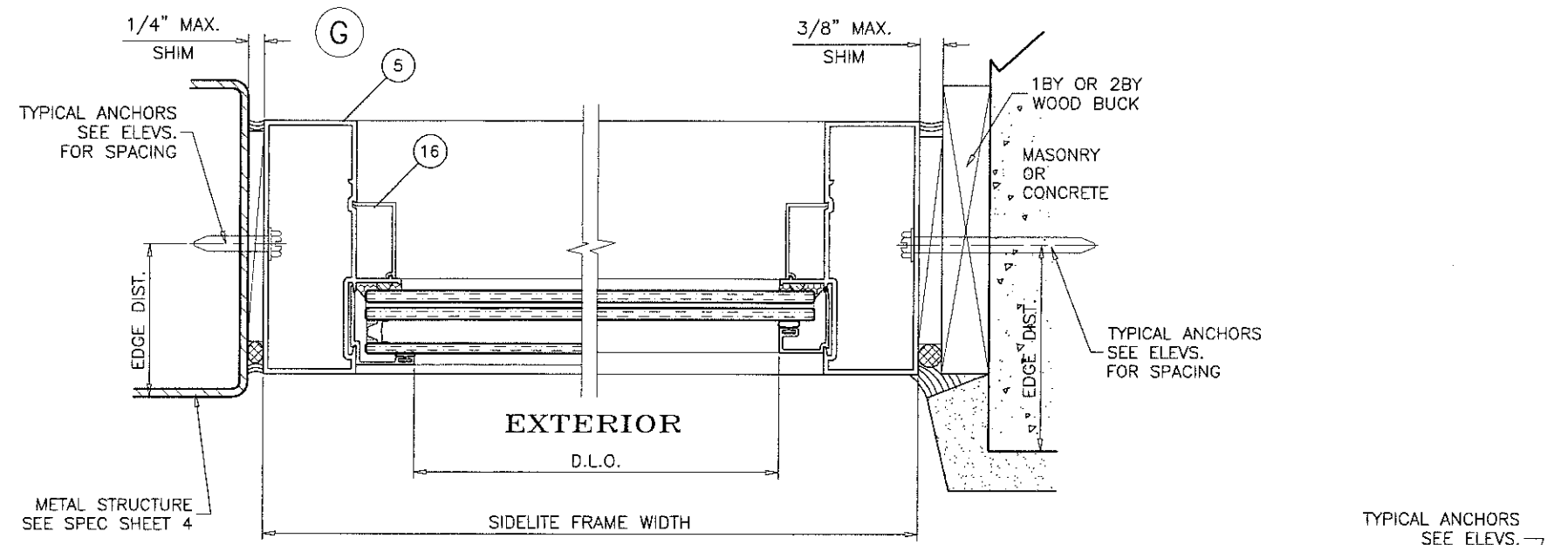
no	date	description
A	04.29.16	by description REV. PER PER COMMENTS

date: 09-09-15  
 scale: 3/8" = 1"  
 dr. by: TARIQ  
 chk. by:

drawing no.  
**W15-68**  
 sheet 5 of 9

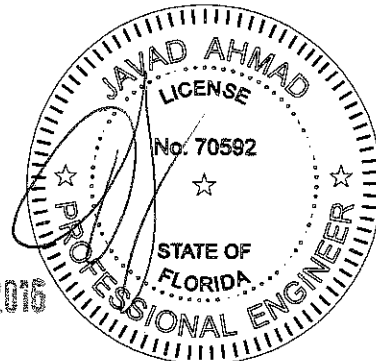


**SINGLE SIDELITE**



Approved as complying with the  
 Florida Building Code  
 Date 6/2/16  
 NOA# 15-0914.11  
 Miami Dade Product Control  
 By Ishtiaq I. Chaudhry

**SIDELITE DETAILS**



MAY 10 2016

**af c**  
**AL-FAROOQ CORPORATION**  
 ENGINEERS & PRODUCT DEVELOPMENT  
 9360 SUNSET DRIVE, SUITE 220  
 MIAMI, FLORIDA 33173  
 TEL. (305) 264-8100 FAX. (305) 262-6978  
 COMP-ANL/W15-68ECO

SERIES 600 ALUM OUTSWING ENTRANCE DOOR (S.M.I.)  
**ECO WINDOW SYSTEMS, LLC.**  
 9114 N.W. 106 STREET  
 MEDLEY, FL. 33178  
 TEL. (305) 885-5299 FAX (305) 885-5902

Revisions:	
no.	description
A	04.29.16

date:	09-09-15
scale:	3/8" = 1"
dr. by:	TARIQ
chk. by:	

drawing no.	W15-68
sheet	6 of 9



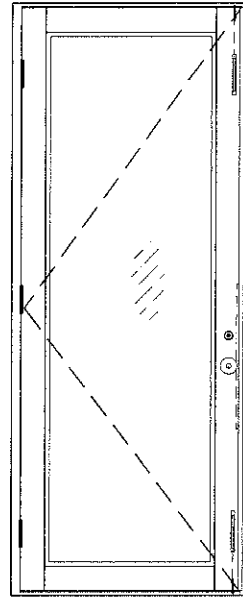
**LOCK:**

CONVENTIONAL DOOR LOCKSET WITH HANDLE BY 'SCHLAGE' OR 'KWIKSET' LOCATED AT 38" FROM BOTTOM KEY OPERATED ON EXTERIOR AND THUMB TURN ON INTERIOR FASTENED TO LOCK STILE WITH  
 (2) #8 X 3/4" FH MULTI THREAD SCREWS  
 (2) 8-32 X 11/16" PH MS

SURFACE MOUNT METALLIC DEAD BOLT LOCK BY 'SCHLAGE' OR 'KWIKSET' LOCATED AT 43-1/2" FROM BOTTOM KEY OPERATED ON EXTERIOR AND THUMB TURN ON INTERIOR FASTENED TO LOCK STILE WITH  
 (2) #8 X 3/4" FH MULTI THREAD SCREWS  
 (2) 1/4-28 X 2-1/4" OH MS

FLUSH MOUNT METALLIC STRIKE PLATES FACING LOCKS AT 39" AND 44-1/2" FROM BOTTOM EACH PLATE FASTENED TO FRAME JAMB WITH  
 (2) #10 X 5/8" FH SMS

CONCEALED FLUSH BOLTS BY 'SULLIVAN & ASSOC.' 1/2" X 2" THROW BOLTS ENGAGING FRAME AT HEAD AND SILL MANUALLY OPERATED LEVERS MOUNTED ON STILE FACE LOCATED AT 10-1/2" FROM TOP AND BOTTOM FASTENED TO LOCK STILE WITH  
 (2) #8-32 X 1/2" FH MS



**HINGES:**

3-1/2" X 7-5/8" X .122" THK. EXTRUDED ALUM HINGE PART #FD-107 BY SULLIVAN & ASSOC.  
 3 HINGES PER LEAF  
 BOTTOM HINGE AT 10-1/4" FROM BOTTOM  
 TOP HINGE AT 11-3/4" FROM TOP  
 CENTER HINGE AT MIDSPAN (38" O.C. MAX.)  
 HINGES FASTENED WITH #10 X 1" FH SMS  
 (5) SCREWS AT HINGE STILE  
 (6) SCREWS AT FRAME JAMB

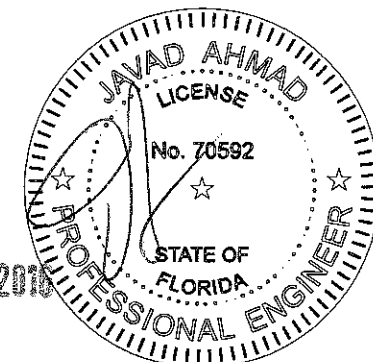
**SEALANTS:**

ALL JOINTS AND FRAME CONNECTIONS SEALED WITH SCHNEE MOREHEAD JM5504 SEALANT.

ITEM #	PART #	REQD.	DESCRIPTION	MATERIAL	MANF./SUPPLIER/REMARKS
1	E601	-	DOOR FRAME HEAD/SILL	6063-T6	-
2	E602	-	FRAME COVER	6063-T6	-
3	E603	-	DOOR FRAME JAMB	6063-T6	-
4	E604	-	SIDELITE TOP & BOTTOM FRAME	6063-T6	-
4A	E626	-	SIDELITE 9" BOTTOM FRAME	6063-T6	-
5	E605	-	SIDELITE FRAME JAMB	6063-T6	-
7	E607	-	LEAF TOP & BOTTOM RAIL	6063-T6	-
7A	E625	-	LEAF 9" BOTTOM RAIL	6063-T6	-
8	E608	-	LEAF W'STRIP ADAPTER	6063-T6	-
9	E609	-	LEAF HINGE STILE	6063-T6	-
10	E610	-	LEAF LOCK STILE	6063-T6	-
12	E612	-	LEAF ALIGNMENT BRACKET	6063-T6	-
13	E613	1/ CORNER	LEAF CLAMP	6063-T6	4-1/4" LONG
13A	E613	2/ HINGE	HINGE BACK-UP PLATE	6063-T6	9" LONG
13B	E613	1	LOCK REINFORCING PLATE, ABOVE AND BELOW LOCK	6063-T6	24" LONG
13C	#10 X 3/4"	1/ PLATE	LOCK REINFORCING FASTENER	6063-T6	FH SELF DRILLING SCREW
14	FY109	-	GLAZING BEAD (LAM. GLASS)	6063-T6	-
15	E710	-	GLAZING BEAD (INSUL. GLASS)	6063-T6	-
16	E616	-	SNAP COVER	6063-T6	-
17	E613	-	BOLT SUPPORT	6063-T6	NOT SHOWN
18	E623	1	SIDELITE MULLION	6063-T6	-
19	FD-107	3/ LEAF	BUTT HINGES	ALUMINUM	SULLIVAN & ASSOC.
20	FB1202	-	FLUSH BOLT LEVER	-	SULLIVAN & ASSOC.
21	FBR914SS	-	CONCEALED FLUSH BOLT ROD	ST STEEL	SULLIVAN & ASSOC.
22	#10 X 1-1/4"	AS REQD.	FRAME ASSEMBLY SCREWS	-	HH SMS
23	#12 X 3/4"	-	HINGE INSTALLATION FASTENERS	-	FH SMS
24	-	-	3/8" DIA. THREADED ROD	STEEL	-
25	W11323	-	PILE W'STRIPPING	WOOL	ULTRAFAB
26	E20618-KN-3020	-	BULB W'STRIPPING	EPDM	-
27	E206	-	GLAZING BEAD BULB	EPDM	ULTRAFAB
28	-	-	XL EDGE SPACER (INSUL. LAM. GLASS)	ST. STEEL	CARDINAL
29	E622	-	FLUSH BOLT CUP	NYLON	-
30	DL01RC	-	BLACK BOLT SUPPORT BLOCK	POLYETHYLENE	INTERLOCK
31	DL01WB	-	WHITE BOLT SUPPORT BLOCK	POLYETHYLENE	ACME PLASTIC
33	#10 X 3/4"	2/ ADAPTER	FH SELF DRILLING SCREWS, AT 5" FROM EACH END	-	-
35	-	2/ LITE	SETTING BLOCK, 1/4" X 3/4" X 4" LONG	EPDM	AT 6" FROM EACH END, DUROMETER 80±5

ITEM NUMBERS 6, 11, 32 AND 34 ARE NOT USED IN BILL OF MATERIALS

Approved as complying with the Florida Building Code  
 Date 6/2/16  
 NOA# 15-0914-11  
 Miami Dade Product Control  
 By Ishag I. Chandra



MAY 10 2016

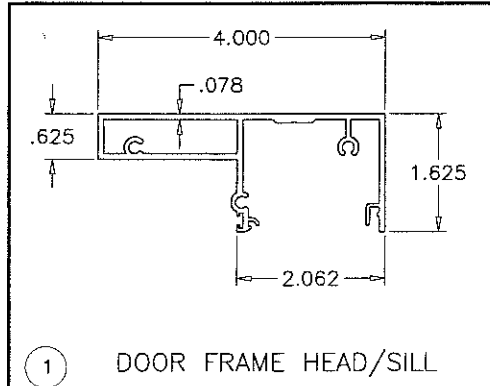
**AL-FAROQ CORPORATION**  
 ENGINEERS & PRODUCT DEVELOPMENT  
 9360 SUNSET DRIVE, SUITE 220  
 MIAMI, FLORIDA 33173 (C.A.N. 3538)  
 TEL. (305) 264-8100 FAX. (305) 262-6978  
 COMP-ANL W15-68ECO

SERIES 600 ALUM OUTSWING ENTRANCE DOOR (S.M.I.)  
**ECO WINDOW SYSTEMS, LLC.**  
 9114 N.W. 106 STREET  
 MEDLEY, FL. 33178  
 TEL. (305) 885-5299 FAX (305) 885-5902

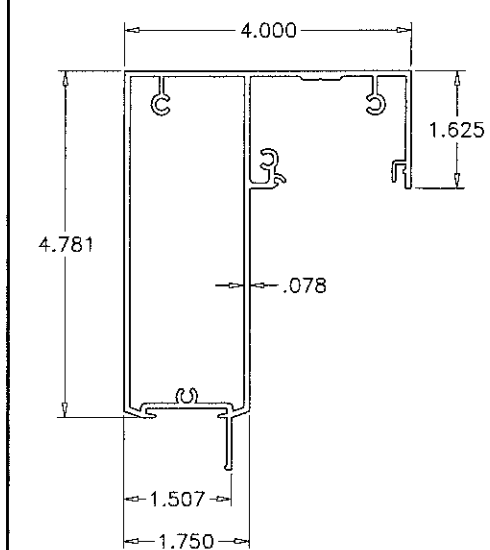
no	date	description
A	04.29.16	REV. PER RER COMMENTS

date: 09-09-15  
 scale: 3/8" = 1"  
 dr. by: TARIQ  
 chk. by:

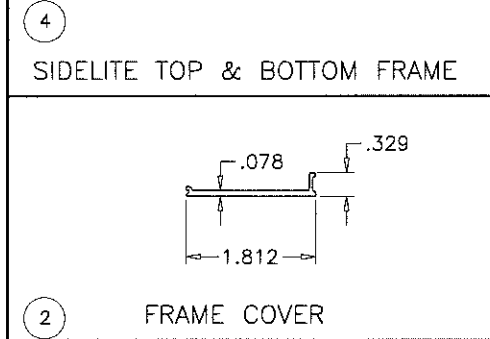
drawing no.  
**W15-68**  
 sheet 7 of 9



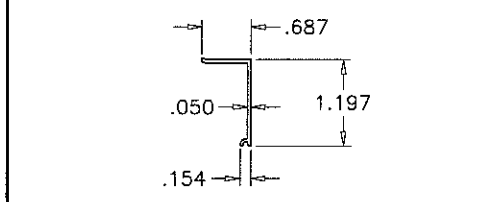
1 DOOR FRAME HEAD/SILL



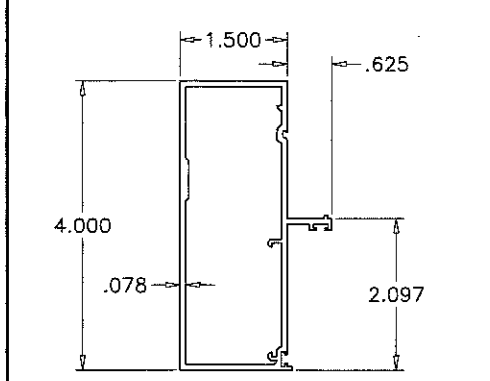
4 SIDELITE TOP & BOTTOM FRAME



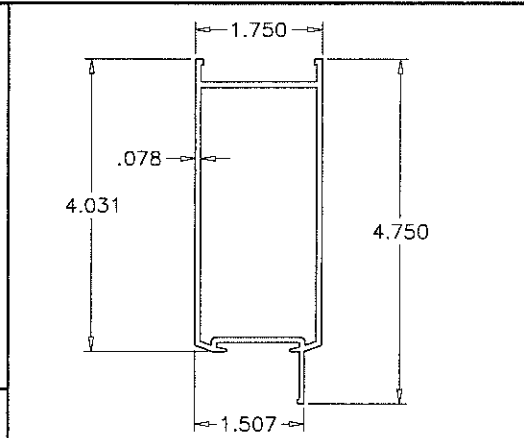
2 FRAME COVER



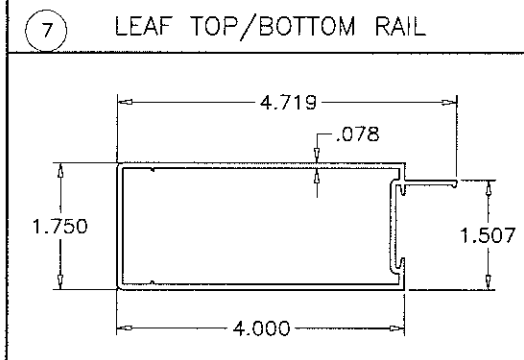
16 SNAP COVER



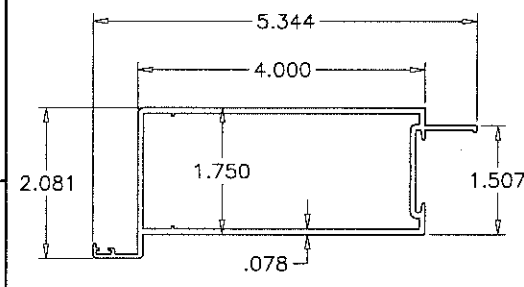
3 DOOR FRAME JAMB



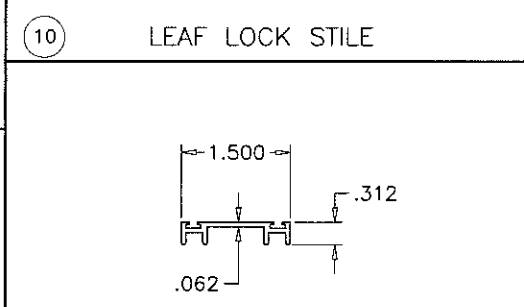
7 LEAF TOP/BOTTOM RAIL



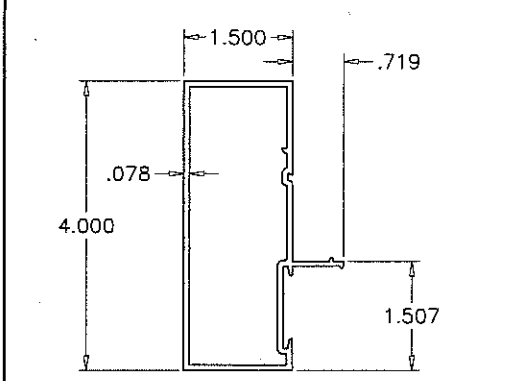
9 LEAF HINGE STILE



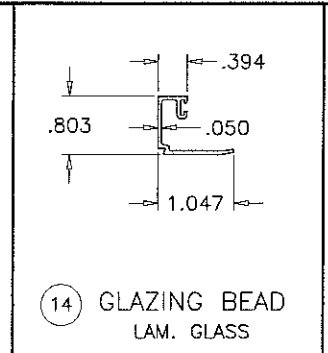
10 LEAF LOCK STILE



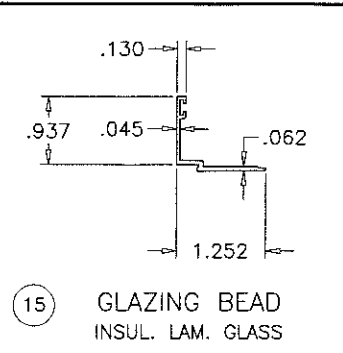
8 LEAF W'STRIP ADAPTER



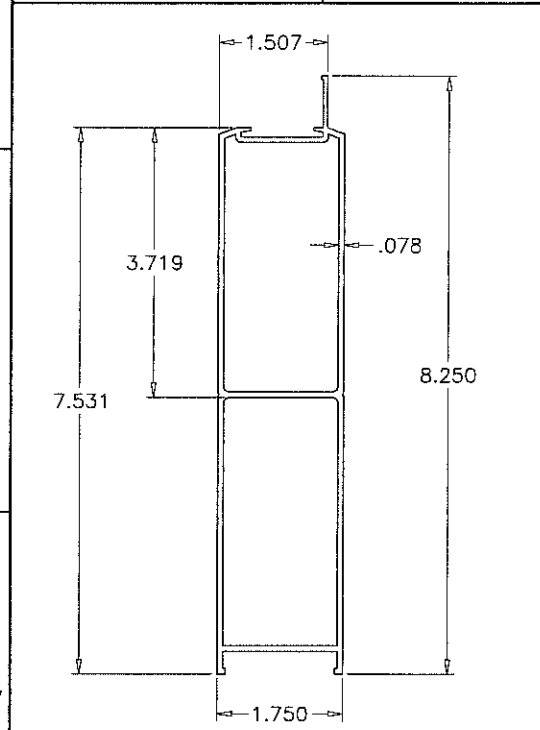
5 SIDELITE FRAME JAMB



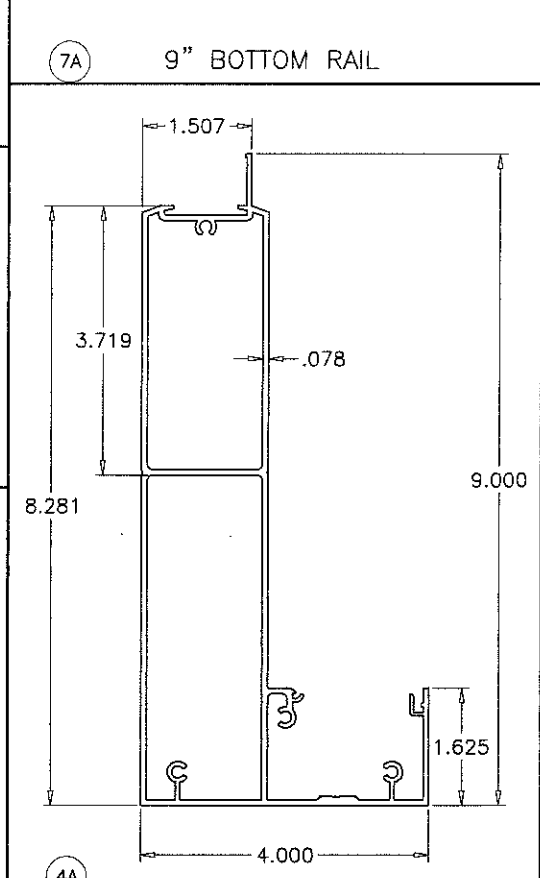
14 GLAZING BEAD LAM. GLASS



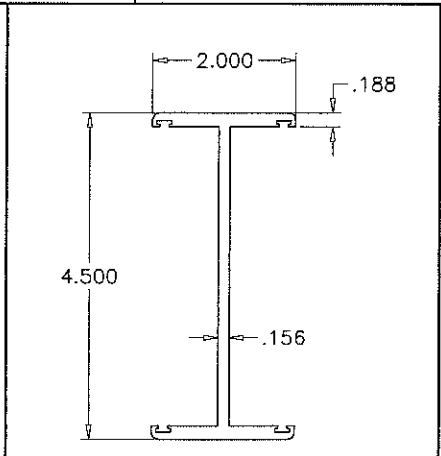
15 GLAZING BEAD INSUL. LAM. GLASS



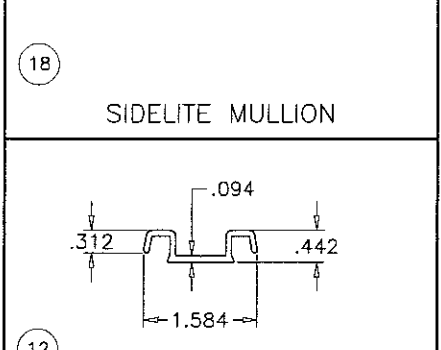
7A 9" BOTTOM RAIL



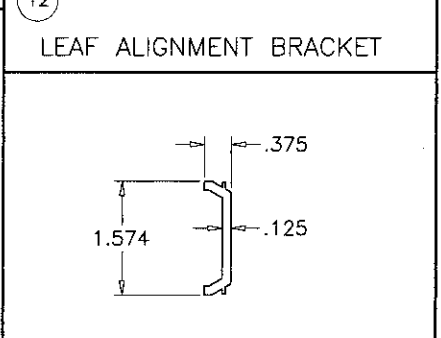
4A SIDELITE 9" BOTTOM FRAME



18 SIDELITE MULLION



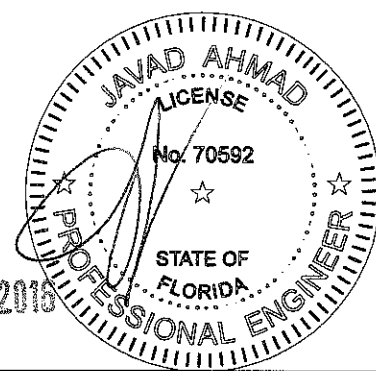
12 LEAF ALIGNMENT BRACKET



13 LEAF CLAMP

13A HINGE BACK-UP PLATE  
13B LOCK REINF.

Approved as complying with the  
Florida Building Code  
Date 6/27/16  
NOA# 15-0914.11  
Miami Dade Product Control  
By Ishag J. Chank



MAY 10 2016

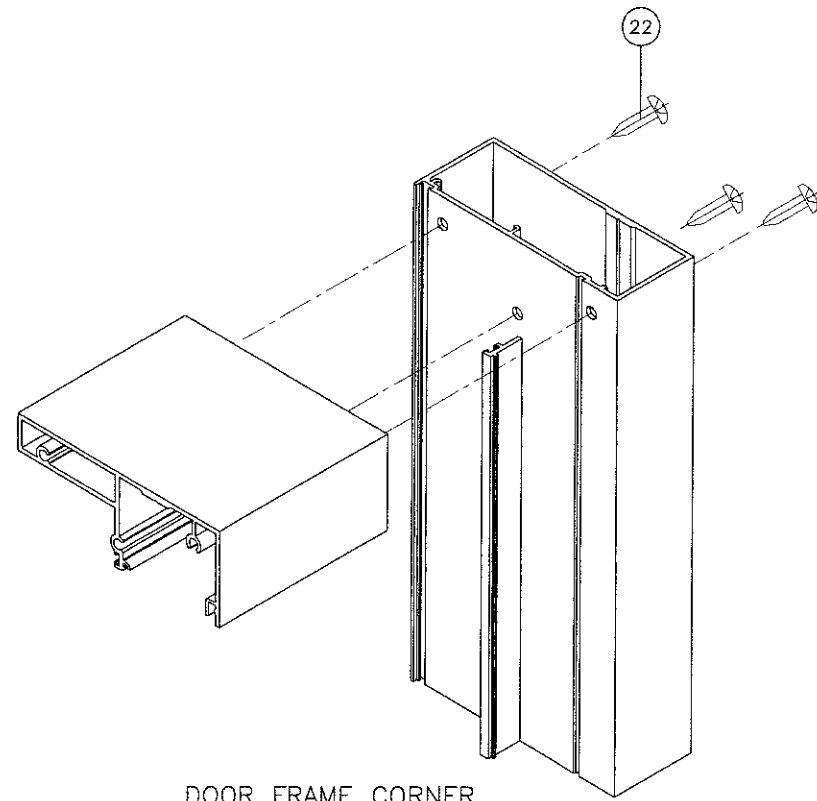
**AL-FAROQQ CORPORATION**  
ENGINEERS & PRODUCT DEVELOPMENT  
9360 SUNSET DRIVE, SUITE 220  
MIAMI, FLORIDA 33173 (C.A.N. 3538)  
TEL. (305) 264-8100 FAX. (305) 262-6978  
COMP-ANL W15-68ECO

SERIES 600 ALUM. OUTSWING ENTRANCE DOOR (S.M.I.)  
**ECO WINDOW SYSTEMS, LLC.**  
9114 N.W. 106 STREET  
MEDLEY, FL. 33178  
TEL. (305) 885-5299 FAX (305) 885-5902

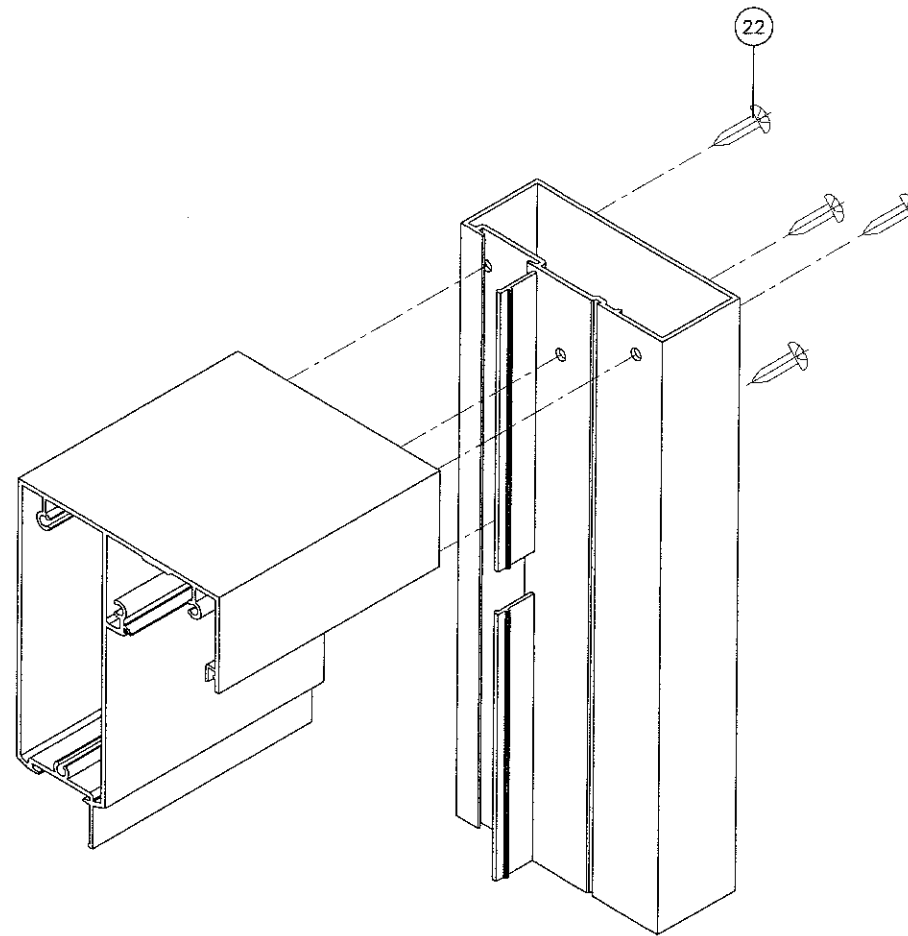
no.	date	description
A	04.29.16	REV. PER RER COMMENTS

date: 09-09-15  
scale: 3/8" = 1"  
dr. by: TARIQ  
chk. by:

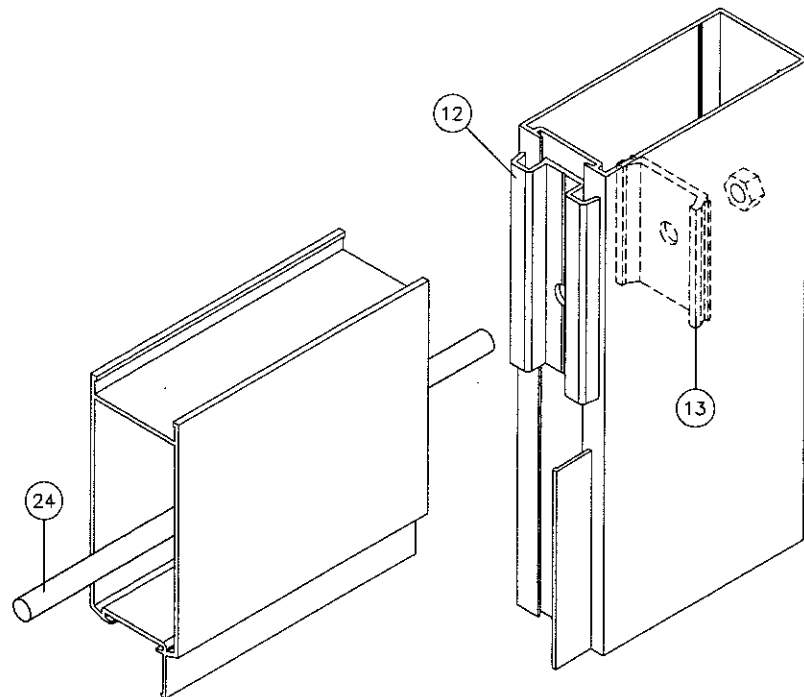
drawing no.  
**W15-68**  
sheet 8 of 9



DOOR FRAME CORNER

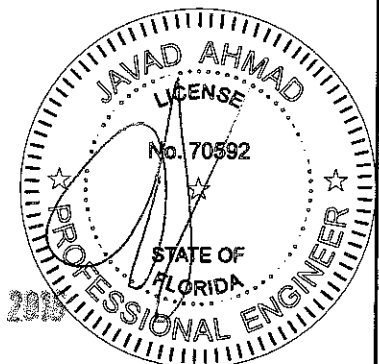


SIDELITE FRAME CORNER



LEAF CORNER

Approved as complying with the  
 Florida Building Code  
 Date June 02, 2016  
 NOA# 15-0914.11  
 Miami Dade Product Control  
 By Javad Ahmad



MAY 10 2016

**afc**

**AL-FAROQQ CORPORATION**  
 ENGINEERS & PRODUCT DEVELOPMENT  
 9360 SUNSET DRIVE, SUITE 220  
 MIAMI, FLORIDA 33173 (C.A.N. 3538)  
 TEL. (305) 264-8100 FAX. (305) 262-6978

COMP-ANL\W15-68ECO

SERIES 600 ALUM OUTSWING ENTRANCE DOOR (S.M.I.)

**ECO WINDOW SYSTEMS, LLC.**

9114 N.W. 106 STREET  
 MEDLEY, FL. 33178

TEL. (305) 885-5299 FAX (305) 885-5902

no.	date	by	description
A	04.29.16		NO CHANGE THIS SHEET

date:	09-09-15
scale:	3/8" = 1"
dr. by:	TARIQ
chk. by:	

drawing no.  
**W15-68**

sheet 9 of 9