



DEPARTMENT OF REGULATORY AND ECONOMIC RESOURCES (RER)
BOARD AND CODE ADMINISTRATION DIVISION

MIAMI-DADE COUNTY
PRODUCT CONTROL SECTION
11805 SW 26 Street, Room 208
Miami, Florida 33175-2474
T (786) 315-2590 F (786) 315-2599
www.miamidade.gov/economy

NOTICE OF ACCEPTANCE (NOA)

Iko Industries Ltd.
40 Hansen Rd. S.
Brampton, Ontario CANADA
L6W3H4

SCOPE:

This NOA is being issued under the applicable rules and regulations governing the use of construction materials. The documentation submitted has been reviewed and accepted by Miami-Dade County RER - Product Control Section to be used in Miami-Dade County and other areas where allowed by the Authority Having Jurisdiction (AHJ).

This NOA shall not be valid after the expiration date stated below. The Miami-Dade County Product Control Section (in Miami-Dade County) and/or the AHJ (in areas other than Miami-Dade County) reserve the right to have this product or material tested for quality assurance purposes. If this product or material fails to perform in the accepted manner, the manufacturer will incur the expense of such testing and the AHJ may immediately revoke, modify, or suspend the use of such product or material within their jurisdiction. RER reserves the right to revoke this acceptance, if it is determined by Miami-Dade County Product Control Section that this product or material fails to meet the requirements of the applicable building code.

This product is approved as described herein, and has been designed to comply with the Florida Building Code including the High Velocity Hurricane Zone of the Florida Building Code.

DESCRIPTION: Cambridge, Cambridge HD, and Biltmore AR Asphalt Shingles

LABELING: Each unit shall bear a permanent label with the manufacturer's name or logo, city, state and following statement: "Miami-Dade County Product Control Approved", unless otherwise noted herein.

RENEWAL of this NOA shall be considered after a renewal application has been filed and there has been no change in the applicable building code negatively affecting the performance of this product.

TERMINATION of this NOA will occur after the expiration date or if there has been a revision or change in the materials, use, and/or manufacture of the product or process. Misuse of this NOA as an endorsement of any product, for sales, advertising or any other purposes shall automatically terminate this NOA. Failure to comply with any section of this NOA shall be cause for termination and removal of NOA.

ADVERTISEMENT: The NOA number preceded by the words Miami-Dade County, Florida, and followed by the expiration date may be displayed in advertising literature. If any portion of the NOA is displayed, then it shall be done in its entirety.

INSPECTION: A copy of this entire NOA shall be provided to the user by the manufacturer or its distributors and shall be available for inspection at the job site at the request of the Building Official.

This NOA renews NOA No.14-0603.02 and consists of pages 1 through 4.
The submitted documentation was reviewed by Gaspar J Rodriguez.



NOA No.: 16-0329.13
Expiration Date: 05/05/21
Approval Date: 04/21/16
Page 1 of 4

ROOFING ASSEMBLY APPROVAL

Category:	Roofing
Sub-Category:	Asphalt Shingles
Materials:	Laminate
Deck Type:	Wood

SCOPE

This approves a roofing system using **Cambridge AR, Cambridge HD, and Biltmore AR** asphalt shingles manufactured by IKO Industries Ltd. as described in Section 2 of his Notice of Acceptance.

PRODUCT DESCRIPTION

<u>Product</u>	<u>Dimensions</u>	<u>Test Specifications</u>	<u>Product Description</u>
Cambridge <i>Manufacturing Location #1, 2, 3</i>	13 3/4" x 40 7/8"	TAS 110	A heavy weight, fiberglass reinforced laminate asphalt shingle.
Cambridge HD <i>Manufacturing Location #1, 2, 3</i>	13 3/4" x 40 7/8"	TAS 110	A heavy weight, fiberglass reinforced laminate asphalt shingle.
Biltmore AR <i>Manufacturing Location #1, 2</i>	13 3/4" x 40 7/8"	TAS 110	A heavy weight, fiberglass reinforced laminate asphalt shingle.

MANUFACTURING LOCATION

1. Kankakee, IL
2. Wilmington, DE
3. Sylacuaga, AL

EVIDENCE SUBMITTED

<u>Test Agency</u>	<u>Test Identifier</u>	<u>Test Name/Report</u>	<u>Date</u>
PRI Construction Materials Inc.	IKO-050-02-01	TAS 100	12/21/09
	IKO-076-02-01	TAS 100	02/21/12
	IKO-114-02-01	TAS 100	09/25/14
	IKO-099-02-01	TAS 100	05/12/14
	IKO-096-02-01	ASTM D 3462	09/27/13
	IKO-095-02-01	ASTM D 3462	09/27/13
	IKO-121-02-01	ASTM D 3462	09/25/14
	IKO-100-02-01	ASTM D 3161 (TAS-107)	05/21/14
	IKO-115-02-01	ASTM D 3161 (TAS-107)	09/25/14
	FM Approvals	3041689	ASTM D 3462
3036971		ASTM D 3161 (TAS-107)	01/04/09
3042673		ASTM E 108	04/12/11



LIMITATIONS

1. Fire classification is not part of this acceptance; refer to a current Approved Roofing Materials Directory for fire ratings of this product.
2. Shall not be installed on roof mean heights in excess of 33 ft.
3. All products listed herein shall have a quality assurance audit in accordance with the Florida Building Code and Rule 61G20-3 of the Florida Administrative Code.

INSTALLATION

1. Shingles shall be installed in compliance with Roofing Application Standard RAS 115.
2. Flashing shall be in accordance with Roofing Application Standard RAS 115
3. The manufacturer shall provide clearly written application instructions.
4. Exposure and course layout shall be in compliance with Detail 'A', attached.
5. Nailing shall be in compliance with Detail 'B', attached.

LABELING

1. Shingles shall be labeled with the Miami-Dade Seal as seen below, or the wording “Miami-Dade County Product Control Approved”.

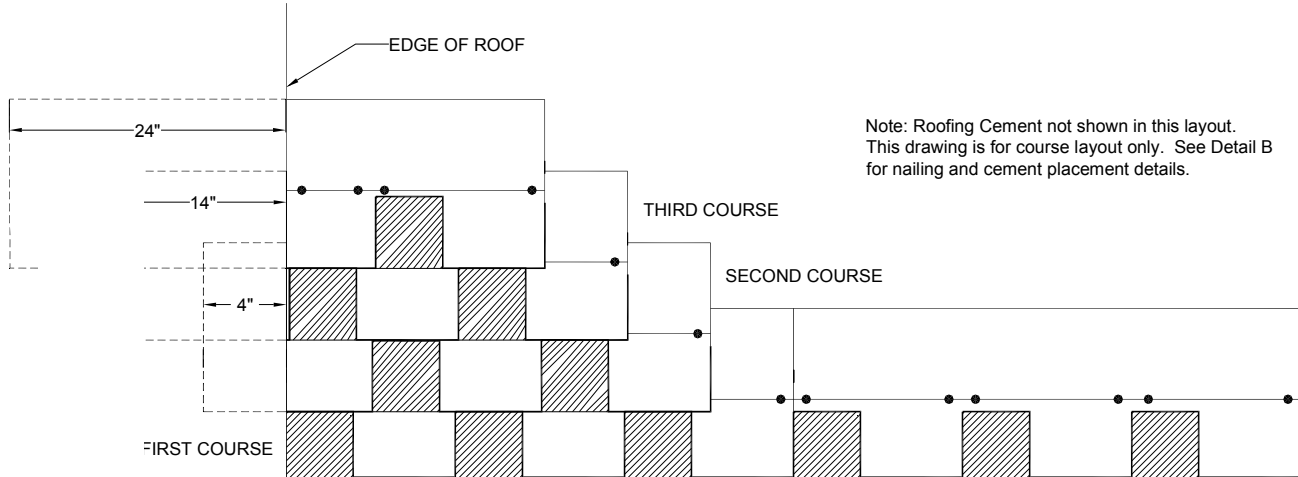


BUILDING PERMIT REQUIREMENTS

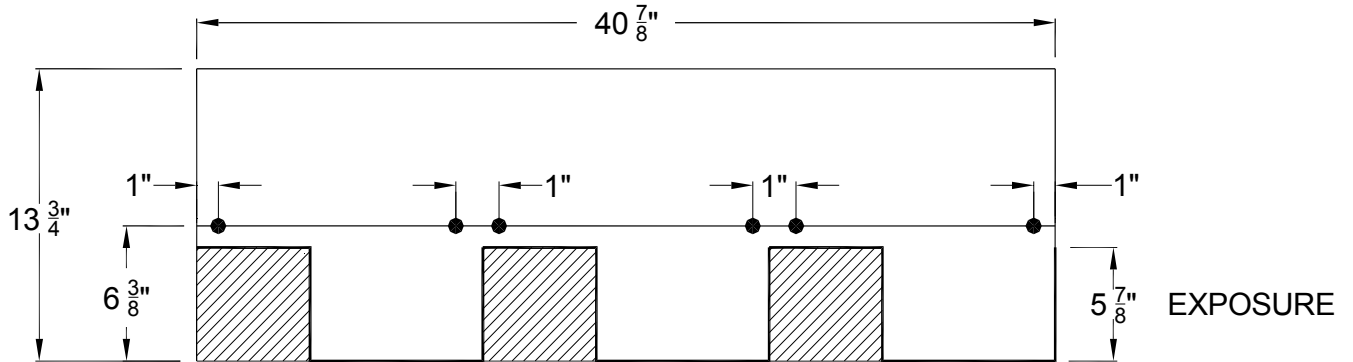
1. Application for building permit shall be accompanied by copies of the following:
 - 1.1 This Notice of Acceptance.
 - 1.2 Any other documents required by the Building Official or the applicable code in order to properly evaluate the installation of this system.



DETAIL A
CAMBRIDGE, CAMBRIDGE HD, BILTMORE AR COURSE LAYOUT



DETAIL B
CAMBRIDGE, CAMBRIDGE HD, BILTMORE AR



END OF THIS ACCEPTANCE

