



DEPARTMENT OF REGULATORY AND ECONOMIC RESOURCES (RER)  
BOARD AND CODE ADMINISTRATION DIVISION  
**NOTICE OF ACCEPTANCE (NOA)**

MIAMI-DADE COUNTY  
PRODUCT CONTROL SECTION  
11805 SW 26 Street, Room 208  
Miami, Florida 33175-2474  
T (786) 315-2590 F (786) 315-2599  
[www.miamidade.gov/economy](http://www.miamidade.gov/economy)

**DAB Door Company, Inc.**  
12195 NW 98<sup>th</sup> Avenue  
Hialeah Gardens, FL 33018

**SCOPE:**

This NOA is being issued under the applicable rules and regulations governing the use of construction materials. The documentation submitted has been reviewed and accepted by Miami-Dade County RER-Product Control Section to be used in Miami Dade County and other areas where allowed by the Authority Having Jurisdiction (AHJ).

This NOA shall not be valid after the expiration date stated below. The Miami-Dade County Product Control Section (In Miami Dade County) and/or the AHJ (in areas other than Miami Dade County) reserve the right to have this product or material tested for quality assurance purposes. If this product or material fails to perform in the accepted manner, the manufacturer will incur the expense of such testing and the AHJ may immediately revoke, modify, or suspend the use of such product or material within their jurisdiction. RER reserves the right to revoke this acceptance, if it is determined by Miami-Dade County Product Control Section that this product or material fails to meet the requirements of the applicable building code.

This product is approved as described herein, and has been designed to comply with the Florida Building Code, including the High Velocity Hurricane Zone.

**DESCRIPTION: Hurricane Master Model 824/811 Steel Sectional Garage Door up to 18'-2" Wide w/ Window Lite Option (DP +40.0, -44.0 PSF)**

**APPROVAL DOCUMENT:** Drawing No. 05-03, titled "Sectional Garage Door", sheets 1 through 5 of 5, dated 05/16/2005, with revision H dated 03/21/2016, prepared by Al-Farooq Corporation, signed and sealed by Javad Ahmad, P.E., bearing the Miami-Dade County Product Control renewal stamp with the Notice of Acceptance number and expiration date by the Miami-Dade County Product Control Section.

**MISSILE IMPACT RATING: Large and Small Missile Impact Resistant**

**LABELING:** A permanent label with the manufacturer's name or logo, manufacturing address, model number, the positive and negative design pressure rating, indicate impact rated if applicable, installation instruction drawing reference number, approval number (NOA), the applicable test standards, and the statement reading 'Miami-Dade County Product Control Approved' is to be located on the door's side track, bottom angle, or inner surface of a panel.

**RENEWAL** of this NOA shall be considered after a renewal application has been filed and there has been no change in the applicable building code negatively affecting the performance of this product.

**TERMINATION** of this NOA will occur after the expiration date or if there has been a revision or change in the materials, use, and/or manufacture of the product or process. Misuse of this NOA as an endorsement of any product, for sales, advertising or any other purposes shall automatically terminate this NOA. Failure to comply with any section of this NOA shall be cause for termination and removal of NOA.

**ADVERTISEMENT:** The NOA number preceded by the words Miami-Dade County, Florida, and followed by the expiration date may be displayed in advertising literature. If any portion of the NOA is displayed, then it shall be done in its entirety.

**INSPECTION:** A copy of this entire NOA shall be provided to the user by the manufacturer or its distributors and shall be available for inspection at the job site at the request of the Building Official.

This NOA **renews NOA # 15-0317.01** and consists of this page 1 and evidence pages E-1 and E-2, as well as approval document mentioned above.

The submitted documentation was reviewed by **Carlos M. Utrera, P.E.**



*[Handwritten Signature]*  
06/13/2016

NOA No. 16-0330.01  
Expiration Date: March 29, 2022  
Approval Date: June 23, 2016  
Page 1

NOTICE OF ACCEPTANCE: EVIDENCE SUBMITTED

**A. DRAWINGS**

1. Drawing No. **05-03**, titled "Sectional Garage Door", sheets 1 through 5 of 5, dated 05/16/2005, with revision H dated 03/21/2016, prepared by Al-Farooq Corporation, signed and sealed by Javad Ahmad, P.E.

**B. TESTS "Submitted under NOA # 09-0128.06"**

1. Test reports on 1) Uniform Static Air Pressure Test Loading per FBC TAS 202-94  
2) Large Missile Impact Test per FBC, TAS 201-94  
3) Cyclic Wind Pressure Loading per FBC, TAS 203-94  
4) Forced Entry Test per FBC, TAS 202-94  
along with marked-up drawings and installation diagram of a DAB 824 24 GA Sectional Garage Door with Fixed Windows, prepared by Hurricane Engineering & Testing, Inc, Test Reports No. **HETI-08-2149A/B**, dated 06/27/2008, signed and sealed by Candido F. Font, P.E.
2. Test report of Tensile Test per ASTM E 8, Report No. **HETI 08-T182**, prepared by Hurricane Engineering & Testing, Inc., dated 12/23/2008, signed and sealed by Candido F. Font, PE.

**"Submitted under NOA # 06-0817.07"**

3. Test report of Uniform Static Air Pressure and Force Entry Resistance Test, per FBC, TAS 202-94 on "Sectional Residential Garage Doors", prepared by Hurricane Engineering & Testing, Inc., Report No. **HETI 05-1445**, dated 03/18/2005, signed and sealed by Rafael E. Droz-Seda, P.E.
4. Test report of Large Missile Impact Test, per FBC, TAS 201-94 and Cyclic Wind Pressure Test per, per FBC, TAS 203-94 on "Sectional Residential Garage Doors", prepared by Hurricane Engineering & Testing, Inc., Report No. **HETI 05-1446**, dated 05/11/2005, signed and sealed by Rafael E. Droz-Seda, P.E.

**"Submitted under NOA # 03-0210.04"**

5. Test report on Salt Spray (Corrosion) Test per ASTM B 117 of a painted G-40 steel panels, prepared by Celotex Corporation, Test Report No. **258592**, dated 08/17/1998, signed by W. A. Jackson, P.E.

**C. CALCULATIONS "Submitted under NOA # 14-0814.03"**

1. Anchor verification calculations prepared by Al-Farooq Corporation, dated 09/22/2014 and 07/24/2014, signed and sealed by Javad Ahmad, P.E.

**"Submitted under NOA # 09-0128.06"**

2. Anchor verification calculations prepared by Al-Farooq Corporation, complying with F.B.C 2007, dated 11/21/2008, signed and sealed by Humayoun Farooq, P.E.

  
06/13/2016

Carlos M. Utrera, P.E.  
Product Control Examiner  
NOA No. 16-0330.01  
Expiration Date: March 29, 2022  
Approval Date: June 23, 2016

NOTICE OF ACCEPTANCE: EVIDENCE SUBMITTED

**D. QUALITY ASSURANCE**

1. Miami-Dade Department of Regulatory and Economic Resources (RER)

**E. MATERIAL CERTIFICATIONS**

1. Notice of Acceptance No. **15-0915.08**, issued to SABIC Innovative Plastics, for their Lexan Polycarbonate Sheet Products, approved on 12/10/2015 and expiring on 07/17/2018.
2. Notice of Acceptance No. **14-0311.08**, issued to Insulfoam, LLC, for their Insulfoam Expanded Polystyrene Insulation, approved on 08/14/2014 and expiring on 11/29/2017.
3. Notice of Acceptance No. **11-0926.07**, issued to Dyplast Products, LLC, for their Expanded Polystyrene Block Type Insulation, approved on 11/10/2011 and expiring on 01/11/2017.
4. Notice of Acceptance No. **11-0926.06**, issued to Dyplast Products, LLC, for their Dyplast ISO-C1 Polyisocyanurate Insulation, approved on 11/10/2011 and expiring on 01/11/2017.
5. Notice of Acceptance No. **15-1203.04**, issued to Cellofoam North America Inc, for their Expanded Polystyrene Block Insulation, approved on 03/17/2016 and expiring on 02/24/2021.

*“Submitted under NOA # 05-0228.02”*

6. Test Report on Accelerated Weathering Using Xenon Arc Light Apparatus Test per ASTM G155 of “PVC Extrusion Material”, prepared by Hurricane Engineering & Testing, Inc., Report No. **HETI 04-A002**, dated 09/27/2004, signed and sealed by Rafael E. Droz-Seda, P.E.
7. Test Reports on Tensile Test per ASTM D638 of “PVC Extrusion Material”, prepared by Hurricane Engineering & Testing Inc., Report No. **HETI 04-T251**, dated 11/29/2004 signed and sealed by I. Ghia, P.E.
8. Test Report on Self-Ignition Temperature Test, Rate of Burn Test and Smoke Density Test of “REHAU non-foam PVC extrusion material”, prepared by ETC Laboratories, Report No. **04-761-15019.0**, dated 05/06/2004, signed and sealed by J. L. Doldan, P.E.

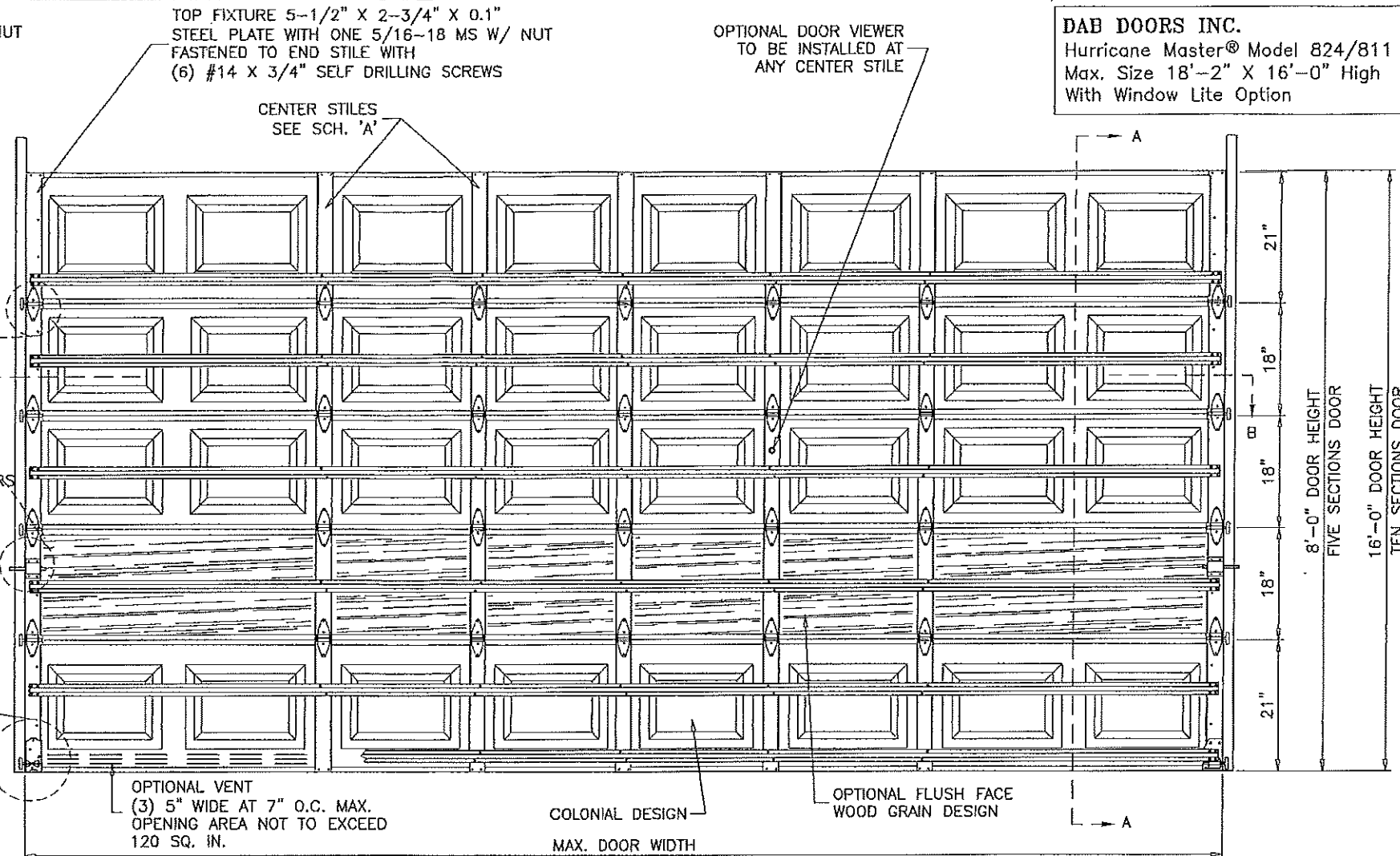
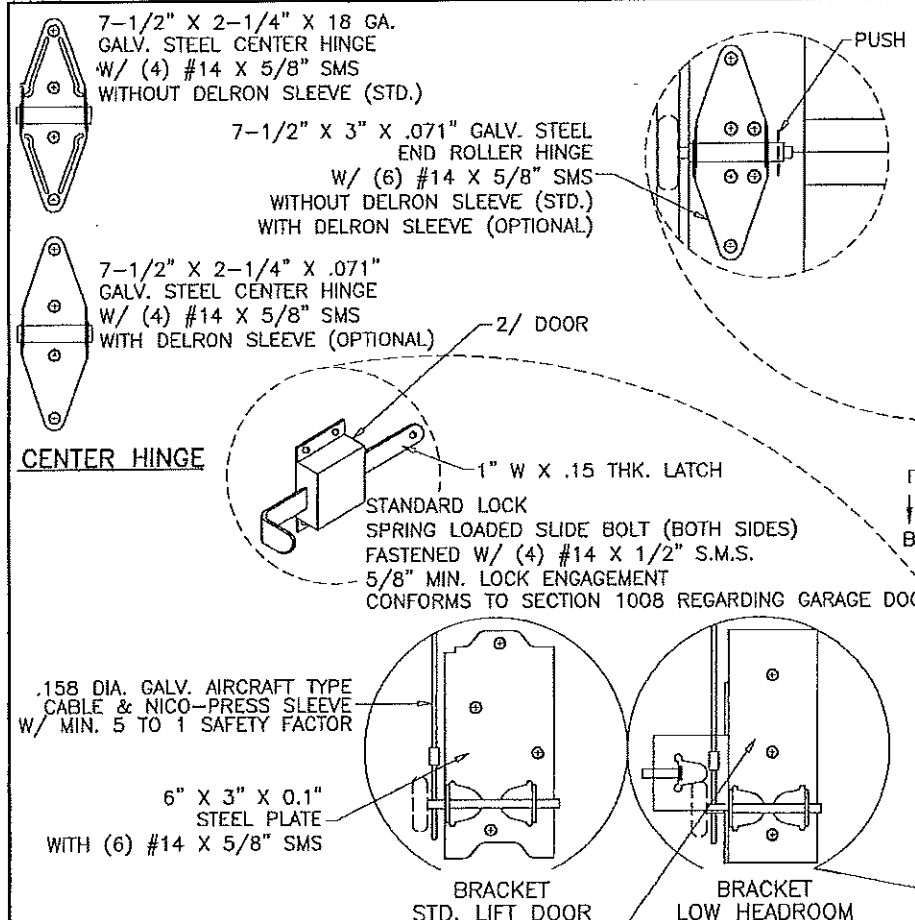
**F. STATEMENTS**

1. Statement letter of code conformance to the 5<sup>th</sup> edition (2014) FBC and of no financial interest issued by Al-Farooq Corporation, dated 03/21/2016, signed and sealed by Javad Ahmad, P.E.



---

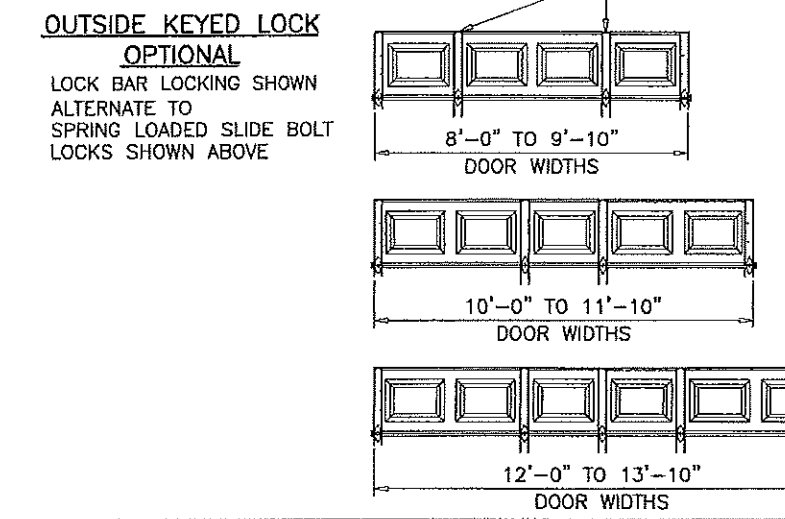
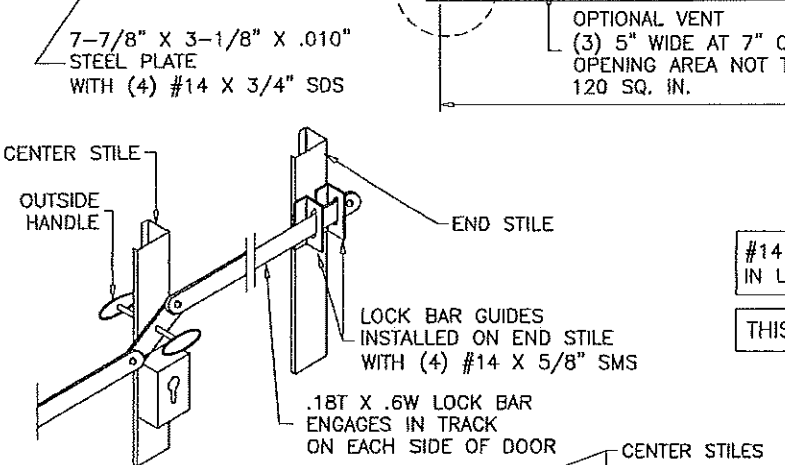
Carlos M. Utrera, P.E.  
Product Control Examiner  
NOA No. 16-0330.01  
Expiration Date: March 29, 2022  
Approval Date: June 23, 2016



**DAB DOORS INC.**  
Hurricane Master® Model 824/811  
Max. Size 18'-2" X 16'-0" High  
With Window Lite Option

**AL-FAROOQ CORPORATION**  
ENGINEERS & PRODUCT DEVELOPMENT  
9360 SUNSET DRIVE, SUITE 220  
MIAMI, FLORIDA 33173 (C.A.N. 3538)  
TEL. (305) 264-8400 FAX. (305) 262-6978

DOOR HEIGHT	CONSISTS OF		TOTAL # OF 'U' BARS AT EACH DOOR
6'-6"	2 SECTIONS 18"	2 SECTIONS 21"	5
6'-9"	1 SECTION 18"	3 SECTIONS 21"	
7'	4 SECTIONS 21"	-	6
7'-6"	5 SECTIONS 18"	-	
7'-9"	4 SECTIONS 18"	1 SECTION 21"	7
8'	3 SECTIONS 18"	2 SECTIONS 21"	
8'-3"	2 SECTIONS 18"	3 SECTIONS 21"	8
8'-6"	1 SECTION 18"	4 SECTIONS 21"	
8'-9"	5 SECTIONS 21"	-	9
9'	6 SECTIONS 18"	-	
9'-3"	5 SECTIONS 18"	1 SECTION 21"	10
9'-6"	4 SECTIONS 18"	2 SECTIONS 21"	
9'-9"	3 SECTIONS 18"	3 SECTIONS 21"	11
10'	2 SECTIONS 18"	4 SECTIONS 21"	
10'-3"	1 SECTION 18"	5 SECTIONS 21"	12
10'-6"	6 SECTIONS 21"	-	
10'-9"	6 SECTIONS 18"	1 SECTION 21"	13
11'	5 SECTIONS 18"	2 SECTIONS 21"	
11'-3"	4 SECTIONS 18"	3 SECTIONS 21"	14
11'-6"	3 SECTIONS 18"	4 SECTIONS 21"	
11'-9"	2 SECTIONS 18"	5 SECTIONS 21"	15
12'	1 SECTIONS 18"	6 SECTIONS 21"	
12'-3"	7 SECTIONS 21"	-	16
12'-6"	6 SECTIONS 18"	2 SECTIONS 21"	
12'-9"	5 SECTIONS 18"	3 SECTIONS 21"	17
13'	4 SECTIONS 18"	4 SECTIONS 21"	
13'-3"	3 SECTIONS 18"	5 SECTIONS 21"	18
13'-6"	2 SECTIONS 18"	6 SECTIONS 21"	
13'-9"	1 SECTION 18"	7 SECTIONS 21"	19
14'	8 SECTIONS 21"	-	
14'-3"	6 SECTIONS 18"	3 SECTIONS 21"	20
14'-6"	5 SECTIONS 18"	4 SECTIONS 21"	
14'-9"	4 SECTIONS 18"	5 SECTIONS 21"	21
15'	3 SECTIONS 18"	6 SECTIONS 21"	
15'-3"	2 SECTIONS 18"	7 SECTIONS 21"	22
15'-6"	1 SECTION 18"	8 SECTIONS 21"	
15'-9"	9 SECTIONS 21"	-	23
16'	6 SECTIONS 18"	4 SECTIONS 21"	



**INSIDE ELEVATION**  
RAISED PANEL EMBOSSED DOOR

#14 X 3/4" SELF DRILLING SCREWS MAY BE USED IN LIEU OF #14 X 5/8" SMS

THIS PRODUCT IS RATED FOR LARGE MISSILE IMPACT

SCHEDULE 'A'

DOOR WIDTHS	# OF CENTER STILES
8'-0" TO 9'-10"	2
10'-0" TO 11'-10"	2
12'-0" TO 13'-10"	3
14'-0" TO 15'-10"	4
15'-11" TO 18'-2"	5

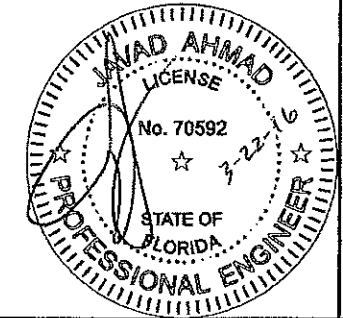
DESIGN PRESSURE RATING = + 40.0 PSF  
- 44.0 PSF

**GENERAL NOTES**

- THIS PRODUCT HAS BEEN DESIGNED AND TESTED TO COMPLY WITH THE REQUIREMENTS OF THE 2014 (5TH EDITION) FLORIDA BUILDING CODE INCLUDING HIGH VELOCITY HURRICANE ZONE (HVHZ).
- ANCHORS SHALL BE AS LISTED, SPACED AS SHOWN ON DETAILS. ANCHOR EMBEDMENT TO BASE MATERIAL SHALL BE BEYOND WALL DRESSING OR STUCCO.
- ALL BOLTS, NUTS AND WASHERS SHALL BE ZINC PLATED CARBON STEEL.
- ANCHORING OR LOADING CONDITIONS OTHER THAN THOSE SHOWN IN THESE DETAILS ARE NOT PART OF THIS APPROVAL.
- A LOAD DURATION INCREASE IS USED IN DESIGN OF ANCHORS INTO WOOD ONLY.

DOOR TESTED IN ACCORDANCE WITH THE REQUIREMENTS OF FLORIDA BUILDING CODE, TAS-202, TAS-201 & TAS-203 FOR HVHZ AND ASTM E1886-05/ASTM E1996-09.

**PRODUCT RENEWED**  
as complying with the Florida Building Code  
NOA-No. **16-0330.01**  
Expiration Date **03/29/2022**  
By *[Signature]*  
Miami-Dade Product Control



SECTIONAL GARAGE DOOR

**DAB DOORS INC.**  
12195 N.W. 98 TH. AVE.  
HIALEAH GARDENS, FL. 33018  
TEL. (305) 556 - 6624

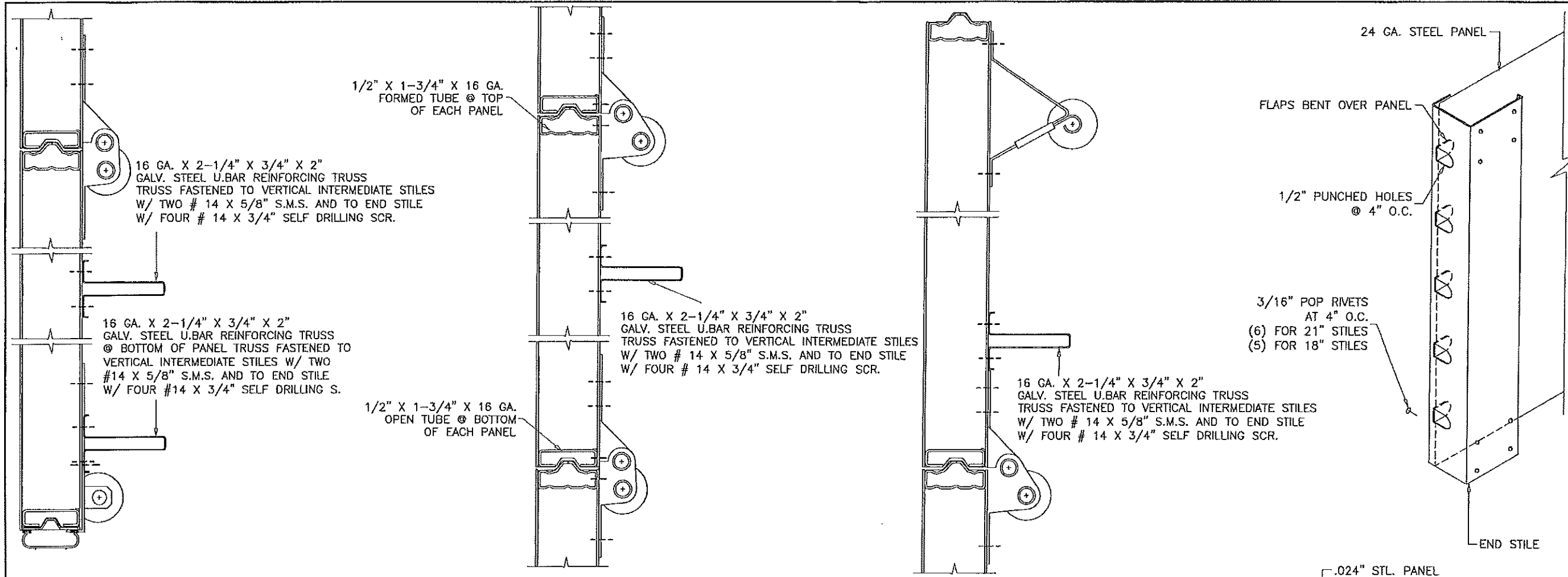
REVISIONS:

NO	DATE	DESCRIPTION	BY
E	09.16.14	NO CHANGE THIS SHEET	
F	11.03.14	NO CHANGE THIS SHEET	
G	03.05.15	NO CHANGE THIS SHEET	
H	03.21.16	NO CHANGE THIS SHEET	

date: 05-16-05  
scale: 1/2"=1'-0"  
dr. by: HAMID  
chk. by:

drawing no. **05-03**  
sheet 1 of 5

GARAGE\05-03DAB



**1ST SECTION (BOTTOM)**

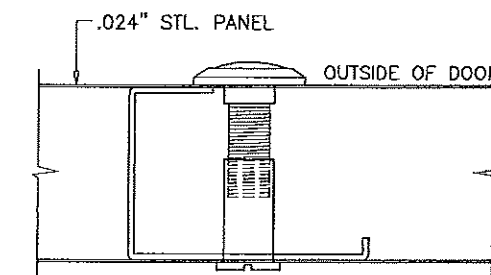
REINFORCING TRUSS  
TWO AT BOTTOM PANEL

**INTERMEDIATE SECTIONS**

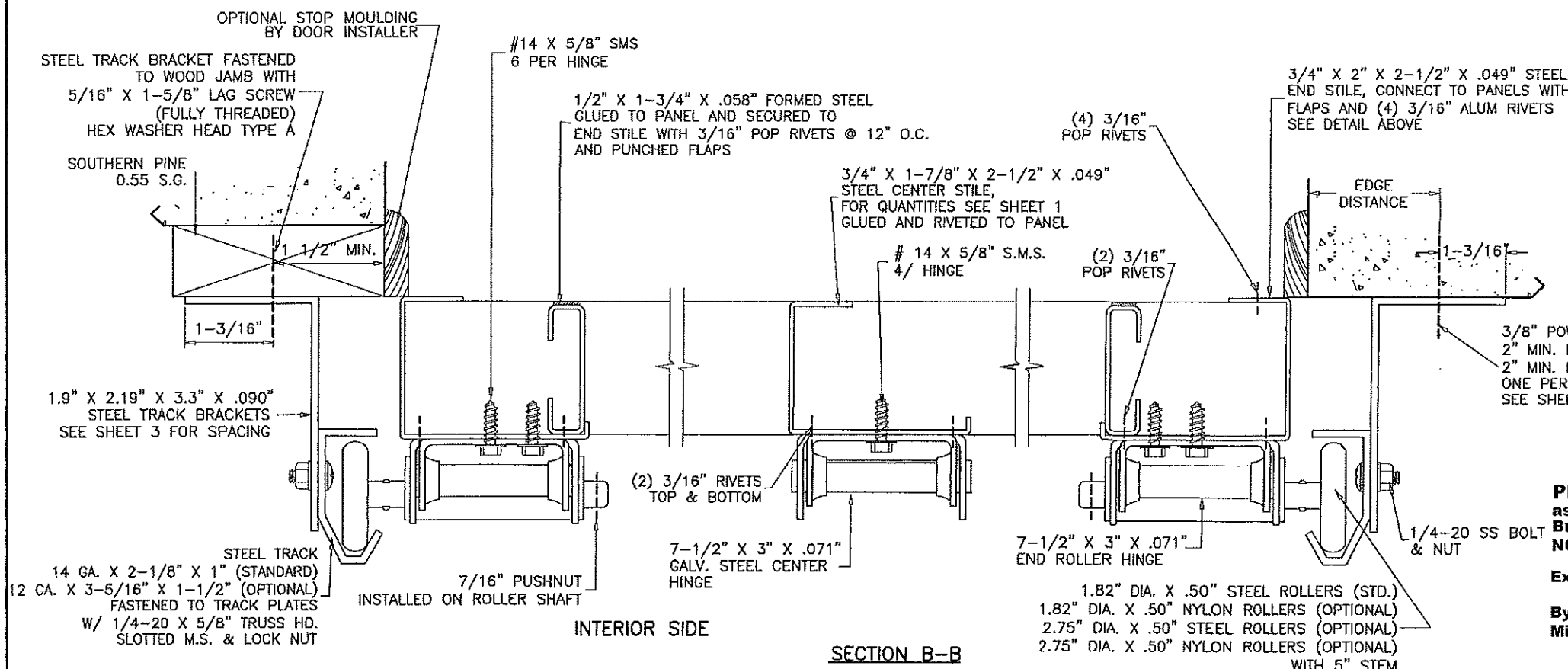
REINFORCING TRUSS  
ONE AT EACH PANEL

**TOP SECTION**

REINFORCING TRUSS  
ONE AT EACH PANEL



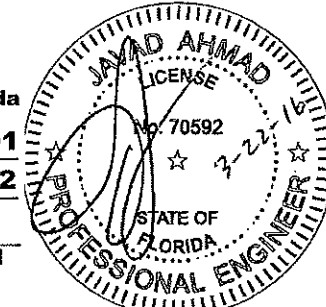
**SOLID BRASS DOOR VIEWER**  
BY 'SCHLAGE SECURITY HARDWARE'  
INSTALLED IN 9/16\"/>



**INTERIOR SIDE**

**SECTION B-B**

**PRODUCT RENEWED**  
as complying with the Florida  
Building Code  
NOA-No. **16-0330.01**  
Expiration Date **03/29/2022**  
By *[Signature]*  
Miami-Dade Product Control



**af c**  
**AL-FAROOQ CORPORATION**  
ENGINEERS & PRODUCT DEVELOPMENT  
9360 SUNSET DRIVE, SUITE 220  
MIAMI, FLORIDA 33173 (C.A.N. 3538)  
TEL. (305) 262-6978 FAX. (305) 264-8100  
GARAGE\05-03DAB

---

**SECTIONAL GARAGE DOOR**  
**DAB DOORS INC.**  
12195 N.W. 98 TH. AVE.  
HIALEAH GARDENS, FL. 33018  
TEL. (305) 556 - 6624

---

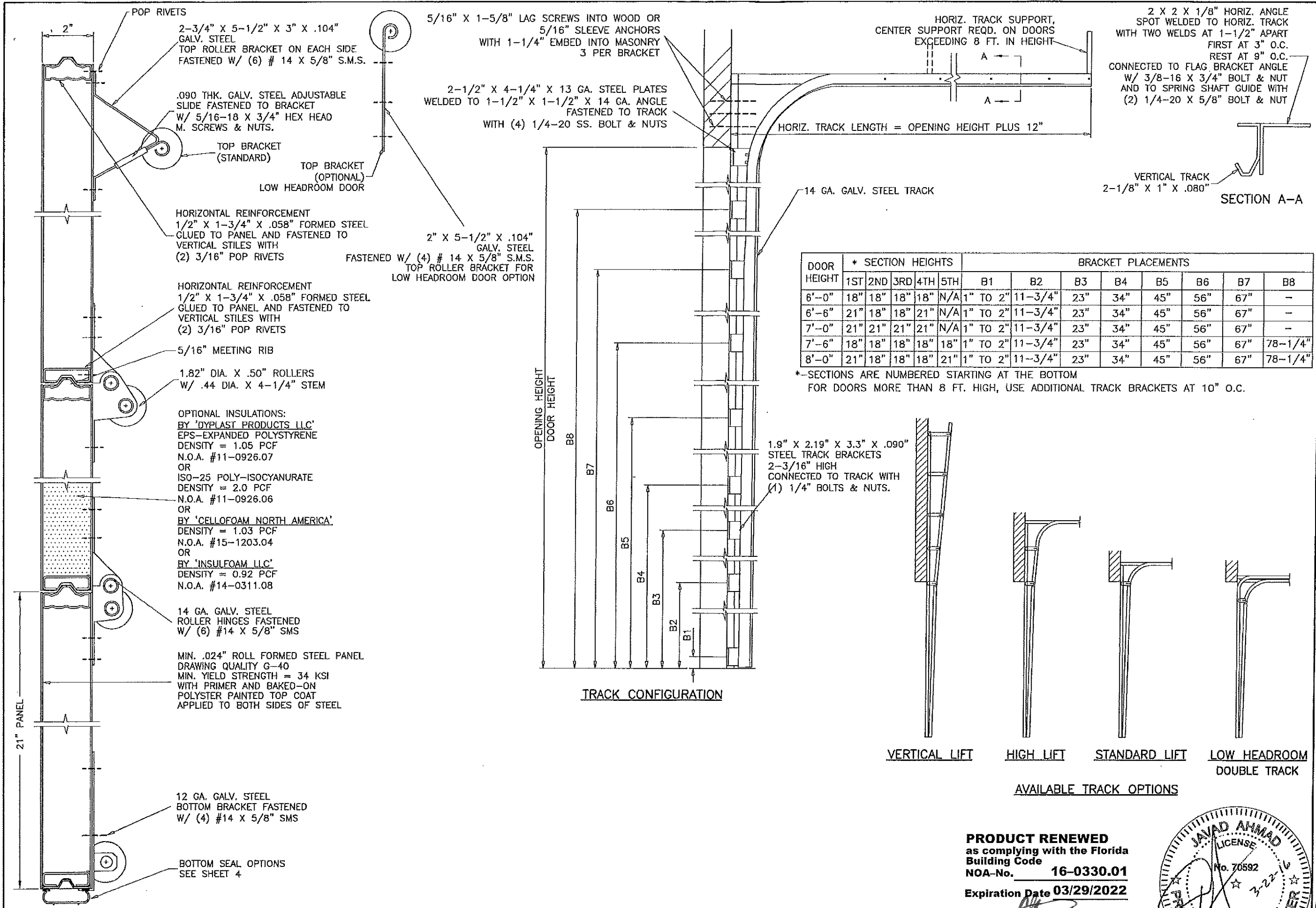
NO	DATE	DESCRIPTION
E	09.16.14	NO CHANGE THIS SHEET
F	11.03.14	NO CHANGE THIS SHEET
G	03.05.15	NO CHANGE THIS SHEET
H	03.21.16	NO CHANGE THIS SHEET

---

date: 05-16-05  
scale:  
dr. by: HAMID  
chk. by:

---

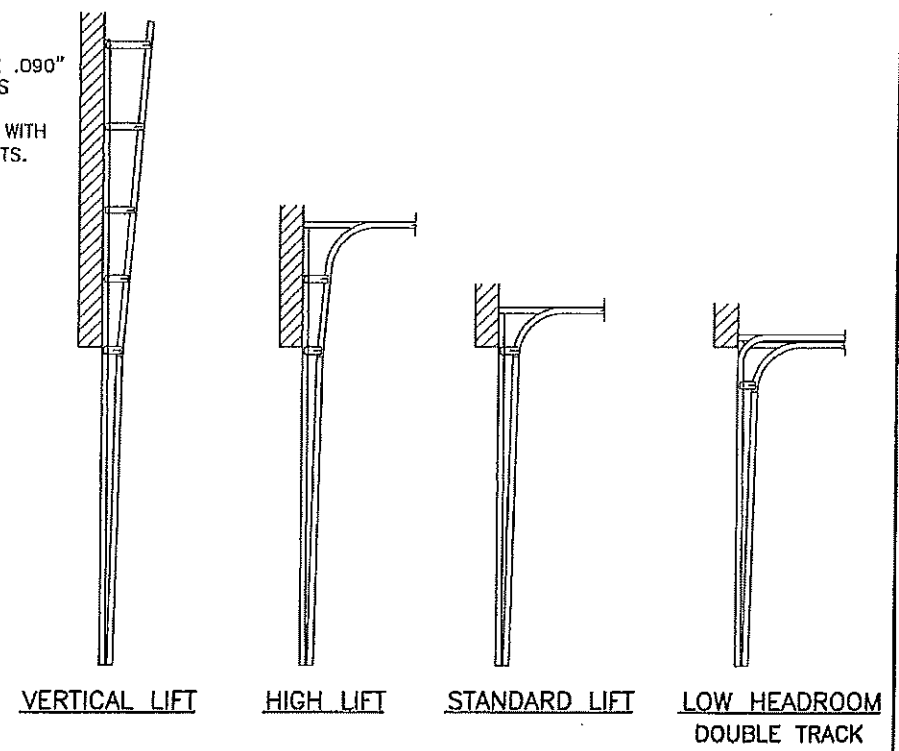
drawing no.  
**05-03**  
sheet 2 of 5



SECTION A-A  
SEE SHEET 2 FOR LOCATION OF REINFORCING TRUSSES

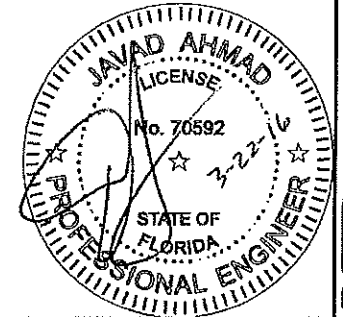
DOOR HEIGHT	* SECTION HEIGHTS					BRACKET PLACEMENTS							
	1ST	2ND	3RD	4TH	5TH	B1	B2	B3	B4	B5	B6	B7	B8
6'-0"	18"	18"	18"	18"	N/A	1" TO 2"	11-3/4"	23"	34"	45"	56"	67"	-
6'-6"	21"	18"	18"	21"	N/A	1" TO 2"	11-3/4"	23"	34"	45"	56"	67"	-
7'-0"	21"	21"	21"	21"	N/A	1" TO 2"	11-3/4"	23"	34"	45"	56"	67"	-
7'-6"	18"	18"	18"	18"	18"	1" TO 2"	11-3/4"	23"	34"	45"	56"	67"	78-1/4"
8'-0"	21"	18"	18"	18"	21"	1" TO 2"	11-3/4"	23"	34"	45"	56"	67"	78-1/4"

\*-SECTIONS ARE NUMBERED STARTING AT THE BOTTOM FOR DOORS MORE THAN 8 FT. HIGH, USE ADDITIONAL TRACK BRACKETS AT 10" O.C.



AVAILABLE TRACK OPTIONS

**PRODUCT RENEWED**  
as complying with the Florida Building Code  
NOA-No. **16-0330.01**  
Expiration Date **03/29/2022**  
By *[Signature]*  
Miami-Dade Product Control

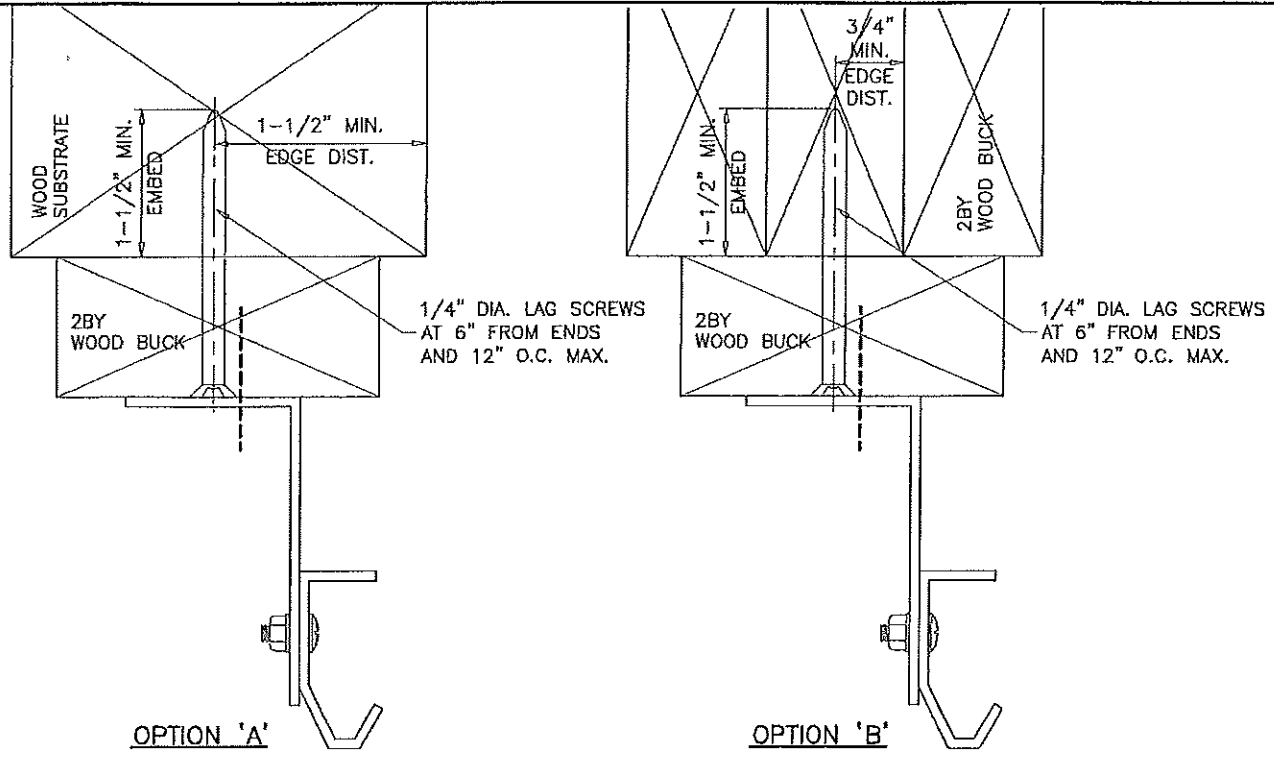


**AL-FAROOQ CORPORATION**  
ENGINEERS & PRODUCT DEVELOPMENT  
9360 SUNSET DRIVE, SUITE 220  
MIAMI, FLORIDA 33173  
TEL. (305) 264-8100 FAX. (305) 262-6978  
GARAGE\05-03DAB

SECTIONAL GARAGE DOOR  
**DAB DOORS INC.**  
12,195 N.W. 98 TH. AVE.  
HIALEAH GARDENS, FL. 33018  
TEL. (305) 556 - 6824

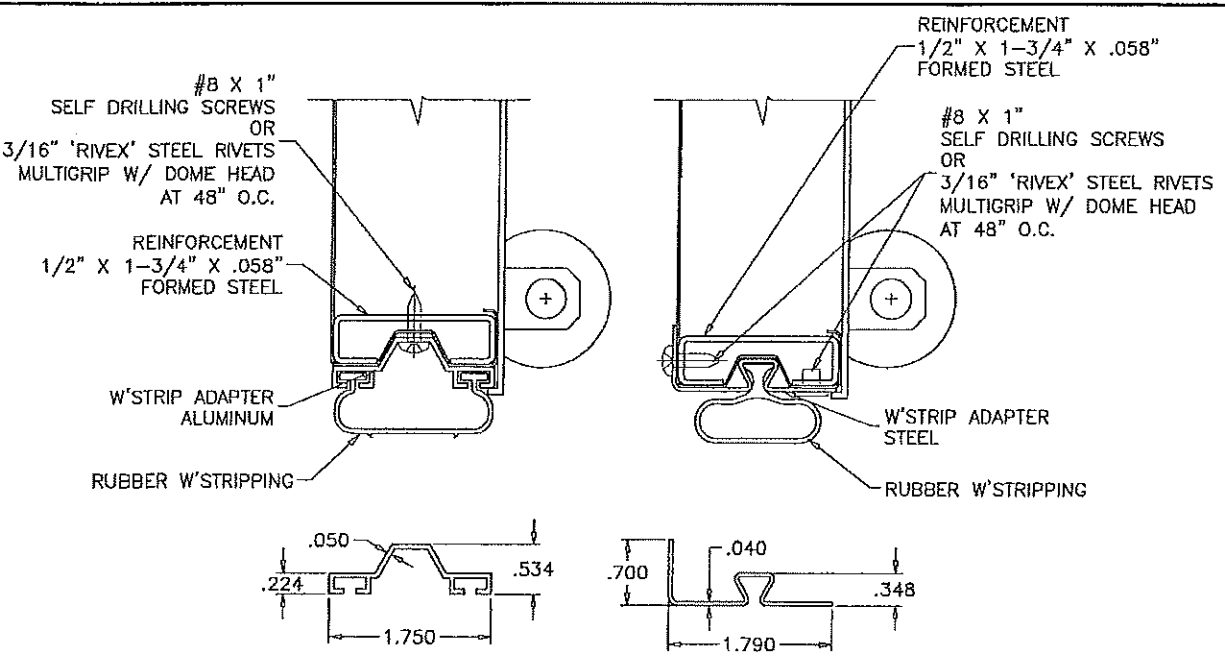
NO	DATE	DESCRIPTION
E	09.16.14	FOAM NOA REV.
F	11.03.14	NO CHANGE THIS SHEET
G	03.05.15	BOTTOM SEAL OPTION ADDED
H	03.21.16	INSULATION UPDATED

revisions:  
date: 05-16-05  
scale:  
dr. by: HAMID  
chk. by:  
drawing no. **05-03**  
sheet 3 of 5



**WOOD BUCK CONNECTION TO WOOD SUBSTRATE (WOOD SPECIFIC GRAVITY SG=0.55 MIN.)**

THE INSTALLATION METHODS SHOWN ABOVE SHOWS 2X6 SYP WOOD BUCK ATTACHMENT TO WOOD STRUCTURES. IF THESE METHODS ARE FOLLOWED NO ADDITIONAL CALCULATIONS/DESIGN WILL BE REQUIRED FOR DESIGN OF GARAGE DOOR ANCHORAGE. FOR DOOR REPLACEMENT APPLICATIONS WITH NO ENGINEER OF RECORD, INSTALLATION MAY BE VERIFIED AND APPROVED BY THE BUILDING OFFICIAL UPON INSPECTION.

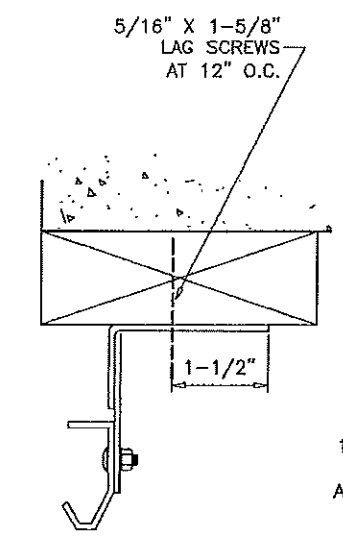


**BOTTOM SEAL OPTIONS**

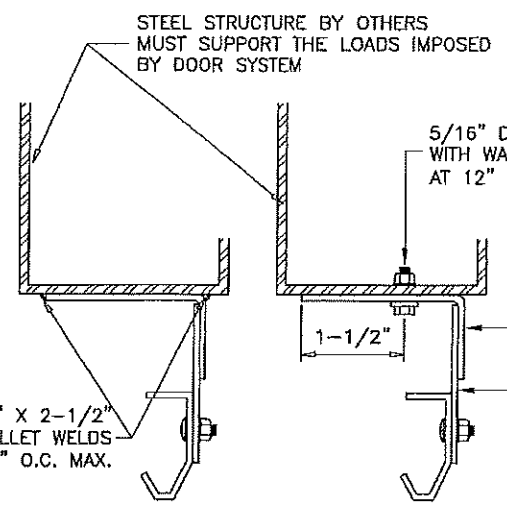
**WOOD BUCK CONNECTION TO MASONRY**

PRESSURE TREATED 2X6 SYP WOOD JAMBS WHICH SHALL BE ANCHORED TO GROUTED REINFORCED MASONRY BLOCK WALL OR CONC. COLUMN WITH

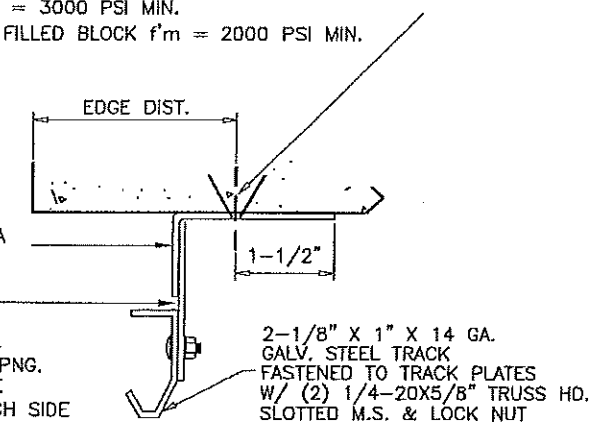
- 1/4" ULTRACON BY 'ELCO' WITH SPACING OF 10" O.C. INTO GROUT FILLED BLOCK WALL, WITH 2-1/4" MIN. EMBED 10" O.C. INTO 3000 PSI CONCRETE, WITH 1-3/4" MIN. EMBED 3" MIN. EDGE DISTANCE
- 1/4" TAPPER BY 'POWERS' WITH SPACING OF 8" O.C. INTO GROUT FILLED BLOCK WALL, WITH 1-1/2" MIN. EMBED 10" O.C. INTO 3000 PSI CONCRETE, WITH 1-3/4" MIN. EMBED 3" MIN. EDGE DISTANCE
- 3/8" CONFLEX BY 'ELCO' OR 3/8" LDT BY 'ITW' WITH SPACING OF 22" O.C. INTO 3000 PSI CONCRETE, WITH 2-1/2" MIN. EMBED 3" MIN. EDGE DISTANCE
- 3/8" HLC SLEEVE BY 'HILTI' WITH SPACING OF 8" O.C. INTO GROUT FILLED BLOCK WALL, WITH 1-1/4" MIN. EMBED, 4" MIN. EDGE DIST. 12" O.C. INTO 3000 PSI CONCRETE, WITH 1-1/4" MIN. EMBED AND 2-1/2" MIN. EDGE DISTANCE



**CONTINUOUS ANGLE TRACK TO WOOD BUCK**



**REVERSE TRACK TO STEEL**



**CONTINUOUS ANGLE TRACK TO CONCRETE AND FILLED BLOCK**

**ALTERNATE TRACK INSTALLATION**

ANCHOR SPACING				
ANCHORS	STRUCTURE	EMBED	SPACING	EDGE DIST.
3/8" HLC SLEEVE BY 'HILTI'	CONC.	1-1/4"	8"	2"
3/8" CONFLEX BY 'ELCO'	FILLED BLOCK	2"	8"	3-3/4"
3/8" DYNABOLT BY 'ITW'	CONC.	1-1/2"	8"	2-3/4"
3/8" POWER-BOLT BY 'POWERS'	CONC.	2"	8"	2"
3/8" SLEEVE-ALL BY 'SIMPSONS'	CONC.	1-1/2"	8"	3"

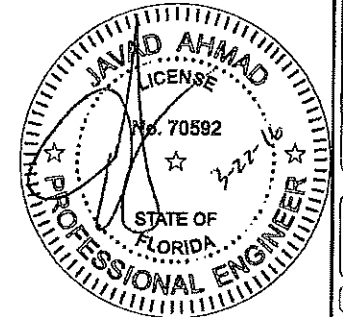
CONCRETE  $f'_c = 3000$  PSI MIN.  
C-90 GROUT FILLED BLOCK  $f'_m = 2000$  PSI MIN.

**PREPARATION OF JAMBS BY OTHERS**

FOR NEW CONSTRUCTION ENGINEER OF RECORD OR ARCHITECT TO VERIFY ADEQUACY OF SUPPORTING STRUCTURE TO SUPPORT LOADS IMPOSED BY DOOR SYSTEM. FOR DOOR REPLACEMENT IN RETROFIT BUILDINGS WITH NO ENGINEER OF RECORD, DOOR INSTALLATION MAY BE REVIEWED AND APPROVED BY BUILDING OFFICIAL UPON INSPECTION.

MAXIMUM EXTERIOR(+) LOAD PER JAMB =  $(18.16' \times 40 \text{ PSF})/2 = 363.2$  Lbs per Ft.  
MAXIMUM INTERIOR(-) LOAD PER JAMB =  $(18.16' \times 44 \text{ PSF})/2 = 399.5$  Lbs per Ft.

**PRODUCT RENEWED**  
as complying with the Florida Building Code  
NOA-No. **16-0330.01**  
Expiration Date **03/29/2022**  
By *[Signature]*  
Miami-Dade Product Control



**af c**  
**AL-FAROOQ CORPORATION**  
ENGINEERS & PRODUCT DEVELOPMENT  
9360 SUNSET DRIVE, SUITE 220  
MIAMI, FLORIDA 33173 (C.A.N. 3538)  
TEL. (305) 264-8100 FAX. (305) 262-6978  
GARAGE 05-03DAB

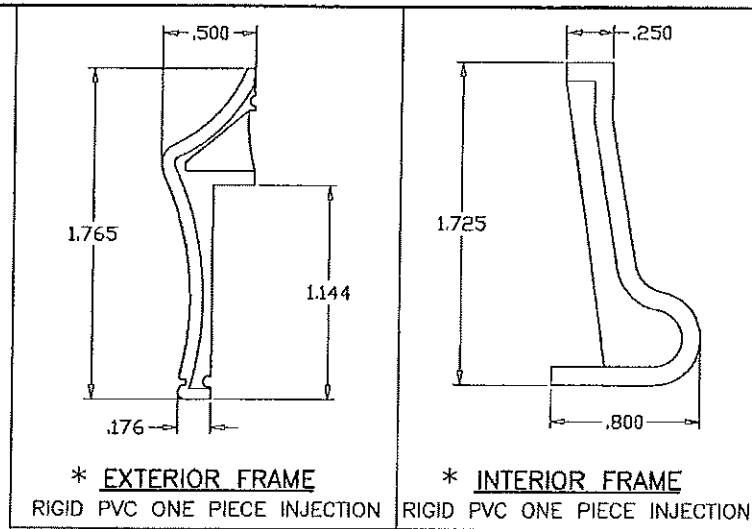
SECTIONAL GARAGE DOOR  
**DAB DOORS INC.**  
12195 N.W. 98 TH. AVE.  
HIALEAH GARDENS, FL. 33018  
TEL (305) 556 - 6824

no	date	description
E	09.16.14	ANCHORS REVISED
F	11.03.14	REV. PER RER COMMENTS
G	03.05.15	BOTTOM SEAL OPTION ADDED
H	03.21.16	NO CHANGE THIS SHEET

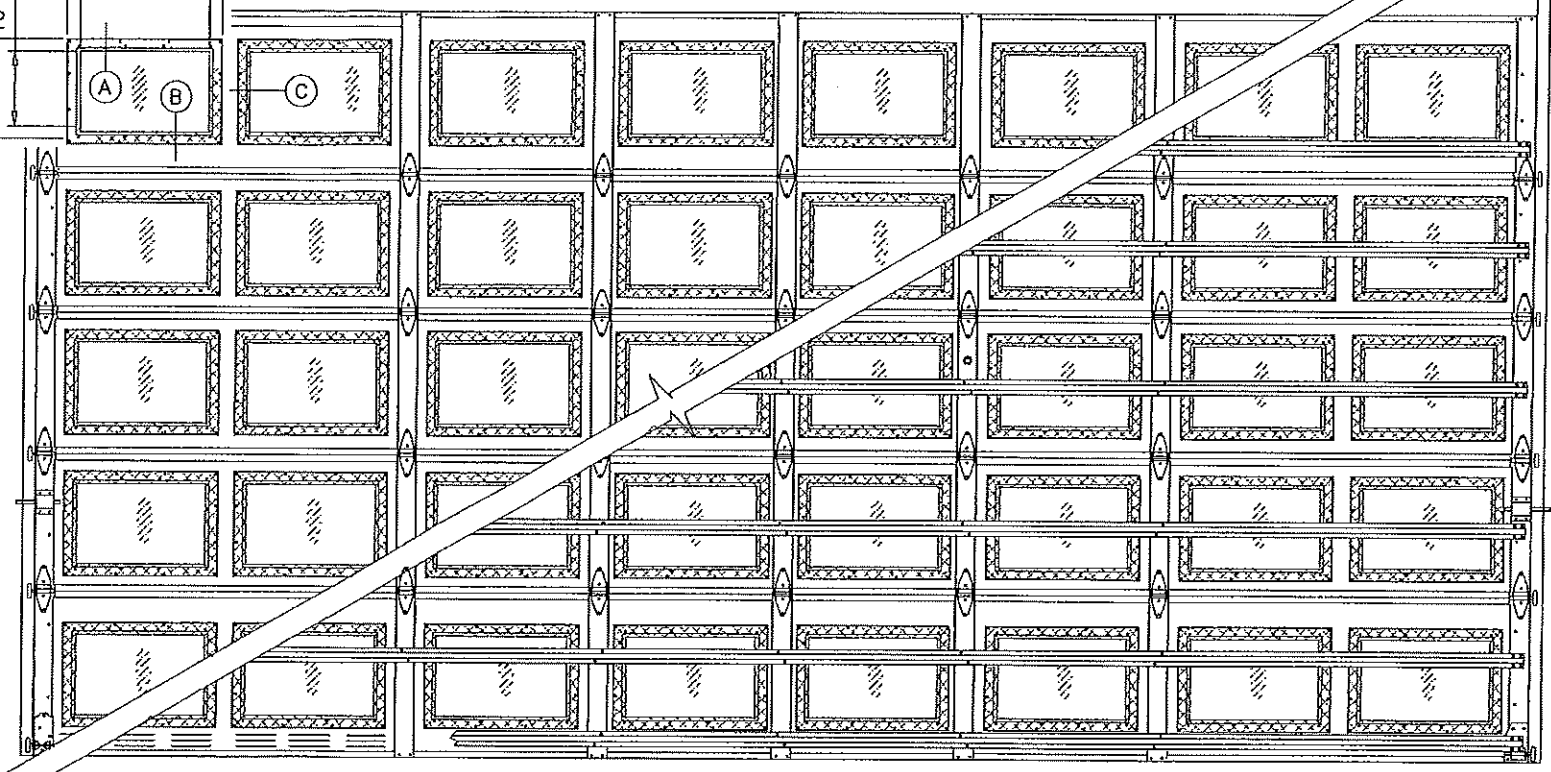
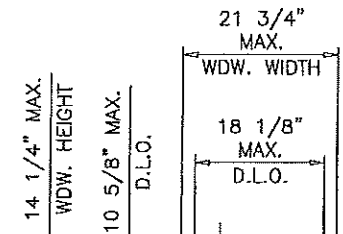
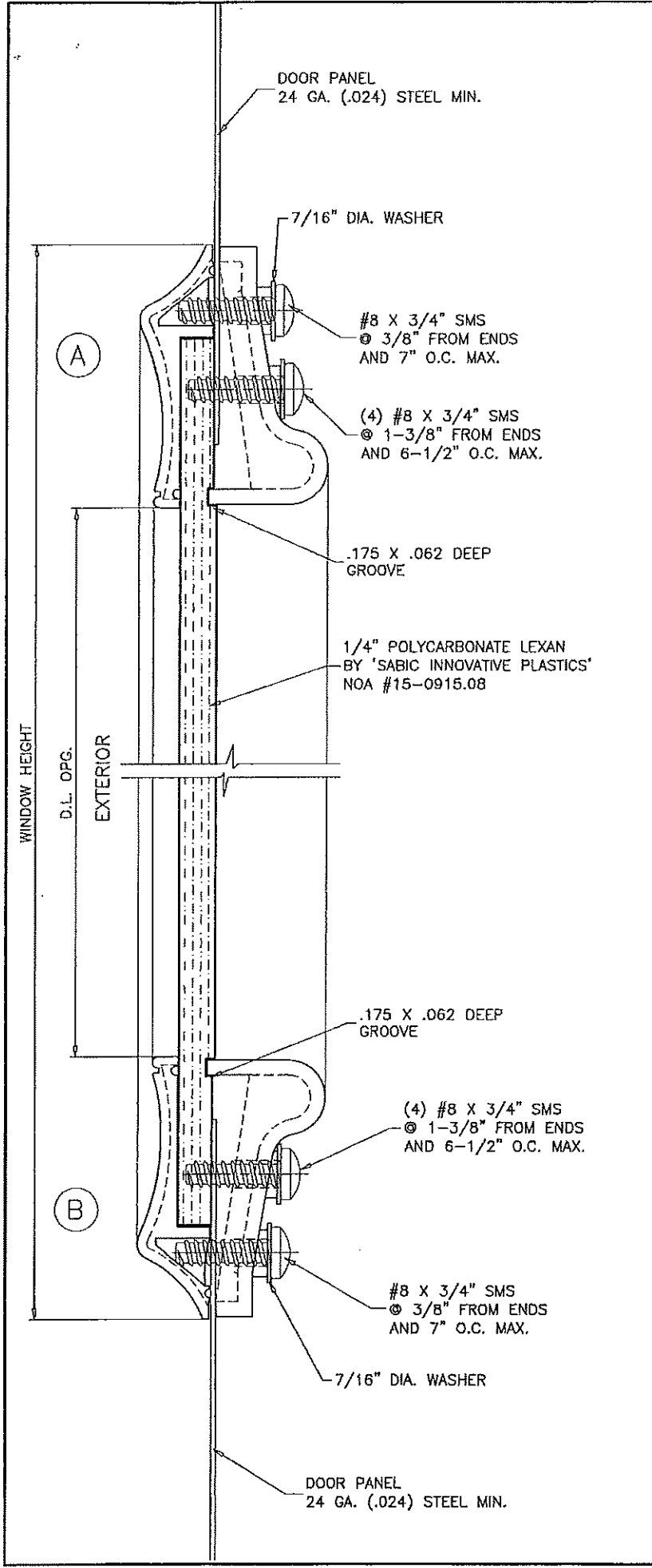
date: 05-16-05  
scale:  
dr. by: HAMID  
chk. by:  
drawing no. **05-03**  
sheet 4 of 5



\* PLASTIC COMPLIES WITH CHAPTER 26 OF FBC SEE EVIDENCE PAGE

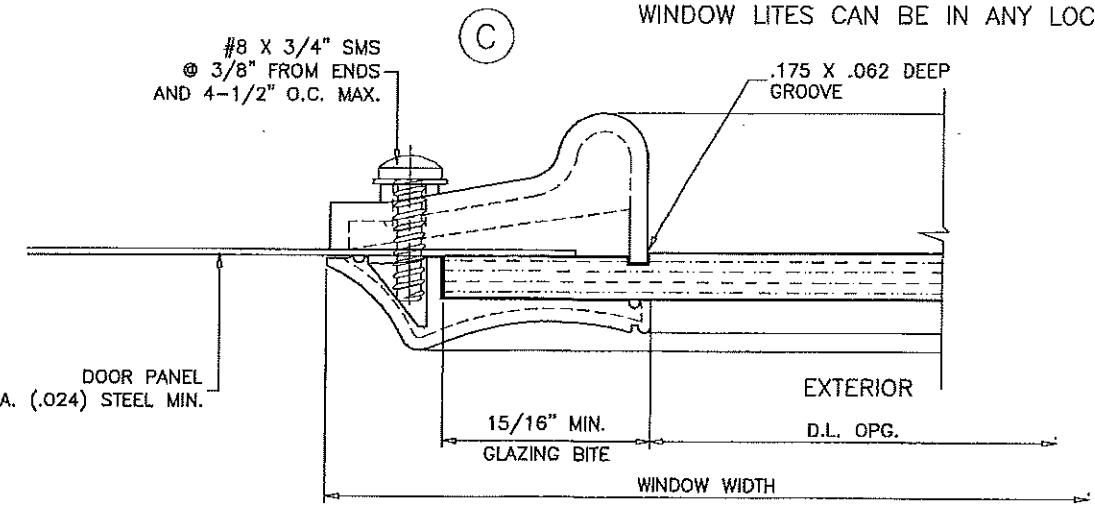


\* EXTERIOR FRAME RIGID PVC ONE PIECE INJECTION  
\* INTERIOR FRAME RIGID PVC ONE PIECE INJECTION

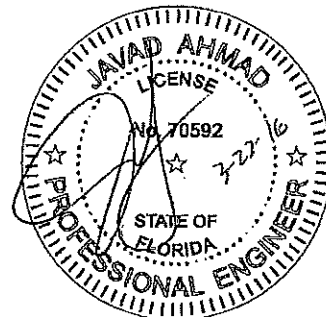


**INSIDE ELEVATION**

RAISED PANEL EMBOSSED DOOR WITH OPTIONAL WINDOWS  
WINDOW LITES CAN BE IN ANY LOCATION IN DOOR SECTION



**PRODUCT RENEWED**  
as complying with the Florida Building Code  
NOA-No. **16-0330.01**  
Expiration Date **03/29/2022**  
By *[Signature]*  
Miami-Dade Product Control



**afc**  
**AL-FAROOQ CORPORATION**  
ENGINEERS & PRODUCT DEVELOPMENT  
9360 SUNSET DRIVE, SUITE 220  
MIAMI, FLORIDA 33173 (C.A.N. 3538)  
TEL. (305) 264-8100 FAX. (305) 262-6978  
GARAGE\05-03DAB

SECTIONAL GARAGE DOOR  
**DAB DOORS INC.**  
12195 N.W. 98 TH. AVE.  
HIALEAH GARDENS, FL. 33018  
TEL. (305) 556 - 6624

NO.	DATE	DESCRIPTION	BY
E	09.16.14	NO CHANGE THIS SHEET	
F	11.03.14	REV. PER RER COMMENTS	
G	03.05.15	NO CHANGE THIS SHEET	
H	03.21.16	LEXAN UPDATED	

date:	05-18-05
scale:	
dr. by:	HAMID
chk. by:	

drawing no.  
**05-03**  
sheet 5 of 5