



DEPARTMENT OF REGULATORY AND ECONOMIC RESOURCES (RER)
 BOARD AND CODE ADMINISTRATION DIVISION

MIAMI-DADE COUNTY
 PRODUCT CONTROL SECTION

11805 SW 26 Street, Room 208
 Miami, Florida 33175-2474
 T (786) 315-2590 F (786) 315-2599

www.miamidade.gov/economy

NOTICE OF ACCEPTANCE (NOA)

Southeastern Metals Manufacturing Co., Inc.
11801 Industry Drive
Jacksonville, FL 32218

SCOPE:

This NOA is being issued under the applicable rules and regulations governing the use of construction materials. The documentation submitted has been reviewed and accepted by Miami-Dade County RER - Product Control Section to be used in Miami-Dade County and other areas where allowed by the Authority Having Jurisdiction (AHJ).

This NOA shall not be valid after the expiration date stated below. The Miami-Dade County Product Control Section (in Miami-Dade County) and/or the AHJ (in areas other than Miami-Dade County) reserve the right to have this product or material tested for quality assurance purposes. If this product or material fails to perform in the accepted manner, the manufacturer will incur the expense of such testing and the AHJ may immediately revoke, modify, or suspend the use of such product or material within their jurisdiction. RER reserves the right to revoke this acceptance, if it is determined by Miami-Dade County Product Control Section that this product or material fails to meet the requirements of the applicable building code.

This product is approved as described herein, and has been designed to comply with the Florida Building Code including the High Velocity Hurricane Zone of the Florida Building Code.

DESCRIPTION: 5-V Crimp Metal Roofing Panel System

LABELING: Each unit shall bear a permanent label with the manufacturer's name or logo, city, state and following statement: "Miami-Dade County Product Control Approved", unless otherwise noted herein.

RENEWAL of this NOA shall be considered after a renewal application has been filed and there has been no change in the applicable building code negatively affecting the performance of this product.

TERMINATION of this NOA will occur after the expiration date or if there has been a revision or change in the materials, use, and/or manufacture of the product or process. Misuse of this NOA as an endorsement of any product, for sales, advertising or any other purposes shall automatically terminate this NOA. Failure to comply with any section of this NOA shall be cause for termination and removal of NOA.

ADVERTISEMENT: The NOA number preceded by the words Miami-Dade County, Florida, and followed by the expiration date may be displayed in advertising literature. If any portion of the NOA is displayed, then it shall be done in its entirety.

INSPECTION: A copy of this entire NOA shall be provided to the user by the manufacturer or its distributors and shall be available for inspection at the job site at the request of the Building Official.

This NOA renews NOA No.11-0714.08 and consists of pages 1 through 5.
 The submitted documentation was reviewed by Gaspar J Rodriguez.



NOA No.: 16-0510.23
Expiration Date: 11/08/21
Approval Date: 06/30/16
Page 1 of 5

ROOFING SYSTEM APPROVAL

Category: Roofing
Sub-Category: Non-Structural Metal Roofing
Material: Steel
Maximum Design Pressure: -180 PSF

TRADE NAMES OF PRODUCTS MANUFACTURED OR LABELED BY APPLICANT:

<u>Product</u>	<u>Dimensions</u>	<u>Test Specifications</u>	<u>Product Description</u>
5V Crimp Metal Roof Panels	Length : various Height : $\frac{7}{16}$ " Width: 25 $\frac{1}{2}$ " (Coverage width: 24") Thickness : 0.0217 Yield Strength: Min.53ksi	TAS 125	Corrosion resistant, galvalume or galvanized performed, Kynar or SuperL II coated, pre-finished, metal panels.

MANUFACTURING LOCATION:

1. Jacksonville, FL

EVIDENCE SUBMITTED:

<u>Test Agency</u>	<u>Test Identifier</u>	<u>Test Name/Report</u>	<u>Date</u>
PRI Construction Materials Technologies	SEM-011-02-05	TAS-125	11/23/10
PRI Construction Materials Technologies	SEM-011-02-07	ASTM E 8	05/07/12
Farabaugh Engineering and Testing, Inc.	T270-07	TAS-100	08/24/07
Farabaugh Engineering and Testing, Inc.	T166-07	TAS-100	04/15/07
Force Engineering & Testing, Inc.	188-0331T-06A-C	TAS-125	02/26/07
Hurricane Test Laboratory, LLC.	0041-0906-07	TAS-125	09/12/07
BASF	Accelerated Weathering	ASTM G 154	07/12/07
BASF	Salt Spray	ASTM B 117	07/12/07



NOA No.: 16-0510.23
Expiration Date: 11/08/21
Approval Date: 06/30/16
Page 2 of 5

APPROVED ASSEMBLIES:

System: "5V-Crimp" Metal Panels
Deck Type: Wood, Non-insulated
Deck Description: 19/32" or greater plywood or wood plank.
Slope Range: 2":12" or greater
Maximum Uplift Pressure: See Table A Below

Deck Attachment: In accordance with applicable building code, but in no case it shall be less than 8d annular ring shank nails spaced at 6" o.c. In re-roofing, where deck is less than 19/32" thick (minimum 15/32") the above attachment method must be in addition to existing attachment.

Underlayment: Minimum underlayment shall be an ASTM D 226 Type II installed with a minimum 4" side-lap and 6" end-laps. Underlayment shall be fastened with corrosion resistant tin-caps and 12 gauge 1-1/4" annular ring-shank nails, spaced 6" o.c. at all laps and two staggered rows 12" o.c. in the field of the roll. Or, any approved underlayment having a current NOA.

Valleys: Valley construction shall be in compliance with Roofing Application Standard RAS 133 and with current published installation instructions and details in Southeastern Metal Manufacturing Metal Roofing Installation Manual.

Fire Barrier Board: Any approved fire barrier having a current NOA. Refer to a current fire directory listing for fire ratings of this roofing system assembly as well as the location of the fire barrier within the assembly. See Limitation # 1.

Metal Panels and Accessories: Install the "5V-Crimp Panels" and accessories in compliance with the current published installation instructions and details in Southeastern Metals Manufacturing Company's Installation Manual. Flashings, penetrations, valley construction and other details shall be constructed in compliance with Roofing Application Standard RAS133.

1. At the eave, rake, and ridge, fasteners shall be located not more than 3" away from the panel end.
2. The leading side edge of the panel should be the side with the anti-siphon groove; each panel side will overlap this channel to provide a capillary brake.
3. The panels shall be fastened with metal roofing sealing washer screws with dimensions as listed below in **Table A**, in the crown of the inverted V ribs as shown in the details herein.
4. The panel's width fasteners shall be spaced at 11 1/2" to the center rib, Then 12 1/2" to the next, perpendicular to the slope, through the overlapping panel. The flat area of the panel as shown in the details herein.
5. The panels fastening pattern at the interior of the panel, shall be in rows spaced as listed in **Table A** below, running parallel to the slope of the roof.

Table A			
Maximum Design Pressure			
	Field	Perimeter and Corner¹	Perimeter and Corner¹
Maximum Design Pressure	-67.25 PSF	-154.75 PSF	-180 PSF
Fastener Type	#9 x 2"	#9 x 2"	#10-14 x 2-1/2"
Maximum Fastener Spacing	16" OC	8" OC	8" OC
1. Extrapolation shall not be allowed			



LIMITATIONS

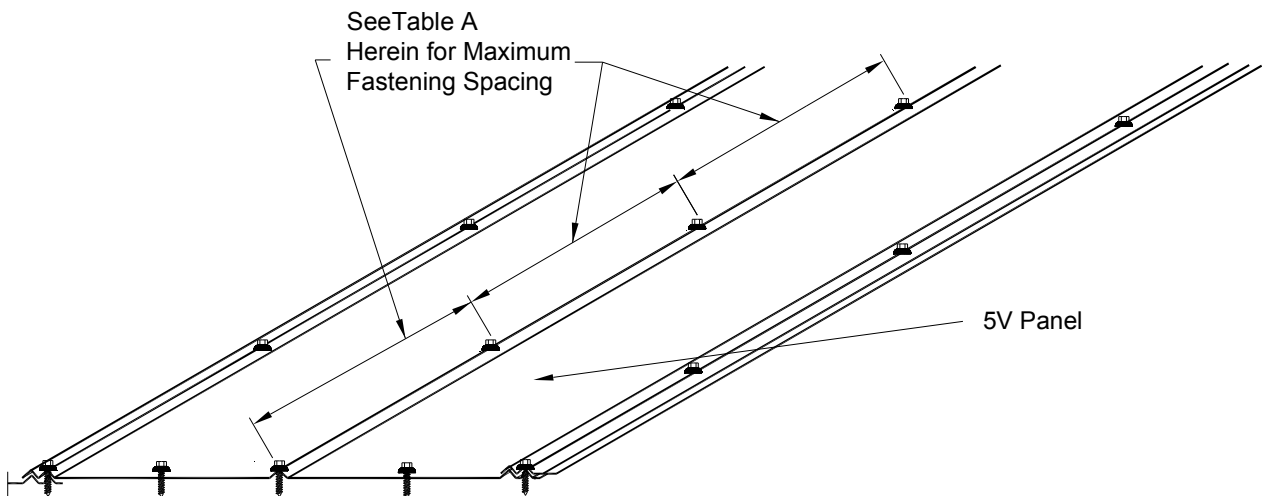
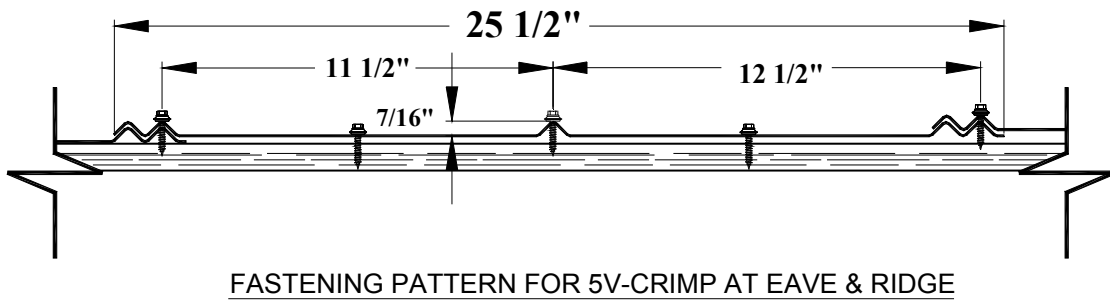
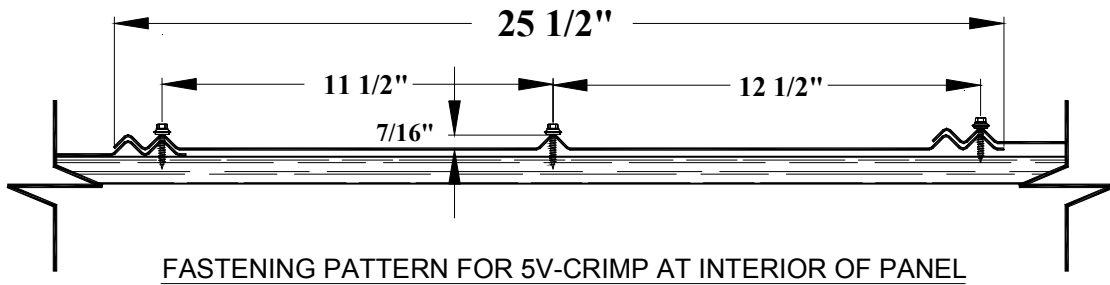
1. Fire classification is not part of this acceptance; refer to a current Approved Roofing Materials Directory for fire ratings of this product.
2. The maximum designed pressure listed herein shall be applicable to all roof pressure zones (i.e. field, perimeters, and corners). Neither rational analysis, nor extrapolation shall be permitted for enhanced fastening at enhanced pressure zones (i.e. perimeters, extended corners and corners).
3. Panels may be rolls formed in continuous lengths from eave to ridge. Maximum lengths shall be as described in Roofing Application Standard RAS 133
4. All panels shall be permanently labeled with the manufacturer's name and/or logo, and the following statement: "Miami-Dade County Product Control Approved" **or** with the Miami-Dade County Product Control Seal as seen below. All clips shall be permanently labeled with the manufacturer's name and/or logo, and/or model.



5. All products listed herein shall have a quality assurance audit in accordance with the Florida Building Code and Rule 61G20-3 of the Florida Administrative Code.



"5-V CRIMP" METAL ROOF PANELS



END OF THIS ACCEPTANCE



NOA No.: 16-0510.23
Expiration Date: 11/08/21
Approval Date: 06/30/16
Page 5 of 5