



DEPARTMENT OF REGULATORY AND ECONOMIC RESOURCES (RER)
BOARD AND CODE ADMINISTRATION DIVISION

MIAMI-DADE COUNTY
PRODUCT CONTROL SECTION
11805 SW 26 Street, Room 208
Miami, Florida 33175-2474
T (786) 315-2590 F (786) 315-2599
www.miamidade.gov/economy

NOTICE OF ACCEPTANCE (NOA)

Berridge Manufacturing Co.
1720 Maury
Houston, TX. 77026-7199

SCOPE:

This NOA is being issued under the applicable rules and regulations governing the use of construction materials. The documentation submitted has been reviewed and accepted by Miami-Dade County RER - Product Control Section to be used in Miami-Dade County and other areas where allowed by the Authority Having Jurisdiction (AHJ).

This NOA shall not be valid after the expiration date stated below. The Miami-Dade County Product Control Section (in Miami-Dade County) and/or the AHJ (in areas other than Miami-Dade County) reserve the right to have this product or material tested for quality assurance purposes. If this product or material fails to perform in the accepted manner, the manufacturer will incur the expense of such testing and the AHJ may immediately revoke, modify, or suspend the use of such product or material within their jurisdiction. RER reserves the right to revoke this acceptance, if it is determined by Miami-Dade County Product Control Section that this product or material fails to meet the requirements of the applicable building code.

This product is approved as described herein, and has been designed to comply with the Florida Building Code including the High Velocity Hurricane Zone of the Florida Building Code.

DESCRIPTION: Berridge Cee-Lock 22 Gauge Steel Roof Panel

LABELING: Each unit shall bear a permanent label with the manufacturer's name or logo, city, state and following statement: "Miami-Dade County Product Control Approved", unless otherwise noted herein.

RENEWAL of this NOA shall be considered after a renewal application has been filed and there has been no change in the applicable building code negatively affecting the performance of this product.

TERMINATION of this NOA will occur after the expiration date or if there has been a revision or change in the materials, use, and/or manufacture of the product or process. Misuse of this NOA as an endorsement of any product, for sales, advertising or any other purposes shall automatically terminate this NOA. Failure to comply with any section of this NOA shall be cause for termination and removal of NOA.

ADVERTISEMENT: The NOA number preceded by the words Miami-Dade County, Florida, and followed by the expiration date may be displayed in advertising literature. If any portion of the NOA is displayed, then it shall be done in its entirety.

INSPECTION: A copy of this entire NOA shall be provided to the user by the manufacturer or its distributors and shall be available for inspection at the job site at the request of the Building Official.

This NOA renews NOA# 10-1018.04 and consists of pages 1 through 5.
The submitted documentation was reviewed by Alex Tigera.



NOA No.: 16-1205.03
Expiration Date: 01/19/22
Approval Date: 01/19/17
Page 1 of 5

ROOFING ASSEMBLY APPROVAL:

| | |
|--------------------------------|------------------------------|
| Category: | Roofing |
| Sub-Category: | Non-Structural Metal Roofing |
| Material: | Steel |
| Deck Type: | Steel |
| Maximum Design Pressure | -183.5 psf |

TRADE NAMES OF PRODUCTS MANUFACTURED OR LABELED BY APPLICANT:

| <u>Product</u> | <u>Dimensions</u> | <u>Test Specifications</u> | <u>Product Description</u> |
|----------------------------------|---|----------------------------|--|
| Berridge Cee-Lock Panel | L= various W = 16-1/2" Thickness 22ga. (.032") Yield Strength: 50.3ksi | TAS 125 | G-90 galvanized or AZ-55 galvalume panels coated with various approved coatings Fluoropon, Kynar, or Hylar |
| Berridge Continuous Cee-Rib Clip | L= continuous W = 1-3/8" High = 1-7/16" Thickness. 22ga (.032") | TAS 125 | G-90 galvanized clips coated with various approved coatings Fluoropon, Kynar, or Hylar |

MANUFACTURING LOCATIONS:

1. Houston, TX.
2. San Antonio, TX.
3. Seguin, TX.

EVIDENCE SUBMITTED:

| <u>Test Agency</u> | <u>Test Identifier</u> | <u>Test Name/Report</u> | <u>Date</u> |
|---|------------------------|-------------------------|-------------|
| Valspar | Lab Form | ASTM B 117 | 03/16/05 |
| | Lab Form | ASTM G 23 | 03/16/05 |
| Force Engineering & Testing Inc. | 49-0347T-08A & B | TAS 125 | 02/02/09 |
| | 49-0116T-10A | TAS 125 | 04/30/10 |
| PRI Construction Materials Technologies | BMC-011-02-01 | TAS 100 | 05/06/11 |



APPROVED ASSEMBLIES:

System: Cee-Lock Metal Roof Panel
Deck Type: 22 ga. Steel, Insulated
Deck Description: Type B Steel Deck
Slope Range: 2": 12" or greater
Maximum Uplift Pressure: See Table A below

Deck Attachment: Minimum 22 gage steel deck shall be secured 6" o.c. to structural supports spaced a maximum distance 5' o.c., with one (1) #12 x 1-1/4" HWH self drilling screws fastened at the bottom of each flute (6" o.c.). Deck sidelaps shall be fastened 12" o.c. with #14 x 7/8" HWH self drilling screws.

Insulation: Minimum 4" – 6" thick approved rigid polyiso insulation with current NOA having a minimum 25psi compressive strength fastened with approved #14 pancake head screws long enough to penetrate the steel deck through 3" diameter insulation plates. Fastening density shall be in compliance with applicable Building Code and Roofing Application Standard RAS 117.

Underlayment: Minimum underlayment shall be an ASTM D 226 Type II installed with a minimum 4" side-lap and 6" end-laps. Underlayment shall be fastened with corrosion resistant tin-caps and fasteners, spaced 6" o.c. at all laps and two staggered rows 12" o.c. in the field of the roll or any approved underlayment having a current NOA.

Fire Barrier Board: Any approved fire barrier having a current NOA. Refer to a current fire directory listing for fire ratings of this roofing system assembly as well as the location of the fire barrier within the assembly. See Limitation # 1.

Valleys: Valley construction shall be in compliance with Roofing Application Standard RAS 133 and with the current published installation instructions and details in Berridge Manufacturing Company's current published installation manual.

Metal Panels and Accessories: Install the "Cee-Lock Panel" and accessories in compliance with Berridge Manufacturing Company's current, published installation instructions and in compliance with the minimum requirements detailed in Roofing Application Standard RAS 133.

Each roof panel shall be secured along the male rib with approved continuous clips. Clips shall be attached to the substrate with one (1) DPI Concealor by TFC, #14-13 corrosion resistant screw of sufficient length to penetrate through the bottom flange of the steel deck a minimum of 3/4" at a spacing listed below in Table A. The female rib of panel is installed over the male rib of panel.

| TABLE A MAXIMUM DESIGN PRESSURES | | |
|---|-----------------|---|
| Roof Areas | Field | Perimeter and Corner¹ |
| Maximum Design Pressures | -131 psf | -183.5 psf |
| Maximum Clip Spacing | 16" o.c. | 8" o.c. |

1. Extrapolation shall not be allowed



SYSTEM LIMITATIONS

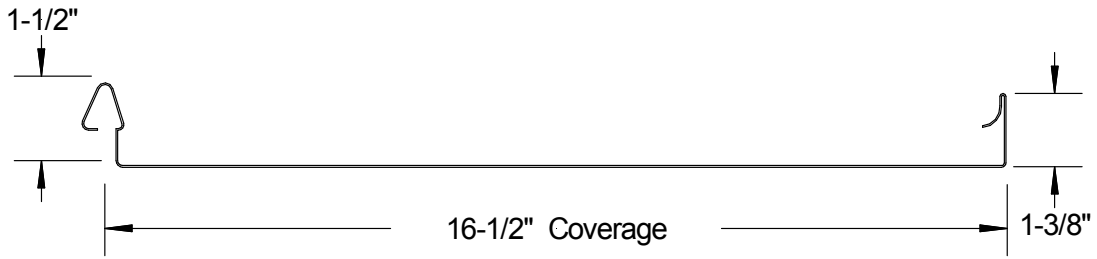
1. Fire classification is not part of this acceptance; refer to a current Approved Roofing Materials Directory for fire ratings of this product.
2. The maximum designed pressure listed herein shall be applicable to all roof pressure zones (i.e. field, perimeters, and corners). Neither rational analysis, nor extrapolation shall be permitted for enhanced fastening at enhanced pressure zones (i.e. perimeters, extended corners and corners).
3. Panels may be rolls formed in continuous lengths from eave to ridge. Maximum lengths shall be as described in Roofing Application Standard RAS 133
4. All panels shall be permanently labeled with the manufacturer's name and/or logo, and the following statement: "Miami-Dade County Product Control Approved" **or** with the Miami-Dade County Product Control Seal as seen below. All clips shall be permanently labeled with the manufacturer's name and/or logo, and/or model.



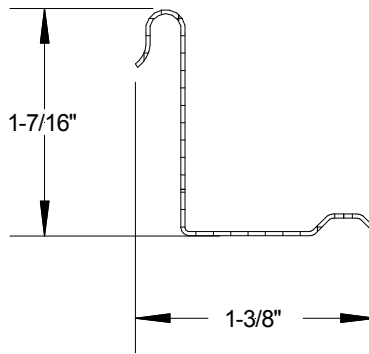
5. All products listed herein shall have a quality assurance audit in accordance with the Florida Building Code and Rule 61G20-3 of the Florida Administrative Code.



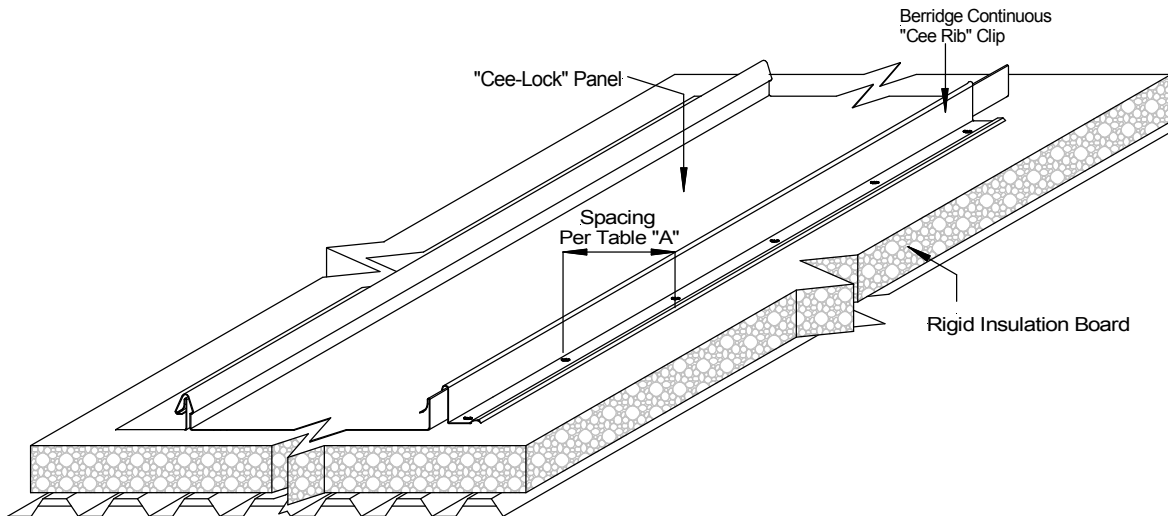
DRAWINGS



TYPICAL "CEE-LOCK" PANEL



CONTINUOUS "CEE-RIB" PANEL CLIP



"CEE-LOCK" PANEL ATTACHED TO STEEL DECK
TYPICAL ASSEMBLY ISOMETRIC VIEW
END OF THIS ACCEPTANCE