



DEPARTMENT OF REGULATORY AND ECONOMIC RESOURCES (RER)
BOARD AND CODE ADMINISTRATION DIVISION

MIAMI-DADE COUNTY
PRODUCT CONTROL SECTION
11805 SW 26 Street, Room 208
Miami, Florida 33175-2474
T (786) 315-2590 F (786) 315-2599
www.miamidade.gov/economy

NOTICE OF ACCEPTANCE (NOA)

Firestone Building Products Company, LLC.
250 W 96th Street
Indianapolis, IN. 46260

SCOPE:

This NOA is being issued under the applicable rules and regulations governing the use of construction materials. The documentation submitted has been reviewed and accepted by Miami-Dade County RER - Product Control Section to be used in Miami Dade County and other areas where allowed by the Authority Having Jurisdiction (AHJ).

This NOA shall not be valid after the expiration date stated below. The Miami-Dade County Product Control Section (In Miami Dade County) and/or the AHJ (in areas other than Miami Dade County) reserve the right to have this product or material tested for quality assurance purposes. If this product or material fails to perform in the accepted manner, the manufacturer will incur the expense of such testing and the AHJ may immediately revoke, modify, or suspend the use of such product or material within their jurisdiction. RER reserves the right to revoke this acceptance, if it is determined by Miami-Dade County Product Control Section that this product or material fails to meet the requirements of the applicable building code.

This product is approved as described herein, and has been designed to comply with the Florida Building Code including the High Velocity Hurricane Zone of the Florida Building Code.

DESCRIPTION: UC-3 Aluminum Standing Seam Metal Roof Panels on 22 ga. B-Deck

LABELING: Each unit shall bear a permanent label with the manufacturer's name or logo, city, state and following statement: "Miami-Dade County Product Control Approved", unless otherwise noted herein.

RENEWAL of this NOA shall be considered after a renewal application has been filed and there has been no change in the applicable building code negatively affecting the performance of this product.

TERMINATION of this NOA will occur after the expiration date or if there has been a revision or change in the materials, use, and/or manufacture of the product or process. Misuse of this NOA as an endorsement of any product, for sales, advertising or any other purposes shall automatically terminate this NOA. Failure to comply with any section of this NOA shall be cause for termination and removal of NOA.

ADVERTISEMENT: The NOA number preceded by the words Miami-Dade County, Florida, and followed by the expiration date may be displayed in advertising literature. If any portion of the NOA is displayed, then it shall be done in its entirety.

INSPECTION: A copy of this entire NOA shall be provided to the user by the manufacturer or its distributors and shall be available for inspection at the job site at the request of the Building Official.

This NOA consists of pages 1 through 5.

The submitted documentation was reviewed by Alex Tigera.



NOA No. 16-1212.02
Expiration Date: 02/15/23
Approval Date: 02/15/18
Page 1 of 5

ROOFING ASSEMBLY APPROVAL:

Category:	Roofing
Sub-Category:	Non-Structural Metal Roofing
Material:	Aluminum
Deck Type:	Steel
Maximum Design Pressure	-165 psf.

TRADE NAMES OF PRODUCTS MANUFACTURED OR LABELED BY APPLICANT:

<u>Product</u>	<u>Dimensions</u>	<u>Test Specifications</u>	<u>Product Description</u>
UC-3 Aluminum Standing Seam Metal Roof Panel	l = various w = 12", h = 1.50" Min. 0.040" thick Min. Yield Strength: 26.0 ksi	TAS 110	Aluminum Alloy 3003-H14
Trim Pieces	l = varies w = varies min.0.032" thick.	TAS 110	Standard flashing and trim pieces. Manufactured for each panel width.
Panel Clips	Clip base 0.88" wide x 0.63" high x 3" long 0.0149" thick Clip top 0.81" wide x 1.5" high x 0.0149" thick	TAS 125	Stainless Steel, corrosion resistant, two piece panel clip.
UC Bearing Plate	4" wide x 4" long x 0.0299" thick (22ga)	TAS 125	Stainless Steel, corrosion resistant, two piece panel clip.

APPROVED INSULATIONS:

TABLE 2

<u>Product Name</u>	<u>Product Description</u>	<u>Manufacturer (With Current NOA)</u>
ISO 95+ GL	Polyisocyanurate foam insulation	Firestone Bldg. Products
RESISTA	Polyisocyanurate foam insulation with a coated fiberglass facer	Firestone Bldg. Products
ISOGARD HD	Polyisocyanurate with a coated fiberglass facer	Firestone Bldg. Products
ISOGARD HD Composite	Polyisocyanurate with a coated fiberglass facer composite insulation.	Firestone Bldg. Products



MANUFACTURING LOCATION:

1. Anoka, MN

EVIDENCE SUBMITTED:

<u>Test Agency</u>	<u>Test Identifier</u>	<u>Test Name/Report</u>	<u>Date</u>
PRI Construction Materials Technologies	FBP-321-02-01 FBP-292-02-02	TAS 125 TAS 100	01/31/17 08/15/16
Valspar Corporation	435B187 435A871	ASTM G 23 ASTM B 117	



APPROVED ASSEMBLIES:

System: UC-3 Standing Seam 0.040", 12" wide Aluminum Roof Panels
Deck Type: Steel, Insulated
Deck Description: New Construction or Re-roof; 22 ga. (0.032" min.) G90 galvanized Steel B-Deck
Slope Range: 2": 12" or greater
Maximum Uplift Pressure: See Table A below

Deck Attachment: Deck shall be attached in accordance with applicable Building Code, but in no case shall it be less than 22 ga. Type B steel deck attached to structural supports spaced 5' o.c. with #12-24 HWH, DP5 screws at each flute. Deck laps shall be stitched 18" o.c. with 1/4" x 7/8" HWH screws.

Insulation: 1/2" thick approved rigid board insulation listed in Table 2 herein with current NOA having a minimum 18 psi compressive strength fastened with approved fasteners and plates. Fastening density shall be in compliance with applicable Building Code and Roofing Application Standard RAS 117

Underlayment: Minimum underlayment shall be an ASTM D 226 Type II installed with a minimum 4" side-lap and 6" end-laps. Underlayment shall be fastened with #12 x 4" truss head screws with insulation plate spaced 24" on center in the field of the roll and its perimeter. Or, any approved underlayment having a current NOA.

Fire Barrier: Any approved fire barrier having a current NOA. Refer to a current fire directory listing for fire ratings of this roofing system assembly as well as the location of the fire barrier within the assembly. See Limitation # 1.

Valleys: Valley construction shall be in compliance with Roofing Application Standard RAS 133 and with Firestone Building Products' current published installation instructions.

Metal Panels and Accessories: Install the "UC-3 Standing Seam 0.040" Aluminum Roof Panels" and accessories in compliance with Firestone Building Products' current, published installation instructions and details. Flashing, penetrations, valley construction and other details shall be constructed in compliance with the minimum requirements provided in Roofing Application Standards RAS 133.

Each roof panel is mechanically attached to the Steel B-Deck along its male rib using the approved panel clips positioned over the UC Bearing Plates and located 4" from each panel end and at a spacing noted below in **Table A**. Each clip is attached to B-Deck substrate with two corrosion resistant #12 Pancake Head screws of sufficient length to penetrate through the UC Bearing Plate and through the B-Deck a minimum of 3/16".

TABLE A		
MAXIMUM DESIGN PRESSURES		
Roof Areas	Field	Perimeter and Corner¹
Maximum Design Pressures	-97.5 psf	-165 psf
Maximum Clip Spacing	24" o.c.	12" o.c.

1. Extrapolation shall not be allowed



SYSTEM LIMITATIONS

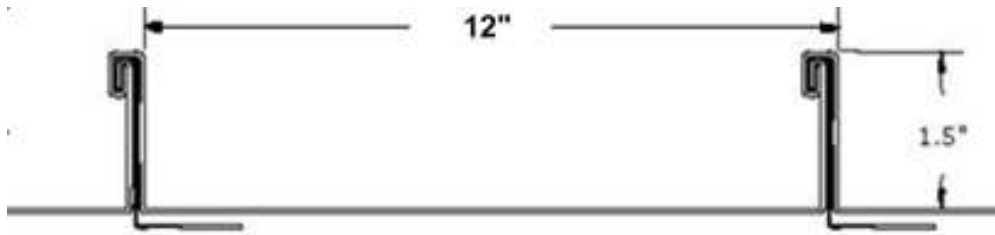
1. Fire classification is not part of this acceptance; refer to a current Approved Roofing Materials Directory for fire ratings of this product.
2. The maximum designed pressure listed herein shall be applicable to all roof pressure zones (i.e. field, perimeters, and corners). Neither rational analysis, nor extrapolation shall be permitted for enhanced fastening at enhanced pressure zones (i.e. perimeters, extended corners and corners).
3. Panels may be rolls formed in continuous lengths from eave to ridge. Maximum lengths shall be as described in Roofing Application Standard RAS 133.
4. All panels shall be permanently labeled with the manufacturer's name and/or logo, city, state, and the following statement: "Miami-Dade County Product Control Approved" **or** with the Miami-Dade County Product Control Seal as seen below. All clips shall be permanently labeled with the manufacturer's name and/or logo, and/or model.



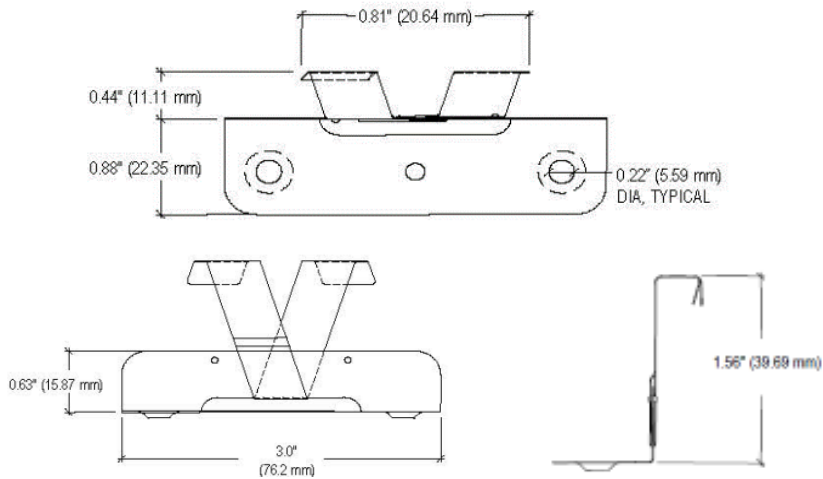
5. All products listed herein shall have a quality assurance audit in accordance with the Florida Building Code and Rule 61G20-3 of the Florida Administrative Code.



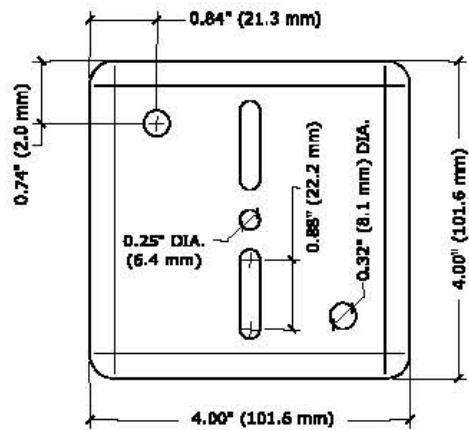
PROFILE DRAWINGS



UNA-CLAD UC-3



UNA-CLAD UC-3 EXPANSION CLIP



UNA-CLAD UC BEARING PLATE

END OF THIS ACCEPTANCE