



DEPARTMENT OF REGULATORY AND ECONOMIC RESOURCES (RER)
 BOARD AND CODE ADMINISTRATION DIVISION
NOTICE OF ACCEPTANCE (NOA)

Officina, Inc.
 4141 N. E. 2nd Avenue, Suite #202
 Miami, FL 33137

SCOPE:

This NOA is being issued under the applicable rules and regulations governing the use of construction materials. The documentation submitted has been reviewed and accepted by Miami-Dade County RER - Product Control Section to be used in Miami Dade County and other areas where allowed by the Authority Having Jurisdiction (AHJ).

This NOA shall not be valid after the expiration date stated below. The Miami-Dade County Product Control Section (In Miami Dade County) and/or the AHJ (in areas other than Miami Dade County) reserve the right to have this product or material tested for quality assurance purposes. If this product or material fails to perform in the accepted manner, the manufacturer will incur the expense of such testing and the AHJ may immediately revoke, modify, or suspend the use of such product or material within their jurisdiction. RER reserves the right to revoke this acceptance, if it is determined by Miami-Dade County Product Control Section that this product or material fails to meet the requirements of the applicable building code.

This product is approved as described herein, and has been designed to comply with the Florida Building Code, including the High Velocity Hurricane Zone.

DESCRIPTION: Series "Korus KA" Wood-clad Aluminum Outswing French Door-LMI

APPROVAL DOCUMENT: Drawing No. **W08-31 Rev G**, titled "Series Korus KA Aluminum Outswing French Door(LMI)", sheets 1, 2, 2.1 through 8 of 8, dated 03/25/08 and last revised on MAR 23, 2017, prepared by Al-Farooq Corporation, signed and sealed by Javad Ahmad, P.E., bearing the Miami-Dade County Product Control Revision stamp with the Notice of Acceptance number and expiration date by the Miami-Dade County Product Control Section

MISSILE IMPACT RATING: Large and Small Missile Impact

Limitations:

1. Single or double doors may be mulled with approved impacted clipped mullion (under separate approvals), lower design rating shall apply and such installation to be reviewed & approved by AHJ.
2. Side jambs can be installed into filled block or filled CMU or Concrete.

LABELING: Each unit shall bear a permanent label with the manufacturer's name or logo, **Latina, Italy** and series and following statement: "Miami-Dade County Product Control Approved", noted herein.

RENEWAL of this NOA shall be considered after a renewal application has been filed and there has been no change in the applicable building code negatively affecting the performance of this product.

TERMINATION of this NOA will occur after the expiration date or if there has been a revision or change in the materials, use, and/or manufacture of the product or process. Misuse of this NOA as an endorsement of any product, for sales, advertising or any other purposes shall automatically terminate this NOA. Failure to comply with any section of this NOA shall be cause for termination and removal of NOA.

ADVERTISEMENT: The NOA number preceded by the words Miami-Dade County, Florida, and followed by the expiration date may be displayed in advertising literature. If any portion of the NOA is displayed, then it shall be done in its entirety.

INSPECTION: A copy of this entire NOA shall be provided to the user by the manufacturer or its distributors and shall be available for inspection at the job site at the request of the Building Official.

This NOA revises NOA # 12-1231.06 (Former **Korus USA, Inc.**) and consists of this page 1 and evidence pages E-1 & E-2, as well as approval document mentioned above.

The submitted documentation was reviewed by **Ishaq I. Chanda, P.E.**



NOA No. 17-0227.10
 Expiration Date: July 03, 2018
 Approval Date: March 30, 2017
 Page 1

3/24/17

NOTICE OF ACCEPTANCE: EVIDENCE SUBMITTED

A. DRAWINGS

1. Manufacturer's die drawings and sections (submitted under files below).
2. Drawing No. **W08-31 Rev G**, titled "Series Korus KA Aluminum Outswing French Door (LMD)", sheets 1, 2, 2.1 through 8 of 8, dated 03/25/08 and last revised on MAR 23, 2017, prepared by Al-Farooq Corporation, signed and sealed by Javad Ahmad, P. E.

B. TESTS (submitted under files #12-1231.06/ #09-0128.13/ #08-0512.17)

1. Test reports on
 - 1) Air Infiltration Test, per FBC, TAS 202-94
 - 2) Uniform Static Air Pressure Test, Loading per FBC, TAS 202-94
 - 3) Water Resistance Test per FBC, TAS 202-94
 - 4) Forced Entry Test, per FBC 2411 3.2.1 and TAS 202-94
 - 5) Large Missile Impact Test per FBC, TAS 201-94
 - 6) Cyclic Wind Pressure Loading per FBC, TAS 203-94

along with installation diagram of aluminum outswing door w/ 1-3/16" flange and without flange, prepared by Fenestration Testing Lab., Test Report No(s). **FTL-6531**, dated 11/12/12 and last revised on 07/02/13, signed and sealed by Jorge A. Naya, P.E.

Note: This test report has addendum letter dated July 02, 2013 and impacted sample D-1 photograph (sent via e-mail dated 07/12/13) issued by Fenestration Testing Lab.

2. Test reports on
 - 1) Air Infiltration Test, per FBC, TAS 202-94
 - 2) Uniform Static Air Pressure Test, Loading per FBC, TAS 202-94
 - 3) Water Resistance Test per FBC, TAS 202-94
 - 4) Forced Entry Test, per FBC 2411 3.2.1 and TAS 202-94
 - 5) Large Missile Impact Test per FBC, TAS 201-94
 - 6) Cyclic Wind Pressure Loading per FBC, TAS 203-94

along with installation diagram of aluminum outswing door, prepared by Hurricane Testing Lab., Test Report No(s). **HTL- 0458-0606-07**, dated 04/25/08, signed and sealed by Vinu J. Abraham, P.E.

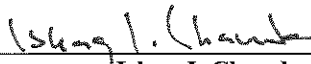
3. Additional Referenced Korus fixed Windows test report # **FTL-7101**, dated 04/01/13 per TAS 201, 202 & 203-94, issued by Fenestration Testing Lab., signed & sealed by Marlin D. Brinson, P.E.

C. CALCULATIONS

1. Anchor verification calculations and structural analysis, complying with FBC-2014 (5th Edition) , prepared by Al Farooq Corporation, dated FEB 23, 2017, signed and sealed by Javad Ahmad, P.E.
2. Glazing complies w/ ASTME-1300-02, -04 & -09.

D. QUALITY ASSURANCE

1. Miami Dade Department of Regulatory and Economic Resources (RER).


Ishaq I. Chanda, P.E.
Product Control Examiner
NOA No. 17-0227.10
Expiration Date: July 03, 2018
Approval Date: March 30, 2017

NOTICE OF ACCEPTANCE: EVIDENCE SUBMITTED

E. MATERIAL CERTIFICATIONS

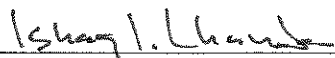
1. Notice of Acceptance No. **14-0916.11** issued to Kuraray America, Inc. (former E.I. DuPont DeNemours & Co., Inc.) for the “**Sentry Glass ® Interlayer**”, expiring on 07/4/17.
2. Notice of Acceptance No. **16-117.01** issued to **Kuraray America, Inc.** (Former E.I. DuPont DeNemours & Co., Inc. for the “Kuraray Trofossil Ultra clear and color PVB Interlayer (Former Kuraray **Butacite ® PVB interlayer**)”, expiring on 07/08/19.
3. Notice of Acceptance No. **12-1231.08** issued to Eastman Chemical Company (MA), Inc. (Former Solutia Inc.) for their “**Saflex CP: Saflex and saflex HP composite interlayer w/ PET core**”, expiring on 12/11/18.

F. STATEMENTS

1. Statement letter of conformance and letter of no financial interest, prepared by Al Farooq Corporation, dated 02/22/17, signed and sealed by Javad Ahmad, P.E.
2. Lab compliance as part of the above referenced test reports.
3. Bill of Sale dated JAN 20, 2017 between Korus USA, Inc.(Seller) and Officina, Inc., (Buyer), the seller, sells, conveys, assigned and transferred to buyer the assets and rights per sales agreement, respectively signed on behalf of their respective companies by Gianfrano Ippoliti (president) and Michele Laurito (CEO).
4. Statement letter dated 01/24/2017, issued by Korus USA, Inc. of sales of asset and relinquishing of all rights of past and present NOA(s), signed by Gianfrano Ippoliti (president).
5. Statement letter dated 01/24/2017, issued by Officina, Inc. of legally purchase of asset and rights of all past and present NOA(s) from Korus USA, Inc and requesting that NOA be issued with their company’s name, signed by Michele Laurito (CEO).
6. Distribution agreement dated 06/02/13 between manufacturer, Korus spa, Italy and Officina, Inc (distributor), signed by Fillippo Piccone and Michele Laurito on behalf of respective companies.

G. OTHER

1. This NOA revises NOA # **12-1231.06** (Former **Korus USA, Inc.**), expired on July 03, 2018.
2. Test proposal, dated 02/02/12 approved by RER and Test proposal # **04-0210**, dated May 17, 2004, approved by BCCO.



Ishaq I. Chanda, P.E.
Product Control Examiner
NOA No. 17-0227.10
Expiration Date: July 03, 2018
Approval Date: March 30, 2017

DOOR LEAF HEIGHT = INTERIOR OPNG. HEIGHT - 1.50"
 DOOR LEAF WIDTH (X DOORS) = INT. OPNG. WIDTH - 2.375"
 DOOR LEAF WIDTH (XX DOORS) = (INT. OPNG. WIDTH - 2.50")/2
 D.L.O. HEIGHT = INTERIOR OPNG. HEIGHT - 9.875"
 D.L.O. WIDTH (X DOORS) = INT. OPNG. WIDTH - 10.875"
 D.L.O. WIDTH (XX DOORS) = (INT. OPNG. WIDTH - 19.50")/2

THESE DOORS ARE RATED FOR LARGE & SMALL MISSILE IMPACT. SHUTTERS ARE NOT REQUIRED.

**SERIES KORUS KA
 ALUMINUM OUTSWING FRENCH DOOR**

APPROVAL APPLIES TO SINGLE (X) AND DOUBLE (XX) LEAF DOORS. ALSO COMBINATION OF DOOR/DOOR OR DOOR WITH MIAMI-DADE COUNTY APPROVED SIDELITES & TRANSOMS BY USING MIAMI-DADE COUNTY APPROVED LARGE MISSILE IMPACT RESISTANT CLIPPED MULLIONS IN BETWEEN. LOWER DESIGN PRESSURES FROM DOOR, SIDELITE, TRANSOM OR MULLION APPROVAL WILL APPLY TO ENTIRE SYSTEM.

THIS PRODUCT HAS BEEN DESIGNED AND TESTED TO COMPLY WITH THE REQUIREMENTS OF THE 2014 (5TH EDITION) FLORIDA BUILDING CODE INCLUDING HIGH VELOCITY HURRICANE ZONE (HVHZ).

1BY OR 2BY WOOD BUCKS & BUCK FASTENERS BY OTHERS, MUST BE DESIGNED AND INSTALLED ADEQUATELY TO TRANSFER APPLIED PRODUCT LOADS TO THE BUILDING STRUCTURE.

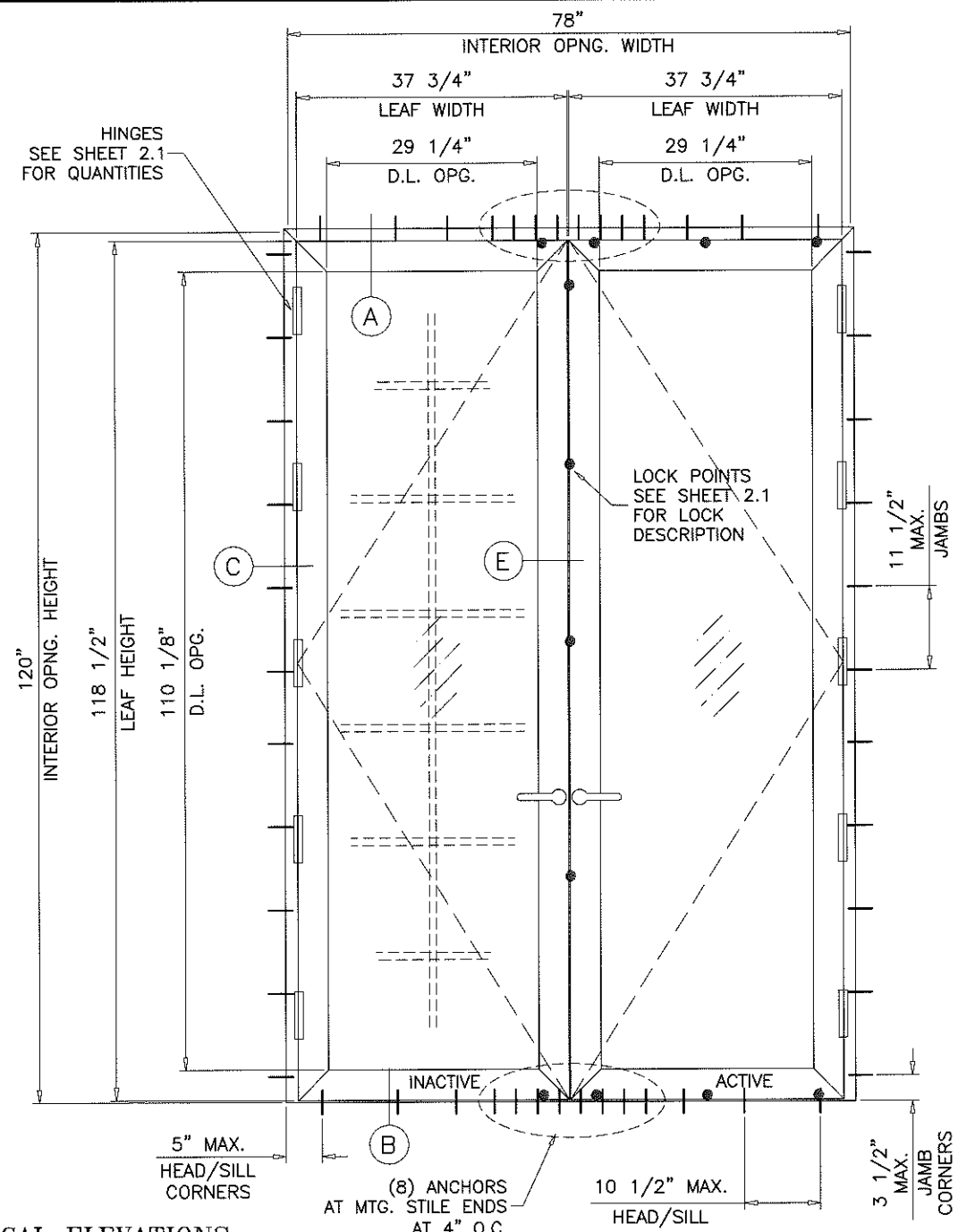
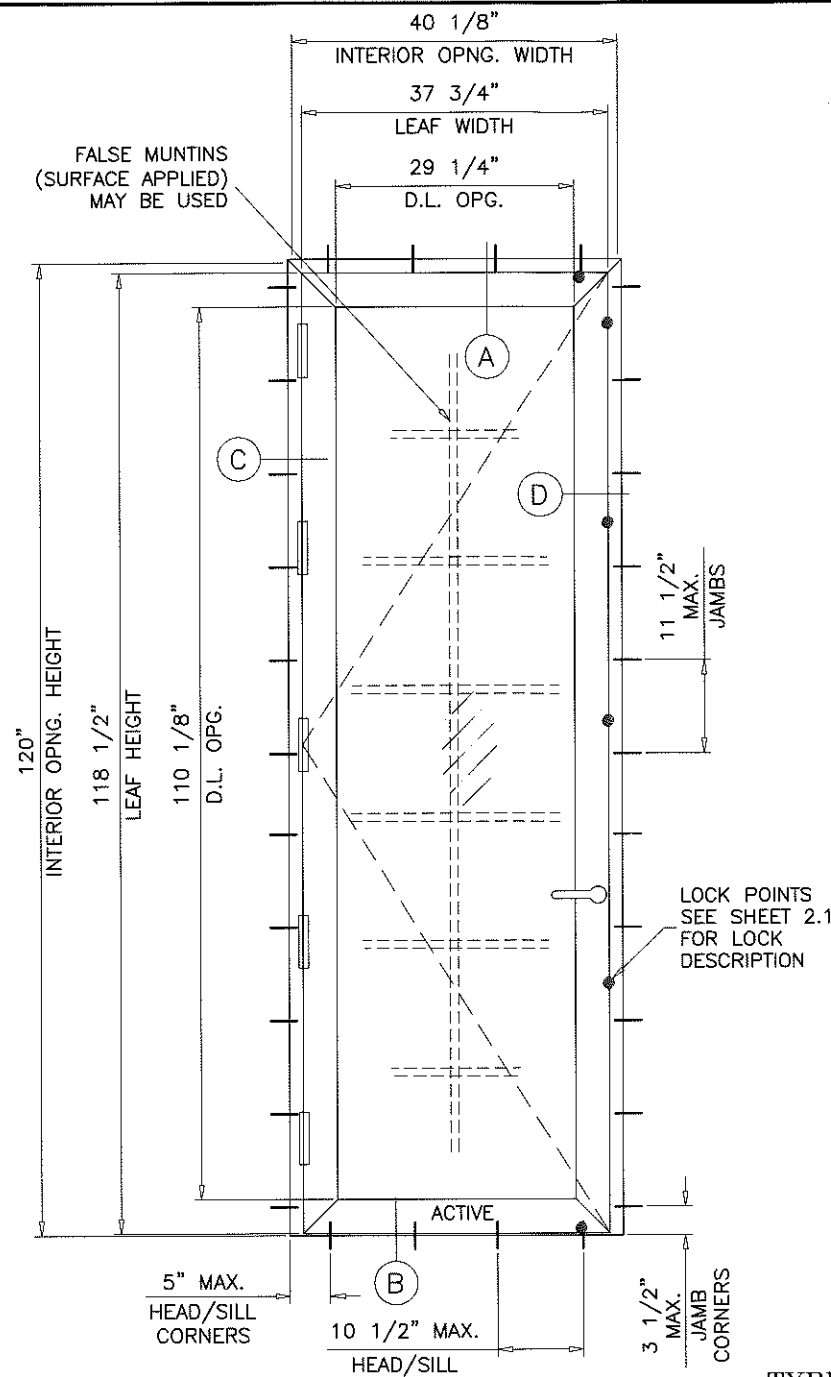
ANCHORS SHALL BE CORROSION RESISTANT, SPACED AS SHOWN ON DETAILS AND INSTALLED PER MANUF'S INSTRUCTIONS. SPECIFIED EMBEDMENT TO BASE MATERIAL SHALL BE BEYOND WALL DRESSING OR STUCCO.

A LOAD DURATION INCREASE IS USED IN DESIGN OF ANCHORS INTO WOOD ONLY.

ALL SHIMS TO BE HIGH IMPACT, NON-METALLIC AND NON-COMPRESSIBLE.

MATERIALS INCLUDING BUT NOT LIMITED TO STEEL/METAL SCREWS, THAT COME INTO CONTACT WITH OTHER DISSIMILAR MATERIALS SHALL MEET THE REQUIREMENTS OF THE 2014 FLORIDA BUILDING CODE & ADOPTED STANDARDS.

THIS PRODUCT APPROVAL IS GENERIC AND DOES NOT PROVIDE INFORMATION FOR A SITE SPECIFIC PROJECT, i.e. LIFE SAFETY OF THIS PRODUCT, ADEQUACY OF STRUCTURE RECEIVING THIS PRODUCT AND SEALING AROUND OPENING FOR WATER INFILTRATION RESISTANCE ETC. CONDITIONS NOT SHOWN IN THIS DRAWING ARE TO BE ANALYZED SEPARATELY, AND TO BE REVIEWED BY BUILDING OFFICIAL.



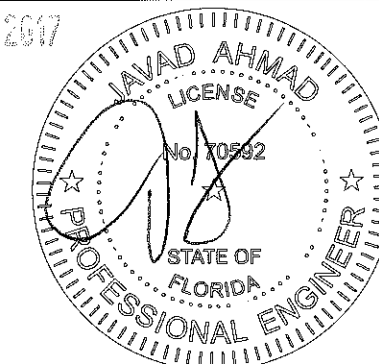
TYPICAL ELEVATIONS

DOORS LOAD CAPACITY - PSF SINGLE DOORS (X)								
DOOR DIMS.			GLASS TYPE 'A'		GLASS TYPE 'B'		GLASS TYPE 'C'	
INT. OPNG. WIDTH	INT. OPNG. HEIGHT	LEAF WIDTH	EXT.(+)	INT.(-)	EXT.(+)	INT.(-)	EXT.(+)	INT.(-)
36"	94-7/8"	33-1/2"	75.0	75.0	75.0	75.0	60.0	60.0
40-1/8"	98"	37-3/4"	66.0	66.0	66.0	66.0	60.0	60.0
40-1/8"	120"	37-3/4"	53.3	53.3	66.0	66.0	60.0	60.0

DOORS LOAD CAPACITY - PSF DOUBLE DOORS (XX)								
DOOR DIMS.			GLASS TYPE 'A'		GLASS TYPE 'B'		GLASS TYPE 'C'	
INT. OPNG. WIDTH	INT. OPNG. HEIGHT	LEAF WIDTH	EXT.(+)	INT.(-)	EXT.(+)	INT.(-)	EXT.(+)	INT.(-)
69-5/8"	94-7/8"	33-1/2"	75.0	75.0	75.0	75.0	60.0	60.0
78"	98"	37-3/4"	66.0	66.0	66.0	66.0	60.0	60.0
78"	120"	37-3/4"	53.3	53.3	66.0	66.0	60.0	60.0

NOTE:
 GLASS CAPACITIES ON THIS SHEET ARE BASED ON ASTM E1300-09 (3 SEC. GUSTS) AND FLORIDA BUILDING COMMISSION DECLARATORY STATEMENT DCA05-DEC-219

PRODUCT REVIEWED
 as complying with the Florida Building Code
 Acceptance No 17-0227-10
 Expiration Date July 03, 2018
 M. Ismail / Product Control



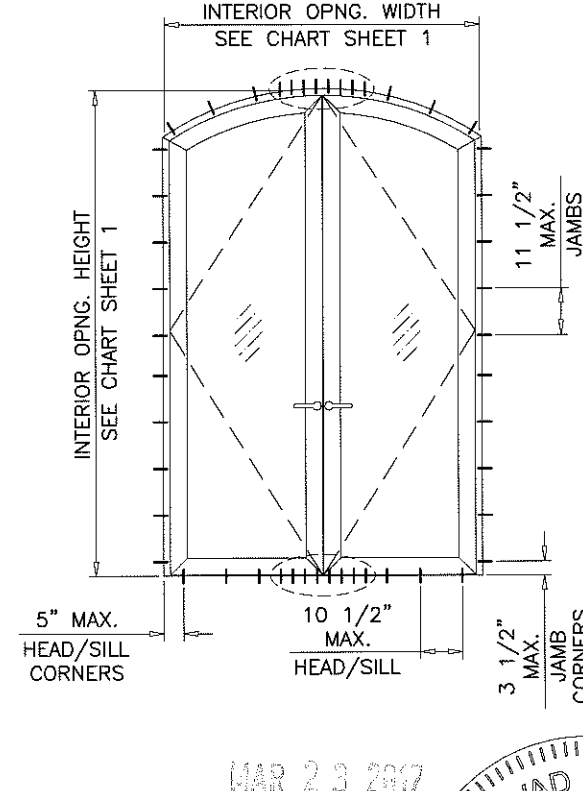
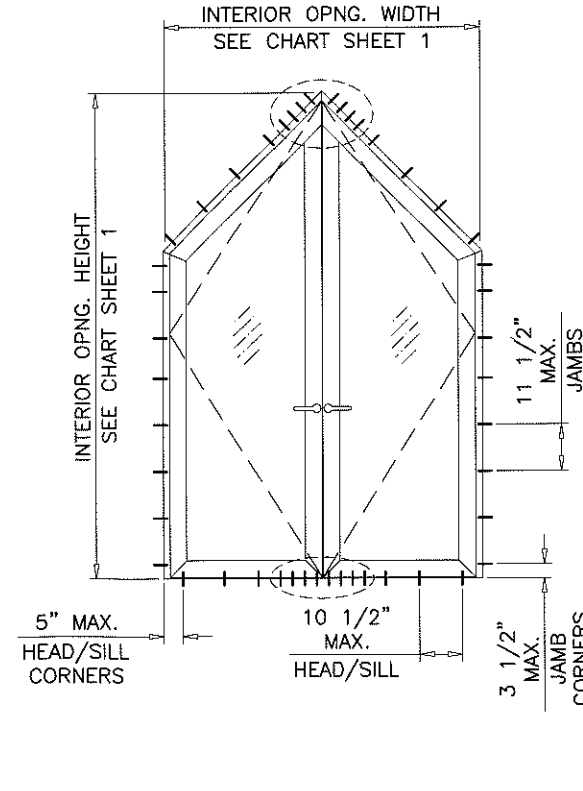
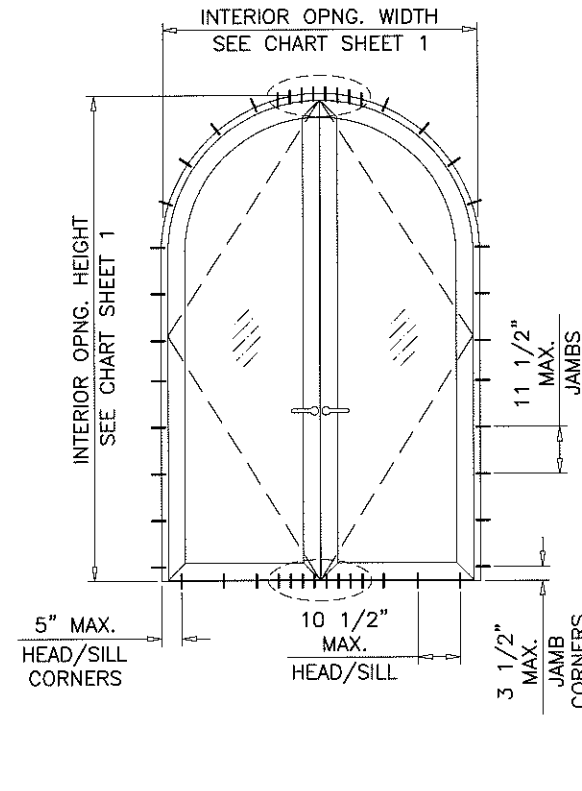
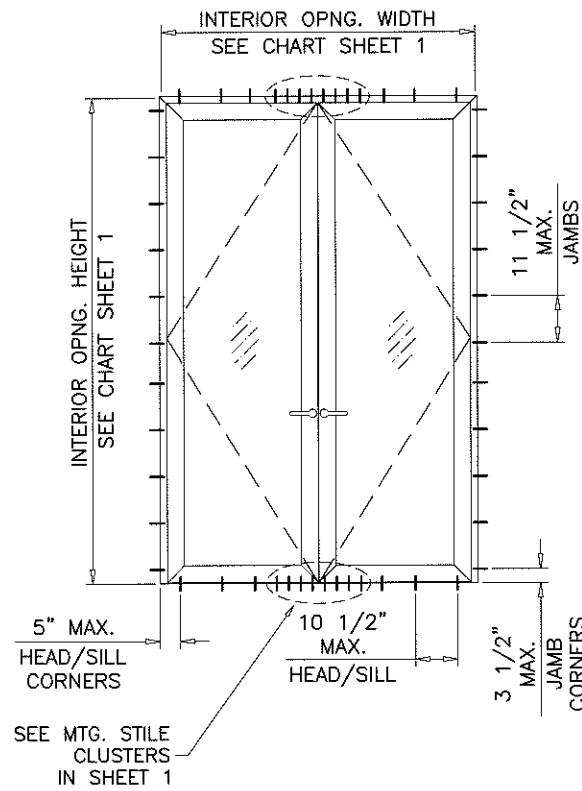
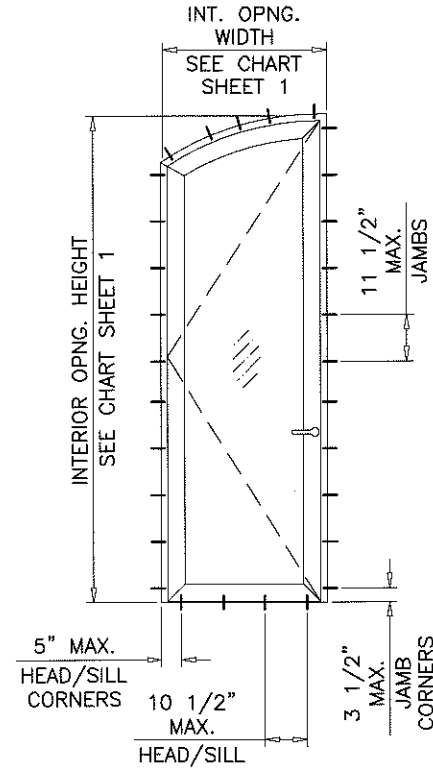
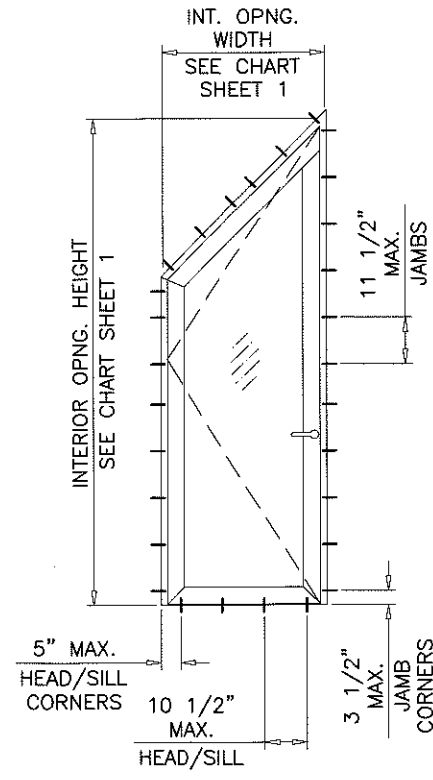
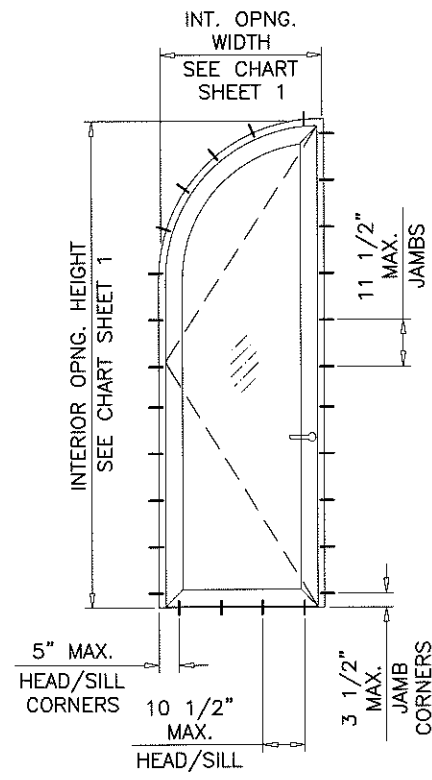
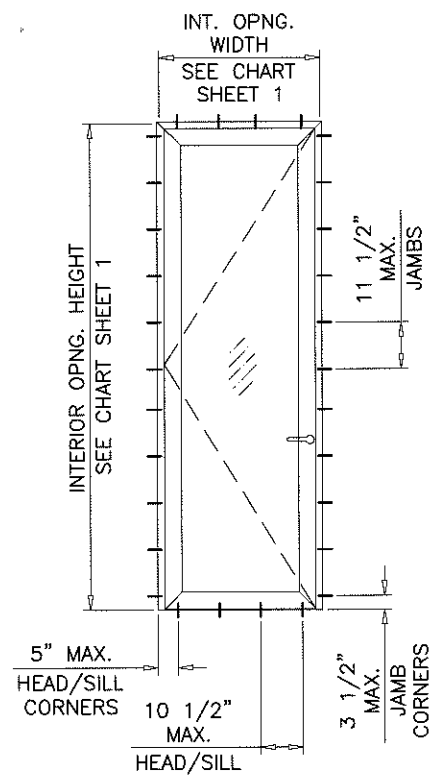
af c
AL-FAROOQ CORPORATION
 ENGINEERS & PRODUCT DEVELOPMENT
 9360 SUNSET DRIVE, SUITE 220 (C.A.N. 3538)
 MIAMI, FLORIDA 33173
 TEL. (305) 264-8100 FAX. (305) 262-6978
 COMP-ANL\W08-31KUI

SERIES KORUS KA ALUMINUM OUTSWING DOOR (L.M.I.)
Officina Inc.
 4141 N.E. 2nd Avenue, Suite #202
 Miami, Fl. 33137
 Tel. (786) 863-9503 Fax. (-)

no	date	description
C	03.04.13	NEW SIZED ADDED
D	06.04.13	REV. PER RER COMMENTS
E	07.12.13	REV. PER RER COMMENTS
F	02.23.17	REV. MANUF. NAME & 2014 FBC

date: 03-25-08
 scale: 1/2"=1'-0"
 dr. by: TARIO
 chk. by:

drawing no.
W08-31
 sheet 1 of 8

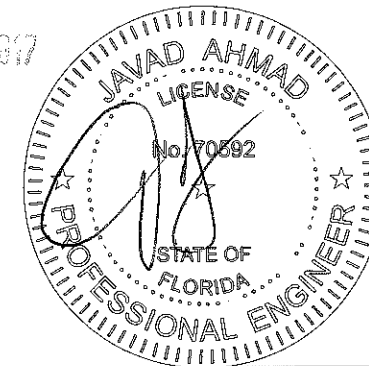


ALLOWABLE LOADS FOR ALTERNATE SHAPES AS SHOWN ABOVE OR SIMILAR CAN BE VERIFIED BY INSCRIBING DOOR SHAPE WITHIN RECTANGLE AS SHOWN IN DOTTED LINES AND OBTAINING ALLOWABLE LOADS FROM THOSE SHAPES.

APPROVED CONFIGURATIONS

PRODUCT REVISED
 as complying with the Florida
 Building Code
 Acceptance No. 17-0227-10
 Expiration Date 7/3/18
 by: Ishag I. Chaudhry
 for: Door Product Control

MAR 23 2017



afcc
AL-FAROOQ CORPORATION
 ENGINEERS & PRODUCT DEVELOPMENT
 9360 SUNSET DRIVE, SUITE 220 (C.A.N. 3538)
 MIAMI, FLORIDA 33173 TEL. (305) 264-8100 FAX. (305) 262-6978
 COMP-ANL\W08-31KUJ

SERIES KORUS KA ALUMINUM OUTSWING DOOR (L.M.I.)
Officina Inc.
 4141 N.E. 2nd Avenue, Suite #202
 Miami, Fl. 33137
 Tel. (786) 863-9503 Fax. (-)

no	date	by	description
C	03.04.13		NEW SIZED ADDED
D	06.04.13		REV. PER RER COMMENTS
E	07.12.13		REV. PER RER COMMENTS
F	02.23.17		REV. MANUF. NAME & 2014 FCC

date: 03-25-08
 scale: 1/2" = 1"
 dr. by: TARIO
 chk. by:

drawing no.
W08-31
 sheet 2 of 8

SEALANTS:

LEAF CORNERS SEALED WITH DOW CORNING 899 SEALANT.

HINGES:

(3) PER LEAF FOR INTERIOR OPNG. HEIGHTS UPTO 94-7/8"
AT 12" FROM TOP & BOTTOM AND 36" O.C. MAX.

(5) PER LEAF FOR INTERIOR OPNG HEIGHTS ABOVE 94-7/8"
AT 5" FROM TOP & BOTTOM AND 27" O.C. MAX.

EACH HASP FASTENED TO LEAF AND FRAME WITH (2) #1/4-20 X 5/8" OH MS

HINGE SPACING SHOWN ABOVE IS FOR RECTANGULAR SHAPED DOORS,
FOR ARCH TOP DOORS REDUCE HINGE SPACING AS REQD. TO MAINTAIN TOTAL QUANTITY.

ANTI-BLOW OUT CLIPS:

28" LONG SLIDE IN METALLIC BLOW-OUT CLIPS AT EACH FRAME JAMB
AND HINGE STILE AT 18" FROM TOP AND BOTTOM AND 30" O.C. MAX.
BLOW OUT CLIPS NOT REQUIRED FOR DOOR OPNG HEIGHTS UPTO 96 INCHES.

LOCKS:

ACTIVE LEAF:

MULTI POINT LOCK SYSTEM BY 'SIEGENIA' AT 41"
FROM BOTTOM

HANDLE ACTIVATES DEAD BOLT AND SHOOT BOLTS
ENGAGING AT HEAD, SILL AND LOCK STILES

KEY OPERATED ON EXTERIOR AND THUMB TURN ON
INTERIOR

FASTENED TO ACTIVE LEAF LOCK STILE WITH

(3) #12-28 X 3-1/8" FH MS

(12) #8 X 1-3/4" FH SMS

(2) #8 X 3/4" FH SDS

INACTIVE LEAF:

TWO POINT LOCK SYSTEM BY 'SIEGENIA' AT 41"
FROM BOTTOM

HANDLE ACTIVATES SHOOT BOLTS ENGAGING AT
HEAD AND SILL

FASTENED TO INACTIVE LEAF LOCK STILE WITH

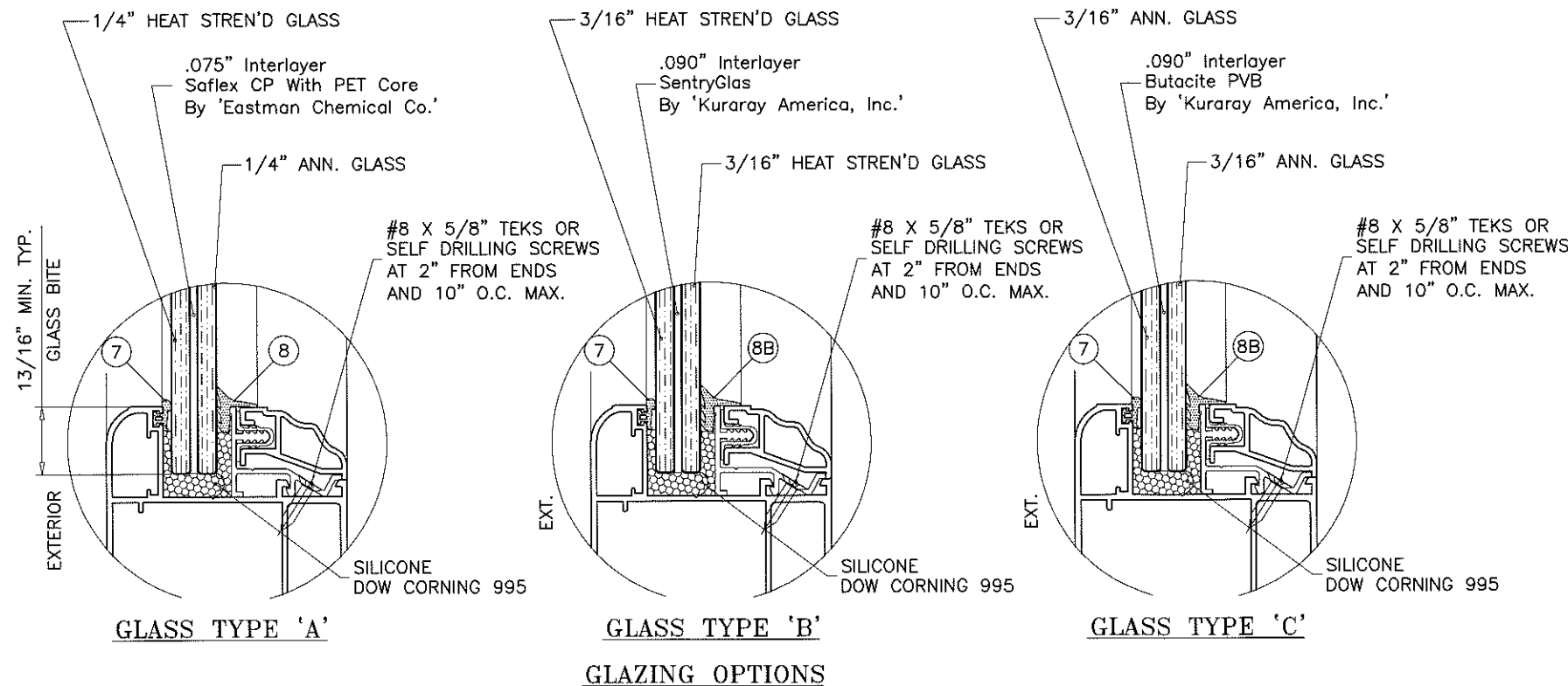
(3) #12-28 X 3-1/8" FH MS

(15) #10 X 1-3/4" FH SMS

(4) #8 X 7/8" FH SDS

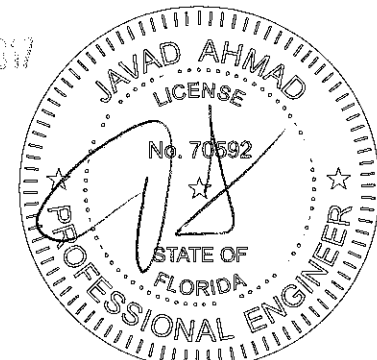
KEEPERS:

SURFACE MOUNT KEEPERS FACING LOCK POINTS
EACH KEEPER FASTENED TO FRAME AND STILE WITH
(3) #8 X 5/8" OH SDS



PRODUCT REVISED
as complying with the Florida
Building Code
Acceptance No. 17-0222-10
Expiration Date 7/31/18
E. Ghannam
Member Under Product Control

MAR 23 2017



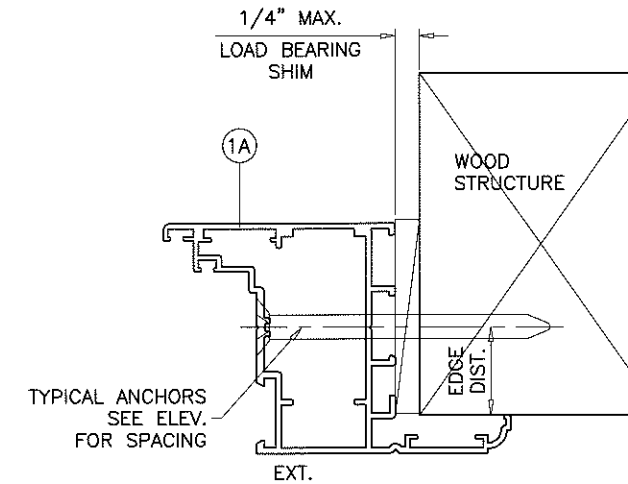
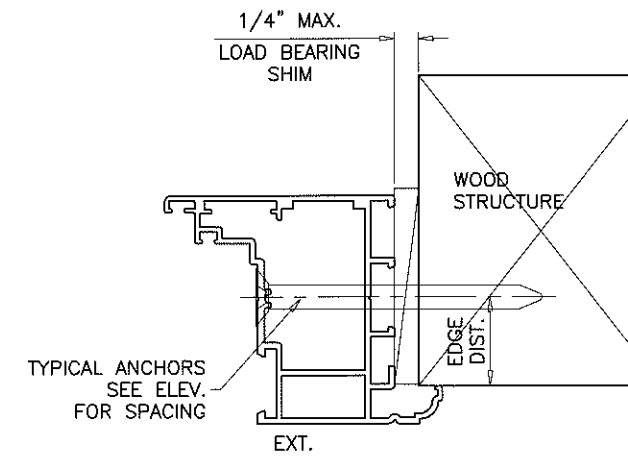
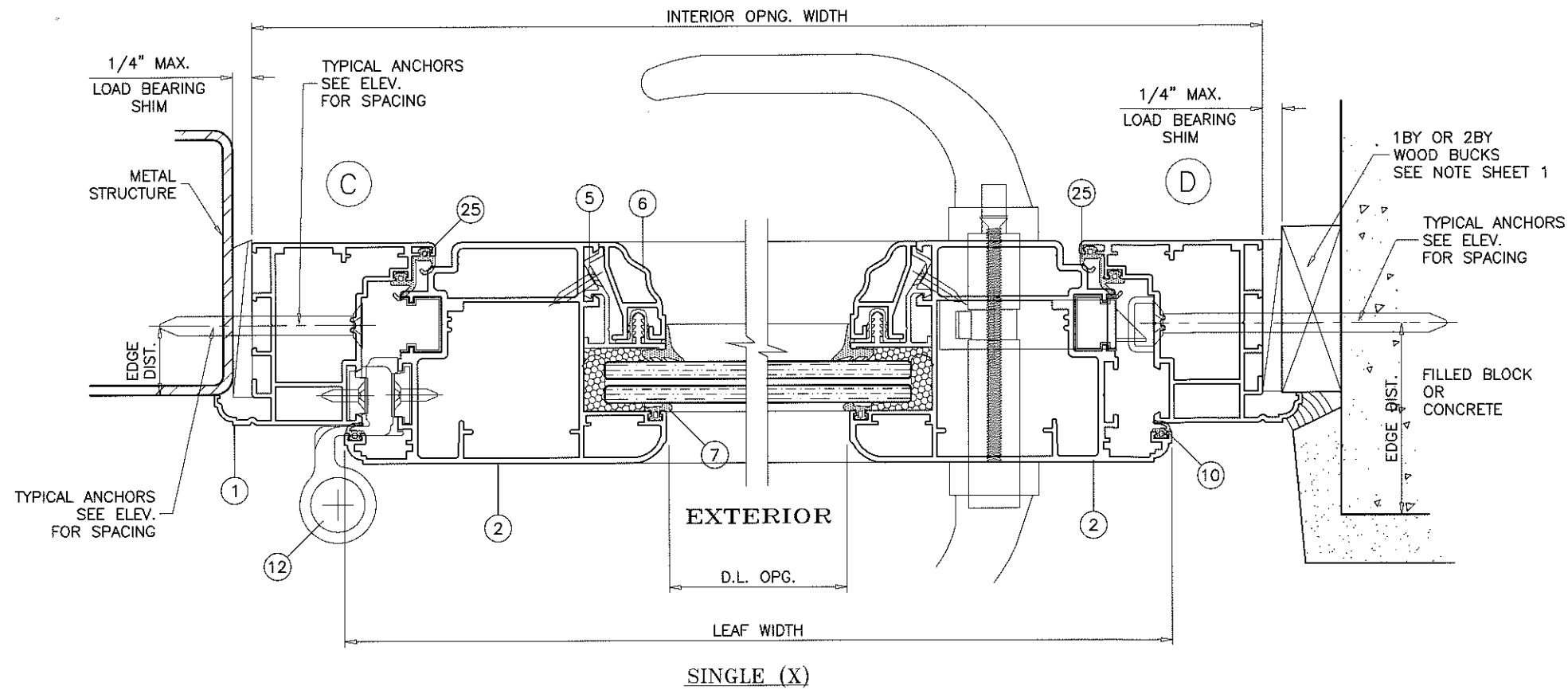
af c
AL-FAROOQ CORPORATION
ENGINEERS & PRODUCT DEVELOPMENT
9360 SUNSET DRIVE, SUITE 220
MIAMI, FLORIDA 33173
TEL. (305) 264-8100 FAX. (305) 262-6978
COMP-ANL\W08-31KUJ

SERIES KORUS KA ALUMINUM OUTSWING DOOR (L.M.I.)
Officina Inc.
4141 N.E. 2nd Avenue, Suite #202
Miami, Fl. 33137
Tel. (786) 863-9503 Fax. (-)

no	date	by	description
C	03.04.13		NEW SIZED ADDED
D	06.04.13		REV. PER RER COMMENTS
E	07.12.13		UPDATED TO 2014 FBC
F	02.23.17		REV. MANUF. NAME & 2014 FBC

date: 03-25-08
scale: 1/2" = 1"
dr. by: TARIQ
chk. by:

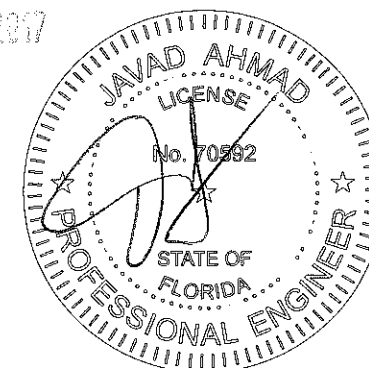
drawing no.
W08-31
sheet 2.1 of 8



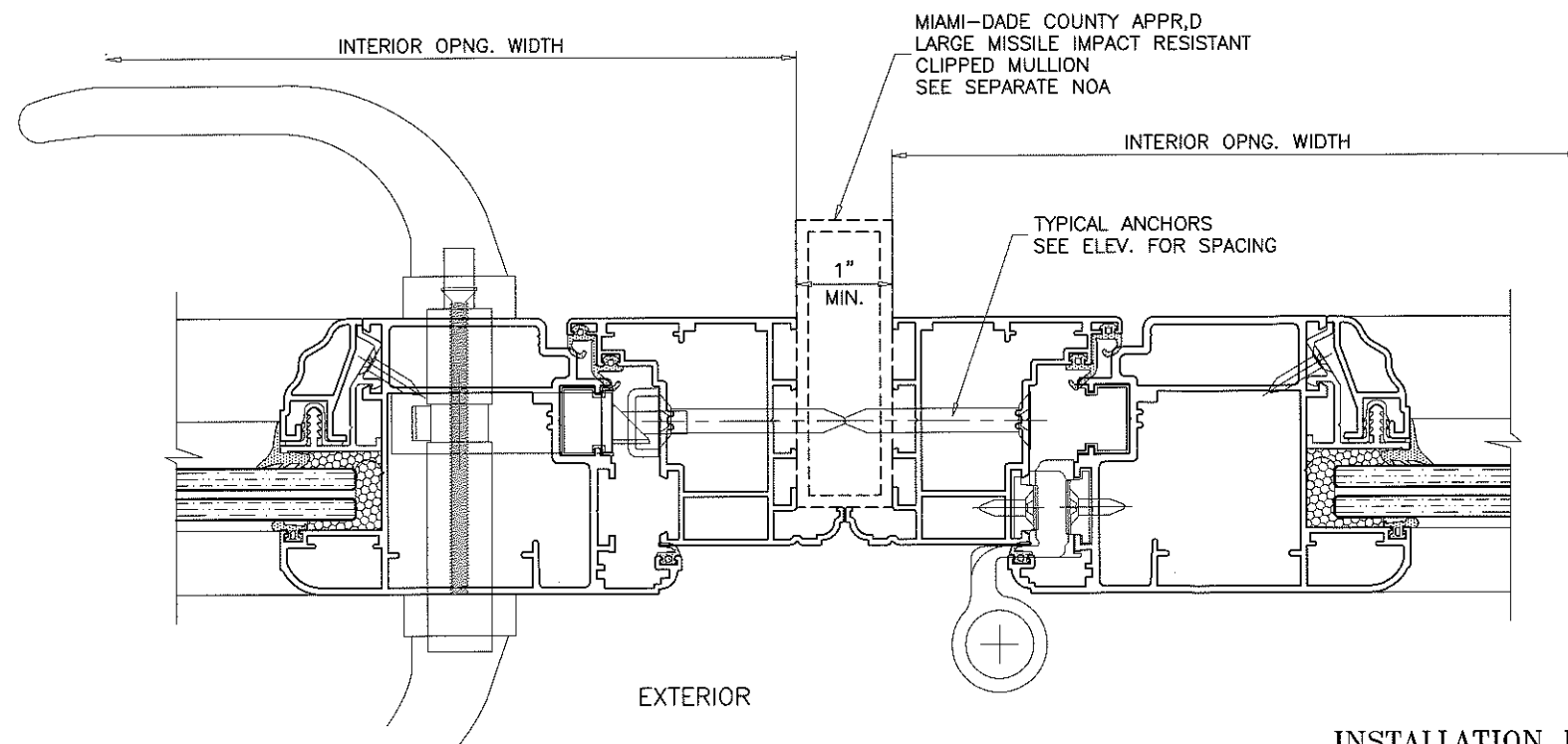
FRAME WITH 1 3/16" FLANGE
OPTIONAL

PRODUCT REVISED
as complying with the Florida
Building Code
Acceptance No. 17-022710
Expiration Date 7/31/18
Ying J. Chan
Miami Design Product Control

MAR 23 2017



INSTALLATION DETAILS
FRAMES WITH 1/2" FLANGE



af c
AL-FAROOQ CORPORATION
ENGINEERS & PRODUCT DEVELOPMENT
9360 SUNSET DRIVE, SUITE 220 (C.A.N. 3538)
MIAMI, FLORIDA 33173
TEL. (305) 264-8100 FAX. (305) 262-6978
COMP-ANL W08-31KUI

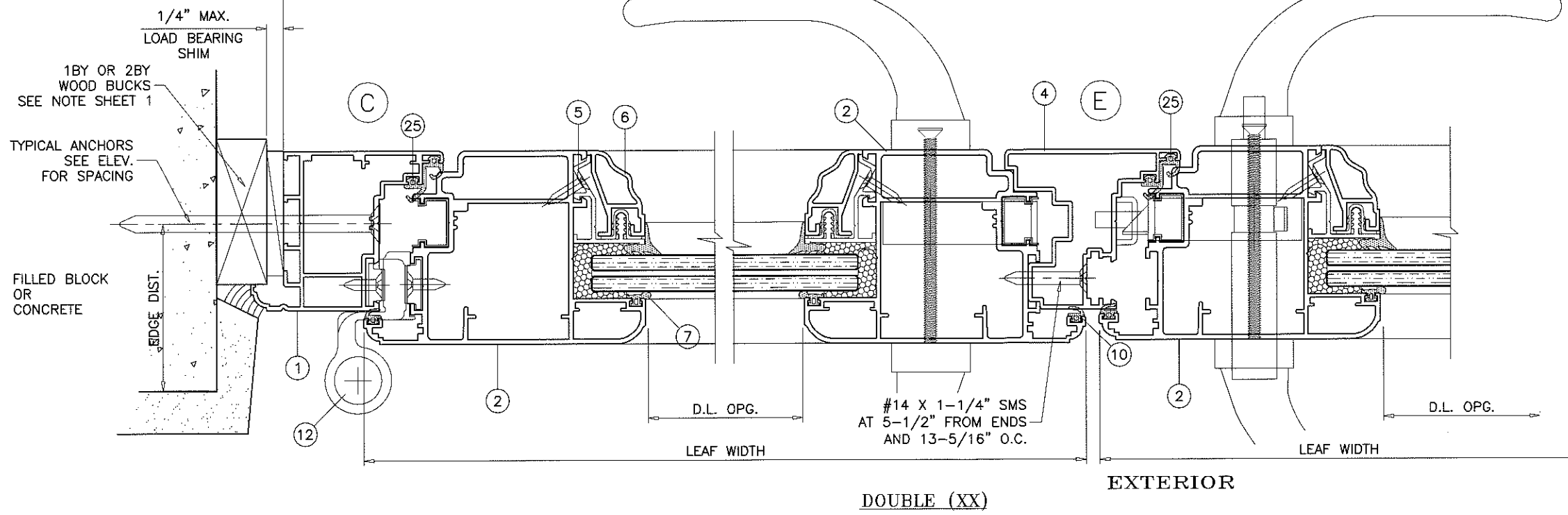
SERIES KORUS KA ALUMINUM OUTSWING DOOR (L.M.I.)
Officina Inc.
4141 N.E. 2nd Avenue, Suite #202
Miami, Fl. 33137
Tel. (786) 863-9503 Fax. (-)

no	date	by	description
C	03.04.13		NO CHANGE THIS SHEET
D	06.04.13		REV. PER RER COMMENTS
E	07.12.13		REV. PER RER COMMENTS
F	02.23.17		REV. MANUF. NAME & 2014 FBC
G	03.22.17		REV. PER RER COMMENTS

date: 03-25-08
scale: 1/2" = 1"
dr. by: TARIQ
chk. by:

drawing no.
W08-31
sheet 4 of 8

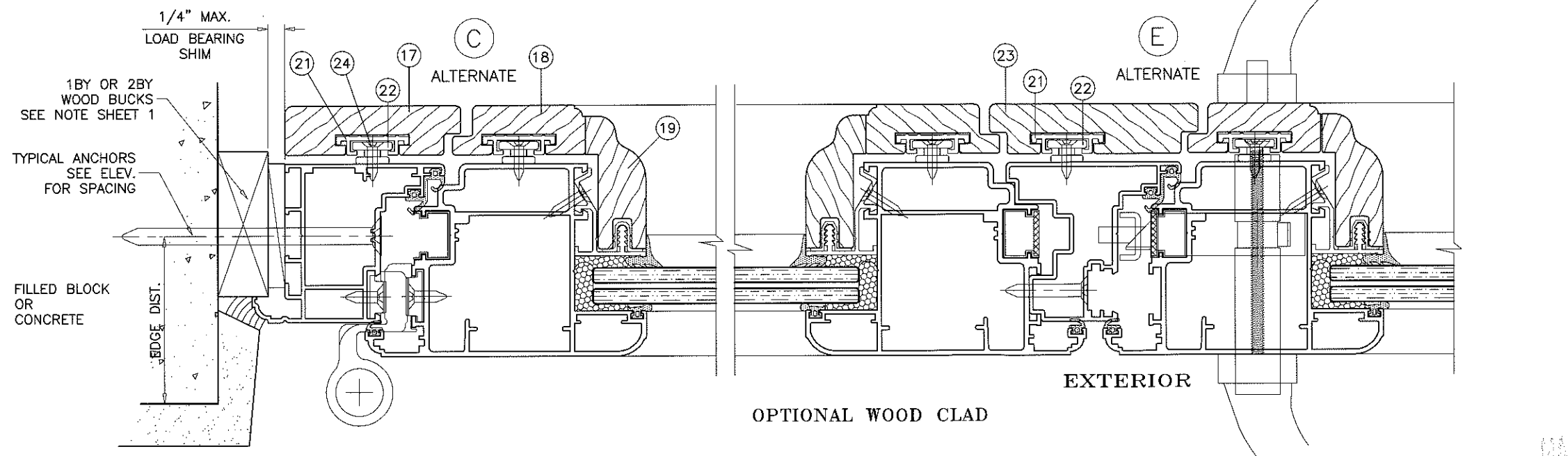
INTERIOR OPNG. WIDTH



DOUBLE (XX)

EXTERIOR

#14 X 1-1/4" SMS
AT 5-1/2" FROM ENDS
AND 13-5/16" O.C.



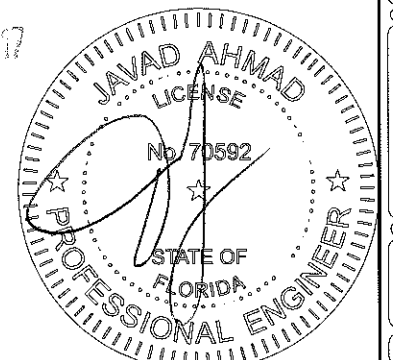
OPTIONAL WOOD CLAD

EXTERIOR

INSTALLATION DETAILS
FRAMES WITH 1/2" FLANGE

PRODUCT REVISED
 to comply with the Florida
 Building Code
 Acceptance No. 17-0227.10
 Expiration Date 7/3/18
 Michael L. Chaudhry
 Michael L. Chaudhry, P.E.

MAR 23 2017



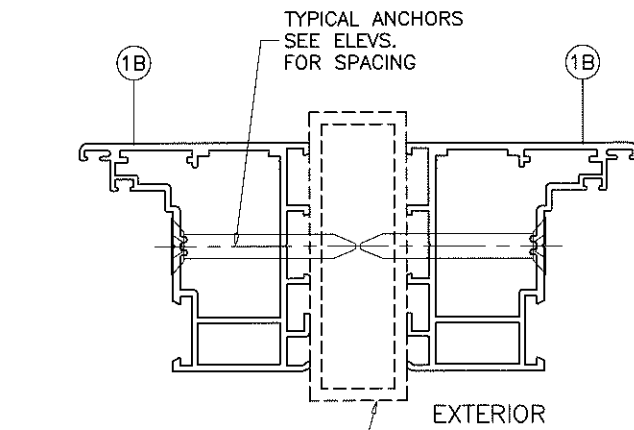
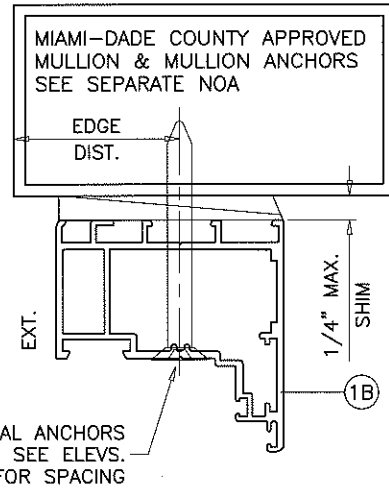
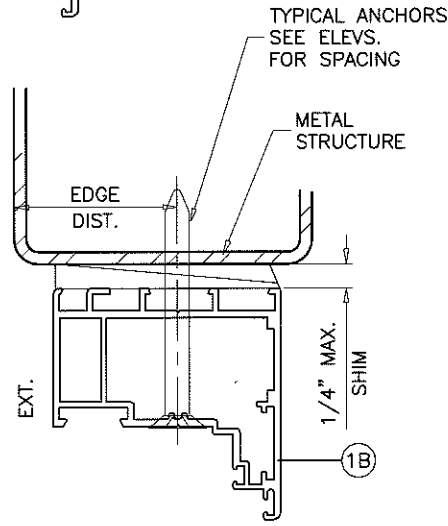
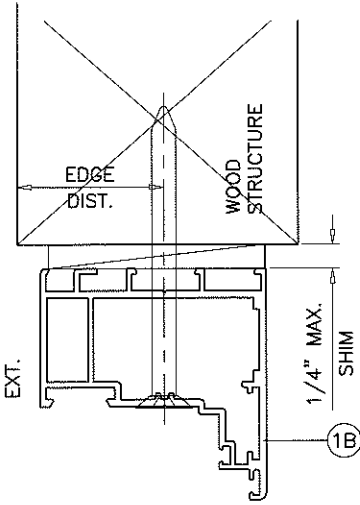
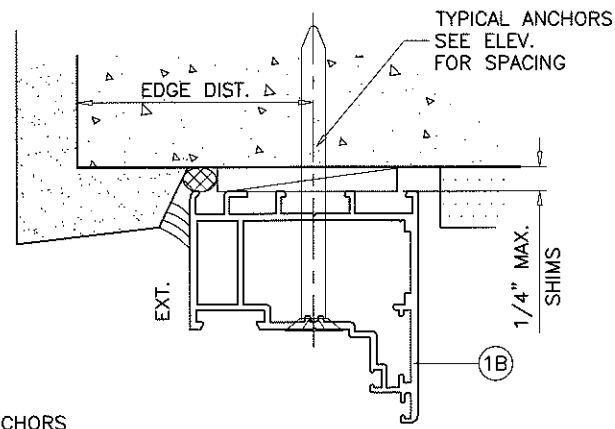
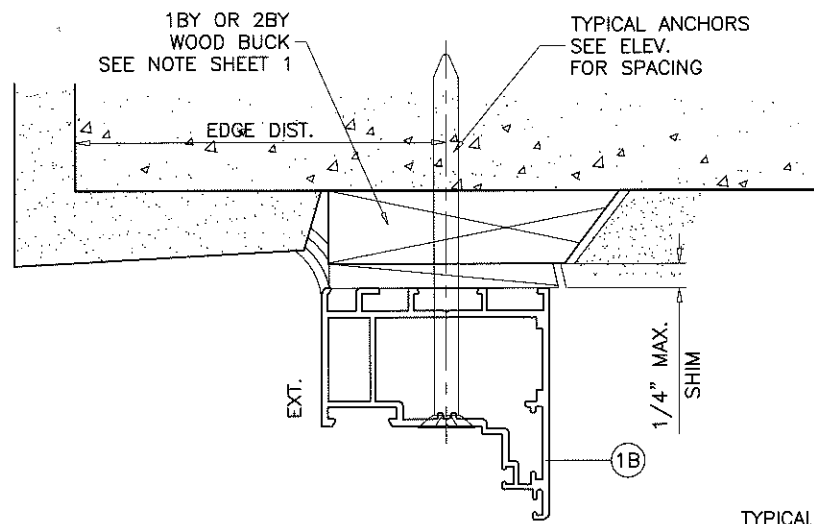
af c
AL-FAROOQ CORPORATION
 ENGINEERS & PRODUCT DEVELOPMENT
 9360 SUNSET DRIVE, SUITE 220
 MIAMI, FLORIDA 33173 (C.A.N. 3538)
 TEL. (305) 264-8100 FAX. (305) 262-6978
 COMP-ANL\W08-31KUI

SERIES KORUS KA ALUMINUM OUTSWING DOOR (L.M.I.)
Officina Inc.
 4141 N.E. 2nd Avenue, Suite #202
 Miami, Fl. 33137
 Tel. (786) 863-9503 Fax. (-)

no.	date	by	description
C	03.04.13		NO CHANGE THIS SHEET
D	06.04.13		REV. PER RER COMMENTS
E	07.12.13		REV. PER RER COMMENTS
F	02.23.17		REV. MANUF. NAME & 2014 FBC
G	03.22.17		REV. PER RER COMMENTS

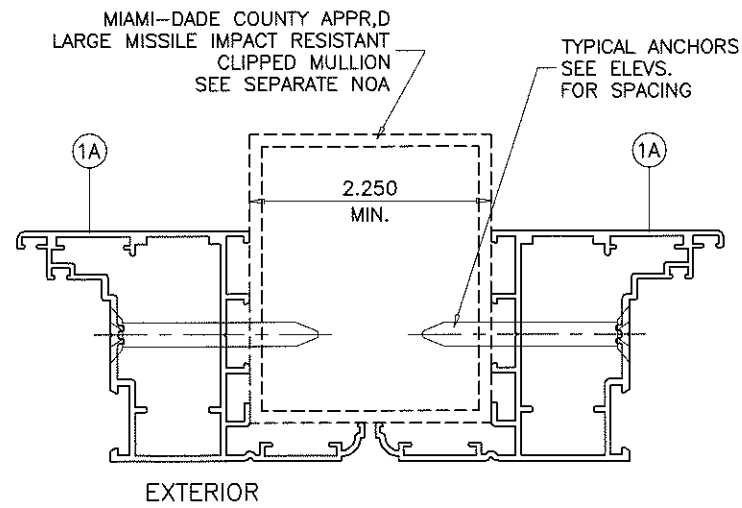
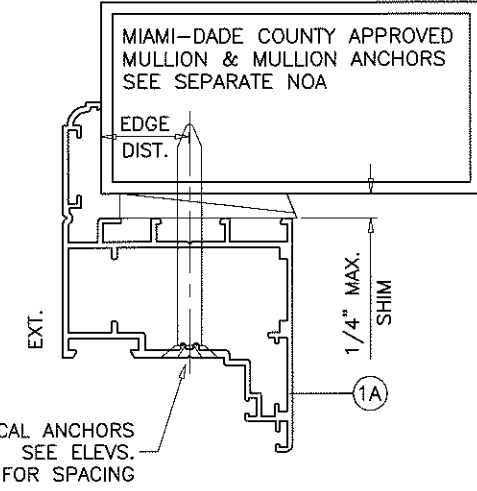
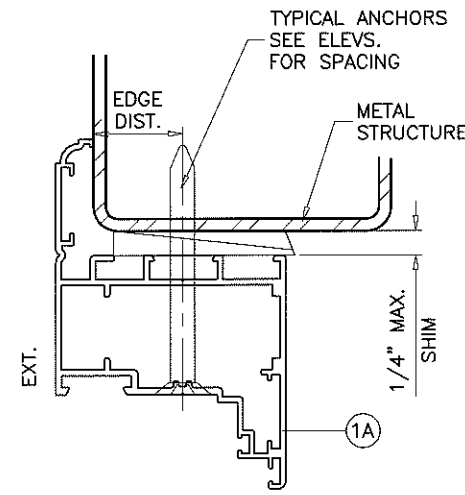
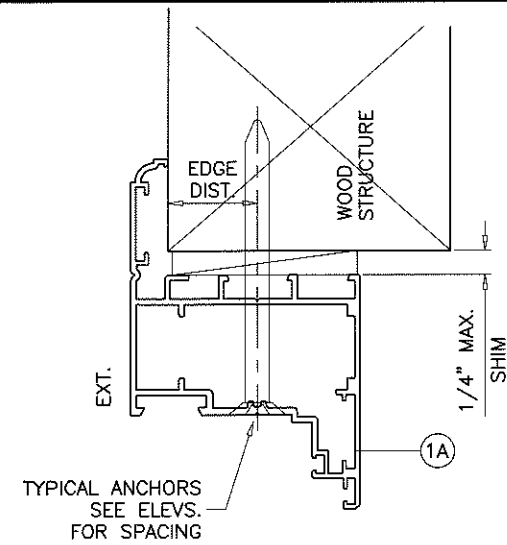
date: 03-25-08
 scale: 1/2" = 1"
 dr. by: TARIQ
 chk. by:

drawing no.
W08-31
 sheet 5 of 8



MIAMI-DADE COUNTY APPR,D
LARGE MISSILE IMPACT RESISTANT
CLIPPED MULLION
SEE SEPARATE NOA

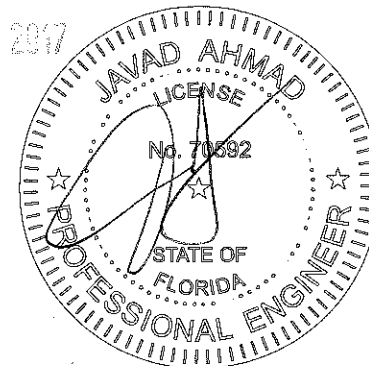
**INSTALLATION DETAILS
FRAMES WITHOUT FLANGE**



**INSTALLATION DETAILS
FRAMES WITH 1-3/16\"/>**

PRODUCT REVISED
as complying with the Florida
Building Code
Acceptance No 17-022710
Expiration Date 7/3/18
B. Ishag L. Ibrahim
Manufacturer Product Control

MAR 23 2017



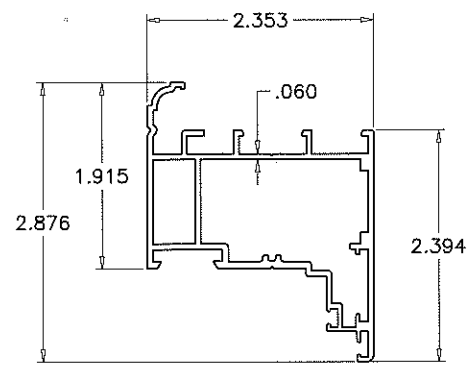
af c
AL-FAROOQ CORPORATION
ENGINEERS & PRODUCT DEVELOPMENT
9360 SUNSET DRIVE, SUITE 220 (C.A.N. 3538)
MIAMI, FLORIDA 33173
TEL. (305) 264-8100 FAX. (305) 262-6978
COMP-ANL\W08-31KUI

SERIES KORUS KA ALUMINUM OUTSWING DOOR (L.M.I.)
Officina Inc.
4141 N.E. 2nd Avenue, Suite #202
Miami, Fl. 33137
Tel. (786) 863-9503 Fax. (-)

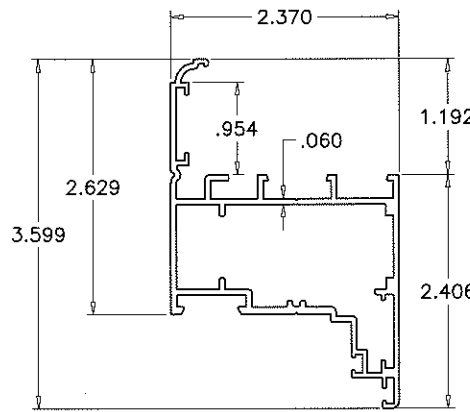
no	date	by	description
C	03.04.13		NO CHANGE THIS SHEET
D	06.04.13		REV. PER RER COMMENTS
E	07.12.13		REV. PER RER COMMENTS
F	02.23.17		REV. MANUF. NAME & 2014 FBC

date: 03-25-08
scale: 1/2" = 1"
dr. by: TARIQ
chk. by:

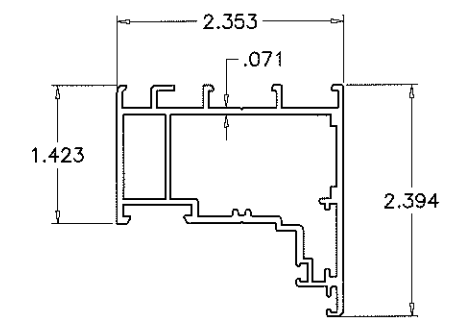
drawing no.
W08-31
sheet 6 of 8



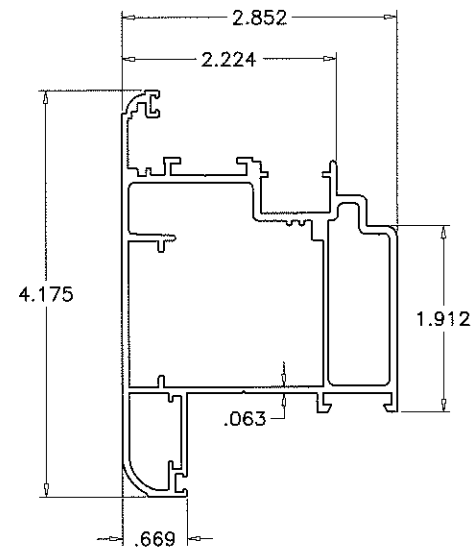
① DOOR FRAME (1/2" FLANGE)



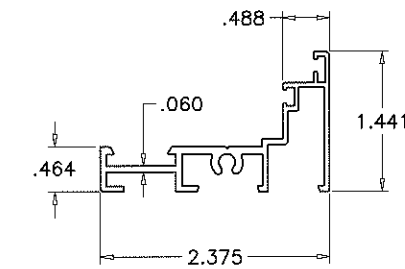
①A DOOR FRAME (1-3/16" FLANGE)



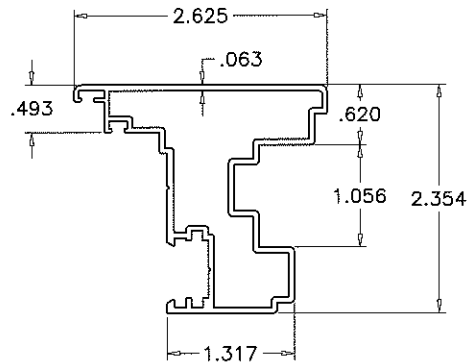
①B DOOR FRAME (WITHOUT FLANGE)



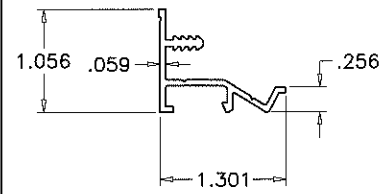
② LEAF FRAME



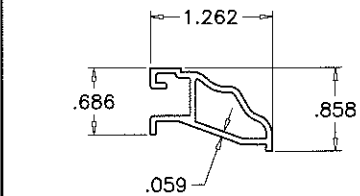
③ THRESHOLD



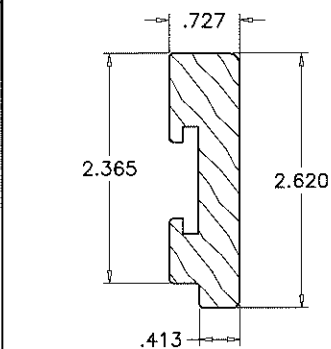
④ ASTRAGAL



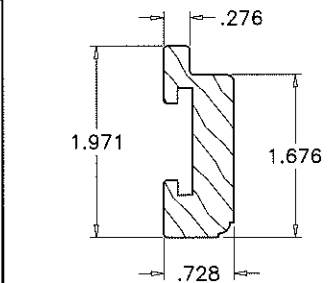
⑤ GLASS STOP



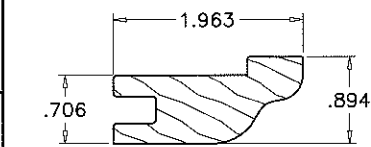
⑥ GLASS STOP COVER



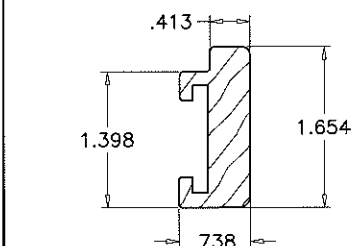
⑦ INTERIOR FRAME COVER



⑧ INTERIOR LEAF COVER

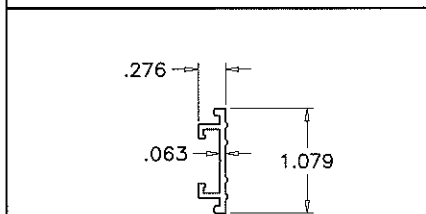


⑨ INTERIOR GLASS STOP COVER

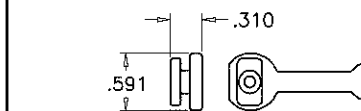


⑩ INTERIOR SILL COVER

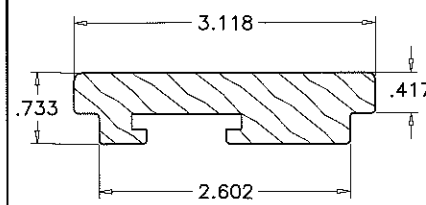
ITEM	PART #	QUANTITY	DESCRIPTION	MATERIAL	MANF./SUPPLIER/REMARKS
1	KA025	4/	DOOR	DOOR FRAME (1/2" FLANGE)	6060-T5 KORUS
1A	KA016	4/	DOOR	DOOR FRAME (1-3/16" FLANGE)	6060-T5 KORUS
1B	KA012	4/	DOOR	DOOR FRAME (WITHOUT FLANGE)	6060-T5 KORUS
2	KA015	4/	LEAF	LEAF FRAME	6060-T5 KORUS
3	KA008	1	THRESHOLD		6060-T5 KORUS
4	KA003	1	ASTRAGAL		6060-T5 KORUS
5	KA006	4/	LEAF	GLASS STOP	6060-T5 KORUS
6	KA007	AS REQD.	GLASS STOP COVER		6060-T5 KORUS
7	COP8069	4/	LEAF	EXTERIOR GLAZING GASKET	EPDM COMPLASTEX
8	COPOUP4W	4/	LEAF	INTERIOR GLAZING GASKET	EPDM COMPLASTEX
8A	COPOUP5W	4/	LEAF	INTERIOR GLAZING GASKET	EPDM COMPLASTEX
8B	COPOUP6W	4/	LEAF	INTERIOR GLAZING GASKET	EPDM COMPLASTEX
9	COP2217	AS REQD.	GLASS STOP HOOK GASKET		EPDM COMPLASTEX
10	COP02666	AS REQD.	EXTERIOR FRAME GASKET		EPDM COMPLASTEX
11	ALF7340	AS REQD.	INTERNAL GASKET		EPDM ALFASOLARE
12	FAP5603A	3/	LEAF	HINGE	CAST ALUM FAPIM
13	MON5007	AS REQD.	LEAF JOINING BRACKET		CAST ALUM MONTICELLI
14	MON5002	AS REQD.	FRAME JOINING BRACKET		CAST ALUM MONTICELLI
15	SIG896068	AS REQD.	CORNER JOINT		STEEL SIEGENIA
16	PONK20	AS REQD.	ALIGNING BRACKET		PA6 PONTINA STAMPI
17	-	AS REQD.	INTERIOR FRAME COVER		-
18	-	AS REQD.	INTERIOR LEAF COVER		-
19	-	AS REQD.	INTERIOR GLASS STOP COVER		-
20	-	AS REQD.	INTERIOR SILL COVER		-
21	C71808	AS REQD.	COVER RECEIVER CHANNEL (CONT.)		6060-T5 KORUS
22	PS002	AS REQD.	COVER LATCH AT 12" O.C.		CAST ALUM MONTICELLI
23	-	AS REQD.	INTERIOR ASTRAGAL COVER		-
24	#6 X 3/4"	1/	LATCH	LATCH INSTALLATION SCREWS	- FH SMS
25	COP020250	AS REQD.	FRAME W'STRIPPING GASKET		EPDM COMPLASTEX
26	-	1	MULTI POINT LOCK, SEE SHEET 2.1		- SIEGENIA



⑪ COVER RECEIVER CHANNEL



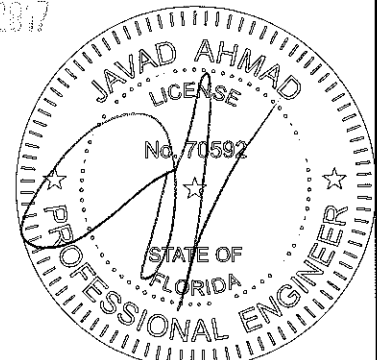
⑫ COVER LATCH



⑬ INTERIOR ASTRAGAL COVER

PRODUCT REVISED
as complying with the Florida
Building Code
Acceptance No 17-0227-10
Expiration Date 7/31/18
J. Ghany L. Ghany
McCauley Product Control

MAR 23 2017



af c
AL-FAROOQ CORPORATION
ENGINEERS & PRODUCT DEVELOPMENT
9360 SUNSET DRIVE, SUITE 220
MIAMI, FLORIDA 33173 (C.A.N. 3538)
TEL. (305) 264-8100 FAX. (305) 262-6978
COMP-ANL\W08-31KUI

SERIES KORUS KA ALUMINUM OUTSWING DOOR (L.M.I.)
Officina Inc.
4141 N.E. 2nd Avenue, Suite #202
Miami, Fl. 33137
Tel. (786) 863-9503 Fax. (-)

revisions:	no	date	by	description
	C	03.04.13		NO CHANGE THIS SHEET
	D	06.04.13		REV. PER RER COMMENTS
	E	07.12.13		REV. PER RER COMMENTS
	F	02.23.17		REV. MANUF. NAME & 2014 FBC

date: 03-25-08
scale: 1/2" = 1"
dr. by: TARIQ
chk. by:

drawing no.
W08-31
sheet 7 of 8



AL-FAROOQ CORPORATION
 ENGINEERS & PRODUCT DEVELOPMENT
 9360 SUNSET DRIVE, SUITE 220
 MIAMI, FLORIDA 33173 (C.A.N. 3538)
 TEL. (305) 264-8100 FAX. (305) 262-6978
 COMP-ANL\W08-31KUI

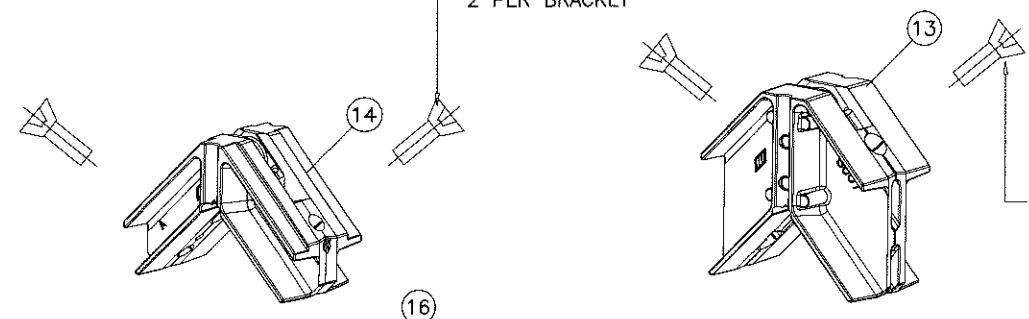
SERIES KORUS KA ALUMINUM OUTSWING DOOR (L.M.I.)
Officina Inc.
 4141 N.E. 2nd Avenue, Suite #202
 Miami, Fl. 33137
 Tel. (786) 863-9503 Fax. (-)

revisions:	no	date	description
	C	03.04.13	NO CHANGE THIS SHEET
	D	06.04.13	REV. PER PER COMMENTS
	E	07.12.13	NO CHANGE THIS SHEET
	F	02.23.17	REV. MANUF. NAME & 2014 FBC

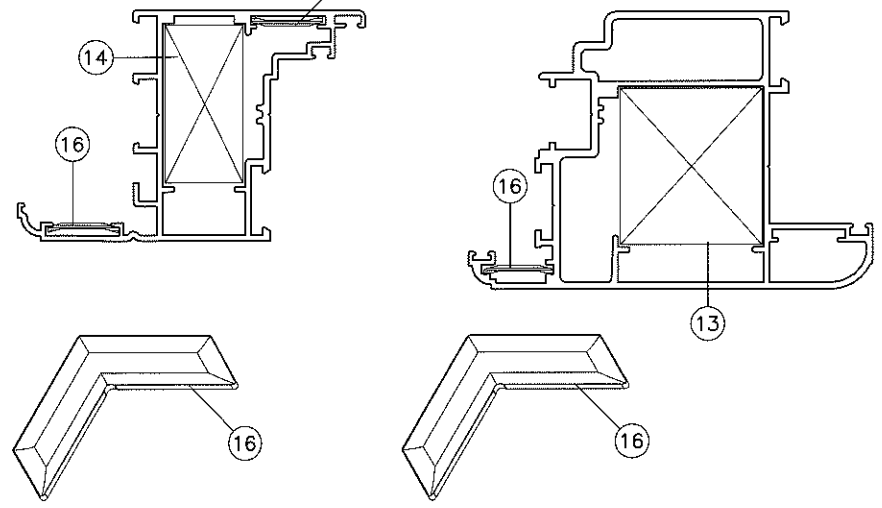
date: 03-25-08
 scale: 1/2" = 1"
 dr. by: TARIQ
 chk. by:

drawing no.
W08-31
 sheet 8 of 8

ASSEMBLY FASTENERS
 #8 X 3/4" THREADED SCREWS
 2 PER BRACKET



ASSEMBLY FASTENERS
 #8 X 3/4" THREADED SCREWS
 2 PER BRACKET

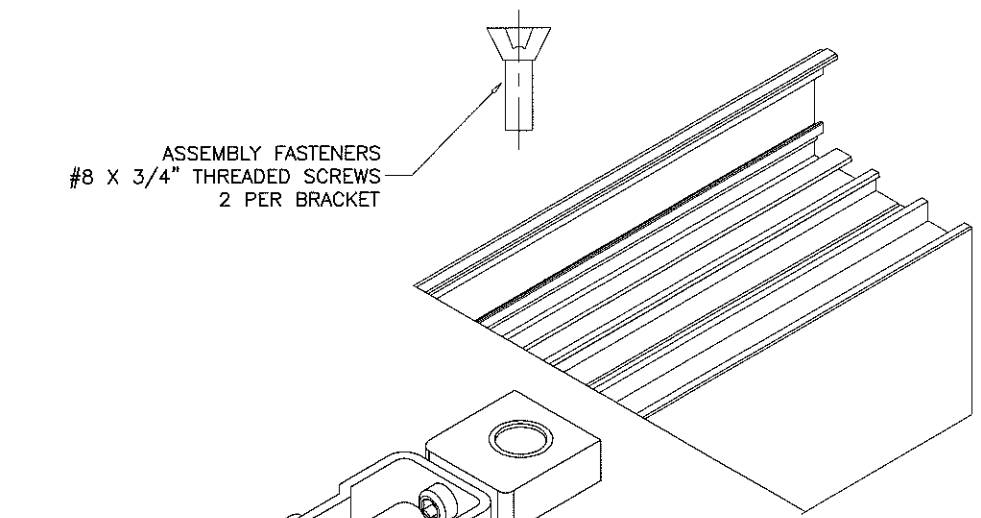


FRAME CORNER

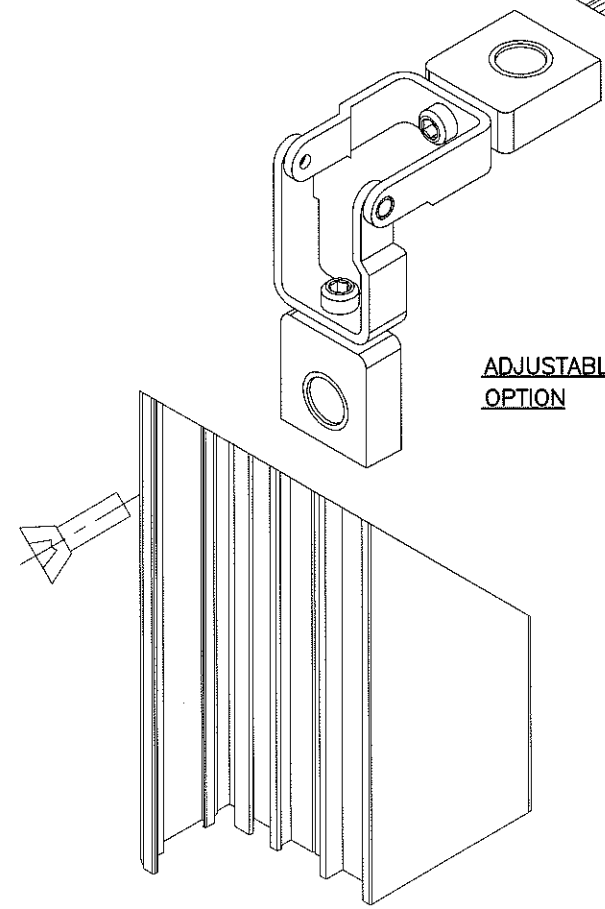
LEAF CORNER

MITER CUT FRAME AND LEAF CORNERS

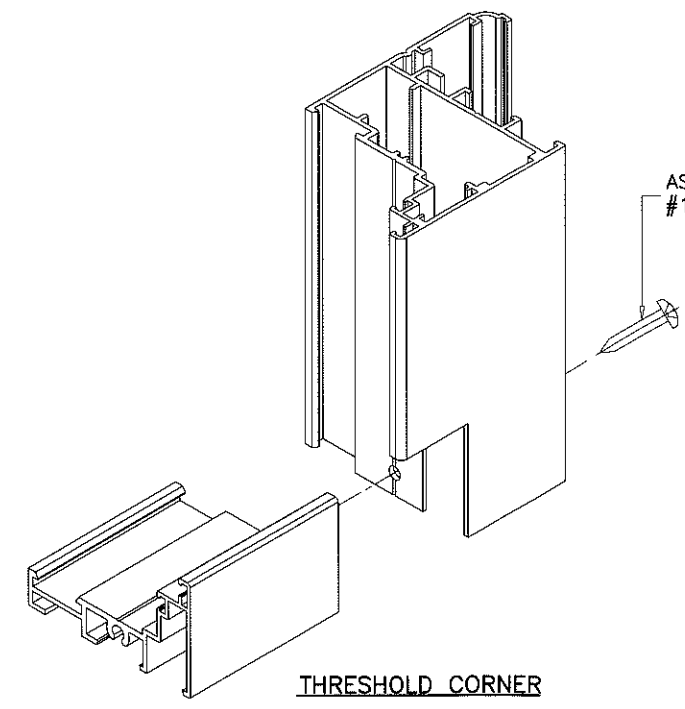
ASSEMBLY FASTENERS
 #8 X 3/4" THREADED SCREWS
 2 PER BRACKET



ADJUSTABLE CORNER KEY
 OPTION



ASSEMBLY FASTENER
 #10 X 2" SMS



THRESHOLD CORNER

PRODUCT REVISED
 to comply with the Florida
 Building Code
 Acceptance No. 17-0227-10
 Expiration Date July 03, 2018
 by Ishag I. Gharib
 Miami Door Product Control

MAR 23 2017

