



DEPARTMENT OF REGULATORY AND ECONOMIC RESOURCES (RER)  
BOARD AND CODE ADMINISTRATION DIVISION

MIAMI-DADE COUNTY  
PRODUCT CONTROL SECTION  
11805 SW 26 Street, Room 208  
Miami, Florida 33175-2474  
T (786) 315-2590 F (786) 315-2599  
[www.miamidade.gov/economy](http://www.miamidade.gov/economy)

**NOTICE OF ACCEPTANCE (NOA)**

**Lomanco, Inc.**  
**P.O. Box 519**  
**Jacksonville, AR 72076**

**SCOPE:**

This NOA is being issued under the applicable rules and regulations governing the use of construction materials. The documentation submitted has been reviewed and accepted by Miami-Dade County RER - Product Control Section to be used in Miami-Dade County and other areas where allowed by the Authority Having Jurisdiction (AHJ).

This NOA shall not be valid after the expiration date stated below. The Miami-Dade County Product Control Section (in Miami-Dade County) and/or the AHJ (in areas other than Miami-Dade County) reserve the right to have this product or material tested for quality assurance purposes. If this product or material fails to perform in the accepted manner, the manufacturer will incur the expense of such testing and the AHJ may immediately revoke, modify, or suspend the use of such product or material within their jurisdiction. RER reserves the right to revoke this acceptance, if it is determined by Miami-Dade County Product Control Section that this product or material fails to meet the requirements of the applicable building code.

This product is approved as described herein, and has been designed to comply with the Florida Building Code including the High Velocity Hurricane Zone of the Florida Building Code.

**DESCRIPTION: OSV-40 Solar Power Vent and Panel**

**LABELING:** Each unit shall bear a permanent label with the manufacturer's name or logo, city, state and following statement: "Miami-Dade County Product Control Approved", unless otherwise noted herein.

**RENEWAL** of this NOA shall be considered after a renewal application has been filed and there has been no change in the applicable building code negatively affecting the performance of this product.

**TERMINATION** of this NOA will occur after the expiration date or if there has been a revision or change in the materials, use, and/or manufacture of the product or process. Misuse of this NOA as an endorsement of any product, for sales, advertising or any other purposes shall automatically terminate this NOA. Failure to comply with any section of this NOA shall be cause for termination and removal of NOA.

**ADVERTISEMENT:** The NOA number preceded by the words Miami-Dade County, Florida, and followed by the expiration date may be displayed in advertising literature. If any portion of the NOA is displayed, then it shall be done in its entirety.

**INSPECTION:** A copy of this entire NOA shall be provided to the user by the manufacturer or its distributors and shall be available for inspection at the job site at the request of the Building Official.

This NOA renews NOA# 12-0315.03 and consists of pages 1 through 6.  
The submitted documentation was reviewed by Alex Tigera.



**NOA No.: 17-0321.03**  
**Expiration Date: 06/14/22**  
**Approval Date: 05/11/17**  
**Page 1 of 6**

## ROOFING SYSTEM APPROVAL

**Category:** Roofing  
**Sub-Category:** Ventilation  
**Material:** Aluminum

### TRADE NAMES OF PRODUCTS MANUFACTURED OR LABELED BY APPLICANT:

<u>Product</u>	<u>Dimensions</u>	<u>Test Specification</u>	<u>Product Description</u>
OSV-40 Omni Solar Vent	Width: 33-1/2" Length: 33-1/2" Height: 6-1/2"	TAS 100(A)	Attic vent with aluminum housing, powered by Omni Solar Panel, for shingle installation.
Omni Solar Panel (for OSV-40)	Width: 21-1/4" Length: 24-3/8" Height: 1"	TAS 100(A)	Bracket mounted Solar Panel used in conjunction with Omni Solar Vent (OSV40).

### MANUFACTURING LOCATION:

1. Jacksonville, AR

### EVIDENCE SUBMITTED:

<u>Test Agency</u>	<u>Test Identifier</u>	<u>Description</u>	<u>Date</u>
PRI Construction Materials Technologies	LOM-021-02-01	TAS100(A)	07/20/11
	LOM-024-02-01	TAS100(A)	03/05/12
	LOM-022-02-01	ASTM D 635	07/28/11
	LOM-023-02-01	ASTM D 1929	07/28/11
CSA International	5311-90	UL 1703	



NOA No.: 17-0321.03  
Expiration Date: 06/14/22  
Approval Date: 05/11/17  
Page 2 of 6

## APPROVED APPLICATIONS

**Trade name:** OSV-40 Omni Solar Vent with Solar Panel

**System Type A:** Mechanical attachment of attic vent over composition shingles

**Cutout:** At chosen location (see Lomanco's published instructions for proper placement) measuring down 24 to 36 inches from roof peak and centered between two roof rafters, drive a nail or drill a screw through the roof at the confirmed location so that it can be easily found on the roof outside.

Use the supplied template to mark the hole location and shingles to be trimmed. Position the template vertical center mark (A) in line with the nail driven from the inside of the attic or air space. Position the template horizontal center mark (B) in line with the nearest bottom of a course of shingles. Mark hole position and shingle trim area. Also mark the center position at the sides and bottom of template.

Drill a pilot hole inside the marked hole position and cut a 16" diameter hole through shingles and sheathing boards following the hole pattern.

Trim and remove shingles outside the marked trim line. **DO NOT CUT FELT PAPER.** Carefully remove roofing nails from the surrounding area so the flashing of the unit will slide under the shingles. Apply roofing cement around the edge of the vent opening.

**Installation:** With the side marked UP aimed toward the ridge, carefully slide the unit into place allowing the motor wiring to hang down into the vent opening. Align the center marks on the flashing to the center marks made from the template, this will ensure that the throat of the unit is centered over the vent opening.

Fasten the base to the roof decking with 12ga, 1-1/4" galvanized ring shank nails. Nails to be located around the vent flange 1-5/8" in from the edge and 5-1/32" o.c. A total of twenty-four (24) fasteners are to be utilized.

Finish installation by sealing any exposed nail heads or loose shingles with approved roofing cement.

**Omni Solar Panel** See Lomanco's published instructions for assembly of the mounting brackets.

**Installation:** Once panel placement is determined, mark edges of the mounting brackets to locate position. Mark a shingle tab under the solar panel where the wire will pass through. Follow Lomanco's published instructions for wiring. All holes must be sealed and loose shingle tabs must be secured with approved roofing cement.

Apply roof cement along the marked bracket position and set the solar panel assembly back into place over the roofing cement. Secure the bracket to the deck with #10 x 1-3/4" long phillips head truss screws. Fasteners are located in the mounting bracket flanges 3-1/4" in from the leading (downslope) edge and 4" o.c. thereafter. A total of eight (8) fasteners are to be utilized, 4 per bracket.

**Net Free Area:** Refer to manufacturers published literature

**Note:** **Apply roofing cement to seal all exposed flashing edges and seams.**



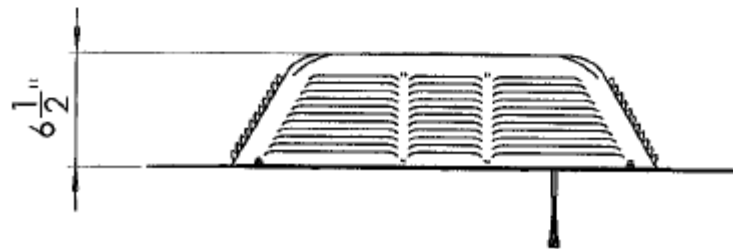
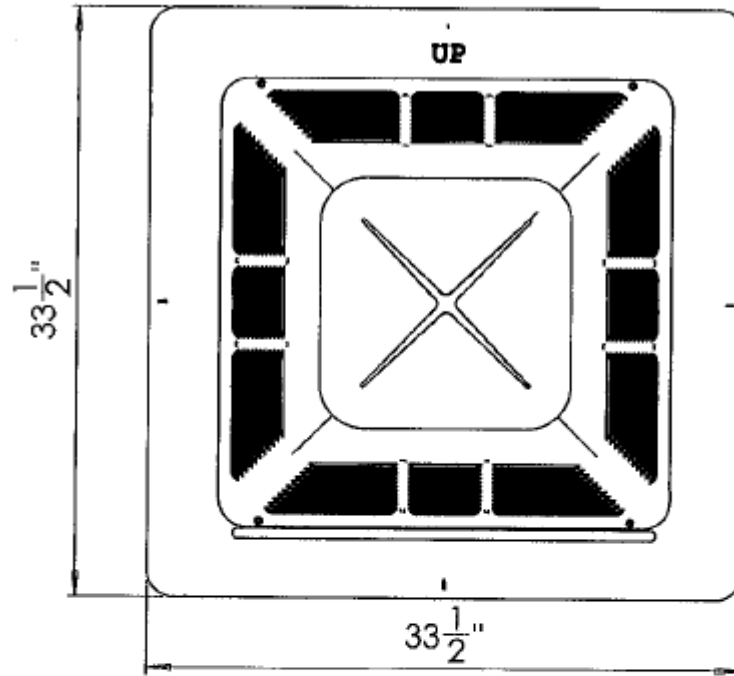
## **LIMITATIONS:**

1. Refer to applicable Building Codes for required ventilation.
2. This acceptance is for installations over asphalt shingle roof systems only.
3. OSV-40 Omni Solar Vent and Omni Solar Panel shall not be installed on roof mean heights greater than 33 feet.
4. All products listed herein shall have a quality assurance audit in accordance with the Florida Building Code and Rule 61G20-3 of the Florida Administrative Code.
5. All approved products listed herein shall be labeled and shall bear the imprint or identifiable marking of the manufacturer's name or logo and following statement: "Miami-Dade County Product Control Approved" or the Miami-Dade County Product Control Seal as shown below.



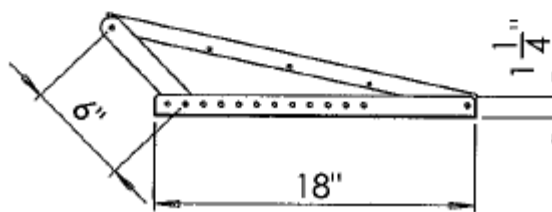
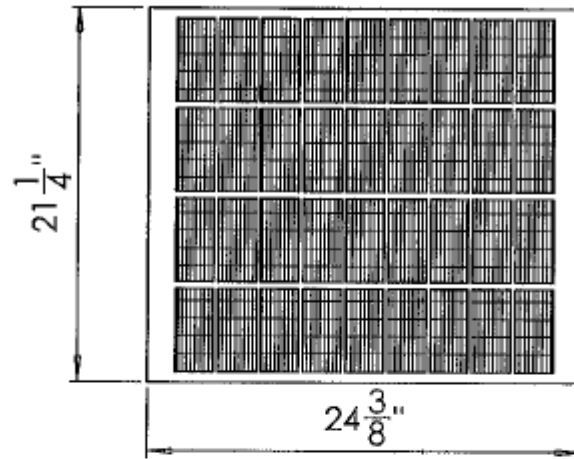
DETAIL DRAWINGS

OSV-40 OMNI SOLAR VENT



**DETAIL DRAWINGS (CONT'D)**

**OMNI SOLAR PANEL**



**END OF THIS ACCEPTANCE**

