



DEPARTMENT OF REGULATORY AND ECONOMIC RESOURCES (RER)  
BOARD AND CODE ADMINISTRATION DIVISION

**NOTICE OF ACCEPTANCE (NOA)**

MIAMI-DADE COUNTY  
PRODUCT CONTROL SECTION  
11805 SW 26 Street, Room 208  
T (786) 315-2590 F (786) 315-2599  
[www.miamidade.gov/economy](http://www.miamidade.gov/economy)

**Labrador & Fundora Corp.**  
dba V & V Windows  
2355 W 4<sup>th</sup> Avenue  
Hialeah, FL 33010-1454

**SCOPE:**

This NOA is being issued under the applicable rules and regulations governing the use of construction materials. The documentation submitted has been reviewed and accepted by Miami-Dade County RER-Product Control Section to be used in Miami-Dade County and other areas where allowed by the Authority Having Jurisdiction (AHJ).

This NOA shall not be valid after the expiration date stated below. The Miami-Dade County Product Control Section (In Miami-Dade County) and/ or the AHJ (in areas other than Miami-Dade County) reserve the right to have this product or material tested for quality assurance purposes. If this product or material fails to perform in the accepted manner, the manufacturer will incur the expense of such testing and the AHJ may immediately revoke, modify, or suspend the use of such product or material within their jurisdiction. RER reserves the right to revoke this acceptance, if it is determined by Miami-Dade County Product Control Section that this product or material fails to meet the requirements of the applicable building code.

This product is approved as described herein, and has been designed to comply with the Florida Building Code, including the High Velocity Hurricane Zone.

**DESCRIPTION: Series "1200" Aluminum Horizontal Rolling Window – N.I.**

**APPROVAL DOCUMENT:** Drawing No. **W07-50**, titled "Series 1200 Alum. Horiz. Rolling Wdw. (N.I.)", sheets 01 through 06 of 06, dated 05/29/07 with revision "E" dated 05/15/17, prepared by Al-Farooq Corporation, signed and sealed by Javad Ahmad, P. E., bearing the Miami-Dade County Product Control Section Revision stamp with the Notice of Acceptance number and Expiration date by the Miami-Dade County Product Control Section.

**MISSILE IMPACT RATING: None.**

**LABELING:** Each unit shall bear a permanent label with the manufacturer's name or logo, city, state, series, and following statement: "Miami-Dade County Product Control Approved", unless otherwise noted herein.

**RENEWAL** of this NOA shall be considered after a renewal application has been filed and there has been no change in the applicable building code negatively affecting the performance of this product.

**TERMINATION** of this NOA will occur after the expiration date or if there has been a revision or change in the materials, use, and/ or manufacture of the product or process. Misuse of this NOA as an endorsement of any product, for sales, advertising or any other purposes shall automatically terminate this NOA. Failure to comply with any section of this NOA shall be cause for termination and removal of NOA.

**ADVERTISEMENT:** The NOA number preceded by the words Miami-Dade County, Florida, and followed by the expiration date may be displayed in advertising literature. If any portion of the NOA is displayed, then it shall be done in its entirety.

**INSPECTION:** A copy of this entire NOA shall be provided to the user by the manufacturer or its distributors and shall be available for inspection at the job site at the request of the Building Official.

This NOA **revises and renews** NOA No. **15-0311.03** and consists of this page 1 and evidence pages E-1 and E-2, as well as approval document mentioned above.

The submitted documentation was reviewed by **Jorge M. Plasencia, P. E.**



*Jorge M. Plasencia*  
8/24/17

NOA No. 17-0517.02  
Expiration Date: September 27, 2022  
Approval Date: August 24, 2017  
Page 1

NOTICE OF ACCEPTANCE: EVIDENCE SUBMITTED

**A. DRAWINGS**

1. Manufacturer's die drawings and sections.  
*(Submitted under NOA No. 07-0612.10)*
2. Drawing No. **W07-50**, titled "Series 1200 Alum. Horiz. Rolling Wdw. (N.I.)", sheets 01 through 06 of 06, dated 05/29/07 with revision "E" dated 05/15/17, prepared by Al-Farooq Corporation, signed and sealed by Javad Ahmad, P. E.

**B. TESTS**

1. Test reports on:
  - 1) Air Infiltration Test, per FBC, TAS 202-94
  - 2) Uniform Static Air Pressure Test, Loading per FBC, TAS 202-94
  - 3) Water Resistance Test, per FBC, TAS 202-94
  - 4) Forced Entry Test, per FBC 2411.3.2.1, and TAS 202-94Qualifying AAMA 1302.5 Performance Tests A, B, C, D, E, F & G along with marked-up drawings and installation diagram of horizontal slider non-impact window, prepared by American Test Lab of South Florida, Inc., Test Report No. **ATLSF-0103.01-06**, dated 05/09/07, signed and sealed by Henry Hattem, P. E. and by William R. Mehner, P. E.  
*(Submitted under NOA No. 07-0612.10)*

**C. CALCULATIONS**

1. Anchor verification calculations and structural analysis, complying with **FBC 5<sup>th</sup> Edition (2014)** and **FBC 6<sup>th</sup> Edition (2017)**, prepared by Al-Farooq Corporation, dated 02/09/15, revised dated 07/31/15, signed and sealed by Javad Ahmad, P. E.  
*(Submitted under previous NOA No. 15-0311.03)*
2. **Glazing complies with ASTM E1300-04/09**

**D. QUALITY ASSURANCE**


1. Miami-Dade Department of Regulatory and Economic Resources (RER).

**E. MATERIAL CERTIFICATIONS**

1. None.

**F. STATEMENTS**

1. Statement letter of no financial interest, of conformance and of complying with **FBC 5<sup>th</sup> Edition (2014)**, issued by Al-Farooq Corporation, dated 05/15/17, signed and sealed by Javad Ahmad, P. E.
2. Statement letter of conformance and of complying with **FBC 6<sup>th</sup> Edition (2017)**, issued by Al-Farooq Corporation, dated 06/27/17, signed and sealed by Javad Ahmad, P. E.

  
\_\_\_\_\_  
Jorge M. Plasencia, P. E.  
Product Control Unit Supervisor  
NOA No. 17-0517.02  
Expiration Date: September 27, 2022  
Approval Date: August 24, 2017


NOTICE OF ACCEPTANCE: EVIDENCE SUBMITTED

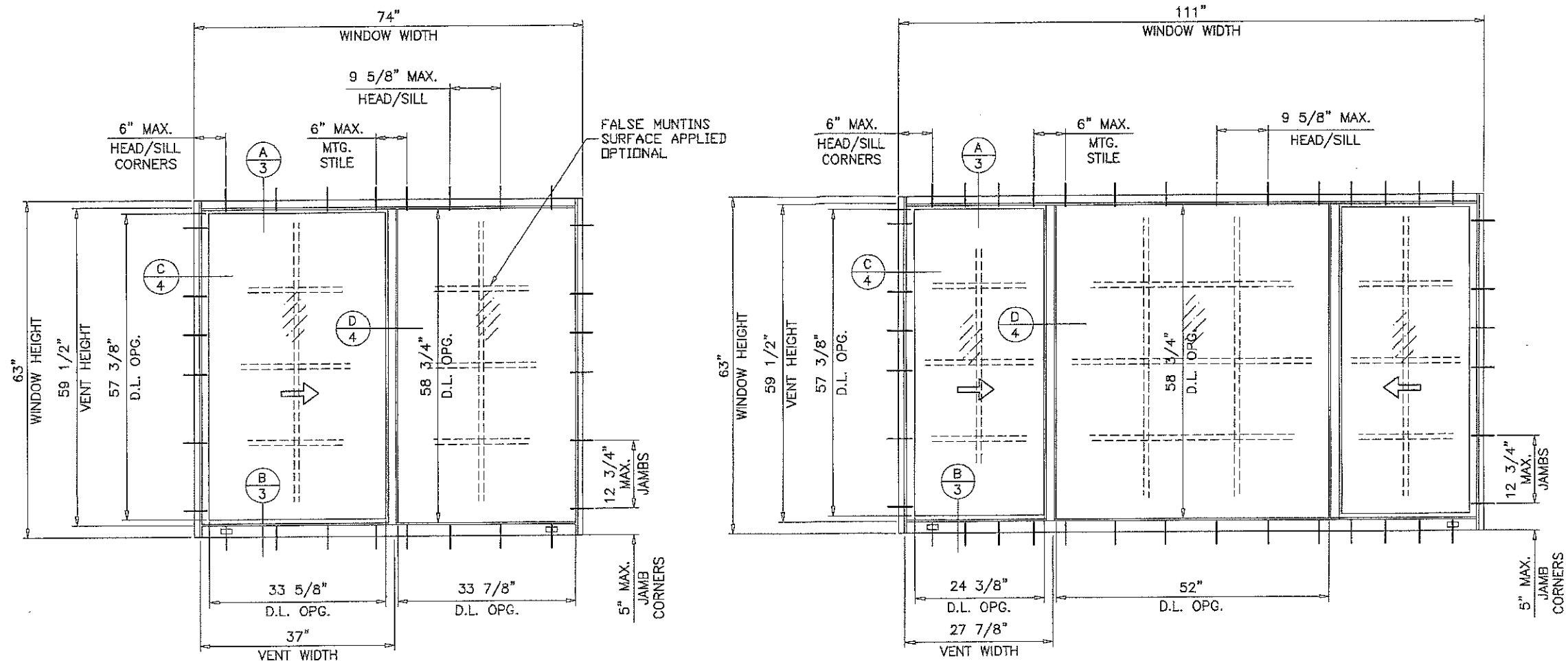
**F. STATEMENTS (CONTINUED)**

3. Laboratory compliance letter for Test Report No. **ATLSF-0103.01-06**, issued by American Test Lab of South Florida, Inc., dated 05/09/07, signed and sealed by Henry Hattem, P. E. and by William R. Mehner, P. E.  
*(Submitted NOA No. 07-0612.10)*
4. Proposal No. **09-1140** issued by the Product Control, dated 08/17/09, signed by Renzo Narciso.  
*(Submitted under NOA No. 07-0612.10)*

**G. OTHERS**

1. Notice of Acceptance No. **15-0311.03**, issued to Labrador & Fundora Corp. dba V & V Windows for their Series "1200 Aluminum Horizontal Rolling Window - N.I.", approved on 08/13/15 and expiring on 09/27/17.

  
\_\_\_\_\_  
Jorge M. Plasencia, P. E.  
Product Control Unit Supervisor  
NOA No. 17-0517.02  
Expiration Date: September 27, 2022  
Approval Date: August 24, 2017



TYPICAL ELEVATIONS

**SERIES 1200**  
**ALUMINUM HORIZONTAL SLIDING WINDOW**

APPROVAL APPLIES TO SINGLE UNITS OR SIDE BY SIDE COMBINATIONS OF H.S./H.S. OR HORIZONTAL SLIDING WITH OTHER WINDOW TYPES IN MODULES OF TWO OR MORE WINDOWS USING MIAMI-DADE COUNTY APPROVED MULLIONS IN BETWEEN. LOWER DESIGN PRESSURE FROM WINDOWS OR MULLION APPROVAL WILL APPLY TO ENTIRE SYSTEM.

THIS PRODUCT HAS BEEN DESIGNED AND TESTED TO COMPLY WITH THE REQUIREMENTS OF THE 2014 (5TH EDITION)/2017 (6TH EDITION) FLORIDA BUILDING CODE INCLUDING HIGH VELOCITY HURRICANE ZONE (HVHZ).

1BY OR 2BY WOOD BUCKS & BUCK FASTENERS BY OTHERS, MUST BE DESIGNED AND INSTALLED ADEQUATELY TO TRANSFER APPLIED PRODUCT LOADS TO THE BUILDING STRUCTURE.

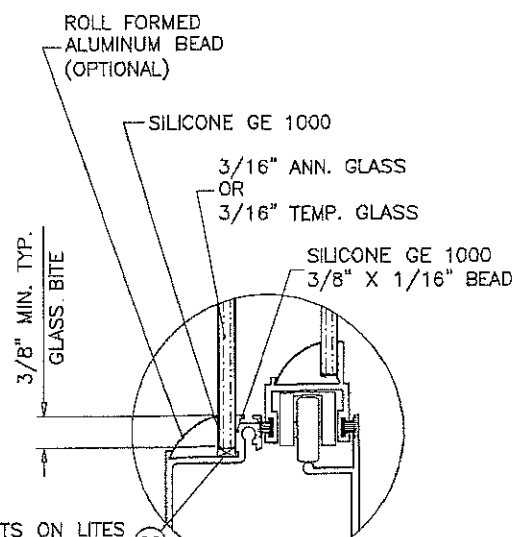
ANCHORS SHALL BE CORROSION RESISTANT, SPACED AS SHOWN ON DETAILS AND INSTALLED PER MANUF'S INSTRUCTIONS. SPECIFIED EMBEDMENT TO BASE MATERIAL SHALL BE BEYOND WALL DRESSING OR STUCCO.

A LOAD DURATION INCREASE IS USED IN DESIGN OF ANCHORS INTO WOOD ONLY.

ALL SHIMS TO BE HIGH IMPACT, NON-METALLIC AND NON-COMPRESSIBLE.

MATERIALS INCLUDING BUT NOT LIMITED TO STEEL/METAL SCREWS, THAT COME INTO CONTACT WITH OTHER DISSIMILAR MATERIALS SHALL MEET THE REQUIREMENTS OF THE 2014/2017 FLORIDA BLDG. CODE & ADOPTED STANDARDS.

THIS PRODUCT APPROVAL IS GENERIC AND DOES NOT PROVIDE INFORMATION FOR A SITE SPECIFIC PROJECT, I.E. LIFE SAFETY OF THIS PRODUCT, ADEQUACY OF STRUCTURE RECEIVING THIS PRODUCT AND SEALING AROUND OPENING FOR WATER INFILTRATION RESISTANCE ETC. CONDITIONS NOT SHOWN IN THIS DRAWING ARE TO BE ANALYZED SEPARATELY, AND TO BE REVIEWED BY BUILDING OFFICIAL.



AT 1/4 POINTS ON LITES WIDER THAN 36" ONLY

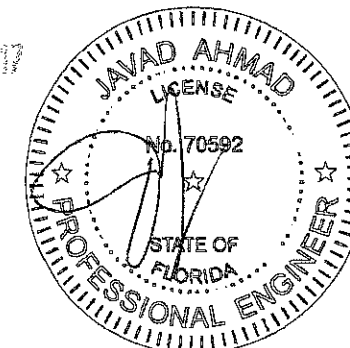
GLAZING DETAIL

WINDOWS NOT RATED FOR IMPACT.  
INSTALLATION OF THIS PRODUCT IN THE HVHZ AREA REQUIRES THE USE OF APPROVED SHUTTERS OR EXTERNAL PROTECTION DEVICES COMPLYING WITH HVHZ REQUIREMENTS.  
INSTALLATION OF THIS SYSTEM OUTSIDE THE HVHZ AREA SHALL MEET THE APPLICABLE REQUIREMENTS FOR WIND BORNE DEBRIS PROTECTION.

**PRODUCT REVISED**  
as complying with the Florida Building Code  
NOA-No. **17-0517.02**

Expiration Date **09/27/2022**

By   
Miami-Dade Product Control



**af c**  
**AL-FAROOQ CORPORATION**  
ENGINEERS & PRODUCT DEVELOPMENT  
9360 SUNSET DRIVE, SUITE 220  
MIAMI, FLORIDA 33173 (C.A.N. 3698)  
TEL. (305) 264-9100 FAX. (305) 262-6978  
COMP-ANL\W07-50W

SERIES 1200 ALUM. HORIZONTAL ROLLING WDW. (N.I.)  
Labrador & Fundora Corp.  
dba-V & V Windows  
2355 West 4th Ave.  
Hialeah, Fl. 33010  
TEL. (305) 888-4151 FAX. (305) 888-1042

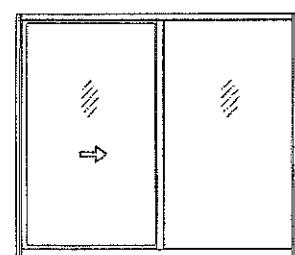
NO.	DATE	BY	DESCRIPTION
A	08.23.07		REV. PER BOCO COMMENTS
B	02.16.12		UPDATED TO 2010 FBC
C	02.11.15		UPDATED TO 2014 FBC
D	07.27.15		REV. PER PER COMMENTS
E	05.15.17		EDITORIAL CHANGES ONLY

date: 05-29-07  
scale: 1/2"=1'-0"  
dr. by: TARIQ  
chk. by:

drawing no.  
**W07-50**  
sheet 1 of 6

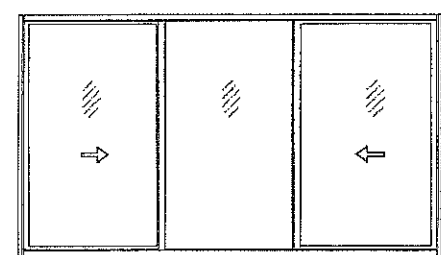
DESIGN LOAD CAPACITY - PSF (XO OR OX SIZES)						
WINDOW DIMS.		A	3/16" ANN. GLASS		3/16" TEMP. GLASS	
WIDTH	HEIGHT		EXT.(+)	INT.(-)	EXT.(+)	INT.(-)
24"	24" (3)	4	73.3	125.0	73.3	125.0
36"		4	73.3	125.0	73.3	125.0
48"		6	73.3	125.0	73.3	125.0
60"		8	73.3	125.0	73.3	125.0
72"		8	73.3	125.0	73.3	125.0
24"	36" (4)	4	73.3	125.0	73.3	125.0
36"		4	73.3	125.0	73.3	125.0
48"		6	73.3	125.0	73.3	125.0
60"		8	73.3	105.7	73.3	125.0
72"		8	73.3	87.7	73.3	125.0
24"	48" (4)	4	73.3	125.0	73.3	125.0
36"		4	73.3	105.5	73.3	125.0
48"		6	73.3	85.8	73.3	123.9
60"		8	73.3	74.8	73.3	108.1
72"		8	67.6	67.6	73.3	99.1
24"	60" (5)	4	73.3	114.3	73.3	125.0
36"		4	73.3	80.7	73.3	116.6
48"		6	64.3	64.3	73.3	92.9
60"		8	54.9	54.9	73.3	79.3
72"		8	49.0	49.0	70.8	70.8
26-1/2"	26" (3)	4	73.3	125.0	73.3	125.0
37"		4	73.3	125.0	73.3	125.0
53-1/8"		6	73.3	125.0	73.3	125.0
74"	8	73.3	117.5	73.3	125.0	
26-1/2"	38-3/8" (4)	4	73.3	125.0	73.3	125.0
37"		4	73.3	125.0	73.3	125.0
53-1/8"		6	73.3	109.8	73.3	125.0
74"		8	73.3	80.3	73.3	117.7
26-1/2"	50-5/8" (4)	4	73.3	125.0	73.3	125.0
37"		4	73.3	96.8	73.3	125.0
53-1/8"		6	73.3	74.7	73.3	107.9
74"		8	62.3	62.3	73.3	90.0
26-1/2"	63" (6)	4	73.3	99.2	73.3	125.0
37"		4	73.3	74.5	73.3	107.6
53-1/8"		6	56.1	56.1	73.3	81.0
74"		8	45.0	45.0	65.0	65.0

A = NO. OF ANCHORS PER HEAD & SILL  
( ) = NO. OF ANCHORS PER JAMB



DESIGN LOAD CAPACITY - PSF (XOX SIZES)										
WINDOW DIMS.		A	3/16" ANN. GLASS AT VENT		3/16" ANN. GLASS AT FIX. LITE		3/16" TEMP. GLASS AT VENT		3/16" TEMP. GLASS AT FIX. LITE	
WIDTH	HEIGHT		EXT.(+)	INT.(-)	EXT.(+)	INT.(-)	EXT.(+)	INT.(-)	EXT.(+)	INT.(-)
72"	24" (3)	9	73.3	125.0	73.3	125.0	73.3	125.0	73.3	125.0
84"		12	73.3	125.0	73.3	125.0	73.3	125.0	73.3	125.0
96"		12	73.3	125.0	73.3	125.0	73.3	125.0	73.3	125.0
108"		12	73.3	125.0	73.3	125.0	73.3	125.0	73.3	125.0
72"		36" (4)	9	73.3	125.0	73.3	125.0	73.3	125.0	73.3
84"	12		73.3	113.4	73.3	113.4	73.3	125.0	73.3	125.0
96"	12		73.3	99.3	73.3	99.3	73.3	125.0	73.3	125.0
108"	12		73.3	87.9	73.3	87.9	73.3	125.0	73.3	125.0
72"	48" (4)		9	73.3	85.8	73.3	92.7	73.3	123.9	73.3
84"		12	73.3	77.8	73.3	79.1	73.3	112.4	73.3	112.4
96"		12	72.4	72.4	72.6	72.6	73.3	104.5	73.3	104.5
108"		12	67.7	67.7	67.7	67.7	73.3	99.1	73.3	99.1
72"		60" (5)	9	64.3	64.3	73.3	76.3	73.3	92.9	73.3
84"	12		57.5	57.5	59.9	59.9	73.3	83.1	73.3	83.1
96"	12		52.6	52.6	-	-	73.3	76.0	73.3	76.0
108"	12		49.0	49.0	-	-	70.8	70.8	70.8	70.8
74"	26" (3)		9	73.3	125.0	73.3	125.0	73.3	125.0	73.3
106-1/4"		12	73.3	124.3	73.3	124.3	73.3	125.0	73.3	125.0
111"		13	73.3	117.9	73.3	117.9	73.3	125.0	73.3	125.0
74"	38-3/8" (4)	9	73.3	115.3	73.3	118.1	73.3	125.0	73.3	125.0
106-1/4"		12	73.3	84.6	73.3	84.6	73.3	118.3	73.3	118.3
111"		13	73.3	80.5	73.3	80.5	73.3	117.7	73.3	117.7
74"	50-5/8" (4)	9	73.3	78.4	73.3	84.4	73.3	113.3	73.3	113.3
106-1/4"		12	63.6	63.6	-	-	73.3	91.8	73.3	91.8
111"		13	62.3	62.3	-	-	73.3	90.0	73.3	90.0
74"	63" (6)	9	59.3	59.3	70.3	70.3	73.3	85.6	73.3	85.6
106-1/4"		12	46.2	46.2	-	-	66.7	66.7	66.7	66.7
111"		13	45.0	45.0	-	-	65.0	65.0	65.0	65.0

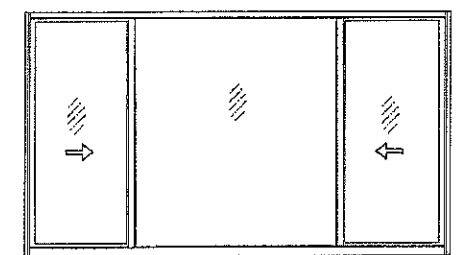
A = NO. OF ANCHORS PER HEAD & SILL  
( ) = NO. OF ANCHORS PER JAMB



OPERATING VENTS TO BE 1/3 OF THE WINDOW WIDTH

DESIGN LOAD CAPACITY - PSF (XOX SIZES)												
WINDOW DIMS.		A	WITHOUT REINFORCING				WITH REINFORCING					
WIDTH	HEIGHT		3/16" ANN. GLASS AT VENT		3/16" ANN. GLASS AT FIX. LITE		3/16" TEMP. GLASS AT VENT		3/16" TEMP. GLASS AT FIX. LITE			
WIDTH	HEIGHT	EXT.(+)	INT.(-)	EXT.(+)	INT.(-)	EXT.(+)	INT.(-)	EXT.(+)	INT.(-)	EXT.(+)	INT.(-)	
72"	24" (3)	10	73.3	125.0	73.3	125.0	73.3	125.0	73.3	125.0	73.3	125.0
84"		11	73.3	116.0	73.3	125.0	73.3	125.0	73.3	125.0	73.3	125.0
96"		12	73.3	99.5	73.3	125.0	73.3	125.0	73.3	125.0	73.3	125.0
108"		14	73.3	89.1	73.3	125.0	73.3	125.0	73.3	125.0	73.3	125.0
72"		36" (4)	10	73.3	91.9	73.3	125.0	73.3	125.0	73.3	125.0	73.3
84"	11		73.3	80.5	73.3	125.0	73.3	125.0	73.3	125.0	73.3	125.0
96"	12		70.1	70.1	73.3	125.0	73.3	125.0	73.3	125.0	73.3	125.0
108"	14		60.4	60.4	73.3	125.0	73.3	125.0	73.3	125.0	73.3	125.0
72"	48" (4)		10	69.6	69.6	73.3	102.5	73.3	120.1	73.3	121.1	73.3
84"		11	62.5	62.5	73.3	95.0	73.3	111.4	73.3	112.3	73.3	112.3
96"		12	54.8	54.8	73.3	90.6	73.3	106.2	73.3	107.0	73.3	107.0
108"		14	-	-	73.3	87.6	-	-	73.3	103.6	73.3	103.6
72"		60" (5)	10	51.6	51.6	73.3	75.1	73.3	88.1	73.3	88.8	73.3
84"	11		-	-	68.2	68.2	-	-	73.3	80.6	73.3	80.6
96"	12		-	-	63.4	63.4	-	-	73.3	74.9	73.3	74.9
108"	14		-	-	60.1	60.1	-	-	71.0	71.0	71.0	71.0
74"	26" (3)		10	73.3	124.8	73.3	125.0	73.3	125.0	73.3	125.0	73.3
106-1/4"		12	73.3	79.5	73.3	125.0	73.3	125.0	73.3	125.0	73.3	125.0
111"		14	73.3	76.0	73.3	125.0	73.3	125.0	73.3	125.0	73.3	125.0
74"	38-3/8" (4)	10	73.3	84.9	73.3	125.0	73.3	125.0	73.3	125.0	73.3	125.0
106-1/4"		12	59.8	59.8	73.3	125.0	73.3	125.0	73.3	125.0	73.3	125.0
111"		14	56.6	56.6	73.3	125.0	73.3	125.0	73.3	125.0	73.3	125.0
74"	50-5/8" (4)	10	64.3	64.3	73.3	93.4	73.3	109.5	73.3	110.4	73.3	110.4
106-1/4"		12	-	-	73.3	80.3	-	-	73.3	94.9	73.3	94.9
111"		14	-	-	73.3	79.3	-	-	73.3	93.8	73.3	93.8
74"	63" (6)	10	47.6	47.6	69.1	69.1	73.3	81.1	73.3	81.7	73.3	81.7
106-1/4"		12	-	-	56.1	56.1	-	-	66.3	66.3	66.3	66.3
111"		14	-	-	55.0	55.0	-	-	65.0	65.0	65.0	65.0


A = NO. OF ANCHORS PER HEAD & SILL  
( ) = NO. OF ANCHORS PER JAMB

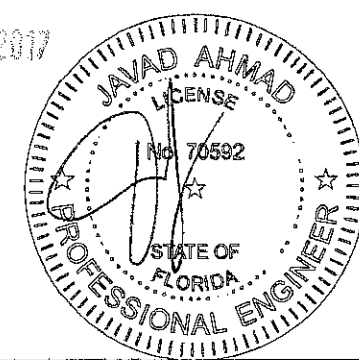


OPERATING VENTS TO BE 1/4 OF THE WINDOW WIDTH

ALL EXTERIOR(+) LOADS SHOWN ON THIS SHEET ARE FOR WINDOWS WITH APPLIED RISER AT FRAME SILL FOR STD. SILL (NO RISER) LIMIT EXTERIOR(+) LOADS TO 65.0 PSF SEE DETAIL ON SHEET 3.

NOTE:  
GLASS CAPACITIES ARE BASED ON  
ASTM E1300-09 (3 SEC. GUSTS)  
AND FLORIDA BUILDING COMMISSION  
DECLARATORY STATEMENT DCA05-DEC-219

**PRODUCT REVISED**  
as complying with the Florida  
Building Code  
NOA-No. **17-0517.02**  
Expiration Date **09/27/2022**  
By   
Miami-Dade Product Control

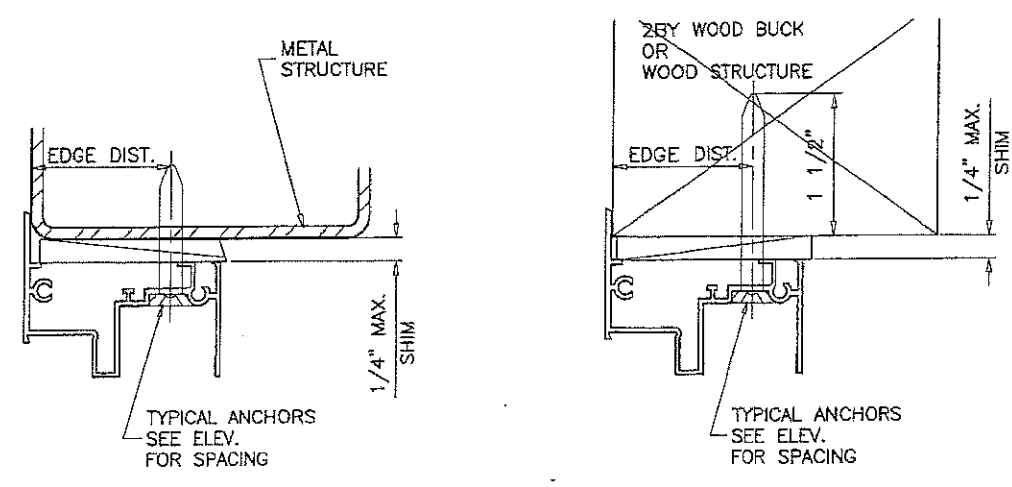
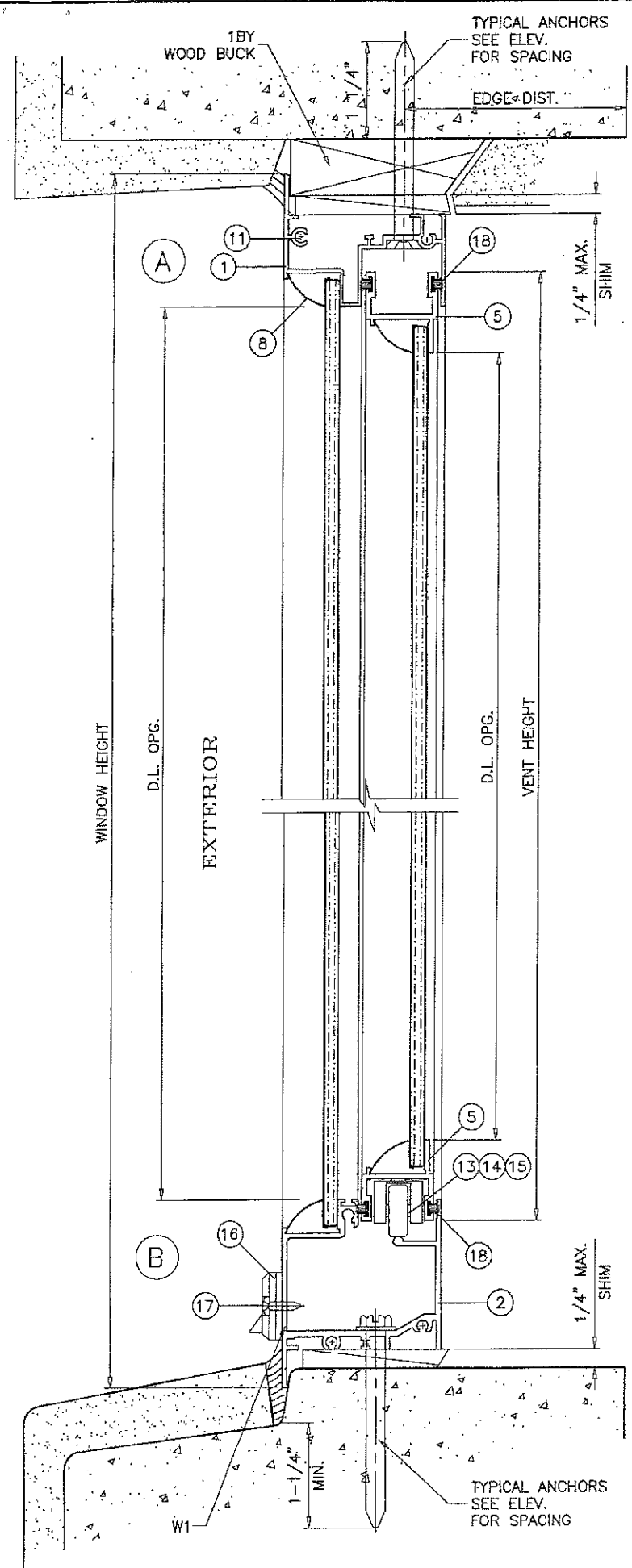


**AL-FAROOQ CORPORATION**  
ENGINEERS & PRODUCT DEVELOPMENT  
9360 SUNSET DRIVE, SUITE 220  
MIAMI, FLORIDA 33173  
TEL. (305) 264-8100 FAX. (305) 262-6978  
COMP-ANL/W07-50W

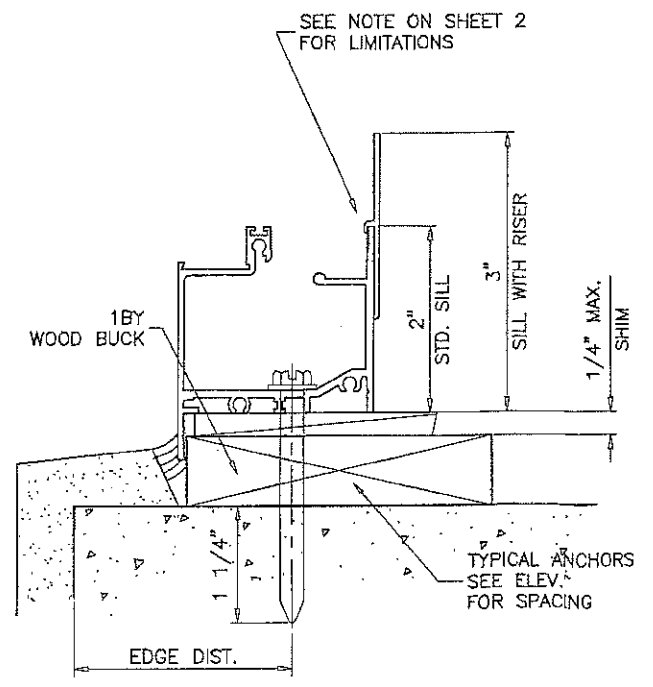
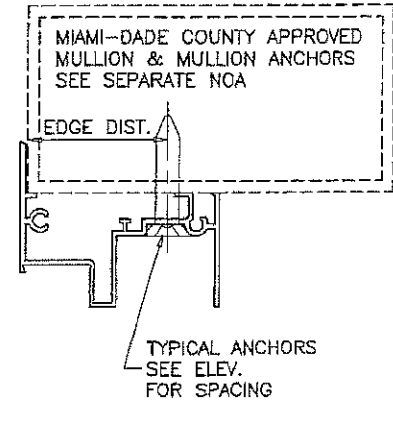
SERIES 1200 ALUM HORIZONTAL ROLLING WDW. (N.I.)  
Labrador & Fundora Corp.  
dba-V & V Windows  
2355 West 4th Ave.  
Hialeah, FL 33010  
TEL. (305) 888-4151 FAX. (305) 888-1042

NO.	DATE	BY	DESCRIPTION
A	08.23.07		REV. PER BCCO COMMENTS
B	02.16.12		UPDATED TO 2010 FBC
C	02.11.15		UPDATED TO 2014 FBC
D	07.27.15		NO CHANGE THIS SHEET
E	05.15.17		EDITORIAL CHANGES ONLY

date: 05-29-07  
scale: 1/2"=1'-0"  
dr. by: TARIQ  
chk. by:  
drawing no. **W07-50**  
sheet 2 of 6



WOOD BUCKS AND METAL STRUCTURE NOT BY V & V WINDOWS MUST SUSTAIN LOADS IMPOSED BY GLAZING SYSTEM AND TRANSFER THEM TO THE BUILDING STRUCTURE.

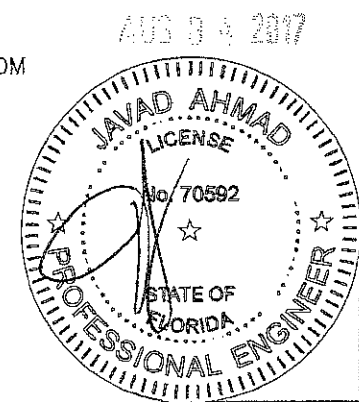


**TYPICAL ANCHORS:** SEE ELEV. FOR SPACING  
 1/4" DIA. ULTRACON BY 'ELCO' (Fu=177 KSI, Fy=155 KSI)  
 INTO 2BY WOOD BUCKS OR WOOD STRUCTURES  
 1-1/2" MIN. PENETRATION INTO WOOD (HEAD/SILL/JAMBS)  
 THRU 1BY BUCKS INTO CONC. OR MASONRY  
 1-1/4" MIN. EMBED INTO CONCRETE (HEAD/SILL)  
 1-1/4" MIN. EMBED INTO CONC. OR MASONRY (JAMBS)  
 DIRECTLY INTO CONC. OR MASONRY  
 1-1/4" MIN. EMBED INTO CONCRETE (HEAD/SILL)  
 1-1/4" MIN. EMBED INTO CONC. OR MASONRY (JAMBS)  
 #14 SMS OR SELF DRILLING SCREWS (GRADE 2 CRS)  
 INTO MIAMI-DADE COUNTY APPROVED MULLIONS (MIN. THK. = 1/8")  
 INTO METAL STRUCTURES  
 STEEL : 1/8" THK. MIN. (Fy = 36 KSI MIN.)  
 ALUMINUM : 1/8" THK. MIN. (6063-T5 MIN.)  
 (STEEL IN CONTACT WITH ALUMINUM TO BE PLATED OR PAINTED)  
**TYPICAL EDGE DISTANCE**  
 INTO CONCRETE AND MASONRY = 2-1/2" MIN.  
 INTO WOOD STRUCTURE = 1" MIN.  
 INTO METAL STRUCTURE = 3/4" MIN.  
 WOOD AT HEAD, SILL OR JAMBS SG = 0.55 MIN.  
 CONCRETE AT HEAD, SILL OR JAMBS f'c = 3000 PSI MIN.  
 C-90 HOLLOW/FILLED NORMAL WEIGHT BLOCK AT JAMBS f'm = 2000 PSI MIN.

**SEALANTS:**  
 ALL JOINTS AND FRAME CONNECTIONS SEALED WITH ACRYLIC CAULK UN1993 BY 'SCHNEE MOREHEAD'.

**WEEPHOLES:**  
 W1 = 3/8" X 1/8" WEEPHOLES AT 5" FROM EACH END WITH PLASTIC BAFFLE.

**PRODUCT REVISED**  
 as complying with the Florida Building Code  
 NOA-No. 17-0517.02  
 Expiration Date 09/27/2022  
 By Miami-Dade Product Control



**af c**  
**AL-FAROOQ CORPORATION**  
 ENGINEERS & PRODUCT DEVELOPMENT  
 9360 SUNSET DRIVE, SUITE 220  
 MIAMI, FLORIDA 33173 (C.A.N. 3538)  
 TEL. (305) 264-8100 FAX. (305) 262-6978  
 COMP-ANL\W07-50W

SERIES 1200 ALUM HORIZONTAL ROLLING WDW. (N.I.)  
 Labrador & Fundora Corp.  
 dba-V & V Windows  
 2355 West 4th Ave.  
 Hialeah, FL 33010  
 TEL. (305) 888-4151 FAX. (305) 888-1042

no	date	by	description
A	08.23.07		REV. PER BCCO COMMENTS
B	02.16.12		NO CHANGE THIS SHEET
C	02.11.15		UPDATED TO 2014 FBC
D	07.27.15		REV. PER RER COMMENTS
E	05.15.17		EDITORIAL CHANGES ONLY

date: 05-29-07  
 scale: 1/2" = 1"  
 dr. by: TARIQ  
 chk. by:

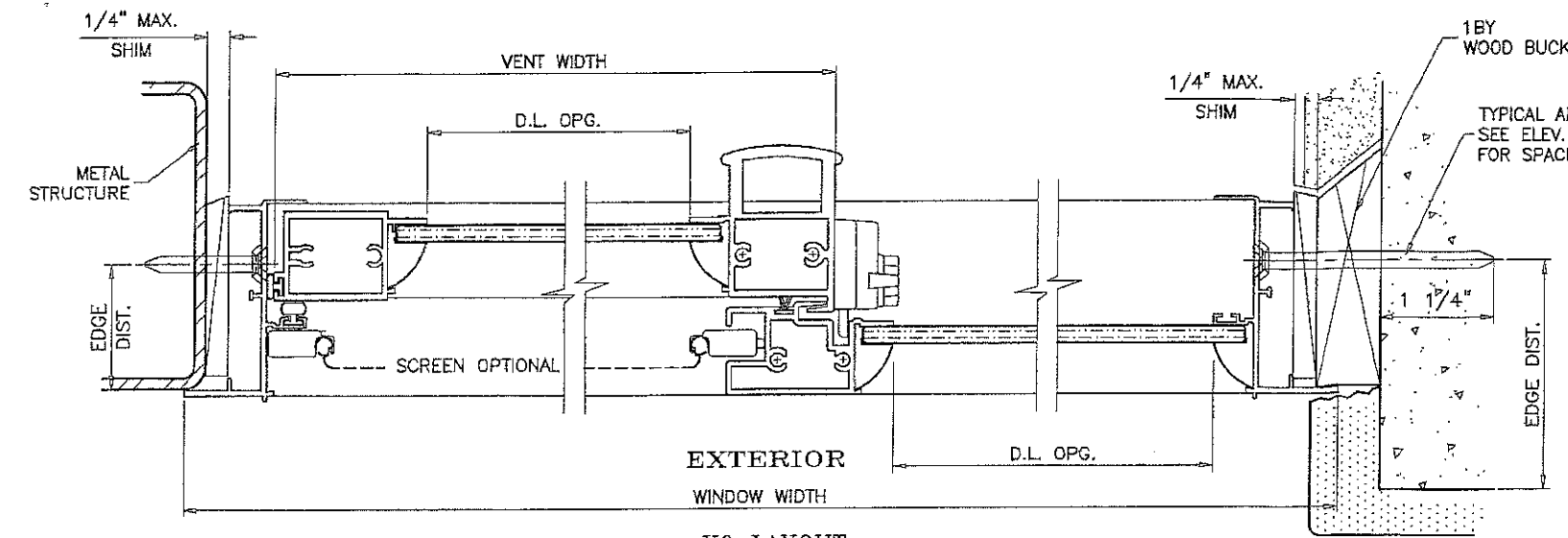
drawing no. W07-50  
 sheet 3 of 6

**af c**  
**AL-FAROOQ CORPORATION**  
 ENGINEERS & PRODUCT DEVELOPMENT  
 9360 SUNSET DRIVE, SUITE 220  
 MIAMI, FLORIDA 33173 (C.A.N. 3638)  
 TEL. (305) 264-8100 FAX. (305) 262-6978  
 COMP--ANL\W07-50V

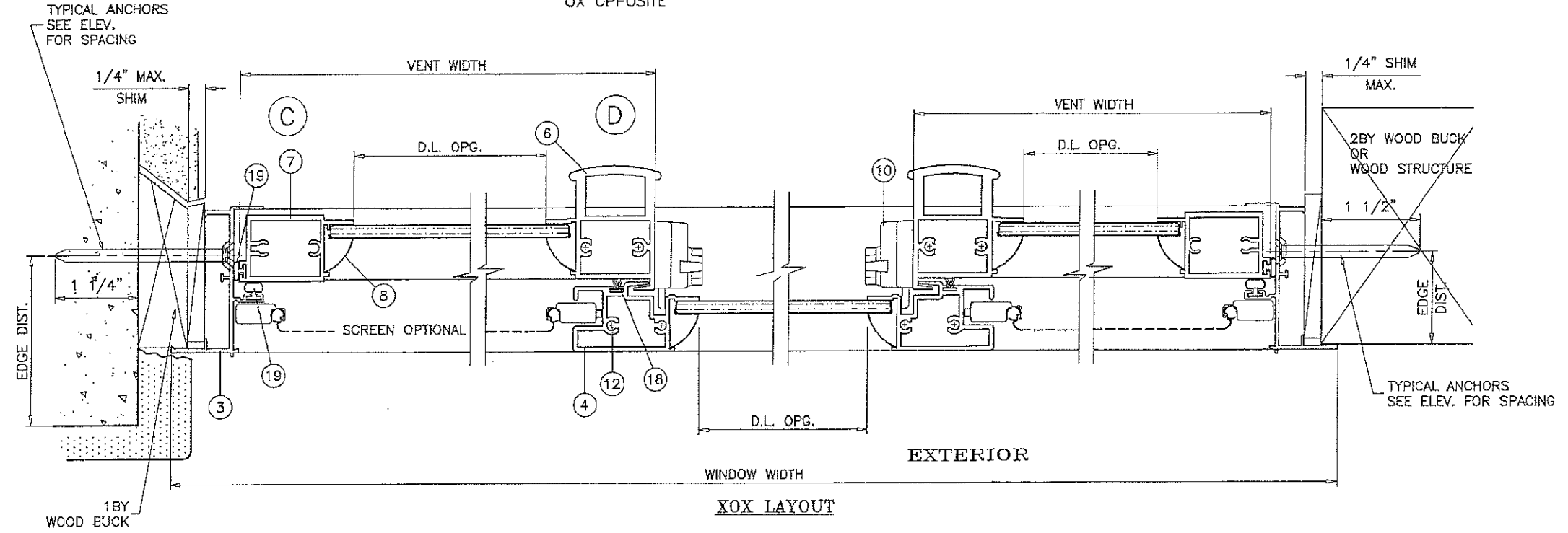
SERIES 1200 ALUM HORIZONTAL ROLLING WDW. (N.I.)  
 Labrador & Fundora Corp.  
 dba-V & V Windows  
 2355 West 4th Ave.  
 Hialeah, FL 33010  
 TEL. (305) 888-4151 FAX. (305) 888-1042

no	date	description
A	08.23.07	REV. PER BCCO COMMENTS
B	02.16.12	NO CHANGE THIS SHEET
C	02.11.15	UPDATED TO 2014 FBC
D	07.27.15	REV. PER RER COMMENTS
E	05.15.17	EDITORIAL CHANGES ONLY

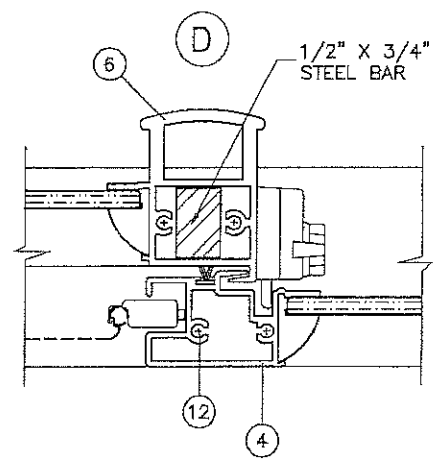
date: 05-29-07  
 scale: 1/2" = 1"  
 dr. by: TARIQ  
 chk. by:  
 drawing no.  
**W07-50**  
 sheet 4 of 6



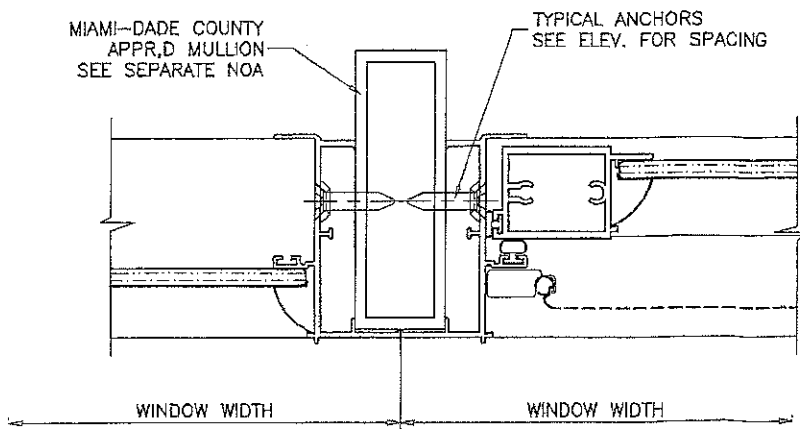
**XO LAYOUT**  
OX OPPOSITE



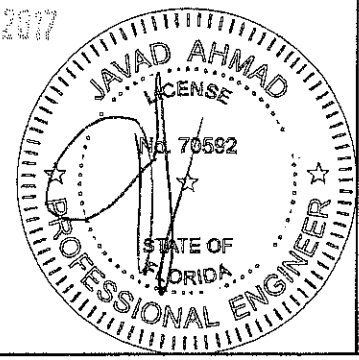
**XOX LAYOUT**



**REINFORCED MTG. STILES**  
SEE SHEET 2 FOR CAPACITY

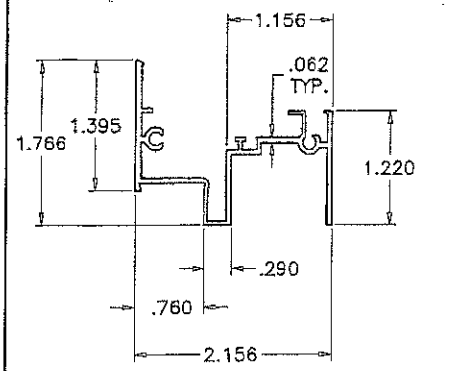


**PRODUCT REVISED**  
 as complying with the Florida Building Code  
 NOA-No. **17-0517.02**  
 Expiration Date **09/27/2022**  
 By *[Signature]*  
 Miami-Dade Product Control

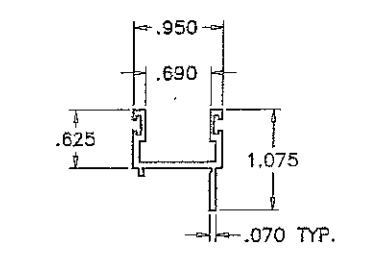


AUG 04 2017

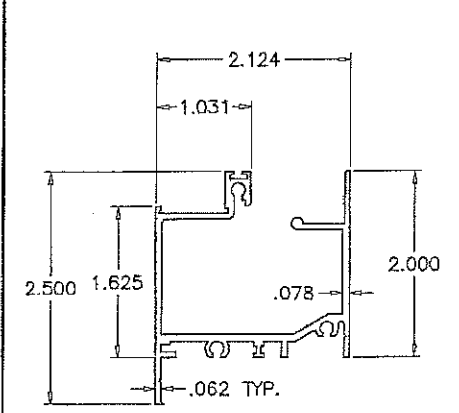
ITEM	PART #	QUANTITY	DESCRIPTION	MATERIAL	MANF./SUPPLIER/REMARKS
1	VW-4132	1	FRAME HEAD	6063-T6	-
2	5137	1	FRAME SILL	6063-T6	-
3	VW-4129A	2	FRAME JAMB	6063-T6	-
4	V-1001	1/	VENT FIXED MTG. RAIL	6063-T5	-
5	VW-4133	2/	VENT TOP & BOTTOM RAIL	6063-T5	-
6	VW-008A	1/	VENT INTERLOCK	6063-T5	-
7	VW-001A	1/	VENT JAMB STILE	6063-T5	-
8	-	AS REQD.	GLAZING BEAD (OPTIONAL)	ALUMINUM	ROLL FORMED
9	VW-009	AS REQD.	APPLIED SILL RISER	6063-T5	-
10	-	2/	SWEEP LATCH	-	AT 7-3/4" FROM EACH END
11	-	AS REQD.	FRAME & VENT ASSY SCREWS	-	#8 X 1" PH CRS SMS
12	-	2/	SILL END FIXED RAIL SCREW	-	#8 X 2-1/2" PH SMS
13	-	4/	ROLLER HOUSING & GUIDE	-	-
14	-	2/	ROLLER	-	BRASS OR ST. STEEL
15	-	2/	ROLLER PIN	ST. STEEL	-
16	WPHL-100	2	BAFFLE	-	M & M PLASTICS
17	-	2/	BAFFLE SCREW	-	#6 X 1/2" PH SMS
18	W1319IN	AS REQD.	FIN SEAL PILE W'STRIPPING	-	ULTRAFAB
19	9146	AS REQD.	BULB W'STRIPPING	VINYL	-
20	-	OPTIONAL	SCREEN	-	5/16" BOX
21	-	AS REQD.	MTG. STILE REINFORCING	STEEL	ASTM A36, Fy = 36 KSI
22	-	AS REQD.	SETTING BLOCKS	EPDM	DUROMETER 80±5 SHORE A



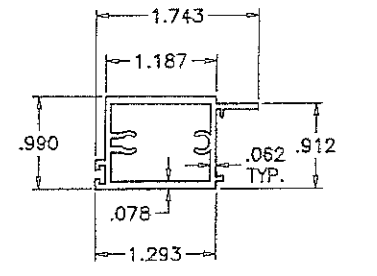
① FRAME HEAD



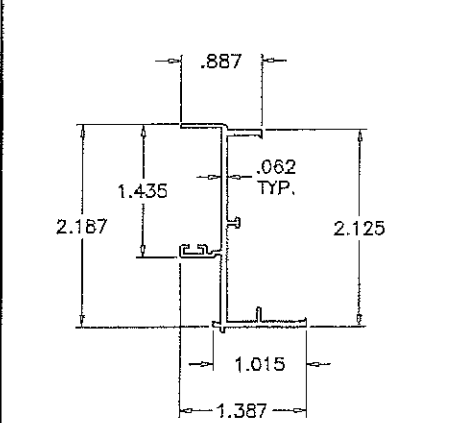
⑤ VENT TOP/BOTTOM RAIL



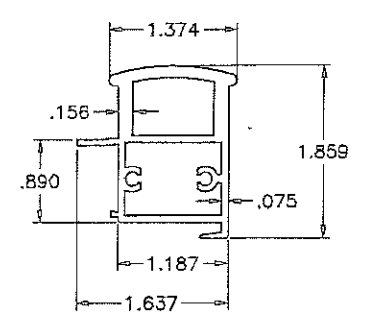
② FRAME SILL



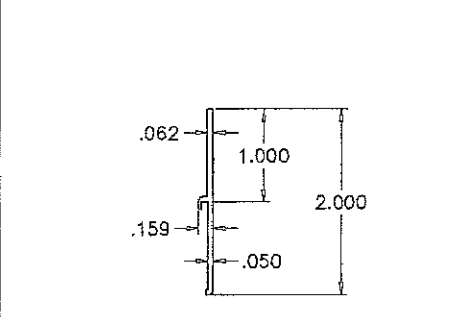
⑦ JAMB STILE



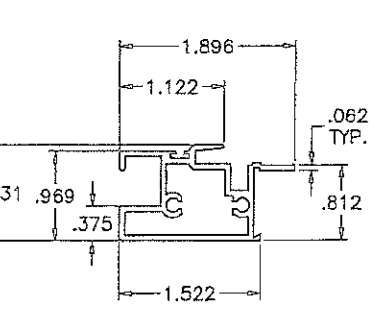
③ FRAME JAMB



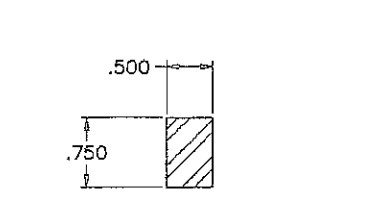
⑥ MEETING STILE



⑨ SILL RISER



④ FIXED MTG. STILE



⑳ MTG. STILE REINFORCING

**AL-FAROQ CORPORATION**  
 ENGINEERS & PRODUCT DEVELOPMENT  
 9360 SUNSET DRIVE, SUITE 220  
 MIAMI, FLORIDA 33173 (C.A.N. 9638)  
 TEL. (305) 264-8100 FAX. (305) 262-6978  
 CDMP-ANL W07-50V

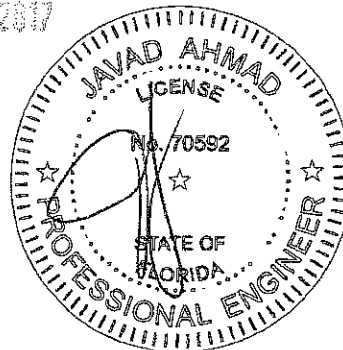
SERIES 1200 ALUM HORIZONTAL ROLLING WDW. (N.I.)  
 Labrador & Fundora Corp.  
 dba-V & V Windows  
 2355 West 4th Ave.  
 Hialeah, FL 33010  
 TEL. (305) 888-4151 FAX. (305) 888-1042

no	date	by	description
A	06.23.07	REV. PER BCCO COMMENTS	
B	02.16.12	UPDATED TO 2010 FBC	
C	02.11.15	UPDATED TO 2014 FBC	
D	07.27.15	REV. PER RER COMMENTS	
E	05.15.17	EDITORIAL CHANGES ONLY	

date: 05-29-07  
 scale: 1/2" = 1"  
 dr. by: TARIQ  
 chk. by:

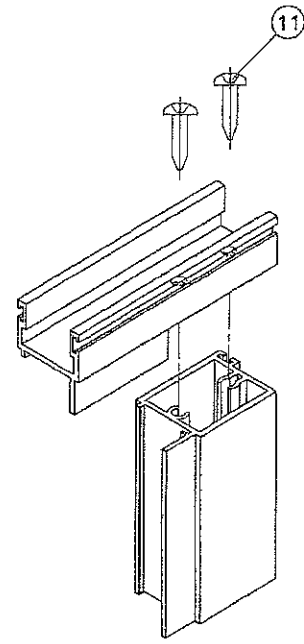
drawing no.  
**W07-50**  
 sheet 5 of 6

**PRODUCT REVISED**  
 as complying with the Florida  
 Building Code  
 NOA-No. **17-0517.02**  
 Expiration Date **09/27/2022**  
 By *[Signature]*  
 Miami-Dade Product Control

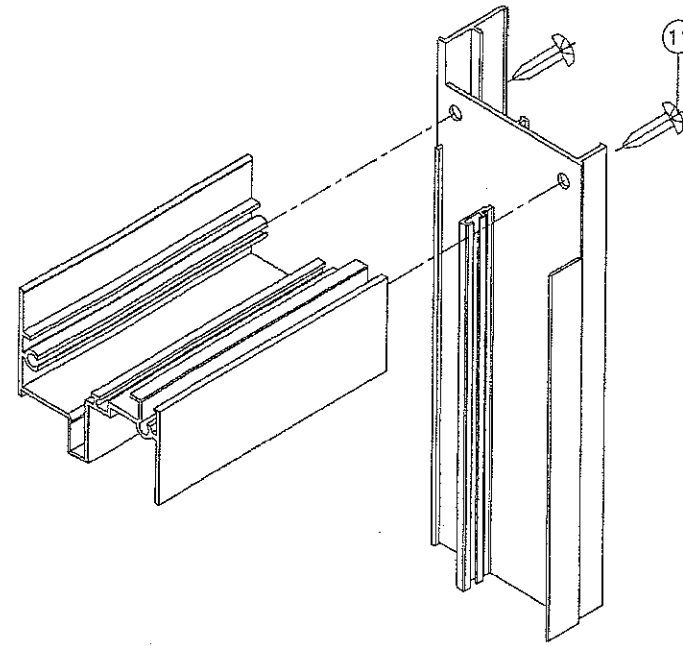


APR 30 2017

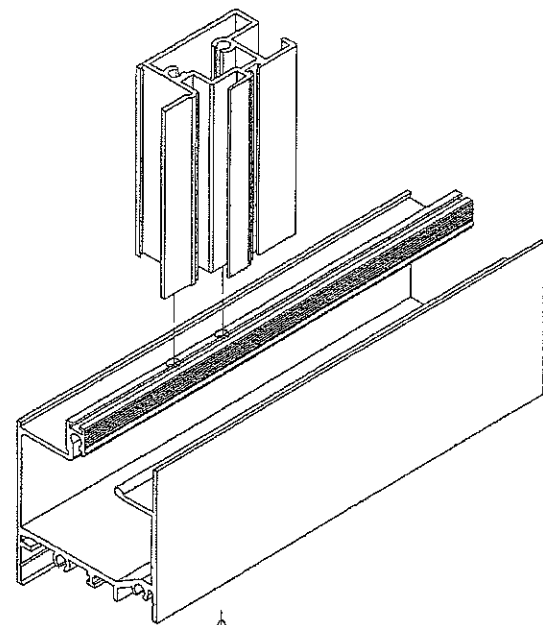




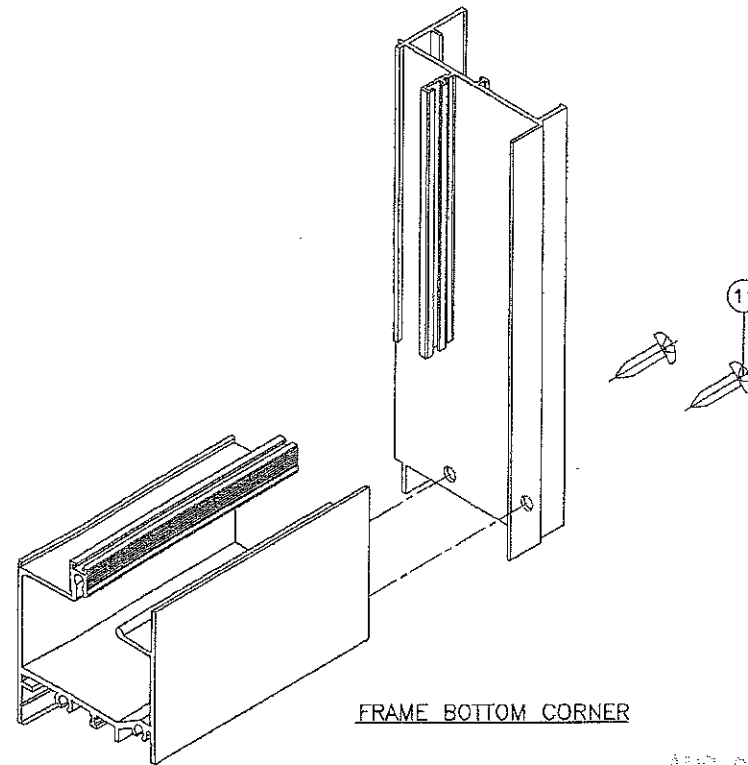
VENT TOP/BOTTOM CORNERS




FRAME TOP CORNER

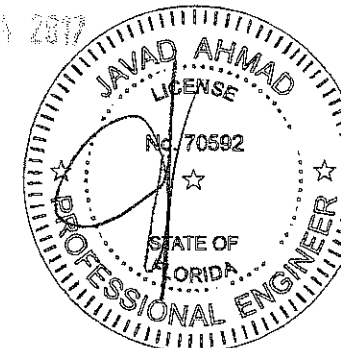


FIXED MTG. RAIL CORNER



FRAME BOTTOM CORNER

**PRODUCT REVISED**  
 as complying with the Florida  
 Building Code  
 NOA-No. **17-0517.02**  
 Expiration Date **09/27/2022**  
 By   
 Miami-Dade Product Control



**af c**

**AL-FAROOQ CORPORATION**  
 ENGINEERS & PRODUCT DEVELOPMENT  
 9360 SUNSET DRIVE, SUITE 220  
 MIAMI, FLORIDA 33173 (C.A.N. 9538)  
 TEL. (305) 264-8100 FAX. (305) 262-6978  
 COMP-ANL W07-50V

---

SERIES 1200 ALUM HORIZONTAL ROLLING WDW. (N.I.)  
 Labrador & Fundora Corp.  
 dba-V & V Windows  
 2355 West 4th Ave.  
 Hialeah, Fl. 33010  
 TEL. (305) 888-4151 FAX. (305) 888-1042

no	date	by	description
A	06.23.07		REV. PER BCCO COMMENTS
B	02.16.12		NO CHANGE THIS SHEET
C	02.11.15		NO CHANGE THIS SHEET
D	07.27.15		NO CHANGE THIS SHEET
E	05.15.17		EDITORIAL CHANGES ONLY

date: 05-29-07  
 scale: 1/2" = 1"  
 dr. by: TARIQ  
 chk. by:

drawing no.  
**W07-50**  
 sheet 6 of 6