



MIAMI-DADE COUNTY
 PRODUCT CONTROL SECTION
 11805 SW 26 Street, Room 208
 Miami, Florida 33175-2474
 T (786) 315-2590 F (786) 315-2599
www.miamidade.gov/economy

DEPARTMENT OF REGULATORY AND ECONOMIC RESOURCES (RER)
 BOARD AND CODE ADMINISTRATION DIVISION
NOTICE OF ACCEPTANCE (NOA)

ECO Windows Systems, LLC
 9114 N. W. 106th Street,
 Medley, FL 33178

SCOPE:

This NOA is being issued under the applicable rules and regulations governing the use of construction materials. The documentation submitted has been reviewed and accepted by Miami-Dade County RER -Product Control Section to be used in Miami Dade County and other areas where allowed by the Authority Having Jurisdiction (AHJ).

This NOA shall not be valid after the expiration date stated below. The Miami-Dade County Product Control Section (In Miami Dade County) and/or the AHJ (in areas other than Miami Dade County) reserve the right to have this product or material tested for quality assurance purposes. If this product or material fails to perform in the accepted manner, the manufacturer will incur the expense of such testing and the AHJ may immediately revoke, modify, or suspend the use of such product or material within their jurisdiction. RER reserves the right to revoke this acceptance, if it is determined by Miami-Dade County Product Control Section that this product or material fails to meet the requirements of the applicable building code.

This product is approved as described herein, and has been designed to comply with the Florida Building Code, including the High Velocity Hurricane Zone.

DESCRIPTION: Series "350" Aluminum Fixed Windows-S.M.I.

APPROVAL DOCUMENT: Drawing No. **W17-47**, titled "Series- 350 Aluminum Fixed Windows (S.M.I.)", sheets 1 through 5 of 5, prepared by Al-Farooq Corporation, dated SEP 21, 2017, signed and sealed by Javad Ahmad, P.E., bearing the Miami-Dade County Product Control Approval stamp with the Notice of Acceptance number and approval date by the Miami-Dade County Product Control Section.

MISSILE IMPACT RATING: Small Missile Impact Resistant

Limitation:

1. Combining this fixed windows to any other system (under separate approval) to be reviewed by AHJ for the tributary load and end load anchors.

LABELING: Each unit shall bear a permanent label with the manufacturer's name or logo, city, state and series and following statement: "Miami-Dade County Product Control Approved", noted herein.

RENEWAL of this NOA shall be considered after a renewal application has been filed and there has been no change in the applicable building code negatively affecting the performance of this product.

TERMINATION of this NOA will occur after the expiration date or if there has been a revision or change in the materials, use, and/or manufacture of the product or process. Misuse of this NOA as an endorsement of any product, for sales, advertising or any other purposes shall automatically terminate this NOA. Failure to comply with any section of this NOA shall be cause for termination and removal of NOA.

ADVERTISEMENT: The NOA number preceded by the words Miami-Dade County, Florida, and followed by the expiration date may be displayed in advertising literature. If any portion of the NOA is displayed, then it shall be done in its entirety.

INSPECTION: A copy of this entire NOA shall be provided to the user by the manufacturer or its distributors and shall be available for inspection at the job site at the request of the Building Official.

This NOA consists of this page 1 and evidence pages E-1, as well as approval document mentioned above.

The submitted documentation was reviewed by **Ishaq I. Chanda, P.E.**



NOA No. 17-0615.02
 Expiration Date: October 26, 2022
 Approval Date: October 26, 2017
 Page 1

✱
 10/18/17

NOTICE OF ACCEPTANCE: EVIDENCE SUBMITTED

A. DRAWINGS

1. Manufacturer's die drawings and sections.
2. Drawing No. **W17-47**, titled "Series- 350 Aluminum Fixed Windows (S.M.I.)", sheets 1 through 5 of 5, prepared by Al-Farooq Corporation, dated SEP 21, 2017, signed and sealed by Javad Ahmad, P.E.

B. TESTS

1. Test reports on:
 - 1) Air Infiltration Test, per FBC, TAS 202-94
 - 2) Uniform Static Air Pressure Test, Loading per FBC TAS 202-94
 - 3) Water Resistance Test, per FBC, TAS 202-94
 - 4) Small Missile Impact Test per FBC, TAS 201-94
 - 5) Cyclic Wind Pressure Loading per FBC, TAS 203-94
 - 6) Forced Entry Test, per FBC 2411 3.2.1, TAS 202-94

along with marked-up drawings and installation diagrams of Alum Fixed Windows, prepared by Fenestration Testing Lab, Inc., Test Report No. **FTL-9404** dated 03/01/2017, signed and sealed by Idalmis Ortega, P. E.

along with marked-up drawings and installation diagrams of Alum Fixed Windows, prepared by Fenestration Testing Lab, Inc., Test Report No. **FTL-9404** dated 03/01/2017 for kinetic energy loading complying with ANSI Z97.1 per FBC section 1618.4.6.3, signed and sealed by Idalmis Ortega, P. E.

Note: This test report has an addendum dated AUG 31, 2017 issued by Fenestration Testing Lab.

C. CALCULATIONS

1. Anchor verification calculations and structural analysis, complying with FBC 2014 (5th Edition) and FBC 2017 (6th Edition), prepared by Al Farooq Corporation, dated June 13, 2017, signed and sealed by Javad Ahmad, P.E.
2. Glazing complies w/ ASTM E-1300-02, -04 & -09.

D. QUALITY ASSURANCE

1. Miami Dade Department of Regulatory and Economic Resources (RER).

E. MATERIAL CERTIFICATIONS

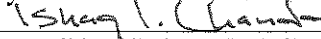
1. Notice of Acceptance No. **16-1117.01** issued to Kuraray America, Inc. (former E.I. DuPont DeNemours & Co., Inc.) for "**Trosifol**: Ultra clear, clear & color PVB glass interlayer" (former "**Kuraray Butacite** PVB Interlayer)", expiring on 07/08/19.

F. STATEMENTS

1. Statement letter of conformance to FBC 2014(5th Edition), FBC 2017 (6th Edition) and letter of no financial interest, prepared by Al Farooq Corporation, dated 10/17/17, signed and sealed by Javad Ahmad, P.E.
2. Lab compliance as part of the above referenced test report.

G. OTHER

1. Test proposal, dated 12/16/16 and revised on 12/20/16 approved by Manuel Perez, P.E.


Ishaq I. Chanda, P.E.
Product Control Examiner
NOA No. 17-0615.02
Expiration Date: October 26, 2022
Approval Date: October 26, 2017

SERIES 350

ALUMINUM FIXED WINDOW (S.M.I.)

APPROVAL APPLIES TO SINGLE UNITS OR SIDE BY SIDE COMBINATIONS OF FIXED/FIXED OR FIXED WITH OTHER WINDOW (UNDER SEPARATE APPROVAL) TYPES IN MODULES OF TWO OR MORE WINDOWS USING MIAMI-DADE COUNTY APPROVED MULLIONS IN BETWEEN. LOWER DESIGN PRESSURE FROM WINDOWS OR MULLION APPROVAL WILL APPLY TO ENTIRE SYSTEM. AHJ TO REVIEW SUCH APPLICATION AND VERIFY TRIBUTARY LOAD AND END LOAD ANCHORS.

DESIGN LOAD RATING FOR THESE WINDOWS TO BE AS PER CHARTS SHOWN ON SHEET 2.

THIS PRODUCT HAS BEEN DESIGNED AND TESTED TO COMPLY WITH THE REQUIREMENTS OF THE 2014 (5TH EDITION)/2017 (6TH EDITION) FLORIDA BUILDING CODE INCLUDING HIGH VELOCITY HURRICANE ZONE (HVHZ).

1BY OR 2BY WOOD BUCKS & BUCK FASTENERS BY OTHERS, MUST BE DESIGNED AND INSTALLED ADEQUATELY TO TRANSFER APPLIED PRODUCT LOADS TO THE BUILDING STRUCTURE.

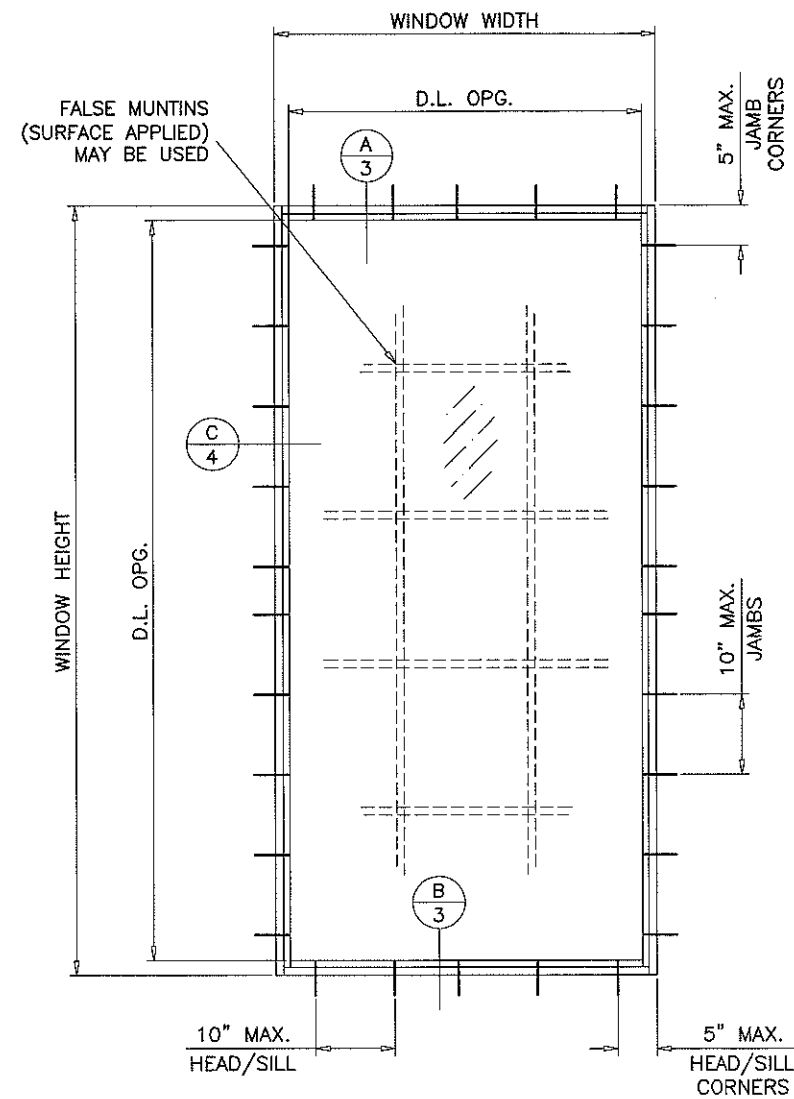
ANCHORS SHALL BE CORROSION RESISTANT, SPACED AS SHOWN ON DETAILS AND INSTALLED PER MANUF'S INSTRUCTIONS. SPECIFIED EMBEDMENT TO BASE MATERIAL SHALL BE BEYOND WALL DRESSING OR STUCCO.

A LOAD DURATION INCREASE IS USED IN DESIGN OF ANCHORS INTO WOOD ONLY.

ALL SHIMS TO BE HIGH IMPACT, NON-METALLIC AND NON-COMPRESSIBLE.

MATERIALS INCLUDING BUT NOT LIMITED TO STEEL/METAL SCREWS, THAT COME INTO CONTACT WITH OTHER DISSIMILAR MATERIALS SHALL MEET THE REQUIREMENTS OF THE 2014/2017 FLORIDA BLDG. CODE & ADOPTED STANDARDS.

THIS PRODUCT APPROVAL IS GENERIC AND DOES NOT PROVIDE INFORMATION FOR A SITE SPECIFIC PROJECT, i.e. LIFE SAFETY OF THIS PRODUCT, ADEQUACY OF STRUCTURE RECEIVING THIS PRODUCT AND SEALING AROUND OPENING FOR WATER INFILTRATION RESISTANCE ETC. CONDITIONS NOT SHOWN IN THIS DRAWING ARE TO BE ANALYZED SEPARATELY, AND TO BE REVIEWED BY BUILDING OFFICIAL.

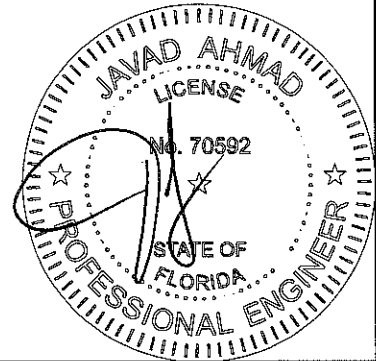


TYPICAL ELEVATION

GLASS D.L.O. DIMS.
 Approved as complying with the Florida Building Code
 Date 02/26/2017
 No. 17-0615-02
 Miami Dade Product Control
 By J. Ahmad

PRODUCT COMPLIES WITH REQUIREMENTS OF ANSI Z97.1.

THESE WINDOWS ARE RATED FOR SMALL MISSILE IMPACT. MIAMI-DADE COUNTY APPROVED IMPACT RESISTANT SHUTTERS REQUIRED FOR INSTALLATIONS UP TO 30 FT. OF GRADE. SHUTTERS NOT REQD. FOR INSTALLATIONS ABOVE 30 FT. OF GRADE.



af c
AL-FAROOQ CORPORATION
 ENGINEERS & PRODUCT DEVELOPMENT
 9360 SUNSET DRIVE, SUITE 220
 MIAMI, FLORIDA 33173 (C.A.N. 3538)
 TEL. (305) 264-8100 FAX. (305) 262-6978
 COMP-ANL\W17-47ECO

SERIES-350 ALUMINUM FIXED WINDOW (S.M.I.)
ECO WINDOW SYSTEMS, LLC.
 8502 N.W. 80th STREET
 MEDLEY, FL. 33166
 TEL. (305) 885-5299 FAX (305) 885-5902

revisions:	no	date	by	description
	A	09.19.17		REV. PER COMMENTS

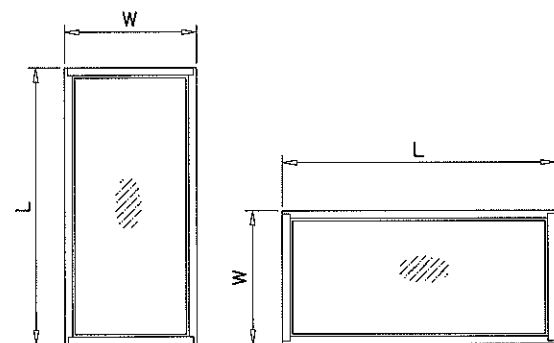
date: 05-10-17
 scale: 1/2"=1'-0"
 dr. by: TARIQ
 chk. by:

drawing no.
W17-47
 sheet 1 of 5

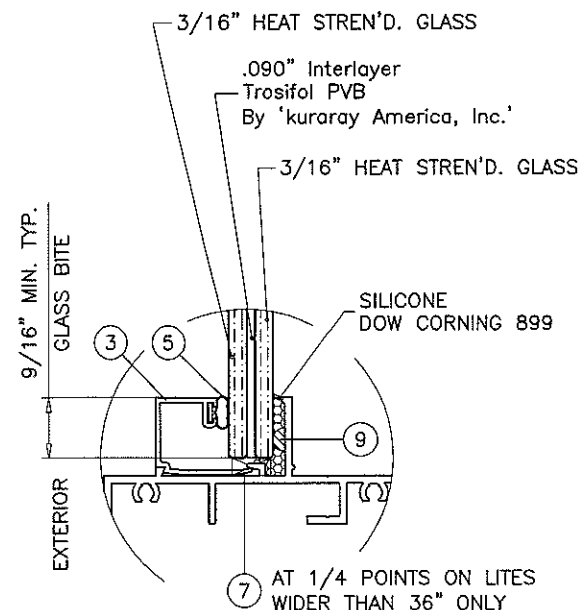
DESIGN LOAD CAPACITY - PSF				
WINDOW DIMS.		GLASS TYPES 'G2' & 'G2i'		
WIDTH (W)	LENGTH (L)	EXT.(+)	INT.(-)	
24"	42"	80.0	140.0	
30"		80.0	140.0	
36"		80.0	140.0	
42"		80.0	140.0	
48"		80.0	140.0	
54"		80.0	140.0	
60"		80.0	140.0	
66"		80.0	140.0	
72"		80.0	140.0	
24"		48"	80.0	140.0
30"	80.0		140.0	
36"	80.0		140.0	
42"	80.0		140.0	
48"	80.0		130.0	
54"	80.0		130.0	
60"	80.0		130.0	
66"	80.0		130.0	
72"	80.0		130.0	
24"	54"		80.0	140.0
30"		80.0	140.0	
36"		80.0	140.0	
42"		80.0	140.0	
48"		80.0	130.0	
54"		71.1	115.6	
60"		71.1	115.6	
66"		71.1	115.6	
72"		71.1	115.6	
24"		60"	80.0	140.0
30"	80.0		140.0	
36"	80.0		140.0	
42"	80.0		140.0	
48"	80.0		130.0	
54"	71.1		115.6	
60"	64.0		104.0	
66"	64.0		104.0	
24"	66"		80.0	140.0
30"			80.0	140.0
36"		80.0	140.0	
42"		80.0	140.0	
48"		80.0	130.0	
54"		71.1	115.6	
60"		64.0	104.0	
24"		72"	80.0	140.0
30"			80.0	140.0
36"			80.0	140.0
42"	80.0		140.0	
48"	80.0		130.0	
54"	71.1		115.6	

DESIGN LOAD CAPACITY - PSF			
WINDOW DIMS.		GLASS TYPES 'G2' & 'G2i'	
WIDTH (W)	LENGTH (L)	EXT.(+)	INT.(-)
24"	78"	80.0	140.0
30"		80.0	140.0
36"		80.0	140.0
42"		80.0	140.0
48"		80.0	130.0
24"	84"	80.0	140.0
30"		80.0	140.0
36"		80.0	140.0
42"		80.0	140.0
48"		80.0	130.0

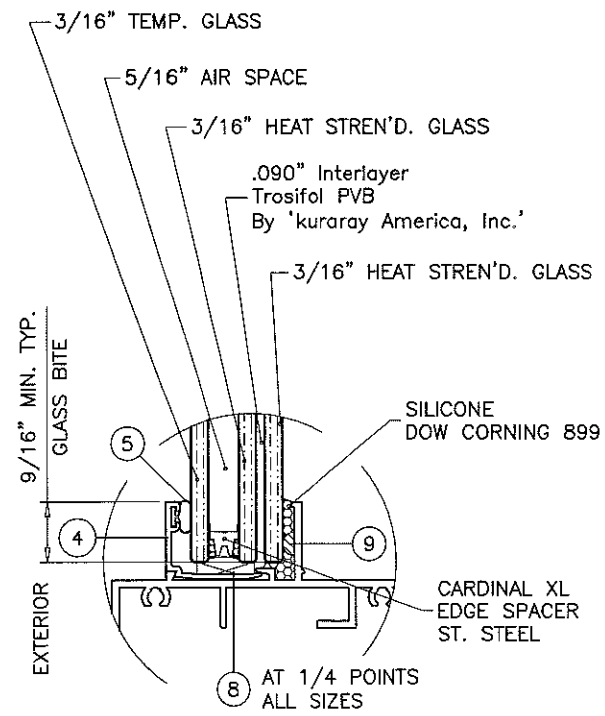
DESIGN LOAD CAPACITY - PSF			
WINDOW DIMS.		GLASS TYPES 'G2' & 'G2i'	
WIDTH (W)	LENGTH (L)	EXT.(+)	INT.(-)
19-1/8"	38-3/8"	80.0	140.0
26-1/2"		80.0	140.0
32"		80.0	140.0
37"		80.0	140.0
53-1/8"		80.0	140.0
63"	50-5/8"	80.0	140.0
19-1/8"		80.0	140.0
26-1/2"		80.0	140.0
32"		80.0	140.0
37"		80.0	140.0
53-1/8"	63"	75.9	123.3
63"		75.9	123.3
19-1/8"		80.0	140.0
26-1/2"		80.0	140.0
32"		80.0	140.0
37"	74-1/4"	80.0	140.0
53-1/8"		72.3	117.5
63"		61.0	99.0
19-1/8"		80.0	140.0
26-1/2"		80.0	140.0
32"	74-1/4"	80.0	140.0
37"		80.0	140.0
53-1/8"		72.3	117.5



NOTE:
WIDTH AND LENGTH DIMENSIONS CAN BE
ORIENTED VERTICALLY OR HORIZONTALLY
AS SHOWN ABOVE.



GLASS TYPE 'G2'
7/16" OVERALL LAM. GLASS

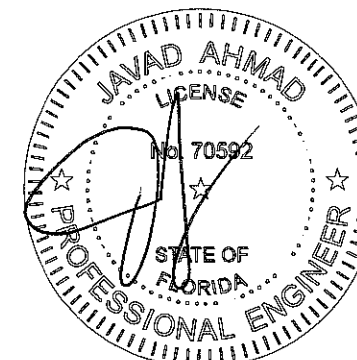


GLASS TYPE 'G2i'
15/16" OVERALL INSUL. LAM. GLASS

GLAZING OPTIONS

Approved as complying with the
Florida Building Code
Date 10/26/17
NOA# 17-0615-02
Miami Dade Product Control
By Shay I. Chant

NOTE:
GLASS CAPACITIES ON THIS SHEET ARE
BASED ON ASTM E1300-09 (3 SEC. GUSTS).



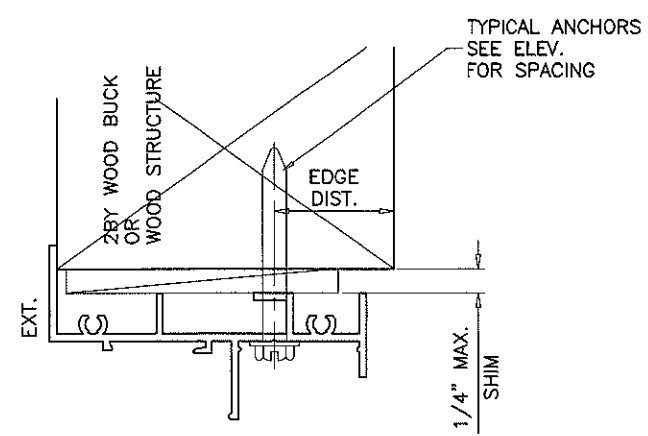
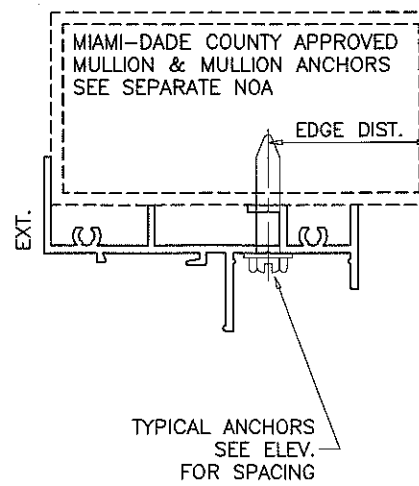
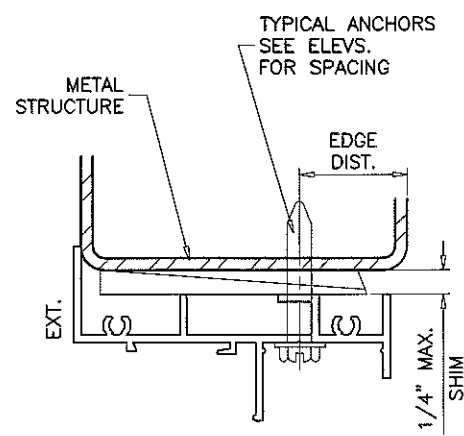
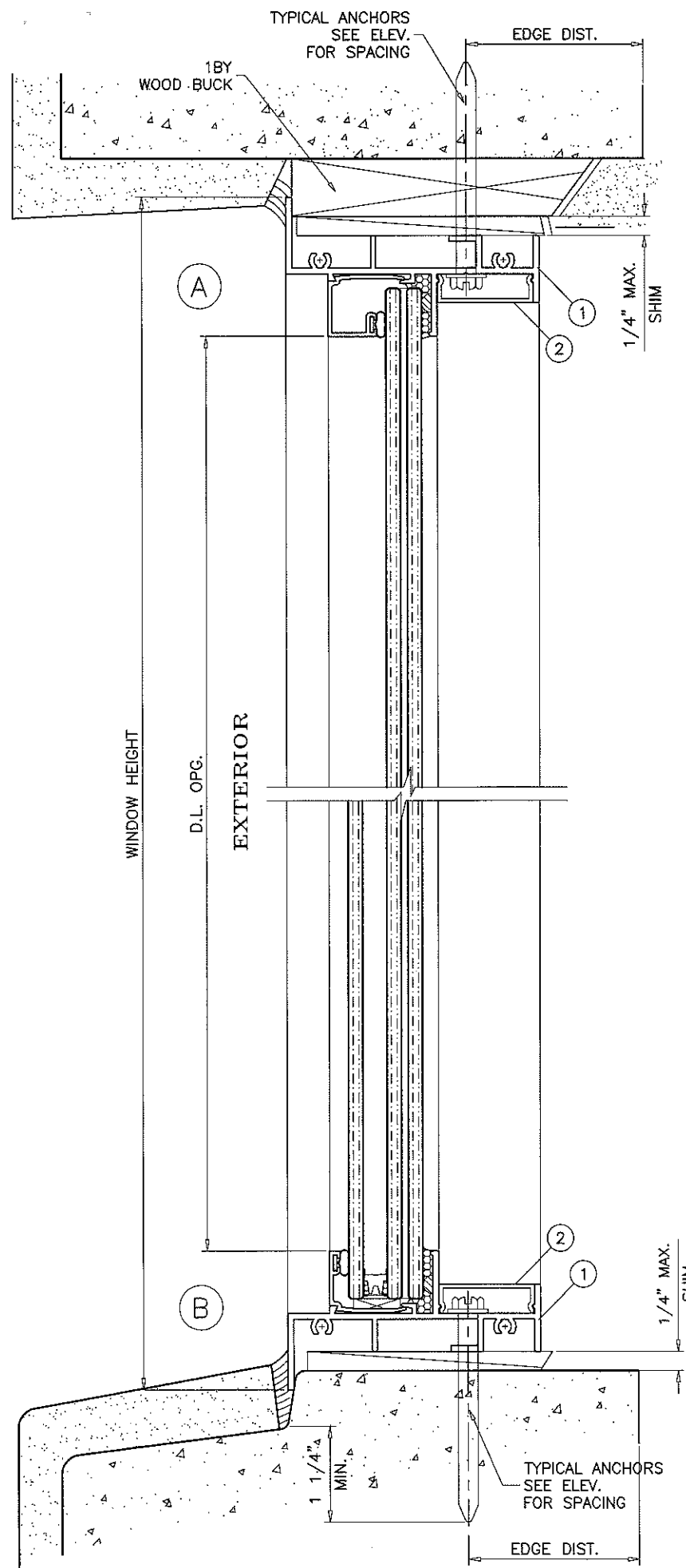
af c
AL-FAROOQ CORPORATION
ENGINEERS & PRODUCT DEVELOPMENT
9360 SUNSET DRIVE, SUITE 220
MIAMI, FLORIDA 33173 (C.A.N. 3538)
TEL. (305) 264-8100 FAX. (305) 262-6978
COMP-ANL\W17-47ECO

SERIES-350 ALUMINUM FIXED WINDOW (S.M.I.)
ECO WINDOW SYSTEMS, LLC.
8502 N.W. 80th STREET
MEDLEY, FL. 33166
TEL. (305) 885-5299 FAX (305) 885-5902

revisions:	no.	date	description
	A	09.19.17	REV. PER COMMENTS

date: 05-10-17
scale: 1/2" = 1"
dr. by: TARIQ
chk. by:

drawing no.
W17-47
sheet 2 of 5



WOOD BUCKS AND METAL STRUCTURE NOT BY ECO WDW. MUST SUSTAIN LOADS IMPOSED BY GLAZING SYSTEM AND TRANSFER THEM TO THE BUILDING STRUCTURE.

TYPICAL ANCHORS: SEE ELEV. FOR SPACING

1/4" DIA. ULTRACON BY 'ELCO' (Fu=177 KSI, Fy=155 KSI)
 INTO 2BY WOOD BUCKS OR WOOD STRUCTURES
 1-1/2" MIN. PENETRATION INTO WOOD (HEAD/SILL/JAMBS)

THRU 1BY BUCKS INTO CONC. OR MASONRY
 1-1/4" MIN. EMBED INTO CONCRETE (HEAD/SILL/JAMBS)
 1-1/4" MIN. EMBED INTO MASONRY (JAMBS)

DIRECTLY INTO CONCRETE OR MASONRY
 1-1/4" MIN. EMBED INTO CONCRETE (HEAD/SILL/JAMBS)
 1-3/4" MIN. EMBED INTO FILLED BLOCK (JAMBS)

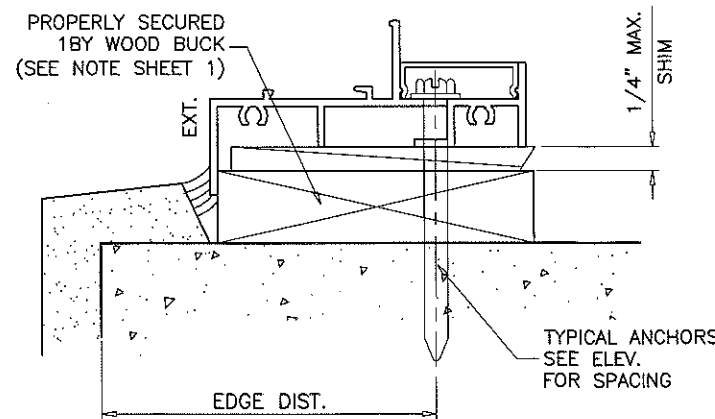
#14 SMS OR SELF DRILLING SCREWS (GRADE 2 CRS)

INTO MIAMI-DADE COUNTY APPROVED MULLIONS
 OR
 INTO METAL STRUCTURES (HEAD/SILL/JAMBS)
 (3) THREADS MIN. PENETRATION BEYOND METAL SUBSTRATE
 ALUMINUM: 1/8" THK. MIN. (6063-T5 MIN.)
 STEEL: 1/8" THK. MIN. (Fy = 36 KSI MIN.)
 (STEEL IN CONTACT WITH ALUMINUM TO BE PLATED OR PAINTED)

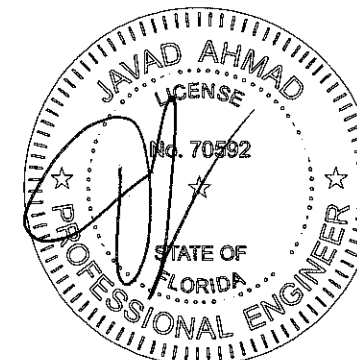
TYPICAL EDGE DISTANCE

INTO CONCRETE AND MASONRY = 2-1/2" MIN.
 INTO WOOD STRUCTURE = 1" MIN.
 INTO METAL STRUCTURE = 3/4" MIN.

WOOD AT HEAD, SILL OR JAMBS SG = 0.55 MIN.
 CONCRETE AT HEAD, SILL OR JAMBS f'c = 3000 PSI MIN.
 C-90 GROUT FILLED BLOCK AT JAMBS f'm = 2000 PSI MIN.



Approved as complying with the
 Florida Building Code
 Date 10/26/17
 NOA# 17-0615-02
 Miami Dade Product Control
 By *Ishaq I. Chaudhry*



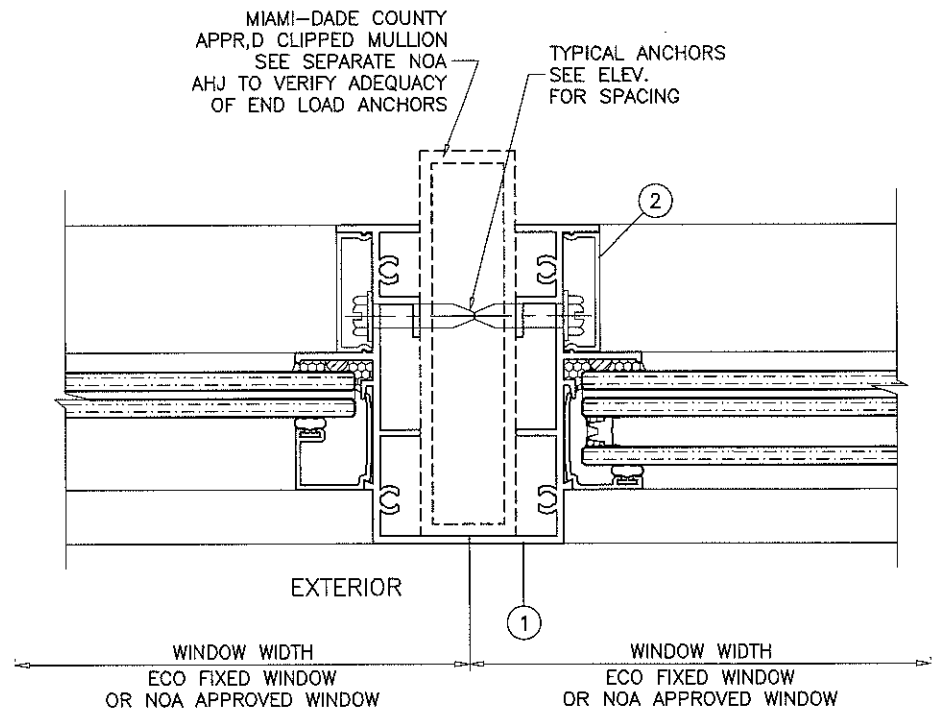
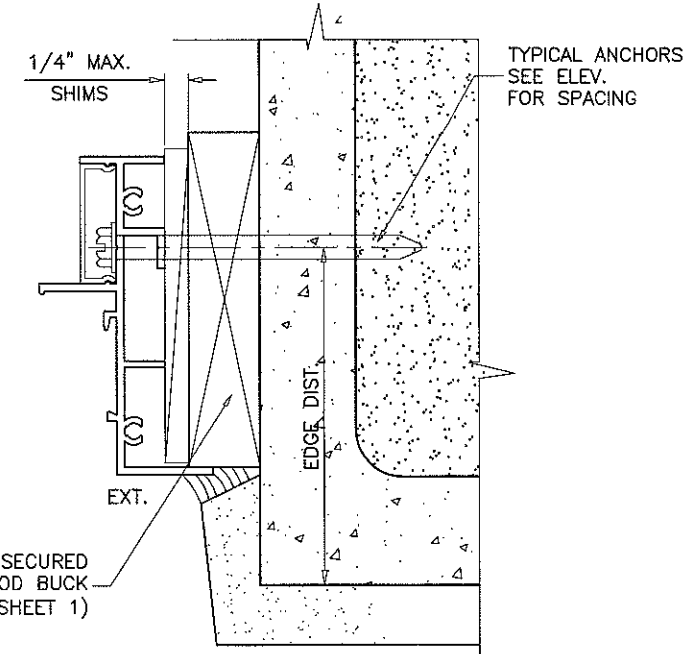
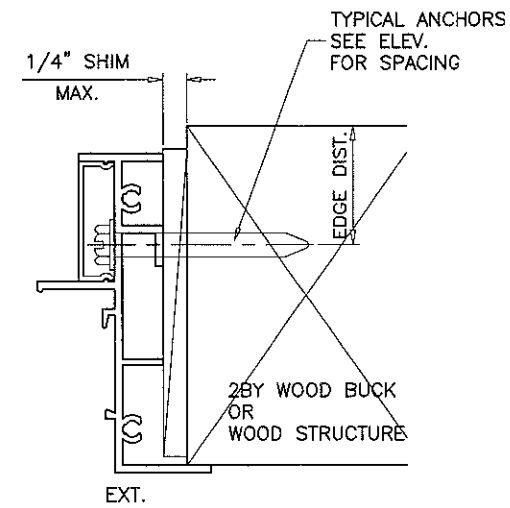
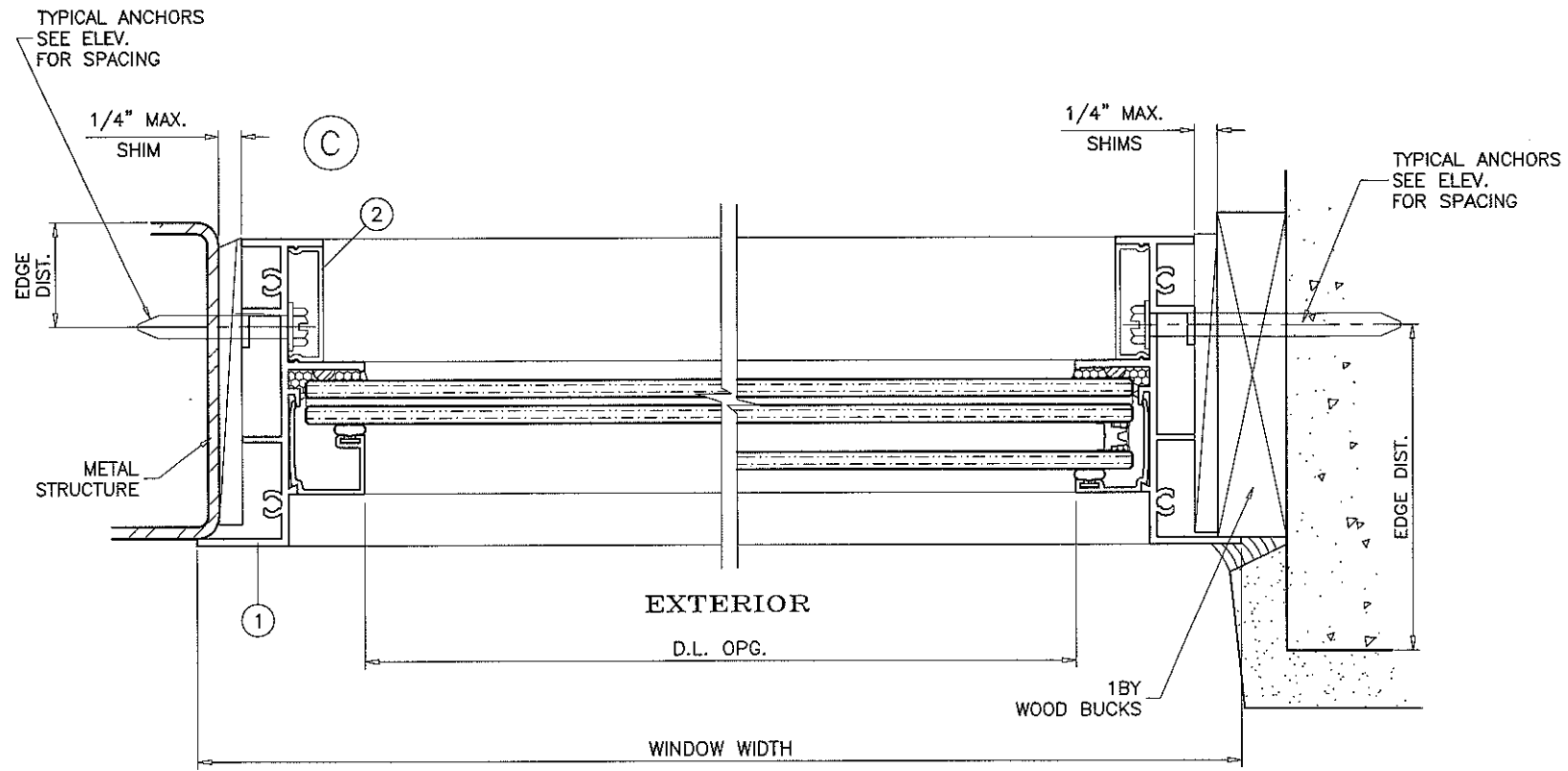
afc

AL-FAROOQ CORPORATION
 ENGINEERS & PRODUCT DEVELOPMENT
 9360 SUNSET DRIVE, SUITE 220
 MIAMI, FLORIDA 33173 (C.A.N. 3538)
 TEL. (305) 264-8100 FAX. (305) 262-6978
 COMP-ANL\W17-47ECO

SERIES-350 ALUMINUM FIXED WINDOW (S.M.I.)
ECO WINDOW SYSTEMS, LLC.
 8502 N.W. 80th STREET
 MEDLEY, FL. 33166
 TEL. (305) 885-5299 FAX (305) 885-5902

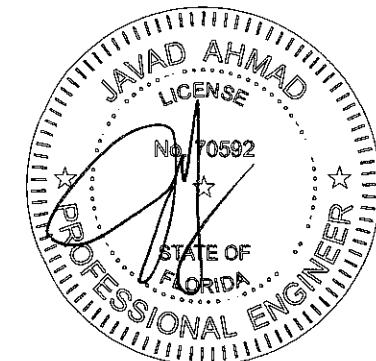
revisions:	no	date	by	description
	A	09.19.17		REV. PER COMMENTS

date:	09-10-17	scale:	1/2" = 1"	dr. by:	TARIQ	chk. by:	
drawing no. W17-47							
sheet 3 of 5							



PROPERLY SECURED
1BY WOOD BUCK
(SEE NOTE SHEET 1)

Approved as complying with the
Florida Building Code
Date 10/26/17
NOA# 17-0615-02
Miami Dade Product Control
By *Keng L. Ahmad*



af c
AL-FAROOQ CORPORATION
ENGINEERS & PRODUCT DEVELOPMENT
9360 SUNSET DRIVE, SUITE 220 (C.A.N. 3538)
MIAMI, FLORIDA 33173 TEL. (305) 262-6978
FAX. (305) 264-8100

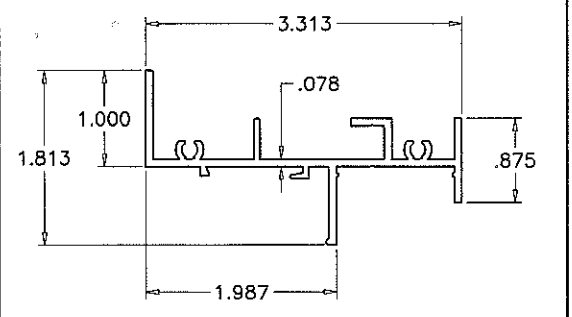
SERIES-350 ALUMINUM FIXED WINDOW (S.M.I.)
ECO WINDOW SYSTEMS, LLC.
8502 N.W. 80th STREET
MEDLEY, FL. 33166
TEL. (305) 885-5299 FAX (305) 885-5902

revisions:	
no.	description
1	REV. PER PER COMMENTS

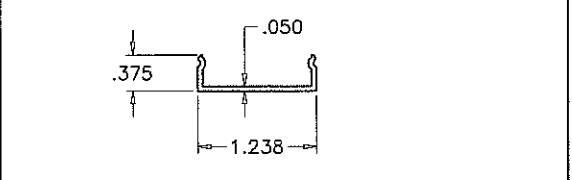
date: 05-10-17
scale: 1/2" = 1"
dr. by: TARIQ
chk. by:

drawing no.
W17-47
sheet 4 of 5

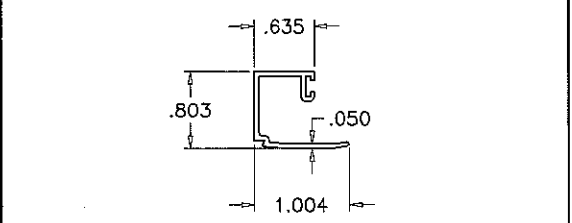
COMP-ANL\W17-47ECO



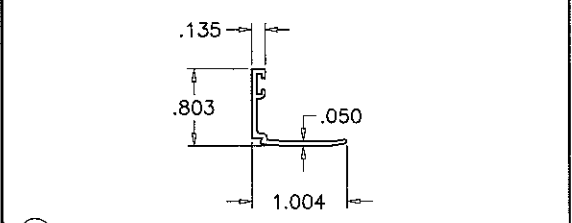
① WINDOW FRAME



② FRAME COVER

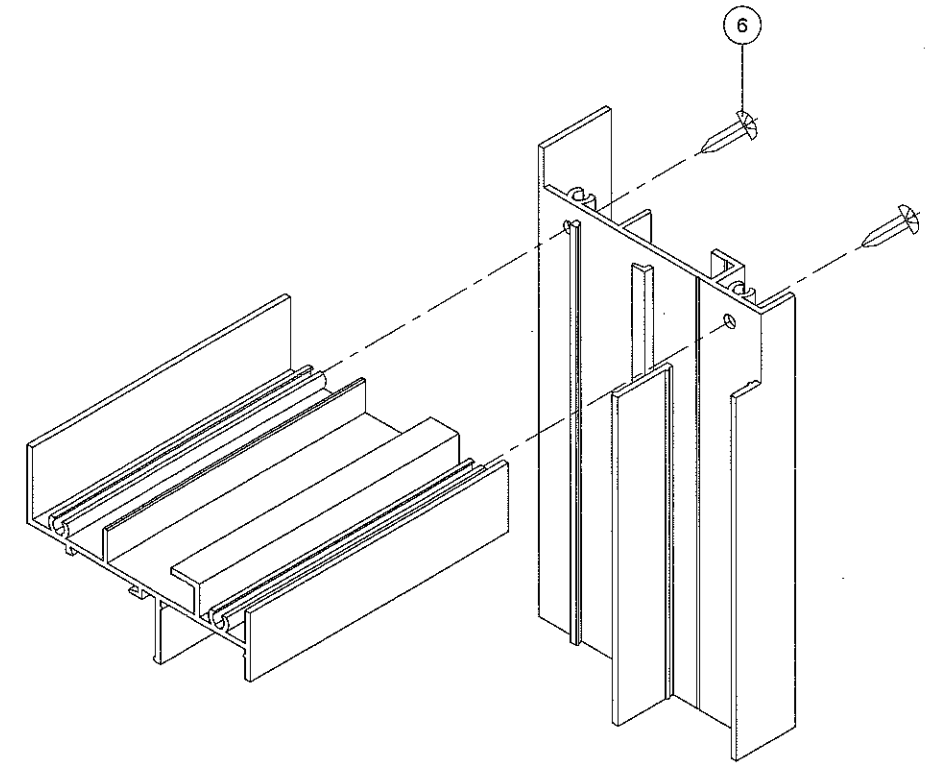


③ GLAZING BEAD (LAM. GLASS)



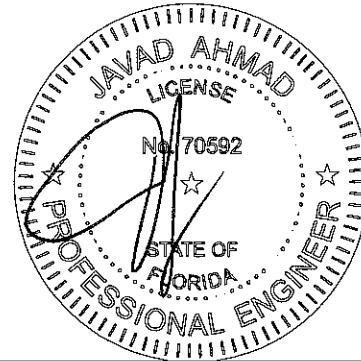
④ GLAZING BEAD (INSUL. LAM. GLASS)

ITEM	PART #	QUANTITY	DESCRIPTION	MATERIAL	MANF./SUPPLIER/REMARKS
1	E351	4	WINDOW FRAME	6063-T6	-
2	E352	4	FRAME COVER	RIGID PVC	-
3	E353	4/ LITE	GLAZING BEAD (LAM. GLASS)	6063-T6	-
4	E354	4/ LITE	GLAZING BEAD (INSUL. LAM. GLASS)	6063-T6	-
5	-	AS REQD.	EXTERIOR GLAZING GASKET	VINYL	DUROMETER 70±5 SHORE A
6	#10 X 1-1/4"	2/ CORNER	ASSEMBLY FASTENERS	ST. STEEL	HWH SMS
7	-	2/ LITE	SETTING BLOCK AT 1/4 POINTS (LAM. GLASS)	EPDM	DUROMETER 80±5 SHORE A
8	-	2/ LITE	SETTING BLOCK AT 1/4 POINTS (INSUL. LAM. GLASS)	EPDM	DUROMETER 80±5 SHORE A
9	FLB-50	AS REQD.	GLASS SPACER - 1/8" HIGH	SILICONE	FRANK LOWE



WINDOW CORNER

Approved as complying with the
 Florida Building Code
 Date 02/26/2017
 NOA# 17-0615-02
 Miami Dade Product Control
 By Ishag I. Cleaver



af c
AL-FAROOQ CORPORATION
 ENGINEERS & PRODUCT DEVELOPMENT
 9360 SUNSET DRIVE, SUITE 220 (C.A.N. 3588)
 MIAMI, FLORIDA 33173 FAX. (305) 262-6978
 TEL. (305) 264-8100

SERIES-350 ALUMINUM FIXED WINDOW (S.M.I.)
ECO WINDOW SYSTEMS, LLC.
 8502 N.W. 80th STREET
 MEDLEY, FL. 33166
 TEL. (305) 885-5299 FAX (305) 885-5902

revisions:	no	date	by	description
	A	09.19.17		NO CHANGE THIS SHEET
date:	05-10-17			
scale:	1/2" = 1"			
dr. by:	TARIQ			
chk. by:				
drawing no.	W17-47			
sheet	5 of 5			

COMP-ANL W17-47ECO