



DEPARTMENT OF REGULATORY AND ECONOMIC RESOURCES (RER)
BOARD AND CODE ADMINISTRATION DIVISION

MIAMI-DADE COUNTY
PRODUCT CONTROL SECTION

11805 SW 26 Street, Room 208
T (786) 315-2590 F (786) 315-2599

www.miamidade.gov/economy

NOTICE OF ACCEPTANCE (NOA)

Gopi Glass Sales & Services Corp.

7450 NW 41st Street

Miami, FL 33166

SCOPE:

This NOA is being issued under the applicable rules and regulations governing the use of construction materials. The documentation submitted has been reviewed and accepted by Miami-Dade County RER - Product Control Section to be used in Miami Dade County and other areas where allowed by the Authority Having Jurisdiction (AHJ).

This NOA shall not be valid after the expiration date stated below. The Miami-Dade County Product Control Section (In Miami Dade County) and/or the AHJ (in areas other than Miami Dade County) reserve the right to have this product or material tested for quality assurance purposes. If this product or material fails to perform in the accepted manner, the manufacturer will incur the expense of such testing and the AHJ may immediately revoke, modify, or suspend the use of such product or material within their jurisdiction. RER reserves the right to revoke this acceptance, if it is determined by Miami-Dade County Product Control Section that this product or material fails to meet the requirements of the applicable building code.

This product is approved as described herein, and has been designed to comply with the Florida Building Code, including the High Velocity Hurricane Zone.

DESCRIPTION: Aluminum Fixed Window – N.I.

APPROVAL DOCUMENT: Drawing No. **W97-11**, titled "Aluminum Fixed Window (N.I.)", sheets 1 through 5 of 5, dated 06/24/97, with revision **H** dated 08/21/17, prepared by Al-Farooq Corporation, signed and sealed by Javad Ahmad, P.E., bearing the Miami-Dade County Product Control Revision stamp with the Notice of Acceptance number and expiration date by the Miami-Dade County Product Control Section.

MISSILE IMPACT RATING: None.

LABELING: Each unit shall bear a permanent label with the manufacturer's name or logo, city, state, model/series, and following statement: "Miami-Dade County Product Control Approved", unless otherwise noted herein.

RENEWAL of this NOA shall be considered after a renewal application has been filed and there has been no change in the applicable building code negatively affecting the performance of this product.

TERMINATION of this NOA will occur after the expiration date or if there has been a revision or change in the materials, use, and/or manufacture of the product or process. Misuse of this NOA as an endorsement of any product, for sales, advertising or any other purposes shall automatically terminate this NOA. Failure to comply with any section of this NOA shall be cause for termination and removal of NOA.

ADVERTISEMENT: The NOA number preceded by the words Miami-Dade County, Florida, and followed by the expiration date may be displayed in advertising literature. If any portion of the NOA is displayed, then it shall be done in its entirety.

INSPECTION: A copy of this entire NOA shall be provided to the user by the manufacturer or its distributors and shall be available for inspection at the job site at the request of the Building Official.

This NOA **revises and renews NOA# 14-0728.06** and consists of this page 1 and evidence pages E-1, E-2 and E-3, as well as approval document mentioned above.

The submitted documentation was reviewed by **Manuel Perez, P.E.**



Handwritten signature and date: 10/11/17

NOA No. 17-0626.05
Expiration Date: September 17, 2022
Approval Date: October 19, 2017
Page 1

NOTICE OF ACCEPTANCE: EVIDENCE SUBMITTED

1. EVIDENCE SUBMITTED UNDER PREVIOUS NOA's

A. DRAWINGS

1. Manufacturer's die drawings and sections.
(Submitted under NOA No.95-0630.06)
2. Drawing No **W97-11**, titled "Aluminum Fixed Window (N.I.)", sheets 1 through 5 of 5, dated 06/24/97, with revision **F** dated 05/29/14, prepared by Al-Farooq Corporation, signed and sealed by Javad Ahmad, P.E.

B. TESTS

1. Test reports on: 1) Uniform Static Air Pressure Test, Loading per FBC, TAS 202-94 along with marked-up drawings and installation diagram of an aluminum fixed window, prepared by Fenestration Testing Lab, Inc., Test Report No. **FTL-5379**, dated 09/05/07, signed and sealed by Carlos S. Rionda, P.E.
(Submitted under NOA No.07-0713.01)
2. Test reports on: 1) Air Infiltration Test, per SFBC, PA 202-94
2) Uniform Static Air Pressure Test, Loading per SFBC PA 202-94
3) Forced Entry Test, per SFBC 3603.2 (b) and PA 202-94
along with marked-up drawings and installation diagram of aluminum fixed windows, prepared by Hurricane Engineering and Testing, Inc., Test Reports No. **HETI-97-1096** and **HETI-97-1097**, dated 05/06/97, both signed and sealed by Hector M. Medina, P.E.
(Submitted under NOA No.99-0629.01)
3. Test reports on: 1) Air Infiltration Test, per SFBC, PA 202-94
2) Uniform Static Air Pressure Test, Loading per SFBC PA 202-94
3) Water Resistance Test, per SFBC, PA 202-94
4) Forced Entry Test, per SFBC 3603.2 (b) and PA 202-94
along with marked-up drawings and installation diagram of aluminum fixed windows, prepared by Fenestration Testing Lab., Inc., Test Report No. **FTL-1162**, dated 06/01/95, signed and sealed by Yamil Kuri, P.E.
(Submitted under NOA No.95-0630.06)

C. CALCULATIONS

1. Anchor verification calculations and structural analysis, complying with **FBC 5th Edition (2014)**, dated May 30, 2014, prepared by Al-Farooq Corporation, signed and sealed by Javad Ahmad, P.E.
2. Glazing complies with **ASTM E1300-09**.



Manuel Perez, P.E.
Product Control Examiner
NOA No. 17-0626.05

Expiration Date: September 17, 2022

Approval Date: October 19, 2017

Gopi Glass Sales & Services Corp.

NOTICE OF ACCEPTANCE: EVIDENCE SUBMITTED

D. QUALITY ASSURANCE

1. Miami-Dade Department of Regulatory and Economic Resources (RER)

E. MATERIAL CERTIFICATIONS

1. None.

F. STATEMENTS

1. Statement letter of conformance, complying with **FBC 5th Edition (2014)**, and of no financial interest, dated May 28, 2014, issued by Al-Farooq Corporation, signed and sealed by Javad Ahmad, P.E.
2. Laboratory compliance letter for Test Report No. **FTL-5379**, issued by Fenestration Testing Lab., Inc., dated 09/05/07, signed and sealed by Carlos S. Rionda, P.E.
(Submitted under NOA No.07-0713.01)
3. Laboratory compliance letter for Test Reports No. **HETI-97-1096** and **HETI-97-1097**, issued by Hurricane Engineering & Testing, Inc., dated 05/06/97, both signed and sealed by Hector M. Medina, P.E.
(Submitted under NOA No.99-0629.01)
4. Laboratory compliance letter for Test Report No. **FTL-1162**, issued by Fenestration Testing Lab., Inc., dated 06/01/95, signed and sealed by Yamil Kuri, P.E.
(Submitted under NOA No.95-0630.06)

G. OTHERS

1. Notice of Acceptance No. **12-0503.02**, issued to Gopi Glass Sales & Services Corp. for their "Aluminum Fixed Window – N. I.", approved on 08/02/12 and expiring on 09/17/17.

2. NEW EVIDENCE SUBMITTED

A. DRAWINGS

1. Drawing No **W97-11**, titled "Aluminum Fixed Window (N.I.)", sheets 1 through 5 of 5, dated 06/24/97, with revision **H** dated 08/21/17, prepared by Al-Farooq Corporation, signed and sealed by Javad Ahmad, P.E.

B. TESTS

1. None

C. CALCULATIONS

1. None



Manuel Perez, P.E.
Product Control Examiner
NOA No. 17-0626.05

Expiration Date: September 17, 2022
Approval Date: October 19, 2017

Gopi Glass Sales & Services Corp.

NOTICE OF ACCEPTANCE: EVIDENCE SUBMITTED

D. QUALITY ASSURANCE

1. Miami-Dade Department of Regulatory and Economic Resources (RER)

E. MATERIAL CERTIFICATIONS

1. None.

F. STATEMENTS

1. Statement letter of conformance, complying with **FBC 5th Edition (2014)**, also with **FBC 6th Edition (2017)**, and of no financial interest, dated August 21, 2017, issued by Al-Farooq Corporation, signed and sealed by Javad Ahmad, P.E.

G. OTHERS

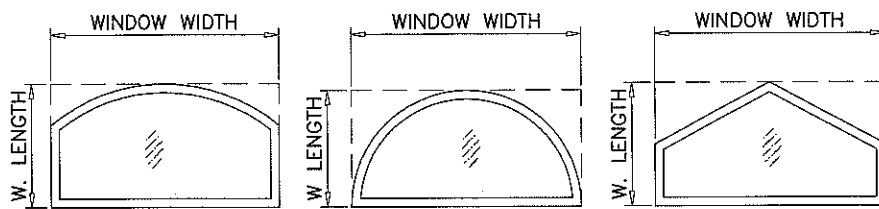
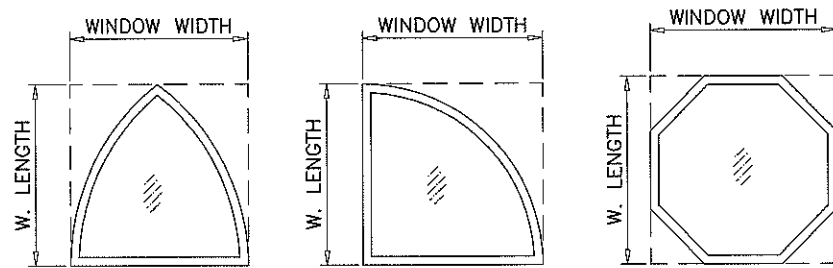
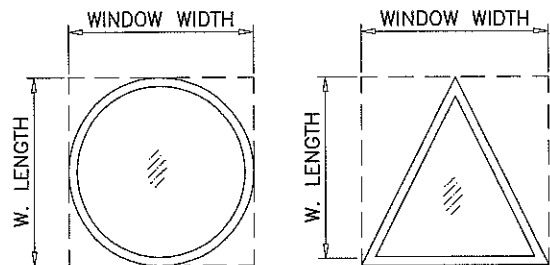
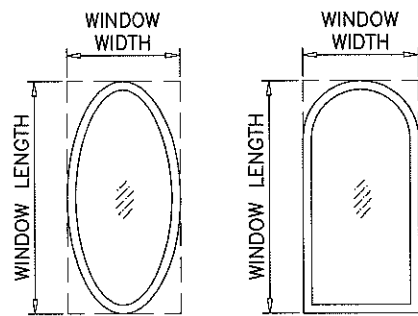
1. Notice of Acceptance No. **14-0728.06**, issued to Gopi Glass Sales & Services Corp. for their "Aluminum Fixed Window – N. I.", approved on 10/16/14 and expiring on 09/17/17.


Manuel Perez, P.E.
Product Control Examiner

NOA No. 17-0626.05

Expiration Date: September 17, 2022

Approval Date: October 19, 2017



ALLOWABLE LOADS FOR ALTERNATE SHAPES AS SHOWN ABOVE OR SIMILAR CAN BE VERIFIED BY INSCRIBING PICTURE WINDOW SHAPE WITHIN SQUARE OR RECTANGLE AS SHOWN IN DOTTED LINES AND OBTAINING ALLOWABLE LOADS FROM THOSE SHAPES.

ALUMINUM FIXED WINDOW

DESIGN LOAD RATINGS FOR THESE WINDOWS TO BE AS PER CHARTS SHOWN ON SHEETS 2.

APPROVAL APPLIES TO SINGLE UNITS OR SIDE BY SIDE COMBINATIONS OF FIX./FIX. OR FIXED WITH OTHER WINDOW TYPES IN MODULES OF TWO OR MORE WINDOWS USING MIAMI-DADE COUNTY APPROVED MULLIONS IN BETWEEN. LOWER DESIGN PRESSURE FROM WINDOWS OR MULLION APPROVAL WILL APPLY TO ENTIRE SYSTEM.

THIS PRODUCT HAS BEEN DESIGNED AND TESTED TO COMPLY WITH THE REQUIREMENTS OF THE 2014 (5TH EDITION)/2017 (6TH EDITION) FLORIDA BUILDING CODE INCLUDING HIGH VELOCITY HURRICANE ZONE (HVHZ).

1BY OR 2BY WOOD BUCKS & BUCK FASTENERS BY OTHERS, MUST BE DESIGNED AND INSTALLED ADEQUATELY TO TRANSFER APPLIED PRODUCT LOADS TO THE BUILDING STRUCTURE.

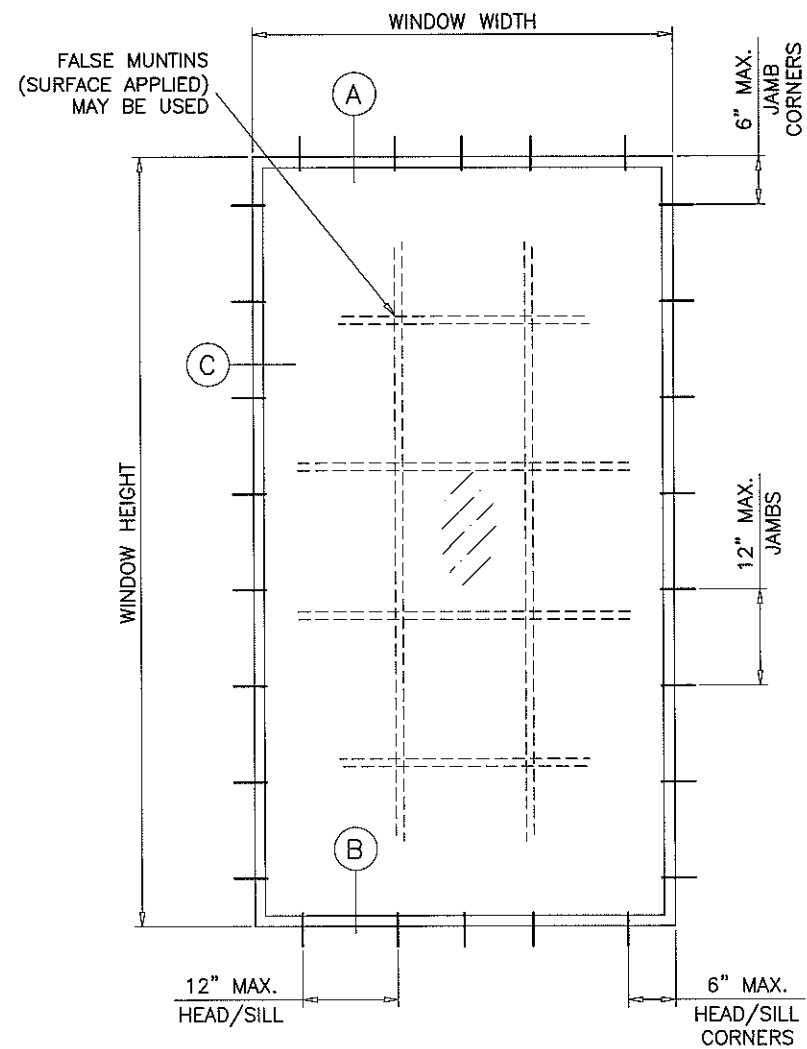
ANCHORS SHALL BE CORROSION RESISTANT, SPACED AS SHOWN ON DETAILS AND INSTALLED PER MANUF'S INSTRUCTIONS. SPECIFIED EMBEDMENT TO BASE MATERIAL SHALL BE BEYOND WALL DRESSING OR STUCCO.

A LOAD DURATION INCREASE IS USED IN DESIGN OF ANCHORS INTO WOOD ONLY.

ALL SHIMS TO BE HIGH IMPACT, NON-METALLIC AND NON-COMPRESSIBLE.

MATERIALS INCLUDING BUT NOT LIMITED TO STEEL/METAL SCREWS, THAT COME INTO CONTACT WITH OTHER DISSIMILAR MATERIALS SHALL MEET THE REQUIREMENTS OF THE 2014/2017 FLORIDA BLDG. CODE & ADOPTED STANDARDS.

THIS PRODUCT APPROVAL IS GENERIC AND DOES NOT PROVIDE INFORMATION FOR A SITE SPECIFIC PROJECT, I.E. LIFE SAFETY OF THIS PRODUCT, ADEQUACY OF STRUCTURE RECEIVING THIS PRODUCT AND SEALING AROUND OPENING FOR WATER INFILTRATION RESISTANCE ETC. CONDITIONS NOT SHOWN IN THIS DRAWING ARE TO BE ANALYZED SEPARATELY, AND TO BE REVIEWED BY BUILDING OFFICIAL.



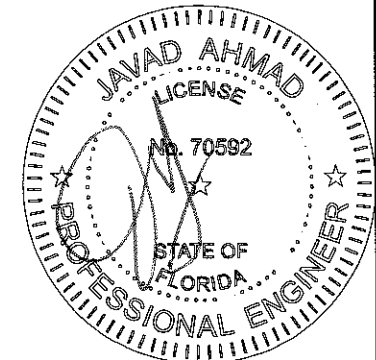
TYPICAL ELEVATION

WINDOWS NOT RATED FOR IMPACT.

INSTALLATION OF THIS PRODUCT IN THE HVHZ AREA REQUIRES THE USE OF APPROVED SHUTTERS OR EXTERNAL PROTECTION DEVICES COMPLYING WITH HVHZ REQUIREMENTS.

INSTALLATION OF THIS SYSTEM OUTSIDE THE HVHZ AREA SHALL MEET THE APPLICABLE REQUIREMENTS FOR WIND BORNE DEBRIS PROTECTION.

PRODUCT REVISED
as complying with the Florida
Building Code
Acceptance No 17-062605
Expiration Date SEP 17, 2022
By *Manuel Perez*
Miami Dade Product Control



af c
AL-FAROOQ CORPORATION
ENGINEERS & PRODUCT DEVELOPMENT
9360 SUNSET DRIVE, SUITE 220
MIAMI, FLORIDA 33173 (C.A.N. 3538)
TEL. (305) 264-8100 FAX. (305) 262-6978
COMP-ANL\W97-11GG-N

ALUMINUM FIXED WINDOW (N.I.)
Gopi Glass Sales & Services Corp.
7450 N.W. 41 STREET
MIAMI, FL. 33166
TEL. (305) 592-2089 FAX. (305) 477-0992

no	date	description
E	02.21.12	UPDATED TO 2010 FBC
F	05.29.14	UPDATED TO 2014 FBC
G	05.24.17	EDITORIAL CHANGES ONLY
H	08.21.17	REV. PER RER COMMENTS

date: 06-24-97
scale: 1/2"=1'-0"
dr. by: TARIQ
chk. by:

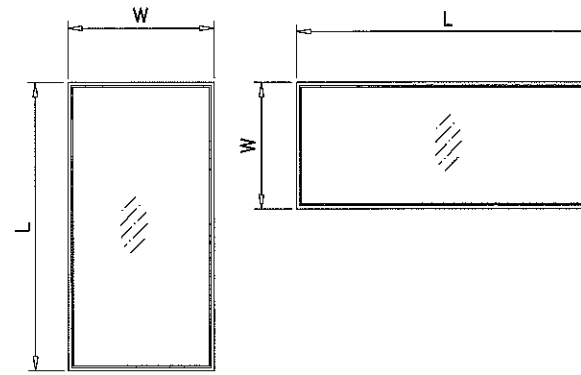
drawing no.
W97-11
sheet 1 of 5

DESIGN LOAD CAPACITY - PSF							
WINDOW DIMS.		3/16" ANN. GLASS		1/4" ANN. GLASS		3/16" TEMP. GLASS	
WIDTH	LENGTH	EXT.(+)	INT.(-)	EXT.(+)	INT.(-)	EXT.(+)	INT.(-)
19-1/8"	26" (3) *	77.9	77.9	120.6	120.6	133.3	183.9
26-1/2"		57.3	57.3	88.7	88.7	133.3	138.8
32"		57.3	57.3	88.7	88.7	133.3	138.8
37"		57.3	57.3	88.7	88.7	131.9	131.9
42"		57.3	57.3	84.1	84.1	123.9	123.9
48"		57.3	57.3	79.7	79.7	117.3	117.3
53-1/8"		56.8	56.8	76.9	76.9	113.3	113.3
19-1/8"	38-3/8" (4)	77.7	77.7	105.2	105.2	133.3	154.9
26-1/2"		56.2	56.2	87.0	87.0	128.2	128.2
32"		46.6	46.6	72.1	72.1	112.8	112.8
37"		40.3	40.3	62.3	62.3	97.6	97.6
42"		38.8	38.8	60.1	60.1	94.1	94.1
48"		38.8	38.8	60.1	60.1	94.1	94.1
53-1/8"		38.8	38.8	60.1	60.1	90.7	90.7
19-1/8"	50-5/8" (5)	72.0	72.0	97.4	97.4	133.3	143.4
26-1/2"		56.2	56.2	77.2	77.2	113.7	113.7
32"		46.6	46.6	69.0	69.0	101.6	101.6
37"		40.3	40.3	62.3	62.3	94.7	94.7
42"		35.5	35.5	54.9	54.9	85.9	85.9
48"		31.0	31.0	48.0	48.0	75.2	75.2
53-1/8"		29.4	29.4	45.6	45.6	71.3	71.3
19-1/8"	63" (6)	68.8	68.8	93.1	93.1	133.3	137.1
26-1/2"		53.3	53.3	72.2	72.2	106.3	106.3
32"		46.6	46.6	63.3	63.3	93.2	93.2
37"		40.3	40.3	57.8	57.8	85.1	85.1
42"		35.5	35.5	53.9	53.9	79.4	79.4
48"		-	-	48.0	48.0	74.9	74.9
53-1/8"		-	-	43.4	43.4	68.0	68.0
19-1/8"	74-1/4" (7)	67.0	67.0	90.6	90.6	133.3	133.5
26-1/2"		51.3	51.3	69.4	69.4	102.2	102.2
32"		39.6	39.6	54.8	54.8	88.6	88.6
37"		35.8	35.8	46.8	46.8	80.1	80.1
42"		-	-	43.8	43.8	73.8	73.8
48"		-	-	42.0	42.0	68.5	68.5
53-1/8"		-	-	-	65.2	65.2	

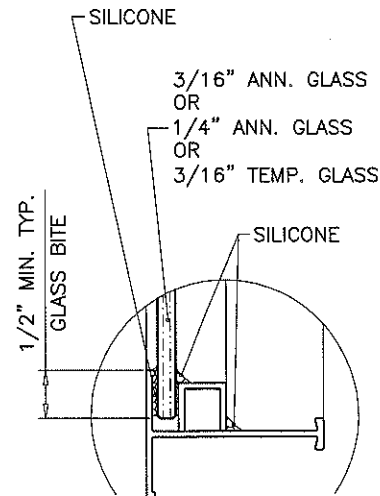
* NO. IN PARENTHESIS INDICATE NO. OF ANCHORS AT LONGER SIDES

DESIGN LOAD CAPACITY - PSF							
WINDOW DIMS.		3/16" ANN. GLASS		1/4" ANN. GLASS		3/16" TEMP. GLASS	
WIDTH	LENGTH	EXT.(+)	INT.(-)	EXT.(+)	INT.(-)	EXT.(+)	INT.(-)
24"	24" (2) *	61.7	61.7	96.1	96.1	133.3	150.4
36"		61.7	61.7	94.4	94.4	133.3	139.0
48"		61.7	61.7	83.9	83.9	123.6	123.6
60"		57.9	57.9	78.7	78.7	115.8	115.8
24"		61.7	61.7	94.4	94.4	133.3	139.0
36"	36" (3)	41.1	41.1	64.1	64.1	100.3	100.3
48"		41.1	41.1	64.1	64.1	98.9	98.9
60"		41.1	41.1	59.9	59.9	88.3	88.3
24"	48" (4)	61.7	61.7	83.9	83.9	123.6	123.6
36"		41.1	41.1	64.1	64.1	98.9	98.9
48"		30.8	30.8	48.0	48.0	75.2	75.2
60"		-	-	48.0	48.0	75.2	75.2
24"	60" (5)	57.9	57.9	78.7	78.7	115.8	115.8
36"		41.1	41.1	59.9	59.9	88.3	88.3
48"		-	-	48.0	48.0	75.2	75.2
60"	-	-	38.4	38.4	60.2	60.2	
24"	72" (6)	55.6	55.6	75.5	75.5	111.2	111.2
36"		37.6	37.6	49.8	49.8	82.4	82.4
48"		-	-	43.8	43.8	69.5	69.5
60"		-	-	-	-	60.2	60.2
24"	84" (7)	54.0	54.0	73.4	73.4	108.1	108.1
36"		-	-	42.1	42.1	78.6	78.6
48"		-	-	-	-	64.9	64.9
24"	96" (8)	52.9	52.9	71.9	71.9	105.9	105.9
36"		-	-	38.1	38.1	76.0	76.0
48"		-	-	-	-	61.8	61.8
24"	108" (9)	52.1	52.1	70.8	70.8	104.3	104.3
36"		-	-	-	-	74.1	74.1
24"	120" (10)	-	-	65.4	65.4	103.0	103.0
36"		-	-	-	-	72.7	72.7

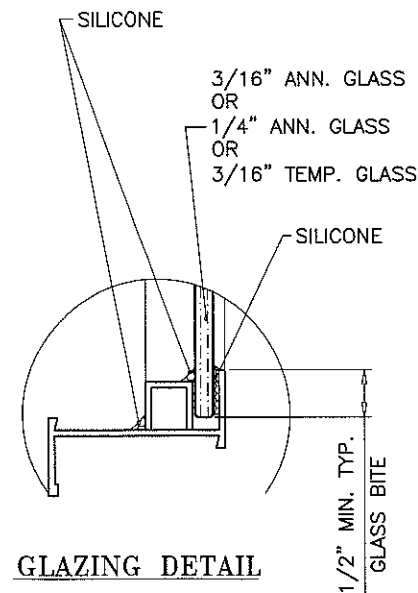
* NO. IN PARENTHESIS INDICATE NO. OF ANCHORS AT LONGER SIDES



NOTE:
WIDTH AND LENGTH DIMENSIONS CAN BE ORIENTED VERTICALLY OR HORIZONTALLY AS SHOWN ABOVE.



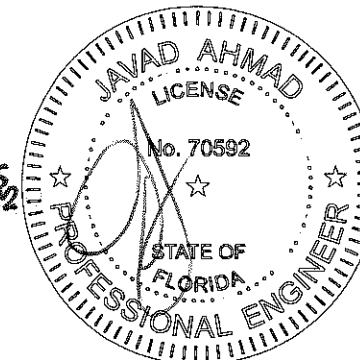
GLAZING DETAIL
INSIDE GLAZED WDW.



GLAZING DETAIL
OUTSIDE GLAZED WDW.

NOTE:
GLASS CAPACITIES ON THIS SHEET ARE
BASED ON ASTM E1300-09 (3 SEC. GUSTS).

PRODUCT REVISED
as complying with the Florida
Building Code
Acceptance No. 17-0626-05
Expiration Date Sept. 17, 2022
By *Manuel Perez*
Miami/Dade Product Control

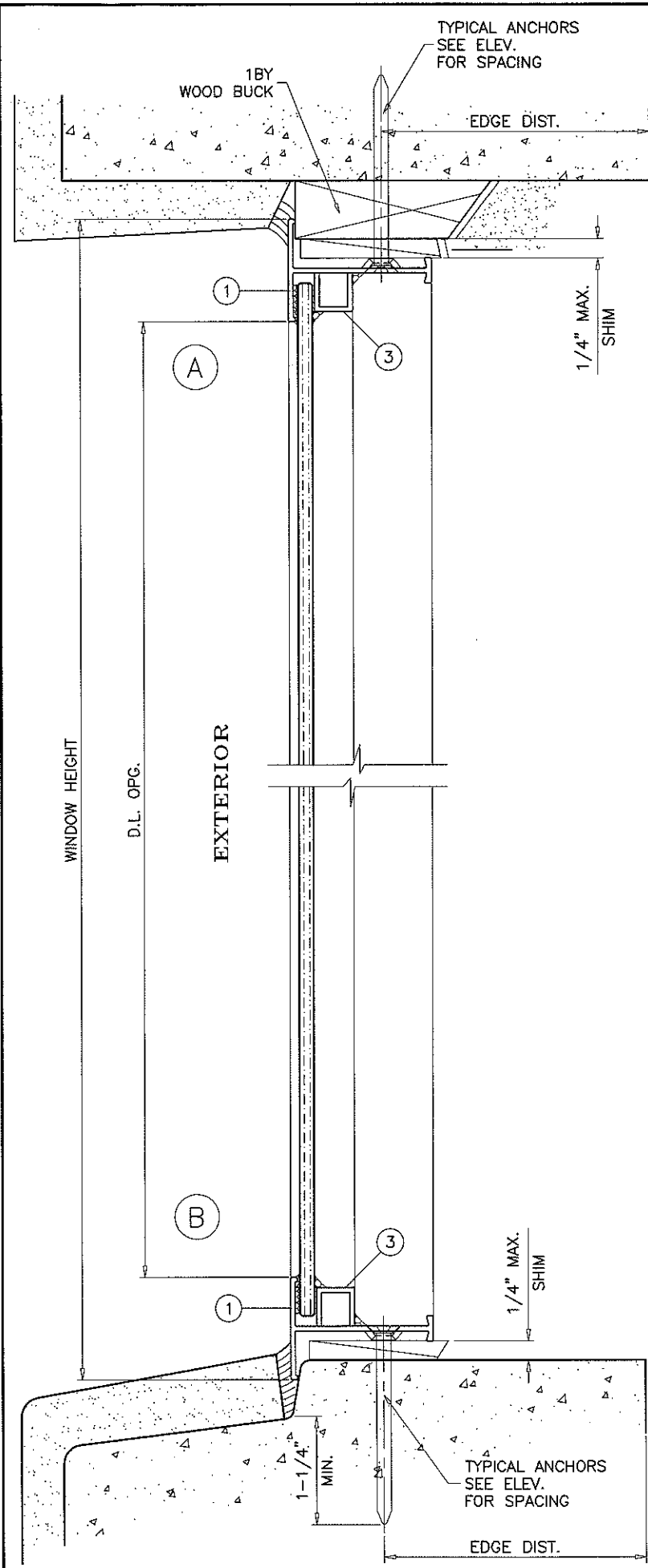


afC
AL-FAROOQ CORPORATION
ENGINEERS & PRODUCT DEVELOPMENT
9360 SUNSET DRIVE, SUITE 220 (C.A.N. 3538)
MIAMI, FLORIDA 33173 FAX. (305) 262-6978
TEL. (305) 264-8100
COMP-ANL/W97-11GG-N

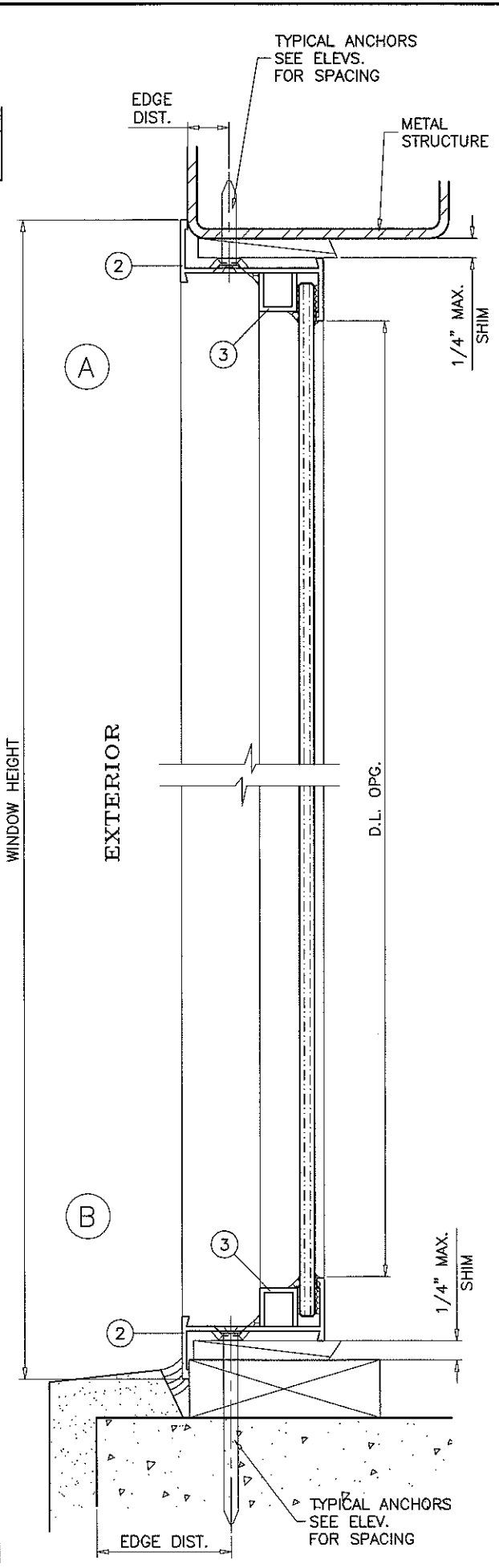
ALUMINUM FIXED WINDOW (N.I.)
Gopi Glass Sales & Services Corp.
7450 N.W. 41 STREET
MIAMI, FL. 33166
TEL. (305) 592-2089 FAX. (305) 477-0992

no	date	description
E	02.21.12	UPDATED TO 2010 FBC
F	05.29.14	NO CHANGE THIS SHEET
G	05.24.17	EDITORIAL CHANGES ONLY
H	08.21.17	REV. PER PER COMMENTS

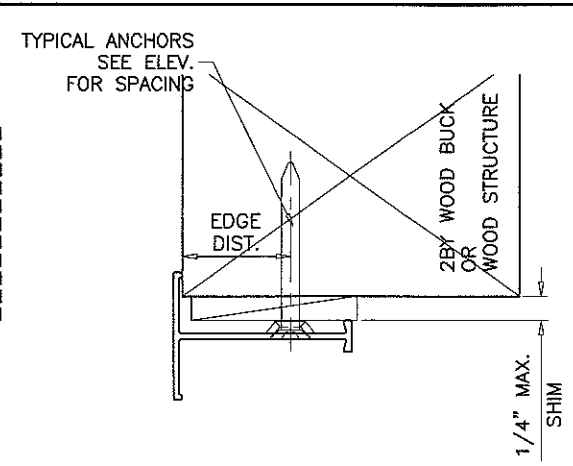
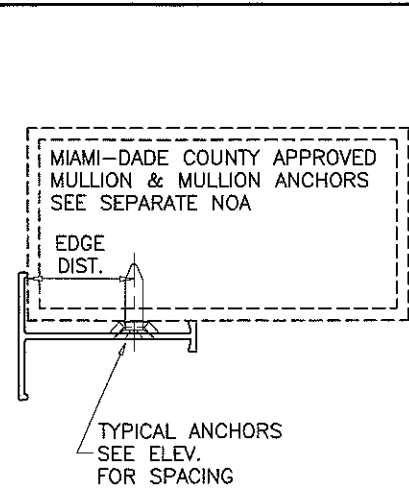
date: 06-24-97
scale: 1/2" = 1"
dr. by: TARIQ
chk. by:
drawing no. W97-11
sheet 2 of 5



INSIDE GLAZED WINDOW



OUTSIDE GLAZED WINDOW



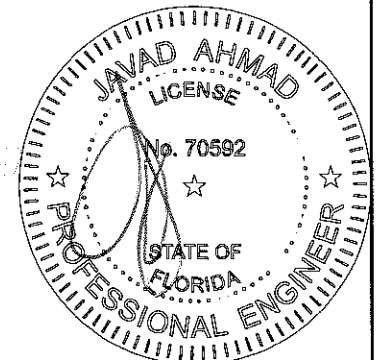
WOOD BUCKS AND METAL STRUCTURE NOT BY GOPI GLASS MUST SUSTAIN LOADS IMPOSED BY GLAZING SYSTEM AND TRANSFER THEM TO THE BUILDING STRUCTURE.

TYPICAL ANCHORS: SEE ELEV. FOR SPACING
 1/4" DIA. ULTRACON BY 'ELCO' (Fu=177 KSI, Fy=155 KSI)
 INTO 2BY WOOD BUCKS OR WOOD STRUCTURES
 1-1/2" MIN. PENETRATION INTO WOOD (HEAD/SILL/JAMBS)
 THRU 1BY BUCKS INTO CONC. OR BLOCKS
 1-1/4" MIN. EMBED INTO CONCRETE (HEAD/SILL/JAMBS)
 1-1/4" MIN. EMBED INTO BLOCKS (JAMBS)
 DIRECTLY INTO CONCRETE OR BLOCKS
 1-1/4" MIN. EMBED INTO CONCRETE (HEAD/SILL/JAMBS)
 1-1/4" MIN. EMBED INTO BLOCKS (JAMBS)
 3/16" DIA. TEKS OR SELF DRILLING SCREWS (GRADE 5 CRS)
 INTO MIAMI-DADE COUNTY APPROVED MULLIONS OR
 INTO METAL STRUCTURES (HEAD/SILL/JAMBS)
 (3) THREADS MIN. PENETRATION BEYOND SUBSTRATE
 ALUMINUM: 1/8" THK. MIN. (6063-T5 MIN.)
 STEEL: 1/8" THK. MIN. (Fy = 36 KSI MIN.)
 (STEEL IN CONTACT WITH ALUMINUM TO BE PLATED OR PAINTED)

TYPICAL EDGE DISTANCE
 INTO CONCRETE AND MASONRY = 1-7/8" MIN.
 INTO WOOD STRUCTURE = 9/16" MIN.
 INTO METAL STRUCTURE = 3/4" MIN.
 WOOD AT HEAD, SILL OR JAMBS SG = 0.55 MIN.
 CONCRETE AT HEAD, SILL OR JAMBS f'c = 3000 PSI MIN.
 C-90 HOLLOW/FILLED BLOCK AT JAMBS f'm = 2000 PSI MIN.

SEALANTS:
 ALL JOINTS AND FRAME CONNECTIONS SEALED WITH CRL SMALL JOINT SEALER.

PRODUCT REVISED as complying with the Florida Building Code
 Acceptance No. 17-0626.05
 Expiration Date Sept 17, 2022
 By *Manuel Perez*
 Miami Dade Product Control

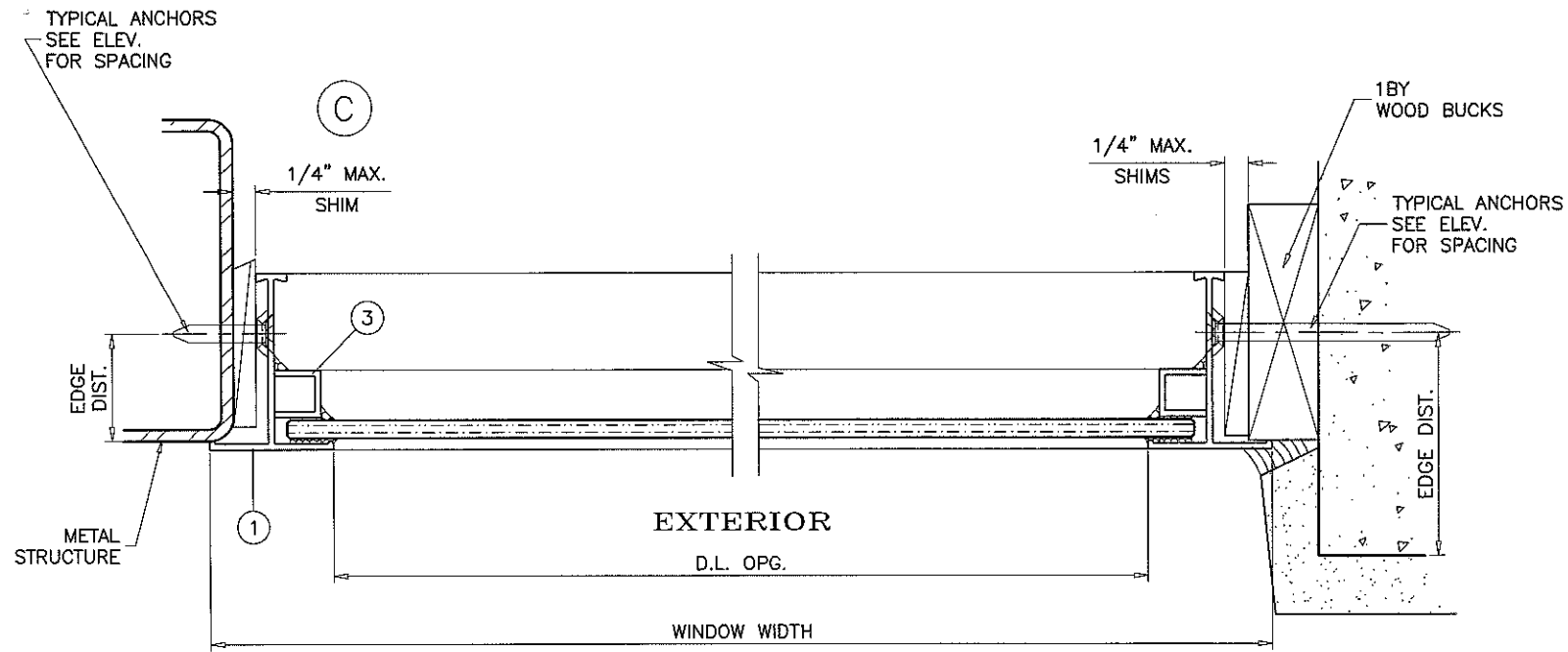


af c
AL-FAROOQ CORPORATION
 ENGINEERS & PRODUCT DEVELOPMENT
 9360 SUNSET DRIVE, SUITE 220
 MIAMI, FLORIDA 33173
 TEL. (305) 264-8100 FAX. (305) 262-6978
 (C.A.N. 3538)
 COMP-ANL\W97-11GG-N

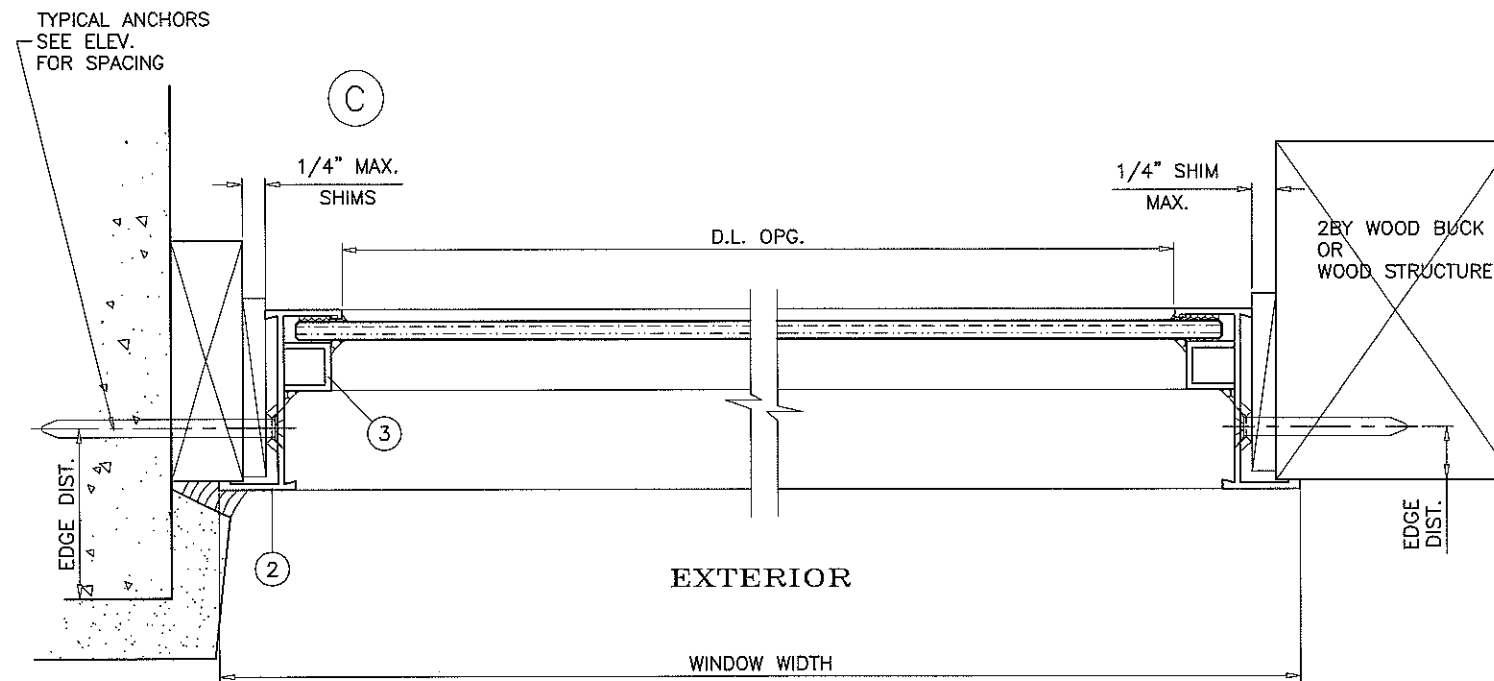
ALUMINUM FIXED WINDOW (N.I.)
 Gopi Glass Sales & Services Corp.
 7450 N.W. 41 STREET
 MIAMI, FL. 33166
 TEL. (305) 592-2089 FAX. (305) 477-0992

no	date	by	description
E	02.21.12		NO CHANGE THIS SHEET
F	05.29.14		UPDATED TO 2014 FBC
G	05.24.17		EDITORIAL CHANGES ONLY
H	08.21.17		REV. PER RER COMMENTS

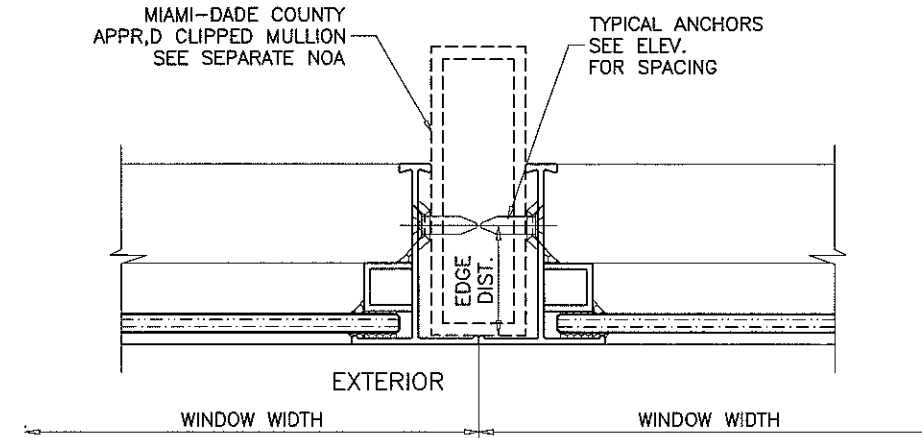
date: 06-24-97
 scale: 1/2" = 1"
 dr. by: TARIQ
 chk. by:
 drawing no. W97-11
 sheet 3 of 5



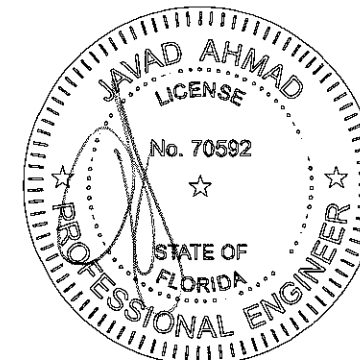
INSIDE GLAZED WINDOW



OUTSIDE GLAZED WINDOW



PRODUCT REVISED
 as complying with the Florida
 Building Code
 Acceptance No. 17-0626.05
 Expiration Date 5/17/2022
 By *Manuel Ruiz*
 Miami Dade Product Control



afc
AL-FAROOQ CORPORATION
 ENGINEERS & PRODUCT DEVELOPMENT
 9360 SUNSET DRIVE, SUITE 220 (C.A.N. 3538)
 MIAMI, FLORIDA 33173 TEL. (305) 264-8100 FAX. (305) 262-6978
 COMP-ANL\W97-11GG-N

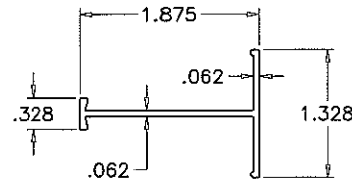
ALUMINUM FIXED WINDOW (N.I.)
 Gopi Glass Sales & Services Corp.
 7450 N.W. 41 STREET
 MIAMI, FL. 33166
 TEL. (305) 592-2089 FAX. (305) 477-0992

no	date	by	description
E	02.21.12		NO CHANGE THIS SHEET
F	05.29.14		NO CHANGE THIS SHEET
G	05.24.17		EDITORIAL CHANGES ONLY
H	08.21.17		REV. PER RER COMMENTS

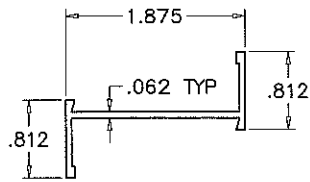
date: 06-24-97
 scale: 1/2" = 1"
 dr. by: TARIQ
 chk. by:

drawing no.
W97-11
 sheet 4 of 5

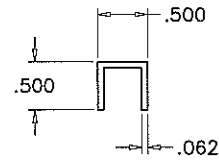
ITEM	PART #	QUANTITY	DESCRIPTION	MATERIAL	MANF./SUPPLIER/REMARKS
1	-	4	WINDOW FRAME (I.G. WDW.)	6063-T5	-
2	-	4	WINDOW FRAME (O.G. WDW.)	6063-T5	-
3	-	4	GLAZING STOP	6063-T5	-



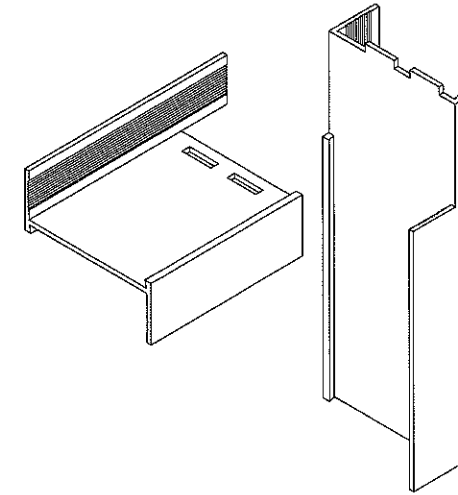
① FRAME I.G. WINDOW



② FRAME O.G. WINDOW

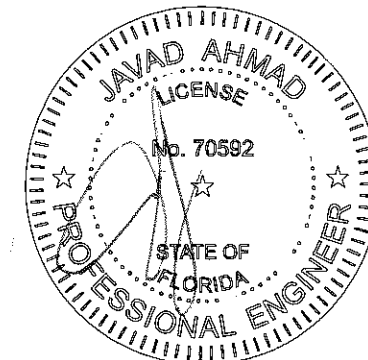


③ GLAZING STOP



FRAME CORNERS BUTT JOINTS WITH TABS
AND SEALED WITH CLEAR COLORED SEALANT
FRAME CORNER DETAIL

PRODUCT REVISED
as complying with the Florida
Building Code
Acceptance No. 17-0626.05
Expiration Date: ~~SEPT. 17, 2022~~
By: *Manuel Siles*
Miami Dade Product Control



af c
AL-FAROOQ CORPORATION
ENGINEERS & PRODUCT DEVELOPMENT
9360 SUNSET DRIVE, SUITE 220 (C.A.N. 3538)
MIAMI, FLORIDA 33173
TEL. (305) 264-8100 FAX. (305) 262-6978
COMP-ANL\W97-11GG-N

ALUMINUM FIXED WINDOW (N.I.)
Gopi Glass Sales & Services Corp.
7450 N.W. 41 STREET
MIAMI, FL. 33166
TEL. (305) 592-2089 FAX. (305) 477-0992

no	date	by	description
E	02.21.12		NO CHANGE THIS SHEET
F	05.29.14		NO CHANGE THIS SHEET
G	05.24.17		EDITORIAL CHANGES ONLY
H	08.21.17		REV. PER RFR COMMENTS

date: 06-24-97
scale: 1/2" = 1"
dr. by: TARIQ
chk. by:
drawing no.
W97-11
sheet 5 of 5