



DEPARTMENT OF REGULATORY AND ECONOMIC RESOURCES (RER)
BOARD AND CODE ADMINISTRATION DIVISION

NOTICE OF ACCEPTANCE (NOA)

MIAMI-DADE COUNTY
PRODUCT CONTROL SECTION
11805 SW 26 Street, Room 208
Miami, Florida 33175-2474
T (786) 315-2590 F (786) 315-2599
www.miamidade.gov/economy

Sto Corporation
3800 Camp Creek Parkway Bldg. 1400 Suite 120
Atlanta, GA 30331

SCOPE:

This NOA is being issued under the applicable rules and regulations governing the use of construction materials. The documentation submitted has been reviewed and accepted by Miami-Dade County RER-Product Control Section to be used in Miami-Dade County and other areas where allowed by the Authority Having Jurisdiction (AHJ).

This NOA shall not be valid after the expiration date stated below. The Miami-Dade County Product Control Section (In Miami-Dade County) and/ or the AHJ (in areas other than Miami-Dade County) reserve the right to have this product or material tested for quality assurance purposes. If this product or material fails to perform in the accepted manner, the manufacturer will incur the expense of such testing and the AHJ may immediately revoke, modify, or suspend the use of such product or material within their jurisdiction. RER reserves the right to revoke this acceptance, if it is determined by Miami-Dade County Product Control Section that this product or material fails to meet the requirements of the applicable building code.

This product is approved as described herein, and has been designed to comply with the Florida Building Code, including the High Velocity Hurricane Zone.

DESCRIPTION: StoTherm CI HI-PLY SF/WF EIFS Systems over 5/8" Plywood Sheathing

APPROVAL DOCUMENT: Drawing No. **HI-PLY SF/WF**, titled "StoTherm CI HI-PLY SF/WF for Large Missile Impact Resistance EIFS", sheets 1 through 4 of 4, dated 05/04/2018, prepared by Sto Corporation, signed and sealed by Kurt W. Heinrichs, P.E., bearing the Miami-Dade County Product Control approval stamp with the Notice of Acceptance number and approval date by the Miami-Dade County Product Control Section.

MISSILE IMPACT RATING: Large and Small Missile Impact Resistant.

LABELING: Each unit shall bear a permanent label with the manufacturer's name or logo, model (CI HI-SF/ WF), city, state and following statement: "Miami-Dade County Product Control Approved", unless otherwise noted herein. Each container (bucket or drum) needs to be labeled. Unit is further defined as each roll of reinforcing mat or mesh.

RENEWAL of this NOA shall be considered after a renewal application has been filed and there has been no change in the applicable building code negatively affecting the performance of this product.

TERMINATION of this NOA will occur after the expiration date or if there has been a revision or change in the materials, use, and/ or manufacture of the product or process. Misuse of this NOA as an endorsement of any product, for sales, advertising or any other purposes shall automatically terminate this NOA. Failure to comply with any section of this NOA shall be cause for termination and removal of NOA.

ADVERTISEMENT: The NOA number preceded by the words Miami-Dade County, Florida, and followed by the expiration date may be displayed in advertising literature. If any portion of the NOA is displayed, then it shall be done in its entirety.

INSPECTION: A copy of this entire NOA shall be provided to the user by the manufacturer or its distributors and shall be available for inspection at the job site at the request of the Building Official.

This NOA consists of this page 1 and evidence page E-1, as well as approval document mentioned above.

The submitted documentation was reviewed by **Carlos M. Utrera, P.E.**



Handwritten signature and date: 06/13/2018

NOA No. 17-0727.03
Expiration Date: June 21, 2023
Approval Date: June 21, 2018
Page 1

NOTICE OF ACCEPTANCE: EVIDENCE SUBMITTED

A. DRAWINGS

1. Drawing No. **HI-PLY SF/WF**, titled "StoTherm ci HI-PLY SF/WF for Large Missile Impact Resistance EIFS", sheets 1 through 4 of 4, dated 05/04/2018, prepared by Sto Corporation, signed and sealed by Kurt W. Heinrichs, P.E.

B. TESTS

1. Test reports on 1) Air Infiltration Test, per FBC, TAS 202-94
2) Uniform Static Air Pressure Test, Loading per FBC TAS 202-94
3) Water Resistance Test, per FBC, TAS 202-94
4) Cyclic Wind Pressure Loading per FBC, TAS 203-94
along with marked-up drawings and installation diagram of StoTherm ci HI-PLY SF EIFS System, prepared by Intertek/ATI, Test Report No. **G5683.02-550-18**, dated 10/17/2017, signed and sealed by Justin P. McDonald, P.E.
2. Test reports on 1) Air Infiltration Test, per FBC, TAS 202-94
2) Uniform Static Air Pressure Test, Loading per FBC TAS 202-94
3) Water Resistance Test, per FBC, TAS 202-94
4) Cyclic Wind Pressure Loading per FBC, TAS 203-94
along with marked-up drawings and installation diagram of StoTherm ci HI-PLY WF EIFS System, prepared by Intertek/ATI, Test Report No. **G5683.03-550-18**, dated 03/17/2017, signed and sealed by Justin P. McDonald, P.E.

C. CALCULATIONS

1. None.

D. QUALITY ASSURANCE

1. Miami-Dade Department of Regulatory and Economic Resources (RER)

E. MATERIAL CERTIFICATIONS

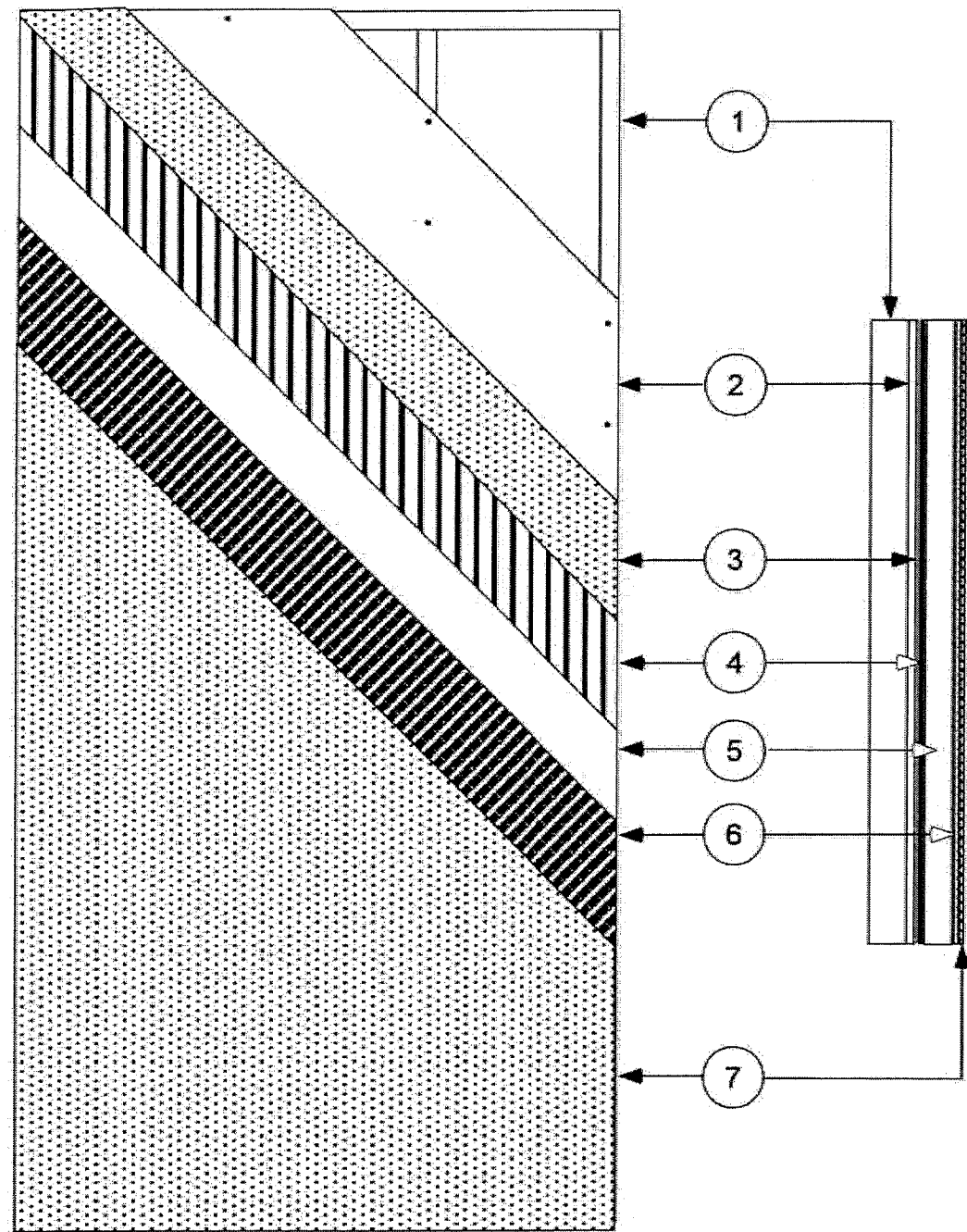
1. None.

F. STATEMENTS

1. Statement of code conformance to the 6th edition (2017) FBC issued by Nova Engineering and Environmental, LLC, dated 03/07/2018, signed and sealed by Kurt W. Heinrichs, P.E.
2. Statement letter of no financial interest issued by Nova Engineering and Environmental, LLC, dated 02/23/2018, signed and sealed by Kurt W. Heinrichs, P.E.



Carlos M. Utrera, P.E.
Product Control Examiner
NOA No. 17-0727.03
Expiration Date: June 21, 2023
Approval Date: June 21, 2018



DESCRIPTION: STOTHERM CI HI-PLY SF (STEEL FRAMING WITH PLYWOOD SHEATHING)

COMPONENTS AND INSTALLATION

- ① 18 GA., 6 IN. x 1 5/8 IN. STEEL STUDS AT 16" O.C. - SEE GENERAL NOTES 4, 5 AND 6
- ② MINIMUM 5/8 IN., 5-PLY IMPACT RESISTANT PLYWOOD SHEATHING FASTENED WITH MINIMUM 1-1 1/4 IN. S-12 SCREWS AT MAXIMUM 6 INCHES O.C. ALONG STUDS AND AT PERIMETER
- ③ STOGUARD WITH STO GOLD COAT AIR/MOISTURE BARRIER APPLIED TO SHEATHING PER MANUFACTURER'S PUBLISHED PRODUCT INSTRUCTIONS
- ④ STO PRIMER/ADHESIVE-B BASE COAT MIXED AND APPLIED AS AN ADHESIVE PER MANUFACTURER'S PUBLISHED PRODUCT INSTRUCTIONS WITH A NOTCHED TROWEL FORMING VERTICAL RIBBONS FOR DRAINAGE.
- ⑤ MINIMUM 1 IN. THICK EPS INSULATION BOARD MEETING THE REQUIREMENTS OF FBC. EPS SUPPLIER SHALL HAVE A CURRENT NOA WITH MIAMI-DADE COUNTY.
- ⑥ STO PRIMER/ADHESIVE-B BASE COAT MIXED AND APPLIED AS A BASE COAT PER MANUFACTURER'S PUBLISHED INSTRUCTIONS. STO MESH, 4.5 OZ./SQ.YD. SHALL BE FULLY EMBEDDED IN BASE COAT. FINAL THICKNESS OF BASE COAT WITH EMBEDDED MESH SHALL BE MINIMUM 1/16 IN.
- ⑦ STO FINISH APPLIED IN ACCORDANCE WITH MANUFACTURER'S PUBLISHED PRODUCT INSTRUCTIONS.

GENERAL NOTES:

- 1. THIS SYSTEM HAS BEEN DESIGNED IN ACCORDANCE WITH THE FLORIDA BUILDING CODE, 2017 EDITION.
- 2. THIS SYSTEM HAS BEEN TESTED IN ACCORDANCE WITH THE FLORIDA BUILDING CODE TAS 201, TAS 202, AND TAS 203.
- 3. THIS SYSTEM SHALL BE APPLIED BY A LICENSED PLASTERING CONTRACTOR.
- 4. THE ENGINEER OR ARCHITECT OF RECORD FOR EACH PROJECT USING THIS SYSTEM SHALL DESIGN THE FRAMING AND SHEATHING AS REQUIRED BY GOVERNING CODES AND THIS DOCUMENT.
- 5. ALL STUDS IN THIS SYSTEM SHALL BE COMPLETELY SHEATHED AT THE INTERIOR FLANGE OR BRIDGED AT A MAXIMUM EVERY 5 FT. OF STUD LENGTH OR AS SPECIFIED BY THE STUD MANUFACTURER.
- 6. ALL STEEL STUDS SHALL BE STRUCTURAL WITH 1 5/8 IN. MINIMUM FLANGE WIDTH AND A MINIMUM YIELD STRENGTH OF 33000 psi.

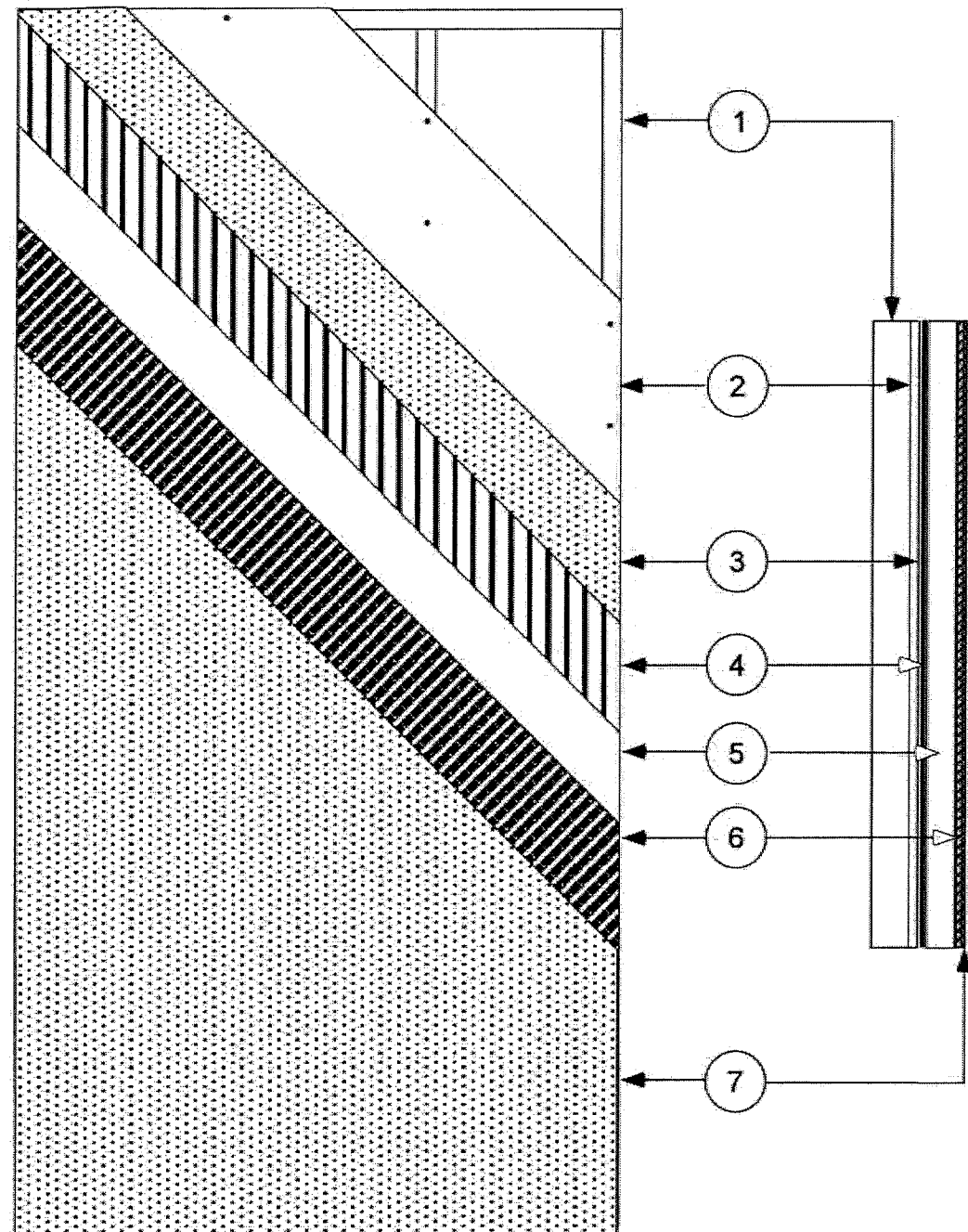
**Design Pressure Rating
+/- 150 psf**

(NOTE: DESIGN PRESSURE RATING FOR STEEL FRAMING ASSEMBLY. SEE PAGE 2 OF 4 FOR DESIGN PRESSURE AND OTHER NOTES USING WOOD FRAMING)

PRODUCT APPROVED
as complying with the Florida
Building Code
NOA-No. 17-0737.03
Approval Date 06/21/2023
By *[Signature]*
Miami-Dade Product Control

Review by:

STOTHERM CI HI-PLY SF LARGE MISSILE IMPACT RESISTANT EIFS WITH STEEL FRAMING		
Sto Corp. 3800 Camp Creek Pkwy Bldg. 1400, Ste 120 Atlanta, GA 30331	Drawing: HI-PLY SF/WF PAGE 1 OF 4	
MAY 2018	NOT TO SCALE	Drawn by: TLV



DESCRIPTION: STOTHERM CI HI-PLY WF (WOOD FRAMING WITH PLYWOOD SHEATHING)

COMPONENTS AND INSTALLATION

- ① MINIMUM 2 IN. X 4 IN. (NOMINAL) WOOD STUDS AT 16 IN. O.C. SPF, GRADE 2 KILN DRIED – SEE GENERAL NOTES NO. 4 AND 5.
- ② MINIMUM 5/8 IN., 5-PLY PLYWOOD SHEATHING FASTENED TO FRAMING WITH MINIMUM 8D COMMON NAILS SPACED MAXIMUM 6 IN. O.C. ALONG STUDS AND AT PERIMETER
- ③ STOGUARD WITH STO GOLD COAT AIR/MOISTURE BARRIER APPLIED TO SHEATHING PER MANUFACTURER'S PUBLISHED PRODUCT INSTRUCTIONS
- ④ STO PRIMER/ADHESIVE-B BASE COAT MIXED AND APPLIED AS AN ADHESIVE PER MANUFACTURER'S PUBLISHED PRODUCT INSTRUCTIONS WITH A NOTCHED TROWEL FORMING VERTICAL RIBBONS FOR DRAINAGE.
- ⑤ MINIMUM 1 IN. THICK EPS INSULATION BOARD MEETING THE REQUIREMENTS OF FBC. EPS SUPPLIER SHALL HAVE A CURRENT NOA WITH MIAMI-DADE COUNTY.
- ⑥ STO PRIMER/ADHESIVE-B BASE COAT MIXED AND APPLIED AS A BASE COAT PER MANUFACTURER'S PUBLISHED INSTRUCTIONS. STO MESH, 4.5 OZ./SQ.YD. SHALL BE FULLY EMBEDDED IN BASE COAT. FINAL THICKNESS OF BASE COAT WITH EMBEDDED MESH SHALL BE MINIMUM 1/16 IN.
- ⑦ STO FINISH APPLIED IN ACCORDANCE WITH MANUFACTURER'S PUBLISHED PRODUCT INSTRUCTIONS.

GENERAL NOTES:

- 1. THIS SYSTEM HAS BEEN DESIGNED IN ACCORDANCE WITH THE FLORIDA BUILDING CODE, 2017 EDITION.
- 2. THIS SYSTEM HAS BEEN TESTED IN ACCORDANCE WITH THE FLORIDA BUILDING CODE TAS 201, TAS 202, AND TAS 203.
- 3. THIS SYSTEM SHALL BE APPLIED BY A LICENSED PLASTERING CONTRACTOR.
- 4. THE ENGINEER OR ARCHITECT OF RECORD FOR EACH PROJECT USING THIS SYSTEM SHALL DESIGN THE FRAMING AND SHEATHING AS REQUIRED BY GOVERNING CODES AND THIS DOCUMENT.
- 5. ALL STUDS IN THIS SYSTEM SHALL BE COMPLETELY SHEATHED AT THE INTERIOR FLANGE OR BRIDGED AT A MAXIMUM EVERY 5 FT. OF STUD LENGTH OR AS REQUIRED BY CODE.

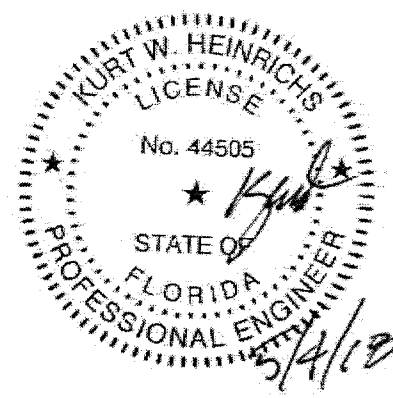
Design Pressure Rating

+/- 100 psf

(NOTE: DESIGN PRESSURE RATING FOR WOOD FRAMING ASSEMBLY. SEE PAGE 1 OF 4 FOR DESIGN PRESSURE AND OTHER NOTES USING STEEL FRAMING)

PRODUCT APPROVED
 as complying with the Florida
 Building Code
 NOA-No. **17-0737.03**
 Approval Date **06/21/2023**
 By *[Signature]*
 Miami-Dade Product Control

Review by:



STOTHERM CI HI-PLY WF
 LARGE MISSILE IMPACT RESISTANT EIFS
 WITH WOOD FRAMING

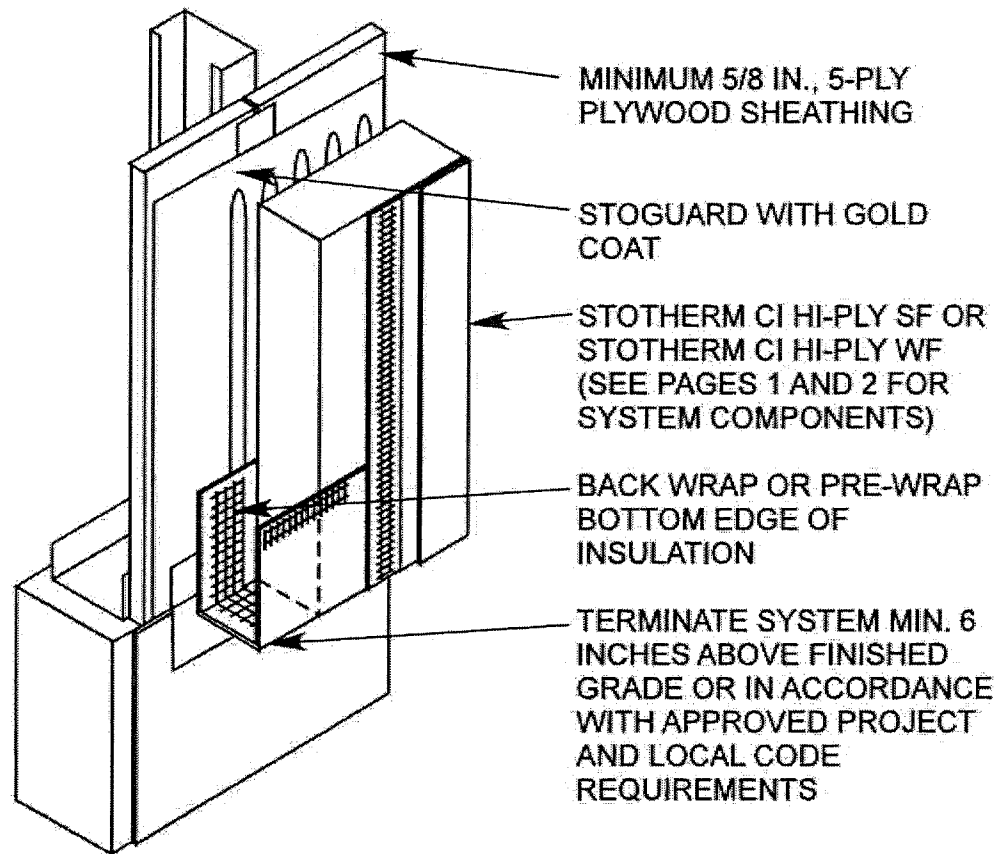
Sto Corp.
 3800 Camp Creek Pkwy
 Bldg. 1400, Ste 120
 Atlanta, GA 30331

Drawing:
 HI-PLY SF/WF
 PAGE 2 OF 4

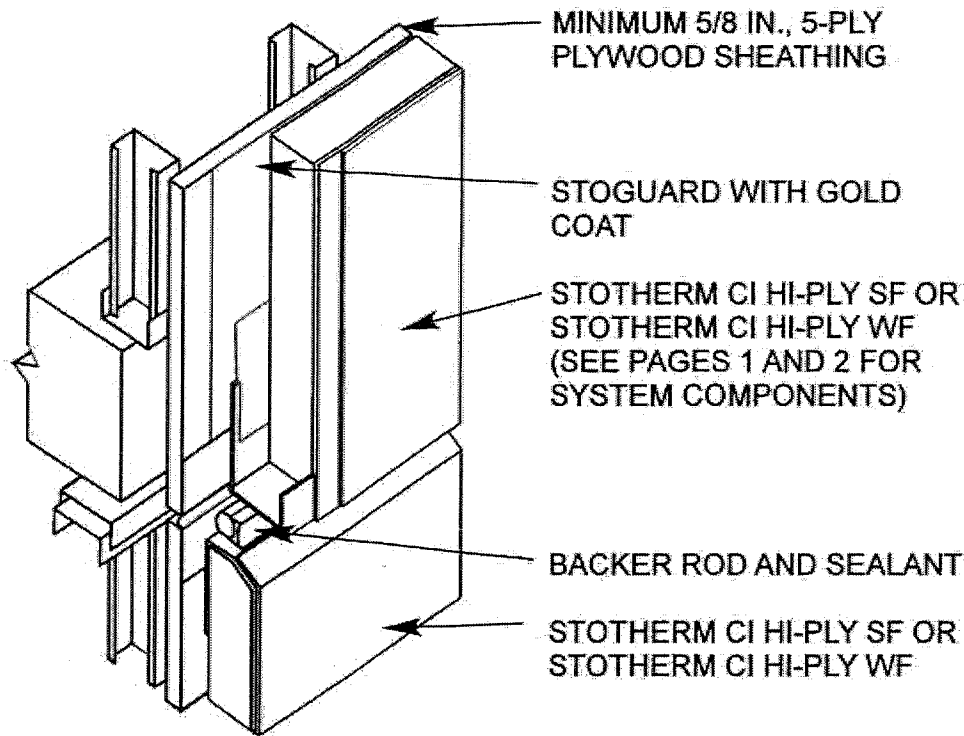
MAY 2018

NOT TO SCALE

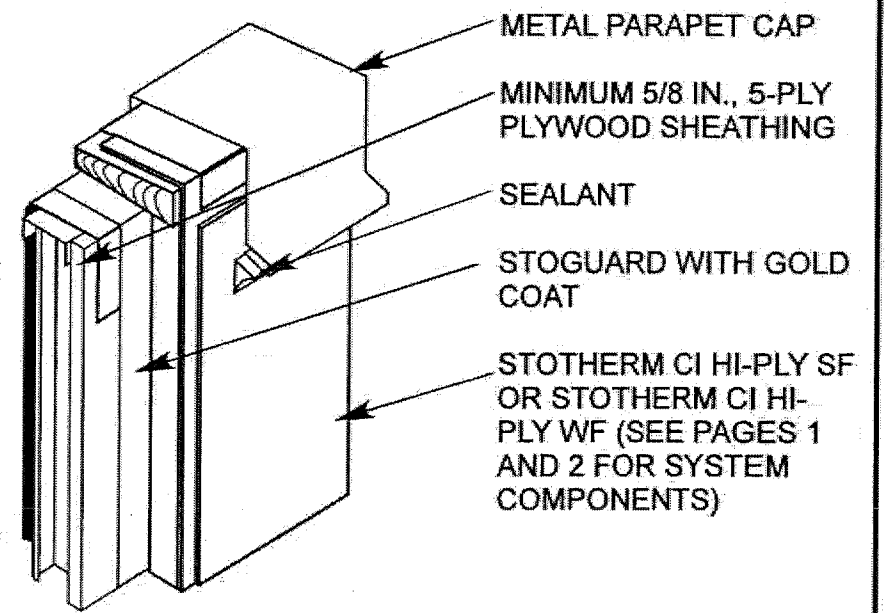
Drawn by: TLV



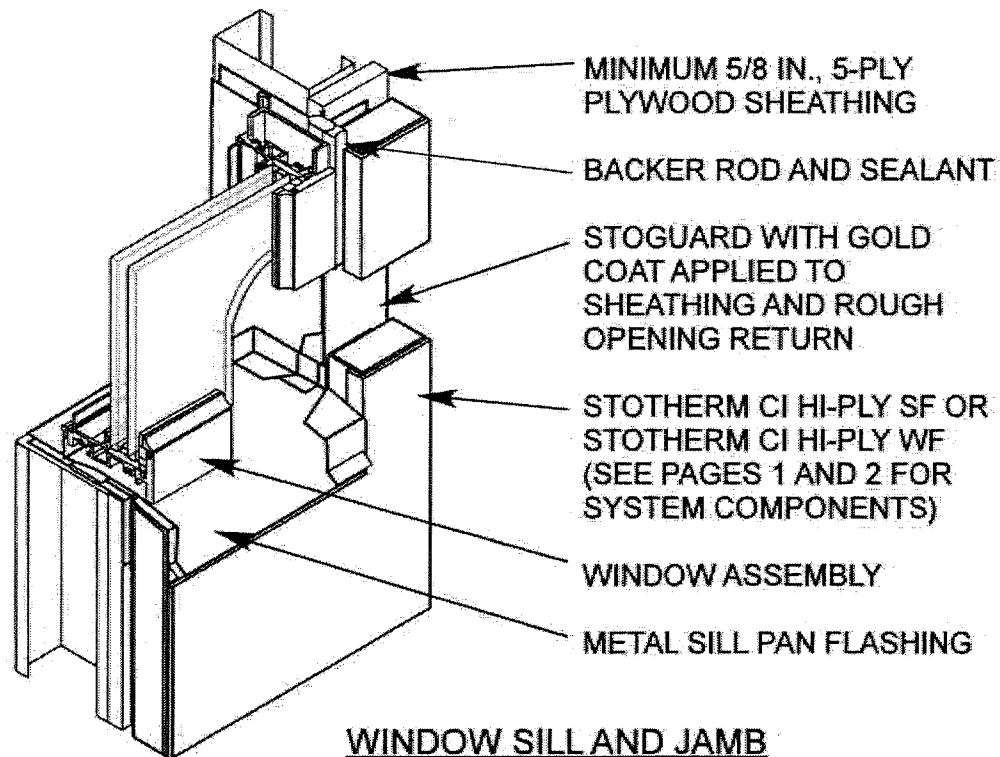
TERMINATION AT GRADE OR BASE OF WALL



FLOOR LINE JOINT WITH EIFS STARTER TRACK



PARAPET CAP



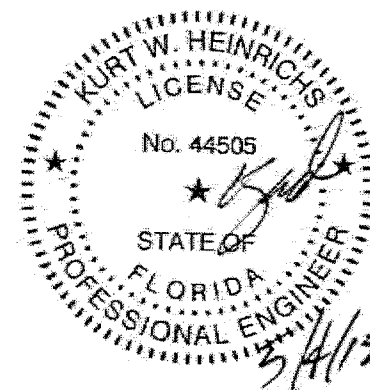
WINDOW SILL AND JAMB

GENERAL NOTES:

1) STOTHERM CI INSTALLATION SAME FOR BOTH STEEL AND WOOD FRAME OPTIONS. STEEL FRAME ONLY SHOWN FOR TYPICAL DETAILS.

PRODUCT APPROVED
as complying with the Florida Building Code
NOA-No. **17-0737.03**
Approval Date **06/21/2023**
By *[Signature]*
Miami-Dade Product Control

Review by:



STOTHERM CI HI-PLY SF / WF
LARGE MISSILE IMPACT RESISTANT EIFS
TYPICAL DETAILS

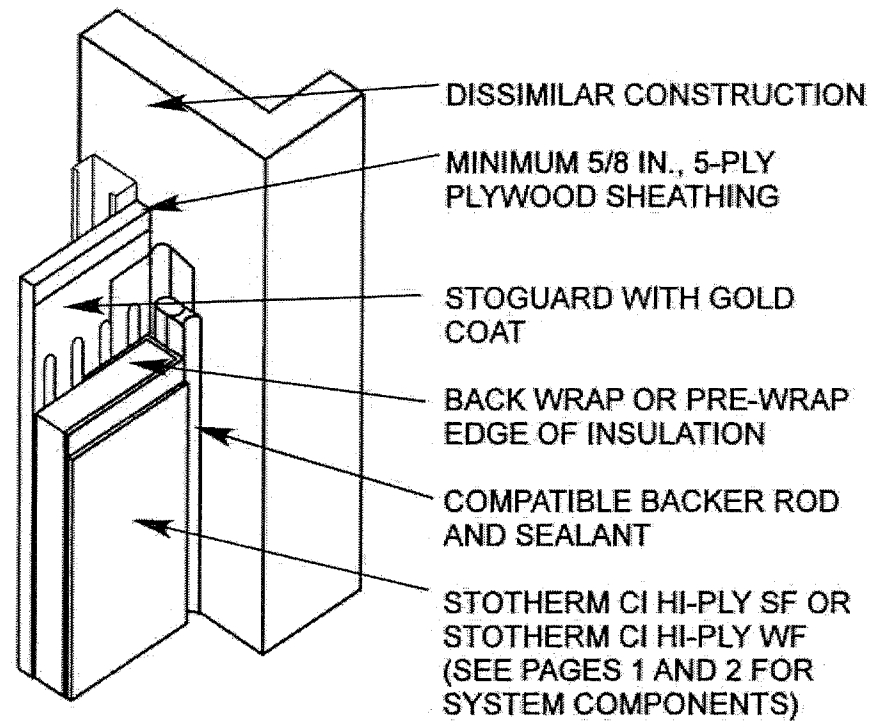
Sto Corp.
3800 Camp Creek Pkwy
Bldg. 1400, Ste 120
Atlanta, GA 30331

Drawing:
HI-PLY SF/WF
PAGE 3 OF 4

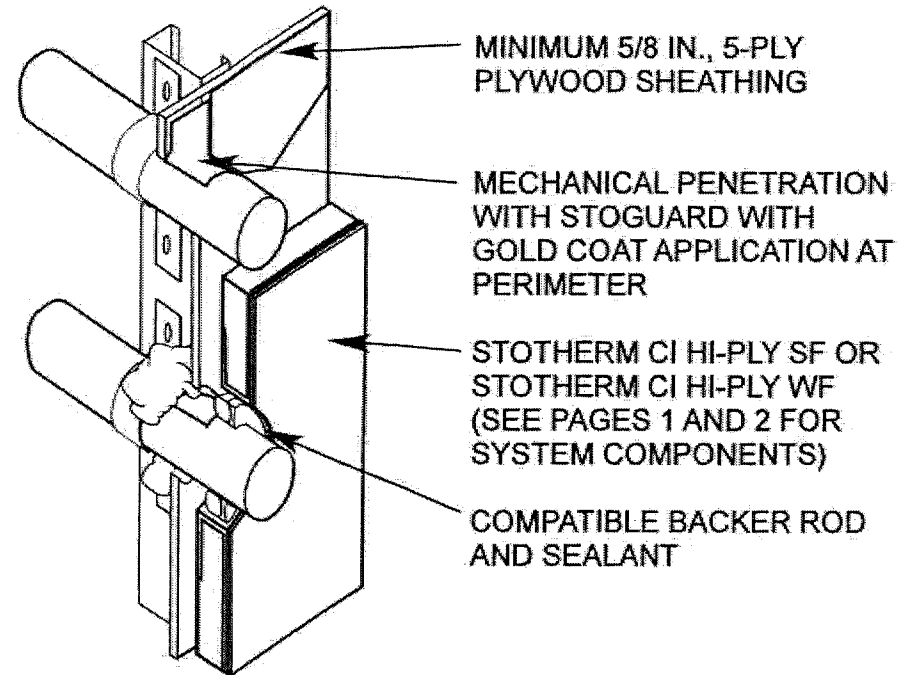
MAY 2018

NOT TO SCALE

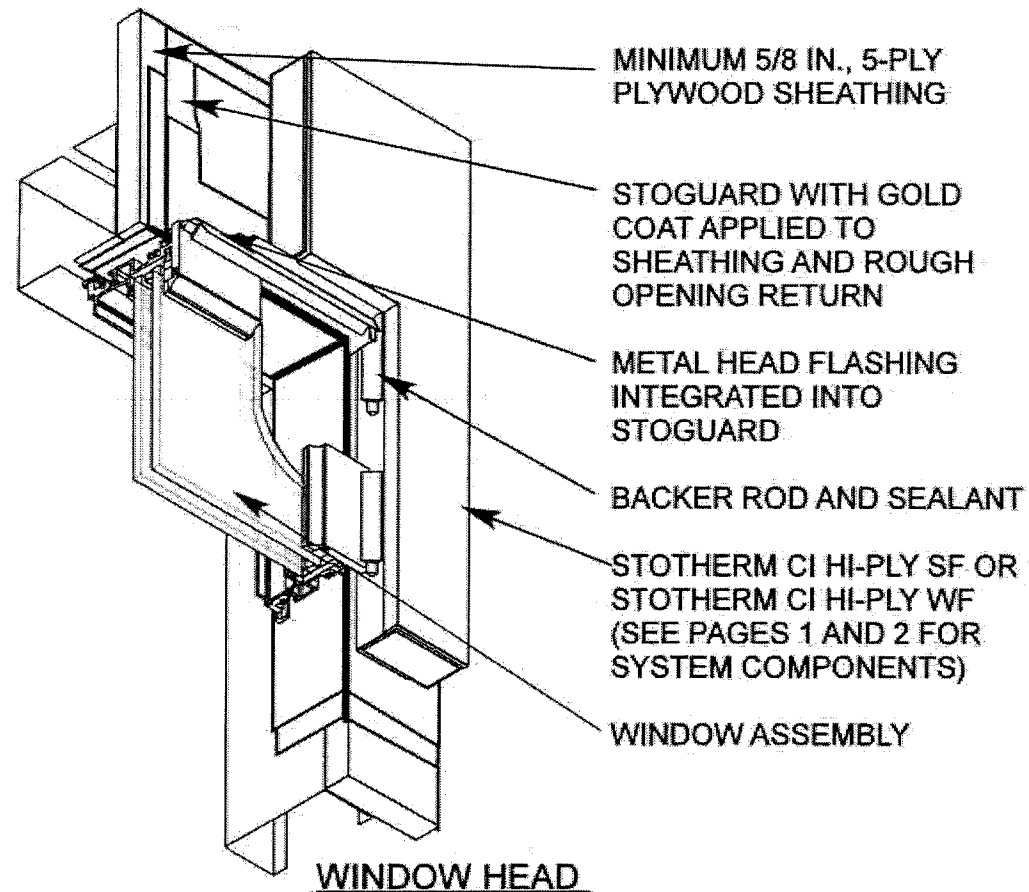
Drawn by: TLV



TERMINATION AT DISSIMILAR CONSTRUCTION



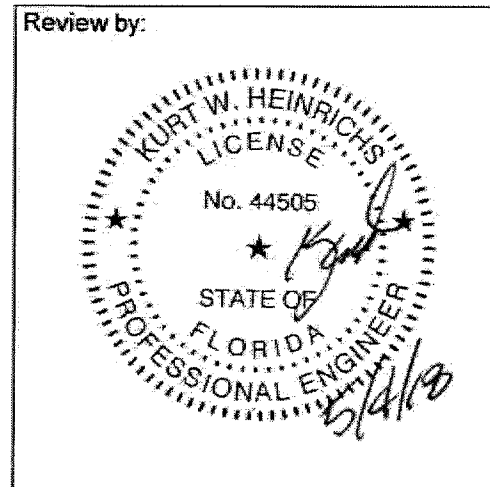
TERMINATION AT MECHANICAL PENETRATION



GENERAL NOTES:

1) STOTHERM CI INSTALLATION SAME FOR BOTH STEEL AND WOOD FRAME OPTIONS. STEEL FRAME ONLY SHOWN FOR TYPICAL DETAILS.

PRODUCT APPROVED
as complying with the Florida Building Code
NOA-No. 17-0737.03
Approval Date 06/21/2023
By [Signature]
Miami-Dade Product Control



STOTHERM CI HI-PLY SF / WF LARGE MISSILE IMPACT RESISTANT EIFS TYPICAL DETAILS		
Sto Corp. 3800 Camp Creek Pkwy Bldg. 1400, Ste 120 Atlanta, GA 30331	Drawing: HI-PLY SF/WF PAGE 4 OF 4	
MAY 2018	NOT TO SCALE	Drawn by: TLV