



DEPARTMENT OF REGULATORY AND ECONOMIC RESOURCES (RER)
BOARD AND CODE ADMINISTRATION DIVISION

MIAMI-DADE COUNTY
PRODUCT CONTROL SECTION

11805 SW 26 Street, Room 208
T (786) 315-2590 F (786) 315-2599

NOTICE OF ACCEPTANCE (NOA)

www.miamidade.gov/economy

QuikServ Corp.
11441 Brittmoore Park Drive
Houston, TX 77041

SCOPE:

This NOA is being issued under the applicable rules and regulations governing the use of construction materials. The documentation submitted has been reviewed and accepted by Miami-Dade County RER - Product Control Section to be used in Miami Dade County and other areas where allowed by the Authority Having Jurisdiction (AHJ).

This NOA shall not be valid after the expiration date stated below. The Miami-Dade County Product Control Section (In Miami-Dade County) and/or the AHJ (in areas other than Miami-Dade County) reserve the right to have this product or material tested for quality assurance purposes. If this product or material fails to perform in the accepted manner, the manufacturer will incur the expense of such testing and the AHJ may immediately revoke, modify, or suspend the use of such product or material within their jurisdiction. RER reserves the right to revoke this acceptance, if it is determined by Miami-Dade County Product Control Section that this product or material fails to meet the requirements of the applicable building code.

This product is approved as described herein, and has been designed to comply with the Florida Building Code, including the High Velocity Hurricane Zone.-

DESCRIPTION: Series "PCJ-130-IP and QSP-713S-Mini-IP" Aluminum Pass-Through Window - L.M.I.

APPROVAL DOCUMENT: Drawing No. **17-081**, titled "Aluminum Commercial Pass-Thru Window Large Missile Impact Resistant", sheets 1 through 13 of 13, dated 07/17/17, with revision # **2**, dated 11/02/17, prepared by Tilteco, Inc., signed and sealed by Walter A. Tillit, Jr., P.E., bearing the Miami-Dade County Product Control Revision stamp with the Notice of Acceptance number and expiration date by the Miami-Dade County Product Control Section.

MISSILE IMPACT RATING: Large and Small Missile Impact Resistant

LABELING: Each unit shall bear a permanent label with the manufacturer's name or logo, city, state, model/series, and following statement: "Miami-Dade County Product Control Approved", unless otherwise noted herein.

RENEWAL of this NOA shall be considered after a renewal application has been filed and there has been no change in the applicable building code negatively affecting the performance of this product.

TERMINATION of this NOA will occur after the expiration date or if there has been a revision or change in the materials, use, and/or manufacture of the product or process. Misuse of this NOA as an endorsement of any product, for sales, advertising or any other purposes shall automatically terminate this NOA. Failure to comply with any section of this NOA shall be cause for termination and removal of NOA.

ADVERTISEMENT: The NOA number preceded by the words Miami-Dade County, Florida, and followed by the expiration date may be displayed in advertising literature. If any portion of the NOA is displayed, then it shall be done in its entirety.

INSPECTION: A copy of this entire NOA shall be provided to the user by the manufacturer or its distributors and shall be available for inspection at the job site at the request of the Building Official.

This NOA revises NOA# **16-0614.04** and consists of this page 1 and evidence pages E-1 and E-2, as well as approval document mentioned above.

The submitted documentation was reviewed by **Manuel Perez, P.E.**



Handwritten signature and date: MP 11/20/17

NOA No. 17-0731.04
Expiration Date: July 21, 2021
Approval Date: September 07, 2017
Page 1

NOTICE OF ACCEPTANCE: EVIDENCE SUBMITTED

1. EVIDENCE SUBMITTED UNDER PREVIOUS NOA's

A. DRAWINGS

1. Manufacturer's die drawings and sections.
2. Drawing No. **15-287**, titled "Aluminum Commercial, Pass-Thru Window Large Missile Impact Resistant", sheets 1 through 13 of 13, dated 06/01/16, prepared by Tilteco, Inc., signed and sealed by Walter A. Tillit, Jr., P.E.

B. TESTS

1. Test reports on:
 - 1) Air Infiltration Test, Loading per FBC TAS 202-94
 - 2) Uniform Static Air Pressure Test, Loading per FBC, TAS 202-94
 - 3) Water Resistance Test, per FBC, TAS 202-94
 - 4) Large Missile Impact Test per FBC, TAS 201-94
 - 5) Cyclic Wind Pressure Loading per FBC, TAS 203-94
 - 6) Forced Entry Test, per FBC 2411.3.2.1, and TAS 202-94

along with marked-up drawings and installation diagram of a series "PCJ-130-IP" and a series "QSP-713S-Mini-IP" aluminum commercial pass-through window, prepared by Fenestration Testing Laboratory, Inc., Test Report No. **FTL-8872**, dated 04/16/16, signed and sealed by Idalmis Ortega, P.E.

C. CALCULATIONS

1. Anchor verification calculations and structural analysis, complying with **FBC 5th Edition (2014)**, dated 05/04/16, prepared by Tilteco, Inc., signed and sealed by Walter A. Tillit Jr., P.E.

D. QUALITY ASSURANCE

1. Miami-Dade Department of Regulatory and Economic Resources (RER).

E. MATERIAL CERTIFICATIONS


1. Notice of Acceptance No. **14-0916.10** issued to **Kuraray America, Inc.** for their "**Butacite® PVB Glass Interlayer**" dated 04/25/15, expiring on 12/11/16.
2. Glazing complies with **ASTM E1300-04/ 09**

F. STATEMENTS

1. Statement letter of conformance, complying with **FBC 5th Edition (2014)**, dated May 24, 2016, issued by Tilteco, Inc., signed and sealed by Walter A. Tillit, Jr., P.E.
2. Statement letter of no financial interest, dated May 24, 2016, issued by Tilteco, Inc., signed and sealed by Walter A. Tillit, Jr., P.E.
3. Proposal No. **15-2286** issued by the Product Control Section, dated January 8, 2016, signed by Manuel Perez, P.E.

G. OTHER

1. None.



Manuel Perez, P.E.
Product Control Examiner
NOA No. 17-0731.04

Expiration Date: July 21, 2021
Approval Date: September 07, 2017

NOTICE OF ACCEPTANCE: EVIDENCE SUBMITTED

2. NEW EVIDENCE SUBMITTED

A. DRAWINGS

1. Drawing No. **17-081**, titled "Aluminum Commercial Pass-Thru Window – Large Missile Impact Resistant", sheets 1 thru 13 of 13, dated 07/17/17, with revision # 2 dated 11/02/17, prepared by Tilteco, Inc., signed and sealed by Walter A. Tillit, Jr., P.E.

B. TESTS

1. None

C. CALCULATIONS

1. None

D. QUALITY ASSURANCE

1. Miami-Dade Department of Regulatory and Economic Resources (RER)

E. MATERIAL CERTIFICATIONS

1. Notice of Acceptance No. **16-1117.01** issued to **Kuraray America, Inc.** for their "**Trosifol® Ultraclear, Clear and Color PVB Glass Interlayers**" dated 01/19/17, expiring on 07/08/19.

F. STATEMENTS

1. Statement letter of conformance, complying with **FBC 5th Edition (2014)** and **FBC 6th Edition (2017)**, dated July 17, 2017, issued by Tilteco, Inc., signed and sealed by Walter A. Tillit, Jr., P.E.

G. OTHERS

1. Notice of Acceptance No. **16-0614.04**, issued to QuikServ Corp. for their Series "**PCJ-130-IP and QSP-713S-Mini-IP**" Aluminum Pass-Through Window – L.M.I.", approved on 07/21/16 and expiring on 07/21/21.


Manuel Perez, P.E.
Product Control Examiner

NOA No. **17-0731.04**

Expiration Date: July 21, 2021

Approval Date: September 07, 2017

GENERAL NOTES:

1. COMMERCIAL PASS-THRU WINDOWS, LARGE MISSILE IMPACT RESISTANT, SHOWN ON THIS PRODUCT APPROVAL DOCUMENT (P.A.D.) HAVE BEEN VERIFIED FOR COMPLIANCE IN ACCORDANCE WITH THE 2017 (6th EDITION) OF THE FLORIDA BUILDING CODE. COMMERCIAL PASS-THRU WINDOWS, LARGE MISSILE IMPACT RESISTANT, MAY BE INSTALLED AT HIGH VELOCITY HURRICANE ZONES.

DESIGN WIND LOADS SHALL BE DETERMINED AS PER SECTION 1620 OF THE ABOVE MENTIONED CODE, USING ASCE 7-10 FOR INSTALLATIONS UNDER 2017 (6th EDITION) OF THE FLORIDA BUILDING CODE AND SHALL NOT EXCEED THE MAXIMUM (A.S.D.) DESIGN PRESSURE RATINGS INDICATED ON NOTE 2. IN ORDER TO VERIFY THE ABOVE CONDITION, ULTIMATE DESIGN WIND LOADS DETERMINED PER ASCE 7-10 SHALL BE FIRST REDUCED TO A.S.D. DESIGN WIND LOADS BY MULTIPLYING THEM BY 0.6 IN ORDER TO COMPARE THESE W/ MAX. (A.S.D.) DESIGN PRESSURE RATINGS INDICATED ON NOTE 2.

IN ORDER TO VERIFY THAT ANCHORS ON THIS P.A.D., AS TESTED, WERE NOT OVERSTRESSED, A 33% INCREASE IN ALLOWABLE STRESS FOR WIND LOADS WAS NOT USED IN THEIR ANALYSIS. FASTENERS SPACING TO WOOD HAS BEEN DETERMINED IN ACCORDANCE WITH N.D.S. 2015. THESE COMMERCIAL PASS-THRU WINDOWS' ADEQUACY FOR IMPACT AND FATIGUE RESISTANCE HAS BEEN VERIFIED IN ACCORDANCE WITH SECTION 1626 OF THE ABOVE MENTIONED CODE AS PER PROTOCOLS TAS-201, TAS-202, TAS-203 PROTOCOLS, PER FENESTRATION TESTING LABORATORY INC. REPORT # 8872 AND AS PER SUBMITTED STRUCTURAL CALCULATIONS, PERFORMED AS PER SECTION 1616 OF THE FLORIDA BUILDING CODE.

2. MAX. A.S.D. DESIGN PRESSURE RATING FOR THESE COMMERCIAL PASS-THRU WINDOWS IS:
+ 70, - 80 P.S.F.

3. THESE COMMERCIAL PASS-THRU WINDOWS WILL NOT REQUIRE A HURRICANE PROTECTION DEVICE ON INSTALLATIONS UP TO 30 FEET ABOVE GRADE.

4. THESE COMMERCIAL PASS-THRU WINDOWS ARE APPROVED FOR AIR AND WATER INFILTRATION.

5. ALL COMPONENTS SHALL BE AS INDICATED ON BILL OF MATERIALS ON SHEET 13 AND COMPONENTS DESCRIPTION ON SHEET 12.

6. WOOD BUCKS BY OTHERS, MUST BE ANCHORED PROPERLY TO TRANSFER LOADS TO THE BUILDING STRUCTURE. WOOD BUCKS MUST BE SOUTHERN PINE, G = 0.55.

7. ALL ALUMINUM IN CONTACT WITH DISSIMILAR MATERIALS SHALL COMPLY WITH SECTION III-6 OF THE 2015 ALUMINUM DESIGN MANUAL.

8. ANCHOR NOTES: EMBEDMENT AND EDGE DISTANCE ARE BEYOND ANY FINISH.
(A) TO EXISTING POURED CONCRETE: (MIN. f'c = 3000 PSI), MIN. EDGE DISTANCE (E.D.) = 3".
- 1/4"Ø TAPCON ANCHORS W/ 1" MIN. EMBEDMENT, AS MANUFACTURED BY ITW/BUILDEX, INC., THRU 1" P.T. WOOD BUCK (IF APPLICABLE).

(B) TO EXISTING A.S.T.M. C-90 CONCRETE BLOCK WALL. MIN. EDGE DISTANCE (E.D.) = 2".
- 1/4"Ø TAPCON ANCHORS W/ 1" MIN. EMBEDMENT, AS MANUFACTURED BY ITW/BUILDEX, INC., THRU 1" P.T. WOOD BUCK (IF APPLICABLE).

(C) TO EXISTING DOUBLE 2x P.T. WOOD BUCK. MIN. EDGE DISTANCE (E.D.) = 1".
- 1/4"Ø WOOD SCREWS W/ 3" MIN. THREADED PENETRATION, TO COMPLY W/ N.D.S. 2015.

(D) TO EXISTING MIN. 1/8" THICK ALUMINUM TUBE (6063-T5 ALLOY) MIN. EDGE DISTANCE (E.D.) = 1/2".
- 1/4"Ø TEK SCREWS, AS MANUFACTURED BY ITW/BUILDEX, INC.

(E) TO EXISTING MIN. 18 GAGE STEEL MEMBER (ASTM A-500, A-653 OR A-36) MIN. EDGE DISTANCE (E.D.) = 1/2".
- 1/4"Ø TEK SCREWS, AS MANUFACTURED BY ITW/BUILDEX, INC.

9. PROVIDE 1/4" MAX. LOAD BEARING SHIM, WHEN ALLOWED BY THIS DRAWING.

10. PRODUCT MANUFACTURER'S LABEL SHALL BE LOCATED ON A READILY VISIBLE LOCATION AT PRODUCT IN ACCORDANCE WITH SECTION 1709.5 OF THE FLORIDA BUILDING CODE. ONE LABEL SHALL BE PLACED FOR EVERY OPENING.

11. (a) THIS P.A.D. PREPARED BY THIS ENGINEER IS GENERIC AND DOES NOT PROVIDE INFORMATION FOR A SITE SPECIFIC PROJECT; i.e. WHERE THE SITE CONDITIONS DEVIATE FROM THE P.A.D.

(b) CONTRACTOR TO BE RESPONSIBLE FOR THE SELECTION, PURCHASE AND INSTALLATION INCLUDING LIFE SAFETY OF THIS PRODUCT, BASED ON THIS P.A.D., PROVIDED HE/SHE DOES NOT DEVIATE FROM THE CONDITIONS DETAILED ON THIS DOCUMENT. CONSTRUCTION SAFETY AT SITE IS THE CONTRACTOR'S RESPONSIBILITY.

(c) THIS P.A.D. WILL BE CONSIDERED INVALID IF ALTERED BY ANY MEANS.

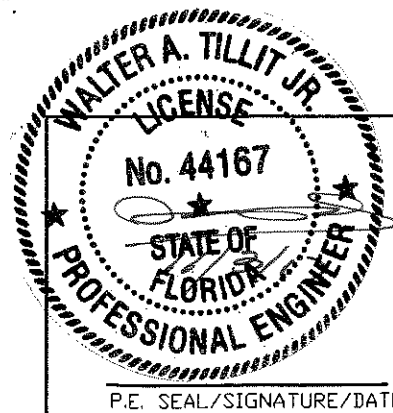
(d) SITE SPECIFIC PROJECTS SHALL BE PREPARED BY A FLORIDA REGISTERED ENGINEER OR ARCHITECT WHICH WILL BECOME THE ENGINEER OF RECORD (E.O.R.) FOR THE PROJECT AND WHO WILL BE RESPONSIBLE FOR THE PROPER USE OF THE P.A.D. ENGINEER OF RECORD, ACTING AS DELEGATED ENGINEER TO THE P.A.D. ENGINEER, SHALL SUBMIT TO THIS LATTER THE SITE SPECIFIC DRAWINGS FOR REVIEW.

(e) ORIGINAL P.A.D. SHALL BEAR THE DATE AND ORIGINAL SEAL AND SIGNATURE OF THE PROFESSIONAL ENGINEER OF RECORD THAT PREPARED IT.

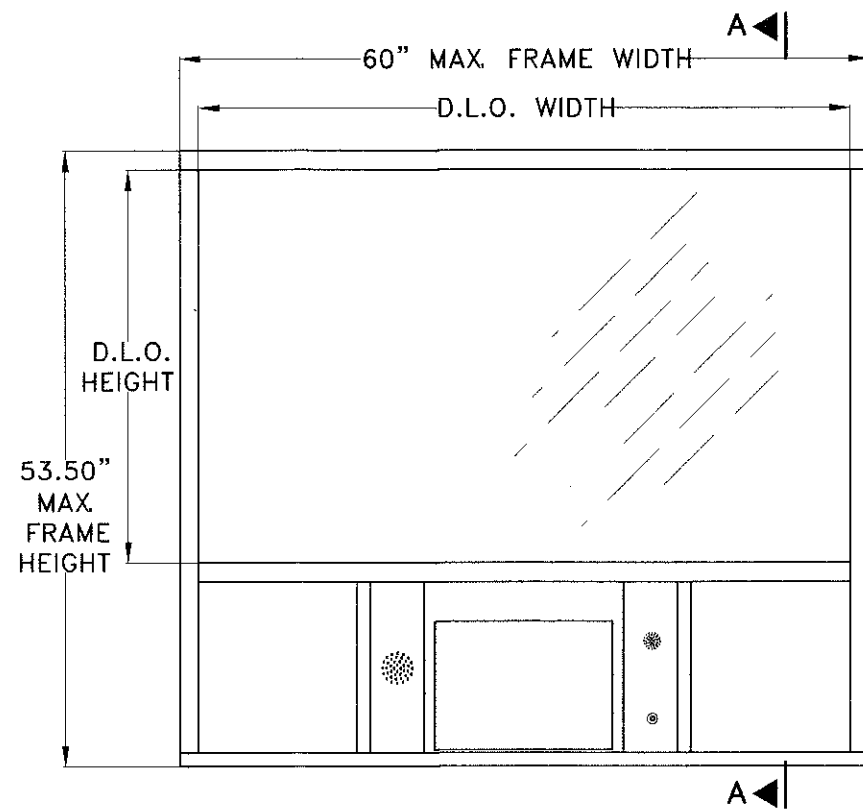
TABLE OF CONTENTS	
PAGE #	DESCRIPTION
1	GENERAL NOTES
2	IMPACT WINDOWS TYPE 1 & 2
3	SECTION DETAILS TYPE 1
4	CONNECTION DETAILS TYPE 1
5	PANEL INSTALLATION TYPE 1
6	CONNECTION DETAILS TYPE 2
7	SECTION DETAILS TYPE 2
8	GLAZING & SASH DETAILS
9	DRAWER DETAIL
10	ANCHOR INSTALLATION
11	ANCHOR SCHEDULE
12	PARTS OR ASSEMBLY COMPONETS
13	BILL OF MATERIALS

THIS DRAWING SHALL ONLY BE USED TO OBTAIN PERMITS IN THE STATE OF FLORIDA

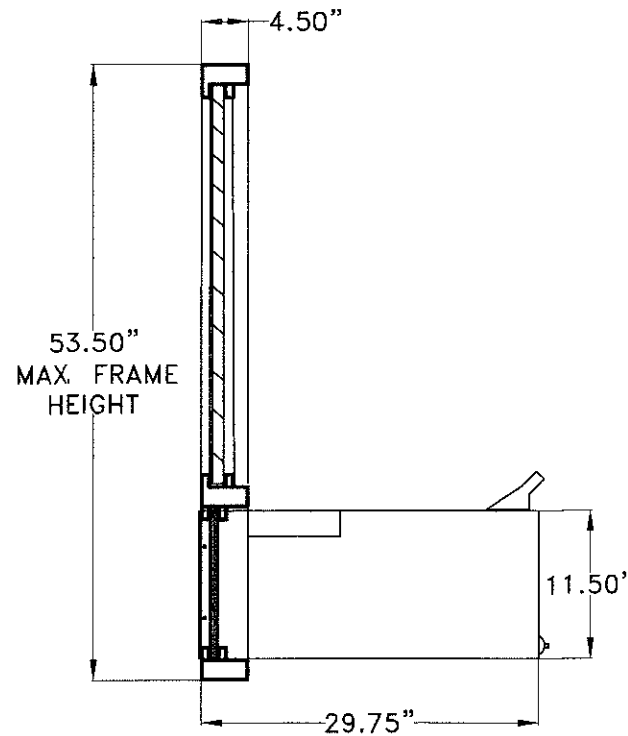
PRODUCT REVISED as complying with the Florida Building Code
Acceptance No. 17-0731-04
Expiration Date July 21, 2021
By *Manuel Perez*
Miami Dade Product Control



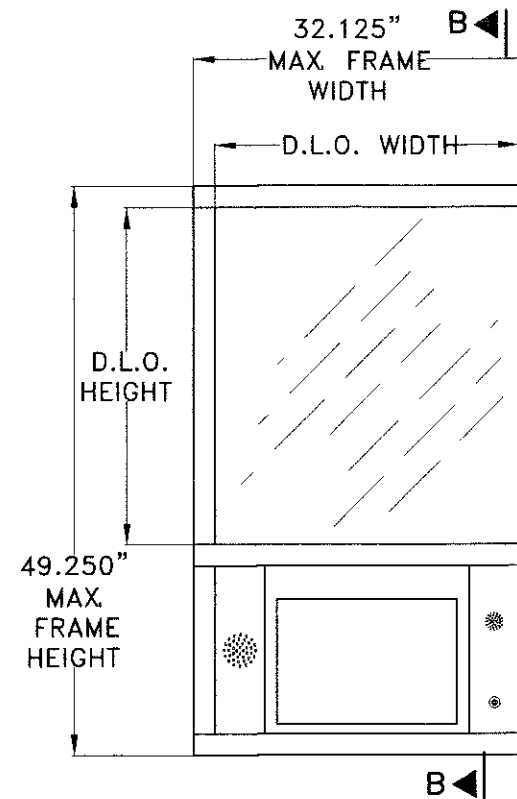
FLORIDA BUILDING CODE (HIGH VELOCITY HURRICANE ZONE)					
©2017 TILTECO, INC.			M.L. DRAWN BY:		
 TILLIT TESTING & ENGINEERING COMPANY 6355 N.W. 36th St., Ste. 305, VIRGINIA GARDENS, FL 33166 Phone: (305)871-1530 . Fax: (305)871-1531 EB-0006719 WALTER A. TILLIT Jr. P.E. FLORIDA Lic. # 44167			ALUMINUM COMMERCIAL PASS THRU WINDOW LARGE MISSILE IMPACT RESISTANT		
			QUIKSERV CORP. 11441 BRITTMOORE PARK Dr. HOUSTON, TX. 77041		
			07/17/17 DATE:		
			17-081 DRAWING No.		
			SHEET 1 OF 13		
REV. NO	DESCRIPTION	DATE	REV. No	DESCRIPTION	DATE
1	OLD 15-287	07/17/17	3		
2	G.N. 7	11/02/17	4		



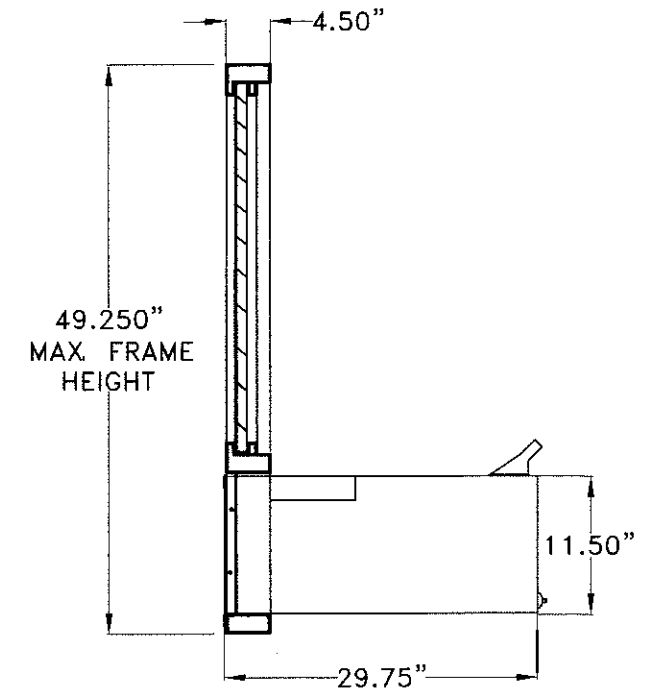
TYPICAL EXTERIOR ELEVATION
PCJ-130-IP- WINDOW TYPE 1
 SCALE 3/4"=1"



SECTION A-A



TYPICAL EXTERIOR ELEVATION
QSP-713S-MINI-IP- WINDOW TYPE 2
 SCALE 3/4"=1"

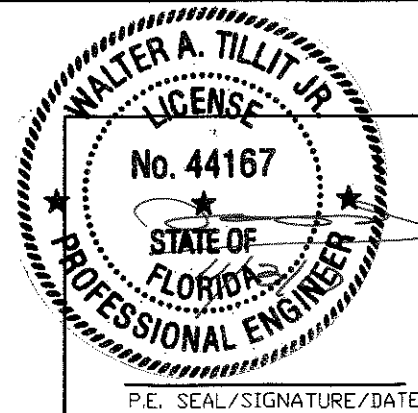


SECTION B-B

WINDOW TYPE	MODEL	ACTUAL FRAME DIMENSION	MAX D.L.O. DIMENSIONS	GLAZING TYPE
1	PCJ-130-IP	60"(W) X 53-1/2"(H)	(O) 55"(W) X 35 1/8"(H)	SEE PAGE 8
2	QSP-713S-MINI-IP	32 1/8"(W) X 49 1/4"(H)	(O) 27 1/4"(W) X 30 3/4"(H)	

PRODUCT REVISED
 as complying with the Florida
 Building Code
 Acceptance No. 17-0731-04
 Expiration Date July 21, 2021
 By *Manuel Perez*
 Miami Dade Product Control

**COMMERCIAL WINDOW AND
 DRAWER IMPACT UNITS**



FLORIDA BUILDING CODE (HIGH VELOCITY HURRICANE ZONE)

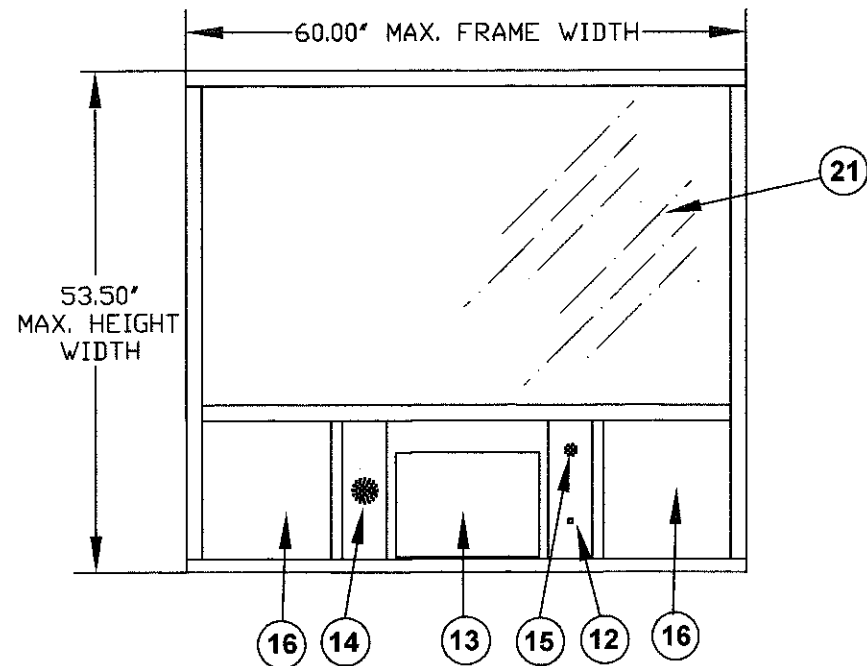
©2017 TILTECO, INC.
TILTECO inc.
 TILLIT TESTING & ENGINEERING COMPANY
 6355 N.W. 36th. St., Ste. 305, VIRGINIA GARDENS, FL 33166
 Phone : (305)871-1530 . Fax : (305)871-1531
 EB-0006719
 WALTER A. TILLIT Jr. P.E.
 FLORIDA Lic. # 44167

**ALUMINUM COMMERCIAL PASS THRU
 WINDOW LARGE MISSILE IMPACT RESISTANT**

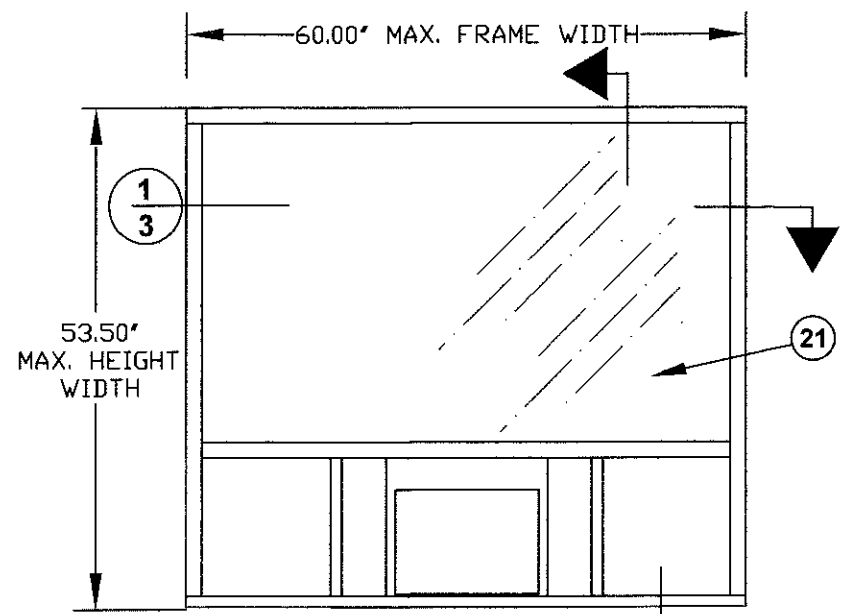
QUIKSERV CORP.
 11441 BRITTMOORE PARK Dr.
 HOUSTON, TX. 77041

M.L.
 DRAWN BY:
 07/17/17
 DATE:
 17-081
 DRAWING No.

REV. NO	DESCRIPTION	DATE	REV. No	DESCRIPTION	DATE
1	QLD 15-287	07/17/17	3		
2			4		

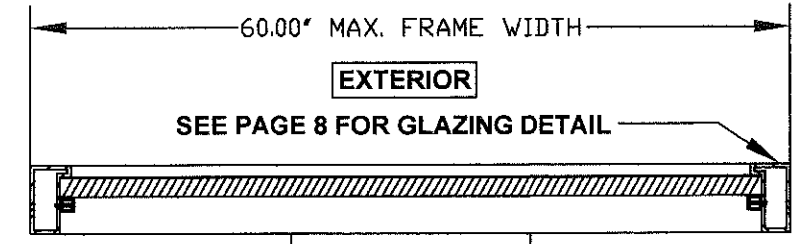
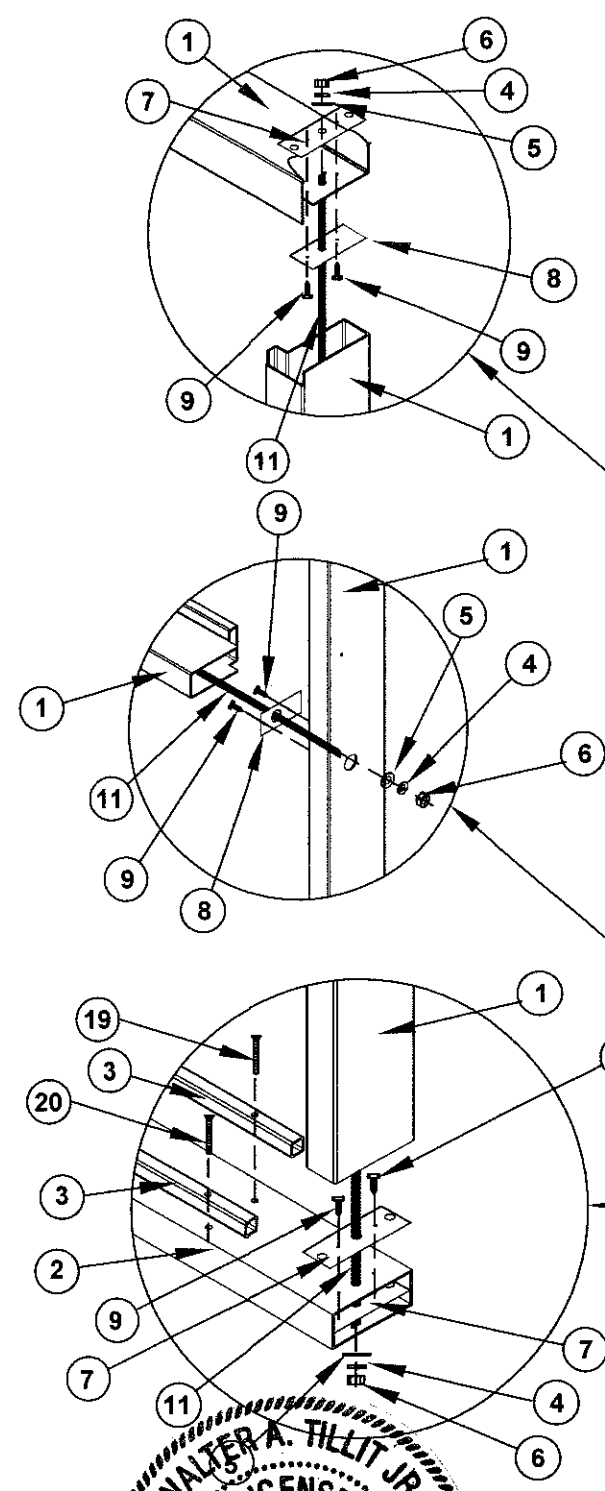


**PCJ-130-IP- WINDOW TYPE 1
EXTERIOR ELEVATION**

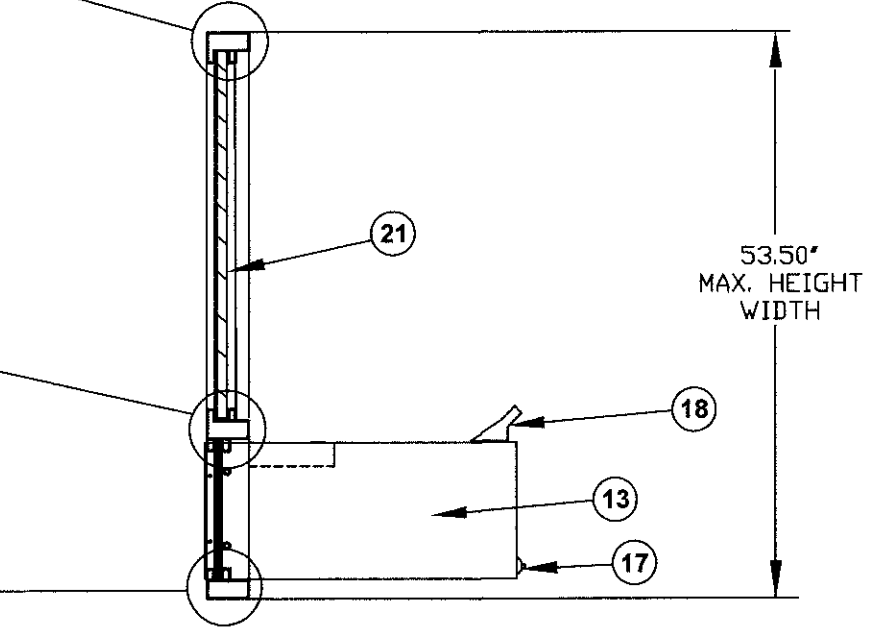


**PCJ-130-IP- WINDOW TYPE 1
INTERIOR ELEVATION**

REQ'D. SEALANT
ALL FRAME JOINTS AND CONNECTIONS
SEALED WITH DOW CORNING 995 SILICONE (10)

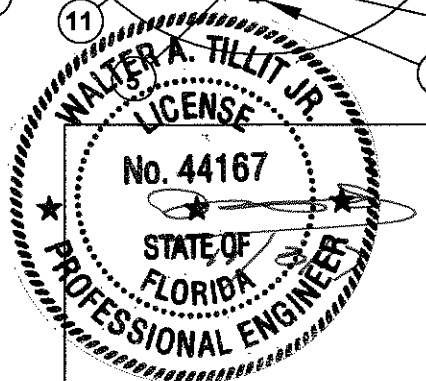


**1
3 HORIZONTAL SECTION**



**2
3 VERTICAL SECTION**

PRODUCT REVISED
as complying with the Florida
Building Code
Acceptance No. 17-0731.04
Expiration Date July 21, 2021
By *Manuel Suarez*
Miami/Dade Product Control



P.E. SEAL/SIGNATURE/DATE

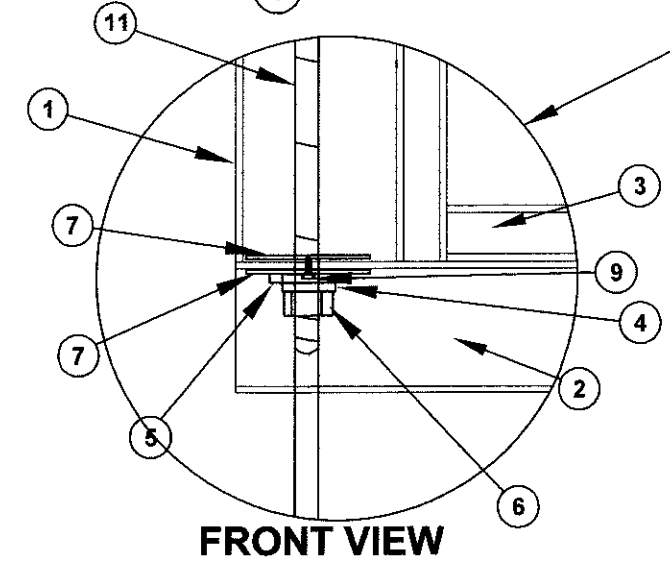
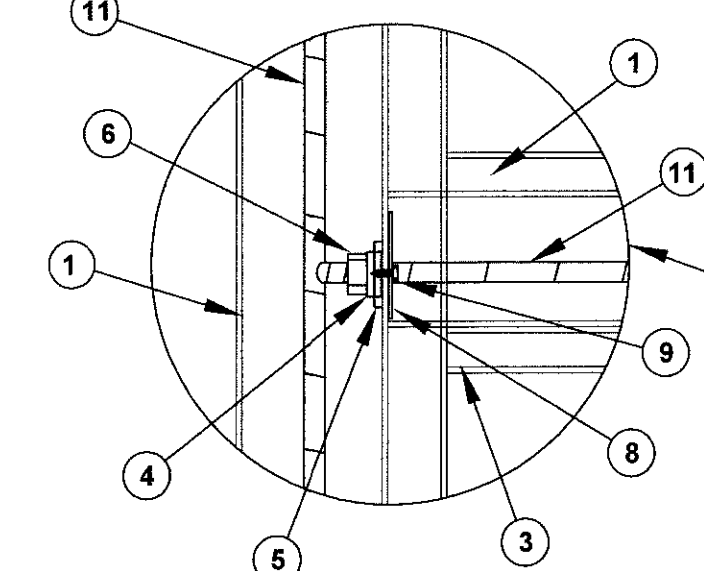
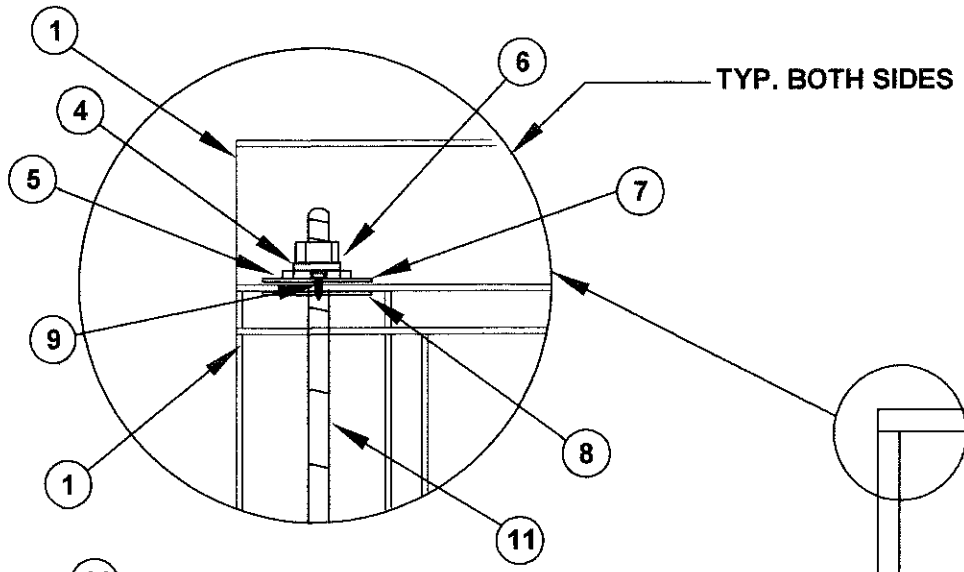
FLORIDA BUILDING CODE (HIGH VELOCITY HURRICANE ZONE)

©2017 TILTECO, INC.
TILTECO INC.
TILLIT TESTING & ENGINEERING COMPANY
6355 N.W. 36th St., Ste. 305, VIRGINIA GARDENS, FL 33166
Phone : (305)871-1530 . Fax : (305)871-1531
EB-0006719
WALTER A. TILLIT Jr. P.E.
FLORIDA Lic. # 44167

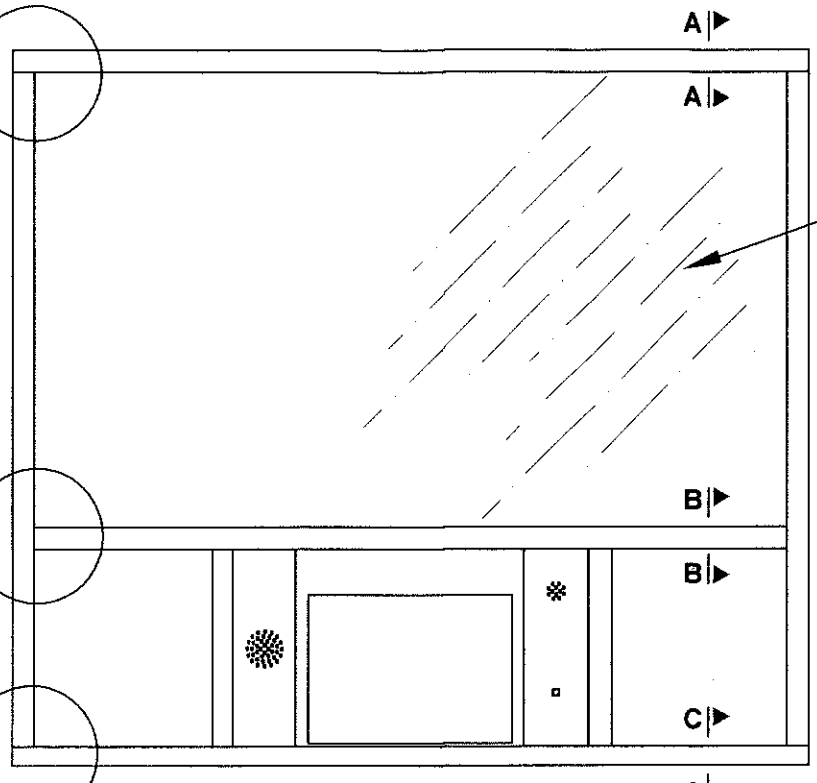
ALUMINUM COMMERCIAL PASS THRU
WINDOW LARGE MISSILE IMPACT RESISTANT
QUIKSERV CORP.
11441 BRITTMOORE PARK DR.
HOUSTON, TX. 77041

M.L.
DRAWN BY:
07/17/17
DATE:
17-081
DRAWING No.
SHEET 3 OF 13

REV. NO	DESCRIPTION	DATE	REV. No	DESCRIPTION	DATE
1	OLD 15-287	07/17/17	3		
2			4		

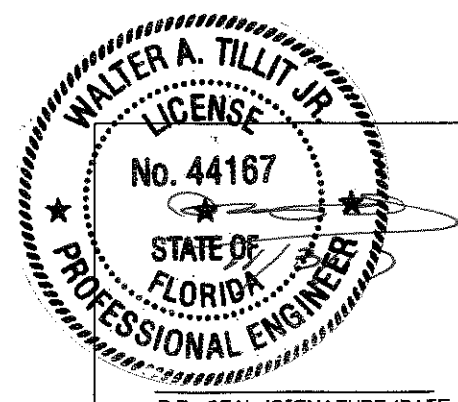


FRONT VIEW



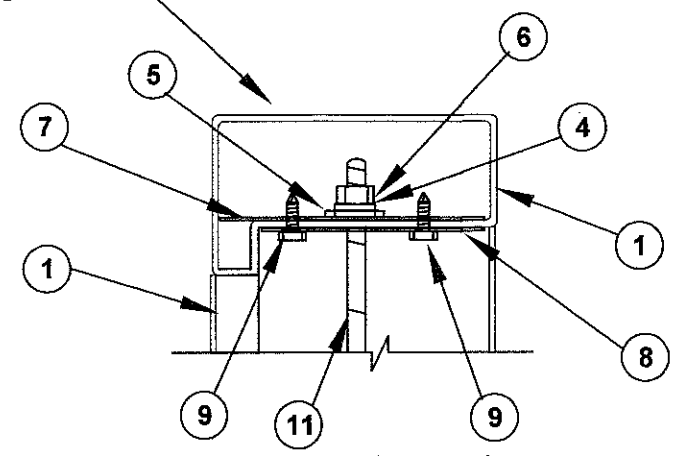
**PCJ-130-IP-WINDOW TYPE 1
EXTERIOR VIEW**

REQ'D. SEALANTS:
ALL FRAME JOINTS AND CONNECTIONS
SEALED WITH DOW CORNING 995 SILICONE (10)

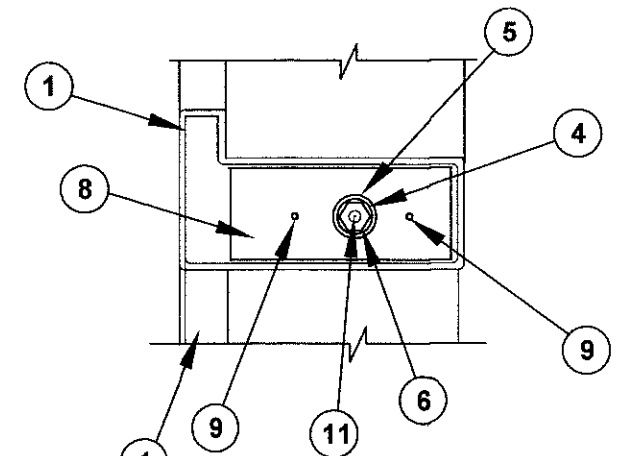


P.E. SEAL/SIGNATURE/DATE

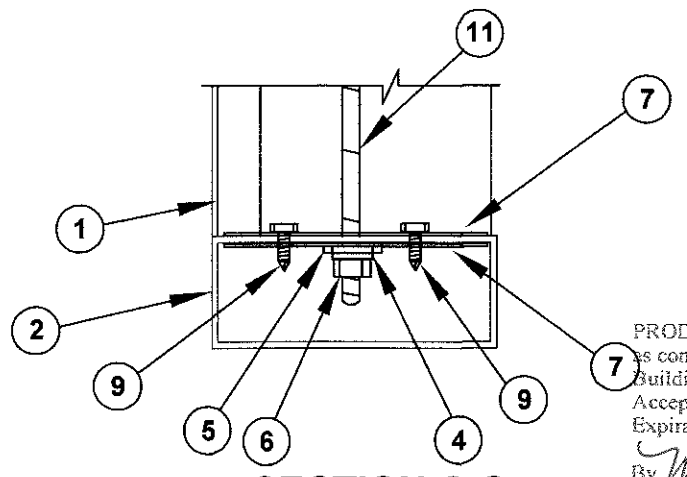
TYP. BOTH SIDES



SECTION A-A



SECTION B-B



SECTION C-C

PRODUCT REVISED
to comply with the Florida
Building Code
Acceptance No. 17-0131.04
Expiration Date July 21, 2021
By *Manuel Perez*
Miami Dade Product Control

FLORIDA BUILDING CODE (HIGH VELOCITY HURRICANE ZONE)

©2017 TILTECO, INC.



TILLIT TESTING & ENGINEERING COMPANY
6355 N.W. 39th. St., Ste. 305, VIRGINIA GARDENS, FL 33166
Phone : (305)871-1530 . Fax : (305)871-1531
EB-0006719
WALTER A. TILLIT Jr. P.E.
FLORIDA Lic. # 44167

ALUMINUM COMMERCIAL PASS THRU
WINDOW LARGE MISSILE IMPACT RESISTANT

QUIKSERV CORP.
11441 BRITTMOORE PARK Dr.
HOUSTON, TX. 77041

M.L.
DRAWN BY:

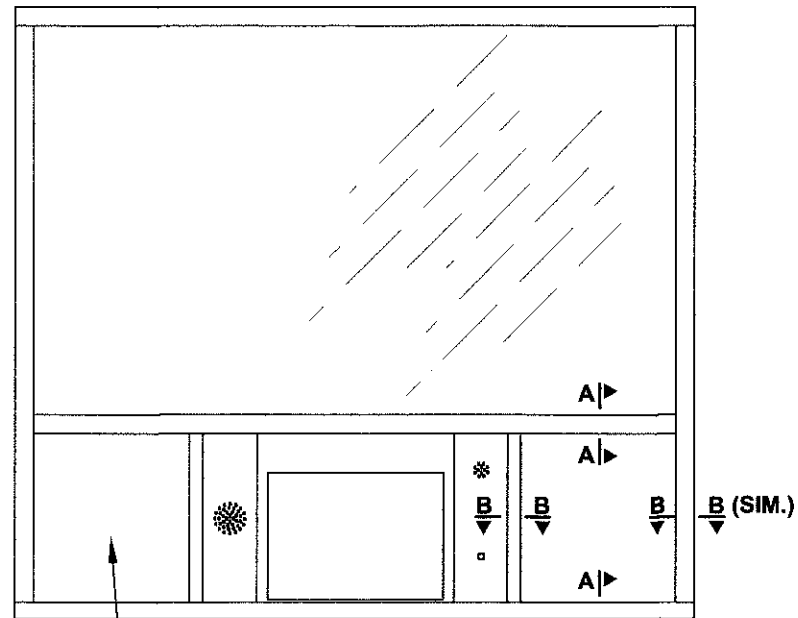
07/17/17
DATE:

17-081
DRAWING No.

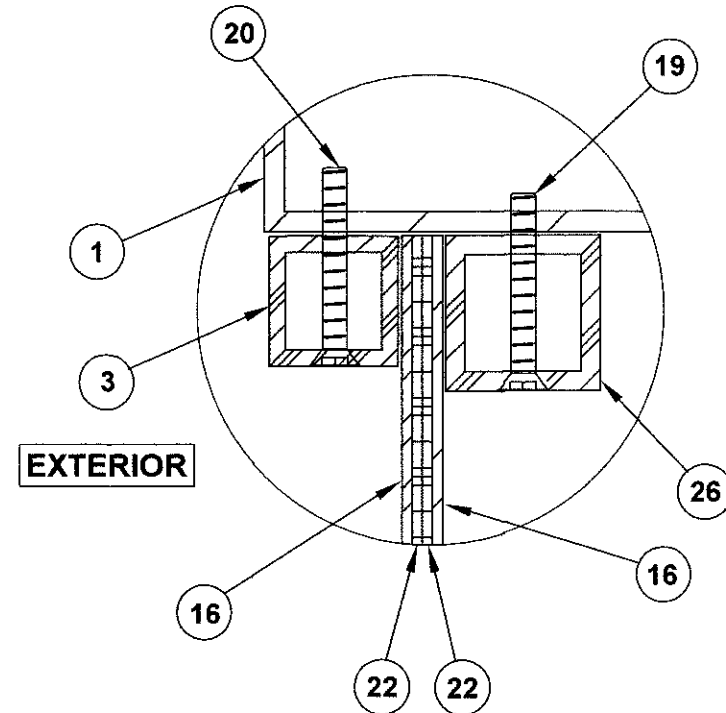
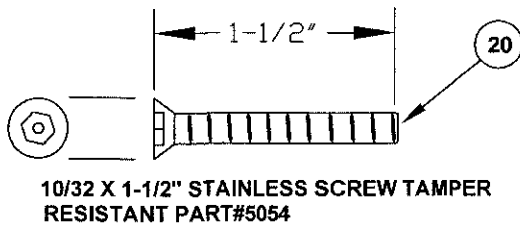
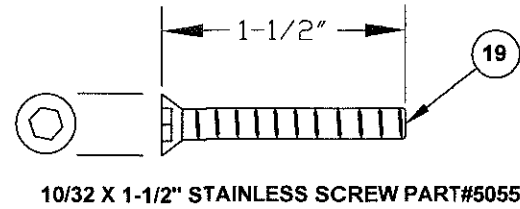
REV. NO	DESCRIPTION	DATE	REV. No	DESCRIPTION	DATE
1	OLD 15-287	07/17/17	3		
2			4		

SHEET 4 OF 13

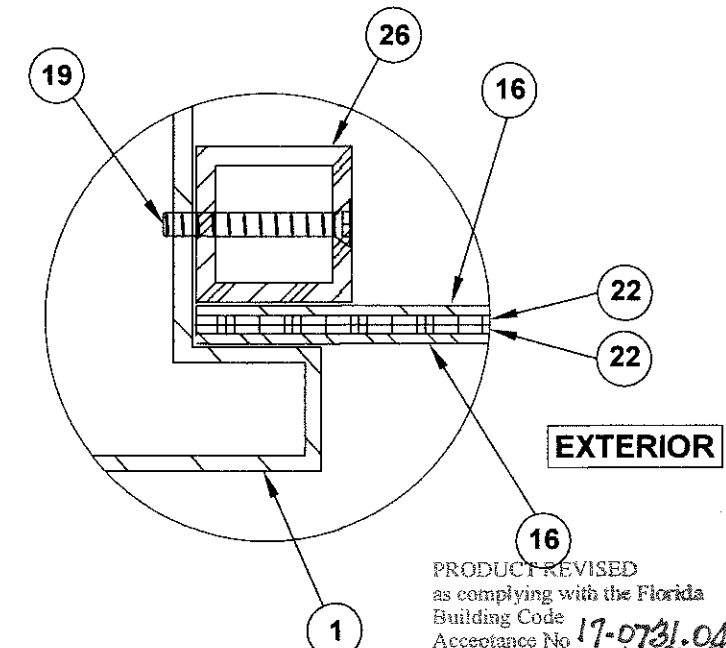
PANEL INSTALLATION TYPE 1



PCJ-130-IP-WINDOW TYPE 1
EXTERIOR VIEW



SECTION A-A

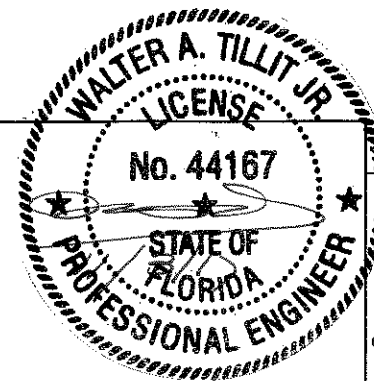


SECTION B-B

PRODUCT REVISED
as complying with the Florida
Building Code
Acceptance No. 17-0731.04
Expiration Date July 21, 2021
By *Manuel Perez*
Miami Dade Product Control

REQ'D. SEALANTS:

ALL FRAME JOINTS AND CONNECTIONS
SEALED WITH DOW CORNING 995 SILICONE (10)



P.E. SEAL/SIGNATURE/DATE

FLORIDA BUILDING CODE (HIGH VELOCITY HURRICANE ZONE)

©2017 TILTECO, INC.

TILTECO INC.
TILLIT TESTING & ENGINEERING COMPANY
6355 N.W. 36th St., Ste. 305, VIRGINIA GARDENS, FL 33166
Phone : (305)871-1530 . Fax : (305)871-1531
EB-0006719
WALTER A. TILLIT Jr. P.E.
FLORIDA Lic. # 44167

**ALUMINUM COMMERCIAL PASS THRU
WINDOW LARGE MISSILE IMPACT RESISTANT**

QUIKSERV CORP.
11441 BRITTMOORE PARK DR.
HOUSTON, TX. 77041

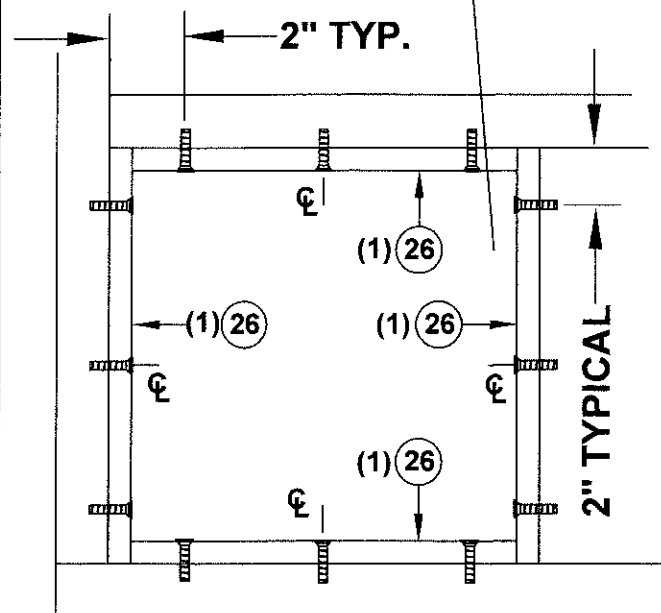
M.L.
DRAWN BY:

07/17/17
DATE:

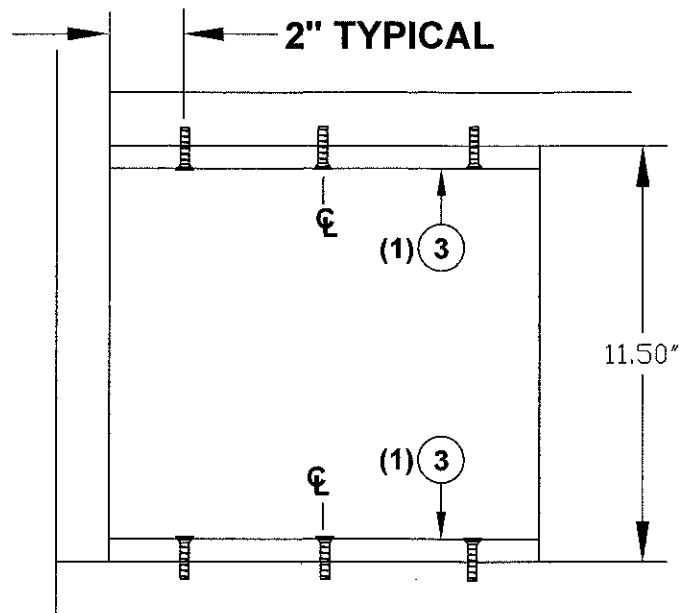
17-081
DRAWING No.

REV. NO	DESCRIPTION	DATE	REV. No	DESCRIPTION	DATE
1	CLD 15-267	07/17/17	3		
2			4		

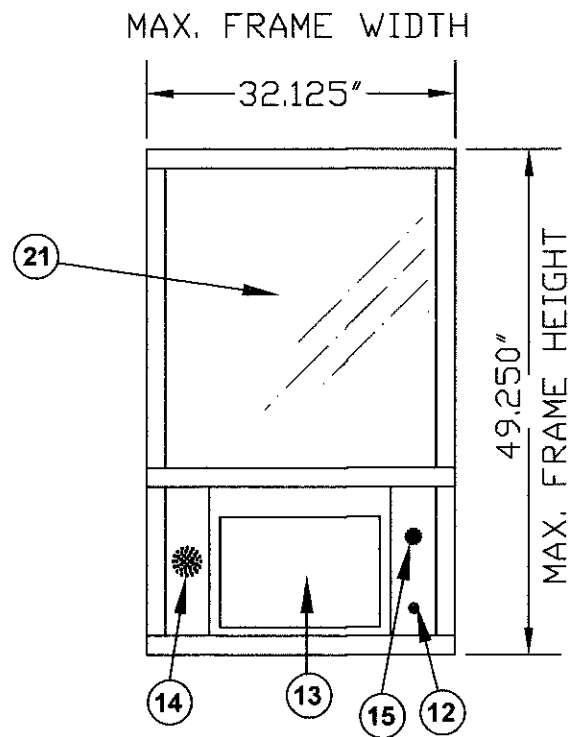
SHEET 5 OF 13



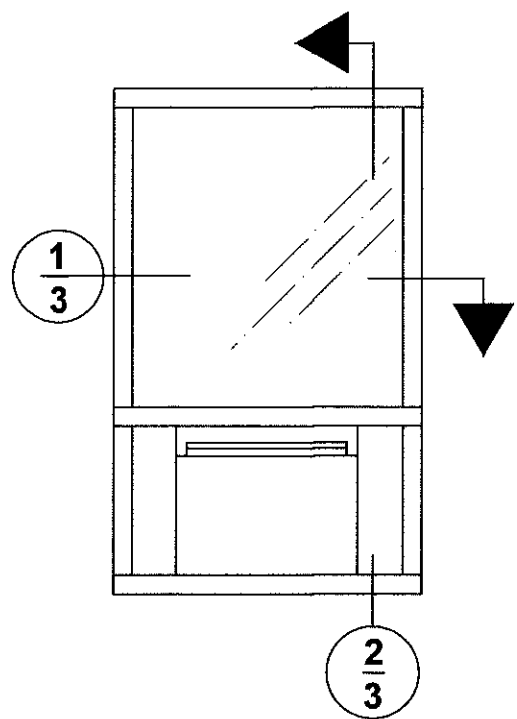
INTERIOR
INSTALLATION



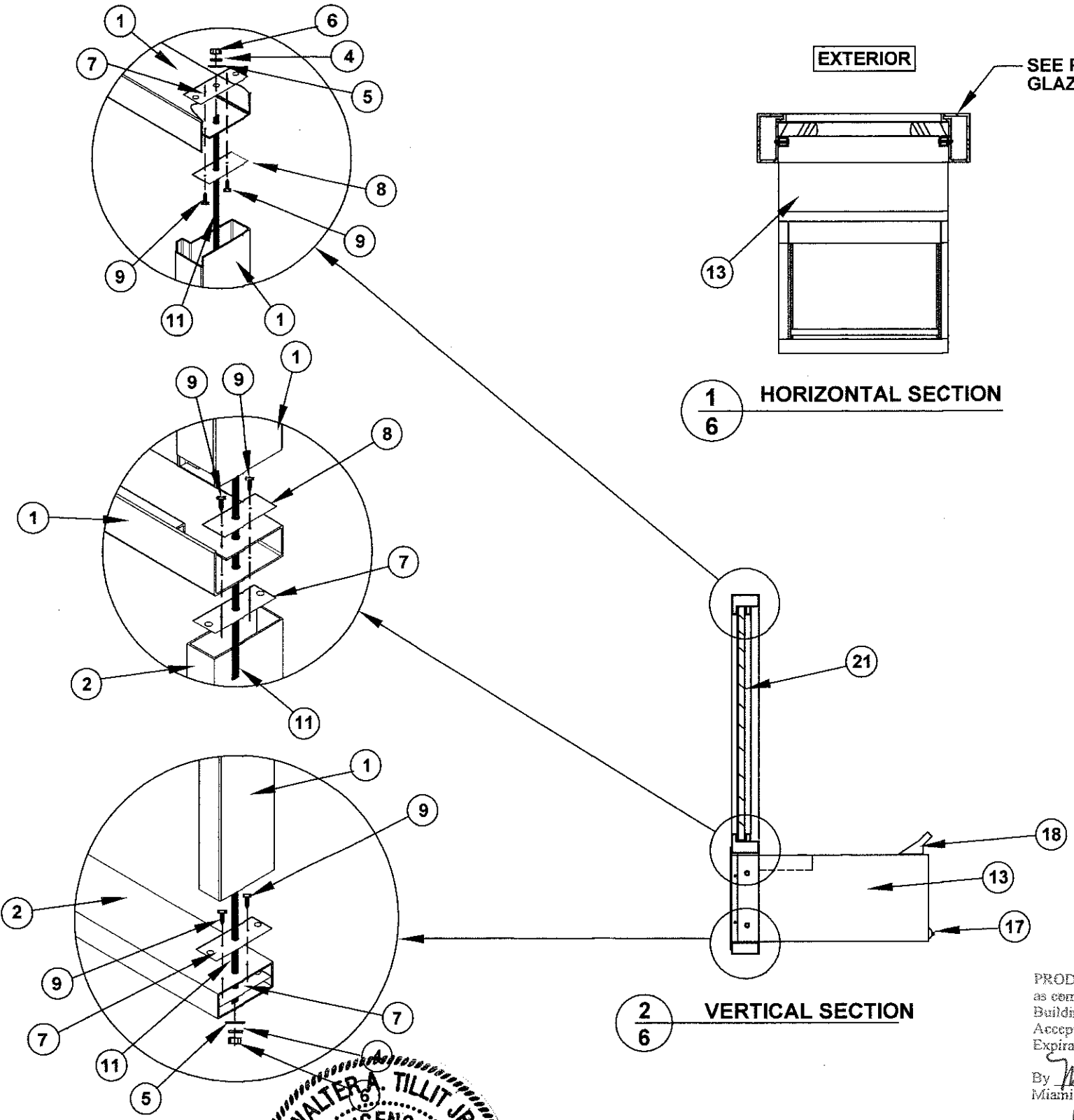
EXTERIOR
INSTALLATION



QSP-713S-MINI-IP-WINDOW TYPE 2
EXTERIOR VIEW



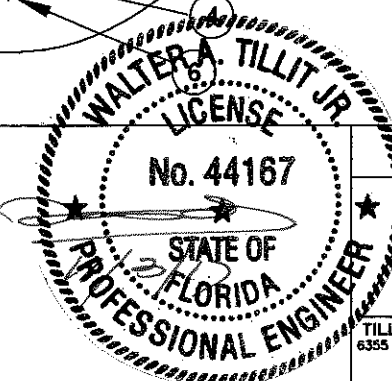
QSP-713S-MINI-IP-WINDOW TYPE 2
INTERIOR VIEW



1
6
HORIZONTAL SECTION

2
6
VERTICAL SECTION

PRODUCT REVISED
as complying with the Florida
Building Code
Acceptance No. 19-0731-04
Expiration Date July 21, 2021
By *Manuel Perez*
Miami Dade Product Control



P.E. SEAL/SIGNATURE/DATE

FLORIDA BUILDING CODE (HIGH VELOCITY HURRICANE ZONE)

©2017 TILTECO, INC.

TILTECO INC.

TILLIT TESTING & ENGINEERING COMPANY
6355 N.W. 36th St., Ste. 305, VIRGINIA GARDENS, FL 33166
Phone : (305)871-1530 . Fax : (305)871-1531
EB-0006719

WALTER A. TILLIT Jr., P.E.
FLORIDA Lic. # 44167

ALUMINUM COMMERCIAL PASS THRU
WINDOW LARGE MISSILE IMPACT RESISTANT

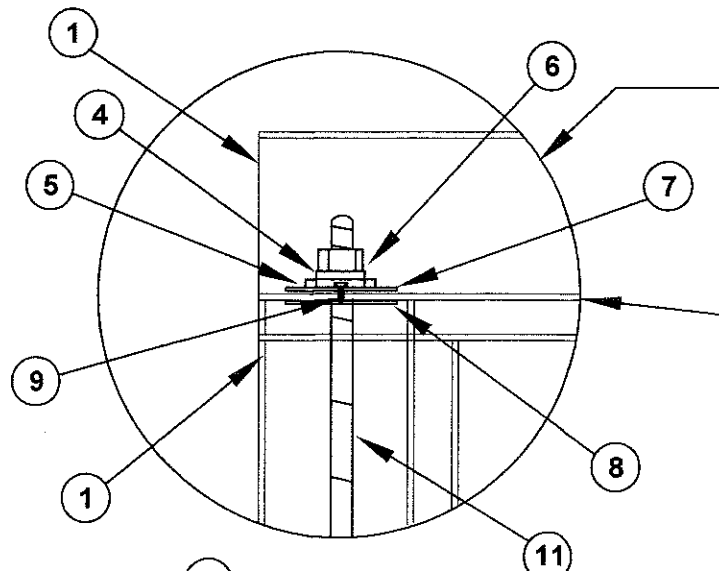
QUIKSERV CORP.
11441 BRITTMORE PARK Dr.
HOUSTON, TX. 77041

M.L.
DRAWN BY:
07/17/17
DATE:

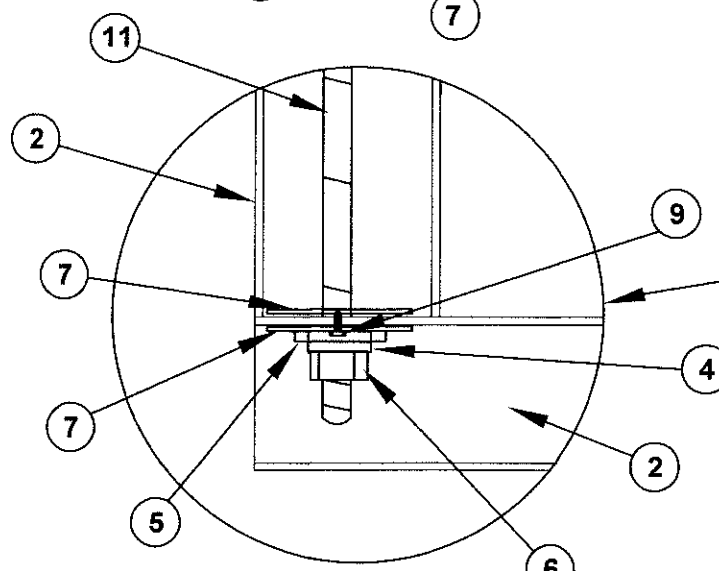
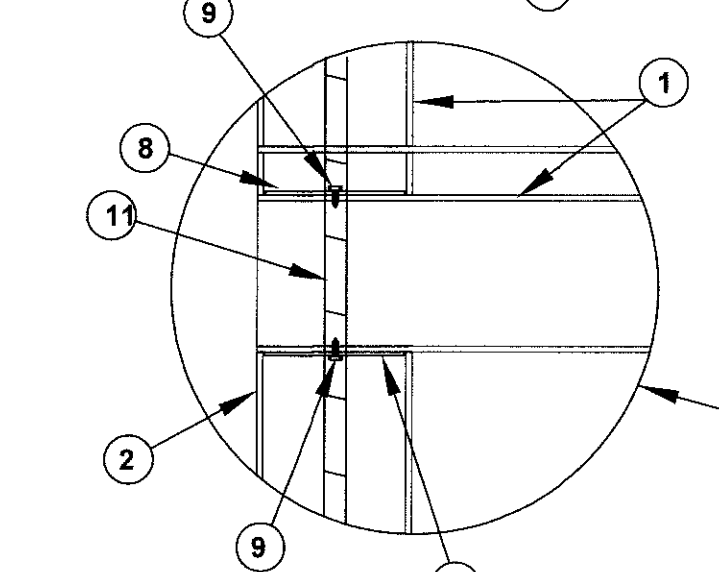
17-081
DRAWING No.

REV. NO	DESCRIPTION	DATE	REV. No	DESCRIPTION	DATE
1	OLD 15-287	07/17/17	5		
2			4		

SHEET 6 OF 13

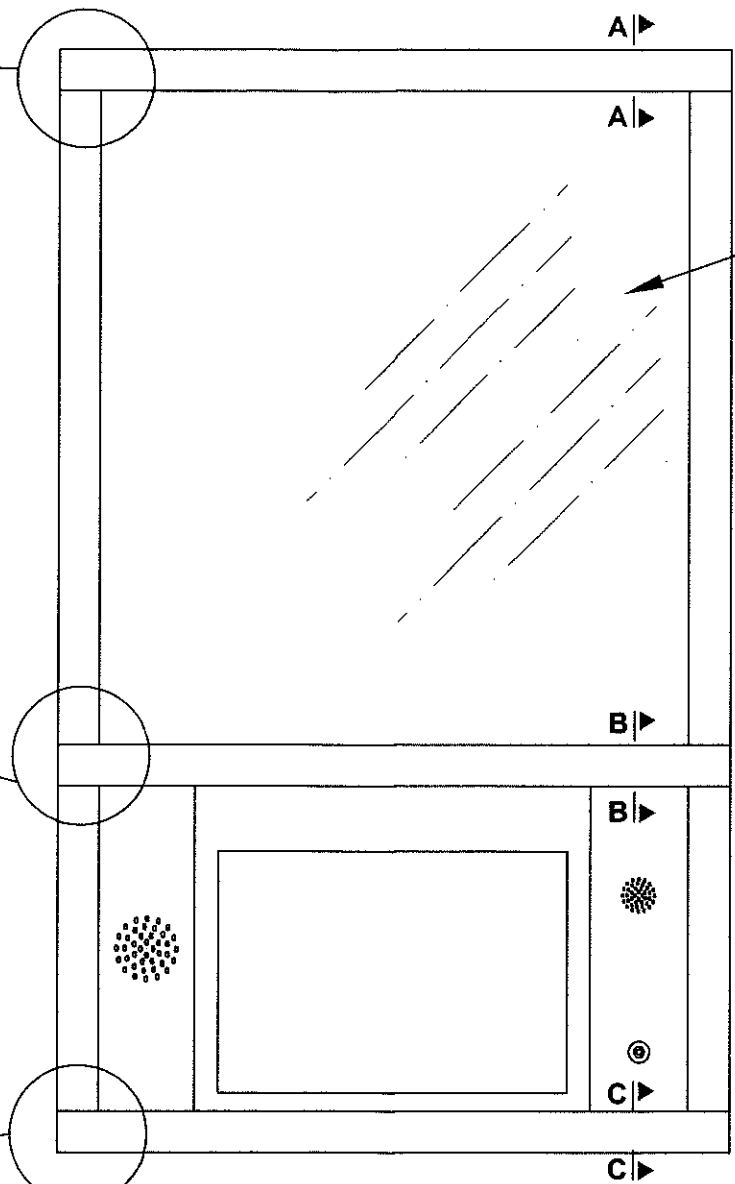


TYP. BOTH SIDES



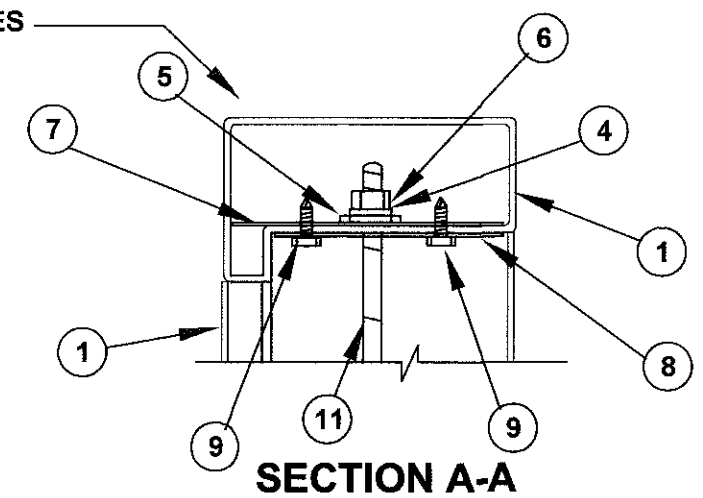
FRONT VIEW

REQ'D. SEALANT:
**ALL FRAME JOINTS AND CONNECTIONS
 SEALED WITH DOW CORNING 995 SILICONE (10)**

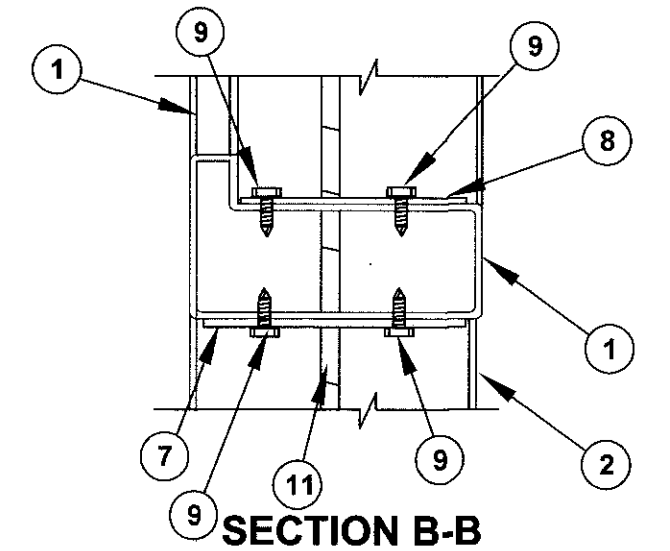


QSP-713S-MINI-IP WINDOW TYPE 2

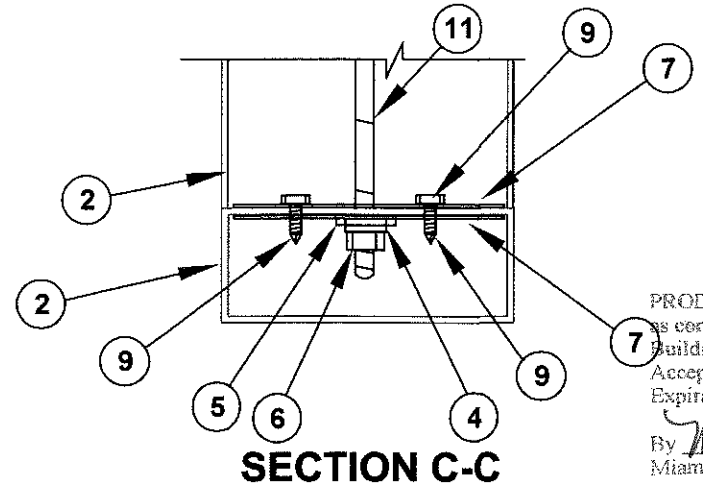
TYP. BOTH SIDES



SECTION A-A

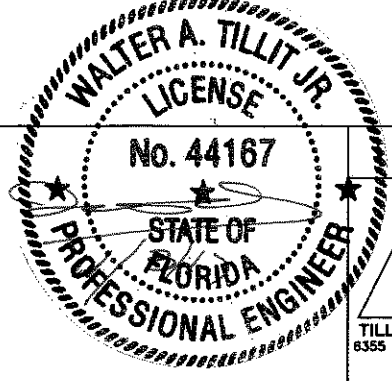


SECTION B-B



SECTION C-C

PRODUCT REVISED
 as complying with the Florida
 Building Code
 Acceptance No. 17-0791.04
 Expiration Date: July 21, 2021
 By *Manuel Perez*
 Miami Dade Product Control



P.E. SEAL/SIGNATURE/DATE

FLORIDA BUILDING CODE (HIGH VELOCITY HURRICANE ZONE)

©2017 TILTECO, INC.

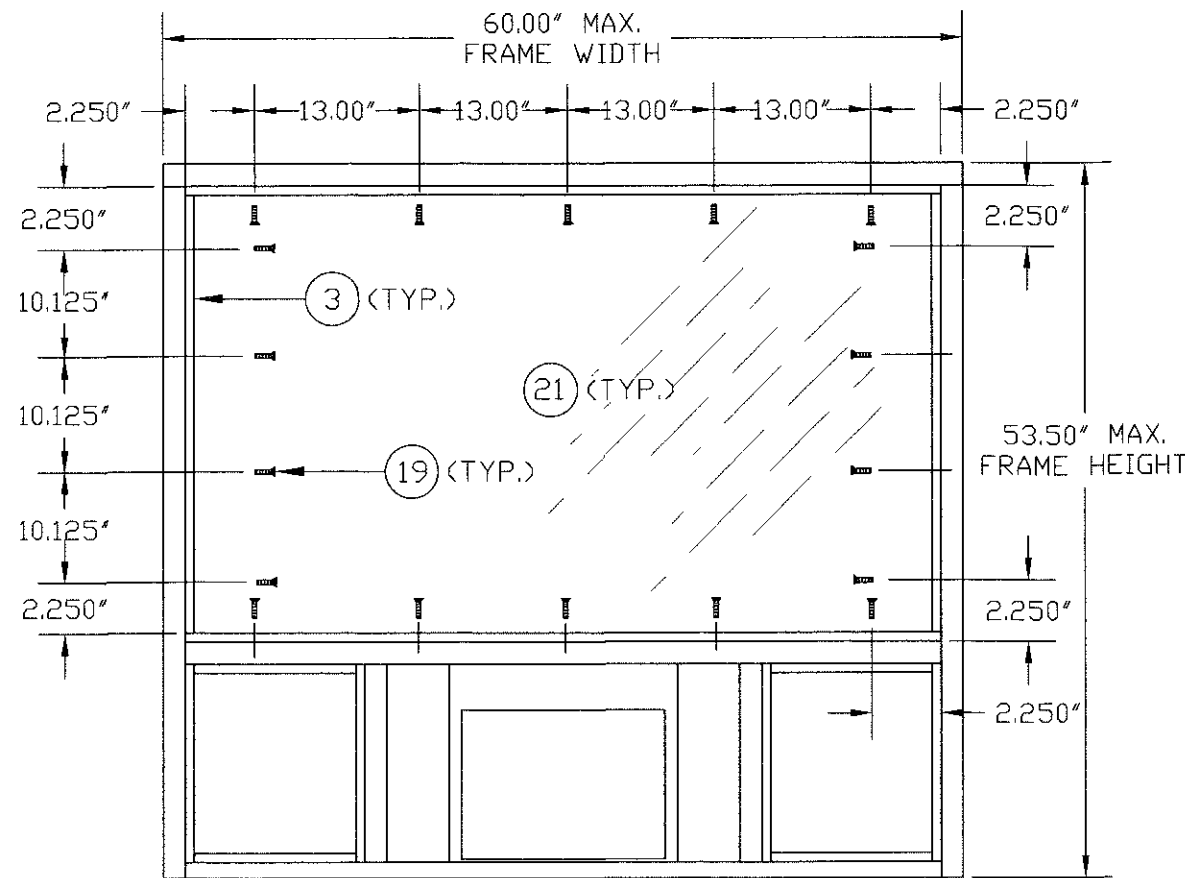
TILTECO INC.
 TILLIT TESTING & ENGINEERING COMPANY
 6355 N.W. 36th St., Ste. 305, VIRGINIA GARDENS, FL 33168
 Phone : (305)871-1530 . Fax : (305)871-1531
 EB-006719
 WALTER A. TILLIT Jr. P.E.
 FLORIDA Lic. # 44167

ALUMINUM COMMERCIAL PASS THRU
 WINDOW LARGE MISSILE IMPACT RESISTANT

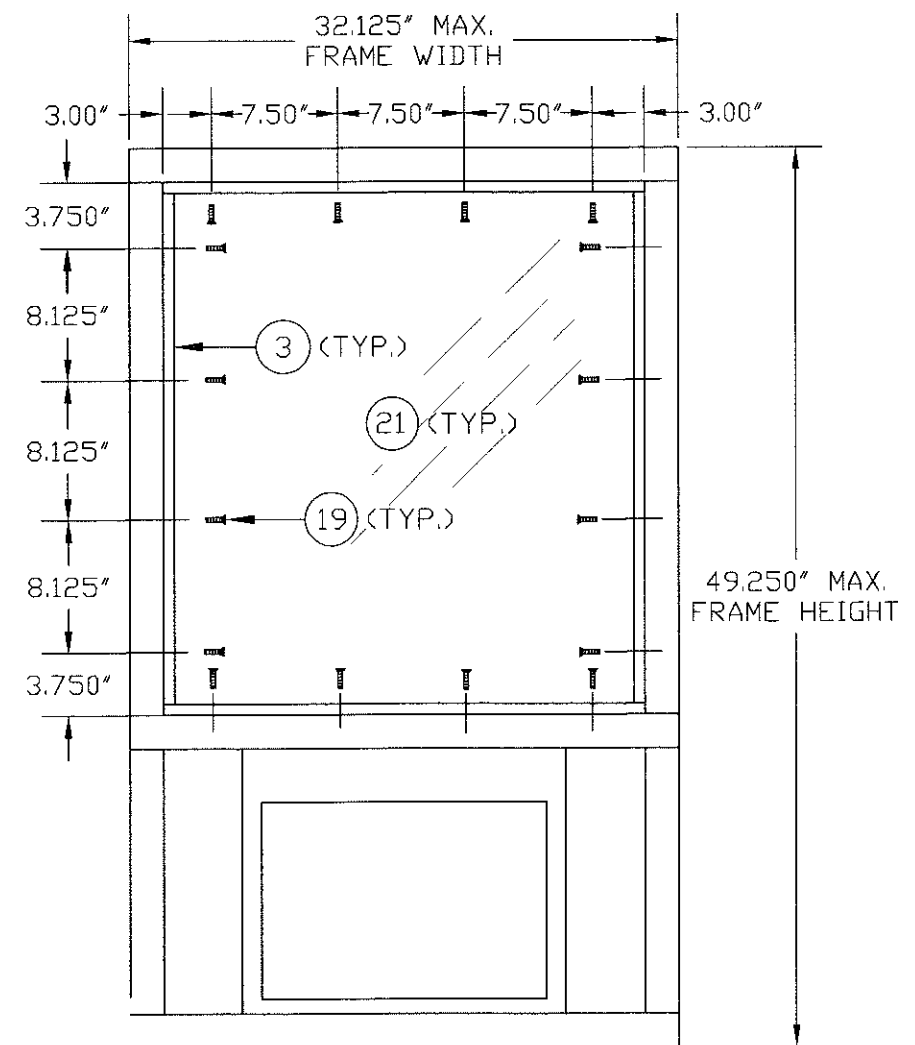
QUIKSERV CORP.
 11441 BRITTMOORE PARK DR.
 HOUSTON, TX. 77041

M.L.
 DRAWN BY:
 07/17/17
 DATE:
 17-081
 DRAWING No.
 SHEET 7 OF 13

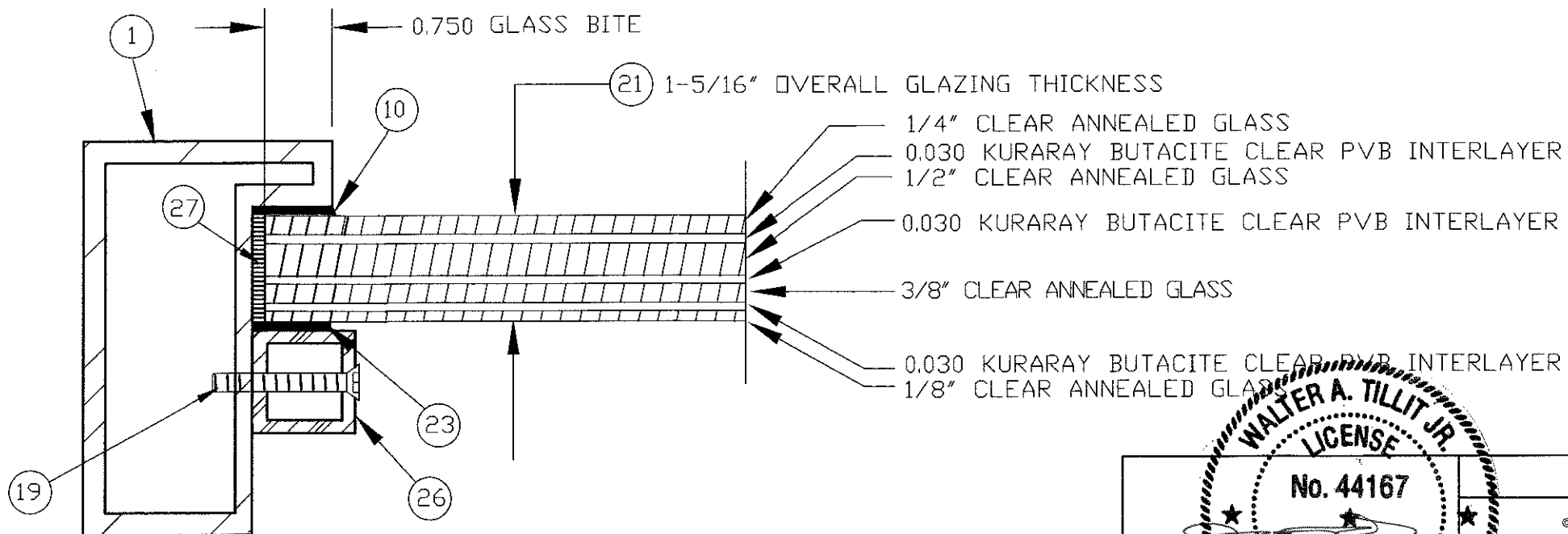
REV. NO	DESCRIPTION	DATE	REV. No	DESCRIPTION	DATE
1	OLD 15-287	07/17/17	3		
2			4		



**PCJ-130-IP-WINDOW TYPE 1
INTERIOR SIDE**



**MINI-713-IP-WINDOW TYPE 2
INTERIOR SIDE**



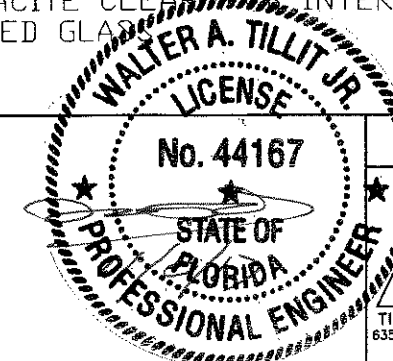
GLAZING DETAIL

**SASH FASTENING DETAIL
AT TYPE 1 & 2 WINDOWS**

REQ'D SEALANT:

**ALL FRAME JOINTS AND CONNECTIONS
SEALED WITH DOW CORNING 995 SILICONE (10)**

PRODUCT REVISED
as complying with the Florida
Building Code
Acceptance No. 17-0731-04
Expiration Date July 21, 2021
By *Manuel Perez*
Miami/Dade Product Control



P.E. SEAL/SIGNATURE/DATE

FLORIDA BUILDING CODE (HIGH VELOCITY HURRICANE ZONE)

©2017 TILTECO, INC.

TILTECO INC.

TILLIT TESTING & ENGINEERING COMPANY
6355 N.W. 36th St., Ste. 305, VIRGINIA GARDENS, FL 33166
Phone : (305)871-1530 . Fax : (305)871-1531
EB-0006719

WALTER A. TILLIT Jr. P.E.
FLORIDA Lic. # 44167

**ALUMINUM COMMERCIAL PASS THRU
WINDOW LARGE MISSILE IMPACT RESISTANT**

QUIKSERV CORP.
11441 BRITTMORE PARK Dr.
HOUSTON, TX. 77041

M.L.
DRAWN BY:

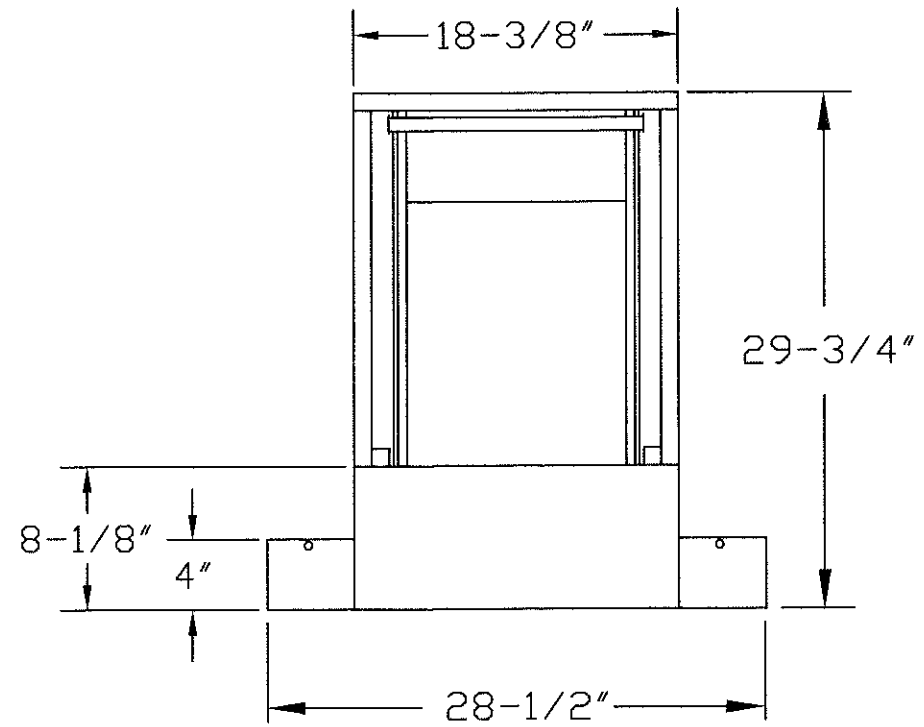
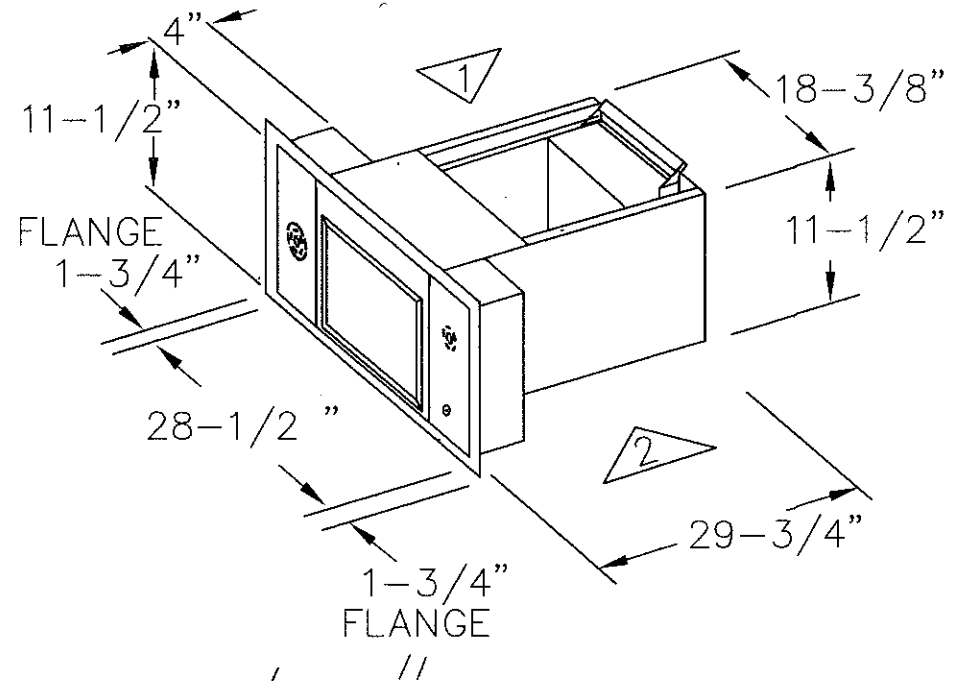
07/17/17
DATE:

17-081
DRAWING No.

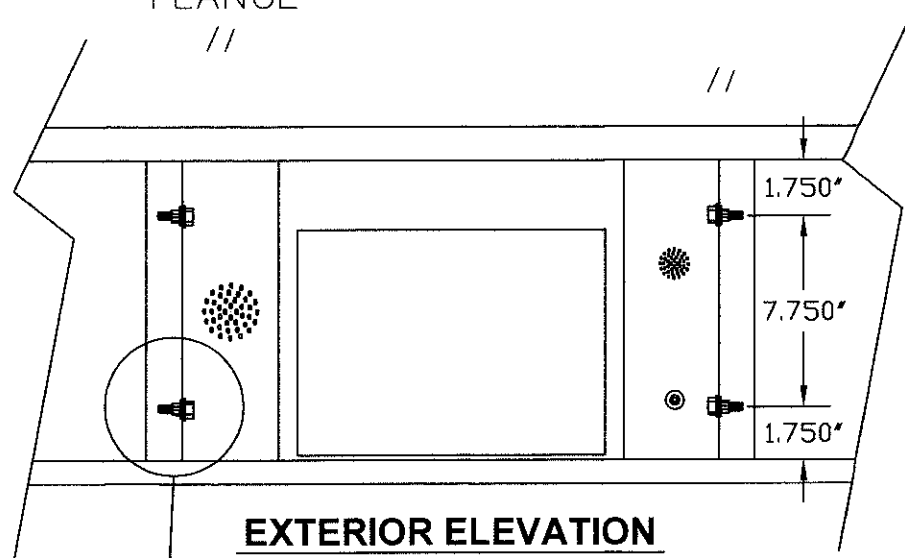
REV. NO	DESCRIPTION	DATE	REV. No	DESCRIPTION	DATE
1	OLD 15-287	07/17/17	3		
2	SETTING BLOCK	11/03/17	4		

SHEET 8 OF 13

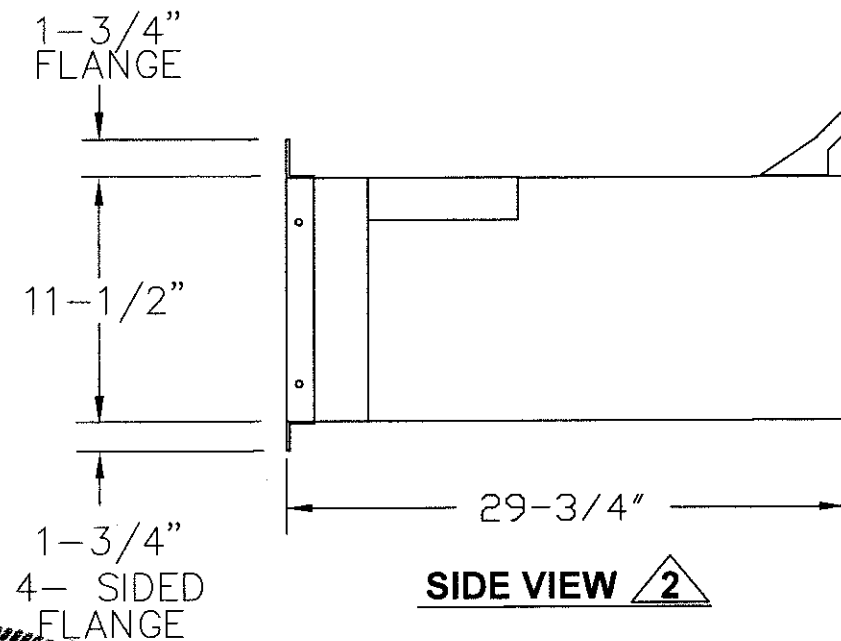
DRAWER DIMENSIONS (ISOMETRIC)



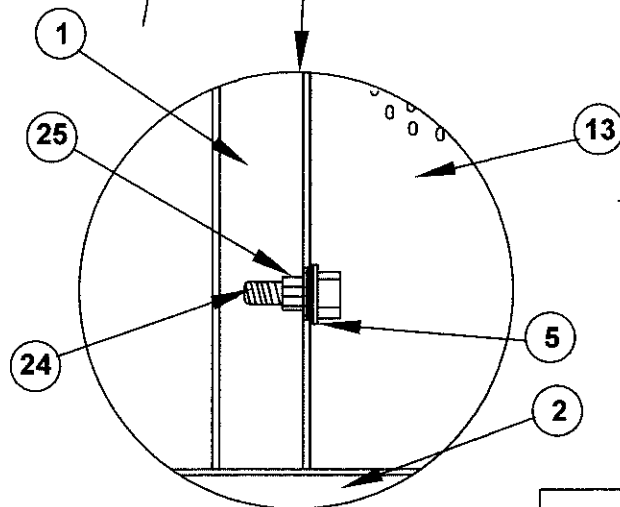
PLAN VIEW 1



EXTERIOR ELEVATION



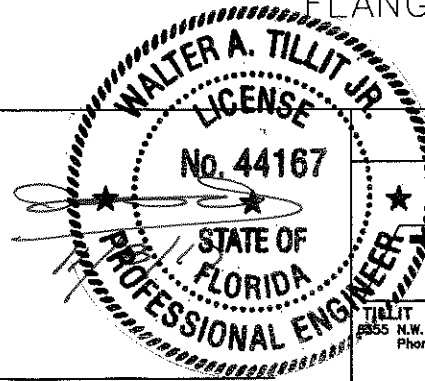
SIDE VIEW 2



**FACTORY DRAWER ATTACHMENT
TYP. FOR WINDOWS TYPE 1 & 2
SCALE: N.T.S.**

ALL FRAME JOINTS AND CONNECTIONS SEALED WITH DOW CORNING 995 SILICONE (10)

PRODUCT REVISED as complying with the Florida Building Code
Acceptance No. 17-0731.04
Expiration Date July 31, 2021
By *Manuel Perez*
Miami Dade Product Control



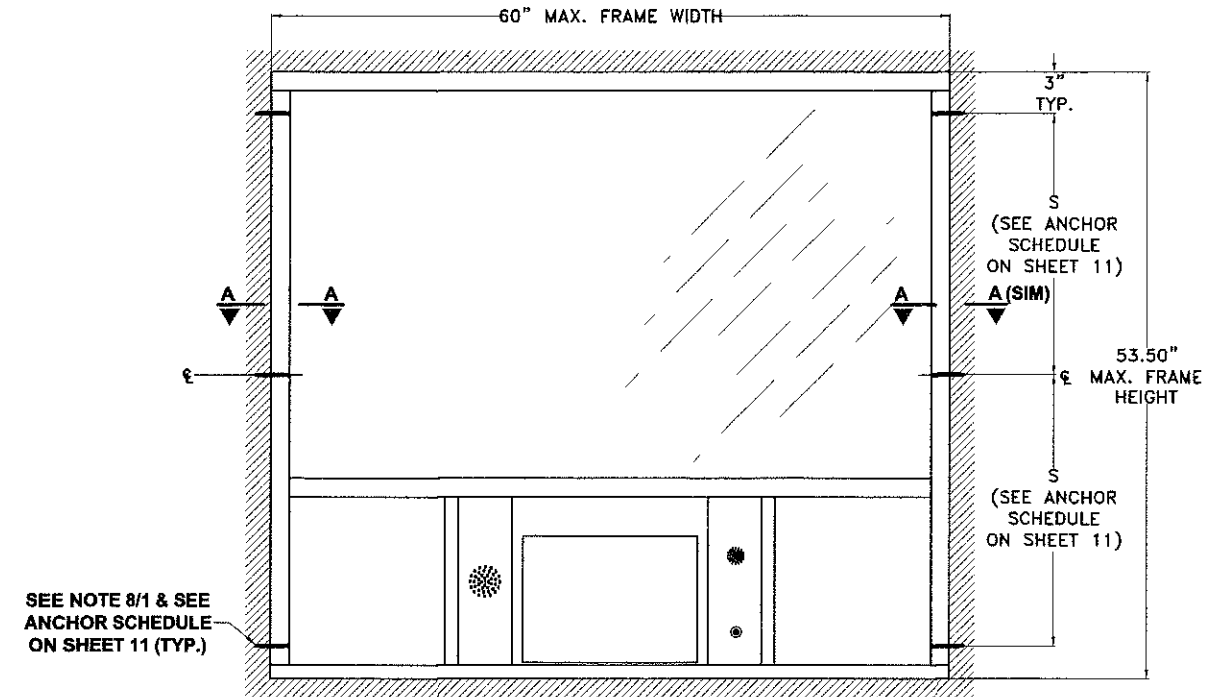
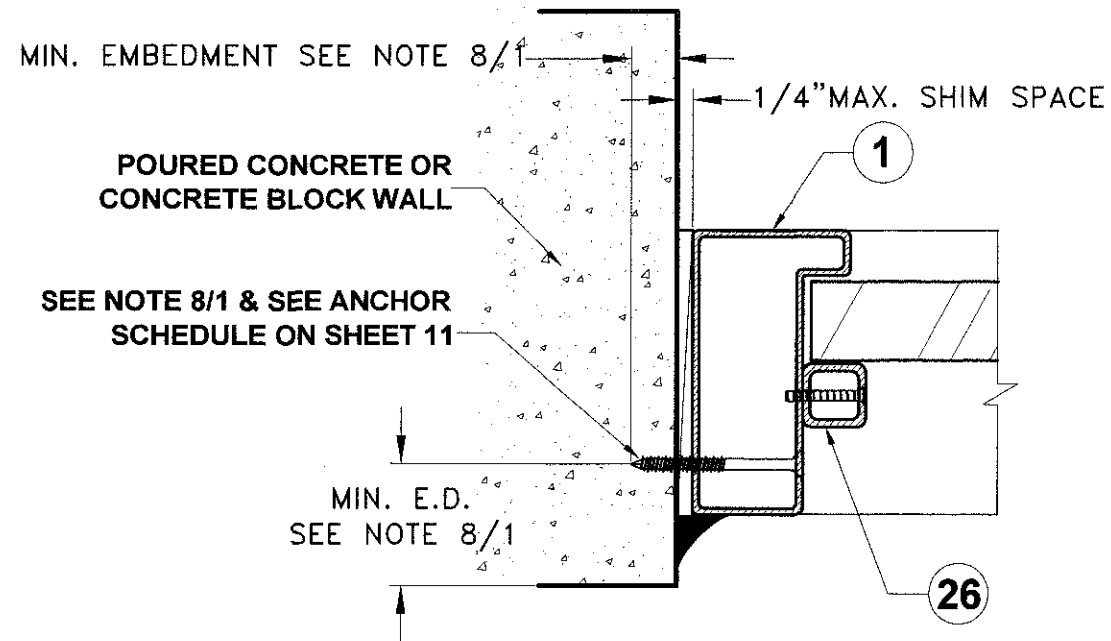
FLORIDA BUILDING CODE (HIGH VELOCITY HURRICANE ZONE)

©2017 TILTECO, INC.
TILTECO INC.
TILIT TESTING & ENGINEERING COMPANY
2355 N.W. 36th St., Ste. 305, VIRGINIA GARDENS, FL 33166
Phone: (305)871-1530 Fax: (305)871-1531
EB-0006719
WALTER A. TILLIT Jr. P.E.
FLORIDA Lic. # 44167

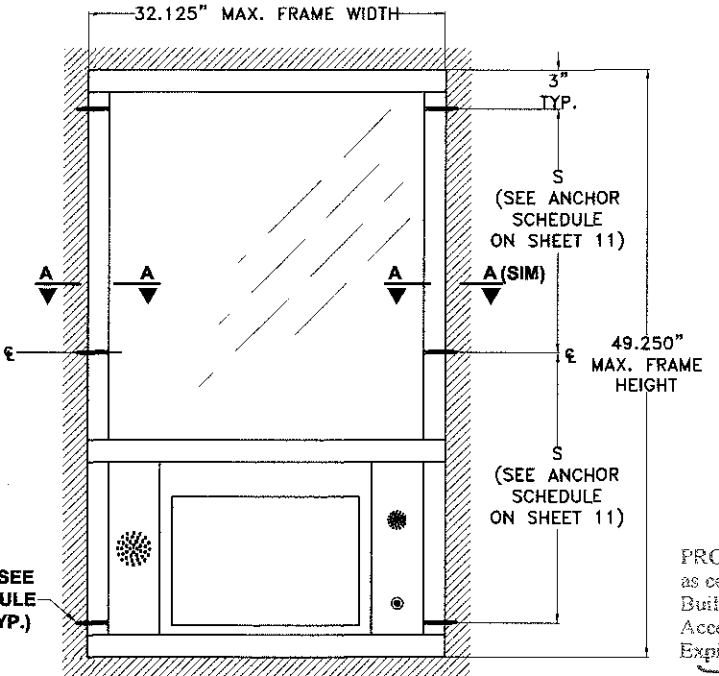
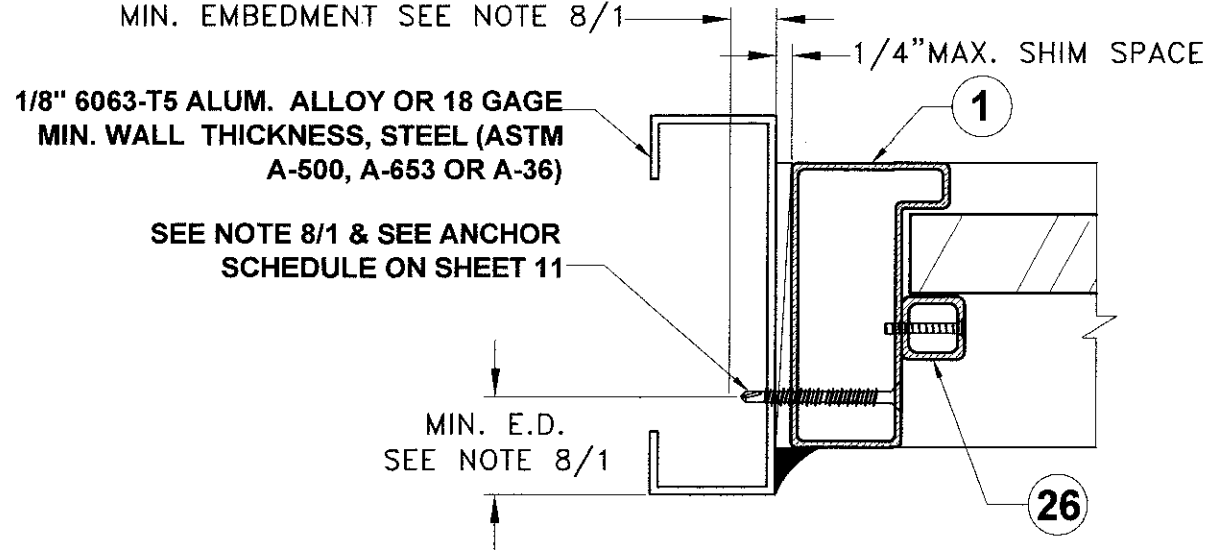
ALUMINUM COMMERCIAL PASS THRU WINDOW LARGE MISSILE IMPACT RESISTANT
QUIKSERV CORP.
11441 BRITTMORE PARK DR.
HOUSTON, TX. 77041

M.L. DRAWN BY:
07/17/17 DATE:
17-081 DRAWING No.
SHEET 9 OF 13

REV. NO	DESCRIPTION	DATE	REV. No	DESCRIPTION	DATE
1	OLD 15-287	07/17/17	3		
2			4		

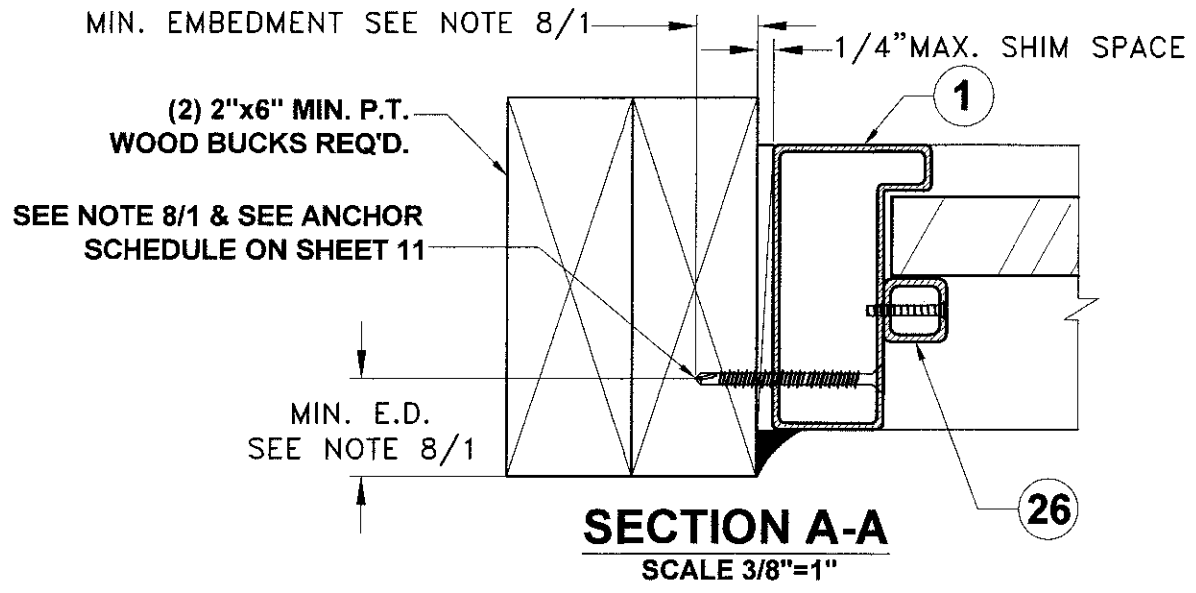


PCJ-130-IP-WINDOW TYPE 1



QSP-713S-MINI-IP WINDOW TYPE 2

PRODUCT REVISED
 as complying with the Florida
 Building Code
 Acceptance No. 17-0731.04
 Expiration Date July 21, 2021
 By *Manuel Perez*
 Miami/Dade Product Control



SECTION A-A
 SCALE 3/8"=1"

WALTER A. TILLIT JR.
 LICENSE No. 44167
 STATE OF FLORIDA
 PROFESSIONAL ENGINEER

©2017 TILTECO, INC.

TILTECO INC.

TESTING & ENGINEERING COMPANY
 305 VIRGINIA GARDENS, FL 33166
 Phone: (305)871-1530 Fax: (305)871-1531
 EB-0006719
 WALTER A. TILLIT Jr. P.E.
 FLORIDA Lic. # 44167

FLORIDA BUILDING CODE (HIGH VELOCITY HURRICANE ZONE)

ALUMINUM COMMERCIAL PASS THRU WINDOW LARGE MISSILE IMPACT RESISTANT

QUIKSERV CORP.
 11441 BRITTMOORE PARK DR.
 HOUSTON, TX. 77041

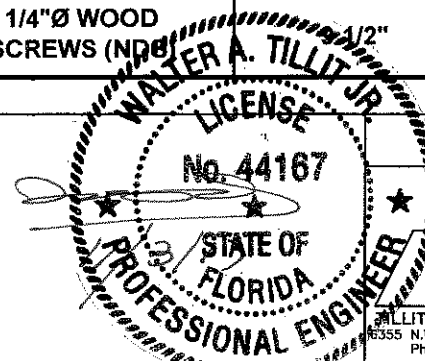
M.L. DRAWN BY:
 07/17/17 DATE:
 17-081 DRAWING No.
 SHEET 10 OF 13

REV. NO	DESCRIPTION	DATE	REV. No	DESCRIPTION	DATE
1	OLD 15-287	07/17/17	3		
2			4		

MAXIMUM ANCHOR SPACING "S" SCHEDULE AT JAMBS

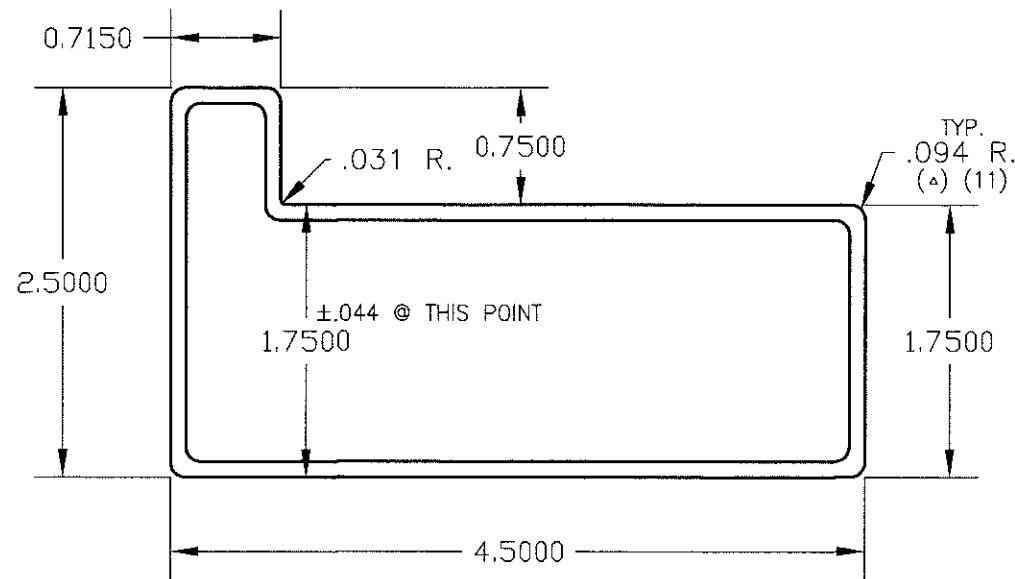
DESIGN LOAD (PSF.) NEGATIVE LOAD	SUBSTRATE	ANCHOR TYPE	MAX. SPACING @ WINDOW TYPE 1	MAX. SPACING @ WINDOW TYPE 2
50 OR LESS	POURED CONCRETE (SEE NOTE 8A/1)	1/4"Ø ITW BUILDEX TAPCON ANCHORS	14 1/2"	21"
	CONCRETE BLOCK (SEE NOTE 8B/1)	1/4"Ø ITW BUILDEX TAPCON ANCHORS	14 1/2"	21"
	ALUMINUM MEMBER (SEE NOTE 8D/1)	1/4"Ø ITW BUILDEX TEK SCREWS	18 1/4"	21"
	STEEL MEMBER (SEE NOTE 8E/1)	1/4"Ø ITW BUILDEX TEK SCREWS	18 1/4"	21"
	WOOD (SEE NOTE 8C/1)	1/4"Ø WOOD SCREWS (NDS)	15 1/4"	21"
>50 TO 70	POURED CONCRETE (SEE NOTE 8A/1)	1/4"Ø ITW BUILDEX TAPCON ANCHORS	10 1/2"	19 1/4"
	CONCRETE BLOCK (SEE NOTE 8B/1)	1/4"Ø ITW BUILDEX TAPCON ANCHORS	10 1/2"	19 1/4"
	ALUMINUM MEMBER (SEE NOTE 8D/1)	1/4"Ø ITW BUILDEX TEK SCREWS	13"	21"
	STEEL MEMBER (SEE NOTE 8E/1)	1/4"Ø ITW BUILDEX TEK SCREWS	13"	21"
	WOOD (SEE NOTE 8C/1)	1/4"Ø WOOD SCREWS (NDS)	10 3/4"	20"
>70 TO 80	POURED CONCRETE (SEE NOTE 8A/1)	1/4"Ø ITW BUILDEX TAPCON ANCHORS	9"	17"
	CONCRETE BLOCK (SEE NOTE 8B/1)	1/4"Ø ITW BUILDEX TAPCON ANCHORS	9"	17"
	ALUMINUM MEMBER (SEE NOTE 8D/1)	1/4"Ø ITW BUILDEX TEK SCREWS	11 1/4"	17 1/2"
	STEEL MEMBER (SEE NOTE 8E/1)	1/4"Ø ITW BUILDEX TEK SCREWS	11 1/4"	17 1/2"
	WOOD (SEE NOTE 8C/1)	1/4"Ø WOOD SCREWS (NDS)	11 1/2"	17 1/2"

PRODUCT REVISED
 as complying with the Florida
 Building Code
 Acceptance No. 17-0731-0A
 Expiration Date July 21, 2021
 By Maurice Stroz
 Miami Dade Product Control

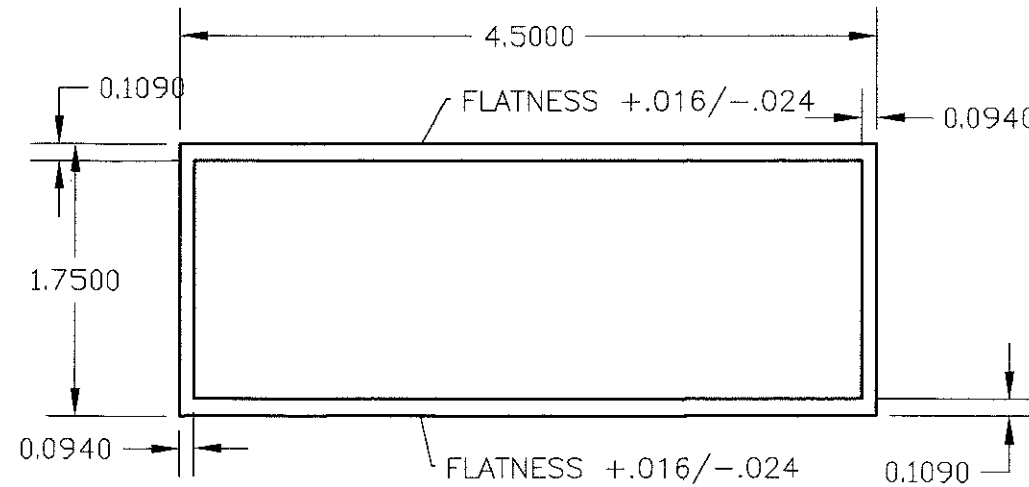


FLORIDA BUILDING CODE (HIGH VELOCITY HURRICANE ZONE)

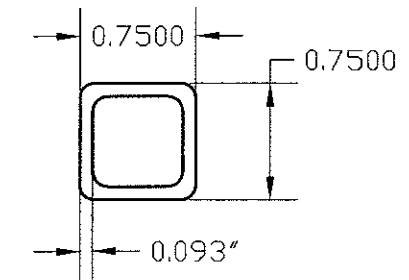
P.E. SEAL/SIGNATURE/DATE WALTER A. TILLIT JR. LICENSE No. 44167 STATE OF FLORIDA PROFESSIONAL ENGINEER	©2017 TILTECO, INC. TILTECO INC. TILLIT TESTING & ENGINEERING COMPANY 15355 N.W. 36th St., Ste. 305, VIRGINIA GARDENS, FL 33166 Phone : (305)871-1530 . Fax : (305)871-1531 EB-0006719 WALTER A. TILLIT Jr. P.E. FLORIDA Lic. # 44167	ALUMINUM COMMERCIAL PASS THRU WINDOW LARGE MISSILE IMPACT RESISTANT QUIKSERV CORP. 11441 BRITTMOORE PARK Dr. HOUSTON, TX. 77041	M.L. DRAWN BY: 07/17/17 DATE: 17-081 DRAWING No.
	REV. NO. DESCRIPTION DATE REV. No. DESCRIPTION DATE 1 OLD 15-287 07/17/17 3 2 4	SHEET 11 OF 13	



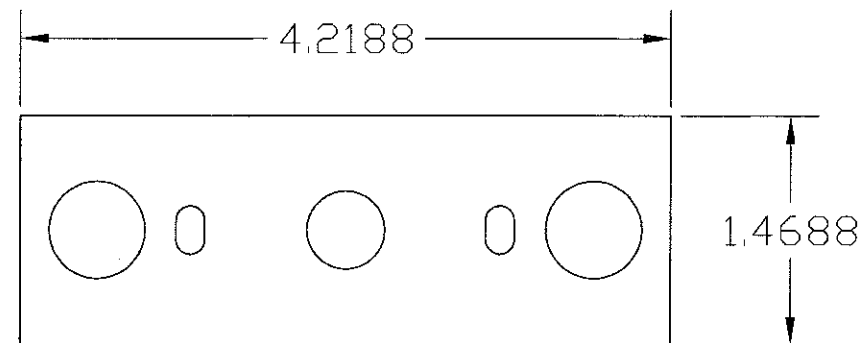
① 1-3/4" X 4-1/2" RECT. TUBE
QUIKSERV PART # 6123



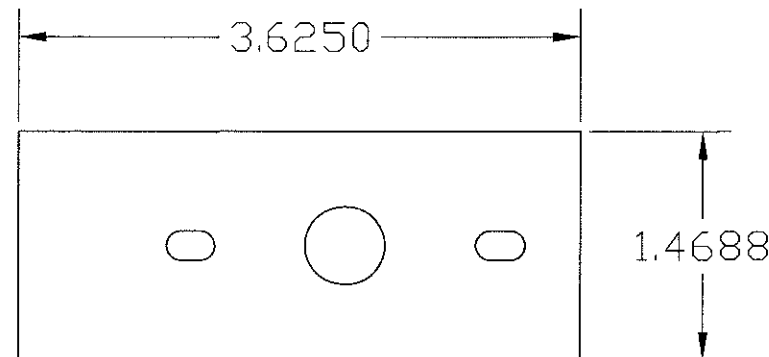
② 1-3/4" X 4-1/2" RECT. TUBE
QUIKSERV RM# 6027



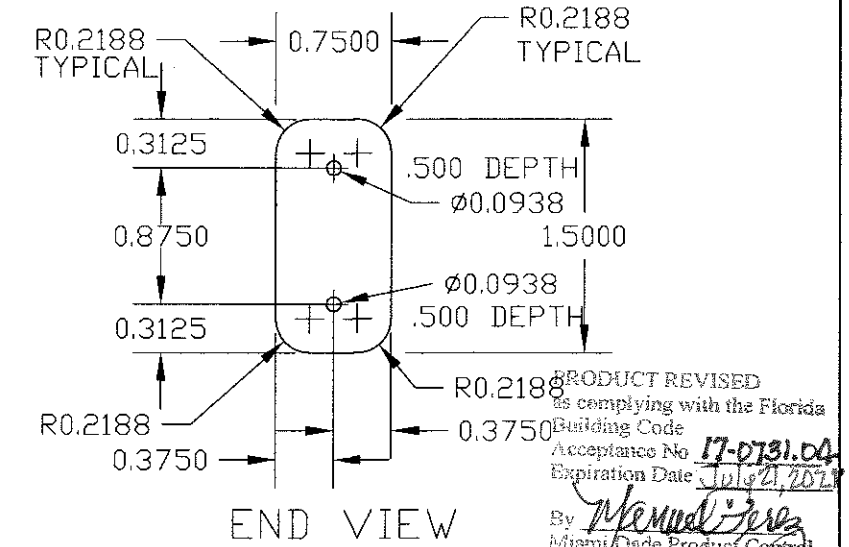
③ 3/4" SQ. TUBE
QUIKSERV RM# 6056



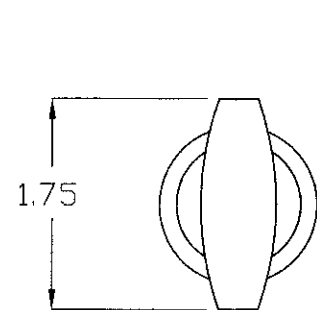
⑦ FRAMING PLATE
14ga. G-90 Galvanized Steel
SIZE: 1.468 X 4.219



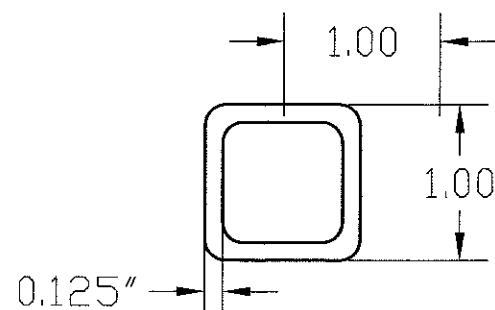
⑧ FRAMING PLATE
14ga. G-90 Galvanized Steel
SIZE: 1.468 X 3.6250



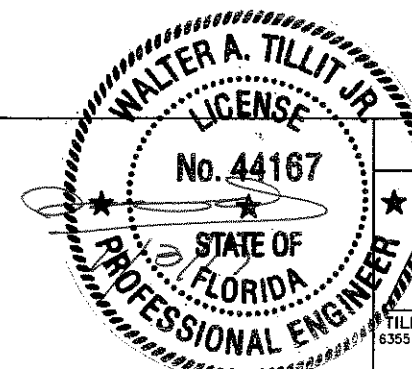
⑬ HANDLE
HIGH DENSITY POLYETHYLENE
QST-MODEL TRANSACTION DRAWER
QUIKSERV RM# 8305



⑰ THUMB TURN HOOKLOCK
QUIKSERV PART # 8043



⑳ 1" SQ. TUBE
QUIKSERV RM# 6055



P.E. SEAL/SIGNATURE/DATE

FLORIDA BUILDING CODE (HIGH VELOCITY HURRICANE ZONE)

©2017 TILTECO, INC.

TILTECO INC.

TILLIT TESTING & ENGINEERING COMPANY
6355 N.W. 36th. St., Ste. 305, VIRGINIA GARDENS, FL 33166
Phone : (305)871-1530 . Fax : (305)871-1531
EB-0006719

WALTER A. TILLIT Jr., P.E.
FLORIDA Lic. # 44167

ALUMINUM COMMERCIAL PASS THRU
WINDOW LARGE MISSILE IMPACT RESISTANT

QUIKSERV CORP.
11441 BRITTMOORE PARK DR.
HOUSTON, TX. 77041

M.L.
DRAWN BY:

07/17/17
DATE:

17-081
DRAWING No.

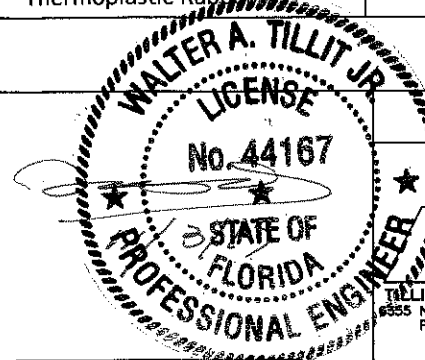
SHEET 12 OF 13

REV. NO	DESCRIPTION	DATE	REV. No	DESCRIPTION	DATE
1	OLD 15-287	07/17/17	3		
2			4		

QUIKSERV COMMERCIAL WINDOW & DRAWER IMPACT UNITS BILL OF MATERIALS & COMPONENTS LIST

Ref. #	Description	Quikserv #	Material	Specs
1	1 3/4" x 4 1/2" Rect. Base Tube	6123	6063-T5 Anodized Aluminum	See drawing - pg 12 - length varies
2	1 3/4" x 4 1/2" Rect. Tube	6026	6063-T5 Anodized Aluminum	See drawing - pg 12 - length varies
3	3/4" Square Tube	6056	6063-T5 Anodized Aluminum	See drawing - pg 12 - length varies
4	Lock Washer	5403	Grade 2 Carbon Steel, Zinc Plated	5/16" diameter x .083" thick
5	Flat Washer	5402	Grade 2 Carbon Steel, Zinc Plated	5/16" diameter x .100" thick
6	Hex Nut	5301	Grade 2 Carbon Steel, Zinc Plated	5/16" - 18
7	Framing Plate	3757	14ga ASTM A-653, Grade 40, G-90 Galv Steel	See drawing - pg 12
8	Framing Plate	8759	14ga ASTM A-653, Grade 40, G-90 Galv Steel	See drawing - pg 12
9	Tek Screw	5017	Grade 2 Carbon Steel, Zinc Plated	#8 - 1/2"
10	Storm Impact Silicone	2148	Silicone	Dow Corning 995 Silicone
11	All Thread Rod	5418	Grade 2 Carbon Steel, Zinc Plated	5/16" - 18 - length varies
12	Drawer Call Button	1089	Plastic	P3-31112
13	Quikserv Stainless Steel Drawer	9157	Various	Various
14	Drawer Speaker	8007	Metal Plated	Misco DC32WP
15	Drawer Microphone	8024	Primo Microphones	Z8024*EM8003F
16	.050 Aluminum Panel	6063	6063-T5 Anodized Aluminum	See drawing - pg 7
17	Drawer Thumb Turn	8043	Stainless Steel Scalps	See drawing - pg 12
18	Drawer Handle	6078	HDPE Black Finish	See drawing - pg 12
19	Sheet Metal Screw	5055	304 Stainless Steel	#10 - 32 x 1 1/2"
20	Tamper Resist Sheet Metal Screw	5054	304 Stainless Steel	#10 - 32 x 1 1/2"
21	BR Impact Glazing	n/a	BR Impact Glazing	See drawing-pg 8
22	Galvanized Steel Plate	6020	14ga ASTM A-653, Grade 40, G-90 Galv Steel	12"(W) x 11-1/2" (H)
23	Single Sided Foam Tape	6098	Firm Density PVC Vinyl Foam	1/16" x 1/2"
24	Hex Bolt	5205	Grade 2 Carbon Steel, Zinc Plated	5/16" - 18 x 1"
25	Nutzert	5318	Grade 2 Carbon Steel, Zinc Plated	5/16" - 18
26	1" Square Tube	6055	6063-T5 Anodized Aluminum	See drawing - pg 12 - length varies
27	Setting Block	5430	Thermoplastic Rubber	Size Varies

PRODUCT REVISED
as complying with the Florida
Building Code
Acceptance No. 17-0731.04
Expiration Date July 21, 2021
By Manuel Perez
Miami Dade Product Control



P.E. SEAL/SIGNATURE/DATE

FLORIDA BUILDING CODE (HIGH VELOCITY HURRICANE ZONE)

©2017 TILTECO, INC.

TILTECO INC.
TILLIT TESTING & ENGINEERING COMPANY
6355 N.W. 38th St., Ste. 305, VIRGINIA GARDENS, FL 33166
Phone : (305)871-1530 • Fax : (305)871-1531
EB-0006719
WALTER A. TILLIT Jr., P.E.
FLORIDA Lic. # 44167

ALUMINUM COMMERCIAL PASS THRU
WINDOW LARGE MISSILE IMPACT RESISTANT

QUIKSERV CORP.
11441 BRITTMOORE PARK Dr.
HOUSTON, TX. 77041

M.L.
DRAWN BY:

07/17/17
DATE:

17-081

DRAWING No.

REV. NO	DESCRIPTION	DATE	REV. No	DESCRIPTION	DATE
1	OLD 15-287	07/17/17	3		
2	SETTING BLOCK	11/03/17	4		

SHEET 13 OF 13