



DEPARTMENT OF REGULATORY AND ECONOMIC RESOURCES (RER)
BOARD AND CODE ADMINISTRATION DIVISION

NOTICE OF ACCEPTANCE (NOA)

MIAMI-DADE COUNTY
PRODUCT CONTROL SECTION
11805 SW 26 Street, Room 208
T (786) 315-2590 F (786) 315-2599
www.miamidade.gov/economy

Peetz Windows and Doors, Inc.
15951 SW 41 Street, Suite 150
Weston, FL 33331

SCOPE:

This NOA is being issued under the applicable rules and regulations governing the use of construction materials. The documentation submitted has been reviewed and accepted by Miami-Dade County RER - Product Control Section to be used in Miami Dade County and other areas where allowed by the Authority Having Jurisdiction (AHJ).

This NOA shall not be valid after the expiration date stated below. The Miami-Dade County Product Control Section (In Miami Dade County) and/or the AHJ (in areas other than Miami Dade County) reserve the right to have this product or material tested for quality assurance purposes. If this product or material fails to perform in the accepted manner, the manufacturer will incur the expense of such testing and the AHJ may immediately revoke, modify, or suspend the use of such product or material within their jurisdiction. RER reserves the right to revoke this acceptance, if it is determined by Miami-Dade County Product Control Section that this product or material fails to meet the requirements of the applicable building code.

This product is approved as described herein, and has been designed to comply with the Florida Building Code, including the High Velocity Hurricane Zone.

DESCRIPTION: Series "American" Bronze Clad, Glazed Outswing Wood Door – L.M.I.

APPROVAL DOCUMENT: Drawing No. 1688, titled "American Out-Swing Bronze Clad Impact Wood Doors", sheets 1 through 8 of 8, dated 07/05/12, with revision A1 dated 01/09/17, prepared by W.W. Schaefer Engineering & Consulting, P.A., signed and sealed by Warren W. Schaefer, P.E., bearing the Miami-Dade County Product Control Revision stamp with the Notice of Acceptance number and expiration date by the Miami-Dade County Product Control Section.

MISSILE IMPACT RATING: Large and Small Missile Impact Resistant.

LIMITATION: Optional ADA threshold does not meet the water requirement, see Sill Detail and note on Sheet 6 of 8.

LABELING: Each unit shall bear a permanent label with the manufacturer's name or logo, Kall, Germany, model/series, and following statement: "Miami-Dade County Product Control Approved", unless otherwise noted herein.

RENEWAL of this NOA shall be considered after a renewal application has been filed and there has been no change in the applicable building code negatively affecting the performance of this product.

TERMINATION of this NOA will occur after the expiration date or if there has been a revision or change in the materials, use, and/or manufacture of the product or process. Misuse of this NOA as an endorsement of any product, for sales, advertising or any other purposes shall automatically terminate this NOA. Failure to comply with any section of this NOA shall be cause for termination and removal of NOA.

ADVERTISEMENT: The NOA number preceded by the words Miami-Dade County, Florida, and followed by the expiration date may be displayed in advertising literature. If any portion of the NOA is displayed, then it shall be done in its entirety.

INSPECTION: A copy of this entire NOA shall be provided to the user by the manufacturer or its distributors and shall be available for inspection at the job site at the request of the Building Official.

This NOA revises NOA# 17-0112.14 and consists of this page 1 and evidence pages E-1 and E-2, as well as approval document mentioned above.

The submitted documentation was reviewed by **Manuel Perez, P.E.**



Handwritten signature and date: 7/10/17/17

NOA No. 17-0803.24
Expiration Date: October 25, 2022
Approval Date: October 26, 2017
Page 1

NOTICE OF ACCEPTANCE: EVIDENCE SUBMITTED

1. EVIDENCE SUBMITTED UNDER PREVIOUS NOA's

A. DRAWINGS

1. Manufacturer's die drawings and sections.
(Submitted under NOA No. 12-0713.04)
2. Drawing No. 1688, titled "American Out-Swing Bronze Clad Impact Wood Doors" sheets 1 through 8 of 8, dated 07/05/12, with revision A1 dated 01/09/17, prepared by W.W. Schaefer Engineering & Consulting, P.A., signed and sealed by Warren W. Schaefer, P.E.

B. TESTS

1. Test reports on:
 - 1) Air Infiltration Test, per FBC, TAS 202-94
 - 2) Uniform Static Air Pressure Test, Loading per FBC TAS 202-94
 - 3) Water Resistance Test, per FBC, TAS 202-94
 - 4) Large Missile Impact Test per FBC, TAS 201-94
 - 5) Cyclic Wind Pressure Loading per FBC, TAS 203-94
 - 6) Forced Entry Test, per FBC 2411 3.2.1, TAS 202-94along with marked-up drawings and installation diagram of an series American outswing bronze clad wood casement windows & doors, prepared by Hurricane National Test Laboratory LLC, Test Report No. **HTL-0284-0501-10B**, dated 09/13/12 to 09/15/12, signed and sealed by Vinu J. Abraham, P.E.
(Submitted under NOA No. 12-0713.04)

C. CALCULATIONS

1. Anchor verification calculations and structural analysis, complying with **FBC 5th Edition (2014)**, dated 12/14/11 and updated on 01/05/17, prepared by W.W. Schaefer Engineering & Consulting, P.A., signed and sealed by Warren W. Schaefer, P.E.
2. Glazing complies with **ASTM E1300-04**.

D. QUALITY ASSURANCE

1. Miami-Dade Department of Regulatory and Economic Resources (RER)

E. MATERIAL CERTIFICATIONS

1. Notice of Acceptance No. **14-0423.15** issued to **Eastman Chemical Company (MA)** for their "**Saflex CP – Saflex and Saflex HP Composite Glass Interlayers with PET Core**" dated 06/19/14, expiring on 12/11/18.

F. STATEMENTS

1. Statement letter of conformance, complying with **FBC 5th Edition (2014)**, dated 12/19/16, prepared by W. W. Schaefer Engineering & Consulting, P.A., signed and sealed by Warren W. Schaefer, P.E.



Manuel Perez, P.E.
Product Control Examiner
NOA No. 17-0803.24

Expiration Date: October 25, 2022
Approval Date: October 26, 2017

Peetz Windows and Doors, Inc.

NOTICE OF ACCEPTANCE: EVIDENCE SUBMITTED

F. STATEMENTS (CONTINUED)

2. Statement letter of no financial interest, dated 12/19/16, prepared by W. W. Schaefer Engineering & Consulting, P.A., signed and sealed by Warren W. Schaefer, P.E.
3. Laboratory compliance letter for Test Report No. **HTL-0284-0501-10B**, issued by Hurricane Test Laboratory, LLC, dated 11/14/11, signed and sealed by Vinu J. Abraham, P.E.
(Submitted under NOA No. 12-0713.04)

G. OTHERS

1. Notice of Acceptance No. **14-0429.04**, issued to Peetz Windows and Doors, Inc. for their Series “American” Bronze Clad Outswing Wood Door – L.M.I., approved on 06/12/14 and expiring on 10/25/17.

2. NEW EVIDENCE SUBMITTED

A. DRAWINGS

1. None.

B. TESTS

1. None

C. CALCULATIONS

1. None

D. QUALITY ASSURANCE

1. Miami-Dade Department of Regulatory and Economic Resources (RER)

E. MATERIAL CERTIFICATIONS

1. Notice of Acceptance No. **14-0423.15** issued to **Eastman Chemical Company (MA)** for their “**Saflex CP – Saflex and Saflex HP Composite Glass Interlayers with PET Core**” dated 06/19/14, expiring on 12/11/18.

F. STATEMENTS

1. Statement letter of conformance, complying with **FBC 5th Edition (2014)** and with **FBC 6th Edition (2017)**, dated July 18, 2017, issued by W.W. Schaefer Engineering & Consulting, P.A., signed and sealed by Warren W. Schaefer, P.E.

G. OTHERS

1. Notice of Acceptance No. **17-0112.14**, issued to Peetz Windows and Doors, Inc. for their Series “American” Bronze Clad Outswing Wood Door – L.M.I., approved on 03/09/17 and expiring on 10/25/22.


Manuel Perez, P.E.
Product Control Examiner

NOA No. 17-0803.24

Expiration Date: October 25, 2022

Approval Date: October 26, 2017

GENERAL NOTES:

1. THIS PRODUCT HAS BEEN TESTED, ANALYZED & APPROVED FOR DESIGN PRESSURES NOT TO EXCEED THOSE SHOWN IN THE "ALLOWABLE DESIGN PRESSURE TABLE(S)".
2. OPENINGS, BUCKING & BUCKING FASTENERS MUST BE PROPERLY DESIGNED & INSTALLED TO TRANSFER WIND LOADS TO THE STRUCTURE.
3. ALL HARDWARE & FASTENERS SHALL BE IN ACCORDANCE WITH THESE DRAWINGS & SHALL NOT VARY UNLESS SPECIFICALLY MENTIONED ON THE DRAWINGS. SPECIFIED ANCHOR EMBED TO BASE MATERIAL SHALL BE BEYOND WALL FINISH OR STUCCO.
4. THE DETAILS & SPECIFICATIONS SHOWN HEREIN REPRESENT THE PRODUCTS TESTED & PROPOSED FOR CONFORMANCE WITH THE FLORIDA BUILDING CODE PROTOCOLS TAS-201, 202 & 203 FOR LARGE MISSILE IMPACT PRODUCTS.
5. THIS PRODUCT HAS BEEN DESIGNED IN ACCORDANCE WITH AND MEETS THE REQUIREMENTS OF THE FLORIDA BUILDING CODE (FBC) INCLUDING HIGH VELOCITY HURRICANE ZONES (HVHZ).
6. IMPACT SHUTTERS ARE NOT REQUIRED WITH THIS PRODUCT.
7. ALL ANCHORS SECURING PRODUCT FRAMES TO PRESSURE TREATED BUCKS OR WOOD FRAMING SHALL BE CAPABLE OF RESISTING CORROSION CAUSED BY THE PRESSURE TREATING CHEMICALS IN THE WOOD.
8. DETERMINE THE POSITIVE & NEGATIVE DESIGN LOADS TO USE WHEN REFERENCING THESE DOCUMENTS IN ACCORDANCE WITH THE GOVERNING CODE AND GOVERNING WIND VELOCITY. FOR WIND LOAD CALCULATIONS IN ACCORDANCE WITH THE FLORIDA BUILDING CODE, A DIRECTIONALITY FACTOR OF $K_d = 0.85$ MAY BE APPLIED PER THE ASCE-7 STANDARD.
9. NO INCREASE IN ALLOWABLE STRESS HAS BEEN USED IN THE CERTIFICATION OF THIS PRODUCT. WIND LOAD DURATION FACTOR $C_d = 1.6$ WAS USED FOR WOOD SCREW ANALYSIS ONLY.
10. MATERIALS, INCLUDING BUT NOT LIMITED TO STEEL SCREWS, THAT COME INTO CONTACT WITH OTHER DISSIMILAR MATERIALS SHALL MEET THE REQUIREMENTS OF FLORIDA BUILDING CODE.
11. ALL WOOD MEMBERS OF THIS PRODUCT THAT MAY POSSIBLY COME INTO CONTACT WITH MASONRY OR CONCRETE SUBSTRATES, ARE SUBJECT TO MOISTURE &/OR ARE SUBJECT TO THE OUTSIDE ENVIRONMENT SHALL BE OF AN APPROVED DURABLE SPECIES OR BE TREATED IN AN APPROVED METHOD WITH AN APPROVED PRESERVATIVE PER FBC REQUIREMENTS.

CORNER CONSTRUCTION:

- RECTANGULAR FRAME: COPEDED, BUTTED TOGETHER, JOINED WITH 2 NO. 10 X 3 1/8" SCREWS & GLUED WITH BINDAN D4 OR EQUAL.
- SHAPED FRAME: MEMBER ARE GROOVED, BUTTED TOGETHER, JOINED WITH 2 MAHOGANY TONGUES & GLUED WITH BINDAN D4 OR EQUAL.
- RECTANGULAR PANEL: MULTI-FORKED, BUTTED & GLUED WITH BINDAN D4 OR EQUAL.
- ALTERNATE BOTTOM RAIL: COPEDED, BUTTED TO STILES, JOINED WITH TEN(10) 3/8" X 3 1/8" WOOD DOWELS & GLUED WITH BINDAN D4 OR EQUAL.
- SHAPED PANEL: MULTI-FORKED, BUTTED & GLUED WITH BINDAN D4 OR EQUAL.
- MID-RAIL ENDS: COPEDED, BUTTED TO STILES/RAILS, JOINED WITH TWO(2) 3/8" X 3 1/8" WOOD DOWELS & GLUED WITH BINDAN D4 OR EQUAL.
- FRAME CLAD: MEMBERS ARE MITERED TOGETHER & WELDED ON THE EXTERIOR SIDE.
- PANEL CLAD: MEMBERS ARE MITERED TOGETHER & WELDED TOGETHER ON THE INTERIOR SIDE.

FRAME ANCHOR REQUIREMENTS TABLE

OPENING TYPE (SUBSTRATE)	FRAME/CLIP TO OPENING FASTENER TYPE	MINIMUM EMBED	MINIMUM EDGE DIST.
FRAME SCREWS			
MIN. 2X4 WOOD FRAME OR BUCK (MIN. GR. 3 & G=0.55)	NO. 14 SMS OR WOOD SCREW	1 1/4"	3/4"
MIN. 16 GA. 50 KSI METAL STUD	1/4" GR. 5 SELF TAP/DRILL SCREW	FULL	1/2"
MIN. 1/8" THK A36 STEEL	1/4" GR. 5 SELF TAP/DRILL SCREW	FULL	1/2"
MIN. 1/8" THK 6063-T5 ALUM.	1/4" GR. 5 SELF TAP/DRILL SCREW	FULL	1/2"
(2) MIN. C-90 CMU	(1) 1/4" CONCRETE SCREW	1 1/4"	2 1/2"
MIN. 2500 PSI CONCRETE	(1) 1/4" CONCRETE SCREW	1 1/2"	2 1/2"

ANGLE CLIP INSTALLATION SCREWS

MIN. 2X4 WOOD FRAME OR BUCK (MIN. GR. 3 & G=0.55)	NO. 8 SMS SCREW	1 3/8"	1/2"
MIN. 1/8" THK A36 STEEL	NO. 8 GR. 5 SELF TAP/DRILL SCREW	FULL	1/2"
MIN. 1/8" THK 6063-T5 ALUM.	NO. 8 GR. 5 SELF TAP/DRILL SCREW	FULL	1/2"

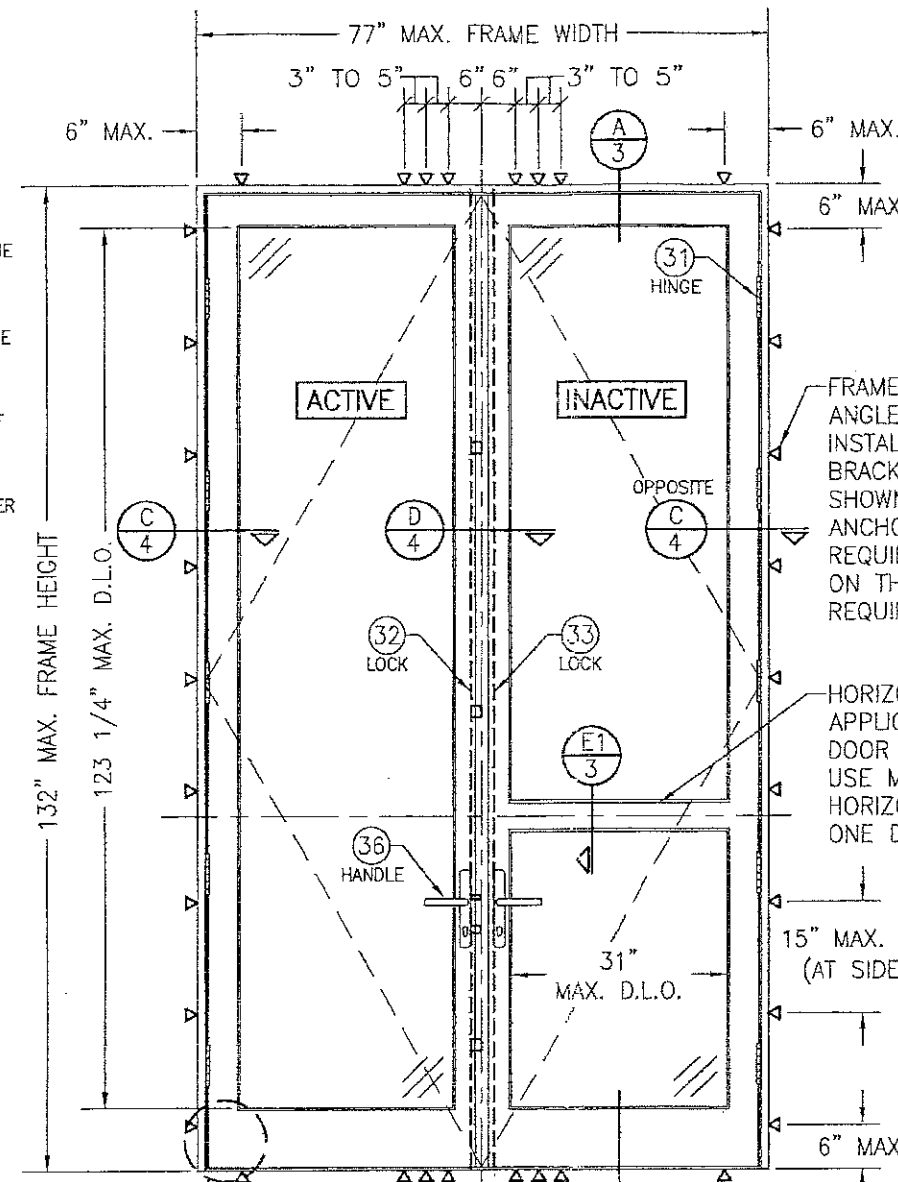
NARROW INSTALLATION BRACKET SCREWS

MIN. 2X6 WOOD FRAME OR BUCK (MIN. GR. 3 & G=0.55)	NO. 8 SMS SCREW	1 3/8"	3/4"
MIN. 16 GA. 50 KSI METAL STUD	NO. 8 GR. 5 SELF TAP/DRILL SCREW	FULL	1/2"
MIN. 1/8" THK A36 STEEL	NO. 8 GR. 5 SELF TAP/DRILL SCREW	FULL	1/2"
MIN. 1/8" THK 6063-T5 ALUM.	NO. 8 GR. 5 SELF TAP/DRILL SCREW	FULL	1/2"

WIDE INSTALLATION BRACKET SCREWS

MIN. 2X6 WOOD FRAME OR BUCK (MIN. GR. 3 & G=0.55)	NO. 8 SMS SCREW	1 3/8"	3/4"
MIN. 16 GA. 50 KSI METAL STUD	NO. 8 GR. 5 SELF TAP/DRILL SCREW	FULL	1/2"
MIN. 1/8" THK A36 STEEL	NO. 8 GR. 5 SELF TAP/DRILL SCREW	FULL	1/2"
MIN. 1/8" THK 6063-T5 ALUM.	NO. 8 GR. 5 SELF TAP/DRILL SCREW	FULL	1/2"
(2) MIN. C-90 CMU	(1) 3/16" CONCRETE SCREW	1 1/4"	2"
MIN. 2500 PSI CONCRETE	(1) 3/16" CONCRETE SCREW	1 1/2"	2"

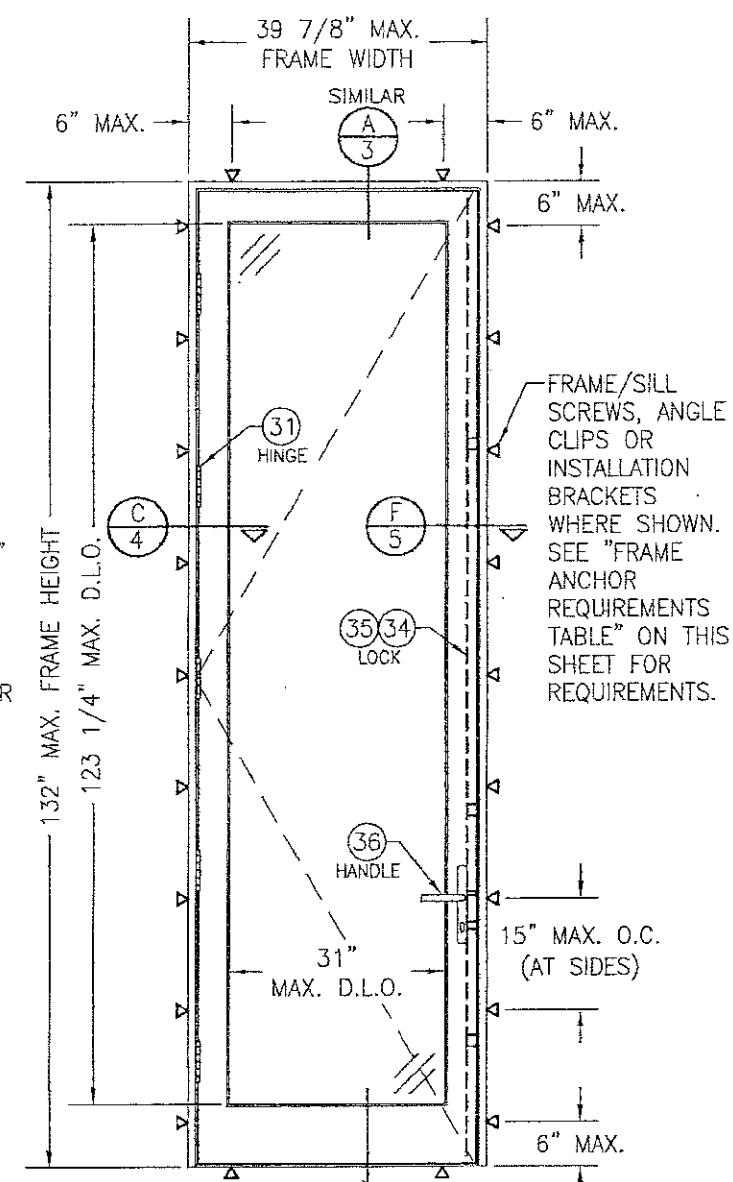
- (1) CONCRETE SCREWS SHALL BE ELCO ULTRACONS (C.S.), ELCO CRETE-FLEX (S.S.), ITW RAMSET/RED HEAD TAPCONS (C.S. OR S.S.) OR HILTI KWIK-CON II (C.S. OR S.S.).
 (2) CMU IS APPLICABLE AT SIDES ONLY (NOT APPLICABLE AT HEAD OR SILL).



SEE "CORNER-CONSTRUCTION" DESCRIPTION ON THIS SHEET

EXTERIOR ELEVATION: DOUBLE RECTANGULAR DOOR

SCALE: 1/2" = 1'-0"



EXTERIOR ELEVATION: SINGLE RECTANGULAR DOOR

SCALE: 1/2" = 1'-0"

ALLOWABLE DESIGN PRESSURE (ALL DOORS CONDITIONS)
 +/-70 PSF

HINGE TABLE

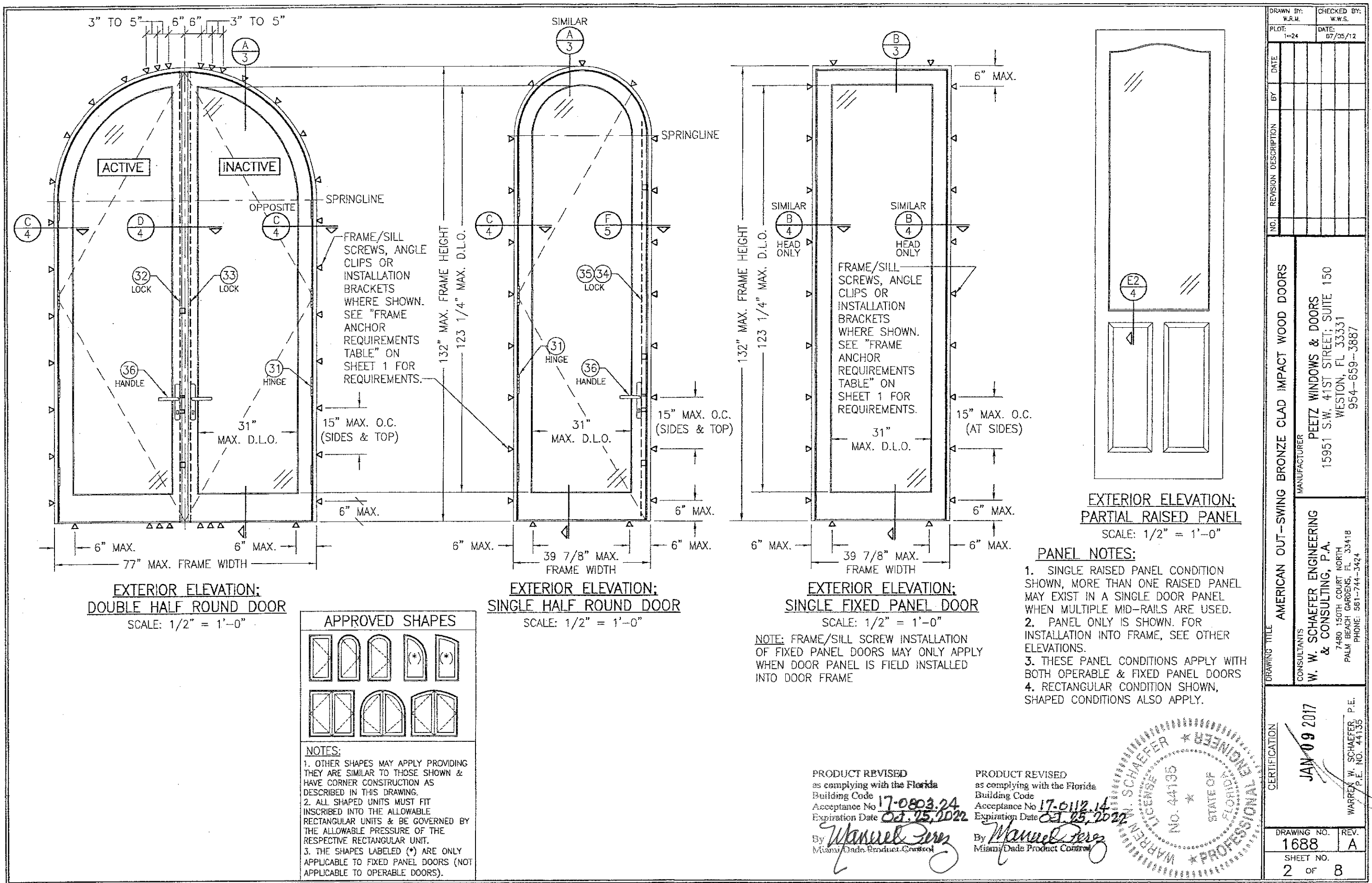
DOOR SHAPE	HINGE REQUIREMENTS
HALF-ROUND TOP	CENTERLINE OF HINGES SHALL BE LOCATED 8" FROM BOTTOM OF DOOR PANEL, 2 3/4" FROM SPRINGLINE AND MAX. 28 1/2" O.C. BETWEEN.
ALL OTHER SHAPES	CENTERLINE OF HINGES SHALL BE LOCATED 8" FROM TOP & BOTTOM OF DOOR PANEL CORNERS AND MAX. 28 1/2" O.C. BETWEEN.

PRODUCT REVISED as complying with the Florida Building Code
 Acceptance No. 17-0112-14
 Expiration Date Oct. 25, 2022
 By *Manuel Perez*
 Miami/Dade Product Control

PRODUCT REVISED as complying with the Florida Building Code
 Acceptance No. 17-0803-24
 Expiration Date Oct. 25, 2022
 By *Manuel Perez*
 Miami/Dade Product Control

THESE DRAWINGS ARE APPLICABLE ONLY TO THE PRODUCT SPECIFIED. THEY MAY NOT BE USED FOR THE ASSEMBLY AND/OR INSTALLATION OF ANY OTHER PRODUCT NOR MAY THEY BE USED FOR RATIONAL AND/OR LOCAL APPROVAL OF ANY PRODUCT NOT PRODUCED BY THE MANUFACTURER STATED ON THESE DRAWINGS.

DRAWN BY: W.R.M.	CHECKED BY: W.R.M.
PLOT: 1=24	DATE: 07/05/12
DATE: 01/09/17	
BY: [Signature]	
REVISION DESCRIPTION: UPDATE TO CURRENT STANDARDS W.S.	
NO. AT	
AMERICAN OUT-SWING BRONZE CLAD IMPACT WOOD DOORS	
MANUFACTURER	
PEETZ WINDOWS & DOORS 15951 S.W. 41ST STREET, SUITE 150 WESTON, FL 33331 954-659-3887	
CONSULTANTS	
W. W. SCHAEFER ENGINEERING & CONSULTING, P.A. 7480 150TH COURT NORTH PALM BEACH GARDENS, FL 33418 PHONE: 561-744-3424	
DRAWING TITLE	
AMERICAN OUT-SWING BRONZE CLAD IMPACT WOOD DOORS	
CERTIFICATION	
JAN 09 2017	
WARREN W. SCHAEFER, P.E. WARREN W. SCHAEFER, P.E. NO. 44135	
DRAWING NO. 1688	REV. A
SHEET NO. 1 OF 8	



DRAWN BY: W.R.M.		CHECKED BY: W.W.S.	
PLOT: 1=24		DATE: 07/05/12	
NO.	REVISION DESCRIPTION	BY	DATE
DRAWING TITLE AMERICAN OUT-SWING BRONZE CLAD IMPACT WOOD DOORS			
CONSULTANT W. W. SCHAEFER ENGINEERING & CONSULTING, P.A. 7480 150TH COURT NORTH PALM BEACH GARDENS, FL 33418 PHONE: 561-744-3424			
MANUFACTURER PEETZ WINDOWS & DOORS 15951 S.W. 41ST STREET, SUITE 150 WESTON, FL 33331 954-659-3887			
CERTIFICATION JAN 09 2017 WARREN W. SCHAEFER P.E. NO. 44135 STATE OF FLORIDA PROFESSIONAL ENGINEER			
DRAWING NO. 1688		REV. A	
SHEET NO. 2 OF 8			

APPROVED SHAPES

NOTES:

- OTHER SHAPES MAY APPLY PROVIDING THEY ARE SIMILAR TO THOSE SHOWN & HAVE CORNER CONSTRUCTION AS DESCRIBED IN THIS DRAWING.
- ALL SHAPED UNITS MUST FIT INSCRIBED INTO THE ALLOWABLE RECTANGULAR UNITS & BE GOVERNED BY THE ALLOWABLE PRESSURE OF THE RESPECTIVE RECTANGULAR UNIT.
- THE SHAPES LABELED (*) ARE ONLY APPLICABLE TO FIXED PANEL DOORS (NOT APPLICABLE TO OPERABLE DOORS).

EXTERIOR ELEVATION: SINGLE FIXED PANEL DOOR
SCALE: 1/2" = 1'-0"

NOTE: FRAME/SILL SCREW INSTALLATION OF FIXED PANEL DOORS MAY ONLY APPLY WHEN DOOR PANEL IS FIELD INSTALLED INTO DOOR FRAME

PRODUCT REVISED as complying with the Florida Building Code
Acceptance No **17-0803.24**
Expiration Date **02.15.2022**
By **Manuel Perez**
Miami Dade Product Control

PRODUCT REVISED as complying with the Florida Building Code
Acceptance No **17-0112.14**
Expiration Date **02.15.2022**
By **Manuel Perez**
Miami Dade Product Control

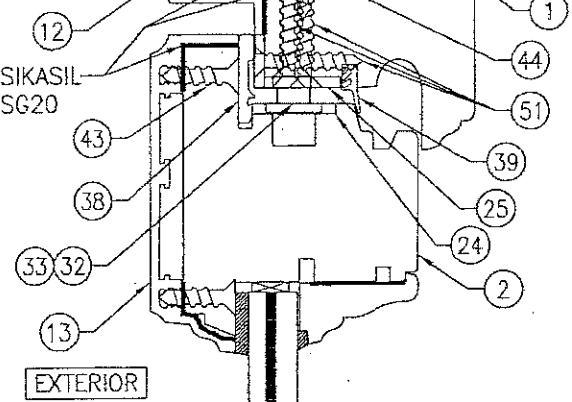
- PANEL NOTES:**
- SINGLE RAISED PANEL CONDITION SHOWN, MORE THAN ONE RAISED PANEL MAY EXIST IN A SINGLE DOOR PANEL WHEN MULTIPLE MID-RAILS ARE USED.
 - PANEL ONLY IS SHOWN. FOR INSTALLATION INTO FRAME, SEE OTHER ELEVATIONS.
 - THESE PANEL CONDITIONS APPLY WITH BOTH OPERABLE & FIXED PANEL DOORS
 - RECTANGULAR CONDITION SHOWN, SHAPED CONDITIONS ALSO APPLY.

SUBSTRATE BY OTHERS PER "FRAME ANCHOR REQUIREMENTS TABLE"

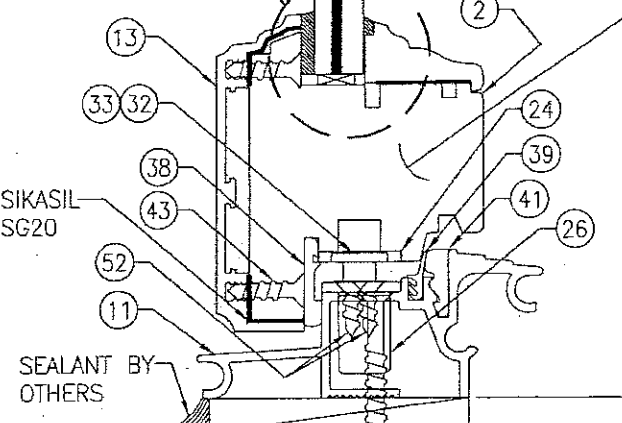
FRAME SCREW PER ELEVATION

3/8" MAX. SHIM AT EACH ANCHOR

SEALANT BY OTHERS



SEE GLAZING DETAILS ON SHEET 4



SUBSTRATE BY OTHERS PER "FRAME ANCHOR REQUIREMENTS TABLE"

SECTION A
SCALE: 1/2 FULL

FRAME SCREW MOUNT SHOWN. SEE DETAILS ON SHEETS 5 & 6 FOR ALTERNATE INSTALLATION DETAILS.

3/8" MAX. SHIM OR GROUT AT EACH ANCHOR

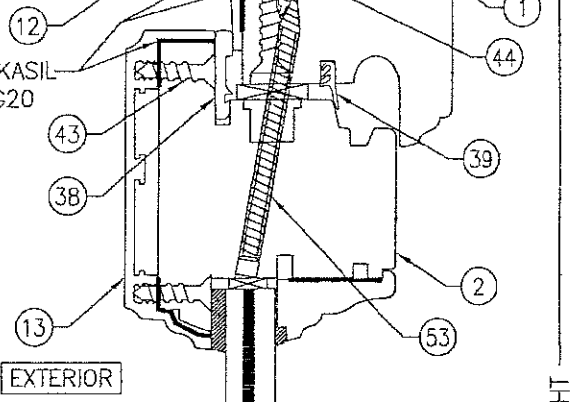
ALTERNATE BOTTOM RAIL SECTION
(FOR DETAIL NOT SHOWN, SEE SECTION A/3)

SUBSTRATE BY OTHERS PER "FRAME ANCHOR REQUIREMENTS TABLE"

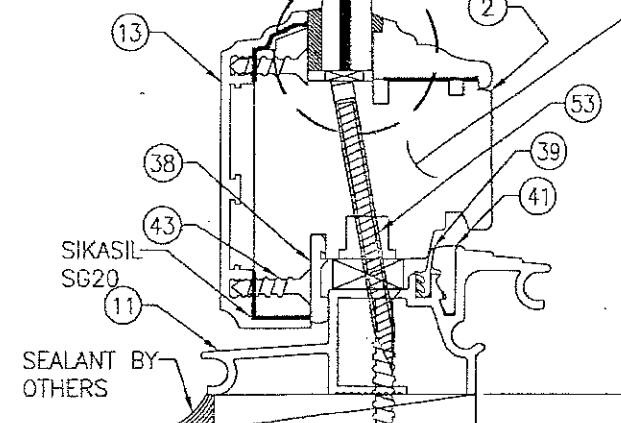
FRAME SCREW PER ELEVATION

3/8" MAX. SHIM AT EACH ANCHOR

SEALANT BY OTHERS



SEE GLAZING DETAILS ON SHEET 4



SUBSTRATE BY OTHERS PER "FRAME ANCHOR REQUIREMENTS TABLE"

SECTION B
SCALE: 1/2 FULL

FRAME SCREW MOUNT SHOWN. SEE DETAILS ON SHEETS 5 & 6 FOR ALTERNATE INSTALLATION DETAILS.

3/8" MAX. SHIM OR GROUT AT EACH ANCHOR

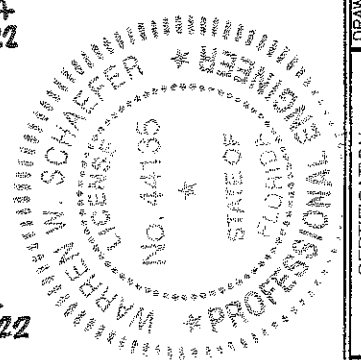
ALTERNATE BOTTOM RAIL SECTION
(FOR DETAIL NOT SHOWN, SEE SECTION B/3)

PRODUCT REVISED as complying with the Florida Building Code
Acceptance No. 17-0803.24
Expiration Date 03.25.2022

By *Manuel Perez*
Miami Dade Product Control

PRODUCT REVISED as complying with the Florida Building Code
Acceptance No. 17-0112.14
Expiration Date 03.25.2022

By *Manuel Perez*
Miami Dade Product Control



DRAWING NO. 1688	REV. A
	SHEET NO. 3 OF 8

DRAWING TITLE AMERICAN OUT-SWING BRONZE CLAD IMPACT WOOD DOORS	CONTRACT NO. 15951 S.W. 41ST STREET; SUITE 150
	MANUFACTURER PEETZ WINDOWS & DOORS

DRAWING NO. 1688	REV. A
	SHEET NO. 3 OF 8

DRAWING TITLE AMERICAN OUT-SWING BRONZE CLAD IMPACT WOOD DOORS	CONTRACT NO. 15951 S.W. 41ST STREET; SUITE 150
	MANUFACTURER PEETZ WINDOWS & DOORS

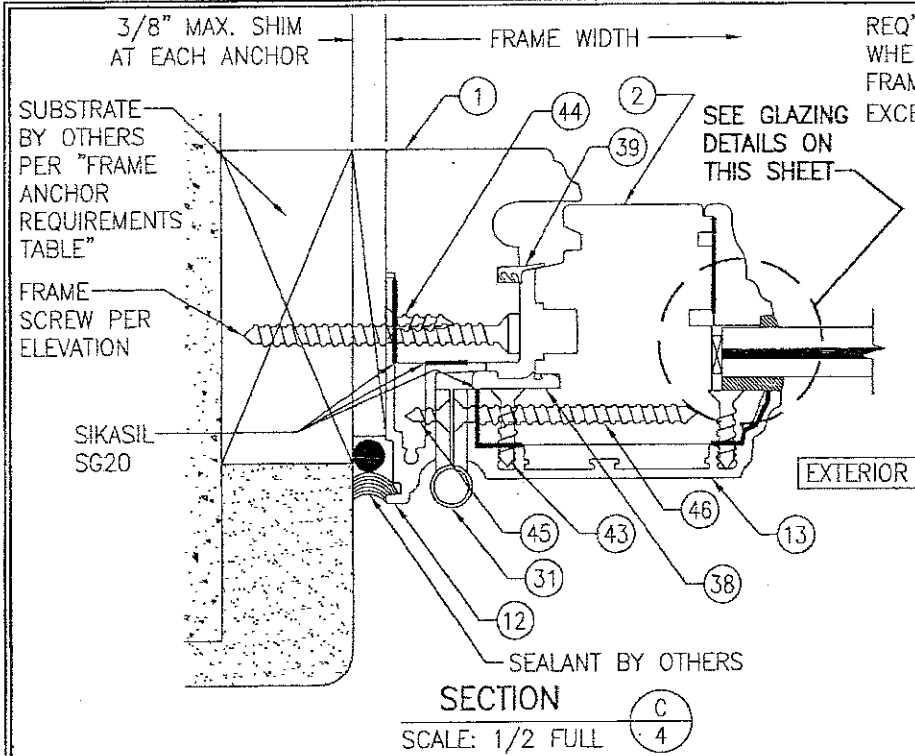
DRAWING NO. 1688	REV. A
	SHEET NO. 3 OF 8

DRAWING TITLE AMERICAN OUT-SWING BRONZE CLAD IMPACT WOOD DOORS	CONTRACT NO. 15951 S.W. 41ST STREET; SUITE 150
	MANUFACTURER PEETZ WINDOWS & DOORS

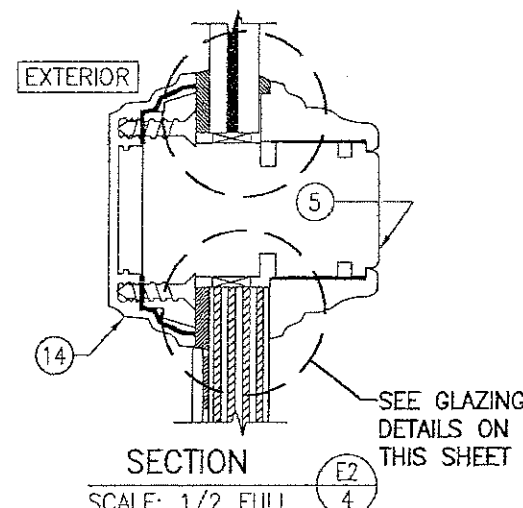
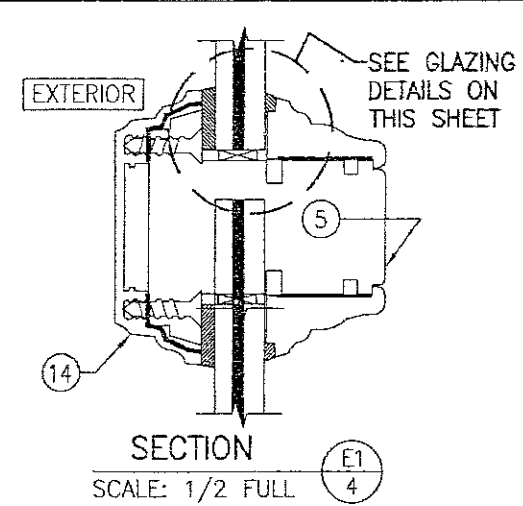
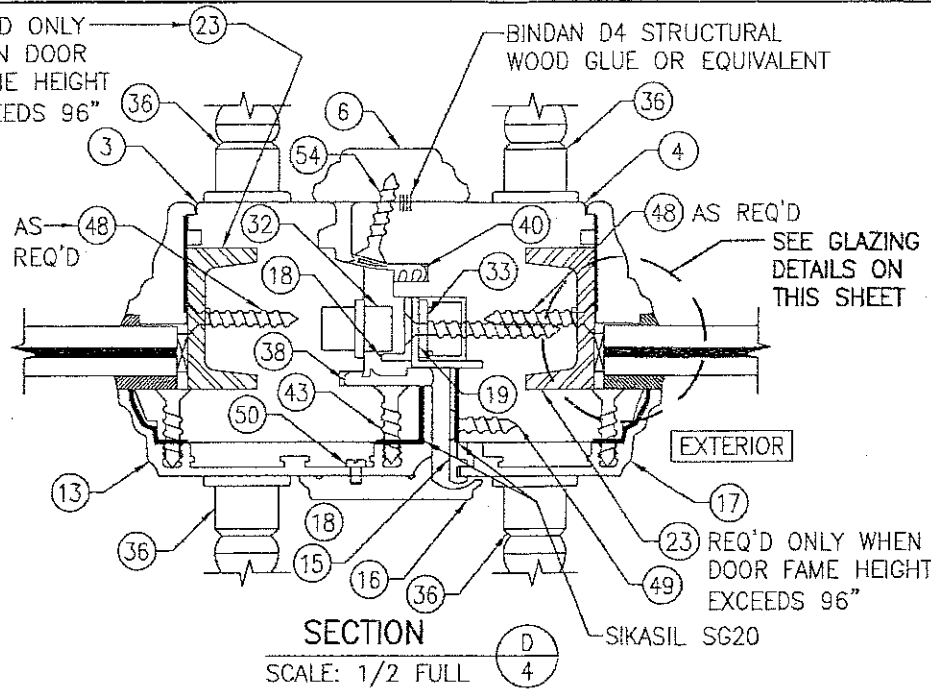
DRAWING NO. 1688	REV. A
	SHEET NO. 3 OF 8

DRAWING TITLE AMERICAN OUT-SWING BRONZE CLAD IMPACT WOOD DOORS	CONTRACT NO. 15951 S.W. 41ST STREET; SUITE 150
	MANUFACTURER PEETZ WINDOWS & DOORS

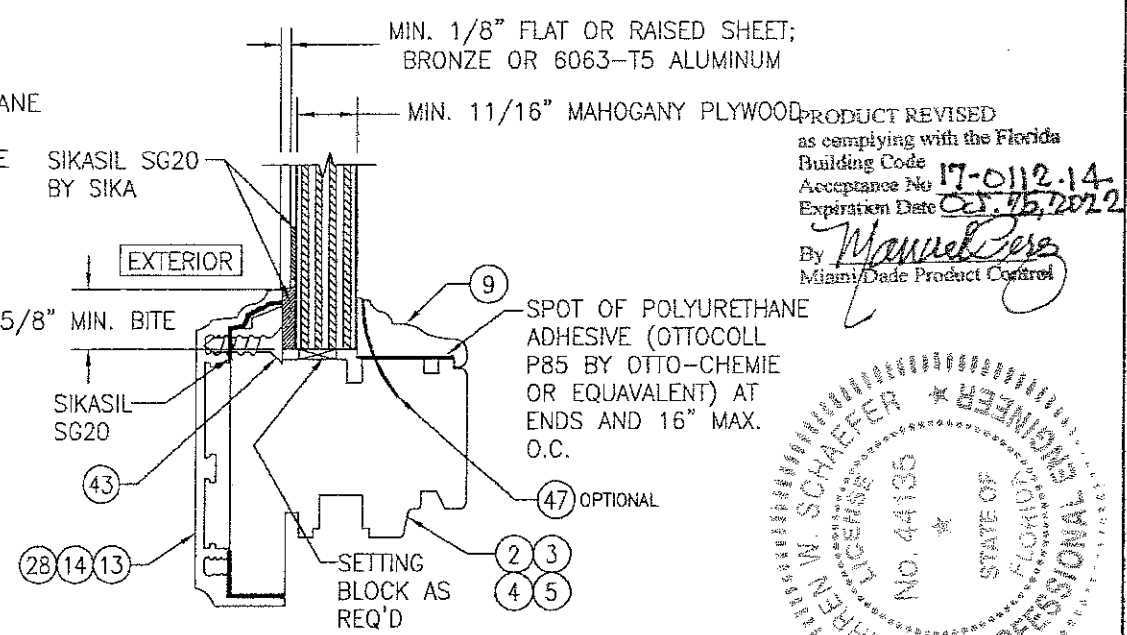
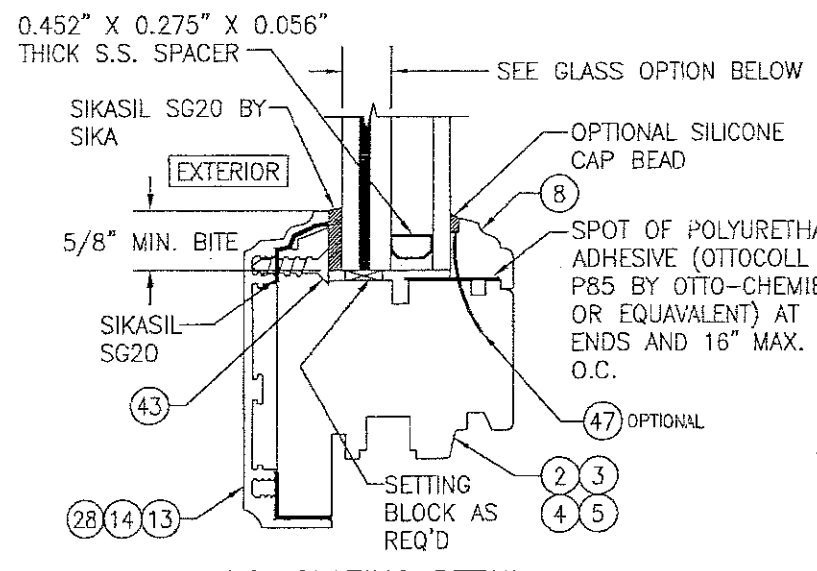
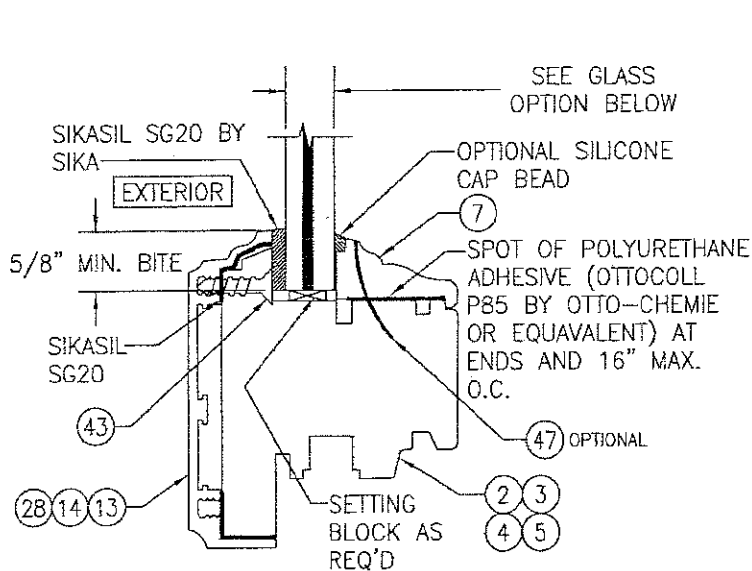
DRAWING NO. 1688	REV. A
	SHEET NO. 3 OF 8



FRAME SCREW MOUNT SHOWN. SEE DETAILS ON SHEET 5 FOR ALTERNATE INSTALLATION DETAILS.

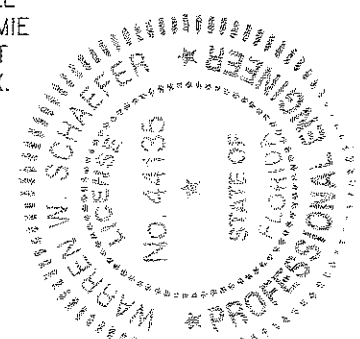


PRODUCT REVISED as complying with the Florida Building Code
 Acceptance No. 17-0803.24-
 Expiration Date OCT 25, 2022
 By Manuel Perez
 Miami Dade Product Control

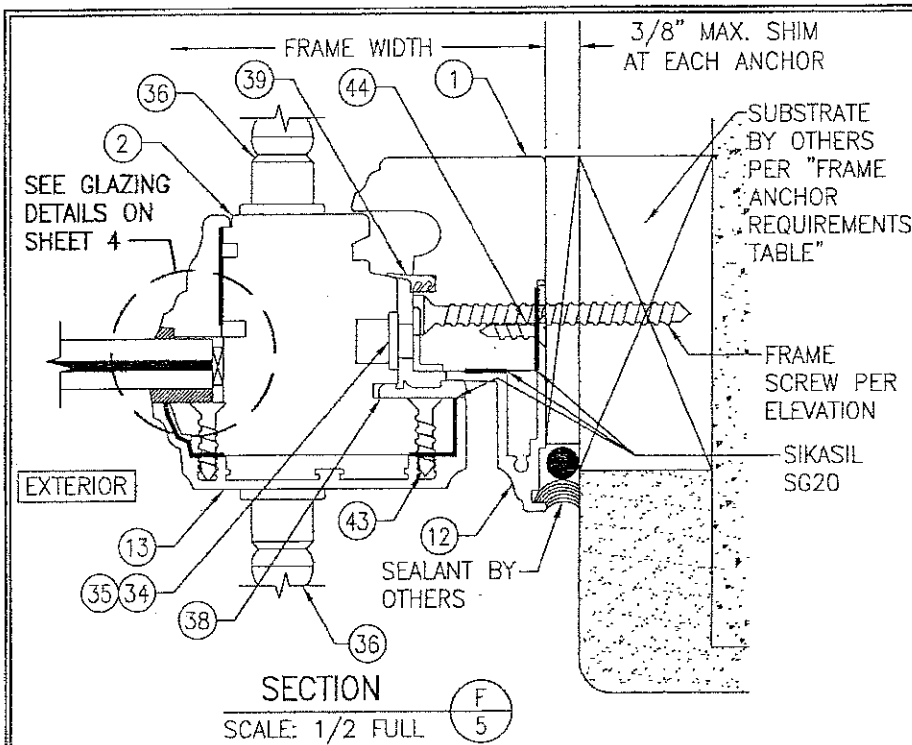


GLASS OPTION 1: 1/2" LAMINATED GLASS (3/16 AN./0.075 EASTMAN CHEM. CO. SAFLEX CP/1/4 AN.)
 NOTE: 3/16" THICK GLASS PANE IS AT EXTERIOR SIDE OF LAMINATED GLASS SECTION

GLASS OPTION 2: 1 3/16" LAMINATED I.G. (3/16 AN./0.075 EASTMAN CHEM. CO. SAFLEX CP/1/4 AN./1/2 AIR SPACE/3/16 TEMP. INTERIOR)
 NOTE: 3/16" THICK GLASS PANE IS AT EXTERIOR SIDE OF LAMINATED GLASS SECTION

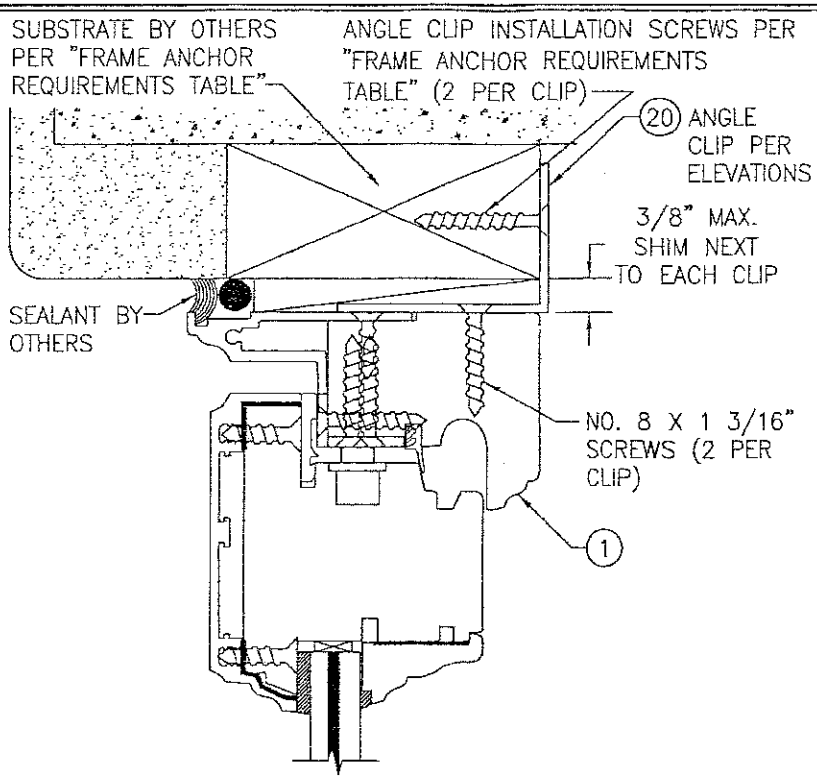


DRAWN BY: W.R.M.		CHECKED BY: W.W.S.	
PLOT: 1-2		DATE: 11/17/11	
NO.	REVISION DESCRIPTION	DATE	BY
1			
2			
DRAWING TITLE: AMERICAN OUT-SWING BRONZE CLAD IMPACT WOOD DOORS			
CONSULTANTS: W. W. SCHAEFER ENGINEERING & CONSULTING, P.A.		MANUFACTURER: PEETZ WINDOWS & DOORS	
7480 150TH COURT NORTH, PALM BEACH GARDENS, FL 33418		15951 S.W. 41ST STREET, SUITE 150, WESTON, FL 33331	
PHONE: 561-744-3424		954-659-3887	
CERTIFICATION: JAN 09 2017			
DRAWING NO. 1688		REV. A	
SHEET NO. 4 OF 8			

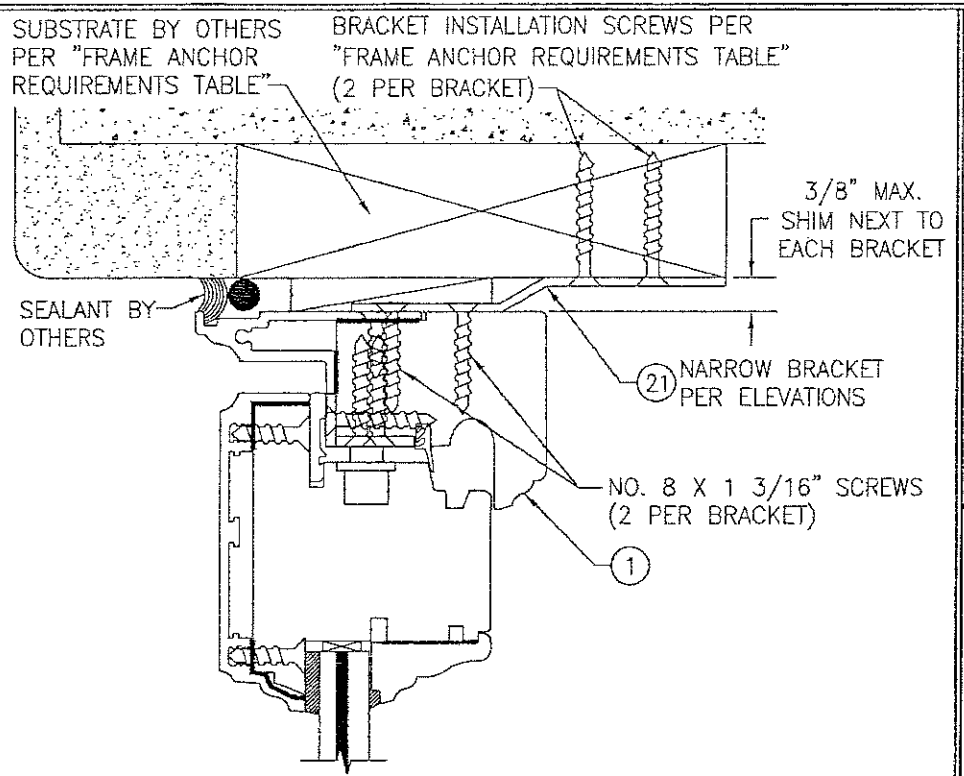


SECTION F
SCALE: 1/2 FULL

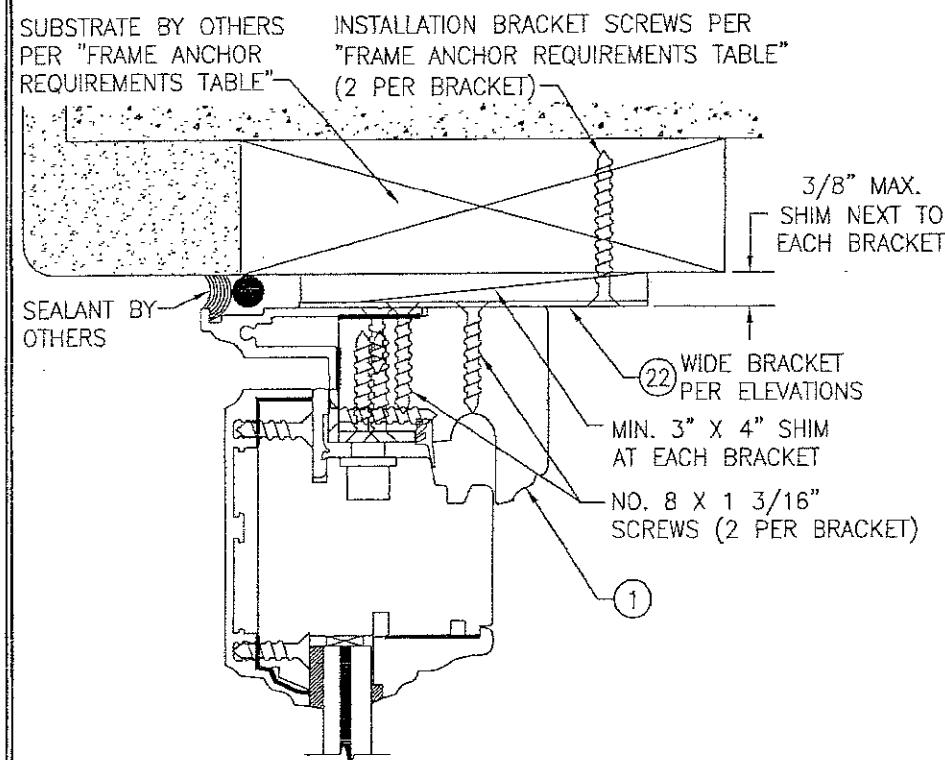
FRAME SCREW MOUNT SHOWN. SEE DETAILS ON THIS SHEET FOR ALTERNATE INSTALLATION DETAILS.



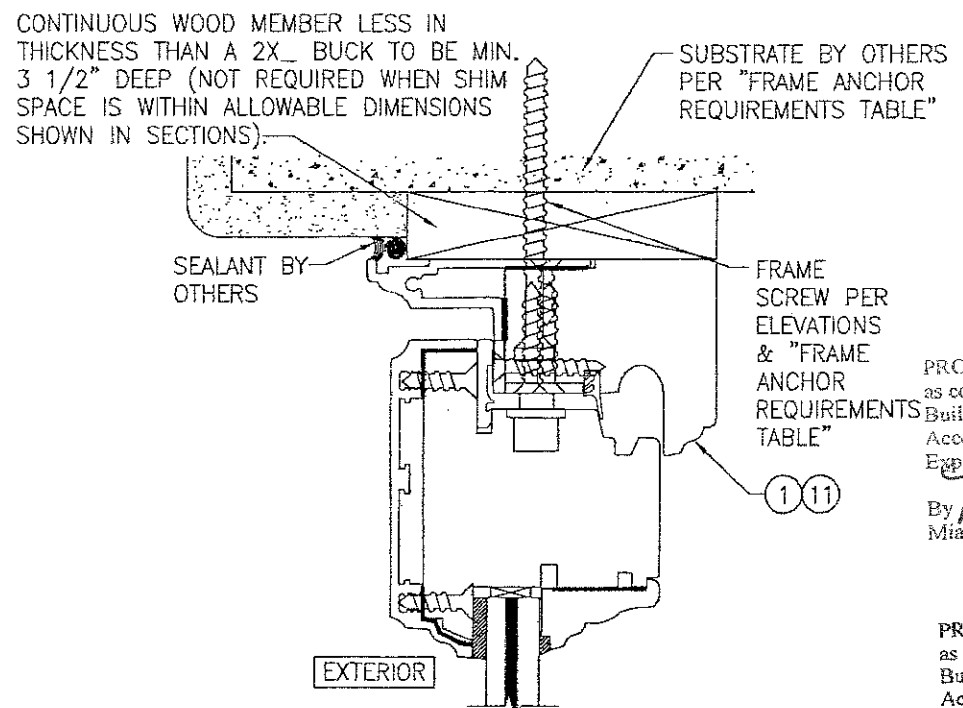
OPTIONAL ANGLE CLIP INSTALLATION DETAIL (HEAD & SIDES)
 (HEAD SECTION SHOWN; SIDES ARE INSTALLED THE SAME)
 (OPERABLE DOOR SECTION SHOWN; FIXED PANEL DOOR ALSO APPLIES)
 (FOR DETAIL NOT SHOWN, SEE OTHER SECTIONS)



OPTIONAL NARROW BRACKET INSTALLATION DETAIL (HEAD & SIDES)
 (HEAD SECTION SHOWN; SIDES ARE INSTALLED THE SAME)
 (OPERABLE DOOR SECTION SHOWN; FIXED PANEL DOOR ALSO APPLIES)
 (FOR DETAIL NOT SHOWN, SEE OTHER SECTIONS)



OPTIONAL WIDE BRACKET INSTALLATION DETAIL (HEAD & SIDES)
 (HEAD SECTION SHOWN; SIDES ARE INSTALLED THE SAME)
 (OPERABLE DOOR SECTION SHOWN; FIXED PANEL DOOR ALSO APPLIES)
 (FOR DETAIL NOT SHOWN, SEE OTHER SECTIONS)



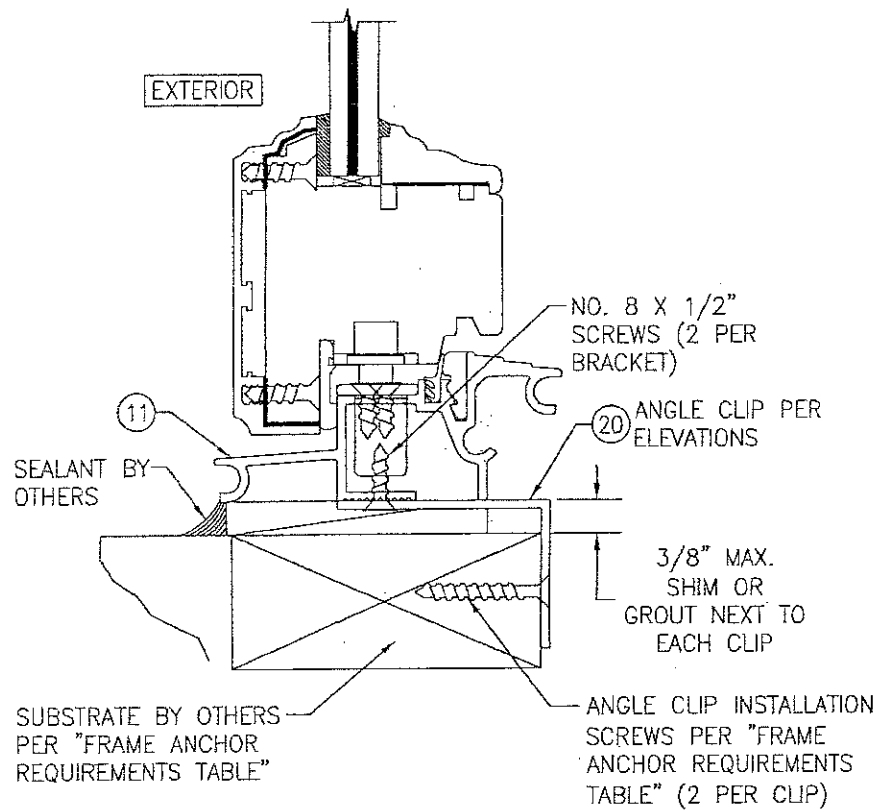
OPTIONAL DIRECT MOUNT DETAIL TO SUBSTRATE WITH SPACER
 (HEAD SECTION SHOWN; SILL & SIDES ARE INSTALLED THE SAME)
 (OPERABLE DOOR SECTION SHOWN; FIXED PANEL DOOR DOES NOT APPLY)
 (FOR DETAIL NOT SHOWN, SEE OTHER SECTIONS)

PRODUCT REVISED as complying with the Florida Building Code
 Acceptance No. 17-0803.24
 Expiration Date Oct. 25, 2022
 By *Manuel Perez*
 Miami Dade Product Control

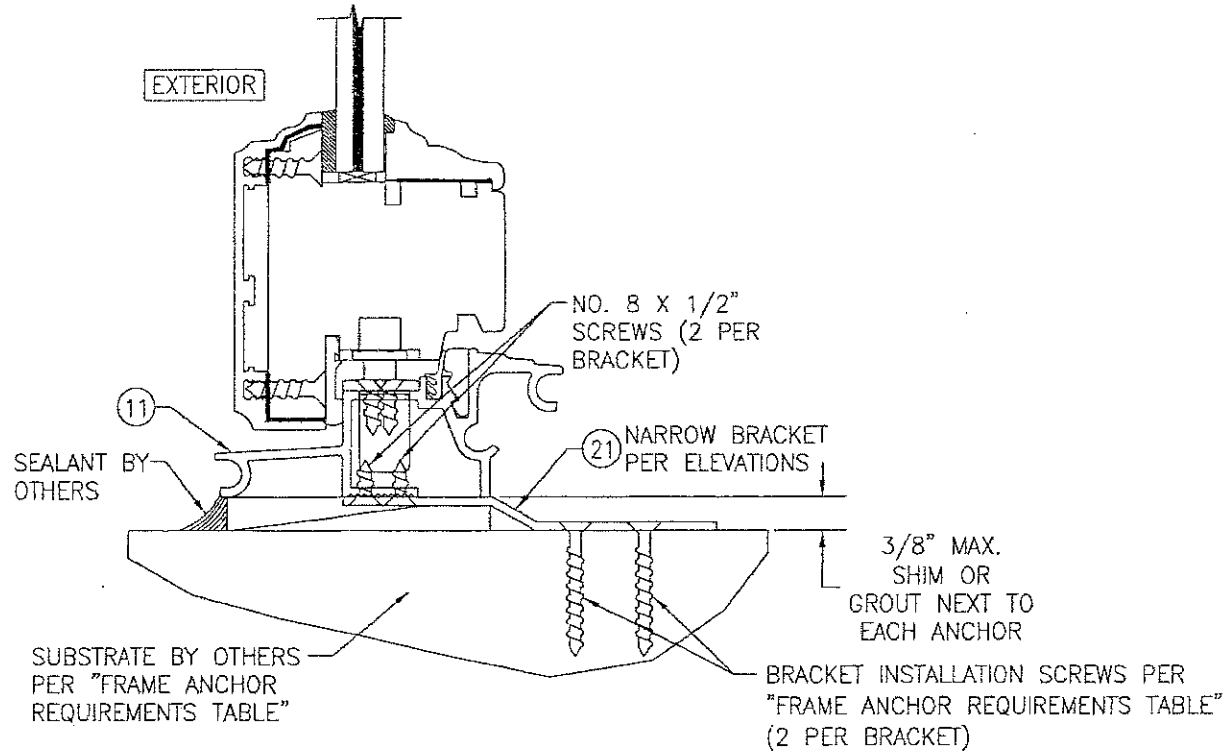
PRODUCT REVISED as complying with the Florida Building Code
 Acceptance No. 17-0118.14
 Expiration Date Oct. 25, 2022
 By *Manuel Perez*
 Miami Dade Product Control



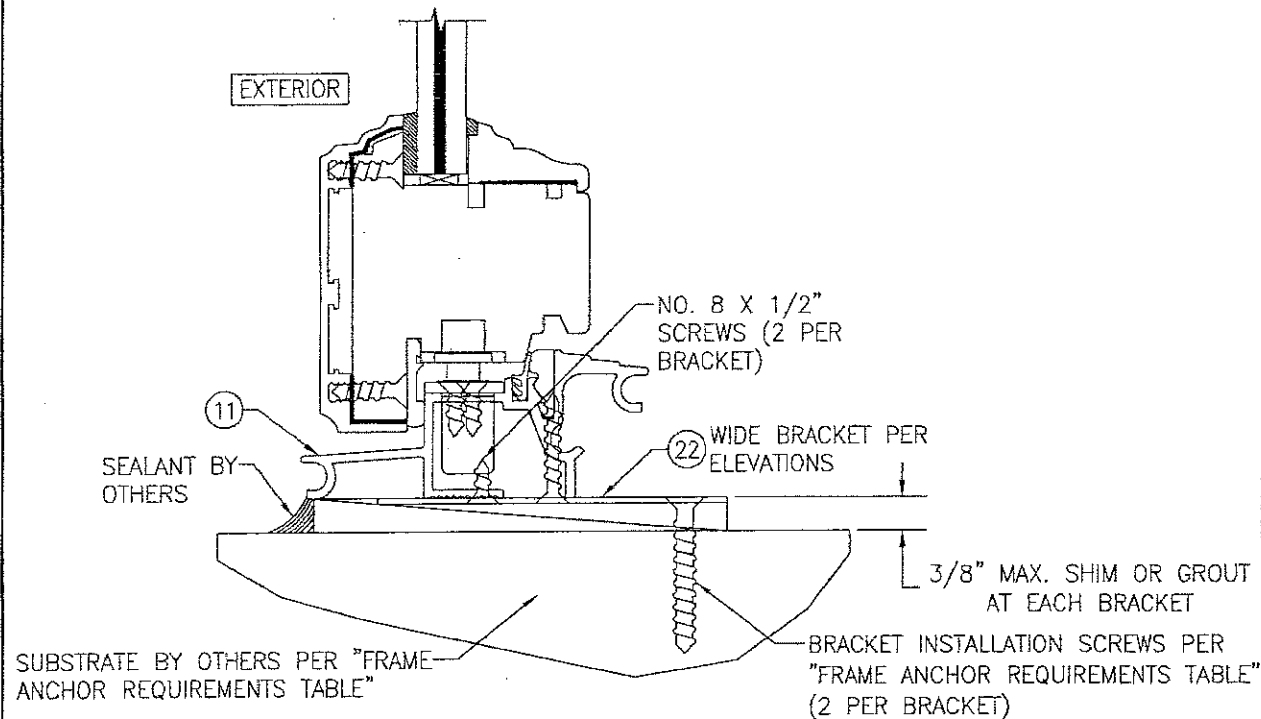
DRAWN BY: W.R.M.	CHECKED BY: W.W.S.
PLOT: 1-2	DATE: 11/17/11
DATE	
BY	
REVISION DESCRIPTION	
NO.	
DRAWING TITLE: AMERICAN OUT-SWING BRONZE CLAD IMPACT WOOD DOORS	
CONSULTANTS	MANUFACTURER
W. W. SCHAEFER ENGINEERING & CONSULTING, P.A.	PEETZ WINDOWS & DOORS
7480 150TH COURT NORTH PALM BEACH GARDENS, FL 33418 PHONE: 561-744-3424	15951 S.W. 41ST STREET, SUITE 150 WESTON, FL 33331 954-659-3887
CERTIFICATION	
JAN 09 2017	
WARREN W. SCHAEFER, P.E. P.E. NO. 44135	
DRAWING NO. 1688	REV. A
SHEET NO. 5	OF 8



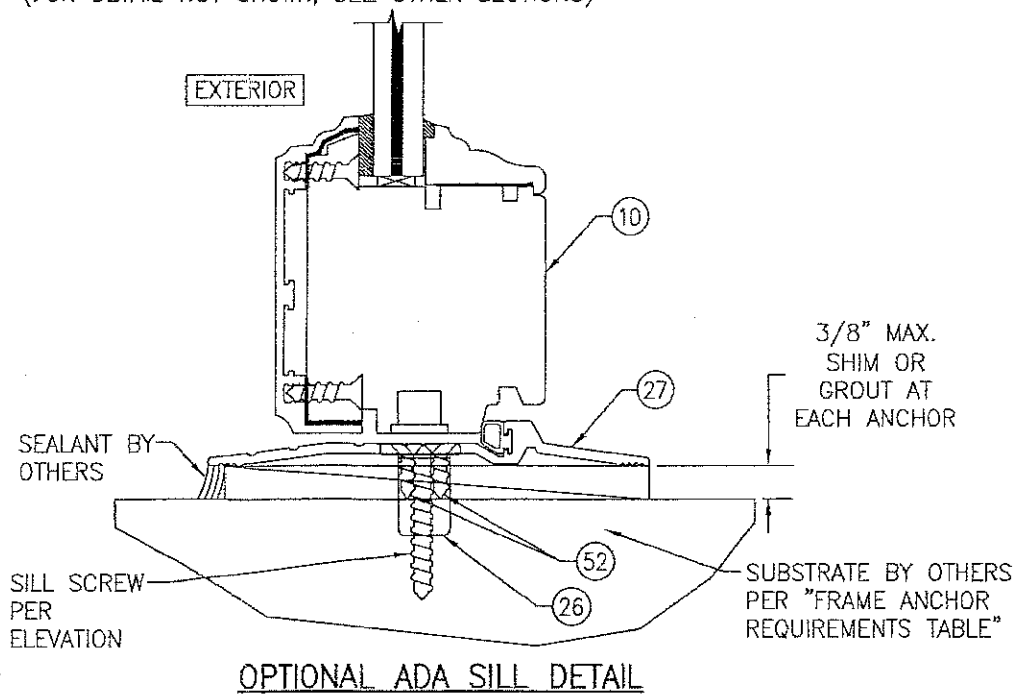
OPTIONAL ANGLE CLIP INSTALLATION DETAIL (SILL)
 (OPERABLE DOOR SECTION SHOWN; FIXED PANEL DOOR ALSO APPLIES)
 (FOR DETAIL NOT SHOWN, SEE OTHER SECTIONS)



OPTIONAL NARROW BRACKET INSTALLATION DETAIL (SILL)
 (OPERABLE DOOR SECTION SHOWN; FIXED PANEL DOOR ALSO APPLIES)
 (FOR DETAIL NOT SHOWN, SEE OTHER SECTIONS)



OPTIONAL WIDE BRACKET INSTALLATION DETAIL (SILL)
 (OPERABLE DOOR SECTION SHOWN; FIXED PANEL DOOR ALSO APPLIES)
 (FOR DETAIL NOT SHOWN, SEE OTHER SECTIONS)

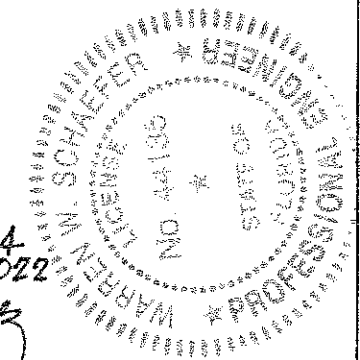


OPTIONAL ADA SILL DETAIL

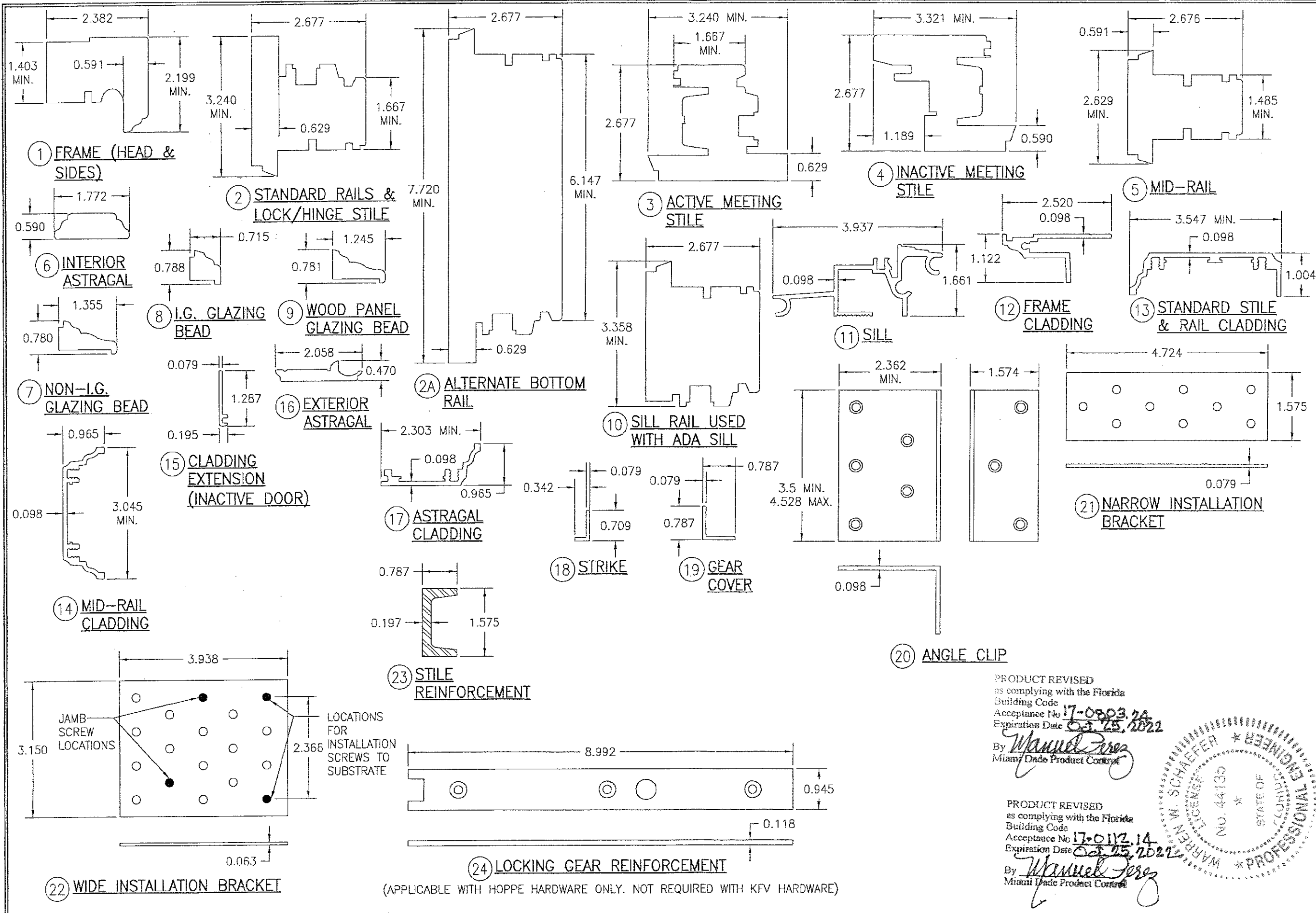
(*) THESE DOORS ARE NOT APPROVED FOR USE WHERE WATER INFILTRATION RESISTANCE IS REQUIRED BY THE DOOR. UNLESS UNITS ARE INSTALLED IN NON-HABITABLE AREAS WHERE THE UNIT & THE AREA ARE DESIGNED TO ACCEPT WATER INFILTRATION, UNITS SHALL BE INSTALLED ONLY AT LOCATIONS PROTECTED BY A CANOPY OR OVERHANG WHERE-BY THE OVERHANG(OH) RATIO IS EQUAL TO OR MORE THAN 1.0 PER FBC CHAPTER 24.

PRODUCT REVISED
 as complying with the Florida
 Building Code
 Acceptance No 17-0112-14
 Expiration Date OCT 25 2022
 By *Manuel Ferr*
 Miami Dade Product Control

PRODUCT REVISED
 as complying with the Florida
 Building Code
 Acceptance No 17-0803-24
 Expiration Date OCT 25 2022
 By *Manuel Ferr*
 Miami Dade Product Control



DRAWN BY: W.R.M.	CHECKED BY: W.W.S.
PLOT: 1=2	DATE: 11/17/11
NO.	REVISION DESCRIPTION
DATE	BY
DRAWING TITLE AMERICAN OUT-SWING BRONZE CLAD IMPACT WOOD DOORS	
CONSULTANTS W. W. SCHAEFER ENGINEERING & CONSULTING, P.A.	MANUFACTURER PEETZ WINDOWS & DOORS 15951 S.W. 41ST STREET, SUITE 150 WESTON, FL 33331 954-659-3887
CERTIFICATION JAN 09 2017	WARREN W. SCHAEFER, P.E. P.E. NO. 44135
DRAWING NO. 1688	REV. A
SHEET NO. 6 OF 8	



DRAWN BY: W.R.M.		CHECKED BY: W.W.S.	
PLOT: 1=2		DATE: 11/17/11	
NO.	REVISION DESCRIPTION	DATE	BY
DRAWING TITLE AMERICAN OUT-SWING BRONZE CLAD IMPACT WOOD DOORS			
CONSULTANTS W. W. SCHAEFER ENGINEERING & CONSULTING, P.A. 7480 150TH COURT NORTH PALM BEACH GARDENS, FL 33418 PHONE: 561-744-3424			
MANUFACTURER PEETZ WINDOWS & DOORS 15951 S.W. 41ST STREET, SUITE 150 WESTON, FL 33331 954-659-3887			
CERTIFICATION JAN 09 2017 WARREN W. SCHAEFER, P.E. P.E. NO. 44135			
DRAWING NO. 1688		REV. A	
SHEET NO. 7 OF 8			

PRODUCT REVISED
as complying with the Florida
Building Code
Acceptance No 17-0903.2A
Expiration Date 02.25.2022
By *Manuel Perez*
Miami Dade Product Control

PRODUCT REVISED
as complying with the Florida
Building Code
Acceptance No 17-0112.14
Expiration Date 02.25.2022
By *Manuel Perez*
Miami Dade Product Control

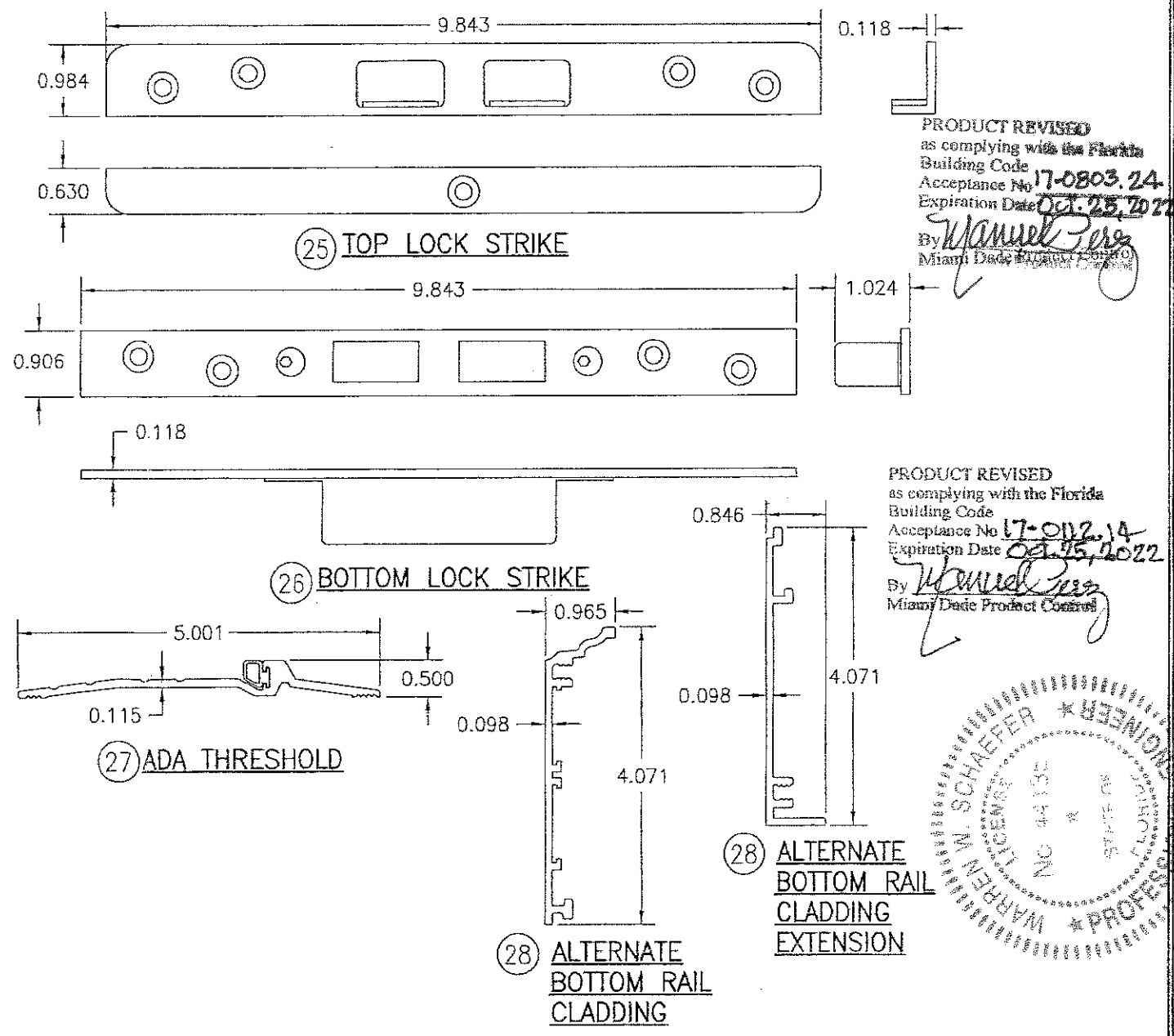


(APPLICABLE WITH HOPPE HARDWARE ONLY. NOT REQUIRED WITH KJV HARDWARE)

ITEM #	ITEM DESCRIPTION	MANUFACTURER/NOTES
PARTS		
1	FRAME (HEAD & SIDES)	WOOD
2	STANDARD RAILS (SILL RAIL USED WITH STANDARD SILL) & LOCK/HINGE STILE	WOOD
2A	ALTERNATE BOTTOM RAIL	WOOD
3	ACTIVE MEETING STILE	WOOD
4	INACTIVE MEETING STILE	WOOD
5	MID-RAIL	WOOD
6	INTERIOR ASTRAGAL	WOOD
7	NON-I.G. GLAZING BEAD	WOOD
8	I.G. GLAZING BEAD	WOOD
9	WOOD PANEL GLAZING BEAD	WOOD
10	SILL RAIL USED WITH ADA SILL	WOOD
11	SILL	BRONZE OR 6063-T5 ALUMINUM
12	FRAME CLADDING	BRONZE OR 6063-T5 ALUMINUM
13	STANDARD STILE & RAIL CLADDING	BRONZE OR 6063-T5 ALUMINUM
14	MID-RAIL CLADDING	BRONZE OR 6063-T5 ALUMINUM
15	SASH CLADDING EXTENSION (INACTIVE DOOR)	BRONZE OR 6063-T5 ALUMINUM
16	EXTERIOR CLADDING	BRONZE OR 6063-T5 ALUMINUM
17	ASTRAGAL CLADDING	BRONZE OR 6063-T5 ALUMINUM
18	STRIKE	BRONZE OR 6063-T5 ALUMINUM
19	GEAR COVER	BRONZE OR 6063-T5 ALUMINUM
20	ANGLE CLIP	GALVANIZED 34 KSI STEEL
21	NARROW INSTALLATION BRACKET	GALVANIZED 34 KSI STEEL
22	WIDE INSTALLATION BRACKET	GALVANIZED 34 KSI STEEL
23	STILE REINFORCEMENT	GALVANIZED 34 KSI STEEL REQ'D ONLY WHEN DOOR FRAME HEIGHT EXCEEDS 96"
24	LOCKING GEAR REINFORCEMENT	S.S. BY PEETZ REQ'D ONLY WITH HOPPE LOCK SYSTEM
25	TOP LOCK STRIKE	S.S. BY PEETZ
26	BOTTOM LOCK STRIKE	S.S. OR BRONZE BY PEETZ
27	ADA THRESHOLD	2005 PEMKO BRONZE
28	ALTERNATE BOTTOM RAIL CLADDING	BRONZE OR 6063-T5 ALUMINUM
29	ALTERNATE BOTTOM RAIL CLADDING EXTENSION	BRONZE OR 6063-T5 ALUMINUM
HARDWARE		
31	BUTT HINGE 8 9/16" LONG	BRASS, PLATED STEEL, OR S.S. BY BROS
32	5 POINT MULTI-POINT LOCK SYSTEM AT ACTIVE PANEL (DOUBLE DOOR CONDITION)	BY: KFK OR HOPPE TYPE: ROLLERBOLT/SHOOTBOLT/DEADBOLT
33	2 POINT MULTI-POINT LOCK SYSTEM AT INACTIVE PANEL	BY: KFK OR HOPPE TYPE: SHOOTBOLT
34	4 POINT MULTI-POINT LOCK SYSTEM (SINGLE DOOR; ALL HEIGHTS)	BY: KFK OR HOPPE TYPE: SHOOTBOLT/DEADBOLT
35	3 POINT MULTI-POINT LOCK SYSTEM (SINGLE DOOR WITH LESS THAN 120" FRAME HEIGHT)	BY: HOPPE TYPE: SHOOTBOLT/DEADBOLT
36	HANDLE	AS REQUIRED TO OPERATE LOCK SYSTEM
SEALS & SEALANTS		
38	COMPRESSION SEAL	SCHLEGEL QL3097 URETHANE
39	WEATHERSTRIP	GTG EPDM
40	WEATHERSTRIP	HAUTAU EPDM HD25
41	COMPRESSION SEAL	SCHLEGEL QL3063 URETHANE

ITEM #	ITEM DESCRIPTION	MANUFACTURER/NOTES
FASTENERS		
43	3/16" X 7/8" SELF TAPPING SCREW	WITHIN 5" OF CORNERS & 13 1/2" MAX. O.C.
44	NO. 8 X 13/16" SMS SCREW	WITHIN 5" OF CORNERS & 15" MAX. O.C.
45	M5 X 15mm SELF TAPPING SCREW	6 PER HINGE INTO FRAME CLADDING
46	3/16" X 2 3/4" WOOD SCREW	6 PER HINGE INTO SASH
47	18 GA. X 1 1/4" GALV. CURVED NAIL	WITHIN 10" OF CORNERS & 20" MAX. O.C.
48	NO. 8 X 1 3/8" WOOD SCREW	WITHIN 6" OF CORNERS & 14" MAX. O.C.
49	NO. 8 X 13/16" WOOD SCREW	WITHIN 2" OF ENDS & 12" MAX. O.C.
50	M5 X 8mm MACHINE SCREW	WITHIN 2" OF CORNERS & 9 1/2" MAX. O.C.
51	3/16" X 1 3/8" WOOD SCREW	5 PER TOP STRIKE PLATE
52	M5 X 15mm MACHINE SCREW	4 PER BOTTOM STRIKE PLATE
53	.295" X 3 1/4" AMO III GALVANIZED STEEL SCREW	WITHIN 5 1/2" OF CORNERS & 14" MAX. O.C.
54	NO. 8 X 1" WOOD SCREW	WITHIN 1" OF ENDS & 8" MAX. O.C.

NOTE: WOOD USED IN TESTING WAS MAHOGANY WITH A SPECIFIC GRAVITY OF G = 0.46 AND A MODULUS OF ELASTICITY OF E = 1,500,000 PSI. OTHER WOOD SPECIES APPLICABLE FOR USE WITH THIS PRODUCT ARE THOSE WITH A SPECIFIC GRAVITY OF 0.46 AND MODULUS OF ELASTICITY OF 1,500,000 PSI OR GREATER. ALL WOOD IS MINIMUM GRADE 2 MILLED BY PEETZ WINDOWS & DOORS TO SELECT.



DRAWN BY: W.R.M.	CHECKED BY: W.W.S.
DATE: 11/17/11	
PLOT: 1=2	
REVISION DESCRIPTION	
NO.	
DRAWING TITLE	
AMERICAN OUT-SWING BRONZE CLAD IMPACT WOOD DOORS	
CONSULTANTS	MANUFACTURER
W. W. SCHAEFER ENGINEERING & CONSULTING, P.A.	PEETZ WINDOWS & DOORS
7480 160TH COURT NORTH PALM BEACH GARDENS, FL 33418 PHONE: 561-744-3424	15951 S.W. 41ST STREET, SUITE 150 WESTON, FL 33331 954-659-3687
CERTIFICATION	
JAN 09 2017	
DRAWING NO.	REV.
1688	A
SHEET NO.	
8	OF 8