



DEPARTMENT OF REGULATORY AND ECONOMIC RESOURCES (RER)
 BOARD AND CODE ADMINISTRATION DIVISION
NOTICE OF ACCEPTANCE (NOA)

MIAMI-DADE COUNTY
 PRODUCT CONTROL SECTION
 11805 SW 26 Street, Room 208
 Miami, Florida 33175-2474
 T (786) 315-2590 F (786) 315-2599
www.miamidadecounty.gov/economy

Dryvit Systems, Inc.
One Energy Way
West Warwick, RI 02893

SCOPE:

This NOA is being issued under the applicable rules and regulations governing the use of construction materials. The documentation submitted has been reviewed and accepted by Miami-Dade County RER-Product Control Section to be used in Miami Dade County and other areas where allowed by the Authority Having Jurisdiction (AHJ).

This NOA shall not be valid after the expiration date stated below. The Miami-Dade County Product Control Section (In Miami Dade County) and/or the AHJ (in areas other than Miami Dade County) reserve the right to have this product or material tested for quality assurance purposes. If this product or material fails to perform in the accepted manner, the manufacturer will incur the expense of such testing and the AHJ may immediately revoke, modify, or suspend the use of such product or material within their jurisdiction. RER reserves the right to revoke this acceptance, if it is determined by Miami-Dade County Product Control Section that this product or material fails to meet the requirements of the applicable building code.

This product is approved as described herein, and has been designed to comply with the Florida Building Code, including the High Velocity Hurricane Zone.

DESCRIPTION: Dryvit Outsulation Plus MD EIF System over 5/8" 5-Ply Plywood Sheathing

APPROVAL DOCUMENT: Drawing No. **OPMDLSMPPLY**, titled "Outsulation® Plus MD System over 5/8" 5-Ply Plywood", sheets 1 through 3 of 3, dated 09/19/2016, prepared by Dryvit Systems, Inc., signed and sealed by Scott Wolters, P.E., bearing the Miami-Dade County Product Control revision stamp with the Notice of Acceptance number and expiration date by the Miami-Dade County Product Control Section.

MISSILE IMPACT RATING: Large and Small Missile Impact Resistant.

LABELING: Each unit shall bear a permanent label with the manufacturer's name or logo, city, state and following statement: "Miami-Dade County Product Control Approved", unless otherwise noted herein. Each container (bucket or drum) needs to be labeled. Unit is further defined as each roll of reinforcing mesh.

RENEWAL of this NOA shall be considered after a renewal application has been filed and there has been no change in the applicable building code negatively affecting the performance of this product.

TERMINATION of this NOA will occur after the expiration date or if there has been a revision or change in the materials, use, and/or manufacture of the product or process. Misuse of this NOA as an endorsement of any product, for sales, advertising or any other purposes shall automatically terminate this NOA. Failure to comply with any section of this NOA shall be cause for termination and removal of NOA.

ADVERTISEMENT: The NOA number preceded by the words Miami-Dade County, Florida, and followed by the expiration date may be displayed in advertising literature. If any portion of the NOA is displayed, then it shall be done in its entirety.

INSPECTION: A copy of this entire NOA shall be provided to the user by the manufacturer or its distributors and shall be available for inspection at the job site at the request of the Building Official.

This NOA **revises NOA #17-0112.05** and consists of this page 1 and evidence pages E-1 and E-2, as well as approval document mentioned above.

The submitted documentation was reviewed by **Carlos M. Utrera, P.E.**



[Handwritten Signature]
 11/01/2017

NOA No. 17-0807.19
 Expiration Date: March 2, 2022
 Approval Date: November 9, 2017
 Page 1

NOTICE OF ACCEPTANCE: EVIDENCE SUBMITTED

1. EVIDENCE SUBMITTED UNDER NOA #17-0112.05

A. DRAWINGS

1. Drawing No. **OPMDLSMPY**, titled “Outsulation® Plus MD System over 5/8” 5-Ply Plywood”, sheets 1 through 3 of 3, dated 09/19/2016, prepared by Dryvit Systems, Inc., signed and sealed by Scott Wolters, P.E.

B. TESTS

1. Test reports on 1) Uniform Static Air Pressure Test, Loading per FBC TAS 202-94
2) Cyclic Wind Pressure Loading per FBC, TAS 203-94
along with marked-up drawings and installation diagram of Dryvit Outsulation Plus MD Systems over 5/8” Plywood Sheathing, prepared by Intertek/ATI, Test Report No. **G1213.01-550-18**, dated 10/28/2016, signed and sealed by Justin P. McDonald, P.E.

C. CALCULATIONS

1. Anchor verification calculations prepared by Wolters Engineering, dated 12/09/2016, signed and sealed by Scott Wolters, P.E.

D. QUALITY ASSURANCE

1. Miami-Dade Department of Regulatory and Economic Resources (RER)

E. MATERIAL CERTIFICATIONS

1. None.

F. STATEMENTS

1. Statement letter of code conformance to the 5th edition (2014) FBC issued by Wolters Engineering, dated 12/09/2016, signed and sealed by Scott Wolters, P.E.
2. Statement letter of no financial interest issued by Wolters Engineering, dated 12/09/2016, signed and sealed by Scott Wolters, P.E.



11/01/2017

Carlos M. Utrera, P.E.
Product Control Examiner
NOA No. 17-0807.19
Expiration Date: March 2, 2022
Approval Date: November 9, 2017

NOTICE OF ACCEPTANCE: EVIDENCE SUBMITTED

2. NEW EVIDENCE SUBMITTED

A. DRAWINGS

1. None.

B. TESTS

1. None.

C. CALCULATIONS

1. None.

D. QUALITY ASSURANCE

1. Miami-Dade Department of Regulatory and Economic Resources (RER)

E. MATERIAL CERTIFICATIONS

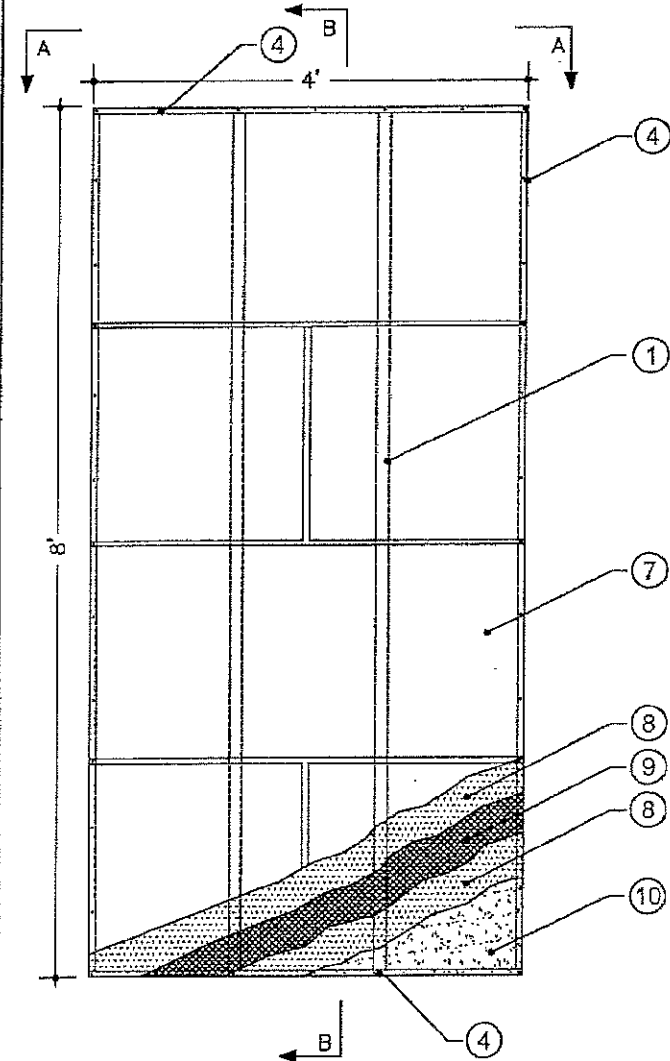
1. None.

F. STATEMENTS

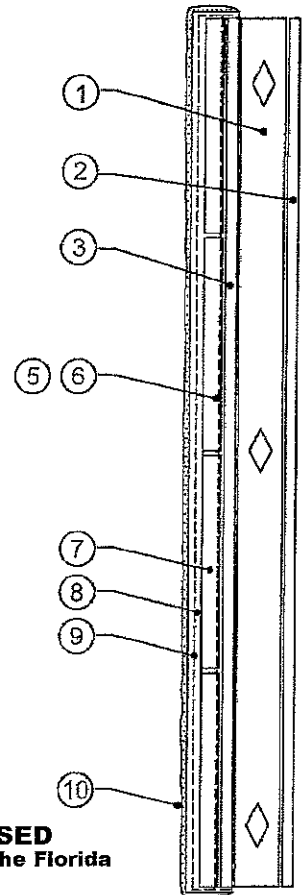
1. Statement letter of code conformance to the 6th Edition (2017) FBC issued by Wolters Engineering, dated 07/11/2017, signed and sealed by Scott Wolters, P.E.



Carlos M. Utrera, P.E.
Product Control Examiner
NOA No. 17-0807.19
Expiration Date: March 2, 2022
Approval Date: November 9, 2017



SECTION B-B

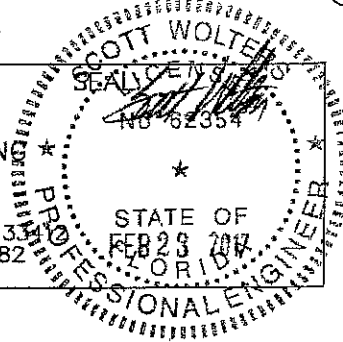


PRODUCT REVISED
as complying with the Florida
Building Code
NOA-No. 17-0807.19

Expiration Date **03/02/2022**

By *[Signature]*
Miami-Dade Product Control

SCOTT WOLTERS
FL PE# 62354
WOLTERS ENGINEERING
(COA# 27194)
15211 97th ROAD N
WEST PALM BEACH, FL 33410
PH/FAX: (561) 225-1982



MATERIAL LIST

- ① MINIMUM 3 5/8" X 1 5/8" X 18 GAUGE STEEL STUDS AT 16" O.C. - SEE NOTES 4 AND 7
- ② MINIMUM 1/2" GYPSUM SHEATHING
- ③ MINIMUM 5/8" 5PLY PLYWOOD,
- ④ MINIMUM NO. 6 X 1 1/4" SELF DRILLING SCREWS SPACED 6" O.C.
- ⑤ DRYVIT BACKSTOP® NT WATER AND AIR BARRIER.
- ⑥ ADHERE THE EXPANDED POLYSTYRENE INSULATION BOARD WITH DRYVIT'S PRIMUS MIXTURE OR GENESIS MIXTURE. PRIMUS® IS A 100 PERCENT POLYMER BASED PRODUCT AND GENESIS IS A FIBER REINFORCED 100 PERCENT ACRYLIC BASED PRODUCT. PRIMUS OR GENESIS ARE MIXED 1:1 BY WEIGHT WITH PORTLAND CEMENT AND WATER. THE ADHESIVE IS APPLIED WITH A 3/8" WIDE X 1/2" DEEP NOTCH TROWEL WITH NOTCHES SPACED A MAXIMUM OF 1 1/2" O.C. THE ADHESIVE SHALL BE APPLIED TO THE BACK OF THE INSULATION BOARD VERTICALLY.
- ⑦ MINIMUM 1" THICK INSULATION BOARD MEETING THE FBC SECTION 2612. INSULATION BOARD SUPPLIER SHALL POSSESS A CURRENT NOA WITH MIAMI-DADE COUNTY.
- ⑧ DRYVIT BASE COAT: PRIMUS, GENESIS OR GENESIS DM; PRIMUS OR GENESIS IS MIXED 1:1 BY WEIGHT WITH PORTLAND CEMENT AND WATER. PRIMUS AND GENESIS ARE 100 PERCENT POLYMER-BASED PRODUCTS. GENESIS DM IS A DRY MIX THAT IS MIXED WITH WATER.
- ⑨ DRYVIT STANDARD REINFORCING MESH: 4.3 OZ/SQ. YD FIBERGLASS REINFORCING MESH EMBEDDED IN THE DRYVIT BASE COAT. THE STANDARD REINFORCING MESH SHALL BE LAPPED A MINIMUM OF 2 1/2" AT ALL EDGES.
- ⑩ DRYVIT FINISH: A 100 PERCENT ACRYLIC BASED MATERIAL AVAILABLE IN VARIOUS TEXTURES.

GENERAL NOTES

- 1. THE SYSTEM HAS BEEN DESIGNED IN ACCORDANCE WITH THE LATEST EDITION OF THE FLORIDA BUILDING CODE INCLUDING THE LATEST SUPPLEMENTS.
- 2. THIS SYSTEM HAS BEEN TESTED IN ACCORDANCE WITH DADE COUNTY PROTOCOLS TAS-201, TAS-202, AND TAS-203 FOR LARGE MISSILE IMPACT, STRUCTURAL AND CYCLIC TESTING.
- 3. THIS SYSTEM SHALL BE APPLIED BY A LICENSED PLASTERING CONTRACTOR FOLLOWING THIS NOTICE OF ACCEPTANCE THE RECOMMENDATION OF DRYVIT SYSTEMS, INC. AND THE APPLICABLE SECTIONS OF THE FLORIDA BUILDING CODE.
- 4. THE ENGINEER AND/OR ARCHITECT OF RECORD FOR EACH PROJECT USING THIS SYSTEM SHALL SIZE ALL STUD FRAMING TO ENSURE CONFORMANCE WITH STUD DEFLECTION AND STRESS LIMITATIONS AS REQUIRED BY ALL GOVERNING CODES AND THIS DOCUMENT.
- 5. INSULATION BOARDS SHALL BE POSITIONED IN A RUNNING BOND PATTERN.
- 6. ALL STUDS USED WITH THIS SYSTEM SHALL BE COMPLETELY SHEATHED AT THE INTERIOR FLANGE OR BRIDGED AT A MAXIMUM OF EVERY 5' OF STUD LENGTH OR AS SPECIFIED BY THE STUD MANUFACTURER.
- 7. ALL STEEL STUDS SHALL BE STRUCTURAL WITH 1 5/8" MINIMUM FLANGE WIDTH AND HAVE A MINIMUM YIELD STRENGTH OF 33000 PSI.
- 8. DETAILS ON SHEET 2 AND 3 OF 3 ARE TYPICAL AND SHOW INTENT TO PREVENT WATER INFILTRATION INTO AND BEHIND THIS SYSTEM. ALTERNATE DETAILS AND SPECIFIC CONDITIONS NOT COVERED BY THE TYPICAL DETAILS ARE THE RESPONSIBILITY OF THE LICENSED DESIGN PROFESSIONALS IN CONSULTATION WITH DRYVIT SYSTEMS, INC.

DESIGN PRESSURE
±100 PSF

DRYVIT SYSTEMS, INC.		
One Energy Way West Warwick, Rhode Island		
DWG. NO.: OPMDL5MPLY		
SHEET NO: 1 OF 3	ISSUE DATE: 09/19/16	REV /
OUTSULATION @ PLUS MD SYSTEM OVER 5/8" 5PLY PLYWOOD		

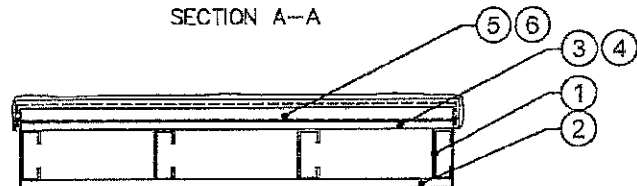
PRODUCT APPROVED
as complying with the Florida
Building Code

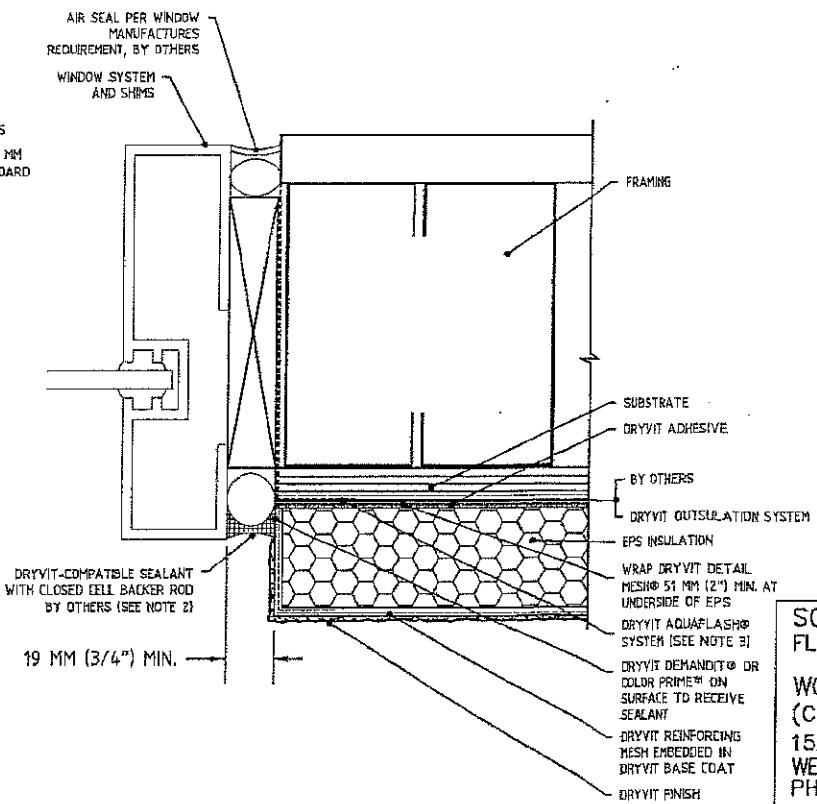
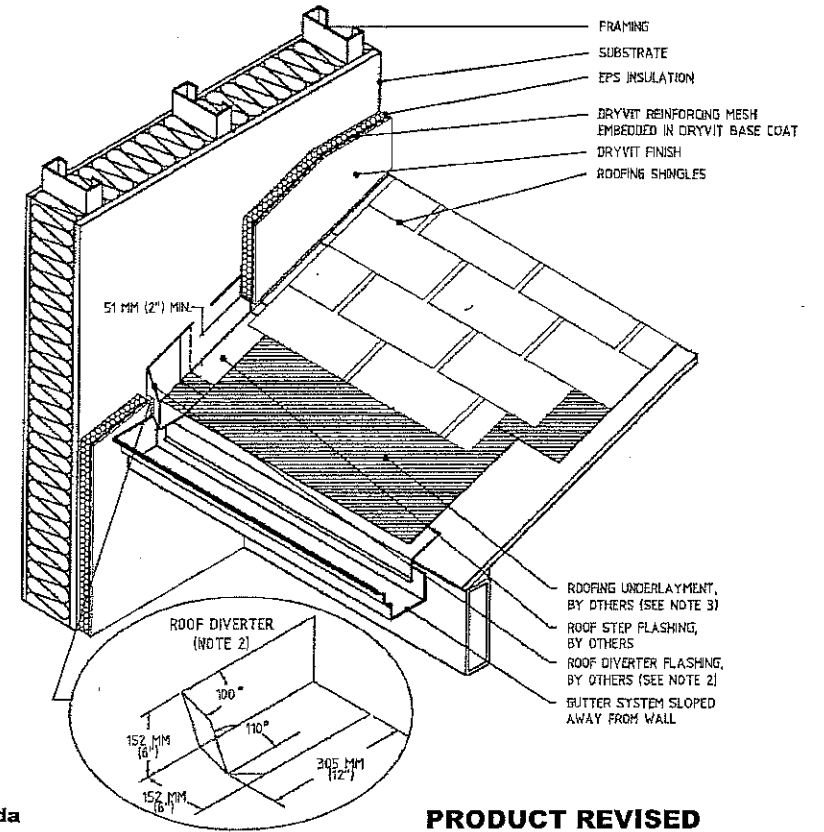
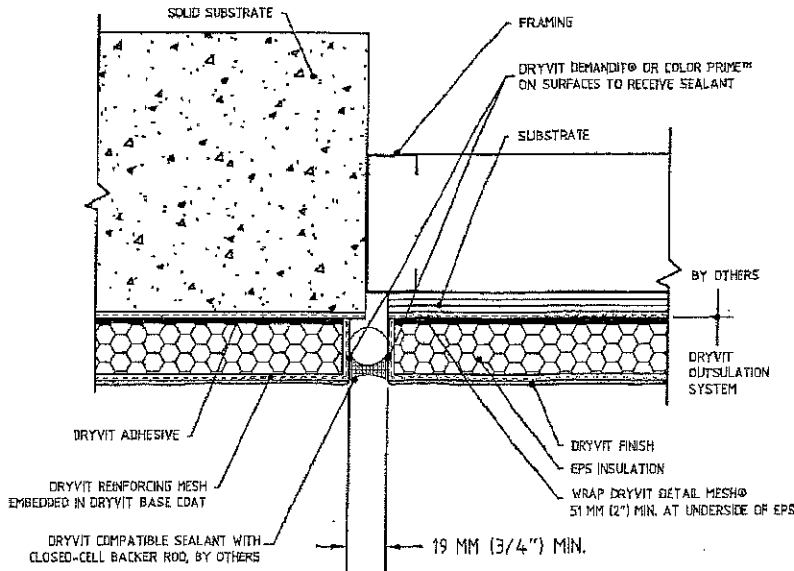
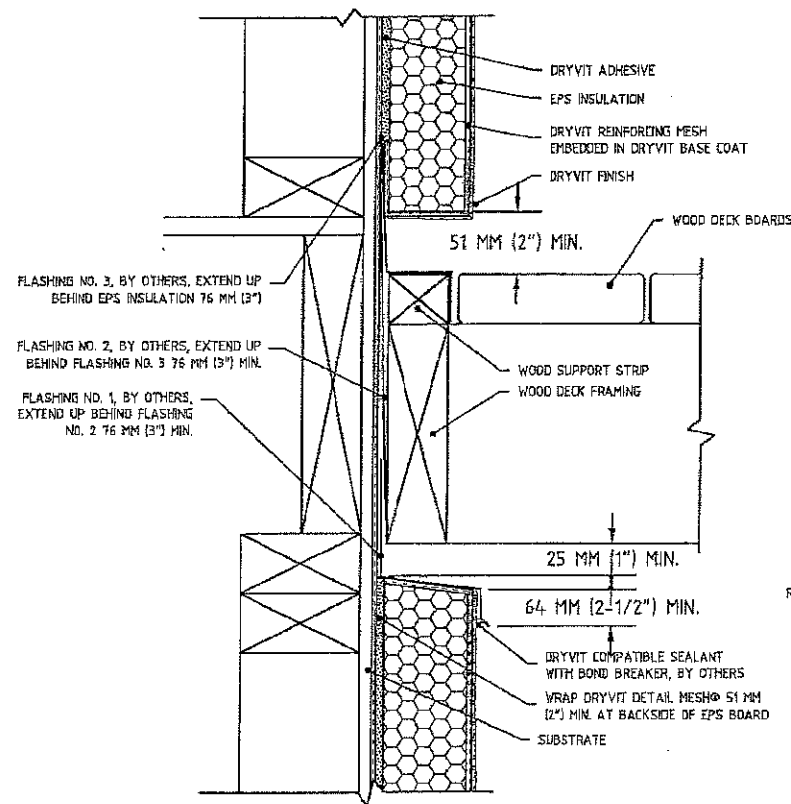
NOA-No. 17-0112.05

Approval Date **03/02/2017**

By *[Signature]*
Miami-Dade Product Control

SECTION A-A



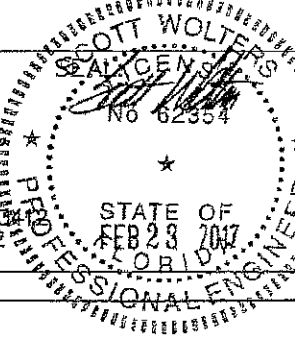


- Notes:**
1. Gap wood sheathing edge and end joints in accordance with APA (American Plywood Association) recommendations.
 2. Seal Penetrations through flashing where attached to framing
 3. Distance of EIFS to deck varies with climate. Allow sufficient distance to prevent snow/ice and puddling water against system.
 4. provide end dams where flashings terminate at ends of deck.
 5. Pressure treated wood (space from flashing or rout backside to provide drainage)

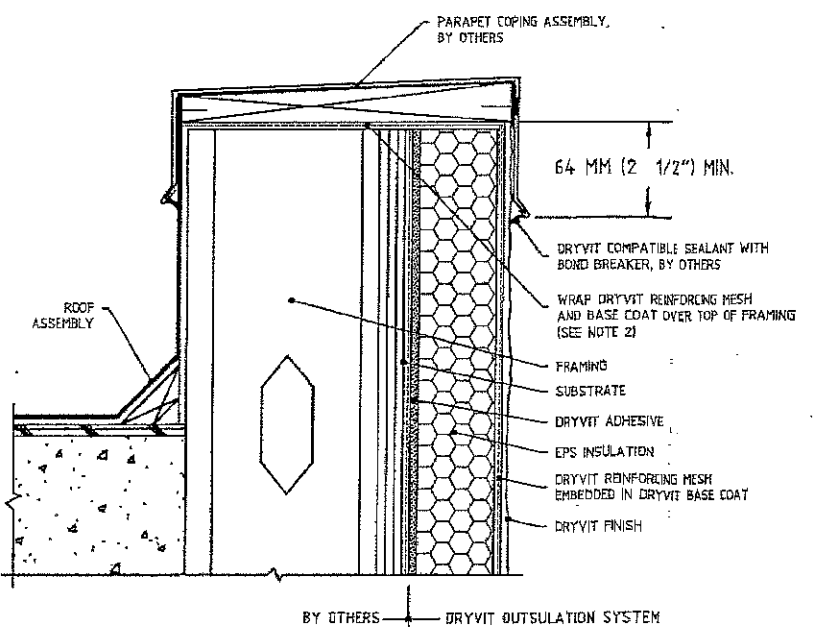
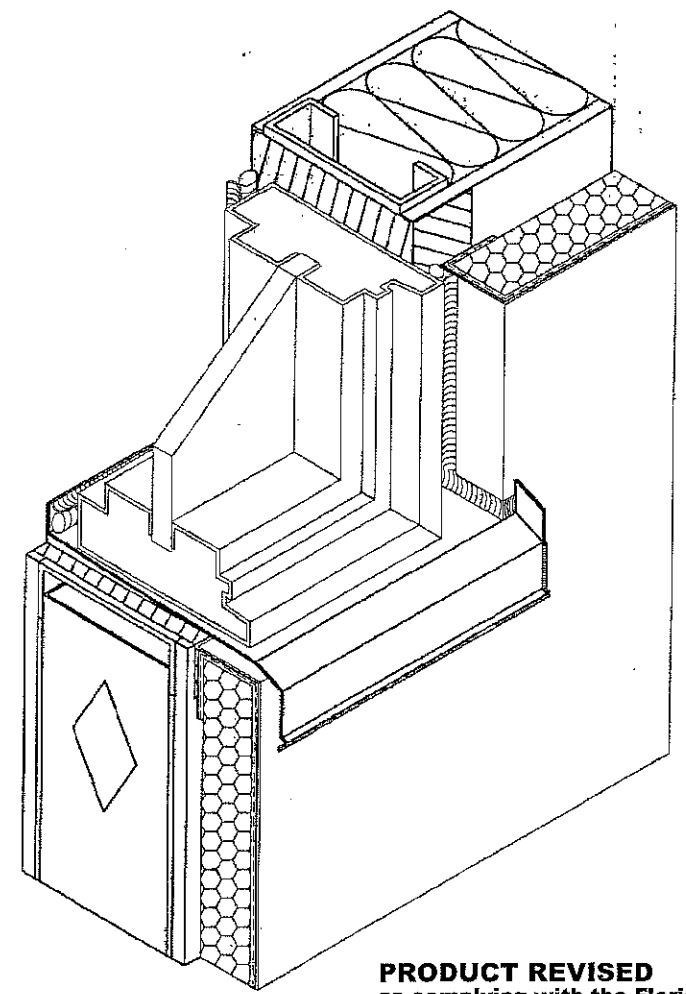
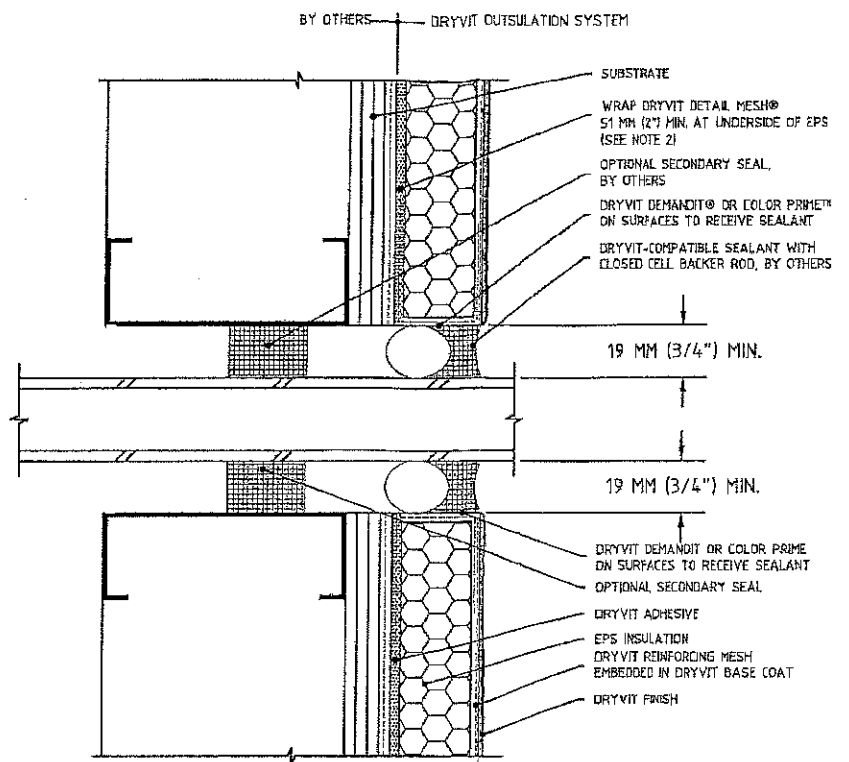
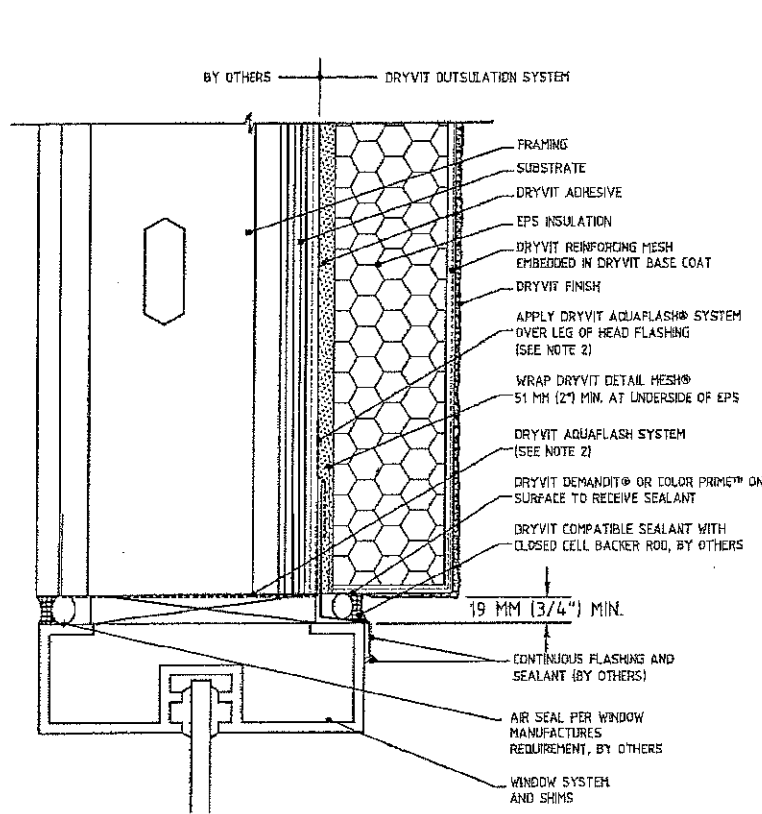
PRODUCT APPROVED
 as complying with the Florida
 Building Code
 NOA-No. **17-0112.05**
 Approval Date **03/02/2017**
 By *[Signature]*
 Miami Made Product Control

PRODUCT REVISED
 as complying with the Florida
 Building Code
 NOA-No. **17-0807.19**
 Expiration Date **03/02/2022**
 By *[Signature]*
 Miami Made Product Control

SCOTT WOLTERS
 FL PE# 62354
 WOLTERS ENGINEERING
 (COA# 27194)
 15211 97th ROAD N
 WEST PALM BEACH, FL 33410
 PH/FAX: (561) 225-1982



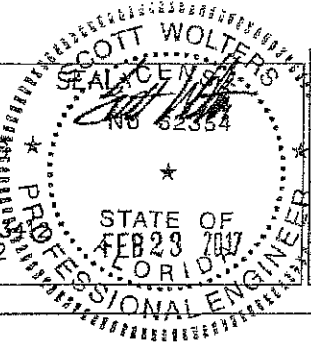
DRYVIT SYSTEMS, INC. One Energy Way West Warwick, Rhode Island		
DWG. NO.: OPMDLSPMLY		
SHEET NO: 2 OF 3	ISSUE DATE: 09/19/16	REV /
OUTSULATION © PLUS MD SYSTEM OVER 5 PLY PLYWOOD		



PRODUCT APPROVED
 as complying with the Florida
 Building Code
 NOA-No. 17-0112.05
 Approval Date, 03/02/2017
 By *[Signature]*
 Miami-Dade Product Control

PRODUCT REVISED
 as complying with the Florida
 Building Code
 NOA-No. 17-0807.19
 Expiration Date 03/02/2022
 By *[Signature]*
 Miami-Dade Product Control

SCOTT WOLTERS
 FL PE# 62354
 WOLTERS ENGINEERING
 (COA# 27194)
 15211 97th ROAD N
 WEST PALM BEACH, FL 33410
 PH/FAX: (561) 225-1982



DRYVIT SYSTEMS, INC. One Energy Way West Warwick, Rhode Island		
DWG. NO.: OPMDLSMPY		
SHEET NO: 3 OF 3	ISSUE DATE: 09/19/16	REV /
OUTSULATION® PLUS MD SYSTEM OVER 5PLY PLYWOOD		