



DEPARTMENT OF REGULATORY AND ECONOMIC RESOURCES (RER)
BOARD AND CODE ADMINISTRATION DIVISION

MIAMI-DADE COUNTY
PRODUCT CONTROL SECTION
11805 SW 26 Street, Room 208
T (786) 315-2590 F (786) 315-2599
www.miamidade.gov/economy

NOTICE OF ACCEPTANCE (NOA)

Labrador & Fundora Corporation dba V & V Windows
2355 W 4th Ave
Hialeah, FL 33010-1454

SCOPE:

This NOA is being issued under the applicable rules and regulations governing the use of construction materials. The documentation submitted has been reviewed and accepted by Miami-Dade County RER - Product Control Section to be used in Miami Dade County and other areas where allowed by the Authority Having Jurisdiction (AHJ).

This NOA shall not be valid after the expiration date stated below. The Miami-Dade County Product Control Section (In Miami Dade County) and/or the AHJ (in areas other than Miami Dade County) reserve the right to have this product or material tested for quality assurance purposes. If this product or material fails to perform in the accepted manner, the manufacturer will incur the expense of such testing and the AHJ may immediately revoke, modify, or suspend the use of such product or material within their jurisdiction. RER reserves the right to revoke this acceptance, if it is determined by Miami-Dade County Product Control Section that this product or material fails to meet the requirements of the applicable building code.

This product is approved as described herein, and has been designed to comply with the Florida Building Code, including the High Velocity Hurricane Zone.

DESCRIPTION: Series "450" Aluminum Fixed Window – L.M.I.

APPROVAL DOCUMENT: Drawing No. **W14-29**, titled "Series-450 Aluminum Fixed Wdw (L.M.I.)", sheets 1 through 6 of 6, dated 08/20/14, with Revision A dated 07/10/17, prepared by Al-Farooq Corporation, signed and sealed by Javad Ahmad, P.E., bearing the Miami-Dade County Product Control Section Revision stamp with the Notice of Acceptance number and expiration date by the Miami-Dade County Product Control Section.

MISSILE IMPACT RATING: Large and Small Missile Impact Resistant

LABELING: Each unit shall bear a permanent label with the manufacturer's name or logo, city, state, model/series, and following statement: "Miami-Dade County Product Control Approved", unless otherwise noted herein.

RENEWAL of this NOA shall be considered after a renewal application has been filed and there has been no change in the applicable building code negatively affecting the performance of this product.

TERMINATION of this NOA will occur after the expiration date or if there has been a revision or change in the materials, use, and/or manufacture of the product or process. Misuse of this NOA as an endorsement of any product, for sales, advertising or any other purposes shall automatically terminate this NOA. Failure to comply with any section of this NOA shall be cause for termination and removal of NOA.

ADVERTISEMENT: The NOA number preceded by the words Miami-Dade County, Florida, and followed by the expiration date may be displayed in advertising literature. If any portion of the NOA is displayed, then it shall be done in its entirety.

INSPECTION: A copy of this entire NOA shall be provided to the user by the manufacturer or its distributors and shall be available for inspection at the job site at the request of the Building Official.

This NOA revises NOA# 14-0909.16 and consists of this page 1 and evidence pages E-1, E-2, E-3 and E-4, as well as approval document mentioned above.

The submitted documentation was reviewed by **Jorge M. Plasencia, P.E.**



J. Plasencia
11/08/17

NOA No. 17-0809.36
Expiration Date: December 24, 2019
Approval Date: November 16, 2017
Page 1

Labrador & Fundora Corporation dba V & V Windows

NOTICE OF ACCEPTANCE: EVIDENCE SUBMITTED


1. EVIDENCE SUBMITTED UNDER PREVIOUS APPROVAL # 14-0909.16

A. DRAWINGS

1. Manufacturer's die drawings and sections.
2. Drawing No. **W14-29**, titled "Series-450" Aluminum Fixed Wdw. (L.M.I.)", sheets 1 through 6 of 6, dated 08/20/14, prepared by Al-Farooq Corporation, signed and sealed by Javad Ahmad, P.E.

B. TESTS

1. Test reports on: 1) Air Infiltration Test, per FBC, TAS 202-94
2) Uniform Static Air Pressure Test, Loading per FBC TAS 202-94
3) Water Resistance Test, per FBC, TAS 202-94
along with marked-up drawings and installation diagram of mulled aluminum fixed and fixed casement windows, prepared by Hurricane Test Laboratory, Inc., Test Report No. **HETI-14-5009**, dated 04/23/14, signed and sealed by Rafael E. Droz-Seda, P.E.
2. Test reports on: 1) Large Missile Impact Test per FBC, TAS 201-94
2) Cyclic Wind Pressure Loading per FBC, TAS 203-94
along with marked-up drawings and installation diagram of mulled aluminum fixed and fixed casement windows, prepared by Hurricane Test Laboratory, Inc., Test Report No. **HETI-14-5010**, dated 04/23/14, signed and sealed by Rafael E. Droz-Seda, P.E.
3. Test reports on: 1) Air Infiltration Test, per FBC, TAS 202-94
2) Uniform Static Air Pressure Test, Loading per FBC TAS 202-94
3) Water Resistance Test, per FBC, TAS 202-94
4) Forced Entry Test, per FBC 2411.3.2.1, and TAS 202-94
along with marked-up drawings and installation diagram of mulled aluminum operable casement windows, prepared by Hurricane Test Laboratory, Inc., Test Report No. **HETI-14-5011**, dated 04/23/14, signed and sealed by Rafael E. Droz-Seda, P.E.
4. Test reports on: 1) Large Missile Impact Test per FBC, TAS 201-94
2) Cyclic Wind Pressure Loading per FBC, TAS 203-94
along with marked-up drawings and installation diagram of mulled aluminum operable casement windows, prepared by Hurricane Test Laboratory, Inc., Test Report No. Report No. **HETI-14-5012**, dated 04/23/14, signed and sealed by Rafael E. Droz-Seda, P.E.




Jorge M. Plasencia, P.E.
Product Control Unit Supervisor
NOA No. 17-0809.36
Expiration Date: December 24, 2019
Approval Date: November 16, 2017

Labrador & Fundora Corporation dba V & V Windows

NOTICE OF ACCEPTANCE: EVIDENCE SUBMITTED

B. TESTS (CONTINUED)

5. Test reports on: 1) Air Infiltration Test, per FBC, TAS 202-94
2) Uniform Static Air Pressure Test, Loading per FBC TAS 202-94
3) Water Resistance Test, per FBC, TAS 202-94
4) Forced Entry Test, per FBC 2411.3.2.1, and TAS 202-94
along with marked-up drawings and installation diagram of mulled aluminum operable casement and fixed casement windows, prepared by Hurricane Test Laboratory, Inc., Test Report No. **HETI-14-5013**, dated 04/23/14, signed and sealed by Rafael E. Droz-Seda, P.E.
6. Test reports on: 1) Large Missile Impact Test per FBC, TAS 201-94
2) Cyclic Wind Pressure Loading per FBC, TAS 203-94
along with marked-up drawings and installation diagram of mulled aluminum operable casement and fixed casement windows, prepared by Hurricane Test Laboratory, Inc., Test Report No. **HETI-14-5014**, dated 04/23/14, signed and sealed by Rafael E. Droz-Seda, P.E.
7. Test reports on: 1) Large Missile Impact Test per FBC, TAS 201-94
2) Cyclic Wind Pressure Loading per FBC, TAS 203-94
along with marked-up drawings and installation diagram of an aluminum fixed window, prepared by Hurricane Test Laboratory, Inc., Test Report No. **HETI-14-5015**, dated 04/23/14, signed and sealed by Rafael E. Droz-Seda, P.E.
8. Test reports on: 1) Large Missile Impact Test per FBC, TAS 201-94
2) Cyclic Wind Pressure Loading per FBC, TAS 203-94
along with marked-up drawings and installation diagram of an aluminum operable casement window, prepared by Hurricane Test Laboratory, Inc., Test Report No. **HETI-14-5016**, dated 04/23/14, signed and sealed by Rafael E. Droz-Seda, P.E.
9. Test reports on: 1) Large Missile Impact Test per FBC, TAS 201-94
2) Cyclic Wind Pressure Loading per FBC, TAS 203-94
along with marked-up drawings and installation diagram of mulled aluminum operable casement and fixed windows, prepared by Hurricane Test Laboratory, Inc., Test Report No. **HETI-14-5017**, dated 04/23/14, signed and sealed by Rafael E. Droz-Seda, P.E.
10. Test reports on: 1) Large Missile Impact Test per FBC, TAS 201-94
2) Cyclic Wind Pressure Loading per FBC, TAS 203-94
along with marked-up drawings and installation diagram of mulled aluminum operable casement and fixed windows, prepared by Hurricane Test Laboratory, Inc., Test Report No. **HETI-14-5018**, dated 06/11/14, signed and sealed by Rafael E. Droz-Seda, P.E.



Jorge M. Plasencia, P.E.
Product Control Unit Supervisor
NOA No. 17-0809.36
Expiration Date: December 24, 2019
Approval Date: November 16, 2017

Labrador & Fundora Corporation dba V & V Windows

NOTICE OF ACCEPTANCE: EVIDENCE SUBMITTED

B. TESTS (CONTINUED)

11. Test reports on: 1) Air Infiltration Test, per FBC, TAS 202-94
2) Uniform Static Air Pressure Test, Loading per FBC TAS 202-94
3) Water Resistance Test, per FBC, TAS 202-94
4) Forced Entry Test, per FBC 2411.3.2.1, and TAS 202-94
along with marked-up drawings and installation diagram of an aluminum operable casement window, prepared by Hurricane Test Laboratory, Inc., Test Report No. **HETI-14-5019**, dated 04/23/14, signed and sealed by Rafael E. Droz- Seda, P.E.
12. Test reports on: 1) Large Missile Impact Test per FBC, TAS 201-94
2) Cyclic Wind Pressure Loading per FBC, TAS 203-94
along with marked-up drawings and installation diagram of mulled aluminum operable casement and fixed windows, prepared by Hurricane Test Laboratory, Inc., Test Report No. **HETI-14-5052**, dated 10/21/14, signed and sealed by Rafael E. Droz- Seda, P.E.

C. CALCULATIONS

1. Anchor verification calculations and structural analysis, complying with **FBC-5th Edition (2014)**, dated 08/13/14, prepared by Al-Farooq Corporation, signed and sealed by Javad Ahmad, P.E.
2. **Glazing complies with ASTM E1300-09**

D. QUALITY ASSURANCE

1. Miami-Dade Department of Regulatory and Economic Resources (RER).

E. MATERIAL CERTIFICATIONS

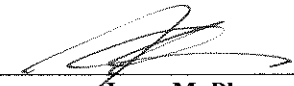
1. Notice of Acceptance No. **14-0423.17** issued to **Eastman Chemical Company (MA)** for their "**Saflex Clear and Color Glass Interlayers**" dated 06/19/14, expiring on 05/21/16.
2. Notice of Acceptance No. **11-0624.02** issued to **E.I. DuPont DeNemours & Co., Inc.** for their "**DuPont SentryGlas® Interlayer**" dated 08/25/11, expiring on 01/14/17.

F. STATEMENTS

1. Statement letter of conformance, complying with **FBC-5th Edition (2014)**, and of no financial interest, dated August 13, 2014, issued by Al-Farooq Corporation, signed and sealed by Javad Ahmad, P.E.
2. Proposal issued by the Product Control Section, dated August 27, 2013, signed by Jaime D. Gascon, P.E., Product Control Supervisor.

G. OTHERS

1. None.



Jorge M. Plasencia, P.E.
Product Control Unit Supervisor
NOA No. 17-0809.36
Expiration Date: December 24, 2019
Approval Date: November 16, 2017

Labrador & Fundora Corporation dba V & V Windows

NOTICE OF ACCEPTANCE: EVIDENCE SUBMITTED

2. NEW EVIDENCE SUBMITTED

A. DRAWINGS

1. Drawing No. **W14-29**, titled "Series-450" Aluminum Fixed Wdw. (L.M.I.)", sheets 1 through 6 of 6, dated 08/20/14, with Revision A dated 07/10/17, prepared by Al-Farooq Corporation, signed and sealed by Javad Ahmad, P.E.

B. TESTS

1. None.

C. CALCULATIONS

1. Anchor verification calculations and structural analysis, complying with **FBC-5th Edition (2014)** and **FBC-6th Edition (2017)** dated 07/06/17, prepared by Al-Farooq Corporation, signed and sealed by Javad Ahmad, P.E.
2. **Glazing complies with ASTM E1300-09**

D. QUALITY ASSURANCE

1. Miami-Dade Department of Regulatory and Economic Resources (RER).

E. MATERIAL CERTIFICATIONS


1. Notice of Acceptance No. **17-0712.05** issued to **Eastman Chemical Company (MA)** for their "**Saflex Clear and Color Glass Interlayers**" dated 09/07/17, expiring on 05/21/21.
2. Notice of Acceptance No. **14-0916.11** issued to **Kuraray America, Inc.** for their "**SentryGlas® (Clear and White) Glass Interlayers**" dated 06/25/15, expiring on 07/04/18.

F. STATEMENTS

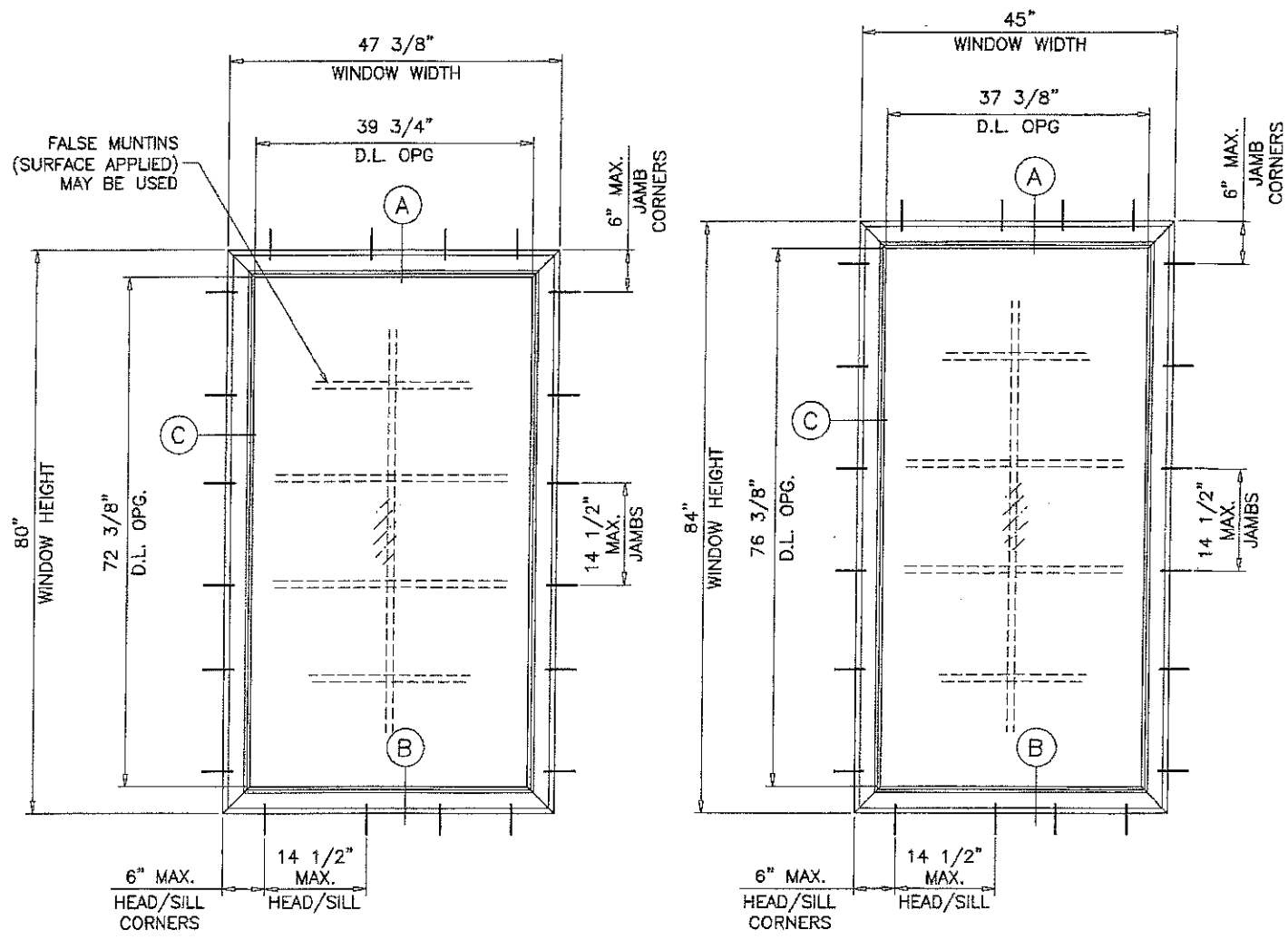
1. Statement letter of conformance to **FBC-5th Edition (2014)** and **FBC-6th Edition (2017)** and of no financial interest, dated 07/06/17, issued by Al-Farooq Corporation, signed and sealed by Javad Ahmad, P.E.

G. OTHERS

1. This NOA revises NOA #14-0909.16, expiring on 12/24/19.

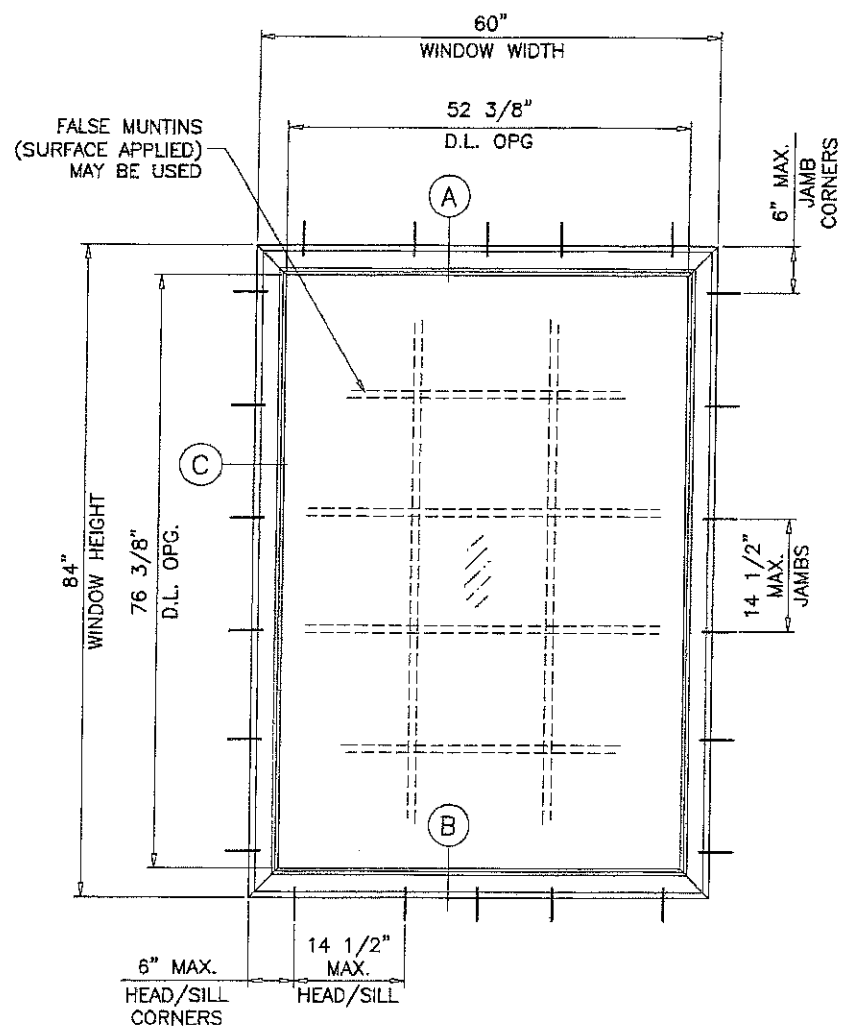


Jorge M. Plasencia, P.E.
Product Control Unit Supervisor
NOA No. 17-0809.36
Expiration Date: December 24, 2019
Approval Date: November 16, 2017



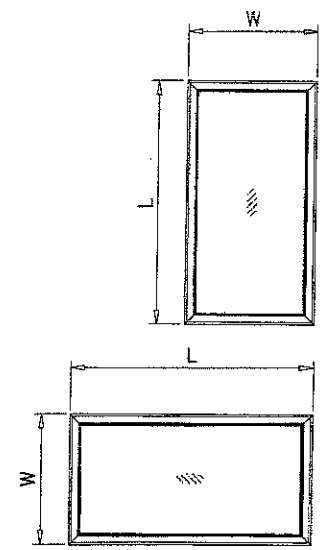
TYPICAL ELEVATIONS

GLASS TYPES 'G2L' & 'G2i'
 MAXIMUM DESIGN LOAD RATING = + 70.0 PSF
 (FOR SIZES SHOWN ABOVE OR SMALLER) - 75.0 PSF



TYPICAL ELEVATION

GLASS TYPES 'G1L' & 'G1i'
 MAXIMUM DESIGN LOAD RATING = + 85.0 PSF
 (FOR SIZE SHOWN ABOVE OR SMALLER) - 85.0 PSF



NOTE:
 WIDTH AND LENGTH DIMENSIONS CAN BE ORIENTED VERTICALLY OR HORIZONTALLY AS SHOWN ABOVE.

THESE WINDOWS ARE RATED FOR LARGE & SMALL MISSILE IMPACT. SHUTTERS ARE NOT REQUIRED.

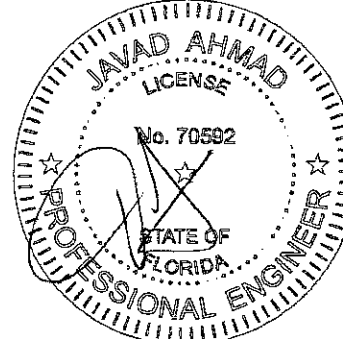
SERIES-450
ALUMINUM FIXED WINDOW

APPROVAL APPLIES TO SINGLE UNITS OR SIDE BY SIDE COMBINATIONS OF FIX./FIX. OR FIXED WITH OTHER WINDOW TYPES IN MODULES OF TWO OR MORE WINDOWS USING MIAMI-DADE COUNTY APPROVED MULLIONS IN BETWEEN. LOWER DESIGN PRESSURE FROM WINDOWS OR MULLION APPROVAL WILL APPLY TO ENTIRE SYSTEM.

THIS PRODUCT HAS BEEN DESIGNED AND TESTED TO COMPLY WITH THE REQUIREMENTS OF THE 2014 (5TH EDITION)/2017 (6TH EDITION) FLORIDA BUILDING CODE INCLUDING HIGH VELOCITY HURRICANE ZONE (HVHZ).
 1BY OR 2BY WOOD BUCKS & BUCK FASTENERS BY OTHERS, MUST BE DESIGNED AND INSTALLED ADEQUATELY TO TRANSFER APPLIED PRODUCT LOADS TO THE BUILDING STRUCTURE.
 ANCHORS SHALL BE CORROSION RESISTANT, SPACED AS SHOWN ON DETAILS AND INSTALLED PER MANUF'S INSTRUCTIONS. SPECIFIED EMBEDMENT TO BASE MATERIAL SHALL BE BEYOND WALL DRESSING OR STUCCO.
 A LOAD DURATION INCREASE IS USED IN DESIGN OF ANCHORS INTO WOOD ONLY.
 ALL SHIMS TO BE HIGH IMPACT, NON-METALLIC AND NON-COMPRESSIBLE.
 MATERIALS INCLUDING BUT NOT LIMITED TO STEEL/METAL SCREWS, THAT COME INTO CONTACT WITH OTHER DISSIMILAR MATERIALS SHALL MEET THE REQUIREMENTS OF THE 2014/2017 FLORIDA BLDG. CODE & ADOPTED STANDARDS.
 THIS PRODUCT APPROVAL IS GENERIC AND DOES NOT PROVIDE INFORMATION FOR A SITE SPECIFIC PROJECT, I.E. LIFE SAFETY OF THIS PRODUCT, ADEQUACY OF STRUCTURE RECEIVING THIS PRODUCT AND SEALING AROUND OPENING FOR WATER INFILTRATION RESISTANCE ETC.
 CONDITIONS NOT SHOWN IN THIS DRAWING ARE TO BE ANALYZED SEPARATELY, AND TO BE REVIEWED BY BUILDING OFFICIAL.

PRODUCT REVISED
 as complying with the Florida Building Code
 NOA-No. **17-0809.36**
 Expiration Date **12/24/2019**
 By *[Signature]*
Miami-Dade Product Control

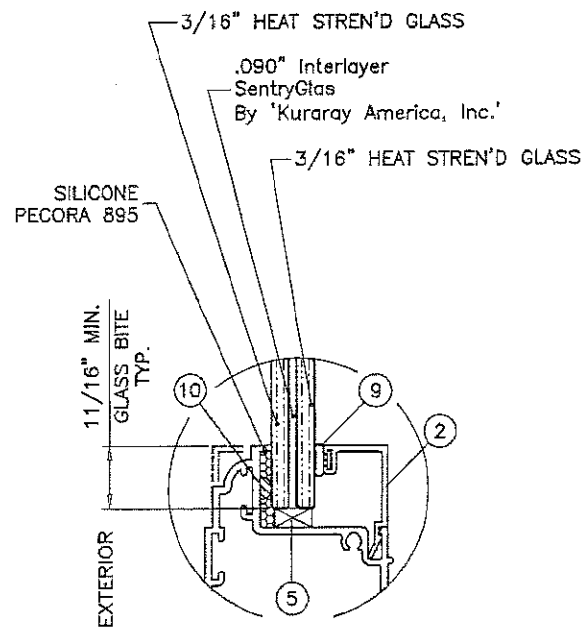
NOTE:
 GLASS CAPACITIES ON THIS SHEET ARE BASED ON ASTM E1300-09 (3 SEC. GUSTS) AND FLORIDA BUILDING COMMISSION DECLARATORY STATEMENT DCA05-DEC-219



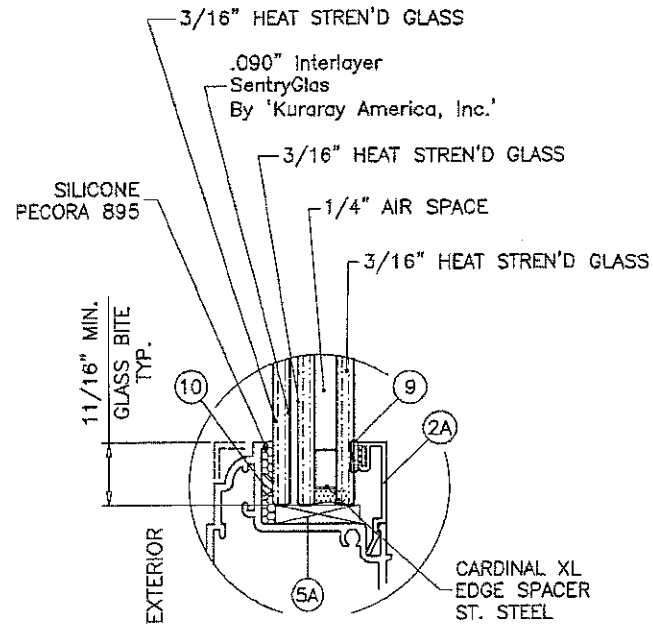
af c
AL-FAROOQ CORPORATION
 ENGINEERS & PRODUCT DEVELOPMENT
 9360 SUNSET DRIVE, SUITE 220
 MIAMI, FLORIDA 33173 (C.A.N. 3598)
 TEL. (305) 264-8100 FAX. (305) 262-6978
 COMP-ANL\W14-29V

SERIES-450 ALUMINUM FIXED WDW. (L.M.I.)
 Labrador & Fundora Corp.
 dba-V & V Windows
 2355 West 4th Ave.
 Hialeah, FL 33010
 TEL. (305) 888-4151 FAX. (305) 888-1042

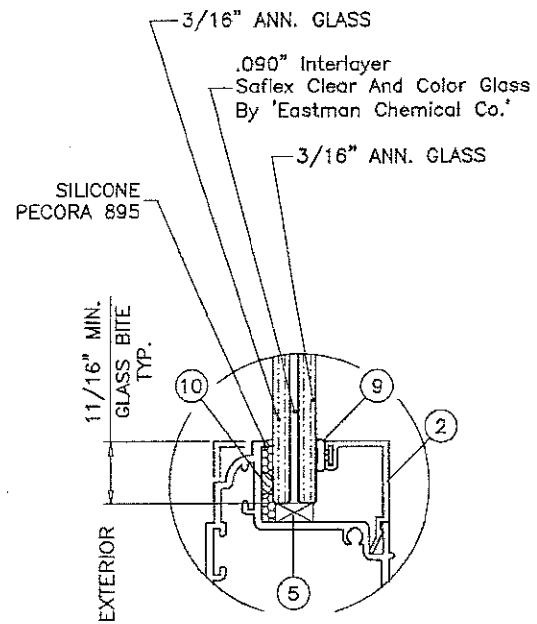
revisions:	no.	date	by	description
	A	07.10.17		UPDATED TO 2017 FBC
date:	08-20-14			
scale:	1/2" = 1'-0"			
dr. by:	TARIQ			
chk. by:				
drawing no.	W14-29			
sheet	1 of 6			



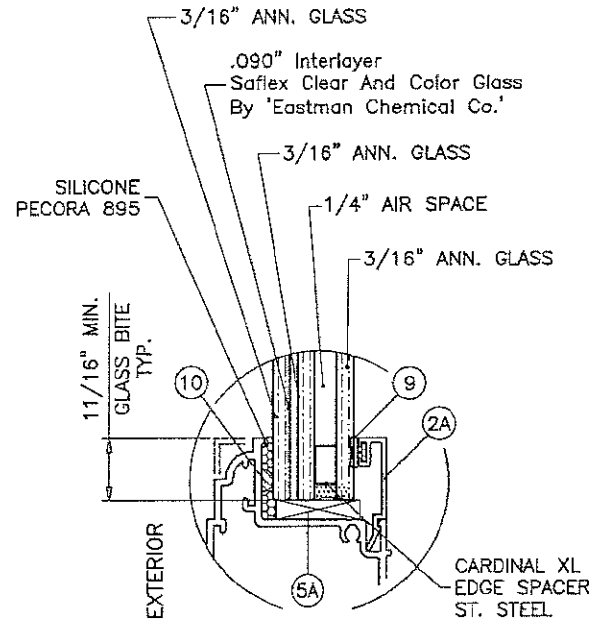
GLASS TYPE 'G1L'
7/16" OVERALL NOM.



GLASS TYPE 'G1i'
1" OVERALL NOM.




GLASS TYPE 'G2L'
7/16" OVERALL NOM.

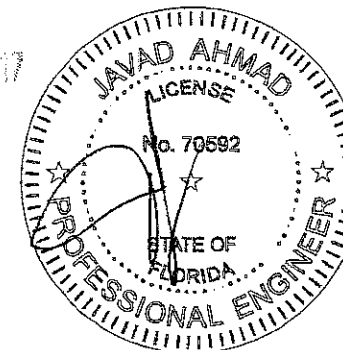


GLASS TYPE 'G2i'
1" OVERALL NOM.

GLAZING OPTIONS

PRODUCT REVISED
as complying with the Florida
Building Code
NOA-No. **17-0809.36**
Expiration Date **12/24/2019**
By 
Miami-Dade Product Control

4/23/2017

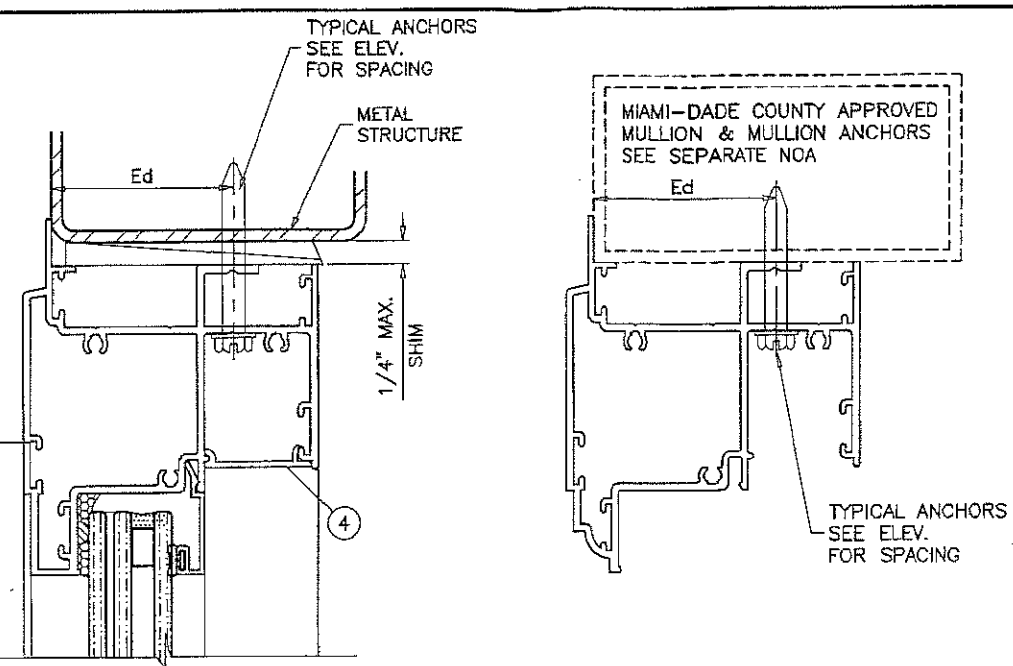
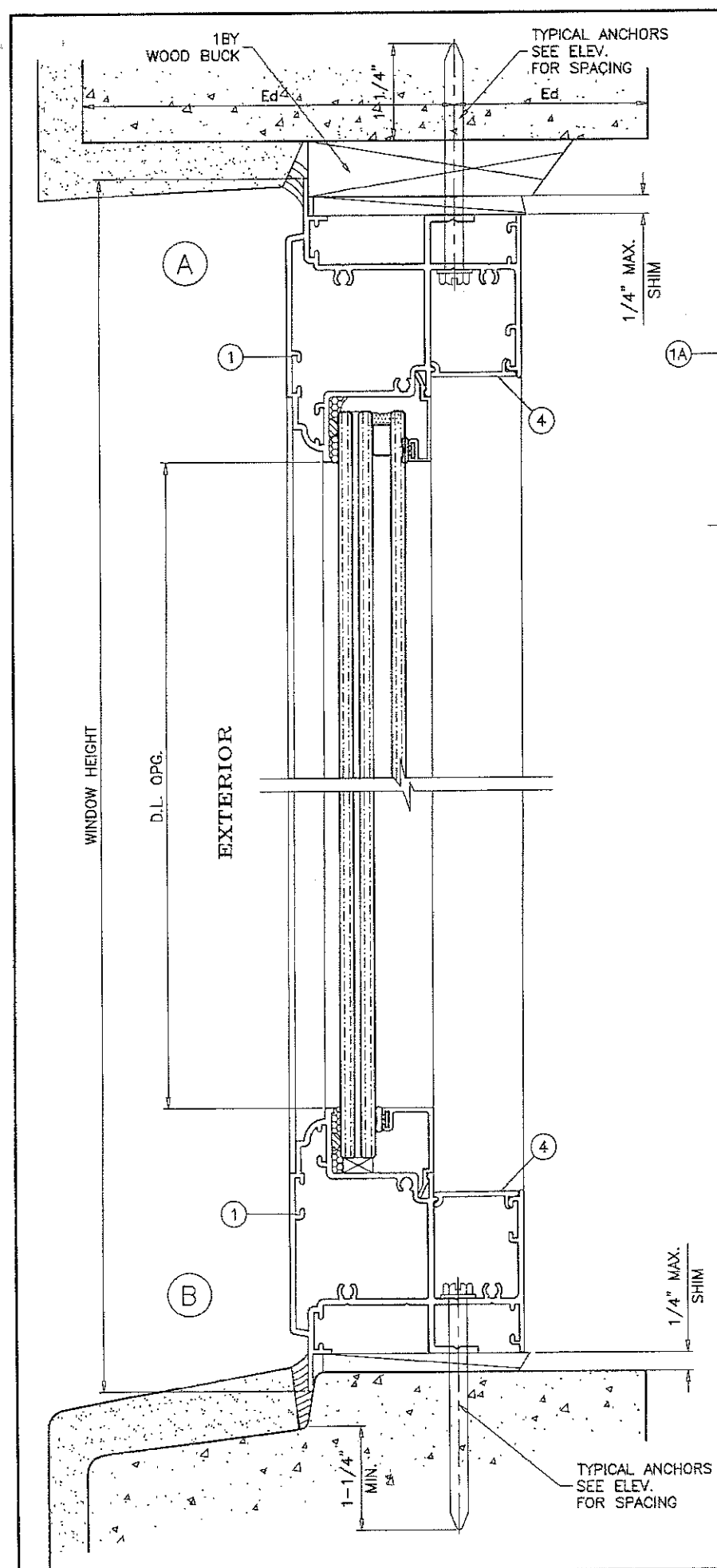


af c
AL-FAROOQ CORPORATION
ENGINEERS & PRODUCT DEVELOPMENT
9360 SUNSET DRIVE, SUITE 220 (C.A.N. 3538)
MIAMI, FLORIDA 33173 TEL. (305) 262-6978
FAX. (305) 264-8100
COMP-ANL\W14-29V

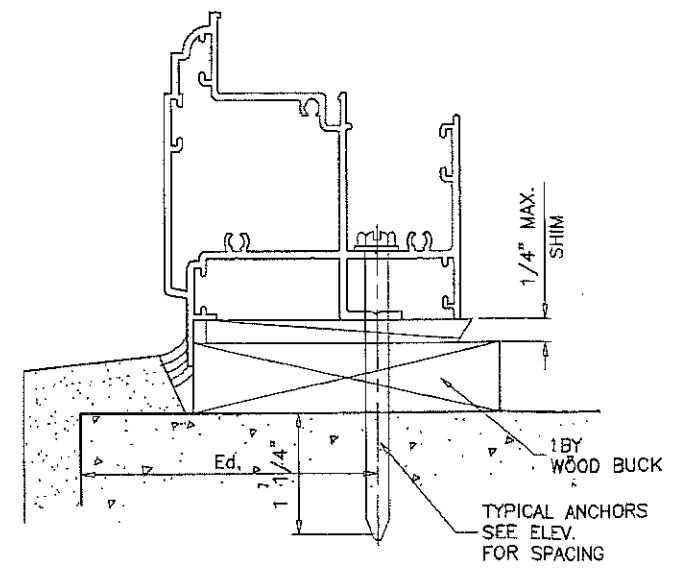
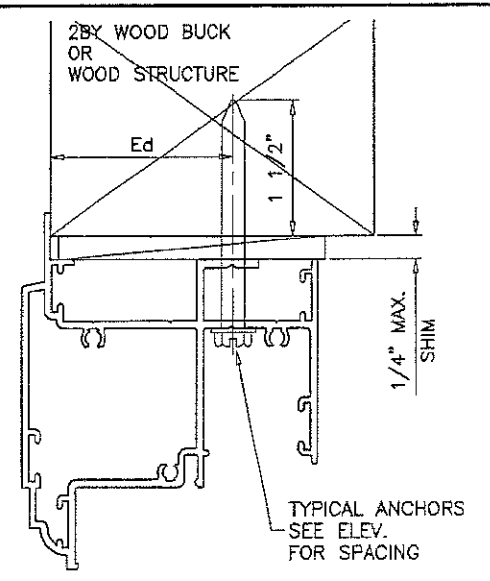
SERIES-450 ALUMINUM FIXED WDW. (L.M.I.)
Labrador & Fundora Corp.
dba-V & V Windows
2355 West 4th Ave.
Hialeah, Fl. 33010
TEL. (305) 888-4151 FAX. (305) 888-1042

no	date	by	description
A	10/7/10/17		UPDATED TO 2017 FBC

date: 08-20-14
scale: 1/2" = 1"
dr. by: TARIQ
chk. by:
drawing no. **W14-29**
sheet 2 of 6



WOOD BUCKS AND METAL STRUCTURE NOT BY V & V WDW. MUST SUSTAIN LOADS IMPOSED BY GLAZING SYSTEM AND TRANSFER THEM TO THE BUILDING STRUCTURE.



TYPICAL ANCHORS: SEE ELEV. FOR SPACING
 1/4" DIA. ULTRACON BY 'ELCO' (Fu=177 KSI, Fy=155 KSI)
 INTO 2BY WOOD BUCKS OR WOOD STRUCTURES
 1-1/2" MIN. PENETRATION INTO WOOD (HEAD/SILL/JAMBS)
 THRU 1BY BUCKS INTO CONC. OR BLOCKS
 1-1/4" MIN. EMBED INTO CONCRETE (HEAD/SILL/JAMBS)
 1-1/4" MIN. EMBED INTO BLOCKS (JAMBS)
 DIRECTLY INTO CONCRETE OR BLOCKS
 1-1/4" MIN. EMBED INTO CONCRETE (HEAD/SILL/JAMBS)
 1-1/4" MIN. EMBED INTO BLOCKS (JAMBS)

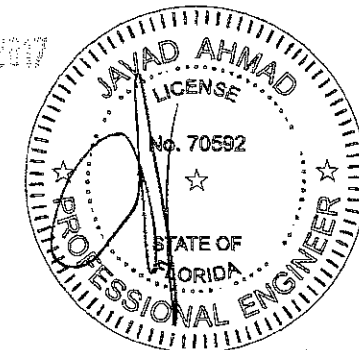
#14 SMS OR SELF DRILLING SCREWS (GRADE 2 CRS)
 INTO METAL STRUCTURES (HEAD/SILL/JAMBS)
 (3) THREADS MIN. PENETRATION BEYOND SUBSTRATE
 ALUMINUM: 1/8" THK. MIN. (6063-T5 MIN.)
 STEEL: 1/8" THK. MIN. (Fy = 36 KSI MIN.)
 (STEEL IN CONTACT WITH ALUMINUM TO BE PLATED OR PAINTED)

#12 SMS OR SELF DRILLING SCREWS (GRADE 2 CRS)
 INTO MIAMI-DADE COUNTY APPROVED MULLIONS
 (3) THREADS MIN. PENETRATION BEYOND SUBSTRATE
 ALUMINUM: 1/8" THK. MIN. (6063-T5 MIN.) (NO SHIM SPACE)
 STEEL: 1/8" THK. MIN. (Fy = 36 KSI MIN.) (NO SHIM SPACE)
 (STEEL IN CONTACT WITH ALUMINUM TO BE PLATED OR PAINTED)

TYPICAL EDGE DISTANCE
 INTO CONCRETE AND MASONRY = 2-1/2" MIN.
 INTO WOOD STRUCTURE = 1" MIN.
 INTO METAL STRUCTURE = 3/4" MIN.

WOOD AT HEAD, SILL OR JAMBS SG = 0.55 MIN.
 CONCRETE AT HEAD, SILL OR JAMBS f'c = 3000 PSI MIN.
 C-90 GROUT FILLED BLOCK AT JAMBS f'm = 2000 PSI MIN.

PRODUCT REVISED
 as complying with the Florida
 Building Code
 NOA-No. **17-0809.36**
 Expiration Date **12/24/2019**
 By *[Signature]*
 Miami-Dade Product Control



af c
AL-FAROOQ CORPORATION
 ENGINEERS & PRODUCT DEVELOPMENT
 9360 SUNSET DRIVE, SUITE 220 (C.A.N. 3698)
 MIAMI, FLORIDA 33173 TEL. (305) 264-8100 FAX. (305) 262-6978
 COMP-ANL W14-29W

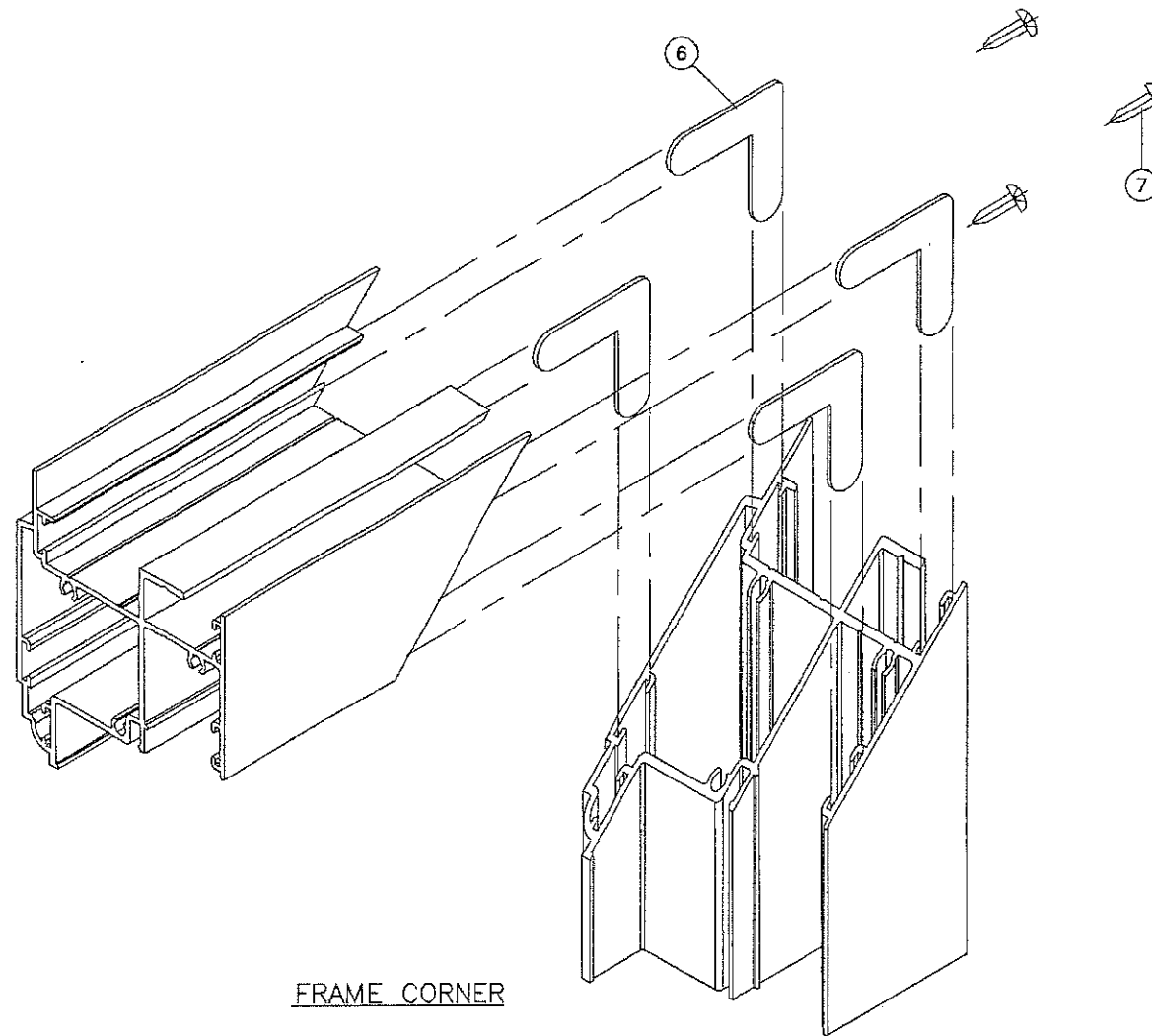
SERIES-450 ALUMINUM FIXED WDW. (L.M.I.)
 Labrador & Fundora Corp.
 dba-V & V Windows
 2355 West 4th Ave.
 Hialeah, Fl. 33010
 TEL. (305) 888-4151 FAX. (305) 888-1042

no	date	by	description
A	07.10.17		UPDATED TO 2017 FBC

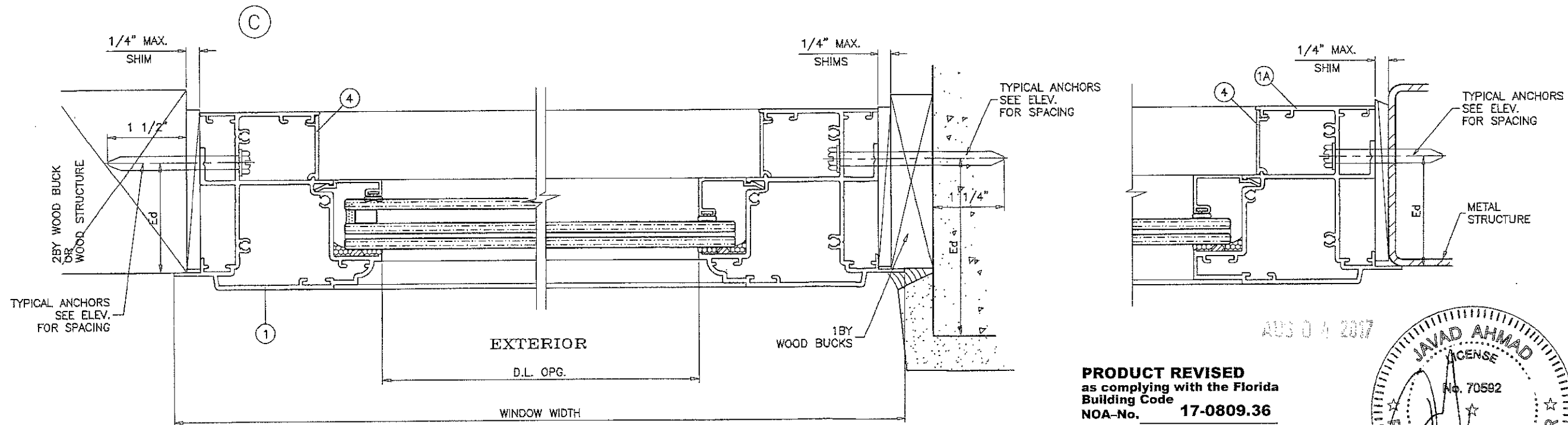
date: 08-20-14
 scale: 1/2" = 1"
 dr. by: TARIQ
 chk. by:

drawing no.
W14-29
 sheet 3 of 6

AUG 0 4 2017



FRAME CORNER

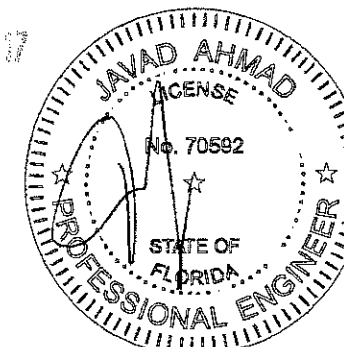


AUG 04 2017

PRODUCT REVISED
 as complying with the Florida
 Building Code
 NOA-No. 17-0809.36

Expiration Date 12/24/2019

By 
 Miami-Dade Product Control



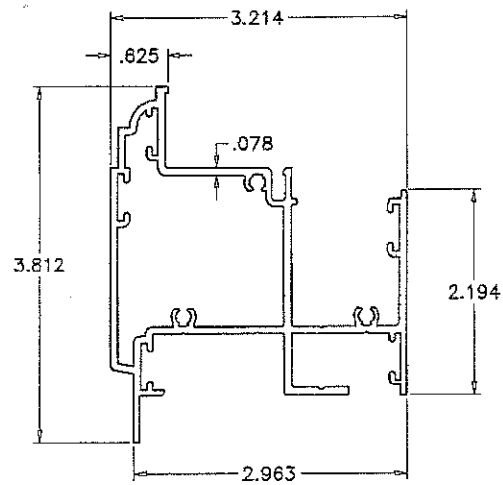
SERIES-450 ALUMINUM FIXED WDW. (L.M.I.)
 Labrador & Fundora Corp.
 dba-V & V Windows
 2355 West 4th Ave.
 Hialeah, FL 33010
 TEL. (305) 888-4151 FAX. (305) 888-1042

af c
AL-FAROOQ CORPORATION
 ENGINEERS & PRODUCT DEVELOPMENT
 9360 SUNSET DRIVE, SUITE 220
 MIAMI, FLORIDA 33173 (C.A.N. 8588)
 TEL. (305) 264-8100 FAX. (305) 262-6978
 COMP-ANL W14-29W

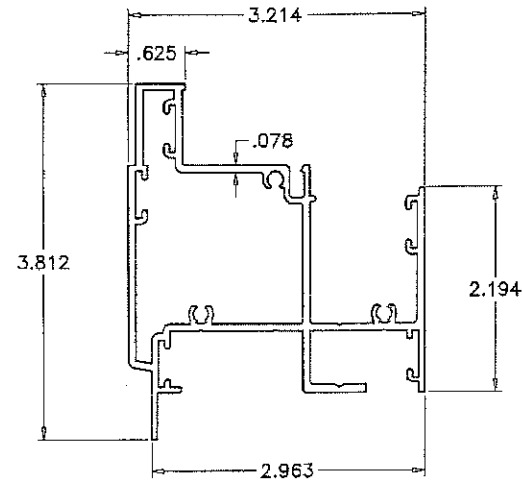
no.	date	by	description
A	07.10.17		UPDATED TO 2017 FBC

date: 08-20-14
 scale: 1/2" = 1"
 dr. by: TARIQ
 chk. by:

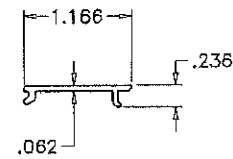
drawing no.
W14-29
 sheet 4 of 6



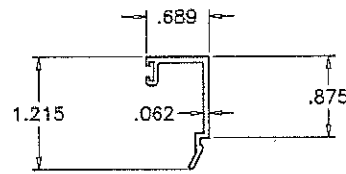
① FIXED FRAME HEAD/SILL/JAMB



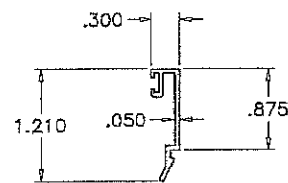
①A ALT. FIXED FRAME HEAD/SILL/JAMB



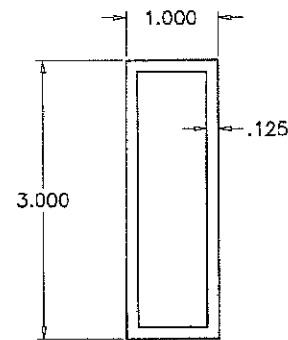
④ FRAME COVER



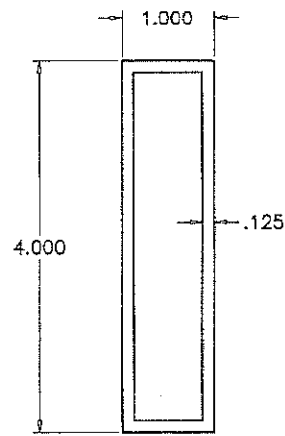
② GLAZING BEAD (LAM. GLASS)



②A GLAZING BEAD (INSUL. LAM. GLASS)



⑪ TUBE MULLION



⑪A TUBE MULLION

ITEM	PART #	QUANTITY	DESCRIPTION	MATERIAL	MANF./SUPPLIER/REMARKS
1	V403	4/ WDW.	FRAME HEAD/SILL/JAMB	6063-T6	-
1A	V412	4/ WDW.	ALT. FRAME HEAD/SILL/JAMB	6063-T6	-
2	V405	4/ WDW.	GLAZING BEAD (LAM. GLASS)	6063-T5	-
2A	V406	4/ WDW.	GLAZING BEAD (INSUL. LAM. GLASS)	6063-T5	-
4	V404	AS REQD.	FRAME COVER	6063-T6	-
5	-	AS REQD.	SETTING BLOCK	EPDM	ULTRAFAB, DUROMETER 80±5 SHORE A
5A	-	AS REQD.	SETTING BLOCK	EPDM	ULTRAFAB, DUROMETER 80±5 SHORE A
6	PJ540-SS	AS REQD.	CORNER KEY	ST. STEEL	SULLIVAN & ASSOC.
7	#10 X 1-1/4"	AS REQD.	FRAME ASSEMBLY SCREWS	CRS	PH SMS
9	9146	AS REQD.	GLAZING GASKET	VINYL	CENTRAL PLASTICS, DUROMETER 65±5 SHORE A
10	-	AS REQD.	GLASS SPACER	SILICONE	FRANK LOWE, DUROMETER 65±5 SHORE A
11	-	AS REQD.	1X3 TUBE MULLION	6063-T6	-
11A	-	AS REQD.	1X4 TUBE MULLION	6063-T6	-

SEALANT:

ALL JOINTS AND FRAME CONNECTIONS SEALED WITH 'PECORA 1215' SEAM SEALER.

PARAMETER CAULKING 'DYMONIC FC POLYURETHANE' ON EXTERIOR ONLY.

af c
AL-FAROOQ CORPORATION
 ENGINEERS & PRODUCT DEVELOPMENT
 9360 SUNSET DRIVE, SUITE 220
 MIAMI, FLORIDA 33173 (C.A.N. 3698)
 TEL. (305) 262-6978 FAX. (305) 262-6978
 COMP--ANL\W14-29VV


SERIES-450 ALUMINUM FIXED WDW. (L.M.I.)
 Labrador & Fundora Corp.
 dba-V & V Windows
 2355 West 4th Ave.
 Hialeah, FL 33010
 TEL. (305) 888-4151 FAX. (305) 888-1042

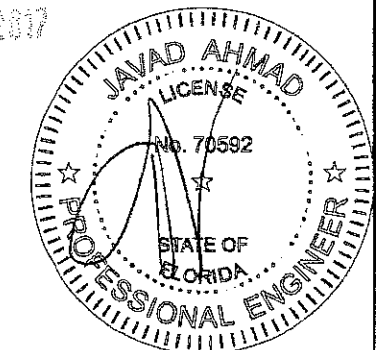
no.	date	by	description
A	07.10.17		UPDATED TO 2017 FBC

date: 08-20-14	scale: 1/2" = 1"	dr. by: TARIQ	chk. by:
----------------	------------------	---------------	----------

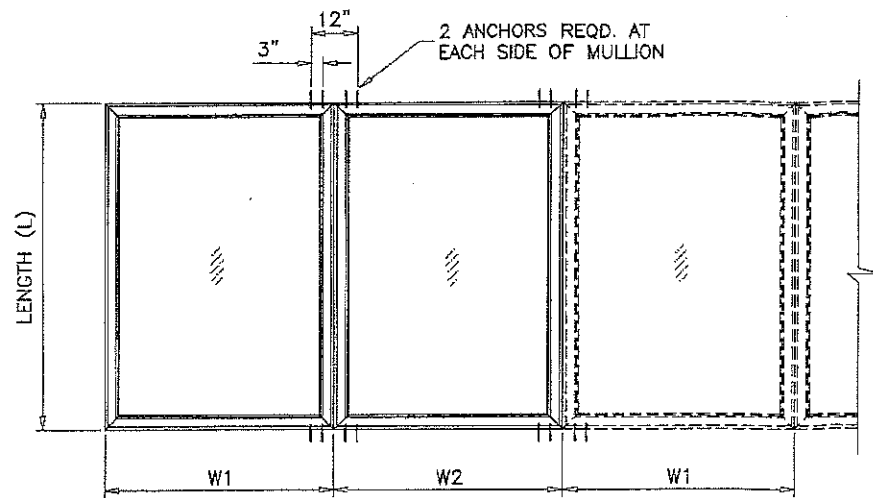
drawing no.
W14-29
 sheet 5 of 6

AUG 9 2017

PRODUCT REVISED
 as complying with the Florida
 Building Code
 NOA-No. **17-0809.36**
 Expiration Date **12/24/2019**
 By 
 Miami-Dade Product Control

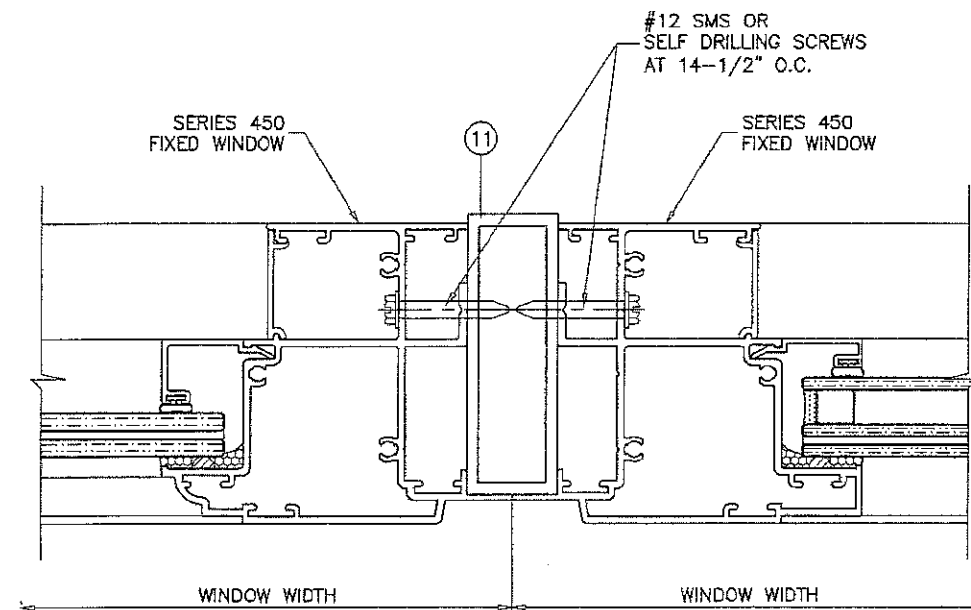


MULLION LOAD CAPACITY - PSF					
WINDOW DIMS.		MULLION TYPE '1'		MULLION TYPE '2'	
WIDTH (W)	LENGTH (L)	EXT.(+)	INT.(-)	EXT.(+)	INT.(-)
19-1/8"	74-1/4"	85.0	85.0	85.0	85.0
26-1/2"		85.0	85.0	85.0	85.0
37"		85.0	85.0	85.0	85.0
53-1/8"		85.0	85.0	85.0	85.0
60"		85.0	85.0	85.0	85.0
19-1/8"	80"	85.0	85.0	85.0	85.0
26-1/2"		85.0	85.0	85.0	85.0
37"		85.0	85.0	85.0	85.0
53-1/8"		85.0	85.0	85.0	85.0
60"		82.7	82.7	85.0	85.0
19-1/8"	84"	85.0	85.0	85.0	85.0
26-1/2"		85.0	85.0	85.0	85.0
37"		85.0	85.0	85.0	85.0
53-1/8"		74.9	74.9	85.0	85.0
60"		69.7	69.7	85.0	85.0
18"	78"	85.0	85.0	85.0	85.0
24"		85.0	85.0	85.0	85.0
30"		85.0	85.0	85.0	85.0
36"		85.0	85.0	85.0	85.0
42"		85.0	85.0	85.0	85.0
48"		85.0	85.0	85.0	85.0
54"		85.0	85.0	85.0	85.0
60"	85.0	85.0	85.0	85.0	
18"	84"	85.0	85.0	85.0	85.0
24"		85.0	85.0	85.0	85.0
30"		85.0	85.0	85.0	85.0
36"		85.0	85.0	85.0	85.0
42"		85.0	85.0	85.0	85.0
48"		80.3	80.3	85.0	85.0
54"		74.2	74.2	85.0	85.0
60"	69.7	69.7	85.0	85.0	



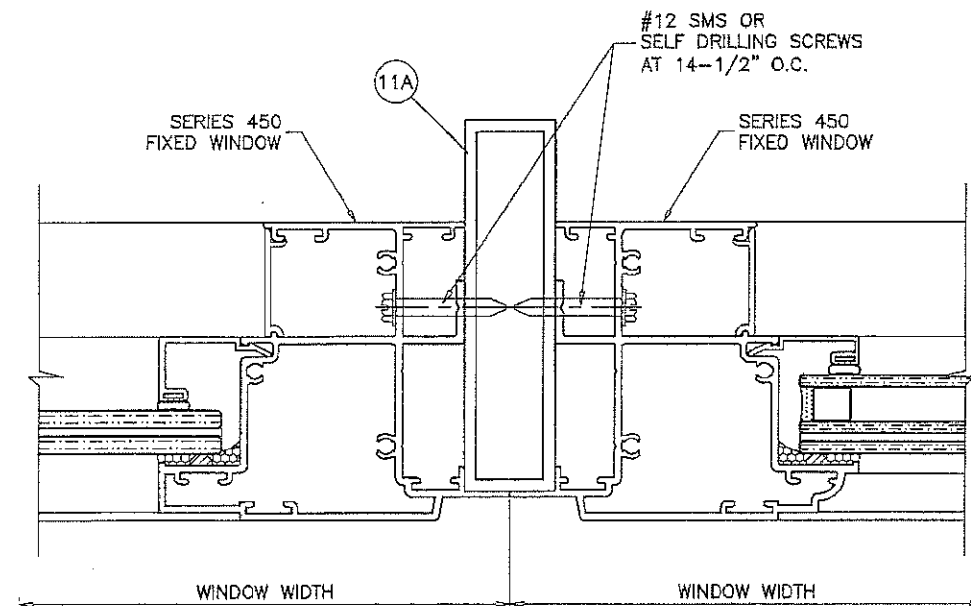
TYPICAL ELEVATIONS
SIDE BY SIDE WINDOWS
SIDE BY SIDE APPLIES TO TWO OR MORE WINDOWS

$$\text{WIDTH (W)} = \frac{W1 + W2}{2}$$



MULLION TYPE '1'

TOTAL PROPERTIES
Ix = 4.188 IN⁴
Sx = 2.319 IN³



MULLION TYPE '2'

TOTAL PROPERTIES
Ix = 5.275 IN⁴
Sx = 2.638 IN³

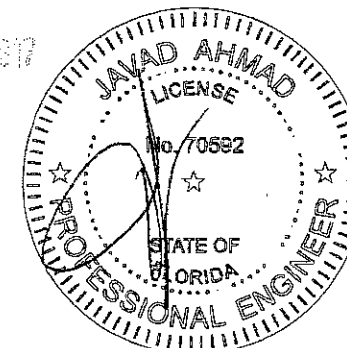
NOTES:

1. USE CHART ON THIS SHEET FOR SIDE BY SIDE CONNECTION CAPACITY OF WINDOW MULLION.
2. FOR FIXED WINDOW CAPACITY SEE SHEET 1.
3. LOWER VALUES FROM STEPS 1 OR 2 WILL APPLY TO ENTIRE SYSTEM.

PRODUCT REVISED
as complying with the Florida
Building Code
NOA-No. 17-0809.36

Expiration Date 12/24/2019

By
Miami-Dade Product Control



af c
AL-FAROOQ CORPORATION
ENGINEERS & PRODUCT DEVELOPMENT
9360 SUNSET DRIVE, SUITE 220
MIAMI, FLORIDA 33173 (C.A.N. 3538)
TEL. (305) 264-8100 FAX. (305) 262-6978
COMP-ANL\W14-29V

SERIES-450 ALUMINUM FIXED WDW. (L.M.I.)
Labrador & Fundora Corp.
dba-V & V Windows
2355 West 4th Ave.
Hialeah, FL 33010
TEL. (305) 886-4151 FAX. (305) 886-1042

no.	date	by	description
A	07.10.17		UPDATED TO 2017 FBC

date: 08-20-14
scale: 1/2" = 1"
dr. by: TARIQ
chk. by:

drawing no.
W14-29
sheet 6 of 6