



DEPARTMENT OF REGULATORY AND ECONOMIC RESOURCES (RER)
BOARD AND CODE ADMINISTRATION DIVISION

NOTICE OF ACCEPTANCE (NOA)

MIAMI-DADE COUNTY, FLORIDA
PRODUCT CONTROL SECTION
11805 SW 26 Street, Room 208
T (786) 315-2590 F (786) 315-2599

www.miamidade.gov/economy

Labrador & Fundora Corp.
dba V & V Windows
2355 W 4th Ave
Hialeah, FL 33010-1454

SCOPE:

This NOA is being issued under the applicable rules and regulations governing the use of construction materials. The documentation submitted has been reviewed and accepted by Miami-Dade County RER-Product Control Section to be used in Miami-Dade County and other areas where allowed by the Authority Having Jurisdiction (AHJ).

This NOA shall not be valid after the expiration date stated below. The Miami-Dade County Product Control Section (In Miami-Dade County) and/ or the AHJ (in areas other than Miami-Dade County) reserve the right to have this product or material tested for quality assurance purposes. If this product or material fails to perform in the accepted manner, the manufacturer will incur the expense of such testing and the AHJ may immediately revoke, modify, or suspend the use of such product or material within their jurisdiction. RER reserves the right to revoke this acceptance, if it is determined by Miami-Dade County Product Control Section that this product or material fails to meet the requirements of the applicable building code.

This product is approved as described herein, and has been designed to comply with the Florida Building Code, including the High Velocity Hurricane Zone.

DESCRIPTION: Series "300" Aluminum Fixed Window - L.M.I.

APPROVAL DOCUMENT: Drawing No. W13-11, titled "Series 300 Aluminum Fixed Window (L.M.I.)", sheets 1 through 3 of 3, dated 04/11/13, with revision "D" dated 09/26/17, prepared by Al-Farooq Corporation, signed and sealed by Javad Ahmad, P.E., bearing the Miami-Dade County Product Control Revision stamp with the Notice of Acceptance number and expiration date by the Miami-Dade County Product Control Section.

MISSILE IMPACT RATING: Large and Small Missile Impact Resistant

LABELING: Each unit shall bear a permanent label with the manufacturer's name or logo, city, state, series, and following statement: "Miami-Dade County Product Control Approved", unless otherwise noted herein.

RENEWAL of this NOA shall be considered after a renewal application has been filed and there has been no change in the applicable building code negatively affecting the performance of this product.

TERMINATION of this NOA will occur after the expiration date or if there has been a revision or change in the materials, use, and/or manufacture of the product or process. Misuse of this NOA as an endorsement of any product, for sales, advertising or any other purposes shall automatically terminate this NOA. Failure to comply with any section of this NOA shall be cause for termination and removal of NOA.

ADVERTISEMENT: The NOA number preceded by the words Miami-Dade County, Florida, and followed by the expiration date may be displayed in advertising literature. If any portion of the NOA is displayed, then it shall be done in its entirety.

INSPECTION: A copy of this entire NOA shall be provided to the user by the manufacturer or its distributors and shall be available for inspection at the job site at the request of the Building Official.

This NOA revises and renews NOA No. 15-0209.08 and consists of this page 1 and evidence pages E-1 and E-2, as well as approval document mentioned above.

The submitted documentation was reviewed by **Manuel Perez, P.E.**



MP
12/05/17

NOA No. 17-1011.05
Expiration Date: August 22, 2023
Approval Date: December 14, 2017
Page 1

Labrador & Fundora Corp. dba V & V Windows

NOTICE OF ACCEPTANCE: EVIDENCE SUBMITTED

1. EVIDENCE SUBMITTED UNDER PREVIOUS NOA's

A. DRAWINGS

1. Manufacturer's die drawings and sections.
(Submitted under NOA No. 13-0529.24)
2. Drawing No. **W13-11**, titled "**Series 300 Aluminum Fixed Window (L.M.I.)**", sheets 1 through 3 of 3, dated 04/11/13, with revision "**C**" dated 07/28/15, prepared by Al-Farooq Corporation, signed and sealed by Javad Ahmad, P. E.

B. TESTS

1. Test reports on: 1) Air Infiltration Test, per FBC, TAS 202-94
2) Uniform Static Air Pressure Test, Loading per FBC, TAS 202-94
3) Water Resistance Test, per FBC, TAS 202-94
along with marked-up drawings and installation diagram of an aluminum fixed window, prepared by Hurricane Engineering & Testing, Inc., Test Report No. **HETI-11-3337**, dated 04/29/13, signed and sealed by Rafael E. Droz-Seda, P.E.
(Submitted under NOA No. 13-0529.24)
2. Test reports on: 1) Large Missile Impact Test per FBC, TAS 201-94
2) Cyclic Wind Pressure Loading per FBC, TAS 203-94
along with marked-up drawings and installation diagram of an aluminum fixed window, prepared by Hurricane Engineering & Testing, Inc., Test Report No. **HETI-11-3338**, dated 04/29/13, signed and sealed by Rafael E. Droz-Seda, P.E.
(Submitted under NOA No. 13-0529.24)

C. CALCULATIONS

1. Anchor verification calculations and structural analysis, complying with **FBC 5th Edition (2014)**, dated 01/21/15 and 07/31/15, prepared by Al-Farooq Corporation, signed and sealed by Javad Ahmad, P.E.
2. Glazing complies with **ASTM E1300-09**

D. QUALITY ASSURANCE

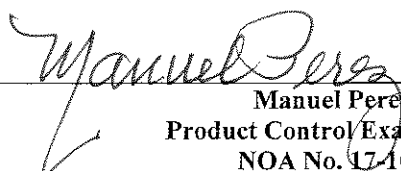
1. Miami-Dade Department of Regulatory and Economic Resources (RER).

E. MATERIAL CERTIFICATIONS

1. Notice of Acceptance No. **14-0916.11** issued to **Kuraray America, Inc.** for their "**SentryGlas® (Clear and White) Glass Interlayers**" dated 06/25/15, expiring on 07/04/18.

F. STATEMENTS

1. Statement letter of conformance to, of complying with **FBC 5th Edition (2014)** and of no financial interest, dated 01/21/15, issued by Al-Farooq Corporation, signed and sealed by Javad Ahmad, P.E.



Manuel Perez, P.E.
Product Control Examiner
NOA No. 17-1011.05
Expiration Date: August 22, 2023
Approval Date: December 14, 2017

Labrador & Fundora Corp. dba V & V Windows

NOTICE OF ACCEPTANCE: EVIDENCE SUBMITTED

F. STATEMENTS (CONTINUED)

2. Laboratory compliance letters for Test Reports No. **HETI-11-3337** and **HETI-11-3338**, issued by Hurricane Engineering & Testing, Inc., both dated 04/29/13, signed and sealed by Rafael E. Droz-Seda, P.E.
(Submitted under NOA No. 13-0529.24)
3. Proposal No. **10-1188** issued by Product Control, dated 11/24/10, signed by Ishaq Chanda, P.E. *(Submitted under s NOA No. 13-0529.24)*

G. OTHERS

1. Notice of Acceptance No. **13-0529.24**, issued to Labrador & Fundora Corp. dba V & V Windows, for their Series “300” Aluminum Fixed Window – L.M.I., approved on 08/22/13 and expiring on 08/22/18.

2. NEW EVIDENCE SUBMITTED

A. DRAWINGS

1. Drawing No. **W13-11**, titled “**Series 300 Aluminum Fixed Window (L.M.I.)**”, sheets 1 through 3 of 3, dated 04/11/13, with revision “**D**” dated 09/26/17, prepared by Al-Farooq Corporation, signed and sealed by Javad Ahmad, P.E.

B. TESTS

1. None.

C. CALCULATIONS

1. None

D. QUALITY ASSURANCE

1. Miami-Dade Department of Regulatory and Economic Resources (RER).

E. MATERIAL CERTIFICATIONS

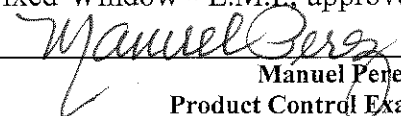
1. Notice of Acceptance No. **14-0916.11** issued to **Kuraray America, Inc.** for their “**SentryGlas® (Clear and White) Glass Interlayers**” dated 06/25/15, expiring on 07/04/18.

F. STATEMENTS

1. Statement letter of conformance, complying with **FBC 5th Edition (2014)**, with **FBC 6th Edition (2017)**, and of no financial interest, dated September 15, 2017, prepared by Al-Farooq Corporation, signed and sealed by Javad Ahmad, P.E.

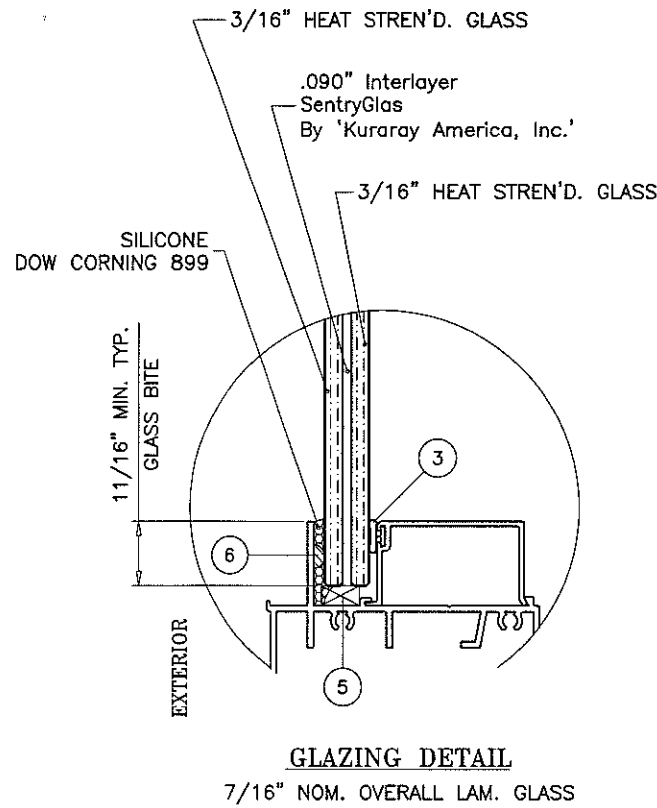
G. OTHERS

1. Notice of Acceptance No. **15-0209.08**, issued to Labrador & Fundora Corp. dba V & V Windows, for their Series “300” Aluminum Fixed Window - L.M.I., approved on 08/13/15 and expiring on 08/22/18.



Manuel Perez, P.E.
Product Control Examiner
NOA No. 17-1011.05

Expiration Date: August 22, 2023
Approval Date: December 14, 2017



THESE WINDOWS ARE RATED FOR LARGE & SMALL MISSILE IMPACT. SHUTTERS ARE NOT REQUIRED.

SERIES 300 ALUMINUM FIXED WINDOW

DESIGN LOAD RATINGS FOR THESE WINDOWS TO BE AS PER CHARTS SHOWN ABOVE.

APPROVAL APPLIES TO SINGLE UNITS OR SIDE BY SIDE COMBINATIONS OF FIX./FX. OR FIXED WITH OTHER WINDOW TYPES IN MODULES OF TWO OR MORE WINDOWS USING MIAMI-DADE COUNTY APPROVED MULLIONS IN BETWEEN. LOWER DESIGN PRESSURE FROM WINDOWS OR MULLION APPROVAL WILL APPLY TO ENTIRE SYSTEM.

THIS PRODUCT HAS BEEN DESIGNED AND TESTED TO COMPLY WITH THE REQUIREMENTS OF THE 2014 (5TH EDITION)/2017 (6TH EDITION) FLORIDA BUILDING CODE INCLUDING HIGH VELOCITY HURRICANE ZONE (HVHZ).

1BY OR 2BY WOOD BUCKS & BUCK FASTENERS BY OTHERS, MUST BE DESIGNED AND INSTALLED ADEQUATELY TO TRANSFER APPLIED PRODUCT LOADS TO THE BUILDING STRUCTURE.

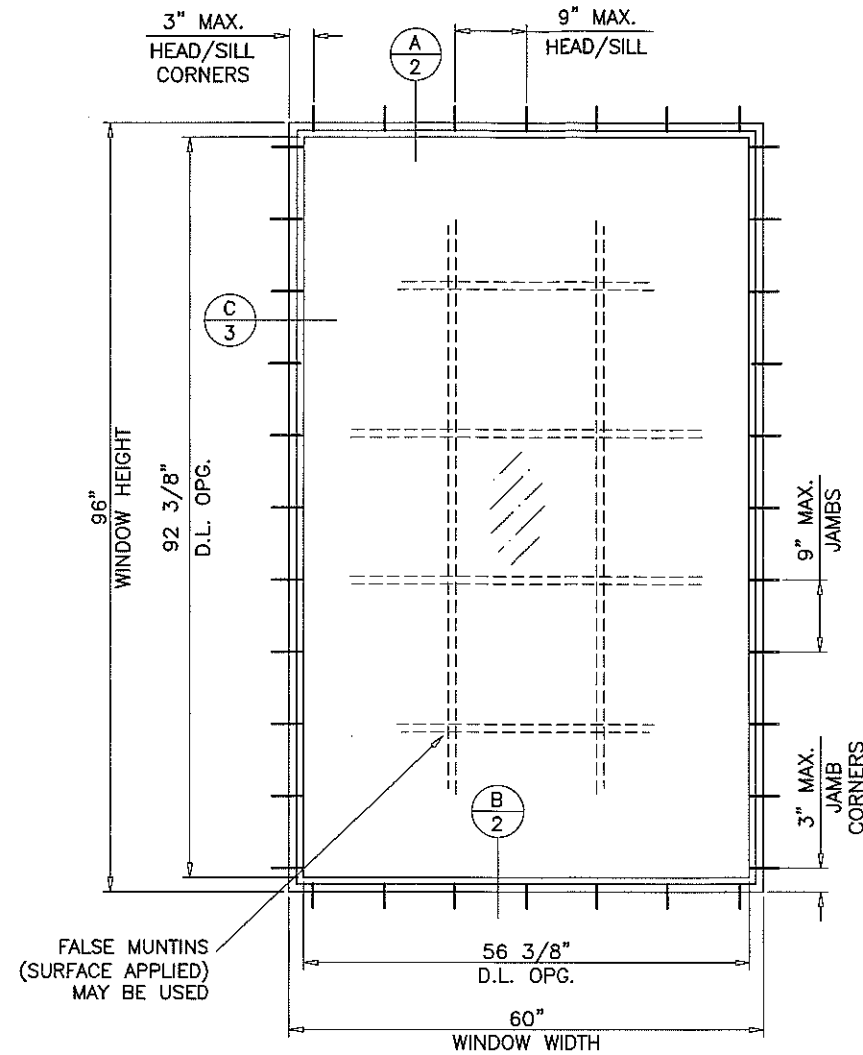
ANCHORS SHALL BE CORROSION RESISTANT, SPACED AS SHOWN ON DETAILS AND INSTALLED PER MANUF'S INSTRUCTIONS. SPECIFIED EMBEDMENT TO BASE MATERIAL SHALL BE BEYOND WALL DRESSING OR STUCCO.

A LOAD DURATION INCREASE IS USED IN DESIGN OF ANCHORS INTO WOOD ONLY.

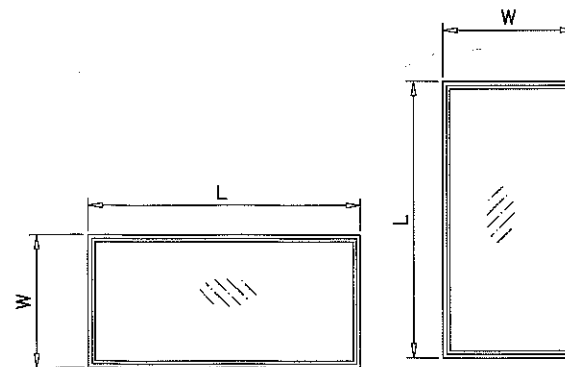
ALL SHIMS TO BE HIGH IMPACT, NON-METALLIC AND NON-COMPRESSIBLE.

MATERIALS INCLUDING BUT NOT LIMITED TO STEEL/METAL SCREWS, THAT COME INTO CONTACT WITH OTHER DISSIMILAR MATERIALS SHALL MEET THE REQUIREMENTS OF THE 2014/2017 FLORIDA BLDG. CODE & ADOPTED STANDARDS.

THIS PRODUCT APPROVAL IS GENERIC AND DOES NOT PROVIDE INFORMATION FOR A SITE SPECIFIC PROJECT, i.e. LIFE SAFETY OF THIS PRODUCT, ADEQUACY OF STRUCTURE RECEIVING THIS PRODUCT AND SEALING AROUND OPENING FOR WATER INFILTRATION RESISTANCE ETC. CONDITIONS NOT SHOWN IN THIS DRAWING ARE TO BE ANALYZED SEPARATELY, AND TO BE REVIEWED BY BUILDING OFFICIAL.



DAYLIGHT OPENINGS:
D.L.O. WIDTH = WINDOW WIDTH - 3.625"
D.L.O. HEIGHT = WINDOW HEIGHT - 3.625"

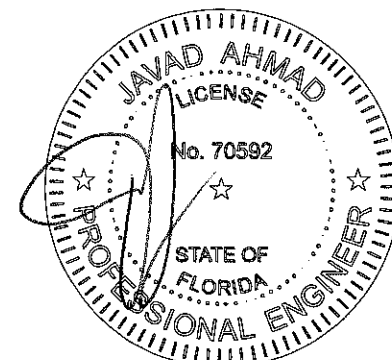


NOTE:
WIDTH AND LENGTH DIMENSIONS CAN BE ORIENTED VERTICALLY OR HORIZONTALLY AS SHOWN ABOVE.

DESIGN LOAD CAPACITY - PSF			
WINDOW DIMS.		GLASS TYPE 'A'	
WIDTH (W)	LENGTH (L)	EXT. (+)	INT. (-)
36"	78"	100.0	100.0
42"		100.0	100.0
48"		100.0	100.0
54"		100.0	100.0
60"		100.0	100.0
66"		90.9	90.9
72"	83.3	83.3	
36"	84"	100.0	100.0
42"		100.0	100.0
48"		100.0	100.0
54"		100.0	100.0
60"		100.0	100.0
66"		90.9	90.9
36"	84"	100.0	100.0
42"		100.0	100.0
48"		100.0	100.0
54"		100.0	100.0
60"		100.0	100.0
66"		90.9	90.9
36"	90"	100.0	100.0
42"		100.0	100.0
48"		100.0	100.0
54"		100.0	100.0
60"		100.0	100.0
66"		90.9	90.9
36"	96"	100.0	100.0
42"		100.0	100.0
48"		100.0	100.0
54"		100.0	100.0
60"		100.0	100.0
66"		90.9	90.9
36"	102"	100.0	100.0
42"		100.0	100.0
48"		100.0	100.0
54"		100.0	100.0
60"		100.0	100.0
66"		90.9	90.9
36"	108"	100.0	100.0
42"		100.0	100.0
48"		100.0	100.0
54"		100.0	100.0
60"		100.0	100.0
66"		90.9	90.9
36"	114"	100.0	100.0
42"		100.0	100.0
48"		100.0	100.0
54"		100.0	100.0
60"		100.0	100.0
66"		90.9	90.9
36"	120"	100.0	100.0
42"		100.0	100.0
48"		96.0	96.0

NOTE:
GLASS CAPACITIES ON THIS SHEET ARE BASED ON ASTM E1300-09 (3 SEC. GUSTS).

PRODUCT REVISED as complying with the Florida Building Code
Acceptance No. 17-1011.05
Expiration Date 02-22-2023
By Manuel Perez
Miami Dade Product Control

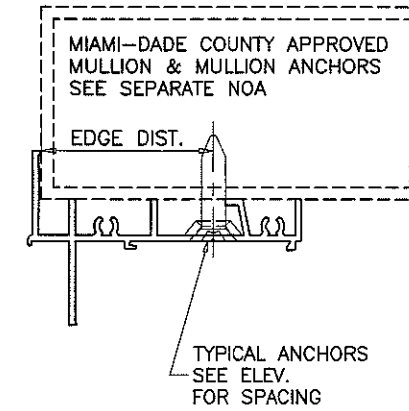
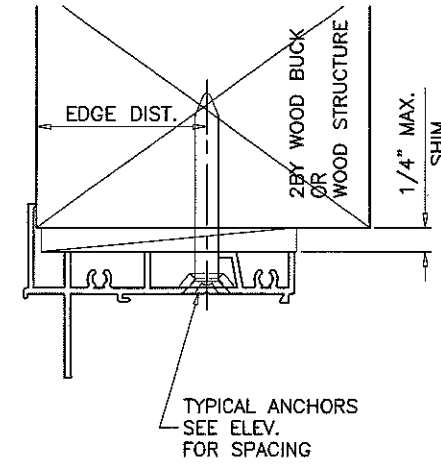
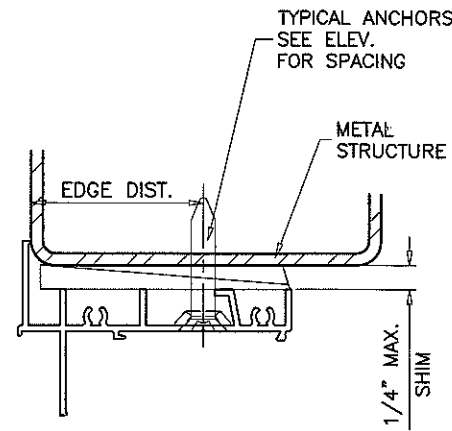
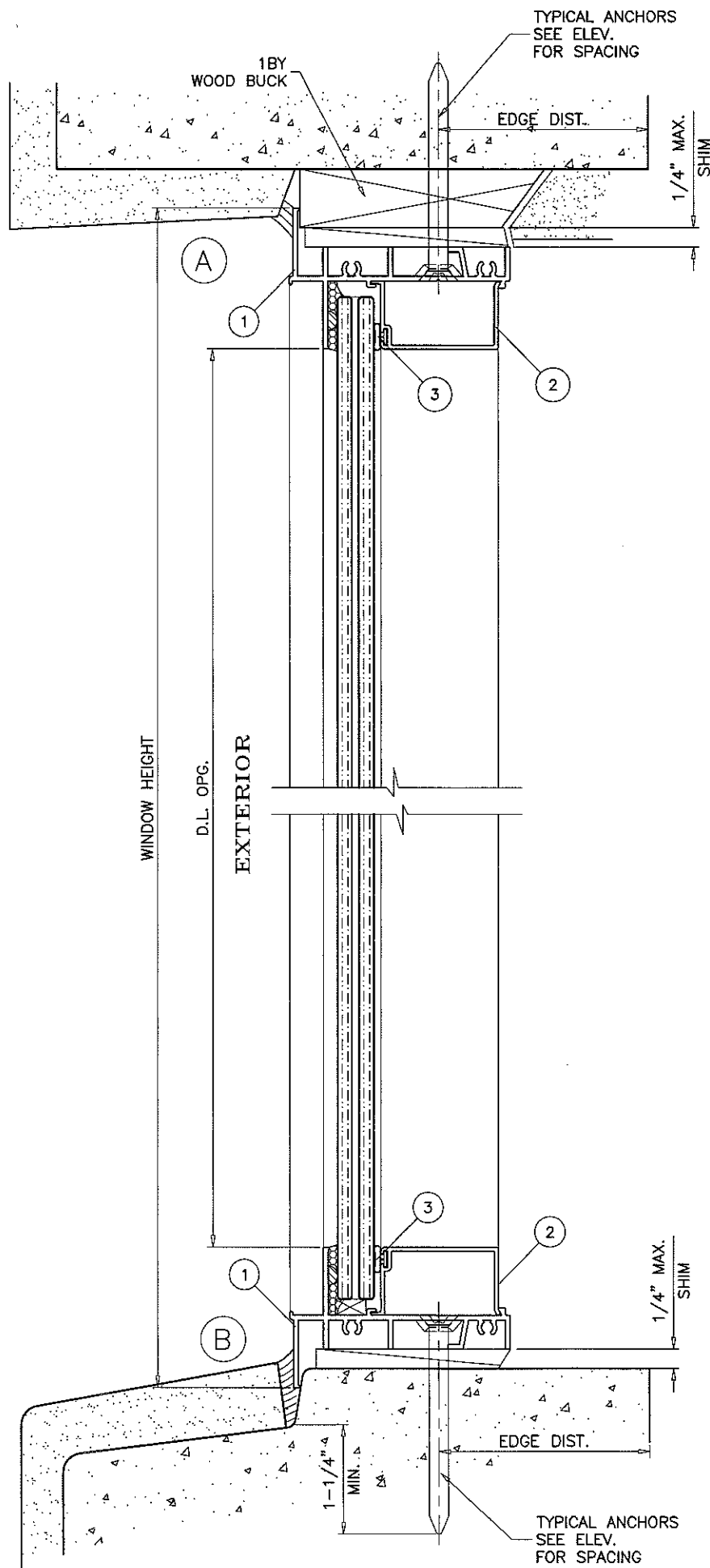


AL-FAROOQ CORPORATION
ENGINEERS & PRODUCT DEVELOPMENT
9360 SUNSET DRIVE, SUITE 220
MIAMI, FLORIDA 33173
TEL. (305) 264-8100 FAX. (305) 262-6978
COMP-ANL W13-11W

SERIES 300 ALUMINUM FIXED WINDOW (L.M.I.)
Labrador & Fundora Corp.
dbq-V & V Windows
2355 West 4th Ave.
Hialeah, FL 33010
TEL. (305) 888-4151 FAX. (305) 888-1042

no.	date	by	description
A	08.06.13	REV. PER	REV. COMMENTS
B	01.22.15	UPDATED TO	2014 FBC
C	07.28.15	REV. PER	REV. COMMENTS
D	09.26.17	UPDATED TO	2017 FBC

date: 04-11-13
scale: 1/2"=1'-0"
dr. by: K.Y.
chk. by:
drawing no. W13-11
sheet 1 of 3



WOOD BUCKS AND METAL STRUCTURE NOT BY LABRADOR & FUNDORA CORP. dba-V & V WINDOWS MUST SUSTAIN LOADS IMPOSED BY GLAZING SYSTEM AND TRANSFER THEM TO THE BUILDING STRUCTURE.

SEALANT:

ALL JOINTS AND FRAME CONNECTIONS SEALED WITH SCHNEE-MOREHEAD SM5504 ACRYL-R SELF-LEVELING SEAM SEALER.

PERIMETER CAULKING:

SICAFLEX-15 LM ON THE EXTERIOR PERIMETER ONLY.

TYPICAL ANCHORS: SEE ELEV. FOR SPACING

- 1/4" DIA. ULTRACON BY 'ELCO' (Fu=177 KSI, Fy=155 KSI) INTO 2BY WOOD BUCKS OR WOOD STRUCTURES 1-1/2" MIN. PENETRATION INTO WOOD (HEAD/SILL/JAMBS) THRU 1BY BUCKS INTO CONC. OR BLOCKS 1-1/4" MIN. EMBED INTO CONCRETE (HEAD/SILL/JAMBS) 1-1/4" MIN. EMBED INTO BLOCKS (JAMBS) DIRECTLY INTO CONCRETE OR BLOCKS 1-1/4" MIN. EMBED INTO CONCRETE (HEAD/SILL/JAMBS) 1-1/4" MIN. EMBED INTO BLOCKS (JAMBS)

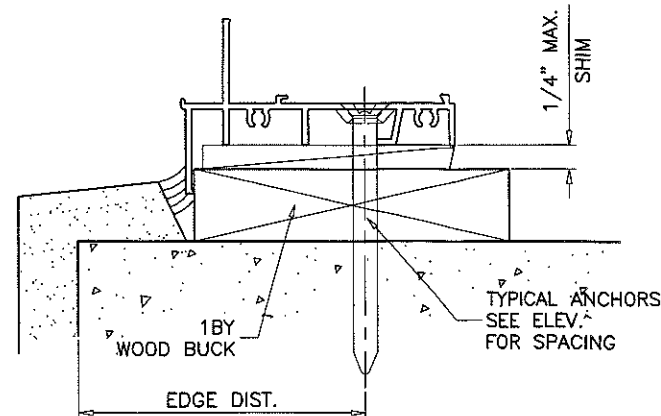
- #14 SMS OR SELF DRILLING SCREWS (GRADE 2 CRS) INTO METAL STRUCTURES (HEAD/SILL/JAMBS) (3) THREADS MIN. PENETRATION BEYOND SUBSTRATE ALUMINUM: 1/8" THK. MIN. (6063-T5 MIN.) STEEL: 1/8" THK. MIN. (Fy = 36 KSI MIN.) (STEEL IN CONTACT WITH ALUMINUM TO BE PLATED OR PAINTED)

- #12 SMS OR SELF DRILLING SCREWS (GRADE 2 CRS) INTO MIAMI-DADE COUNTY APPROVED MULLIONS (3) THREADS MIN. PENETRATION BEYOND SUBSTRATE (NO SHIM SPACE) ALUMINUM: 1/8" THK. MIN. (6063-T5 MIN.) STEEL: 1/8" THK. MIN. (Fy = 36 KSI MIN.) (STEEL IN CONTACT WITH ALUMINUM TO BE PLATED OR PAINTED)

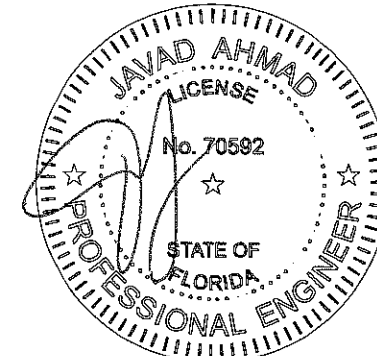
TYPICAL EDGE DISTANCE

- INTO CONCRETE AND MASONRY = 2-1/2" MIN.
- INTO WOOD STRUCTURE = 1" MIN.
- INTO METAL STRUCTURE = 3/4" MIN.

- WOOD AT HEAD, SILL OR JAMBS SG = 0.55 MIN.
- CONCRETE AT HEAD, SILL OR JAMBS f'c = 3000 PSI MIN.
- C-90 HOLLOW/FILLED BLOCK AT JAMBS f'm = 2000 PSI MIN.



PRODUCT REVISED as complying with the Florida Building Code Acceptance No. 17-1011.05 Expiration Date Dec. 27, 2023 By Manuel Perez Miami Dade Product Control



af c
AL-FAROOQ CORPORATION
 ENGINEERS & PRODUCT DEVELOPMENT
 9360 SUNSET DRIVE, SUITE 220
 MIAMI, FLORIDA 33173 (C.A.N. 3538)
 TEL. (305) 264-8100 FAX. (305) 262-6978
 COMP-ANL\W13-11W

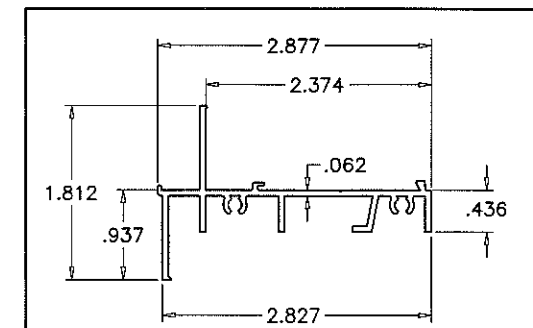
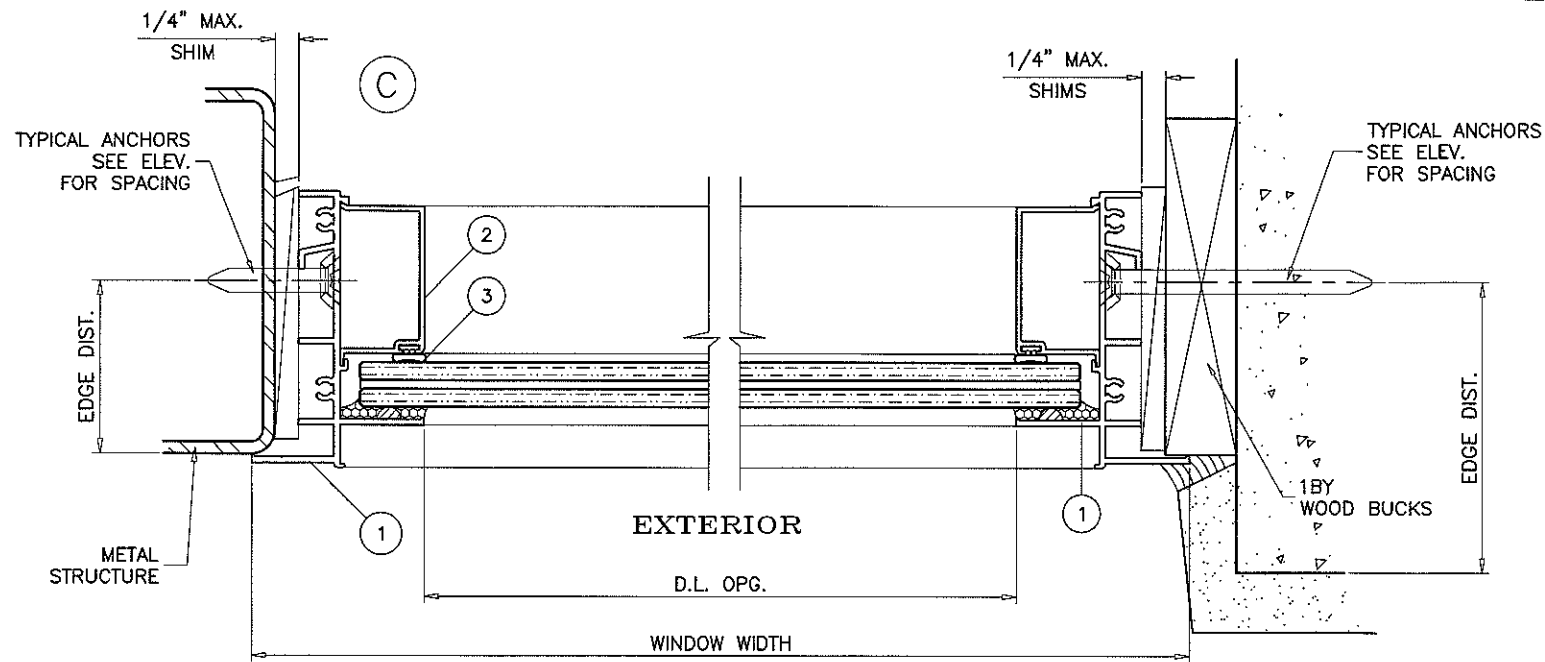
SERIES 300 ALUMINUM FIXED WINDOW (L.M.I.)
 Labrador & Fundora Corp.
 dba-V & V Windows
 2355 West 4th Ave.
 Hialeah, FL 33010
 TEL. (305) 888-4151 FAX. (305) 888-1042

NO	DATE	DESCRIPTION
A	08.06.13	REV. PER COMMENTS
B	01.22.15	UPDATED TO 2014 FBC
C	07.28.15	REV. PER COMMENTS
D	09.26.17	UPDATED TO 2017 FBC

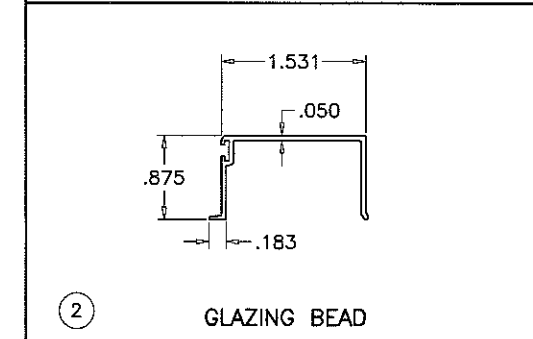
date: 04-11-13
 scale: 1/2" = 1"
 dr. by: K.Y.
 chk. by:

drawing no. **W13-11**
 sheet 2 of 3

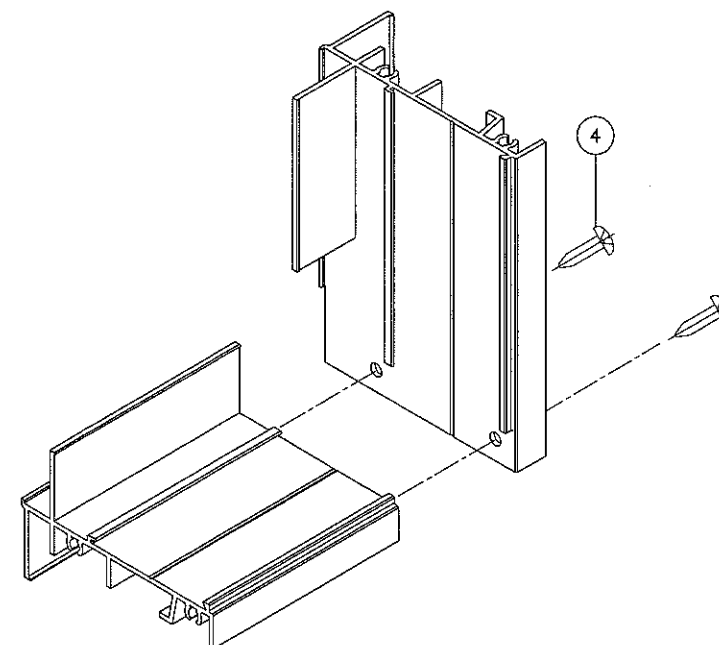
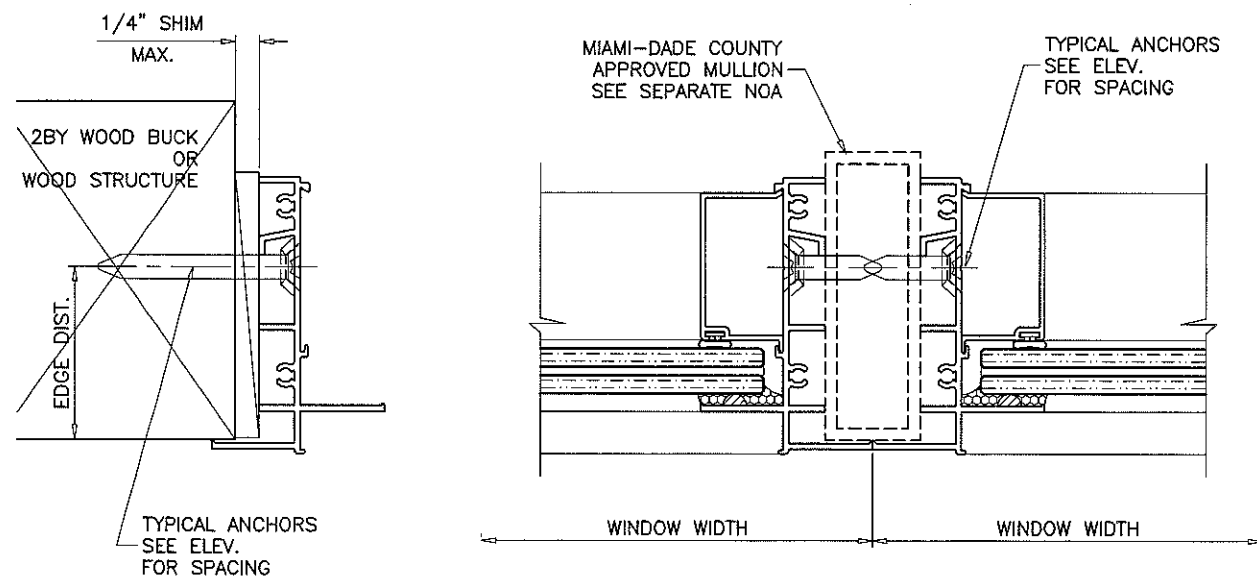
ITEM	PART #	QUANTITY	DESCRIPTION	MATERIAL	MANF./SUPPLIER/REMARKS
1	VW-011	1	FRAME HEAD/SILL/JAMB	6063-T6	-
2	VW-010	1	GLAZING BEAD	6063-T6	-
3	E203	AS REQD.	GLAZING BEAD BULB	NEOPRENE	ULTRAFAB, DUAL DUROMETER, T-SLOT=50, BULB=73
4	#8 X 1 1/4"	AS REQD.	FRAME ASSEMBLY SCREWS	-	PH SMS
5	-	2/ LITE	SETTING BLOCKS AT 1/4 POINTS	EPDM	ULTRAFAB, DUROMETER, 80±5 SHORE A
6	-	AS REQD.	GLASS SPACER (1/4" X 1/8")	SILICONE	FRANK LOWE, DUROMETER 60±5 SHORE A



1 FRAME HEAD/SILL/JAMB

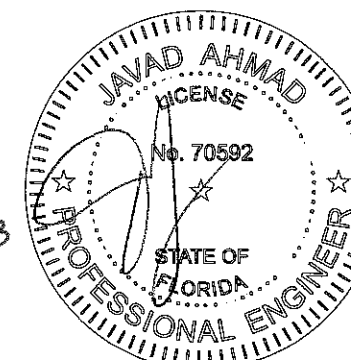


2 GLAZING BEAD



FRAME CORNER

PRODUCT REVISED
as complying with the Florida
Building Code
Acceptance No. 17-1011.05
Expiration Date 03.27.2023
By *Manuel Buz*
Miami Dade Product Control



af c
AL-FAROOQ CORPORATION
ENGINEERS & PRODUCT DEVELOPMENT
9360 SUNSET DRIVE, SUITE 220 (C.A.N. 3538)
MIAMI, FLORIDA 33173
TEL. (305) 264-8100 FAX. (305) 262-6978
COMP-ANL\W13-11W

SERIES 300 ALUMINUM FIXED WINDOW (L.M.I.)
Labrador & Fundora Corp.
dbq-V & V Windows
2355 West 4th Ave.
Hialeah, FL 33010
TEL. (305) 888-4151 FAX. (305) 888-1042

no	date	by	description
A	08.06.13	REV. PER	PER COMMENTS
B	01.22.15	UPDATED TO	2014 FBC
C	07.28.15	REV. PER	PER COMMENTS
D	09.26.17	UPDATED TO	2017 FBC

date: 04-11-13
scale: 1/2" = 1"
dr. by: K.Y.
chk. by:

drawing no.
W13-11
sheet 3 of 3