



DEPARTMENT OF REGULATORY AND ECONOMIC RESOURCES (RER)
BOARD AND CODE ADMINISTRATION DIVISION

NOTICE OF ACCEPTANCE (NOA)

MIAMI-DADE COUNTY
PRODUCT CONTROL SECTION
11805 SW 26 Street, Room 208
T (786) 315-2590 F (786) 315-2599
www.miamidade.gov/economy

Labrador & Fundora Corp.
dba V & V Windows
2355 W 4th Avenue
Hialeah, FL 33010-1454

SCOPE:

This NOA is being issued under the applicable rules and regulations governing the use of construction materials. The documentation submitted has been reviewed and accepted by Miami-Dade County RER-Product Control Section to be used in Miami-Dade County and other areas where allowed by the Authority Having Jurisdiction (AHJ).

This NOA shall not be valid after the expiration date stated below. The Miami-Dade County Product Control Section (In Miami-Dade County) and/ or the AHJ (in areas other than Miami-Dade County) reserve the right to have this product or material tested for quality assurance purposes. If this product or material fails to perform in the accepted manner, the manufacturer will incur the expense of such testing and the AHJ may immediately revoke, modify, or suspend the use of such product or material within their jurisdiction. RER reserves the right to revoke this acceptance, if it is determined by Miami-Dade County Product Control Section that this product or material fails to meet the requirements of the applicable building code.

This product is approved as described herein, and has been designed to comply with the Florida Building Code, including the High Velocity Hurricane Zone.

DESCRIPTION: Series "100" Aluminum Single Hung Window – L.M.I.

APPROVAL DOCUMENT: Drawing No. **W11-38**, titled "Series 100 Alum. Single Hung Wdw. (L.M.I.)", sheets 1 through 7 of 7, dated 07/15/11, with revision "D" dated 09/27/17, prepared by Al-Farooq Corporation, signed and sealed by Javad Ahmad, P.E., bearing the Miami-Dade County Product Control stamp with the Notice of Acceptance number and expiration date by the Miami-Dade County Product Control Section.

MISSILE IMPACT RATING: Large and Small Missile Impact Resistant

LABELING: Each unit shall bear a permanent label with the manufacturer's name or logo, city, state, series, and following statement: "Miami-Dade County Product Control Approved", unless otherwise noted herein.

RENEWAL of this NOA shall be considered after a renewal application has been filed and there has been no change in the applicable building code negatively affecting the performance of this product.

TERMINATION of this NOA will occur after the expiration date or if there has been a revision or change in the materials, use, and/ or manufacture of the product or process. Misuse of this NOA as an endorsement of any product, for sales, advertising or any other purposes shall automatically terminate this NOA. Failure to comply with any section of this NOA shall be cause for termination and removal of NOA.

ADVERTISEMENT: The NOA number preceded by the words Miami-Dade County, Florida, and followed by the expiration date may be displayed in advertising literature. If any portion of the NOA is displayed, then it shall be done in its entirety.

INSPECTION: A copy of this entire NOA shall be provided to the user by the manufacturer or its distributors and shall be available for inspection at the job site at the request of the Building Official.

This NOA **revises NOA No. 15-0311.02** and consists of this page 1 and evidence pages E-1 and E-2, as well as approval document mentioned above.

The submitted documentation was reviewed by **Manuel Perez, P.E.**



MP
12/04/17

NOA No. 17-1018.02
Expiration Date: October 20, 2021
Approval Date: December 07, 2017
Page 1

NOTICE OF ACCEPTANCE: EVIDENCE SUBMITTED

1. EVIDENCE SUBMITTED UNDER PREVIOUS NOA's

A. DRAWINGS

1. Manufacturer's die drawings and sections.
(Submitted under previous NOA No. 11-0907.03)
2. Drawing No. **W11-38**, titled "Series 100 Alum. Single Hung Wdw. (L.M.I.)", sheets 1 through 7 of 7, dated 07/15/11, with revision "C" dated 07/28/15, prepared by Al-Farooq Corporation, signed and sealed by Javad Ahmad, P. E.

B. TESTS

1. Test reports on:
 - 1) Air Infiltration Test, per FBC, TAS 202-94
 - 2) Uniform Static Air Pressure Test, Loading per FBC, TAS 202-94
 - 3) Water Resistance Test, per FBC, TAS 202-94
 - 4) Large Missile Impact Test per FBC, TAS 201-94.
 - 5) Cyclic Wind Pressure Loading per FBC, TAS 203-94
 - 6) Forced Entry Test, Type "A" window, Grade 10, ASTM F 588-07 per FBC 2411.3.2.1, TAS 202-94

along with marked-up drawings and installation diagram of single hung window, prepared by American Test Lab of South Florida, Inc., Test Report No. **ATLSF-0913.01-10**, dated 07/11/11, signed and sealed by Julio E. Gonzalez, P. E.
(Submitted under previous NOA No. 11-0907.03)

C. CALCULATIONS

1. Anchor verification calculations and structural analysis, complying with **FBC 5th Edition (2014)**, dated 02/05/15 and revised on 07/31/15, prepared by Al-Farooq Corporation, signed and sealed by Javad Ahmad, P. E.
2. **Glazing complies with ASTM E1300-09**

D. QUALITY ASSURANCE

1. Miami-Dade Department of Regulatory and Economic Resources (RER).

E. MATERIAL CERTIFICATIONS

1. Notice of Acceptance No. **14-0916.10** issued to **Kuraray America, Inc.** for their "**Kuraray Butacite® PVB Glass Interlayer**" dated 04/25/15, expiring on 12/11/16.
2. Notice of Acceptance No. **14-0916.11** issued to **Kuraray America, Inc.** for their "**SentryGlas® (Clear and White) Glass Interlayers**" dated 06/25/15, expiring on 07/04/18.

F. STATEMENTS

1. Statement letter of conformance, complying with **FBC 5th Edition (2014)** and of no financial interest, dated 02/05/15, issued by Al-Farooq Corporation, signed and sealed by Javad Ahmad, P. E.
2. Laboratory compliance letter for Test Report No. **ATLSF-0913.01-10**, issued by American Test Lab of South Florida, Inc., dated 07/11/11, signed and sealed by Julio E. Gonzalez, P. E.
(Submitted under previous NOA No. 11-0907.03)


Manuel Perez, P. E.
Product Control Examiner
NOA No. 17-1018.02

Expiration Date: October 20, 2021
Approval Date: December 07, 2017

NOTICE OF ACCEPTANCE: EVIDENCE SUBMITTED

G. OTHERS

1. Notice of Acceptance No. **11-0907.03**, issued to Labrador & Fundora Corp. dba V & V Windows for their Series "100 Aluminum Single Hung Window – L.M.I.", approved on 10/20/11 and expiring on 10/20/16.

2. NEW EVIDENCE SUBMITTED

A. DRAWINGS

1. Drawing No. **W11-38**, titled "Series 100 Alum. Single Hung Wdw. (L.M.I.)", sheets 1 through 7 of 7, dated 07/15/11, with revision "**D**" dated 09/27/17, prepared by Al-Farooq Corporation, signed and sealed by Javad Ahmad, P. E.

B. TESTS

1. None.

C. CALCULATIONS

1. Anchor verification calculations and structural analysis, complying with **FBC 6th Edition (2017)**, dated 09/25/17, prepared by Al-Farooq Corporation, signed and sealed by Javad Ahmad, P.E.

D. QUALITY ASSURANCE

1. Miami-Dade Department of Regulatory and Economic Resources (RER).

E. MATERIAL CERTIFICATIONS

1. Notice of Acceptance No. **16-1117.01** issued to **Kuraray America, Inc.** for their "**Trosifol® Ultraclear, Clear and Color PVB Glass Interlayers**" dated 01/19/17, expiring on 07/08/19.
2. Notice of Acceptance No. **14-0916.11** issued to **Kuraray America, Inc.** for their "**SentryGlas® (Clear and White) Glass Interlayers**" dated 06/25/15, expiring on 07/04/18.

F. STATEMENTS

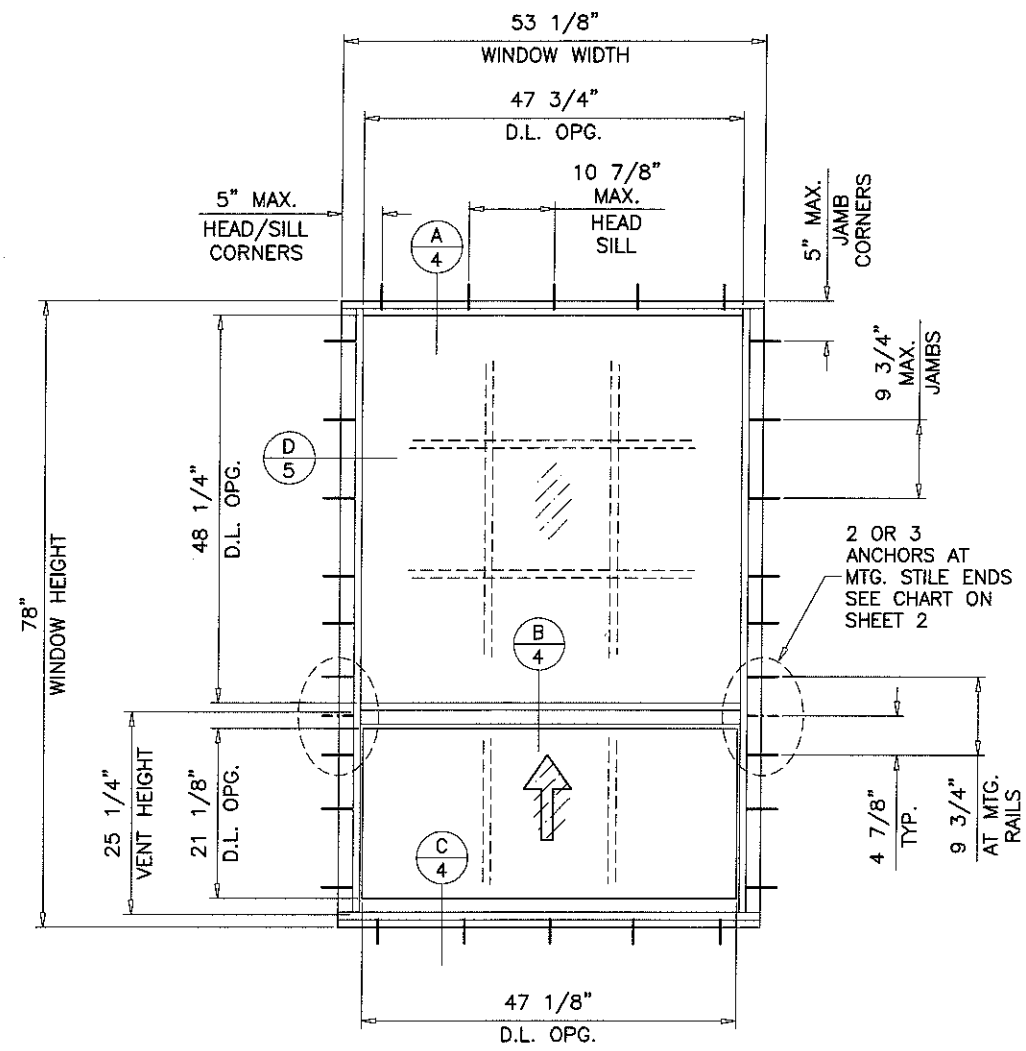
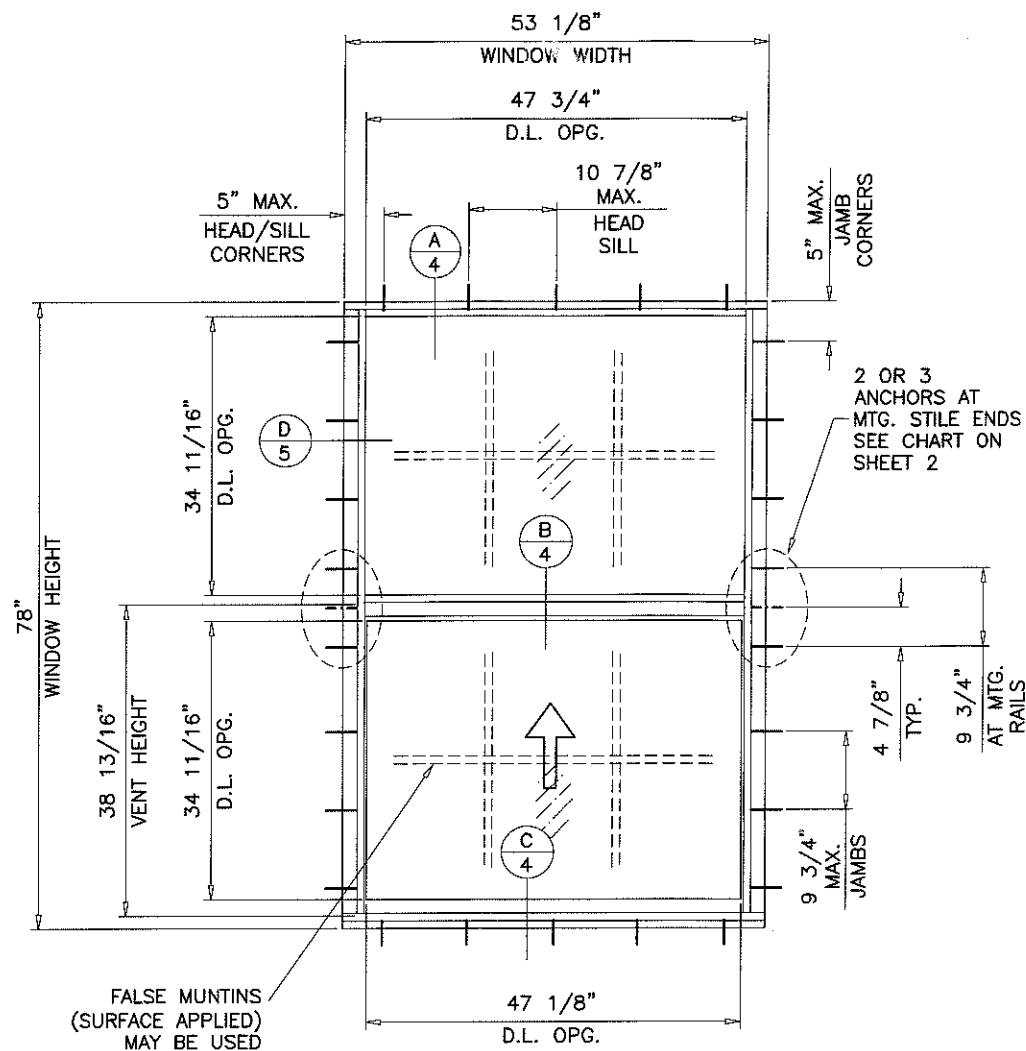
1. Statement letter of conformance, complying with **FBC 5th Edition (2014)**, with **FBC 6th Edition (2017)**, and of no financial interest, dated September 25, 2017, prepared by Al-Farooq Corporation, signed and sealed by Javad Ahmad, P.E.

G. OTHERS

1. Notice of Acceptance No. **15-0311.02** issued to Labrador & Fundora Corp. dba V & V Windows for their Series "100 Aluminum Single Hung Window - L.M.I.", approved on 08/27/2015 and expiring on 10/20/21.


Manuel Perez, P. E.
Product Control Examiner
NOA No. 17-1018.02

Expiration Date: October 20, 2021
Approval Date: December 07, 2017



TYPICAL ELEVATIONS

SERIES 100 ALUMINUM SINGLE HUNG WINDOW

DESIGN LOAD RATINGS FOR THESE WINDOWS TO BE AS PER CHARTS SHOWN ON SHEETS 2 & 3.

APPROVAL APPLIES TO SINGLE UNITS OR SIDE BY SIDE COMBINATIONS OF S.H./S.H. OR SINGLE HUNG WITH OTHER WINDOW TYPES IN MODULES OF TWO OR MORE WINDOWS USING MIAMI-DADE COUNTY APPROVED MULLIONS IN BETWEEN. LOWER DESIGN PRESSURE FROM WINDOWS OR MULLION APPROVAL WILL APPLY TO ENTIRE SYSTEM.

THIS PRODUCT HAS BEEN DESIGNED AND TESTED TO COMPLY WITH THE REQUIREMENTS OF THE 2014 (5TH EDITION)/2017 (6TH EDITION) FLORIDA BUILDING CODE INCLUDING HIGH VELOCITY HURRICANE ZONE (HVHZ).

1BY OR 2BY WOOD BUCKS & BUCK FASTENERS BY OTHERS, MUST BE DESIGNED AND INSTALLED ADEQUATELY TO TRANSFER APPLIED PRODUCT LOADS TO THE BUILDING STRUCTURE.

ANCHORS SHALL BE CORROSION RESISTANT, SPACED AS SHOWN ON DETAILS AND INSTALLED PER MANUF'S INSTRUCTIONS. SPECIFIED EMBEDMENT TO BASE MATERIAL SHALL BE BEYOND WALL DRESSING OR STUCCO.

A LOAD DURATION INCREASE IS USED IN DESIGN OF ANCHORS INTO WOOD ONLY.

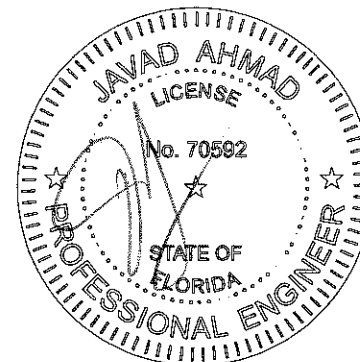
ALL SHIMS TO BE HIGH IMPACT, NON-METALLIC AND NON-COMPRESSIBLE.

MATERIALS INCLUDING BUT NOT LIMITED TO STEEL/METAL SCREWS, THAT COME INTO CONTACT WITH OTHER DISSIMILAR MATERIALS SHALL MEET THE REQUIREMENTS OF THE 2014/2017 FLORIDA BLDG. CODE & ADOPTED STANDARDS.

THIS PRODUCT APPROVAL IS GENERIC AND DOES NOT PROVIDE INFORMATION FOR A SITE SPECIFIC PROJECT, i.e. LIFE SAFETY OF THIS PRODUCT, ADEQUACY OF STRUCTURE RECEIVING THIS PRODUCT AND SEALING AROUND OPENING FOR WATER INFILTRATION RESISTANCE ETC. CONDITIONS NOT SHOWN IN THIS DRAWING ARE TO BE ANALYZED SEPARATELY, AND TO BE REVIEWED BY BUILDING OFFICIAL.

THESE WINDOWS ARE RATED FOR LARGE & SMALL MISSILE IMPACT. SHUTTERS ARE NOT REQUIRED.

PRODUCT REVISED
as complying with the Florida
Building Code
Acceptance No. 17-1018.07
Expiration Date Oct. 20, 2021
By *Manuel Perez*
Miami Dade Product Control



SEP 29 2017

afc
AL-FAROOQ CORPORATION
ENGINEERS & PRODUCT DEVELOPMENT
9360 SUNSET DRIVE, SUITE 220 (C.A.N. 3538)
MIAMI, FLORIDA 33173
TEL. (305) 264-8100 FAX. (305) 262-6978
COMP-ANL\W11-38W

SERIES 100 ALUM SINGLE HUNG WDW. (L.M.I.)
Labrador & Fundora Corp.
dba-V & V Windows
2355 West 4th Ave.
Hialeah, FL 33010
TEL. (305) 888-4151 FAX. (305) 888-1042

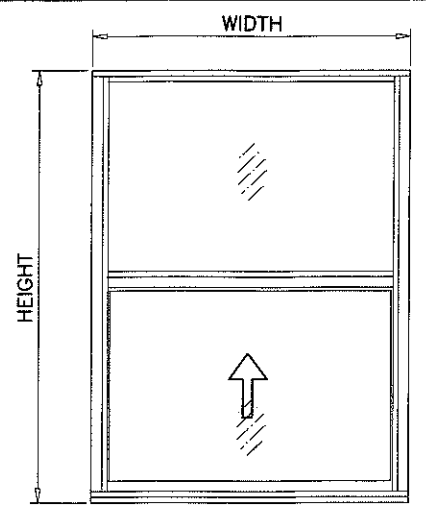
no	date	by	description
A	10.04.11	REV. PER BNC COMMENTS	
B	02.06.15	UPDATED TO 2014 FBC	
C	07.28.15	REV. PER PER COMMENTS	
D	09.27.17	UPDATED TO 2017 FBC	

date: 07-15-11
scale: 1/2"=1'-0"
dr. by: TARIQ
chk. by:

drawing no.
W11-38
sheet 1 of 7

EQUAL LITES WINDOWS								
DESIGN LOAD CAPACITY - PSF 2 ANCHORS AT MTG. STILE ENDS								
WINDOW DIMS.		GLASS TYPE 'A'		GLASS TYPES 'B' & 'C'		GLASS TYPE 'D'		
WIDTH	HEIGHT	EXT.(+)	1NT.(-)	EXT.(+)	1NT.(-)	EXT.(+)	1NT.(-)	
19-1/8"	26"	60.0	60.0	75.0	75.0	80.0	120.0	
26-1/2"		60.0	60.0	75.0	75.0	80.0	120.0	
37"		60.0	60.0	75.0	75.0	80.0	120.0	
42"		(4)	60.0	60.0	75.0	75.0	80.0	120.0
48"		60.0	60.0	75.0	75.0	80.0	120.0	
53-1/8"	38-3/8"	60.0	60.0	75.0	75.0	80.0	120.0	
19-1/8"		60.0	60.0	75.0	75.0	80.0	120.0	
26-1/2"		60.0	60.0	75.0	75.0	80.0	120.0	
37"		60.0	60.0	75.0	75.0	80.0	120.0	
42"		(4)	60.0	60.0	75.0	75.0	80.0	120.0
48"	60.0	60.0	75.0	75.0	80.0	120.0		
53-1/8"	50-5/8"	60.0	60.0	75.0	75.0	80.0	120.0	
19-1/8"		60.0	60.0	75.0	75.0	80.0	120.0	
26-1/2"		60.0	60.0	75.0	75.0	80.0	120.0	
37"		60.0	60.0	75.0	75.0	80.0	120.0	
42"		(6)	60.0	60.0	75.0	75.0	80.0	120.0
48"	60.0	60.0	75.0	75.0	80.0	120.0		
53-1/8"	58"	60.0	60.0	75.0	75.0	80.0	120.0	
19-1/8"		60.0	60.0	75.0	75.0	80.0	120.0	
26-1/2"		60.0	60.0	75.0	75.0	80.0	120.0	
37"		60.0	60.0	75.0	75.0	80.0	120.0	
42"		(6)	60.0	60.0	75.0	75.0	80.0	120.0
48"	60.0	60.0	75.0	75.0	80.0	120.0		
53-1/8"	60"	60.0	60.0	75.0	75.0	80.0	106.7	
19-1/8"		60.0	60.0	75.0	75.0	80.0	120.0	
26-1/2"		60.0	60.0	75.0	75.0	80.0	120.0	
37"		60.0	60.0	75.0	75.0	80.0	120.0	
42"		(7)	60.0	60.0	75.0	75.0	80.0	120.0
48"	60.0	60.0	75.0	75.0	80.0	120.0		
53-1/8"	63"	60.0	60.0	75.0	75.0	80.0	104.6	
19-1/8"		60.0	60.0	75.0	75.0	80.0	120.0	
26-1/2"		60.0	60.0	75.0	75.0	80.0	120.0	
37"		60.0	60.0	75.0	75.0	80.0	120.0	
42"		(7)	60.0	60.0	75.0	75.0	80.0	120.0
48"	60.0	60.0	75.0	75.0	80.0	120.0		
53-1/8"	72"	60.0	60.0	75.0	75.0	80.0	101.9	
19-1/8"		60.0	60.0	75.0	75.0	80.0	120.0	
26-1/2"		60.0	60.0	75.0	75.0	80.0	120.0	
37"		60.0	60.0	75.0	75.0	80.0	120.0	
42"		(8)	60.0	60.0	75.0	75.0	80.0	120.0
48"	-	-	-	75.0	75.0	80.0	114.0	
53-1/8"	74-1/4"	-	-	75.0	75.0	80.0	95.5	
19-1/8"		60.0	60.0	75.0	75.0	80.0	120.0	
26-1/2"		60.0	60.0	75.0	75.0	80.0	120.0	
37"		60.0	60.0	75.0	75.0	80.0	120.0	
42"		(8)	60.0	60.0	75.0	75.0	80.0	120.0
48"	-	-	-	75.0	75.0	80.0	113.0	
53-1/8"	78"	-	-	75.0	75.0	80.0	94.3	
19-1/8"		60.0	60.0	75.0	75.0	80.0	120.0	
26-1/2"		60.0	60.0	75.0	75.0	80.0	120.0	
37"		60.0	60.0	75.0	75.0	80.0	120.0	
42"		(8)	60.0	60.0	75.0	75.0	80.0	120.0
48"	-	-	-	75.0	75.0	80.0	111.6	
53-1/8"	-	-	-	75.0	75.0	80.0	92.6	

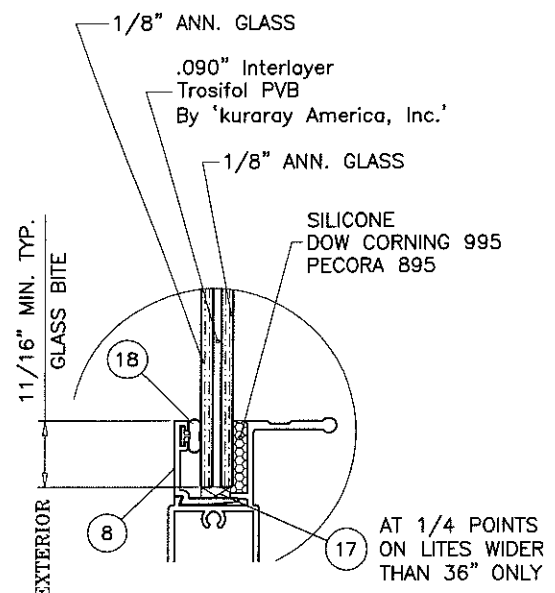
EQUAL LITES WINDOWS				
DESIGN LOAD CAPACITY - PSF 3 ANCHORS AT MTG. STILE ENDS				
WINDOW DIMS.		GLASS TYPE 'D'		
WIDTH	HEIGHT	EXT.(+)	1NT.(-)	
19-1/8"	26"	-	-	
26-1/2"		-	-	
37"		-	-	
42"		(4)	-	-
48"		-	-	
53-1/8"	38-3/8"	-	-	
19-1/8"		-	-	
26-1/2"		-	-	
37"		-	-	
42"		(4)	-	-
48"	-	-		
53-1/8"	50-5/8"	-	-	
19-1/8"		-	-	
26-1/2"		-	-	
37"		-	-	
42"		(7)	-	-
48"	-	-		
53-1/8"	58"	-	-	
19-1/8"		-	-	
26-1/2"		-	-	
37"		-	-	
42"		(7)	-	-
48"	-	-		
53-1/8"	60"	-	-	
19-1/8"		-	-	
26-1/2"		-	-	
37"		-	-	
42"		(8)	-	-
48"	-	-		
53-1/8"	63"	-	-	
19-1/8"		-	-	
26-1/2"		-	-	
37"		-	-	
42"		(8)	-	-
48"	-	-		
53-1/8"	72"	-	-	
19-1/8"		-	-	
26-1/2"		-	-	
37"		-	-	
42"		(9)	-	-
48"	-	80.0	120.0	
53-1/8"	74-1/4"	-	-	
19-1/8"		-	-	
26-1/2"		-	-	
37"		-	-	
42"		(9)	-	-
48"	-	80.0	120.0	
53-1/8"	78"	-	-	
19-1/8"		-	-	
26-1/2"		-	-	
37"		-	-	
42"		(9)	-	-
48"	-	80.0	120.0	
53-1/8"	-	80.0	120.0	



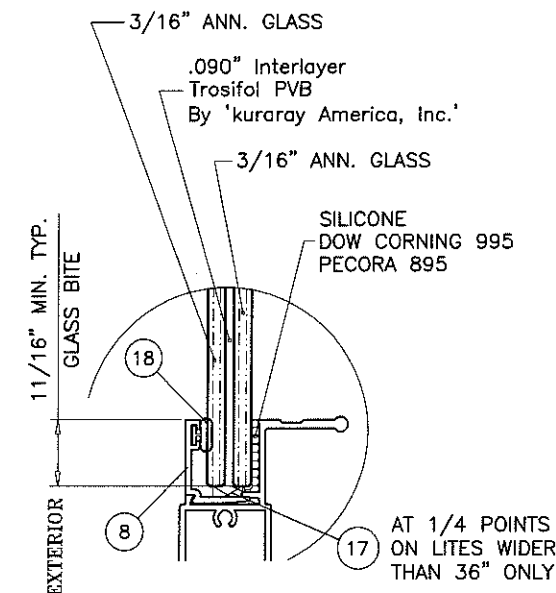
EQUAL LITES

NOTE:
GLASS CAPACITIES ON THIS SHEET ARE
BASED ON ASTM E1300-09 (3 SEC. GUSTS)
AND FLORIDA BUILDING COMMISSION
DECLARATORY STATEMENT DCA05-DEC-219

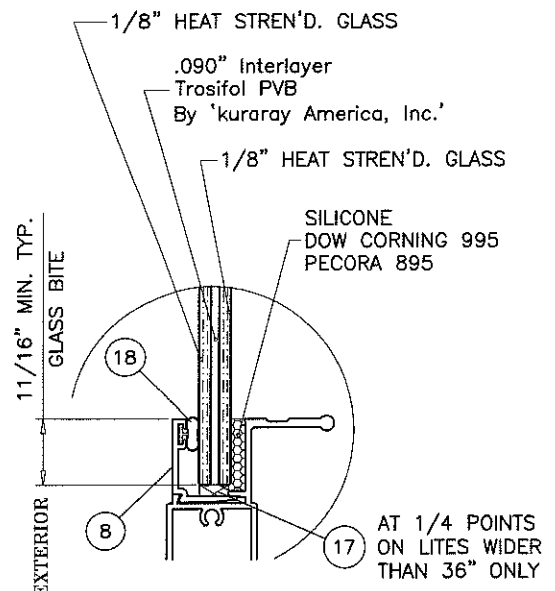
PRODUCT REVISED
as complying with the Florida
Building Code
Acceptance No. 17-101202
Expiration Date Oct 20, 2021
By *Manuel Perez*
Miami Made Product Control



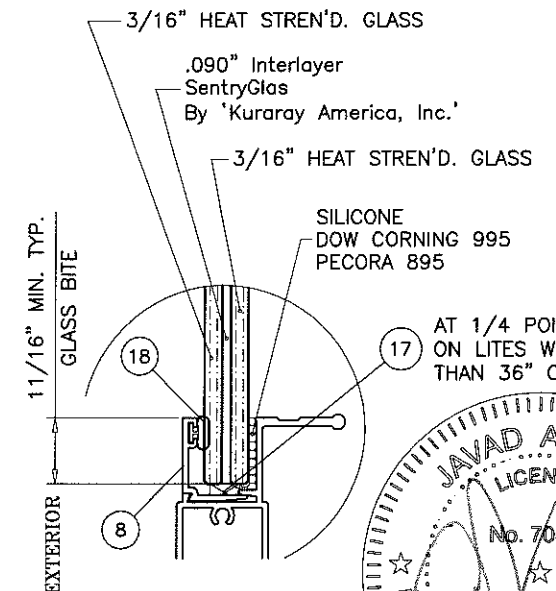
GLASS TYPE 'A'



GLASS TYPE 'B'



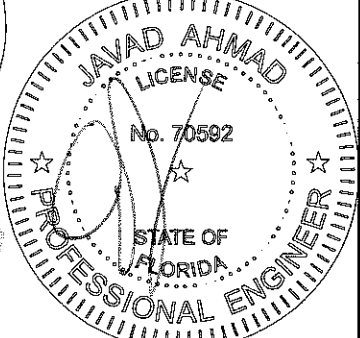
GLASS TYPE 'C'



GLASS TYPE 'D'

GLAZING OPTIONS

* NO. IN PARENTHESIS INDICATE NO. OF ANCHORS PER JAMB.



af c
AL-FAROOQ CORPORATION
ENGINEERS & PRODUCT DEVELOPMENT
9360 SUNSET DRIVE, SUITE 220 (C.A.N. 3538)
MIAMI, FLORIDA 33173 FAX. (305) 262-6978
TEL. (305) 264-8100 COMP-ANL\W11-38V

SERIES 100 ALUM SINGLE HUNG WDW. (L.M.I.)
Labrador & Fundora Corp.
dba-V & V Windows
2355 West 4th Ave.
Hialeah, FL 33010
TEL. (305) 888-4151 FAX. (305) 888-1042

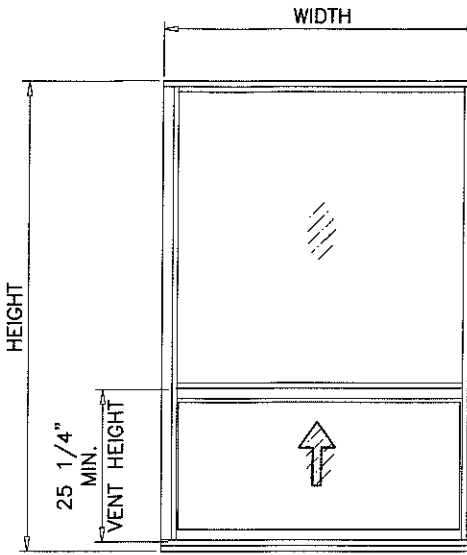
no	date	by	description
A	10.04.11		NO CHANGE THIS SHEET
B	02.06.15		UPDATED TO 2014 FBC
C	07.28.15		REV. PER PER COMMENTS
D	09.27.17		UPDATED TO 2017 FBC

date: 07-15-11
scale: -
dr. by: TARIQ
chk. by:
drawing no. W11-38
sheet 2 of 7

UNEQUAL LITES WINDOWS							
DESIGN LOAD CAPACITY - PSF 2 ANCHORS AT MTG. STILE ENDS							
WINDOW DIMS.		GLASS TYPE 'A'		GLASS TYPES 'B' & 'C'		GLASS TYPE 'D'	
WIDTH	HEIGHT	EXT.(+)	1NT.(-)	EXT.(+)	1NT.(-)	EXT.(+)	1NT.(-)
19-1/8"	50-5/8" (6)	60.0	60.0	75.0	75.0	80.0	120.0
26-1/2"		60.0	60.0	75.0	75.0	80.0	120.0
37"		60.0	60.0	75.0	75.0	80.0	120.0
42"		60.0	60.0	75.0	75.0	80.0	120.0
48"		60.0	60.0	75.0	75.0	80.0	120.0
53-1/8"		60.0	60.0	75.0	75.0	80.0	116.1
19-1/8"	58" (6)	60.0	60.0	75.0	75.0	80.0	120.0
26-1/2"		60.0	60.0	75.0	75.0	80.0	120.0
37"		60.0	60.0	75.0	75.0	80.0	120.0
42"		60.0	60.0	75.0	75.0	80.0	120.0
48"		60.0	60.0	75.0	75.0	80.0	120.0
53-1/8"		-	-	75.0	75.0	80.0	107.4
19-1/8"	60" (7)	60.0	60.0	75.0	75.0	80.0	120.0
26-1/2"		60.0	60.0	75.0	75.0	80.0	120.0
37"		60.0	60.0	75.0	75.0	80.0	120.0
42"		60.0	60.0	75.0	75.0	80.0	120.0
48"		-	-	75.0	75.0	80.0	120.0
53-1/8"		-	-	75.0	75.0	80.0	105.8
19-1/8"	63" (7)	60.0	60.0	75.0	75.0	80.0	120.0
26-1/2"		60.0	60.0	75.0	75.0	80.0	120.0
37"		60.0	60.0	75.0	75.0	80.0	120.0
42"		60.0	60.0	75.0	75.0	80.0	120.0
48"		-	-	75.0	75.0	80.0	120.0
53-1/8"		-	-	75.0	75.0	80.0	103.8
19-1/8"	72" (8)	60.0	60.0	75.0	75.0	80.0	120.0
26-1/2"		60.0	60.0	75.0	75.0	80.0	120.0
37"		-	-	75.0	75.0	80.0	120.0
42"		-	-	75.0	75.0	80.0	120.0
48"		-	-	-	-	80.0	120.0
53-1/8"		-	-	-	-	80.0	100.6
19-1/8"	74-1/4" (8)	60.0	60.0	75.0	75.0	80.0	120.0
26-1/2"		60.0	60.0	75.0	75.0	80.0	120.0
37"		-	-	75.0	75.0	80.0	120.0
42"		-	-	75.0	75.0	80.0	120.0
48"		-	-	-	-	80.0	120.0
53-1/8"		-	-	-	-	80.0	100.4
19-1/8"	78" (8)	60.0	60.0	75.0	75.0	80.0	120.0
26-1/2"		60.0	60.0	75.0	75.0	80.0	120.0
37"		-	-	75.0	75.0	80.0	120.0
42"		-	-	-	-	80.0	120.0
48"		-	-	-	-	80.0	120.0
53-1/8"		-	-	-	-	80.0	100.4

UNEQUAL LITES WINDOWS					
DESIGN LOAD CAPACITY - PSF 3 ANCHORS AT MTG. STILE ENDS					
WINDOW DIMS.		GLASS TYPE 'D'			
WIDTH	HEIGHT	EXT.(+)	1NT.(-)	EXT.(+)	1NT.(-)
19-1/8"	50-5/8" (6)	-	-	-	-
26-1/2"		-	-	-	-
37"		-	-	-	-
42"		-	-	-	-
48"		-	-	-	-
53-1/8"		80.0	120.0	-	-
19-1/8"	58" (6)	-	-	-	-
26-1/2"		-	-	-	-
37"		-	-	-	-
42"		-	-	-	-
48"		-	-	-	-
53-1/8"		80.0	120.0	-	-
19-1/8"	60" (7)	-	-	-	-
26-1/2"		-	-	-	-
37"		-	-	-	-
42"		-	-	-	-
48"		-	-	-	-
53-1/8"		80.0	120.0	-	-
19-1/8"	63" (7)	-	-	-	-
26-1/2"		-	-	-	-
37"		-	-	-	-
42"		-	-	-	-
48"		-	-	-	-
53-1/8"		80.0	120.0	-	-
19-1/8"	72" (8)	-	-	-	-
26-1/2"		-	-	-	-
37"		-	-	-	-
42"		-	-	-	-
48"		-	-	-	-
53-1/8"		80.0	120.0	-	-
19-1/8"	74-1/4" (8)	-	-	-	-
26-1/2"		-	-	-	-
37"		-	-	-	-
42"		-	-	-	-
48"		-	-	-	-
53-1/8"		80.0	120.0	-	-
19-1/8"	78" (8)	-	-	-	-
26-1/2"		-	-	-	-
37"		-	-	-	-
42"		-	-	-	-
48"		-	-	-	-
53-1/8"		80.0	120.0	-	-

* NO. IN PARENTHESIS INDICATE NO. OF ANCHORS PER JAMB.

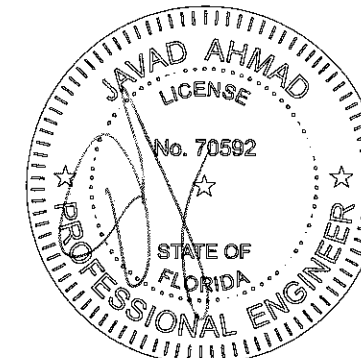


UNEQUAL LITES (ORIEL TYPE)

NOTE:
GLASS CAPACITIES ON THIS SHEET ARE
BASED ON ASTM E1300-09 (3 SEC. GUSTS)
AND FLORIDA BUILDING COMMISSION
DECLARATORY STATEMENT DCA05-DEC-219

PRODUCT REVISED
as complying with the Florida
Building Code
Acceptance No. 17-1018.02
Expiration Date Oct 20, 2021
By *Manuel Perez*
Miami Dade Product Control

SEP 29 2017



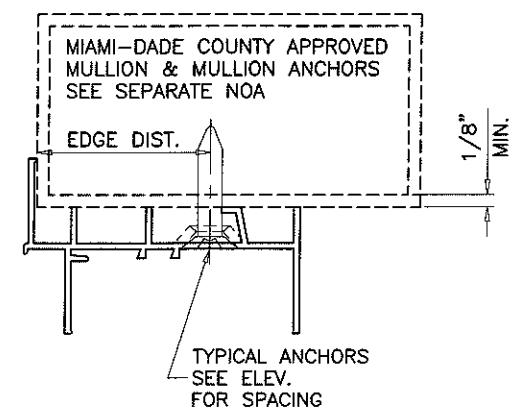
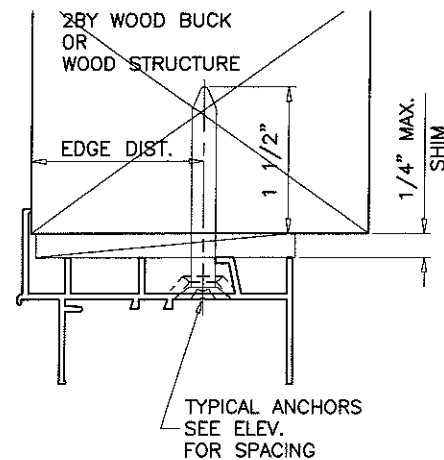
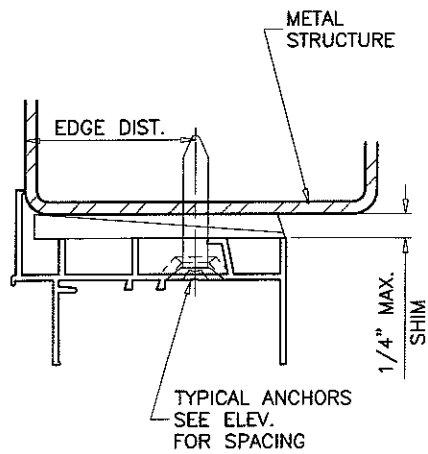
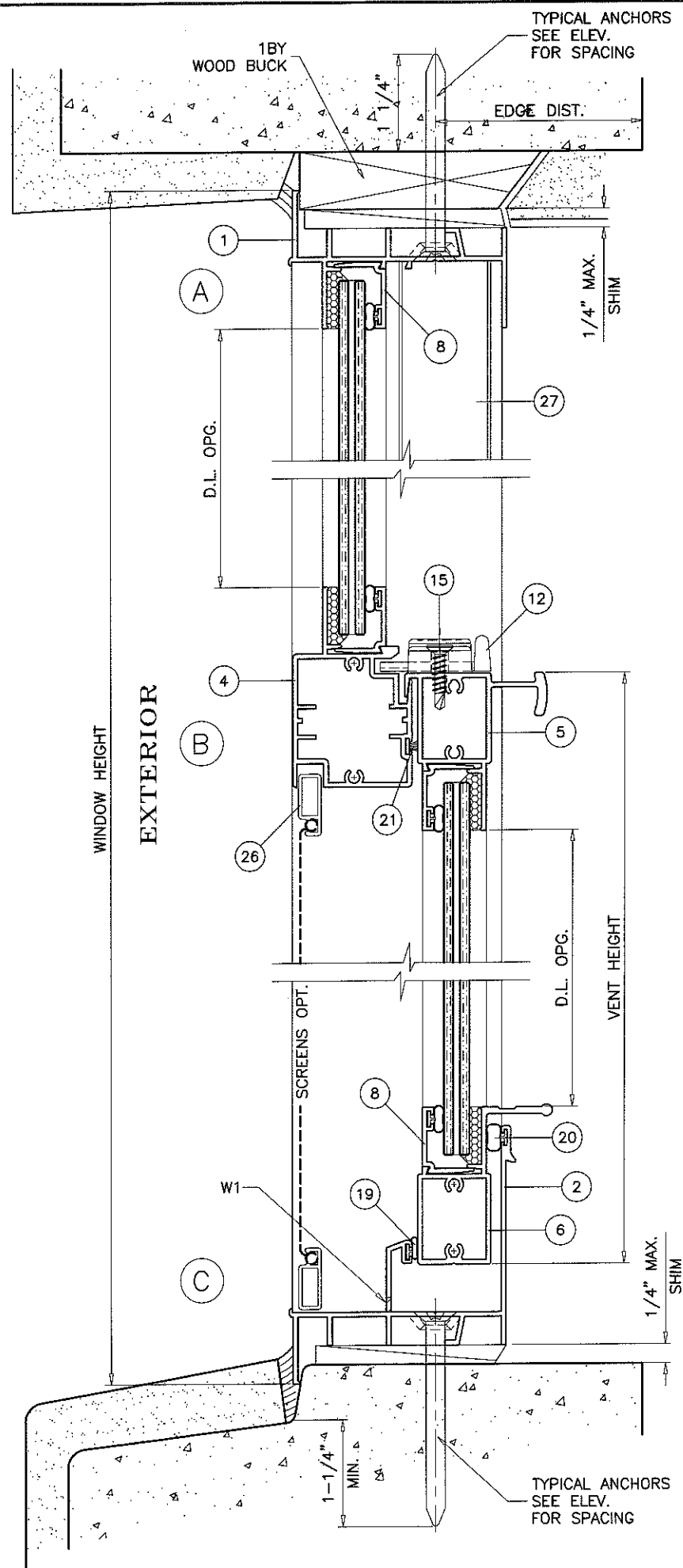
afc
AL-FAROOQ CORPORATION
ENGINEERS & PRODUCT DEVELOPMENT
9360 SUNSET DRIVE, SUITE 220 (C.A.N. 3538)
MIAMI, FLORIDA 33173
TEL. (305) 264-8100 FAX. (305) 262-6978
COMP-ANL\W11-38W

SERIES 100 ALUM SINGLE HUNG WDW. (L.M.I.)
Labrador & Fundora Corp.
dba-V & V Windows
2355 West 4th Ave.
Hialeah, FL 33010
TEL. (305) 888-4151 FAX. (305) 888-1042

no	date	by	description
A	10.04.11		NO CHANGE THIS SHEET
B	02.06.15		UPDATED TO 2014 FBC
C	07.28.15		REV. PER RER COMMENTS
D	09.27.17		UPDATED TO 2017 FBC

date: 07-15-11
scale: -
dr. by: TARIQ
chk. by:

drawing no.
W11-38
sheet 3 of 7



WOOD BUCKS AND METAL STRUCTURE NOT BY V & V WDW. MUST SUSTAIN LOADS IMPOSED BY GLAZING SYSTEM AND TRANSFER THEM TO THE BUILDING STRUCTURE.

TYPICAL ANCHORS: SEE ELEV. FOR SPACING

1/4" DIA. ULTRACON BY 'ELCO' (Fu=177 KSI, Fy=155 KSI)
 INTO 2BY WOOD BUCKS OR WOOD STRUCTURES
 1-1/2" MIN. PENETRATION INTO WOOD (HEAD/SILL/JAMBS)

THRU 1BY BUCKS INTO CONC. OR BLOCKS
 1-1/4" MIN. EMBED INTO CONCRETE (HEAD/SILL/JAMBS)
 1-1/4" MIN. EMBED INTO BLOCKS (JAMBS)

DIRECTLY INTO CONCRETE OR BLOCKS
 1-1/4" MIN. EMBED INTO CONCRETE (HEAD/SILL/JAMBS)
 1-1/4" MIN. EMBED INTO BLOCKS (JAMBS)

#14 SMS OR SELF DRILLING SCREWS (GRADE 2 CRS)
 INTO MIAMI-DADE COUNTY APPROVED MULLIONS OR
 INTO METAL STRUCTURES (HEAD/SILL/JAMBS)
 (3) THREADS MIN. PENETRATION BEYOND SUBSTRATE
 ALUMINUM: 1/8" THK. MIN. (6063-T5 MIN.)
 STEEL: 1/8" THK. MIN. (Fy = 36 KSI MIN.)
 (STEEL IN CONTACT WITH ALUMINUM TO BE PLATED OR PAINTED)

TYPICAL EDGE DISTANCE

INTO CONCRETE AND MASONRY = 2-1/2" MIN.
 INTO WOOD STRUCTURE = 1" MIN.
 INTO METAL STRUCTURE = 3/4" MIN.

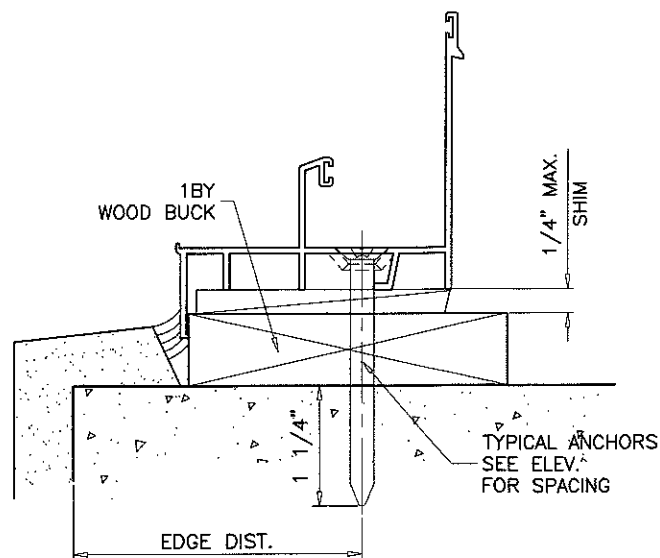
WOOD AT HEAD, SILL OR JAMBS SG = 0.55 MIN.
 CONCRETE AT HEAD, SILL OR JAMBS f'c = 3000 PSI MIN.
 C-90 HOLLOW/FILLED NORMAL WEIGHT BLOCK AT JAMBS f'm = 2000 PSI MIN.

WEEPHOLES:

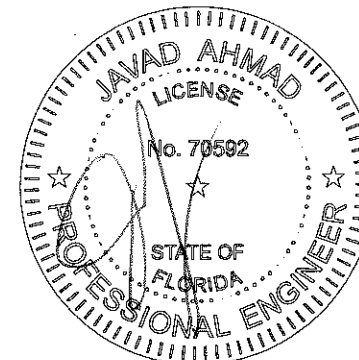
W1 = 3/16" X 3/4" WEEP SLOT AT 1-3/8" FROM EACH END

SEALANT:

ALL FRAME AND VENT CORNERS, INSTALLATION SCREWS AT SILL AND ALL METAL PARTS CONNECTIONS SEALED WITH PTI SILICONE.



PRODUCT REVISED
 as complying with the Florida
 Building Code
 Acceptance No. 17-1016-02
 Expiration Date 02-20-2021
 By: *Manuel Cruz*
 Miami Dade Product Control



af c
AL-FAROOQ CORPORATION
 ENGINEERS & PRODUCT DEVELOPMENT
 9360 SUNSET DRIVE, SUITE 220
 MIAMI, FLORIDA 33173 (C.A.N. 3538)
 TEL. (305) 264-8100 FAX. (305) 262-6978
 COMP-ANL\W11-38W

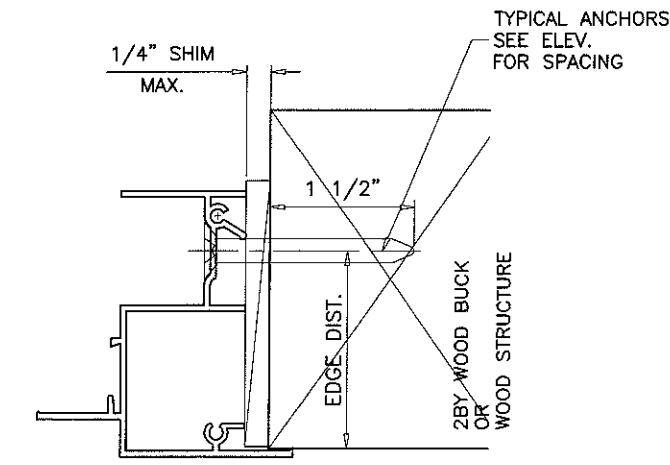
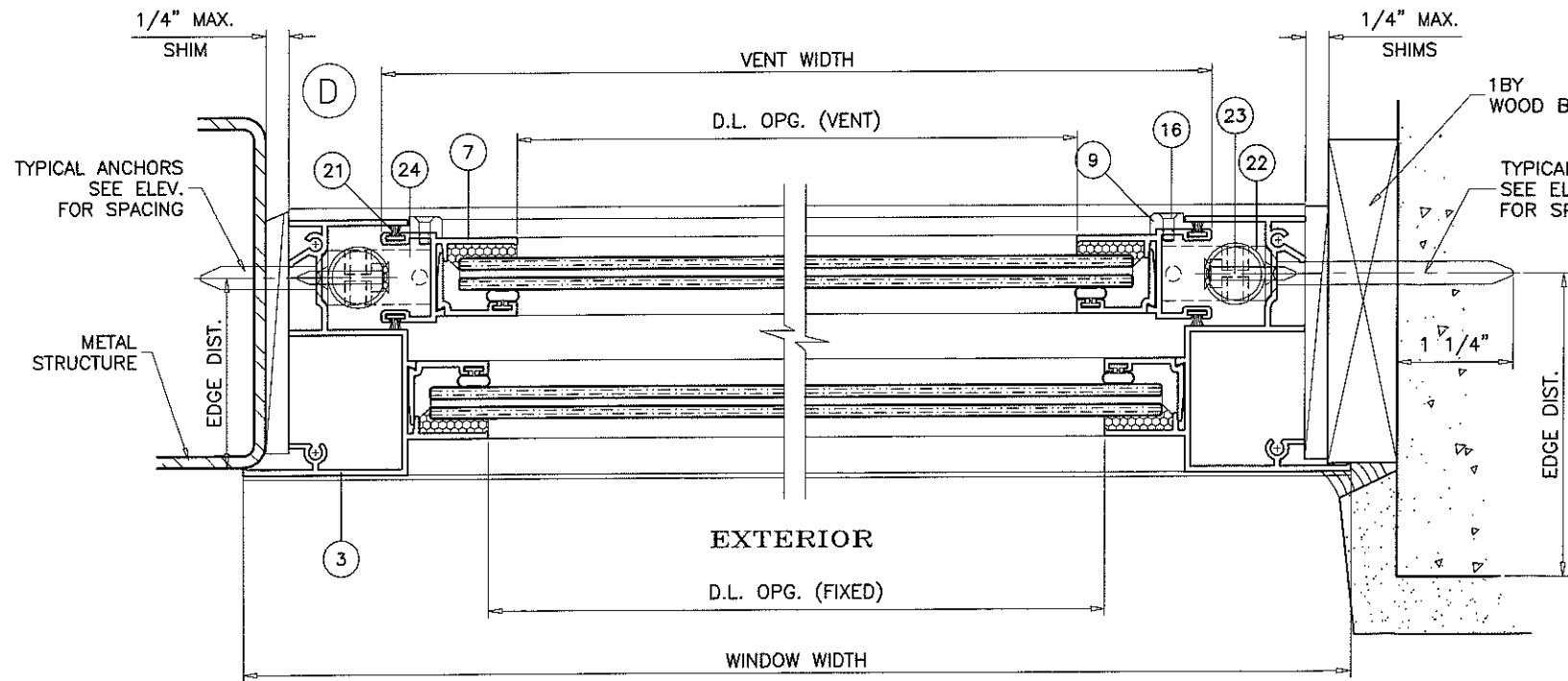
SERIES 100 ALUM SINGLE HUNG WDW. (L.M.I.)
 Labrador & Fundora Corp.
 dba-V & V Windows
 2355 West 4th Ave.
 Hialeah, Fl. 33010
 TEL. (305) 888-4151 FAX. (305) 888-1042

no	date	description
A	10.04.11	REV. PER BNC COMMENTS
B	02.06.15	UPDATED TO 2014 FBC
C	07.28.15	REV. PER RER COMMENTS
D	09.27.17	UPDATED TO 2017 FBC

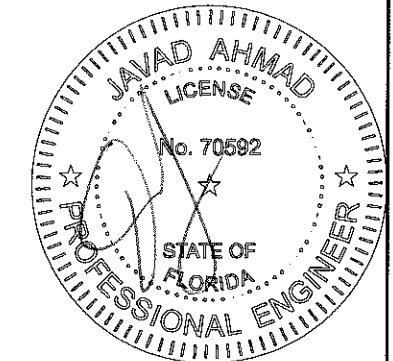
date: 07-15-11
 scale: 1/2" = 1"
 dr. by: TARIQ
 chk. by:

drawing no.
W11-38
 sheet 4 of 7

ITEM	PART #	QUANTITY	DESCRIPTION	MATERIAL	MANF./SUPPLIER/REMARKS
1	V101	1	FRAME HEAD	6063-T6	-
2	V102	1	FRAME SILL	6063-T6	-
3	V103	2	FRAME JAMB	6063-T6	-
4	V104	1/ VENT	FIXED MTG. RAIL	6063-T6	-
5	V105	1/ VENT	VENT TOP RAIL	6063-T6	-
6	V106	1/ VENT	VENT BOTTOM RAIL	6063-T6	-
7	V107	2/ VENT	VENT SIDE RAIL	6063-T6	-
8	V108	AS REQD.	GLAZING BEAD	6063-T6	-
9	V109	4	SASH GUIDE	NYLON	-
10A	-	AS REQD.	1X4 STD. MULLION	6063-T6	-
10B	-	AS REQD.	1X4 CUSTOM MULLION	6063-T6	-
12	SL203	2/ VENT	SWEEP LATCH	-	SULLIVAN & ASSOC.
13	#8 X 1-1/4"	AS REQD.	FRAME/VENT ASSEMBLY SCREWS	-	PH SMS
14	#8 X 1/2"	2	BOTTOM RAIL LOWER SCREW	-	PH SMS
15	#8 X 1/2"	2	LATCH INSTALLATION SCREW	-	OH SMS
16	#6 X 1"	4	SASH GUIDE INSTALLATION SCREW	-	OH SMS
17	-	2/ LITE	SETTING BLOCKS	EPDM	DUROMETER 80±5 SHORE A
18	9146QU	AS REQD.	GLAZING BEAD BULB	NEOPRENE	ULTRAFAB, DUAL DUROMETER, T-SLOT=50, BULB=73
19	9146QU	AS REQD.	BULB SEAL	NEOPRENE	ULTRAFAB, DUAL DUROMETER, T-SLOT=50, BULB=73
20	-	AS REQD.	FRAME SILL W'STRIPPING	NEOPRENE	-
21	W222122G	AS REQD.	FIN SEAL W'STRIPPING	WOOL	ULTRAFAB
22	-	2	SUPERBOOST BALANCES	-	BALANCE SYSTEMS INC.
23	#10 X 1"	1/ BALANCE	BALANCE MOUNTING SCREWS	-	FH SMS
24	-	1/ BALANCE	BALANCE CONNECTING CLIP	-	-
25	#8 X 1/2"	2/ BALANCE	CONNECTING CLIP SCREWS	-	OH SMS
26	-	AS REQD.	5/16" BOX SCREEN	-	OPTIONAL
27	2/ WDW.	AS REQD.	SASH STOP (3" LONG)	RIGID PVC	-



PRODUCT REVISED
 as complying with the Florida
 Building Code
 Acceptance No. 17-1018-02
 Expiration Date Oct. 20, 2021
 By *Manuel Jesus*
 Miami Dade Product Control



af c
AL-FAROOQ CORPORATION
 ENGINEERS & PRODUCT DEVELOPMENT
 9360 SUNSET DRIVE, SUITE 220
 MIAMI, FLORIDA 33173
 TEL. (305) 264-8100 FAX. (305) 262-6978
 (C.A.N. 3538)

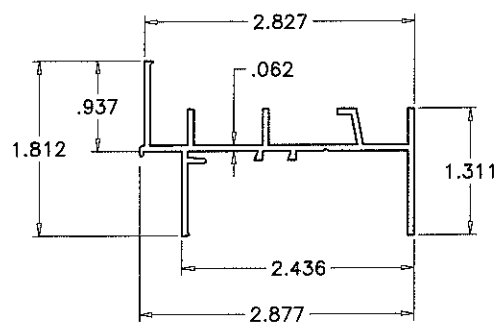
SERIES 100 ALUM SINGLE HUNG WDW. (L.M.I.)
 Labrador & Fundora Corp.
 dba - V & V Windows
 2355 West 4th Ave.
 Hialeah, Fl. 33010
 TEL. (305) 888-4151 FAX. (305) 888-1042

no	date	by	description
A	10.04.11	REV. PER BNC COMMENTS	
B	02.06.15	UPDATED TO 2014 FBC	
C	07.28.15	NO CHANGE THIS SHEET	
D	09.27.17	UPDATED TO 2017 FBC	

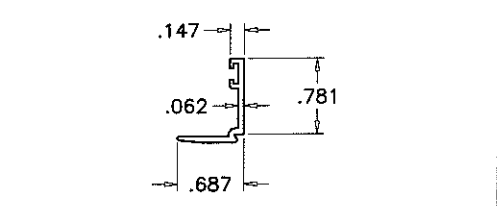
date: 07-15-11
 scale: 1/2" = 1"
 dr. by: TARIQ
 chk. by:

drawing no.
W11-38
 sheet 5 of 7

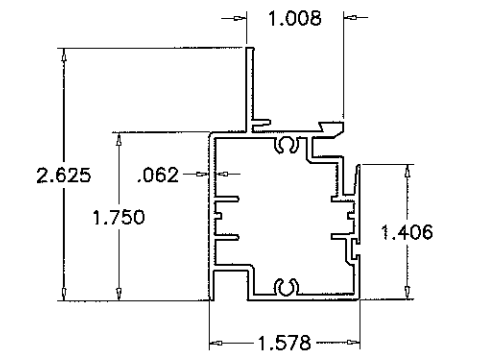
COMP-ANL W11-38W



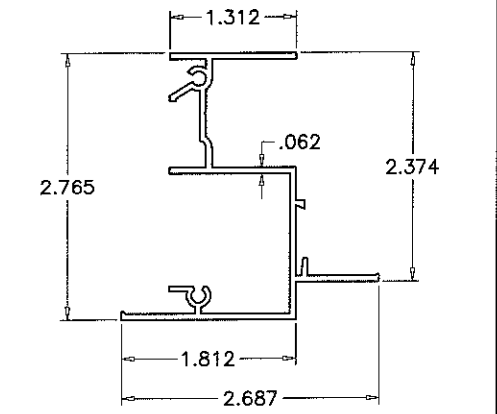
1 FRAME HEAD



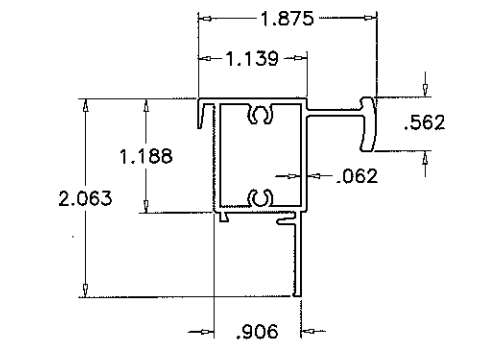
8 GLAZING BEAD



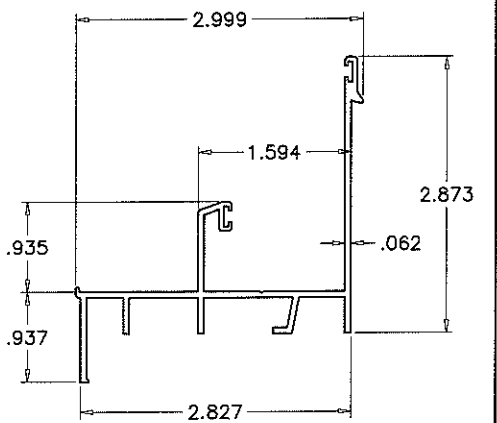
4 FIXED MEETING RAIL



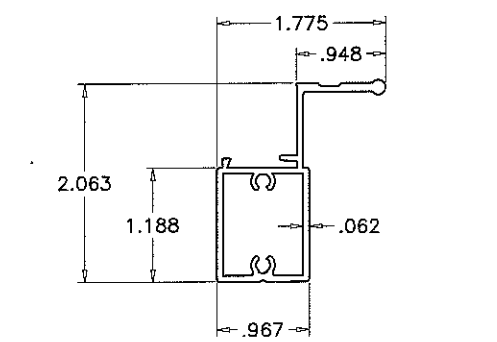
3 FRAME JAMB



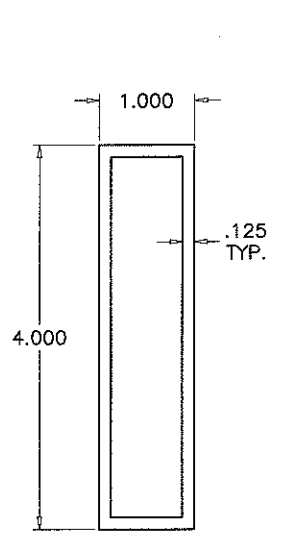
5 VENT TOP RAIL



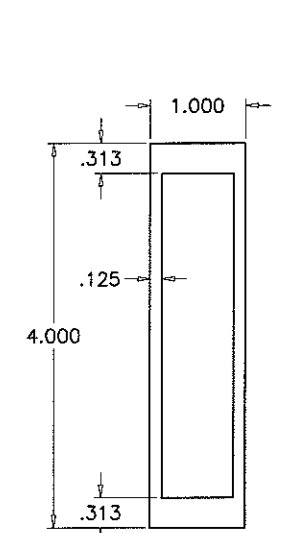
2 FRAME SILL



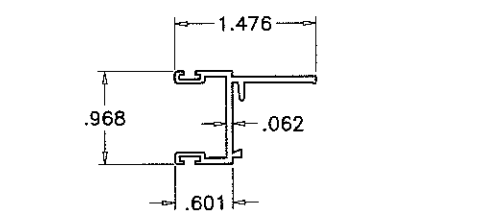
6 VENT BOTTOM RAIL



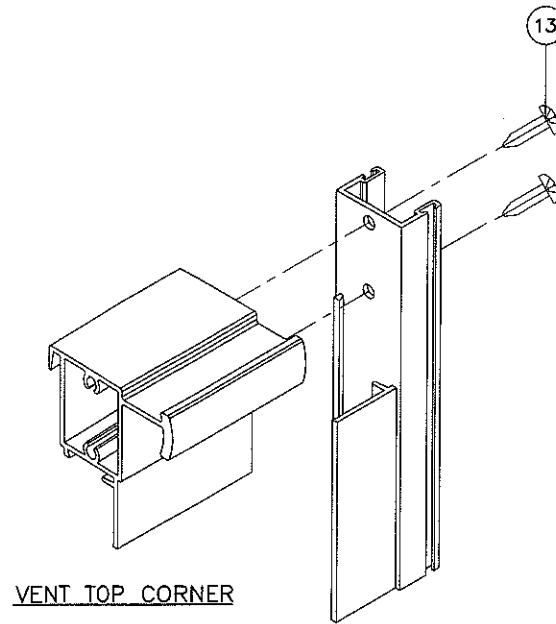
10A 1 X 4 STD. MULLION 6063-T6



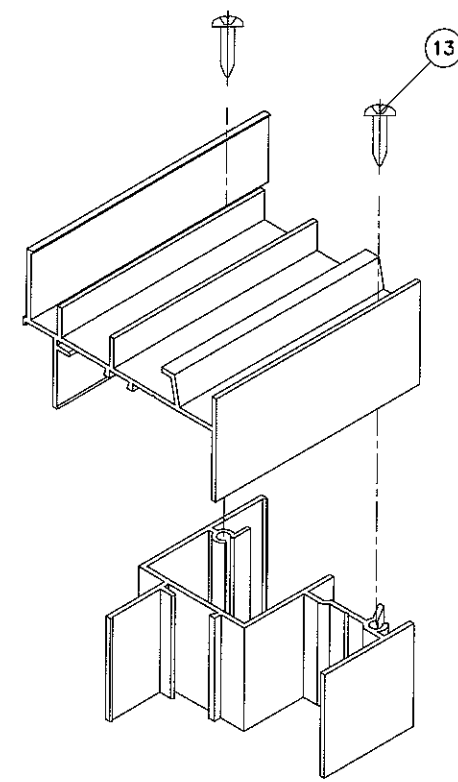
10B 1 X 4 CUSTOM MULLION 6063-T6



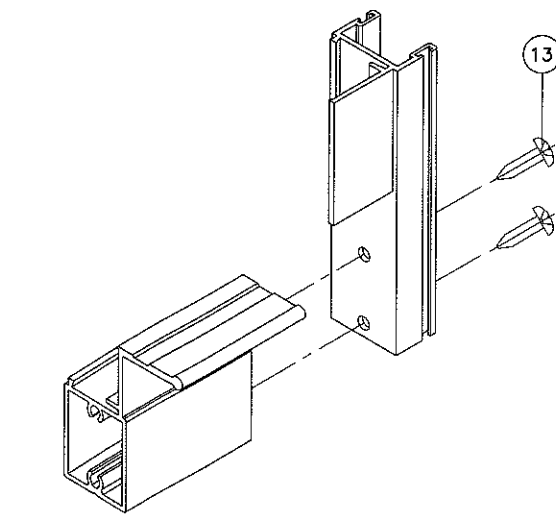
7 VENT SIDE RAIL



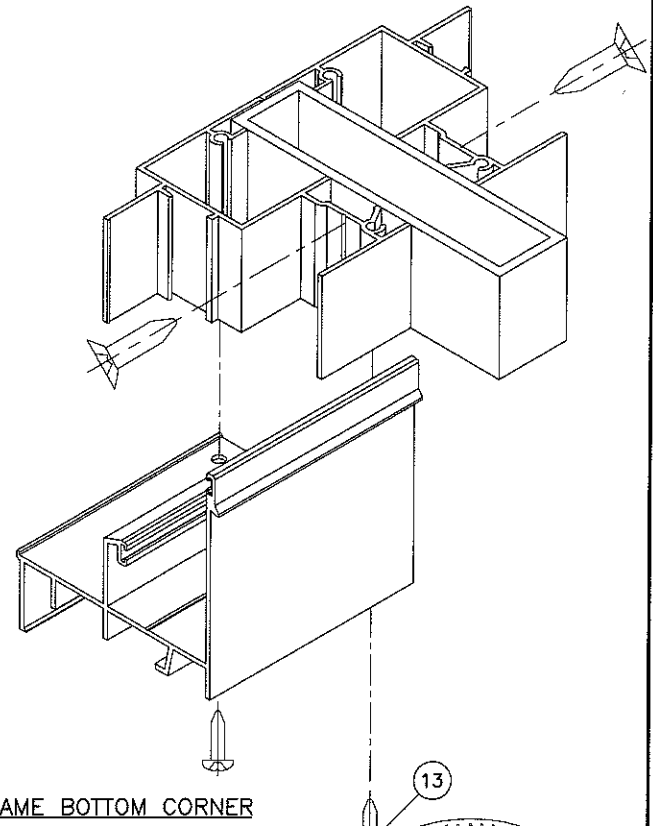
VENT TOP CORNER



FRAME TOP CORNER

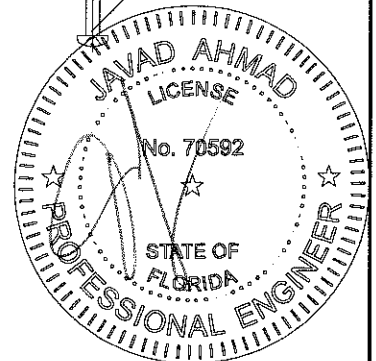


VENT BOTTOM CORNER



FRAME BOTTOM CORNER

PRODUCT REVISED
 as complying with the Florida
 Building Code
 Acceptance No. 17-1018.02
 Expiration Date Oct 20, 2021
 By: *Manuel Perez* SEP 29 2017
 Miami Dade Product Control



af c
AL-FAROOQ CORPORATION
 ENGINEERS & PRODUCT DEVELOPMENT
 9360 SUNSET DRIVE, SUITE 220
 MIAMI, FLORIDA 33173 (C.A.N. 3538)
 TEL. (305) 264-8100 FAX. (305) 262-6978
 COMP-ANL\W11-38W

SERIES 100 ALUM SINGLE HUNG WDW. (L.M.I.)
 Labrador & Fundora Corp.
 dba-V & V Windows
 2355 West 4th Ave.
 Hialeah, FL 33010
 TEL. (305) 888-4151 FAX. (305) 888-1042

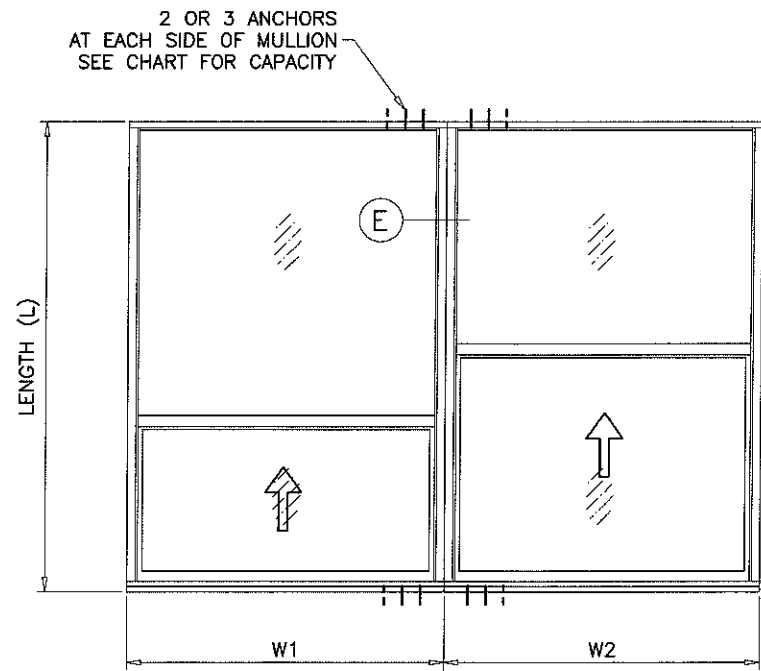
no	date	description	by
A	10.04.11	REV. PER BNC COMMENTS	
B	02.06.15	NO CHANGE THIS SHEET	
C	07.28.15	REV. PER RER COMMENTS	
D	09.27.17	UPDATED TO 2017 FBC	

date: 07-15-11
 scale: 1/2" = 1"
 dr. by: TARIQ
 chk. by:

drawing no.
W11-38
 sheet 6 of 7

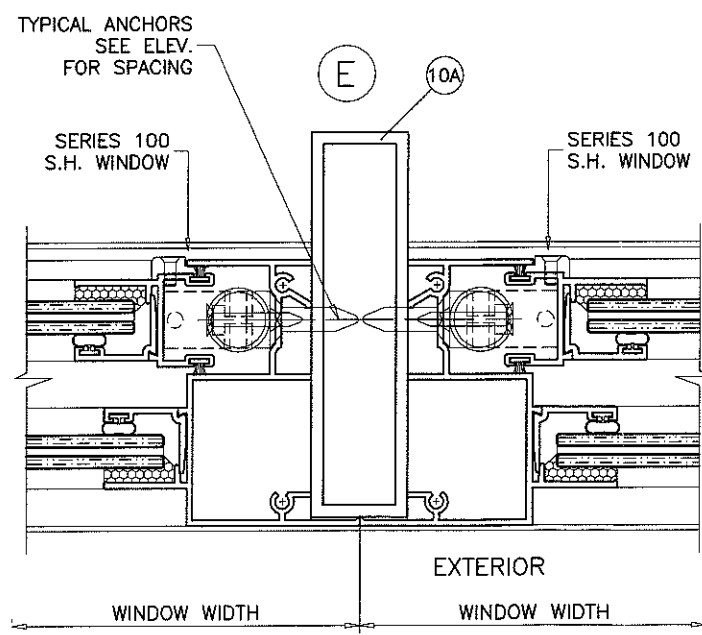
MULLION LOAD CAPACITY - PSF					
WINDOW DIMS.		2 ANCHORS AT EACH SIDE OF MULL		3 ANCHORS AT EACH SIDE OF MULL	
		1 X 4 STD. MULL	1 X 4 CUSTOM MULL	1 X 4 STD. MULL	1 X 4 CUSTOM MULL
WIDTH (W)	LENGTH (L)	EXT.(+) INT.(-)	EXT.(+) INT.(-)	EXT.(+) INT.(-)	EXT.(+) INT.(-)
19-1/8"	50-5/8"	120.0	120.0	120.0	120.0
26-1/2"		120.0	120.0	120.0	120.0
37"		120.0	120.0	120.0	120.0
42"		120.0	120.0	120.0	120.0
48"		120.0	120.0	120.0	120.0
53-1/8"		120.0	120.0	120.0	120.0
19-1/8"	58"	120.0	120.0	120.0	120.0
26-1/2"		120.0	120.0	120.0	120.0
37"		120.0	120.0	120.0	120.0
42"		120.0	120.0	120.0	120.0
48"		120.0	120.0	120.0	120.0
53-1/8"		120.0	120.0	120.0	120.0
19-1/8"	60"	120.0	120.0	120.0	120.0
26-1/2"		120.0	120.0	120.0	120.0
37"		120.0	120.0	120.0	120.0
42"		120.0	120.0	120.0	120.0
48"		120.0	120.0	120.0	120.0
53-1/8"		116.7	116.7	120.0	120.0
19-1/8"	63"	120.0	120.0	120.0	120.0
26-1/2"		120.0	120.0	120.0	120.0
37"		120.0	120.0	120.0	120.0
42"		117.6	117.6	120.0	120.0
48"		110.8	110.8	120.0	120.0
53-1/8"		107.1	107.1	120.0	120.0
19-1/8"	72"	120.0	120.0	120.0	120.0
26-1/2"		120.0	120.0	120.0	120.0
37"		104.8	104.8	120.0	120.0
42"		96.8	96.8	120.0	120.0
48"		90.0	90.0	115.0	120.0
53-1/8"		85.9	85.9	108.2	120.0
19-1/8"	74-1/4"	120.0	120.0	120.0	120.0
26-1/2"		120.0	120.0	120.0	120.0
37"		100.5	100.5	120.0	120.0
42"		92.7	92.7	117.5	120.0
48"		86.0	86.0	106.8	120.0
53-1/8"		81.9	81.9	100.2	120.0
19-1/8"	78"	120.0	120.0	120.0	120.0
26-1/2"		120.0	120.0	120.0	120.0
37"		94.2	94.2	116.4	120.0
42"		86.6	86.6	104.9	120.0
48"		80.0	80.0	94.9	119.2
53-1/8"		75.9	75.9	88.7	111.4

UN-CLIPPED MULLIONS



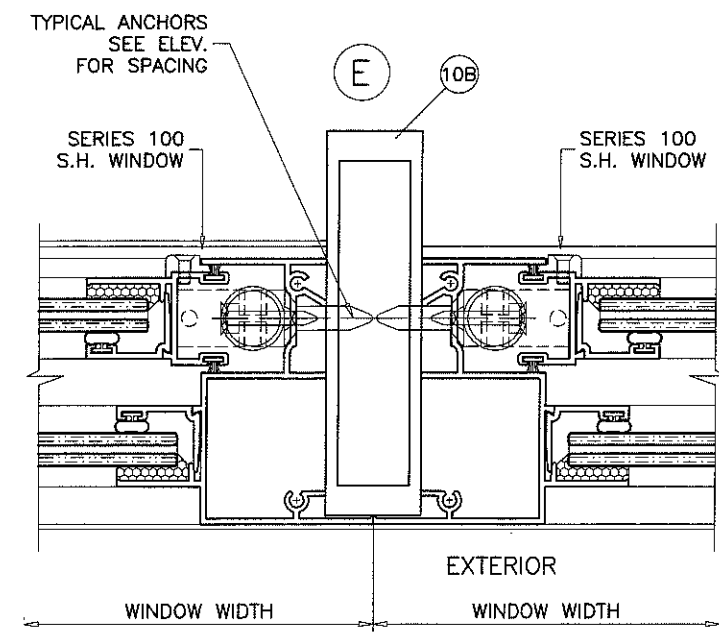
TYPICAL ELEVATION
SIDE BY SIDE WINDOWS
SIDE BY SIDE APPLIES TO TWO OR MORE WINDOWS

$$WIDTH (W) = \frac{W1 + W2}{2}$$



1X4 STD. MULLION

TOTAL PROPERTIES
Ix = 3.2036 IN\4
Sx = 1.6018 IN\3



1X4 CUSTOM MULLION

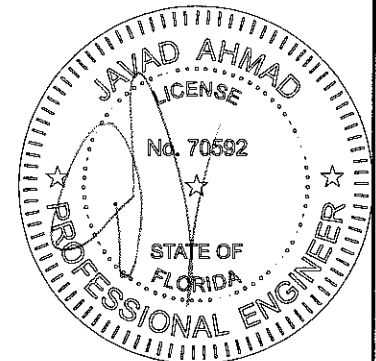
TOTAL PROPERTIES
Ix = 4.0996 IN\4
Sx = 2.0498 IN\3

NOTES:

- USE CHART ON THIS SHEET FOR SIDE BY SIDE CONNECTION CAPACITY OF WINDOW MULLION.
- FOR SINGLE HUNG WINDOW CAPACITY SEE SHEETS 2 & 3.
- LOWER VALUES FROM STEPS 1 OR 2 WILL APPLY TO ENTIRE SYSTEM.

PRODUCT REVISED
as complying with the Florida
Building Code
Acceptance No. 17-1018.02
Expiration Date Oct. 20, 2021

By *Manuel B...*
Miami/Dade Product Control



af c

AL-FAROOQ CORPORATION
ENGINEERS & PRODUCT DEVELOPMENT
9360 SUNSET DRIVE, SUITE 220
MIAMI, FLORIDA 33173
TEL. (305) 264-8100 FAX. (305) 262-6978

COMP-ANI\W11-38W

SERIES 100 ALUM SINGLE HUNG WDW. (L.M.I.)

Labrador & Fundora Corp.
dba - V & V Windows
2355 West 4th Ave.
Hialeah, FL 33010
TEL. (305) 888-4151 FAX. (305) 888-1042

no	date	by	description
A	10.04.11	REV. PER BNC COMMENTS	
B	02.06.15	UPDATED TO 2014 FBC	
C	07.28.15	NO CHANGE THIS SHEET	
D	09.27.17	UPDATED TO 2017 FBC	

date:	07-15-11
scale:	1/2" = 1"
dr. by:	TARIO
chk. by:	

drawing no.
W11-38
sheet 7 of 7