



DEPARTMENT OF REGULATORY AND ECONOMIC RESOURCES (RER)
BOARD AND CODE ADMINISTRATION DIVISION

MIAMI-DADE COUNTY
PRODUCT CONTROL SECTION
11805 SW 26 Street, Room 208
Miami, Florida 33175-2474
T (786) 315-2590 F (786) 315-2599

NOTICE OF ACCEPTANCE (NOA)

www.miamidade.gov/economy

Firestone Building Products Company, LLC
2 Dell Parkway
Nashville, TN 37217

SCOPE:

This NOA is being issued under the applicable rules and regulations governing the use of construction materials. The documentation submitted has been reviewed and accepted by Miami-Dade County RER- Product Control Section to be used in Miami Dade County and other areas where allowed by the Authority Having Jurisdiction (AHJ).

This NOA shall not be valid after the expiration date stated below. The Miami-Dade County Product Control Section (In Miami Dade County) and/or the AHJ (in areas other than Miami Dade County) reserve the right to have this product or material tested for quality assurance purposes. If this product or material fails to perform in the accepted manner, the manufacturer will incur the expense of such testing and the AHJ may immediately revoke, modify, or suspend the use of such product or material within their jurisdiction. RER reserves the right to revoke this acceptance, if it is determined by Miami-Dade County Product Control Section that this product or material fails to meet the requirements of the applicable building code.

This product is approved as described herein, and has been designed to comply with the High Velocity Hurricane Zone of the Florida Building Code.

DESCRIPTION: (UC – 6) Structural Standing Seam Roof Panel System

APPROVAL DOCUMENT: Drawing No. UC-6, titled “ UC-6 Structural Standing Seam System”, sheets 1 through 6 of 6, prepared by Terrence E. Wolfe, P.E., dated January 08, 2018, signed and sealed by Terrence E. Wolfe, P.E on January 17, 2017, bearing the Miami-Dade County Product Control Revision stamp with the Notice of Acceptance number and the expiration date by the Miami-Dade County Product Control Section.

MISSILE IMPACT RATING: Large and Small Missile Impact Resistant

LABELING: Each panel shall bear a permanent label with the manufacturer's name or logo, Collage Park, GA; Anoka, MN; Las Vegas, NV; Warren, MI, and the statement: "Miami-Dade County Product Control Approved", unless otherwise noted herein.

RENEWAL of this NOA shall be considered after a renewal application has been filed and there has been no change in the applicable building code negatively affecting the performance of this product.

TERMINATION of this NOA will occur after the expiration date or if there has been a revision or change in the materials, use, and/or manufacture of the product or process. Misuse of this NOA as an endorsement of any product, for sales, advertising or any other purposes shall automatically terminate this NOA. Failure to comply with any section of this NOA shall be cause for termination and removal of NOA.

ADVERTISEMENT: The NOA number preceded by the words Miami-Dade County, Florida, and followed by the expiration date may be displayed in advertising literature. If any portion of the NOA is displayed, then it shall be done in its entirety.

INSPECTION: A copy of this entire NOA shall be provided to the user by the manufacturer or its distributors and shall be available for inspection at the job site at the request of the Building Official.

This NOA **revises & renews** NOA # **10-1214.04** and consists of this page 1, evidence submitted pages E-1, E-2, & E-3 as well as approval document mentioned above.

The submitted documentation was reviewed by **Helmy A. Makar, P.E., M.S.**



Helmy A. Makar
02/01/2018

NOA No. 17-1030.01
Expiration Date: 02/06/2023
Approval Date: 02/01/2018
Page 1

Firestone Building Products Company, LLC

NOTICE OF ACCEPTANCE: EVIDENCE SUBMITTED

1. EVIDENCE SUBMITTED UNDER PREVIOUS APPROVAL # 01-0509.12

A. DRAWINGS

1. *Drawing No. UC-6, titled "Copper Sales, Inc. UC-6 Structural Standing Seam System", sheets 1 through 6 of 6, prepared by Terrence E. Wolfe, P.E., dated January 07, 2003, signed and sealed by Terrence E. Wolfe, P.E.*

B. TESTS

1. *Test report on Accelerated Weathering Testing of Coating 2000 hours per ASTM G26-96, prepared by Asphalt Technologies, dated October 8, 2002, signed and sealed by Charles L. Thomas, P.E.*
2. *Test report on Salt Spray Testing of Coating 1000 hours per ASTM B117-95, prepared by Asphalt Technologies, dated October 8, 2002, signed and sealed by Charles L. Thomas, P.E.*
3. *Test report on Uplift Resistance Test per UL-580 Class 90, on 22 ga. (0.032") Standing Seam Roof Panel, prepared by Architectural Testing Report No. 01-38064.01, dated January 09, 2001, signed and sealed by Allen Reeves, P.E.*
4. *Susceptibility to leakage test in accordance with Miami-Dade county Protocol PA 114 Appendix G on 22 ga. (0.032") Standing Seam Roof Panel, prepared by Farabaugh Engineering and Testing, Inc. Report No. T200-00, dated September 27, 2000, signed and sealed by Daniel G. Farabaugh, P.E.*
5. *Wind Driven Rain Test in accordance with Miami-Dade county Protocol PA 100-95 on 22 ga. (0.032") Standing Seam Roof Panel, prepared by Architectural Testing Report No. 01-38064.01, dated January 09, 2001, signed and sealed by Allen Reeves, P.E.*

C. CALCULATIONS

1. *Calculations titled "UC-6 Structural Standing Seam Roof Panel", dated October 25, 2002, pages 1 through 11, prepared by Thomas M. Shingler, P.E., signed and sealed by Thomas M. Shingler, P.E.*

D. MATERIAL CERTIFICATIONS

1. *Mill Certified Test Report issued by Pacesetter Steel Service, Inc., dated 03/16/02, with chemical composition and mechanical properties of 22 ga. Coated G90 Commercial Steel.*
2. *Tensile Test Report No. 01-38064.03, prepared by Architectural Testing, dated January 18, 2001, signed and sealed by Allen Reeves, P.E.*



Helmy A. Makar, P.E., M.S.
Product Control Section Supervisor
NOA No. 17-1030.01
Expiration Date: 02/06/2023
Approval Date: 02/01/2018

Firestone Building Products Company, LLC

NOTICE OF ACCEPTANCE: EVIDENCE SUBMITTED

2. EVIDENCE SUBMITTED UNDER PREVIOUS APPROVAL # 06-0821.07

A. DRAWINGS

1. *Drawing No. UC-6, titled " UC-6 Structural Standing Seam System", sheets 1 through 6 of 6, prepared by Terrence E. Wolfe, P.E., dated January 07, 2003, signed and sealed by Terrence E. Wolfe, P.E on January 24, 2007.*

B. TESTS

1. *None.*

C. CALCULATIONS

1. *None.*

D. QUALITY ASSURANCE

1. *By Miami-Dade County Building Code Compliance Office.*

E. MATERIAL CERTIFICATIONS

1. *None.*

3. EVIDENCE SUBMITTED UNDER PREVIOUS APPROVAL #07-0822.02

A. DRAWINGS

1. *None.*

B. TESTS

1. *None.*

C. CALCULATIONS

1. *None.*

D. QUALITY ASSURANCE

1. *By Miami-Dade County Building Code Compliance Office.*

E. MATERIAL CERTIFICATIONS

1. *None.*

4. EVIDENCE SUBMITTED UNDER PREVIOUS APPROVAL #10-1214.04

A. DRAWINGS

1. *Drawing No. UC-6, titled " UC-6 Structural Standing Seam System", sheets 1 through 6 of 6, prepared by Terrence E. Wolfe, P.E., dated April 24, 2013, signed and sealed by Terrence E. Wolfe, P.E on April 25, 2013.*



Helmy A. Makar, P.E., M.S.
Product Control Section Supervisor

NOA No. 17-1030.01

Expiration Date: 02/06/2023

Approval Date: 02/01/2018

Firestone Building Products Company, LLC

NOTICE OF ACCEPTANCE: EVIDENCE SUBMITTED

B. TESTS

1. *Test report on Uplift Resistance Test per UL-580 Class 90, on 22 ga. (0.032") Standing Seam Roof Panel, prepared by HTL Report No. 0227-0503-10, dated August 02, 2010, signed and sealed by Vinu j. Abraham, P.E.*

C. CALCULATIONS

1. *None.*

D. QUALITY ASSURANCE

1. *By Miami-Dade County Department of Regulatory and Economic Resources (RER).*

E. MATERIAL CERTIFICATIONS

1. *None.*

5. NEW EVIDENCE SUBMITTED

A. DRAWINGS

1. *Drawing No. UC-6, titled " UC-6 Structural Standing Seam System", sheets 1 through 6 of 6, prepared by Terrence E. Wolfe, P.E., dated January 08, 2018, signed and sealed by Terrence E. Wolfe, P.E on January 17, 2018.*

B. TESTS

1. *Test report in accordance with TAS 125-03 per ASTM 1592-01, on 22 ga. (0.032") Standing Seam Roof Panel, prepared by Force Engineering & Testing, Inc., Report No. 56-01771-17A-C, dated 10/26/17, signed and sealed by Brandon Jasek, P.E.*

C. CALCULATIONS

1. *Calculations titled "UC-6 Structural Standing Seam Roof Panel", dated 11/09/17, 54 pages, prepared by Force Engineering & Testing, Inc., signed and sealed by Terrence E. Wolfe, P.E on November 09, 2017.*

D. QUALITY ASSURANCE

1. *By Miami-Dade County Department of Regulatory and Economic Resources (RER).*

E. MATERIAL CERTIFICATIONS

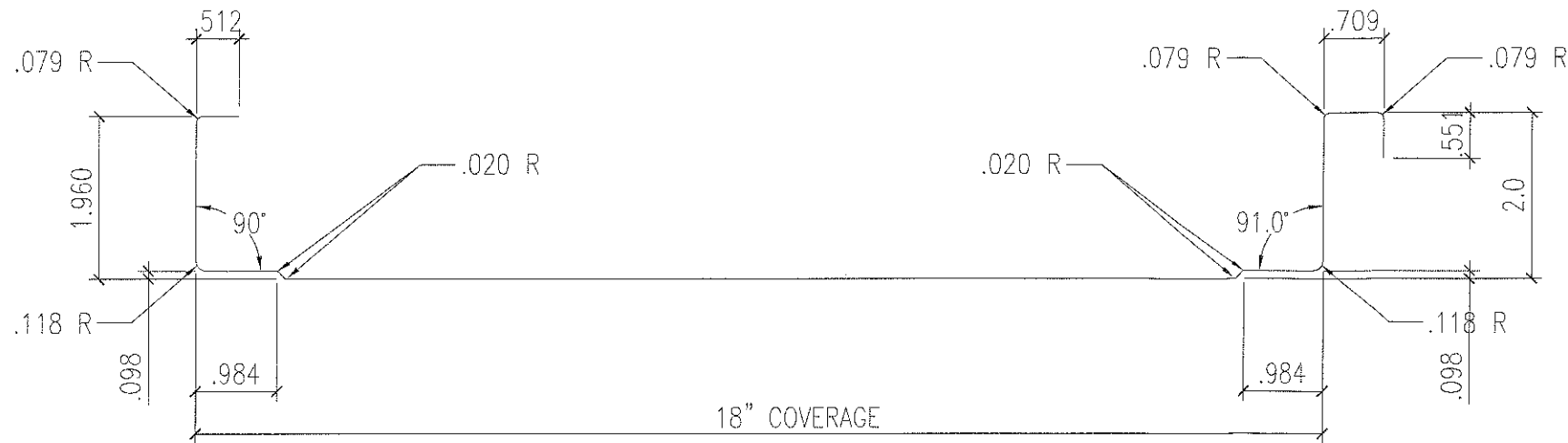
1. *None.*

F. STATEMENTS

1. *FBC, 2017 Edition Compliance Letter prepared by Force Engineering & Testing, Inc., signed and sealed by Terrence E. Wolfe, P.E on November 09, 2017.*



Helmy A. Makar, P.E., M.S.
Product Control Section Supervisor
NOA No. 17-1030.01
Expiration Date: 02/06/2023
Approval Date: 02/01/2018



UC-6 CROSS SECTION

NOTES:

1. ROOF PANEL: UC-6 22GA. STEEL, 18" MAX COVERAGE, 2" TALL STANDING SEAM RIB MECHANICALLY SEAMED TO DOUBLE LOCK 180 DEGREE SEAM.
2. THE MAXIMUM UPLIFT PRESSURE SHALL BE CALCULATED USING THE FOLLOWING ALLOWABLES.
 - A) MAXIMUM ALLOWABLE BENDING MOMENT OF THE PANEL AT SUPPORTS = 153.3 FT-LBS.
 - B) MAXIMUM ALLOWABLE BENDING MOMENT OF THE PANEL BETWEEN SUPPORTS = 110.5 FT-LBS.
 - C) EI VALUE OF PANEL = 1,205,686 LB-IN²
 - D) MAXIMUM ALLOWABLE DEFLECTION OR ROOF PANEL = L/180
 - E) MAXIMUM PANEL INTERIOR SUPPORT REACTION = 327.2 LBS.
 - F) MAXIMUM PANEL EXTERIOR SUPPORT REACTION = 112.5 LBS.

3. MAXIMUM ALLOWABLE PANEL SPAN = 5'-0".

4. MAXIMUM ALLOWABLE SPANS AND PRESSURES:

SPAN	PANEL CLIP	UPLIFT PRESSURE:
5'-0"	UC-6	57.3 PSF
4'-0"	UC-6	71.6 PSF
3'-0"	UC-6	95.4 PSF
2'-6"	UC-6	114.5 PSF
2'-0"	UC-6	143.1 PSF
1'-0"	UC-6	171.7 PSF


5. PANEL END LAPS ARE NOT PERMITTED.


PANEL PROPERTIES


PANEL THICKNESS	YIELD STRENGTH	TENSILE STRENGTH	ELONGATION	STEEL COATING	PAINT COATINGS
22 GA. .032" MIN. COATED	50 KSI	60	20	AZ 55	PVF2

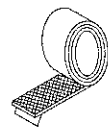
PANEL ACCESSORIES

DYNAMIC FASTENERS
9911 E. 53RD. STREET
RAYTOWN (K.C.) MO 64133

 1/4-14 X 7/8" LONG HWH T-1 SCOTS SELF DRILLER W/BONDED NEOP. WASHER W/LOGLIFE COATING AND STAINLESS CAP

 1/4-14 X 1 1/4" LONG HWH T-3 SELF DRILLER W/BONDED NEOP. WASHER W/LOGLIFE COATING

 12 X 1 1/4" LONG PANCAKE HEAD SELF DRILLER MINIMUM 8u ZINC COATING



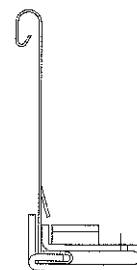
1/8" x 1"

1/8" x 1" BUTYL TAPE #TC95-35
ISOBUTYLENE TRIPOLYMER TAPE

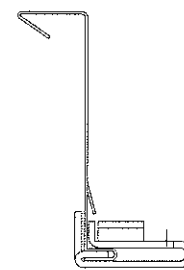
ONE-PART, MOISTURE CURING,
POLYURETHANE SEALANT



POLYURETHANE SEALANT



CLOSED CLIP

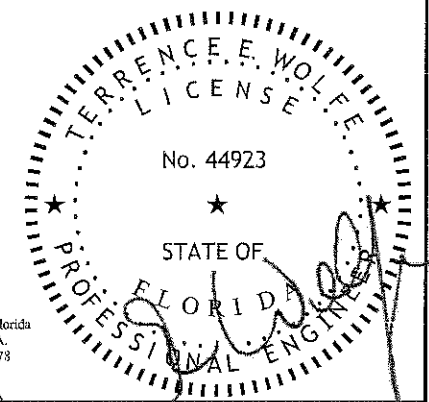


OPEN CLIP

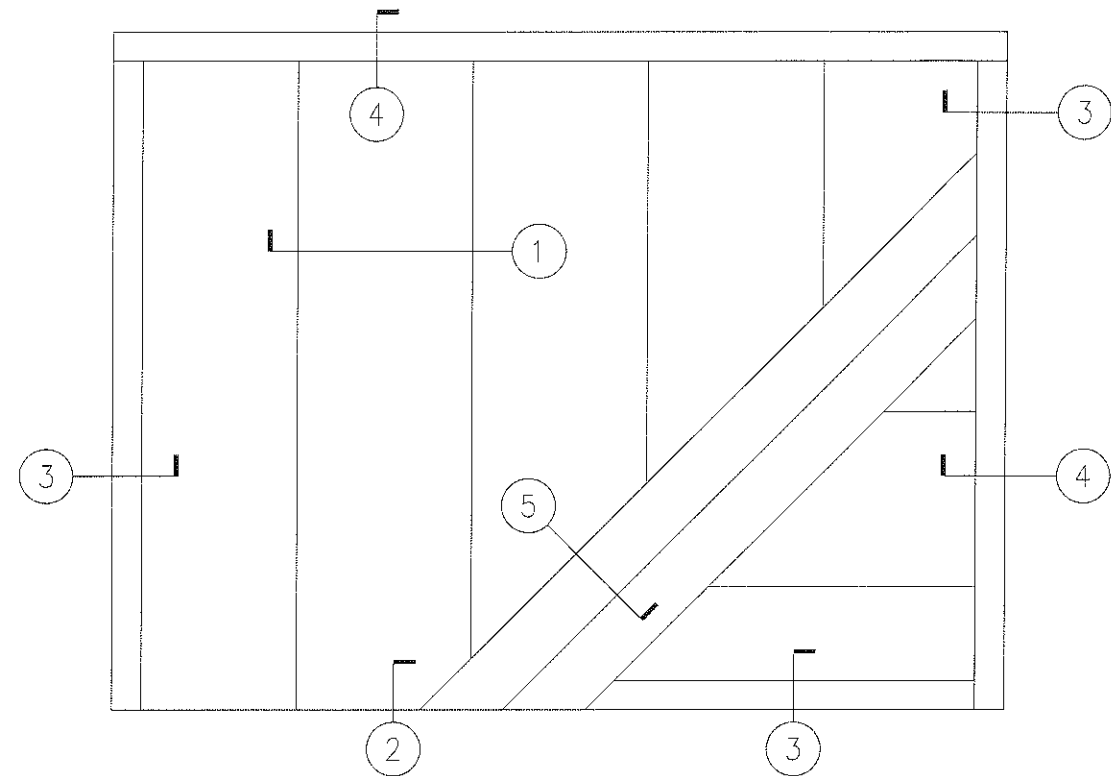
UC-6 CLIPS

PRODUCT REVISED

as complying with the Florida
Building Code
Acceptance No. 17-1030.01
Expiration Date 02/06/2023
By *Heidi A. Mohr*
Miami Data Product Control



MANUFACTURING ENGINEER	TERRENCE E. WOLFE, P.E.	DISCIPLINE: EIT
FLORIDA REGISTRATION NO.	44923	
January 17, 2018		
UC-6 STRUCTURAL STANDING SEAM SYSTEM		
FIRESTONE BUILDING PRODUCTS COMPANY, LLC 250 West 96th. Street Indianapolis, IN. 46260		
PROJECT	DADE COUNTY PRODUCT APPROVAL	
SHEET TITLE	UC-6 DETAILS	
LOCATION	DADE COUNTY, FLORIDA	
REL	BY	DESCRIPTION
DATE	01/08/2018	
SCALE	NTS	
PROJECT NUMBER	56-0221-17	DRAWING NUMBER
		UC-6
		SHEET NUMBER
		1



UC-6 WIND DRIVEN RAIN TEST PLAIN

1/4-14 x 7/8" LONG HWH T-1 SELF DRILLER W/BONDED NEOP. WASHER 6" O.C. (MAX)

1/8"x1" BUTYL TAPE SEALANT (TOP & BOTTOM OF "Z" CLOSURE)

PREFINISHED UC6 PANEL

STEEL SUPPORT MEMBER W/T = 0.0575" (MIN)

PREFINISHED HIGH EAVE COPING

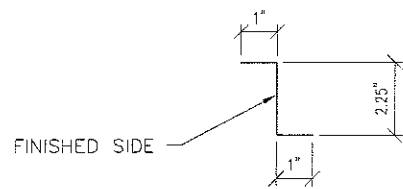
URETHANE SEALANT APPLIED AROUND ITS PERIMETER @ THE PANEL SEAM

PREFINISHED "Z" CLOSURE

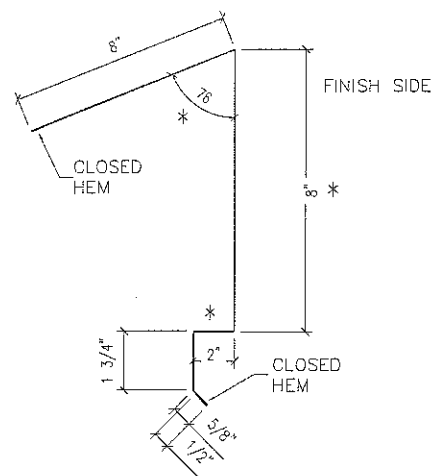
1/4-14 x 7/8" LONG HWH T-1 SELF DRILLER W/BONDED NEOP. WASHER 1" FROM EACH SIDE OF JOINT AND THEN AT 6" O.C. (MAX) THEREAFTER

PLAIN VIEW AT HIGH EAVE

PREFINISHED "Z" CLOSURE (t=.026" MIN.COATED)



PREFINISHED TOP COPING (t=.026" MIN. COATED)



1/4-14 x 7/8" LONG HWH T-1 SELF DRILLER W/BONDED NEOP. WASHER 6" O.C. (MAX)

1/8"x1" BUTYL TAPE SEALANT (TOP & BOTTOM OF "Z" CLOSURE)

PREFINISHED UC6 PANEL

UC6 PANEL CLIP & BASE

1/4-14 x 1 1/4" LONG HWH T-3 SELF DRILLER W/BONDED NEOP. WASHER (2 PER CLIP)

STEEL SUPPORT MEMBER W/T = 0.0575" (MIN)

PREFINISHED "Z" CLOSURE WITH URETHANE SEALANT APPLIED AROUND ITS PERIMETER @ THE PANEL SEAM

PREFINISHED HIGH EAVE COPING

1/4-14 x 7/8" LONG HWH T-1 SELF DRILLER W/BONDED NEOP. WASHER 1" FROM EACH SIDE OF JOINT AND THEN AT 6" O.C. (MAX) THEREAFTER

1/4-14 x 7/8" LONG HWH T-1 SELF DRILLER W/BONDED NEOP. WASHER 6" O.C. (MAX)

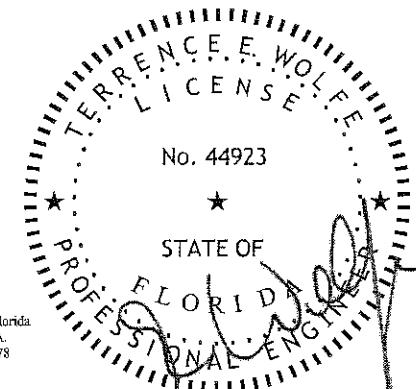
CONTINUOUS URETHANE SEALANT APPLIED TO BOTTOM OF FLASHING

SECTION THRU HIGH EAVE SECTION ④

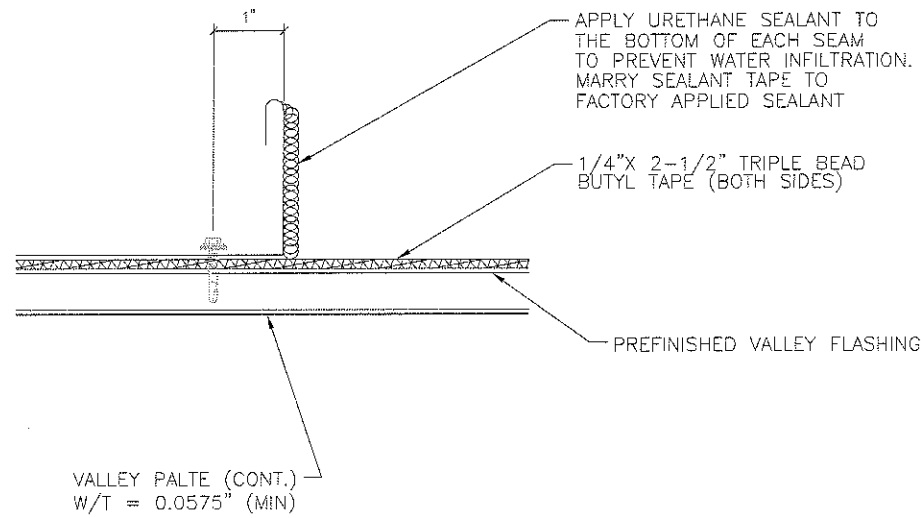
* ASTERICK ITEMS ARE ADJUSTED TO FIELD SPECIFIC CONDITIONS.

PRODUCT REVISED

as complying with the Florida Building Code
 Acceptance No 17-1030.01
 Expiration Date 02/06/2023
 By *Helga Miller*
 Miami Dade Product Control



MANUFACTURING ENGINEER	TERRENCE E. WOLFE, P.E.	DISCIPLINE: EIT
FLORIDA REGISTRATION NO.	44923	
January 17, 2018		
UC-6 STRUCTURAL STANDING SEAM SYSTEM		
FIRESTONE BUILDING PRODUCTS COMPANY, LLC 250 West 96th. Street Indianapolis, IN. 46260		
PROJECT	DADE COUNTY PRODUCT APPROVAL	
SHEET TITLE	UC-6 DETAILS	REVISION DATE: 01/08/2018
LOCATION	DADE COUNTY, FLORIDA	SCALE: NTS
	PROJECT NUMBER: 56-0221-17	DRAWING NUMBER: UC-6
		SHEET NUMBER: 2



SEAL AT BOTTOM OF PANEL

PREFINISHED UC6 PANEL

1/4-14 x 1 1/4" LONG HWH T-3 SELF DRILLER
W/BONDED NEOP. WASHER 6" O.C. (MAX)

6" O.C. (MAX)

APPLY URETHANE SEALANT TO THE BOTTOM OF EACH SEAM TO PREVENT WATER INFILTRATION. MARRY SEALANT TAPE TO FACTORY APPLIED SEALANT

CONTINUOUS 1/4" x 2 1/2" TRIPLE BEAD BUTYL TAPE SEAL (BOTH SIDES)

VALLEY PALTE (CONT.)
W/T = 0.0575" (MIN)

PREFINISHED 24 GA. (.026" MIN. COATED) VALLEY FLASHING

PLAIN VIEW AT VALLEY

APPLY URETHANE SEALANT TO THE BOTTOM OF EACH SEAM TO PREVENT WATER INFILTRATION. MARRY SEALANT TAPE TO FACTORY APPLIED SEALANT

1/4" X 2-1/2" TRIPLE BEAD BUTYL TAPE (BOTH SIDES)

PREFINISHED UC6 PANEL

PREFINISHED 24 GA. VALLEY FLASHING (.026" MIN. COATED)

1'-0" (MIN.)

VALLEY PLATE (CONT.)
W/T = 0.0575" (MIN)

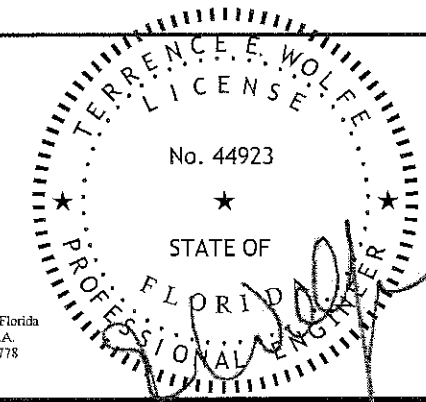
1/4-14 x 1 1/4" LONG HWH T-3 SELF DRILLER
W/BONDED NEOP. WASHER 6" O.C. (MAX)

12 X 1 1/4" LONG PANCAKE HEAD SELF DRILLER (2) PER CONNECTION

STEEL SUPPORT MEMBER
W/T = 0.0575" (MIN)

SECTION THRU VALLEY
SECTION ⑤

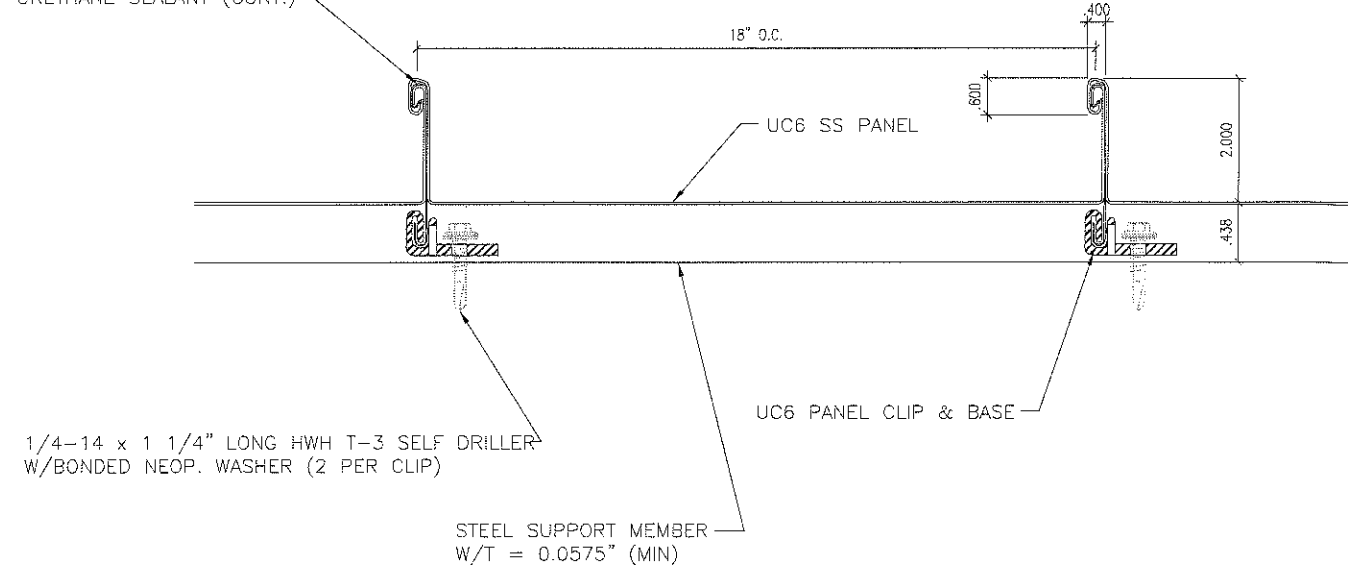
PRODUCT REVISED
as complying with the Florida
Building Code
Acceptance No 17-1030.01
Expiration Date 02/06/2023
By *Hegh A. Mohr*
Miami Dade Product Control



MANUFACTURING ENGINEER
TERRENCE E. WOLFE, P.E. DISCIPLINE: CIVIL
FLORIDA REGISTRATION NO. 44923
January 17, 2018
UC-6 STRUCTURAL STANDING SEAM SYSTEM

FIRESTONE BUILDING PRODUCTS COMPANY, LLC 250 West 96th. Street Indianapolis, IN. 46260			
PROJECT	DADE COUNTY PRODUCT APPROVAL		
SHEET TITLE	UC-6 DETAILS	REVISION DATE	01/08/2018
LOCATION	DADE COUNTY, FLORIDA	PROJECT NUMBER	56-0221-17
		DRIVING NUMBER	UC-6
		SHEET NUMBER	3

FILL END OF SEAM WITH URETHANE SEALANT (CONT.)

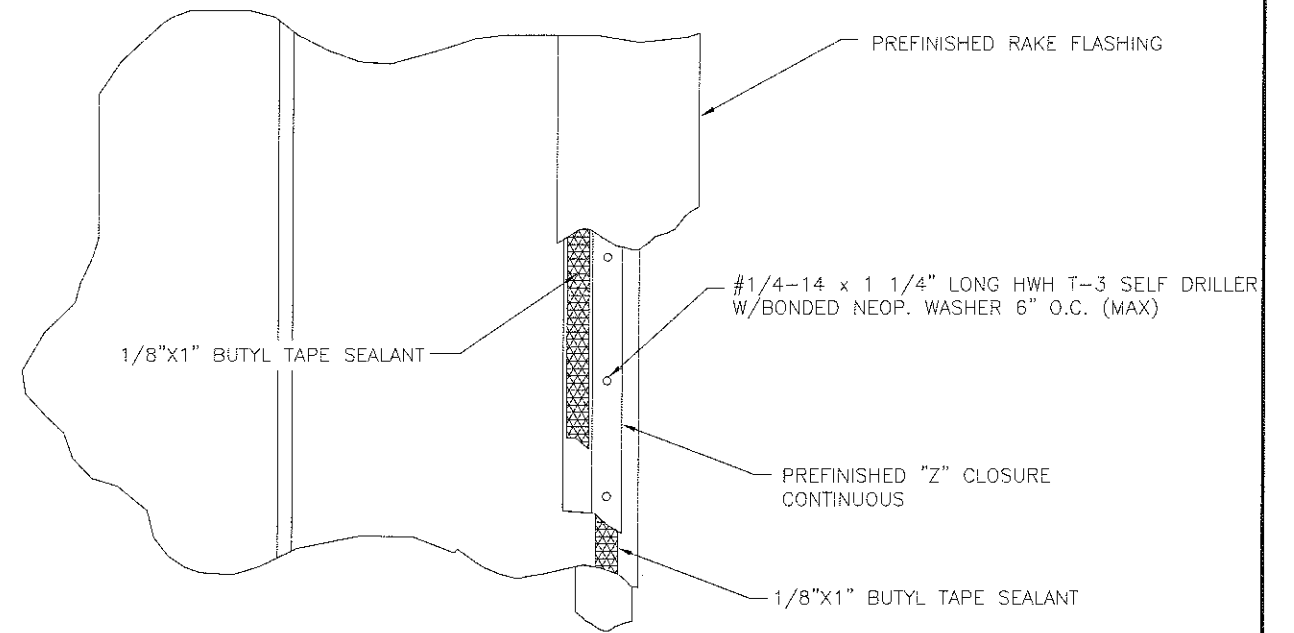


1/4-14 x 1 1/4\"/>

STEEL SUPPORT MEMBER
W/T = 0.0575\"/>

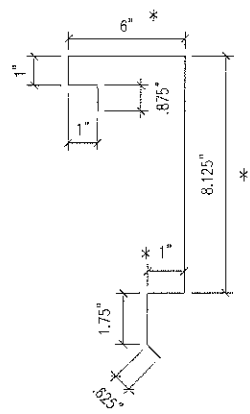
UC6 PANEL CLIP & BASE

UC-6 STANDING SEAM PANEL SUPPORT DETAILS
SECTION ①

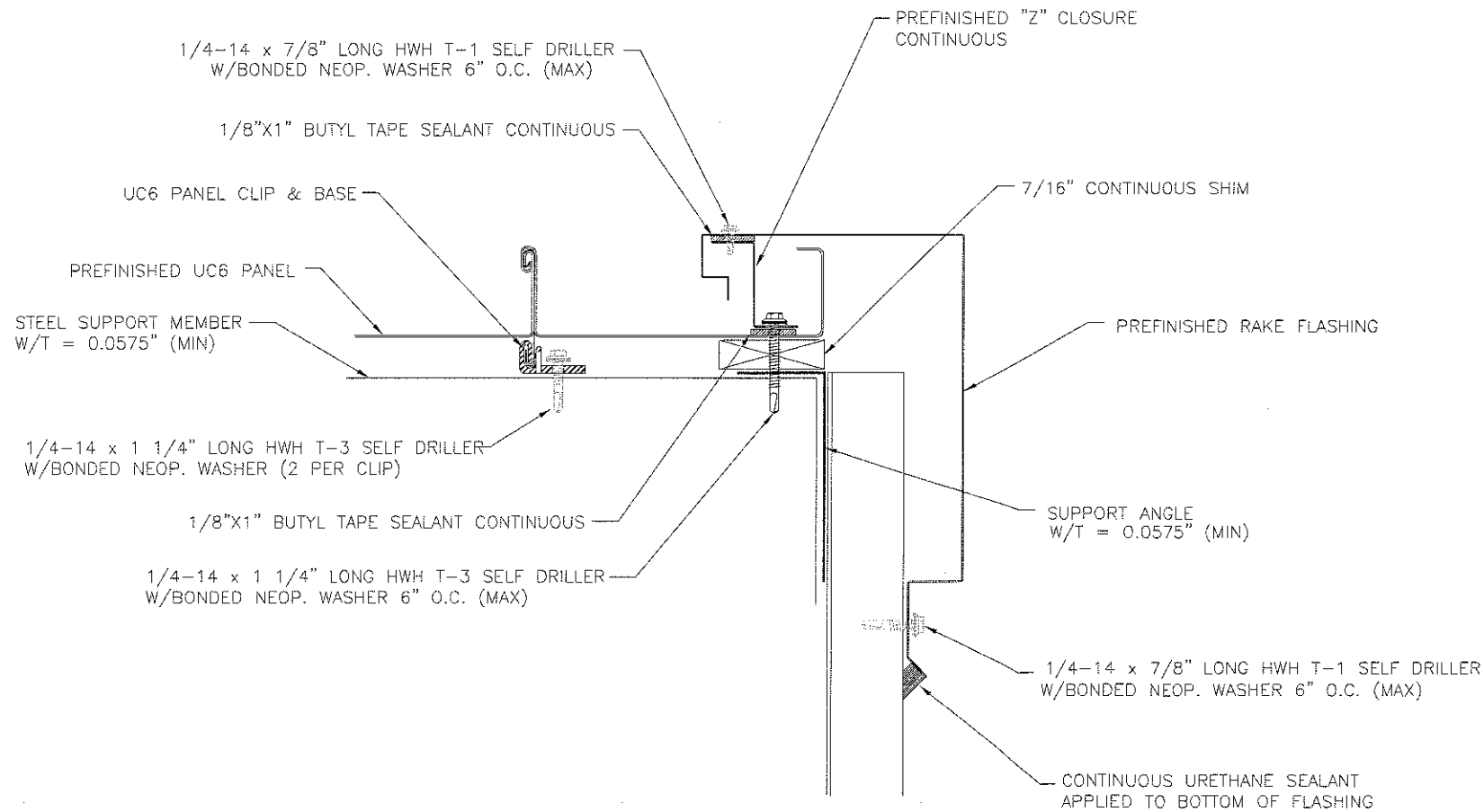
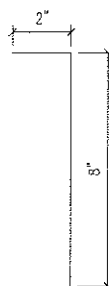


PLAIN VIEW AT RAKE

PREFINISHED RAKE FLASHING
(t=.026\"/>



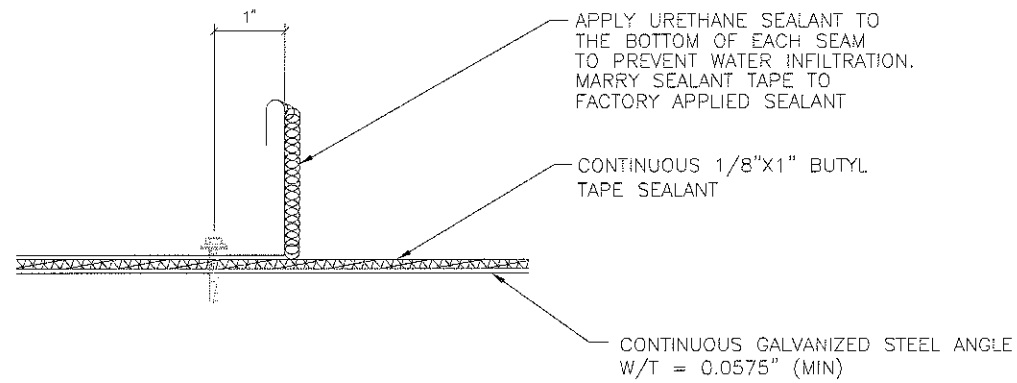
16 GA. SUPPORT ANGLE
(t=.0575\"/>



SECTION THRU RAKE
SECTION ③

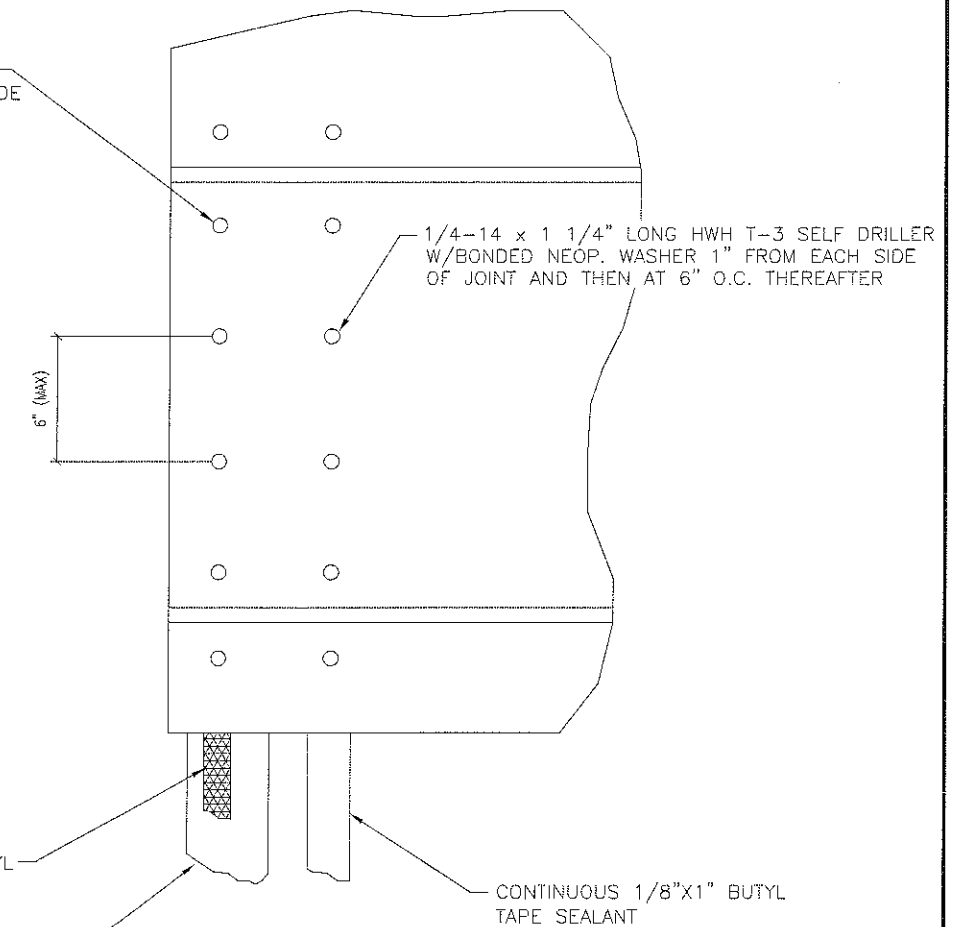
* ASTERICK ITEMS ARE ADJUSTED TO FIELD SPECIFIC CONDITIONS.

<p>PRODUCT REVISED to comply with the Florida Building Code Acceptance No. 17-1030.01 Expiration Date 02/06/2023 By <i>Heidi M...</i> Miami Dade Product Control</p>		<p>TERRENCE E. WOLFE LICENSE No. 44923 STATE OF FLORIDA PROFESSIONAL ENGINEER</p>	
<p>MANUFACTURING ENGINEER TERRENCE E. WOLFE, P.E. DISCIPLINE: CIVIL</p>		<p>January 17, 2018</p>	
<p>FLORIDA REGISTRATION NO. 44923</p>		<p>UC-6 STRUCTURAL STANDING SEAM SYSTEM</p>	
<p>FIRESTONE BUILDING PRODUCTS COMPANY, LLC 250 West 96th. Street Indianapolis, IN. 46260</p>		<p>REL BY DESCRIPTION DATE</p>	
<p>PROJECT DADE COUNTY PRODUCT APPROVAL</p>		<p>REL BY DESCRIPTION DATE</p>	
<p>SHEET TITLE UC-6 DETAILS</p>		<p>SCALE: 01/08/2018 NTS</p>	
<p>LOCATION DADE COUNTY, FLORIDA</p>		<p>PROJECT NUMBER 56-0221-17</p>	
		<p>EXP. NUMBER UC-6</p>	
		<p>SHEET NUMBER 4</p>	

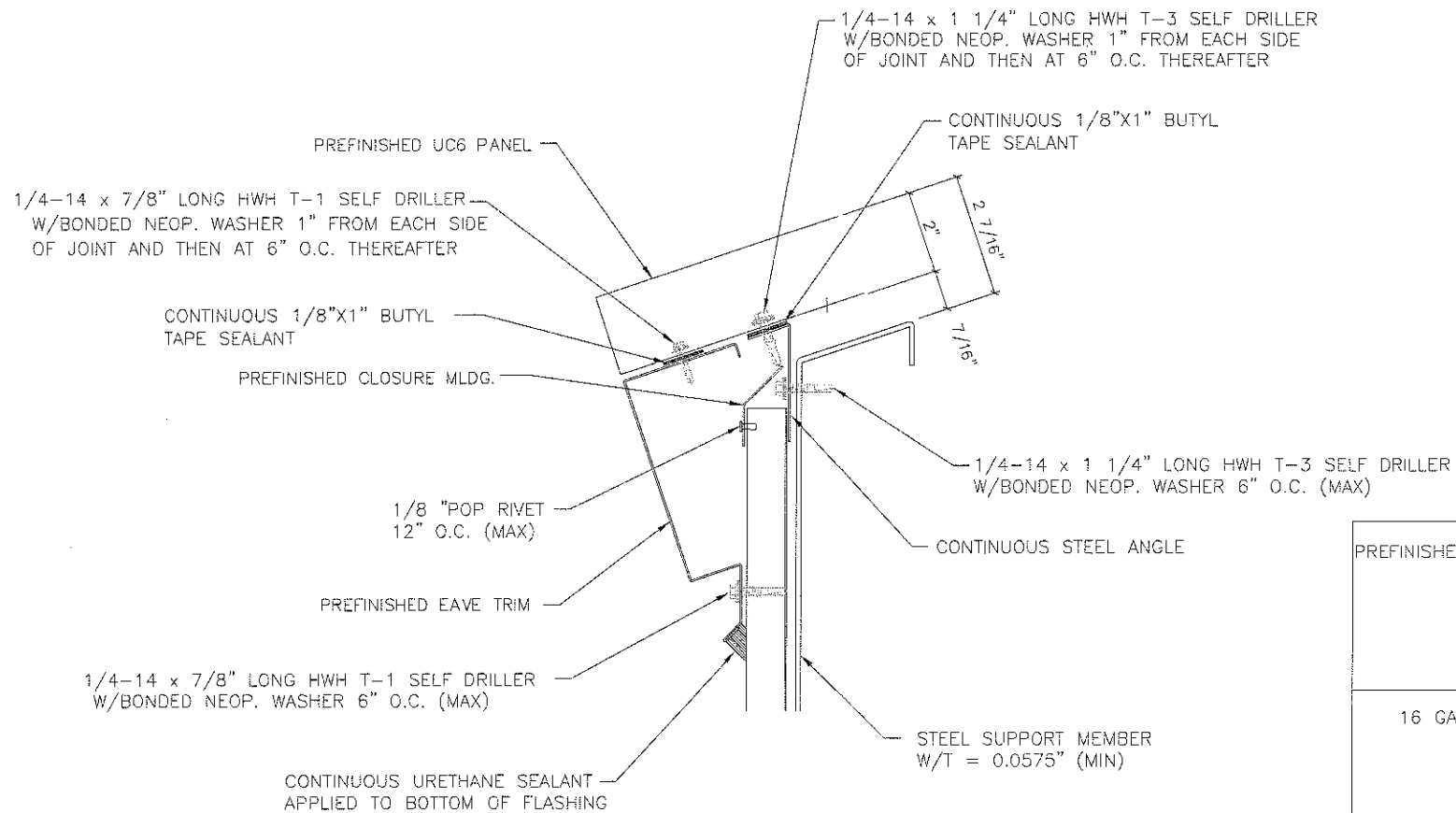


SEAL AT BOTTOM OF PANEL

1/4-14 x 7/8" LONG HWH T-1 SELF DRILLER
W/BONDED NEOP. WASHER 1" FROM EACH SIDE
OF JOINT AND THEN AT 6" O.C. THEREAFTER



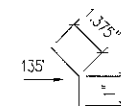
PLAIN VIEW LOW EAVE



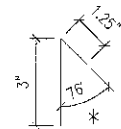
SECTION THRU LOW EAVE
SECTION ②

* ASTERICK ITEMS ARE ADJUSTED TO FIELD SPECIFIC CONDITIONS.

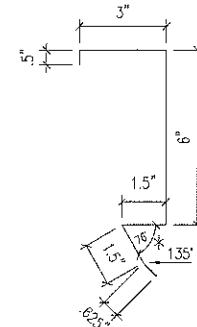
PREFINISHED CLOSURE MLDG (t=.026" MIN.COATED)



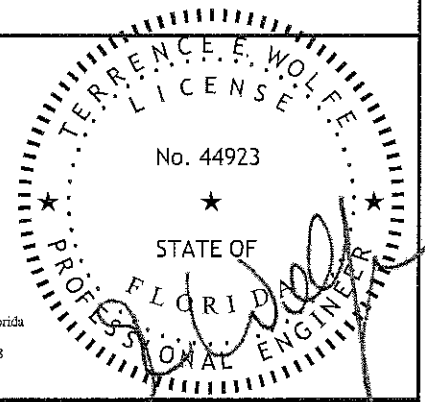
16 GA. SUPPORT ANGLE (t=.0575" MIN.)



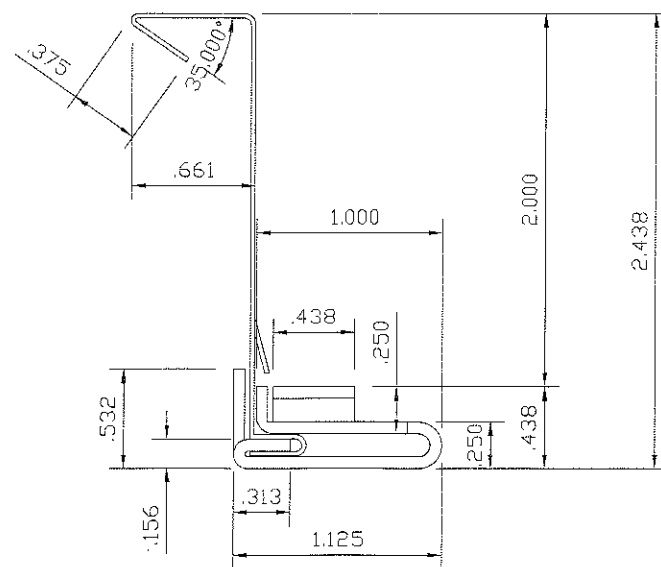
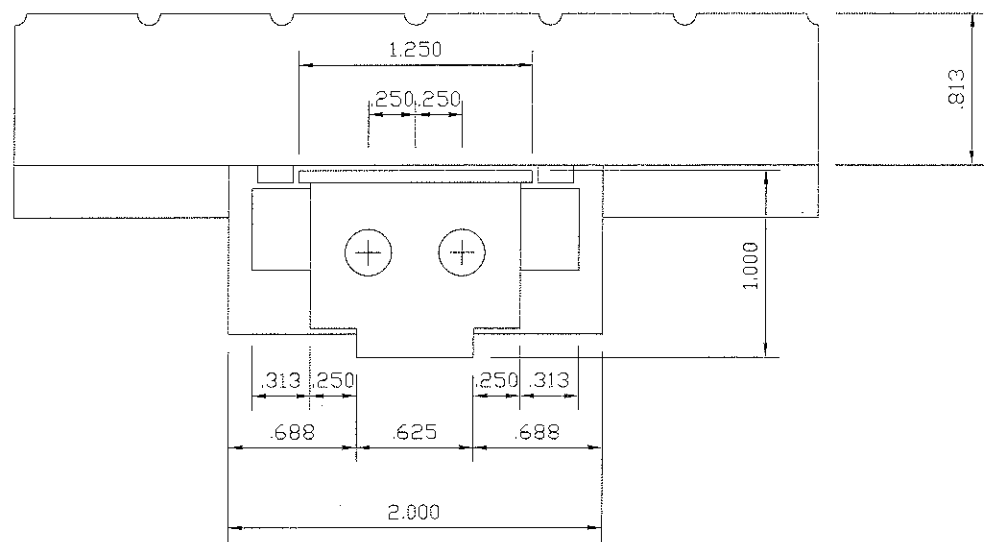
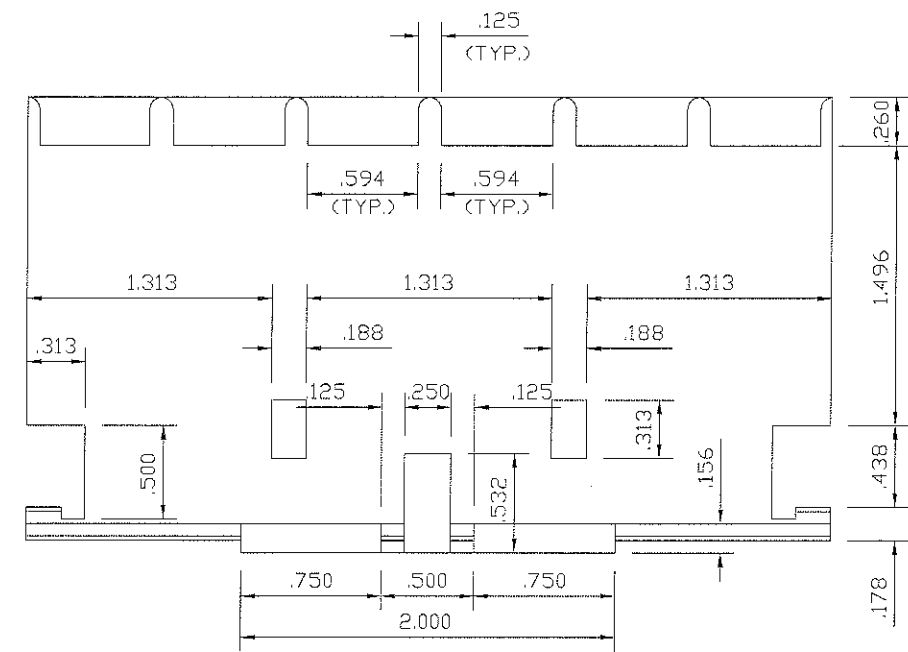
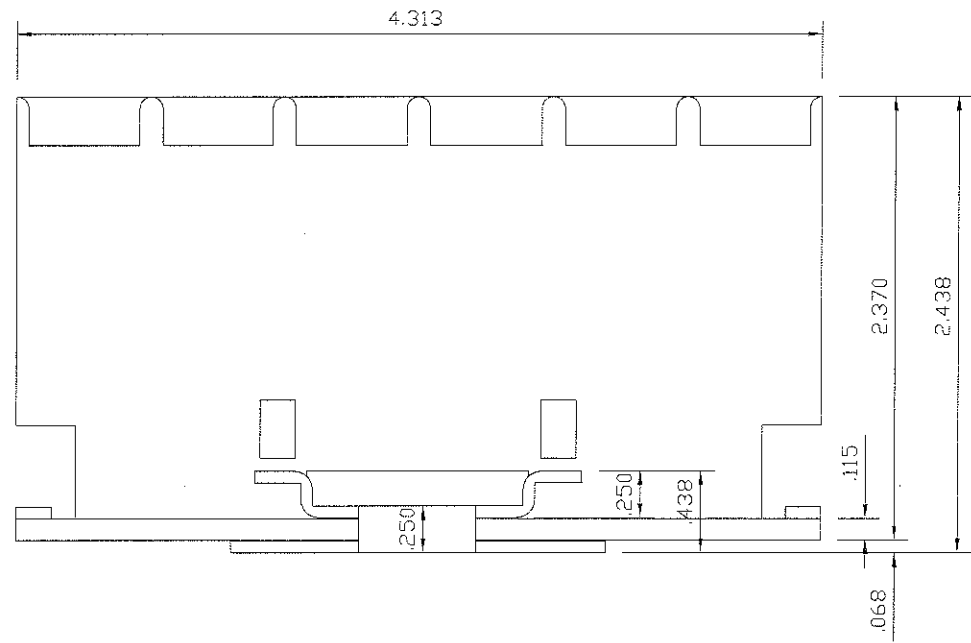
PREFINISHED EAVE TRIM
(t=.026" MIN. COATED)



PRODUCT REVISED
as complying with the Florida
Building Code
Acceptance No 17-1030.01
Expiration Date 02/06/2023
By *Heidi A. Wehr*
Miami Dade Product Control



MANUFACTURING ENGINEER	TERRENCE E. WOLFE, P.E.	DISCIPLINE	
FLORIDA REGISTRATION NO.	44923	January 17, 2018	
UC-6 STRUCTURAL STANDING SEAM SYSTEM			
FIRESTONE BUILDING PRODUCTS COMPANY, LLC 250 West 96th. Street Indianapolis, IN. 46260			
PROJECT	DADE COUNTY PRODUCT APPROVAL		
SHEET TITLE	UC-6 DETAILS	REVISION DATE	01/08/2018
LOCATION	DADE COUNTY, FLORIDA	SCALE	NTS
	PROJECT NUMBER	DRAWING NUMBER	SHEET NUMBER
	56-0221-17	UC-6	5



UC-6 CLIP DETAILS

THICKNESS: 20 GA. (.035" MIN. COATED) TOP & 16 GA. (.0575" MIN.) BASE

MATERIAL: GALV. STEEL

FINISH: MILL

PRODUCT REVISED
 as complying with the Florida
 Building Code
 Acceptance No 17-1030-01
 Expiration Date 02/06/2023
 By *Heidi Miller*
 Miami Dade Product Control

State of Florida
 C.O.A.
 #26778

TERRENCE E. WOLFE, P.E.
 LICENSE
 No. 44923
 STATE OF FLORIDA
 PROFESSIONAL ENGINEER

MANUFACTURING ENGINEER
 TERRENCE E. WOLFE, P.E. DISCIPLINE: CIVIL

FLORIDA REGISTRATION NO.
 44923

January 17, 2018

UC-6 STRUCTURAL STANDING SEAM CLIP

FIRESTONE BUILDING PRODUCTS COMPANY, LLC
 250 West 96th Street
 Indianapolis, IN. 46260

PROJECT
 DADE COUNTY PRODUCT APPROVAL

REL	BY	DESCRIPTION	DATE
DRWN BY:	TEW	REVISION DATE:	01/08/2018
CHECKED BY:		SCALE:	NTS
LOCATION	PROJECT NUMBER	DRAWING NUMBER	SHEET NUMBER
DADE COUNTY, FLORIDA	56-0221-17	UC-6	6