



DEPARTMENT OF REGULATORY AND ECONOMIC RESOURCES (RER)
BOARD AND CODE ADMINISTRATION DIVISION

MIAMI-DADE COUNTY
PRODUCT CONTROL SECTION
11805 SW 26 Street, Room 208
Miami, Florida 33175-2474
T (786) 315-2590 F (786) 315-2599

www.miamidadegov/economy

NOTICE OF ACCEPTANCE (NOA)

Birdview Skylights
d.b.a. Guy E. Bird Enterprises LTD
201 Longhorn Road
Fort Worth, TX 76179

Scope:

This NOA is being issued under the applicable rules and regulations governing the use of construction materials. The documentation submitted has been reviewed and accepted by Miami-Dade County RER- Product Control Section to be used in Miami Dade County and other areas where allowed by the Authority Having Jurisdiction (AHJ).

This NOA shall not be valid after the expiration date stated below. The Miami-Dade County Product Control Section (In Miami Dade County) and/or the AHJ (in areas other than Miami Dade County) reserve the right to have this product or material tested for quality assurance purposes. If this product or material fails to perform in the accepted manner, the manufacturer will incur the expense of such testing and the AHJ may immediately revoke, modify, or suspend the use of such product or material within their jurisdiction. RER reserves the right to revoke this acceptance, if it is determined by Miami-Dade County Product Control Section that this product or material fails to meet the requirements of the applicable building code.

This product is approved as described herein, and has been designed to comply with the High Velocity Hurricane Zone of the Florida Building Code.

DESCRIPTION: Aluminum Framed Polycarbonate Domed Skylight.

APPROVAL DOCUMENT: Drawing No. DADE617.1, model "6SF-DADE", sheet 1 of 1, prepared by Birdview Skylights dated 08/22/17, signed and sealed by Vipin N. Tolat, P.E., on 10/06/17, and Drawing # BVS-X10947-A, sheet 1 of 1, signed & sealed by Vipin N. Tolat, P.E., on 03/28/15, bearing the Miami-Dade County Product Control Revision stamp with the Notice of Acceptance number and the expiration date by the Miami-Dade County Product Control Section.

MISSILE IMPACT RATING: Large & Small Missile Impact Resistant

LABELING: Each unit shall bear a permanent label with the manufacturer's name or logo, city, state and the following statement: "Miami-Dade County Product Control Approved", unless otherwise noted herein and the dome shall be properly marked by GE Plastics.

RENEWAL of this NOA shall be considered after a renewal application has been filed and there has been no change in the applicable building code negatively affecting the performance of this product.

TERMINATION of this NOA will occur after the expiration date or if there has been a revision or change in the materials, use, and/or manufacture of the product or process. Misuse of this NOA as an endorsement of any product, for sales, advertising or any other purposes shall automatically terminate this NOA. Failure to comply with any section of this NOA shall be cause for termination and removal of NOA.

ADVERTISEMENT: The NOA number preceded by the words Miami-Dade County, Florida, and followed by the expiration date may be displayed in advertising literature. If any portion of the NOA is displayed, then it shall be done in its entirety.

INSPECTION: A copy of this entire NOA shall be provided to the user by the manufacturer or its distributors and shall be available for inspection at the job site at the request of the Building Official.

This NOA revises & renews NOA #15-0413.06 and it consists of this page 1, evidence submitted pages E-1, E-2, & E-3 as well as approval document mentioned above.

The submitted documentation was reviewed by **Helmy A. Makar, P.E., M.S.**



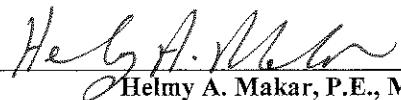
Helmy A. Makar
02/08/2018

NOA No. 17-1031.02
Expiration Date: 07/02/2023
Approval Date: 02/08/2018

Birdview Skylights
d.b.a. Guy E. Bird Enterprises LTD

NOTICE OF ACCEPTANCE: EVIDENCE SUBMITTED

- 1. EVIDENCE SUBMITTED UNDER PREVIOUS APPROVAL #03-0303.11**
 - A. DRAWINGS**
 1. *Drawing No. EB696, sheets 1 & 1, model "6SFD-DADE", prepared by Birdview Skylights, dated 07/26/00, with no revisions, signed and sealed by V. N. Tolat, P.E.*
 - B. TESTS**
 1. *Test report on Large Missile Impact Test per PA 201, Cyclic Load Test per PA 203 and Uniform Static air Pressure Test per PA 202, on "Series 6SFD-DADE Self Flashing Aluminum/Polycarbonate Skylight", prepared by Miami Testing Laboratory, report No. K-49362 issued on 09/10/96, signed and sealed by D. G. Ober, P.E.*
 - C. CALCULATIONS**
 1. *Anchor Calculation, sheets 2 through 5, dated 08/21/96 and signed by D. A. Terwilleger, PE.*
 - D. MATERIAL CERTIFICATIONS**
 1. *Notice of Acceptance No. 00-0718.02 issued to General Electric Company on 09/08/2000, expiring on 07/02/2003.*
 2. *Extrusion drawings No. BVS-X10947-A & BVS 8554 by Tel Tower Extrusions, LTD for Birdview Skylights.*
 - E. STATEMENTS**
 1. *No change letter issued by Birdview Skylights, on 08/10/2000 and signed by E. Bird.*
 2. *No change letter issued by Birdview Skylights on 02/11/03 and signed by G. E. Bird.*
- 2. EVIDENCE SUBMITTED UNDER PREVIOUS APPROVAL # 08-0611.09**
 - A. DRAWINGS**
 1. *Drawing No. DADE608.1, model "6SF-DADE ", sheets 1 & 2 of 2, prepared by Birdview Skylights dated February 05, 2008, signed and sealed by Vipin N. Tolat, P.E., on July 08, 2008.*
 - B. TESTS**
 1. *Test report on Large Missile Impact Test per TAS 201, Cyclic Load Test per TAS 203 and Uniform Static air Pressure Test per TAS 202, on "Series 6SF-DADE Self Flashing Aluminum/Polycarbonate Skylight", prepared by American Test Lab of South Florida, report No. 0331.01-08, dated 05/23/2008, signed and sealed by William R. Mehner, P.E. and Henry Hattem, P.E.*
 - C. CALCULATIONS**
 1. *Anchor Calculation, sheets 1 through 3 of 3, dated 06/09/2008, signed and sealed by Vipin N. Tolat, P.E.*



Helmy A. Makar, P.E., M.S.
Product Control Section Supervisor
NOA No. 17-1031.02
Expiration Date: 07/02/2023
Approval Date: 02/08/2018

Birdview Skylights
d.b.a. Guy E. Bird Enterprises LTD

NOTICE OF ACCEPTANCE: EVIDENCE SUBMITTED

D. QUALITY ASSURANCE

1. *By Miami-Dade County Building Code Compliance Office.*

E. MATERIAL CERTIFICATIONS

1. *None.*

3. EVIDENCE SUBMITTED UNDER PREVIOUS APPROVAL # 11-0811.08

A. DRAWINGS

1. *Drawing No. DADE608.1, model "6SF-DADE", sheets 1 & 2 of 2, prepared by Birdview Skylights dated February 05, 2008, revised on February 22, 2012, signed and sealed by Vipin N. Tolat, P.E., on February 22, 2012.*

B. TESTS

1. *None.*

C. CALCULATIONS

1. *None.*

D. QUALITY ASSURANCE

1. *By Miami-Dade County Department of Permitting, Environment and Regulatory Affairs (PERA).*

E. MATERIAL CERTIFICATIONS

1. *None.*

4. EVIDENCE SUBMITTED UNDER PREVIOUS APPROVAL # 13-0311.10

A. DRAWINGS

1. *Drawing No. DADE608.1, model "6SF-DADE", sheets 1 & 2 of 2, prepared by Birdview Skylights dated February 05, 2008, revised on February 22, 2012, signed and sealed by Vipin N. Tolat, P.E., on February 22, 2012.*

B. TESTS

1. *None.*

C. CALCULATIONS

1. *None.*

D. QUALITY ASSURANCE

1. *By Miami-Dade County Department of Regulatory and Economic Resources.*

E. MATERIAL CERTIFICATIONS

1. *None.*



Helmy A. Makar, P.E., M.S.
Product Control Section Supervisor

NOA No. 17-1031.02

Expiration Date: 07/02/2023

Approval Date: 02/08/2018

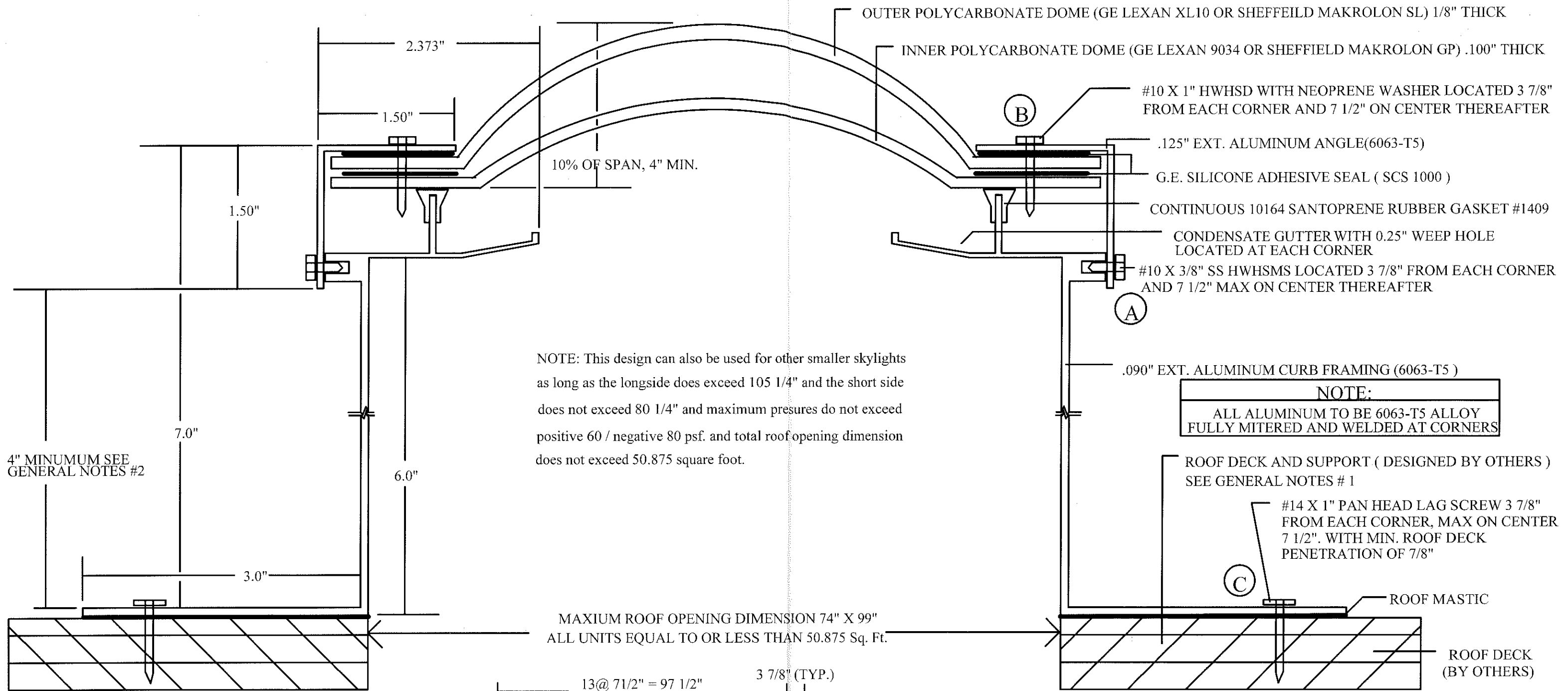
Birdview Skylights
d.b.a. Guy E. Bird Enterprises LTD

NOTICE OF ACCEPTANCE: EVIDENCE SUBMITTED

- 5. EVIDENCE SUBMITTED UNDER PREVIOUS APPROVAL # 15-0413.06**
- A. DRAWINGS**
1. *Drawing No. 6DADE14, model "6SF-DADE", sheets 1 & 2 of 2, prepared by Birdview Skylights dated March 19, 2015, signed and sealed by Vipin N. Tolat, P.E., on March 28, 2015.*
- B. TESTS**
1. *None.*
- C. CALCULATIONS**
1. *None.*
- D. QUALITY ASSURANCE**
1. *By Miami-Dade County Department of Regulatory and Economic Resources.*
- E. MATERIAL CERTIFICATIONS**
1. *None.*
- 6. NEW EVIDENCE SUBMITTED**
- A. DRAWINGS**
1. *Drawing No. DADE617.1, model "6SF-DADE", sheet 1 of 1, prepared by Birdview Skylights dated 08/22/17, signed and sealed by Vipin N. Tolat, P.E., on 10/06/17, and Drawing # BVS-XI0947-A, sheet 1 of 1, signed & sealed by Vipin N. Tolat, P.E., on 03/28/15.*
- B. TESTS**
1. *None.*
- C. CALCULATIONS**
1. *None.*
- D. QUALITY ASSURANCE**
1. *By Miami-Dade County Department of Regulatory and Economic Resources.*
- E. MATERIAL CERTIFICATIONS**
1. *None.*
- F. STATEMENTS**
1. *FBC, 2017 Edition compliance letter prepared by Vipin N. Tolat, P.E., dated 10/06/17, signed and sealed by Vipin N. Tolat, P.E.*



Helmy A. Makar, P.E., M.S.
Product Control Section Supervisor
NOA No. 17-1031.02
Expiration Date: 07/02/2023
Approval Date: 02/08/2018



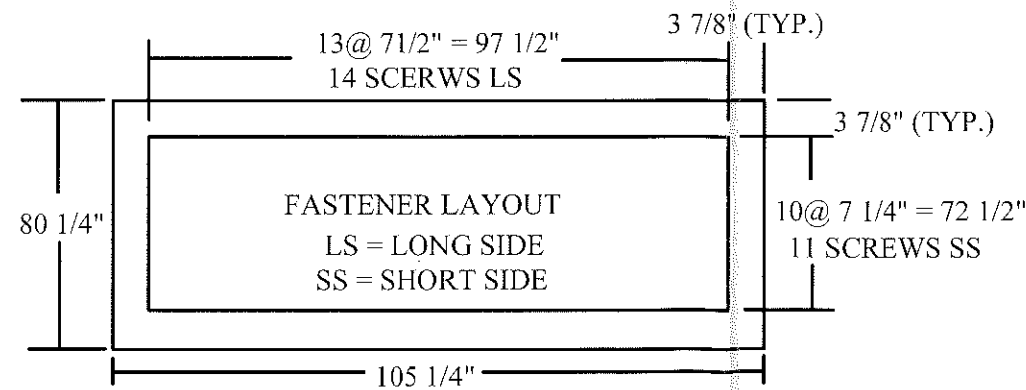
NOTE: This design can also be used for other smaller skylights as long as the longside does exceed 105 1/4" and the short side does not exceed 80 1/4" and maximum pressures do not exceed positive 60 / negative 80 psf. and total roof opening dimension does not exceed 50.875 square foot.

NOTE:
ALL ALUMINUM TO BE 6063-T5 ALLOY
FULLY MITERED AND WELDED AT CORNERS

ROOF DECK AND SUPPORT (DESIGNED BY OTHERS)
SEE GENERAL NOTES # 1

#14 X 1" PAN HEAD LAG SCREW 3 7/8"
FROM EACH CORNER, MAX ON CENTER
7 1/2". WITH MIN. ROOF DECK
PENETRATION OF 7/8"

MAXIMUM ROOF OPENING DIMENSION 74" X 99"
ALL UNITS EQUAL TO OR LESS THAN 50.875 Sq. Ft.



TOTAL 50 SCREWS
AT LOCATIONS
A, B & C FOR THIS SKYLIGHT.
FOR OTHER SMALLER SIZES
PROVIDE FASTENERS @ 7 1/2"
ON CENTER EACH SIDE

DESIGN PRESSURE RATING
POSITIVE + 60psf NEGATIVE -80psf
LARGE MISSILE IMPACT RESISTANT

GENERAL NOTES

1. THIS DESIGN COMPLIES WITH FBC 6th EDITION (2017)
2. 4" MINIMUM DISTANCE FROM ANGLE LIP TO ROOF SURFACE IS FOR SHINGLE OR BUR WITHOUT INSULATION FOR INSULATION AND ROOF TILES, ADD THE TILE HEIGHT AND THE INSULATION THICKNESS TO THE 4" MINIMUM HEIGHT.

PRODUCT REVISED
as complying with the Florida
Building Code
Acceptance No 17-1031.02
Expiration Date 07/02/2023
By *[Signature]*
Miami Dade Product Control

VIPIN N. TOLAT
FL. REG. # 12847
15123 LANTERN CREEK LANE
HOUSTON, TX 77068

[Handwritten Signature]
10/6/17

BIRDVIEW SKYLIGHTS
THE CLEAR CHOICE

201 LONGHORN RD. FT. WORTH TX. 76179
TEL: 817-439-9266 FAX: 817-232-8468

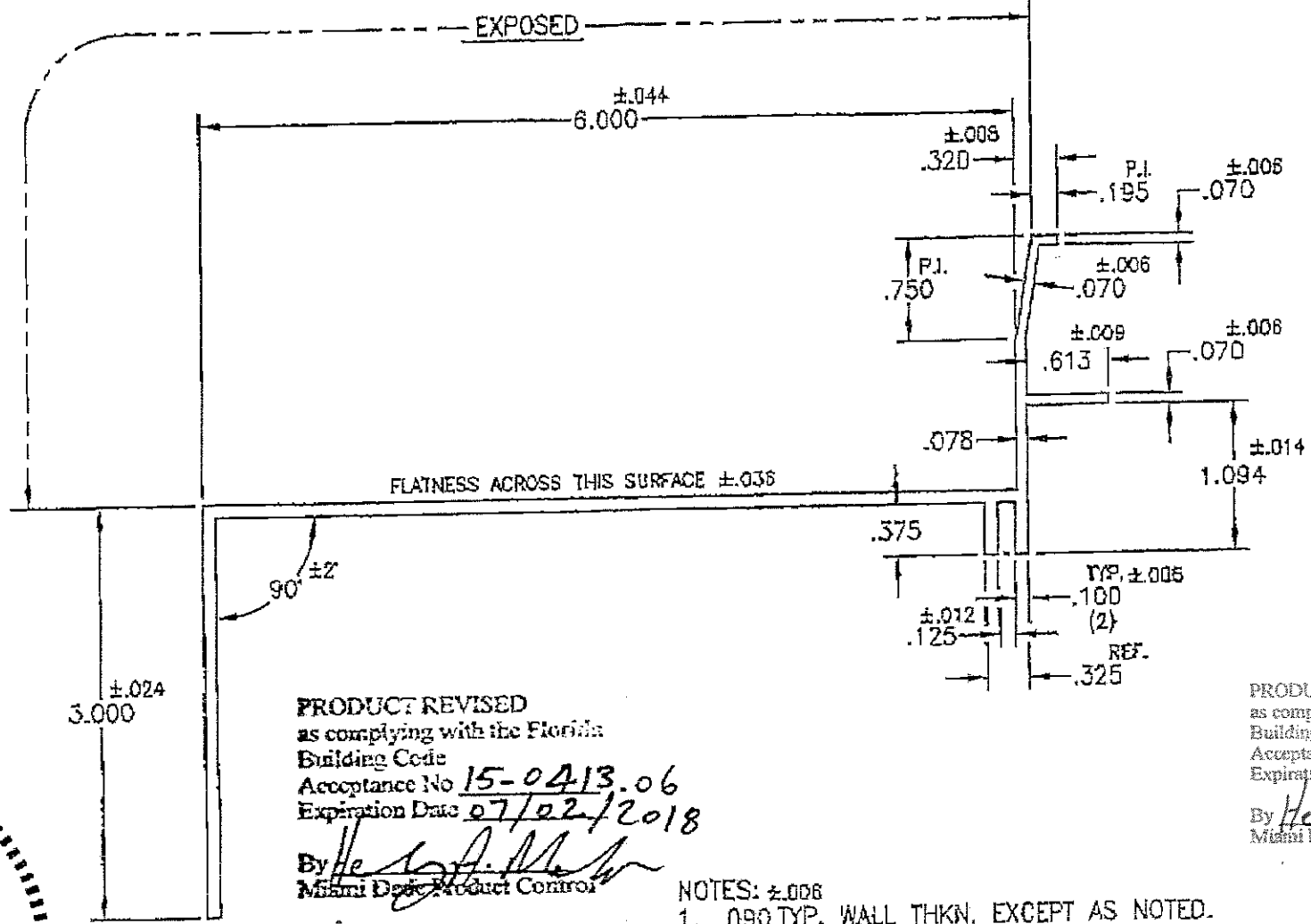
DATE: 8-22-2017	MODEL: 6SF - DADE
DRAWING # DADE617.1	DRAWN BY : E. BIRD
	SCALE: NTS

08/08/2016 14:33 8172328488

BIRDVIEW SKYLIGHTS

#4582 P. 001/001

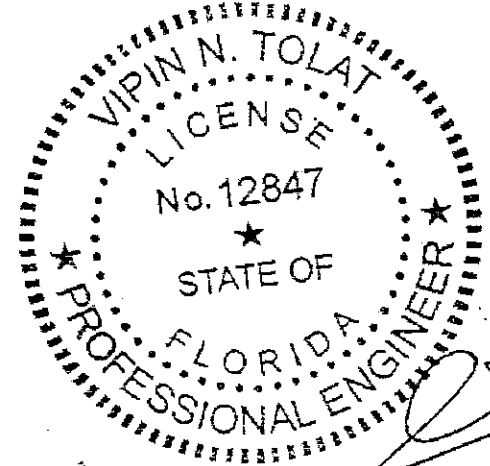
DWG NO.	BVS-X10947-A
PRESS#	PRESS#2
ENR. NO.	1.A.8702
SOLE. NO.	1.E.285
FDR. FLT.	F.P.9702
PRESS#	PRESS#4
ENR. NO.	1.A.10947
SOLE. NO.	1.B.10947
FDR. FLT.	F.P.10947



PRODUCT REVISED
 as complying with the Florida
 Building Code
 Acceptance No 15-0413.06
 Expiration Date 07/02/2018
 By Heidi A. Melton
 Miami Dade Product Control

PRODUCT REVISED
 as complying with the Florida
 Building Code
 Acceptance No 17-1031.02
 Expiration Date 07/02/2023
 By Heidi A. Melton
 Miami Dade Product Control

- NOTES: ±.008
 1. .090 TYP. WALL THKN. EXCEPT AS NOTED.
 2. BREAK SHARP CORNERS AT .015 R.



Handwritten signature and date:
3/28/15

Handwritten notes:
 Birdview
 Skylights
 3/19/15
 Sheet 2 of 2

tel TOWER EXTRUSIONS, LTD.			
BIRDVIEW SKYLIGHTS			
PART NO.		DWG. NO.	
6" SELF-FLASHING			
CLASS SOLID		ALLOY 6063	DIE NO. BVS-X10947-A
EST. AREA	1.076	CIRCLE SIZE	7.98
EST. WT/FT.	1.291	DRIVE	4-28-85
EST. PERM.	24.884	DRYING BY	D LENGTH
		EST. SIZE	PRESS INCH
		FACTOR	2/4
		SCALE	FULL L

DWG NO.
BVS-X10947-A