



DEPARTMENT OF REGULATORY AND ECONOMIC RESOURCES (RER)
BOARD AND CODE ADMINISTRATION DIVISION

NOTICE OF ACCEPTANCE (NOA)

MIAMI-DADE COUNTY
PRODUCT CONTROL SECTION

11805 SW 26 Street, Room 208
T (786) 315-2590 F (786) 315-2599

www.miamidade.gov/economy

Eurotech Industries, Inc.
4201 NE 12th Terrace
Ft. Lauderdale, FL 33334

SCOPE:

This NOA is being issued under the applicable rules and regulations governing the use of construction materials. The documentation submitted has been reviewed and accepted by Miami-Dade County RER - Product Control Section to be used in Miami Dade County and other areas where allowed by the Authority Having Jurisdiction (AHJ).

This NOA shall not be valid after the expiration date stated below. The Miami-Dade County Product Control Section (In Miami-Dade County) and/or the AHJ (in areas other than Miami-Dade County) reserve the right to have this product or material tested for quality assurance purposes. If this product or material fails to perform in the accepted manner, the manufacturer will incur the expense of such testing and the AHJ may immediately revoke, modify, or suspend the use of such product or material within their jurisdiction. RER reserves the right to revoke this acceptance, if it is determined by Miami-Dade County Product Control Section that this product or material fails to meet the requirements of the applicable building code.

This product is approved as described herein, and has been designed to comply with the Florida Building Code, including the High Velocity Hurricane Zone.-

DESCRIPTION: Series "80 HW" Aluminum Single Hung Window – L.M.I.

APPROVAL DOCUMENT: Drawing No. W11-17, titled "Series 80 HW Alum. Single Hung Wdw. (L.M.I.)", sheets 1 through 6 of 6, dated 04/01/11, with revision D dated 11/29/17, prepared by Al-Farooq Corporation, signed and sealed by Javad Ahmad, P.E., bearing the Miami-Dade County Product Control Revision stamp with the Notice of Acceptance number and expiration date by the Miami-Dade County Product Control Section.

MISSILE IMPACT RATING: Large and Small Missile Impact Resistant

LABELING: Each unit shall bear a permanent label with the manufacturer's name or logo, city, state, model/series, and following statement: "Miami-Dade County Product Control Approved", unless otherwise noted herein.

RENEWAL of this NOA shall be considered after a renewal application has been filed and there has been no change in the applicable building code negatively affecting the performance of this product.

TERMINATION of this NOA will occur after the expiration date or if there has been a revision or change in the materials, use, and/or manufacture of the product or process. Misuse of this NOA as an endorsement of any product, for sales, advertising or any other purposes shall automatically terminate this NOA. Failure to comply with any section of this NOA shall be cause for termination and removal of NOA.

ADVERTISEMENT: The NOA number preceded by the words Miami-Dade County, Florida, and followed by the expiration date may be displayed in advertising literature. If any portion of the NOA is displayed, then it shall be done in its entirety.

INSPECTION: A copy of this entire NOA shall be provided to the user by the manufacturer or its distributors and shall be available for inspection at the job site at the request of the Building Official.

This NOA revises NOA# 15-0908.04 and consists of this page 1 and evidence pages E-1 and E-2, and Green Sustainable Attributes (G.S.A.) page G-1, as well as approval document mentioned above.

The submitted documentation was reviewed by **Sifang Zhao, P.E.**



S. Z.
01/19/2018

NOA No. 17-1218.18
Expiration Date: July 07, 2021
Approval Date: January 25, 2018
Page 1

NOTICE OF ACCEPTANCE: EVIDENCE SUBMITTED

A. DRAWINGS

1. Manufacturer's die drawings and sections. *(Submitted under NOA#11-0426.01)*
2. Drawing No **W11-17**, titled "Series 80 HW Alum Single Hung Wdw. (L.M.I.)", sheets 1 through 6 of 6, dated 04/01/11, with revision **D** dated 11/29/17, prepared by Al-Farooq Corporation, signed and sealed by Javad Ahmad, P.E.

B. TESTS

1. Test reports on:
 - 1) Air Infiltration Test, per FBC, TAS 202-94
 - 2) Uniform Static Air Pressure Test, Loading per FBC, TAS 202-94
 - 3) Water Resistance Test, per FBC, TAS 202-94
 - 4) Large Missile Impact Test per FBC, TAS 201-94
 - 5) Cyclic Wind Pressure Loading per FBC, TAS 203-94
 - 6) Forced Entry Test, per FBC, TAS 202-94

along with marked-up drawings and installation diagram of a series 80 HW single hung window, prepared by American Test Lab of South Florida, Test Report No. **ATLSF-0310.01-11**, dated 03/28/11, signed and sealed by Julio E. Gonzalez, P.E. *(Submitted under NOA#11-0426.01)*

C. CALCULATIONS

1. Anchor verification calculations and structural analysis, complying with **FBC 5th Edition (2014)**, dated 08/10/15, prepared by Al-Farooq Corporation, signed and sealed by Javad Ahmad, P.E.
2. Glazing complies with **ASTM E1300-09**

D. QUALITY ASSURANCE

1. Miami-Dade Department of Regulatory and Economic Resources (RER).

E. MATERIAL CERTIFICATIONS

1. Notice of Acceptance No. **17-0808.02** issued to **Kuraray America, Inc.** for their "**SentryGlas® (Clear and White) Glass Interlayers**" dated 12/28/17, expiring on 07/04/23.
2. Notice of Acceptance No. **16-1117.01** issued to **Kuraray America, Inc.** for their "**Trosifol® Ultraclear, Clear and Color PVB Interlayers**" dated 01/19/17, expiring on 07/08/19.



Sifang Zhao, P.E.
Product Control Examiner
NOA No. 17-1218.18
Expiration Date: July 07, 2021
Approval Date: January 25, 2018

NOTICE OF ACCEPTANCE: EVIDENCE SUBMITTED

F. STATEMENTS

1. Statement letter of conformance, complying with **FBC 5th Edition (2014)**, with **FBC 6th Edition (2017)**, and of no financial interest, dated November 10, 2017, prepared by Al-Farooq Corporation, signed and sealed by Javad Ahmad, P.E.
2. Laboratory compliance letter for Test Report No. **ATLSF-0310.01-11** issued by American Test Lab of South Florida, dated 03/28/11, signed and sealed by Julio E. Gonzalez, P.E. *(Submitted under NOA#11-0426.01)*
3. Proposal No. **09-0094** issued by Product Control, dated 12/10/10, signed by Jaime D. Gascon, P.E. *(Submitted under NOA#11-0426.01)*

G. OTHER

1. Notice of Acceptance No. **15-0908.04**, issued to Eurotech Industries, Inc. for their Series "80 HW" Aluminum Single Hung Window - L.M.I., approved on 12/24/15 and expiring on 07/07/21.
2. Thermal Simulation Performance, Solar Heat Gain Coefficient, Visible Transmittance, & Condensation Resistance Calculation Report on:
 - 1) **NFRC 100-2010** "Procedure for Determining Fenestration Product U-Factors"
 - 2) **NFRC 200-2010** "Procedure for Determining Fenestration Product Solar Heat Gain Coefficient and Visible Transmittance at Normal Incidence"
 - 3) **NFRC 500-2010** "Procedure for Determining Fenestration Product Condensation Resistance Values"Using computer simulation in accordance with NFRC: Frame and Edge Modeling: THERM 6.3.38, WINDOW v6.3.74, NFRC Simulation Manual; Optics 6, of an Eurotech Industries, Inc. Series "80 HW" Aluminum Single Hung Window, along with attached drawings and bill of materials included in Appendix, marked-up by Fenestration Testing Laboratory, Inc. Test Report No. **FTL-8470**, pages 1 through 6 of 6, dated 06/22/15, simulation conducted and signed by Jose Sanchez, NFRC Certified Simulator, and Simulator-In-Responsible-Charge. *(Submitted under NOA#15-0416.02)*
3. NFRC 102-2010 Thermal Performance Test Report on: Series "80 HW" Aluminum Single Hung Window with Cardinal Low E 340 on surface #2, e=0.028 glass and Argon gas, along with submittal component drawings, with applicable part numbers, manufacturing and modeling details included in Appendix, marked-up by Fenestration Testing Laboratory, Inc. Test Report No. **FTL-8357**, pages 1 through 7 of 7, dated 04/21/15, test performed and signed by Jose Sanchez, Person-In-Responsible-Charge. *(Submitted under NOA#15-0416.02)*



Sifang Zhao, P.E.
Product Control Examiner
NOA No. 17-1218.18
Expiration Date: July 07, 2021
Approval Date: January 25, 2018

NOTICE OF ACCEPTANCE: EVIDENCE SUBMITTED

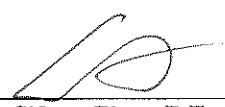
GREEN SUSTAINABLE ATTRIBUTES (GSA)

SCOPE: The table below is solely based on Test Report Nos. FTL-8470 and FTL-8357 submitted to Miami-Dade County Product Control.

| G.8 – U-FACTOR (THERMAL TRANSMITTANCE) BTU/ HR-FT²-°F | | | | | | | | |
|--|----------------|----------------|--|---------------|-----------|------|----|--|
| G.9 – SHGC (SOLAR HEAT GAIN COEFFICIENT) BTU/ HR-FT² | | | | | | | | |
| VT – VISIBLE LIGHT TRANSMITTANCE AT NORMAL INCIDENCE | | | | | | | | |
| CR – CONDENSATION RATING | | | | | | | | |
| ID# | Test Report #: | Product Number | Glazing Components: | G.8: U-Factor | G.9: SHGC | VT | CR | Glass Type Approved in this NOA Approval |
| | FTL-8357 | 01 | 3/16 LoE 340 - ARG - 3/16 CLR - 090 PVB - 3/16" CLR | 0.59 | 0.15 | 0.26 | 19 | No |
| 1 | FTL-8470 | 1 | 3/16" LoE 340 – ARG - 3/16" CLR - 090 PVB - 3/16" CLR | 0.59 | 0.15 | 0.26 | 19 | No |
| 2 | | 2 | 3/16" LoE 366 – ARG - 3/16" CLR - 090 PVB - 3/16" CLR | 0.59 | 0.21 | 0.43 | 19 | No |
| 3 | | 3 | 3/16" LoE 366 – ARG - 3/16" CLR - 090 PVB - 3/16" i89 | 0.56 | 0.21 | 0.43 | 19 | No |
| 4 | | 4 | 3/16" LoE 366 - 090 PVB - 3/16" i89 | 0.86 | 0.23 | 0.42 | 10 | Yes |
| 5 | | 5 | 3/16" LoE 340 - 090 PVB - 3/16" i89 | 0.86 | 0.19 | 0.26 | 10 | Yes |
| 6 | | 6 | 3/16" Solexia - 090 PVB - 3/16" clear | 1.09 | 0.44 | 0.55 | 16 | Yes |
| 7 | | | 3/16" CLR -030 CLR PVB-030 GRY PVB-030 CLR PVB-3/16" CLR | 1.09 | 0.44 | 0.30 | 16 | Yes |
| 8 | | | 3/16" CLR -030 CLR PVB-030 BRZ PVB-030 CLR PVB-3/16" CLR | 1.09 | 0.43 | 0.34 | 16 | Yes |
| 9 | | | 3/16" CLR -090 CLR PVB-3/16" CLR | 1.09 | 0.54 | 0.61 | 16 | Yes |
| 10 | | 7 | 3/16" LoE 366-090 PVB-3/16" CLR | 1.09 | 0.27 | 0.43 | 16 | Yes |
| 11 | | | 3/16" GRY-090 PVB-3/16" LoE 366 | 1.09 | 0.28 | 0.25 | 16 | Yes |
| 12 | | 8 | 1/16" LoE 340-090 PVB-3/16" CLR | 1.09 | 0.23 | 0.26 | 16 | Yes |
| 13 | | 9 | 3/16" CRL-ARG-3/16" CLR -030 CLR PVB-030 GRY PVB-030 CLR PVB-3/16" CLR | 0.74 | 0.47 | 0.27 | 19 | No |
| 14 | | | 3/16" CRL-ARG-3/16" CLR -030 CLR PVB-030 GRY PVB-030 CLR PVB-3/16" CLR | 0.74. | 0.47 | 0.30 | 19 | No |
| 15 | | | 3/16" CLR-ARG-3/16" CLR -090 PVB-3/16" CLR | 0.74. | 0.51 | 0.55 | 19 | No |

| Legend | |
|-----------------------|---|
| Abbreviations: | Description: |
| LoE 340 | Cardinal Low E 340 @ #2 Surface Typical e=0.028 |
| LoE 366 | Cardinal Low E 366 @ #2 Surface Typical e=0.022 |
| i89 | Cardinal Low E i89 e=0.149 |
| ARG | 90% Argon gas |
| PVB | Poly Vinyl Butryal (PVB) interlayer |
| CLR | Clear |
| BRZ | Bronze |
| GRY | Gray |

| G.10 – C-FACTOR (THERMAL CONDUCTANCE) BTU/ HR-FT²-°F | |
|---|----------------|
| Component Name | C-Value |
| 1. Whole Window | 1.71 |


Sifang Zhao, P.E.
Product Control Examiner
NOA No. 17-1218.18
Expiration Date: July 07, 2021
Approval Date: January 25, 2018

**SERIES 80 HW
ALUMINUM SINGLE HUNG WINDOW**

DESIGN LOAD RATING FOR THESE WINDOWS TO BE AS PER CHARTS SHOWN ON SHEET 2.

APPROVAL APPLIES TO SINGLE UNITS OR SIDE BY SIDE COMBINATIONS OF S.H./S.H. OR SINGLE HUNG WITH OTHER MIAMI-DADE COUNTY APPR'D WINDOWS USING MIAMI-DADE COUNTY APPROVED MULLIONS IN BETWEEN.
LOWER DESIGN PRESSURE FROM WINDOWS OR MULLION APPROVAL WILL APPLY TO ENTIRE SYSTEM.

THIS PRODUCT HAS BEEN DESIGNED AND TESTED TO COMPLY WITH THE REQUIREMENTS OF THE 2014 (5TH EDITION)/2017 (6TH EDITION) FLORIDA BUILDING CODE INCLUDING HIGH VELOCITY HURRICANE ZONE (HVHZ).

1BY OR 2BY WOOD BUCKS & BUCK FASTENERS BY OTHERS, MUST BE DESIGNED AND INSTALLED ADEQUATELY TO TRANSFER APPLIED PRODUCT LOADS TO THE BUILDING STRUCTURE.

ANCHORS SHALL BE CORROSION RESISTANT, SPACED AS SHOWN ON DETAILS AND INSTALLED PER MANUF'S INSTRUCTIONS. SPECIFIED EMBEDMENT TO BASE MATERIAL SHALL BE BEYOND WALL DRESSING OR STUCCO.

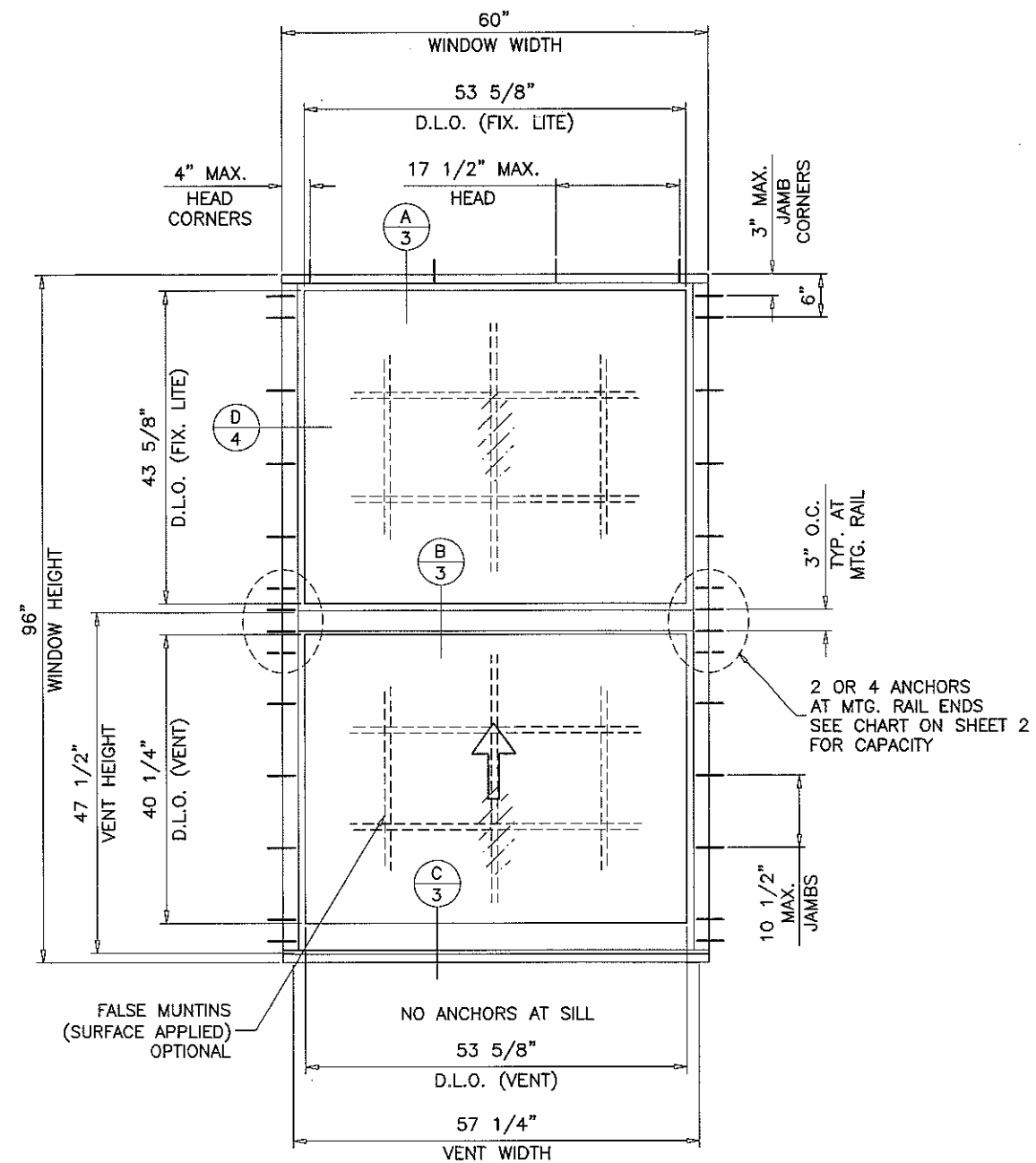
A LOAD DURATION INCREASE IS USED IN DESIGN OF ANCHORS INTO WOOD ONLY.

ALL SHIMS TO BE HIGH IMPACT, NON-METALLIC AND NON-COMPRESSIBLE.

MATERIALS INCLUDING BUT NOT LIMITED TO STEEL/METAL SCREWS, THAT COME INTO CONTACT WITH OTHER DISSIMILAR MATERIALS SHALL MEET THE REQUIREMENTS OF THE 2014/2017 FLORIDA BLDG. CODE & ADOPTED STANDARDS.

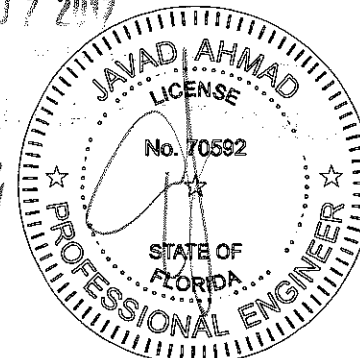
THIS PRODUCT APPROVAL IS GENERIC AND DOES NOT PROVIDE INFORMATION FOR A SITE SPECIFIC PROJECT, i.e. LIFE SAFETY OF THIS PRODUCT, ADEQUACY OF STRUCTURE RECEIVING THIS PRODUCT AND SEALING AROUND OPENING FOR WATER INFILTRATION RESISTANCE ETC.
CONDITIONS NOT SHOWN IN THIS DRAWING ARE TO BE ANALYZED SEPARATELY, AND TO BE REVIEWED BY BUILDING OFFICIAL.

THESE WINDOWS ARE RATED FOR LARGE & SMALL MISSILE IMPACT. SHUTTERS ARE NOT REQUIRED.



TYPICAL ELEVATIONS
TESTED UNITS

PRODUCT REVISED
as complying with the Florida
Building Code
Acceptance No 17-210-18
Expiration Date 7/16/2021
By *[Signature]*
Miami Dade Product Control



af c
AL-FAROOQ CORPORATION
ENGINEERS & PRODUCT DEVELOPMENT
9360 SUNSET DRIVE, SUITE 220 (C.A.N. 8638)
MIAMI, FLORIDA 33173 TEL. (305) 264-8100 FAX. (305) 262-6978
COMP-ANL\W11-17EWD

SERIES 80 HW ALUM SINGLE HUNG WDW. (L.M.I.)
Eurotech Industries Inc.
4201 N.E. 12th Terrace
Oakland Park, Florida 33334
Tel. (954) 630-9967 Fax. (954) 630-0217

| no | date | by | description |
|----|----------|----|----------------------|
| A | 06.28.11 | | NO CHANGE THIS SHEET |
| B | 10.13.11 | | UPDATED TO 2010 FBC |
| C | 08.12.15 | | UPDATED TO 2014 FBC |
| D | 11.29.17 | | UPDATED TO 2017 FBC |

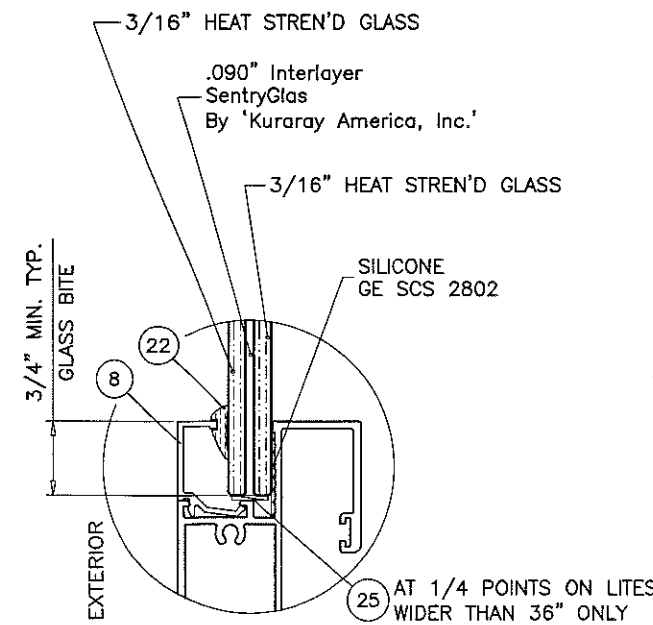
revisions:

date: 04-01-11
scale: 1/2"=1'-0"
dr. by: TARIQ
chk. by:

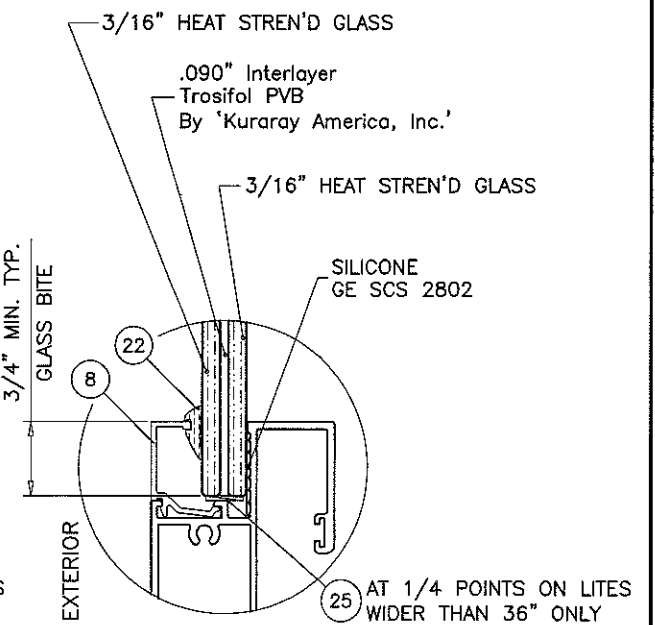
drawing no.
W11-17
sheet 1 of 6

| DESIGN LOAD CAPACITY - PSF | | | | | |
|---------------------------------|---------|-------------------------|---------|-------------------------|---------|
| GLASS TYPES 'A', 'B', 'C' & 'D' | | | | | |
| WINDOW DIMS. | | 2 ANCHORS AT MTG. RAILS | | 4 ANCHORS AT MTG. RAILS | |
| WIDTH | LENGTH | EXT.(+) | INT.(-) | EXT.(+) | INT.(-) |
| 26-1/2" | 26" | 90.0 | 140.0 | 90.0 | 140.0 |
| 32" | | 90.0 | 140.0 | 90.0 | 140.0 |
| 37" | | 90.0 | 140.0 | 90.0 | 140.0 |
| 42" | | 90.0 | 140.0 | 90.0 | 140.0 |
| 48" | | 90.0 | 140.0 | 90.0 | 140.0 |
| 53-1/8" | | 90.0 | 139.8 | 90.0 | 140.0 |
| 26-1/2" | 38-3/8" | 90.0 | 140.0 | 90.0 | 140.0 |
| 32" | | 90.0 | 140.0 | 90.0 | 140.0 |
| 37" | | 90.0 | 140.0 | 90.0 | 140.0 |
| 42" | | 90.0 | 140.0 | 90.0 | 140.0 |
| 48" | | 90.0 | 117.5 | 90.0 | 140.0 |
| 53-1/8" | | 90.0 | 102.2 | 90.0 | 140.0 |
| 26-1/2" | 50-5/8" | 90.0 | 140.0 | 90.0 | 140.0 |
| 32" | | 90.0 | 140.0 | 90.0 | 140.0 |
| 37" | | 90.0 | 140.0 | 90.0 | 140.0 |
| 42" | | 90.0 | 121.4 | 90.0 | 140.0 |
| 48" | | 90.0 | 97.9 | 90.0 | 140.0 |
| 53-1/8" | | 84.0 | 84.0 | 90.0 | 140.0 |
| 26-1/2" | 63" | 90.0 | 140.0 | 90.0 | 140.0 |
| 32" | | 90.0 | 140.0 | 90.0 | 140.0 |
| 37" | | 90.0 | 131.9 | 90.0 | 140.0 |
| 42" | | 90.0 | 111.3 | 90.0 | 140.0 |
| 48" | | 87.4 | 87.4 | 90.0 | 127.0 |
| 53-1/8" | | 73.8 | 73.8 | 90.0 | 114.8 |
| 26-1/2" | 74-1/4" | 90.0 | 140.0 | 90.0 | 140.0 |
| 32" | | 90.0 | 140.0 | 90.0 | 140.0 |
| 37" | | 90.0 | 139.8 | 90.0 | 140.0 |
| 42" | | 90.0 | 108.3 | 90.0 | 140.0 |
| 48" | | 82.4 | 82.4 | 90.0 | 129.4 |
| 53-1/8" | | 68.5 | 68.5 | 90.0 | 116.9 |

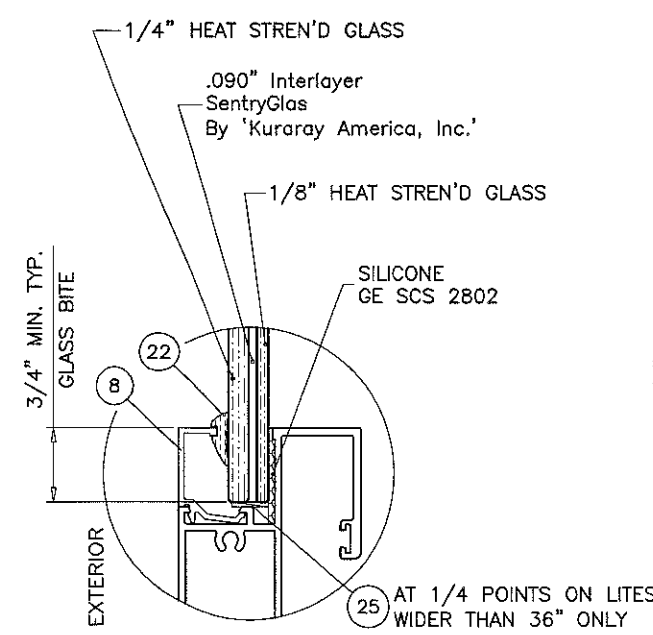
| DESIGN LOAD CAPACITY - PSF | | | | | |
|---------------------------------|--------|-------------------------|---------|-------------------------|---------|
| GLASS TYPES 'A', 'B', 'C' & 'D' | | | | | |
| WINDOW DIMS. | | 2 ANCHORS AT MTG. RAILS | | 4 ANCHORS AT MTG. RAILS | |
| WIDTH | LENGTH | EXT.(+) | INT.(-) | EXT.(+) | INT.(-) |
| 24" | 48" | 90.0 | 140.0 | 90.0 | 140.0 |
| 30" | | 90.0 | 140.0 | 90.0 | 140.0 |
| 36" | | 90.0 | 140.0 | 90.0 | 140.0 |
| 42" | | 90.0 | 124.7 | 90.0 | 140.0 |
| 48" | | 90.0 | 101.1 | 90.0 | 140.0 |
| 54" | | 85.0 | 85.0 | 90.0 | 140.0 |
| 60" | | 73.3 | 73.3 | 90.0 | 133.4 |
| 24" | 54" | 90.0 | 140.0 | 90.0 | 140.0 |
| 30" | | 90.0 | 140.0 | 90.0 | 140.0 |
| 36" | | 90.0 | 140.0 | 90.0 | 140.0 |
| 42" | | 90.0 | 117.8 | 90.0 | 140.0 |
| 48" | | 90.0 | 94.3 | 90.0 | 140.0 |
| 54" | | 78.7 | 78.7 | 90.0 | 131.8 |
| 60" | | 67.5 | 67.5 | 90.0 | 118.6 |
| 24" | 60" | 90.0 | 140.0 | 90.0 | 140.0 |
| 30" | | 90.0 | 140.0 | 90.0 | 140.0 |
| 36" | | 90.0 | 140.0 | 90.0 | 140.0 |
| 42" | | 90.0 | 113.0 | 90.0 | 140.0 |
| 48" | | 89.3 | 89.3 | 90.0 | 133.4 |
| 54" | | 73.9 | 73.9 | 90.0 | 118.6 |
| 60" | | 63.0 | 63.0 | 90.0 | 106.7 |
| 24" | 72" | 90.0 | 140.0 | 90.0 | 140.0 |
| 30" | | 90.0 | 140.0 | 90.0 | 140.0 |
| 36" | | 90.0 | 140.0 | 90.0 | 140.0 |
| 42" | | 90.0 | 108.5 | 90.0 | 140.0 |
| 48" | | 83.2 | 83.2 | 90.0 | 133.4 |
| 54" | | 67.4 | 67.4 | 90.0 | 118.6 |
| 60" | | 56.7 | 56.7 | 90.0 | 106.7 |
| 24" | 84" | 90.0 | 140.0 | 90.0 | 140.0 |
| 30" | | 90.0 | 140.0 | 90.0 | 140.0 |
| 36" | | 90.0 | 127.0 | 90.0 | 140.0 |
| 42" | | 90.0 | 108.3 | 90.0 | 130.7 |
| 48" | | 80.7 | 80.7 | 90.0 | 114.3 |
| 54" | | 63.8 | 63.8 | 90.0 | 101.6 |
| 60" | | 52.8 | 52.8 | 90.0 | 91.5 |
| 24" | 96" | 90.0 | 140.0 | 90.0 | 140.0 |
| 30" | | 90.0 | 140.0 | 90.0 | 140.0 |
| 36" | | 90.0 | 133.4 | 90.0 | 140.0 |
| 42" | | 90.0 | 108.3 | 90.0 | 133.4 |
| 48" | | 80.6 | 80.6 | 90.0 | 116.7 |
| 54" | | 62.4 | 62.4 | 90.0 | 103.8 |
| 60" | | 50.6 | 50.6 | 90.0 | 93.4 |



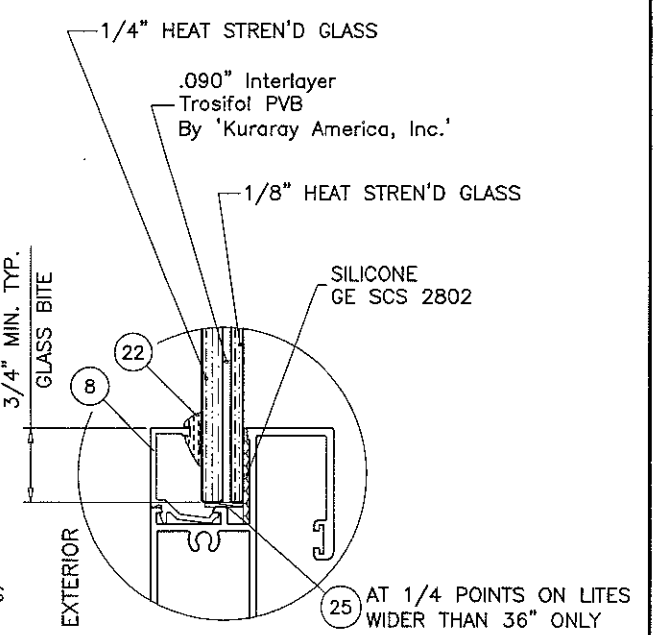
GLASS TYPE 'A'



GLASS TYPE 'B'



GLASS TYPE 'D'

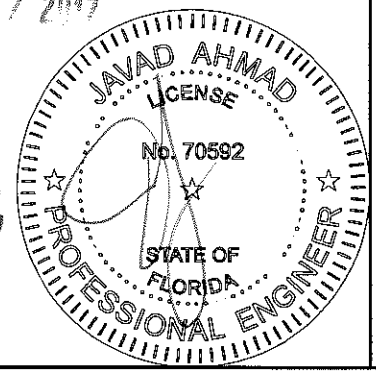


GLASS TYPE 'C'

GLAZING OPTIONS

NOTE:
GLASS CAPACITIES ON THIS SHEET ARE
BASED ON ASTM E1300-09 (3 SEC. GUSTS)
AND FLORIDA BUILDING COMMISSION
DECLARATORY STATEMENT DCA05-DEC-219

PRODUCT REVISED
as complying with the Florida
Building Code
Acceptance No 17-1218.18
Expiration Date 01/01/2021
By *[Signature]*
Miami Dade Product Control



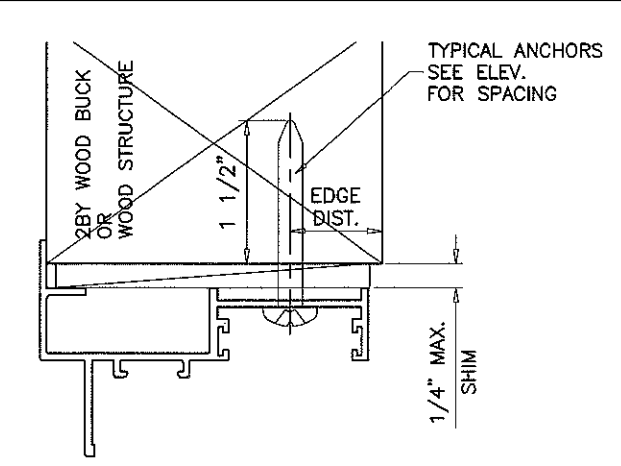
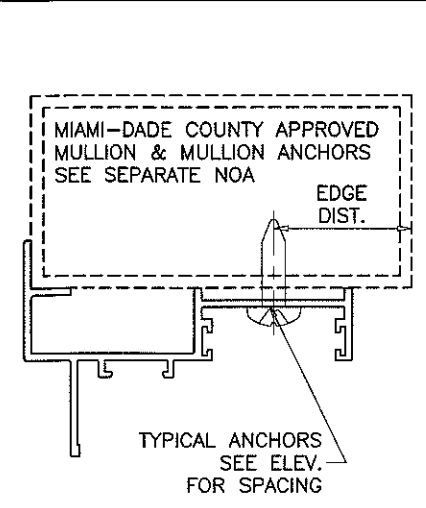
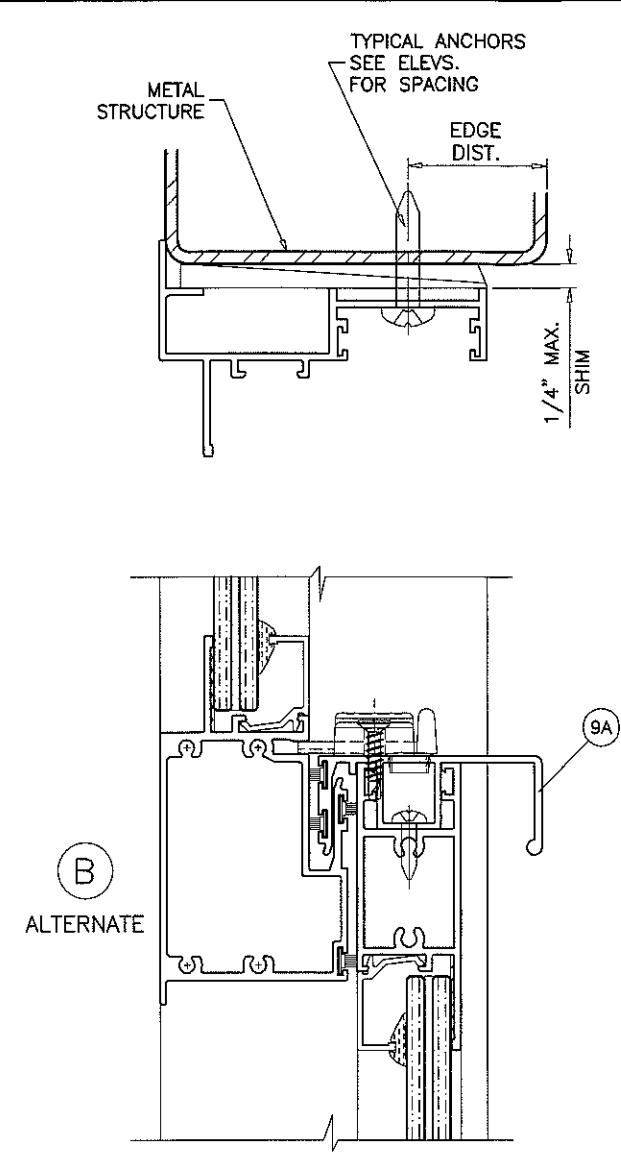
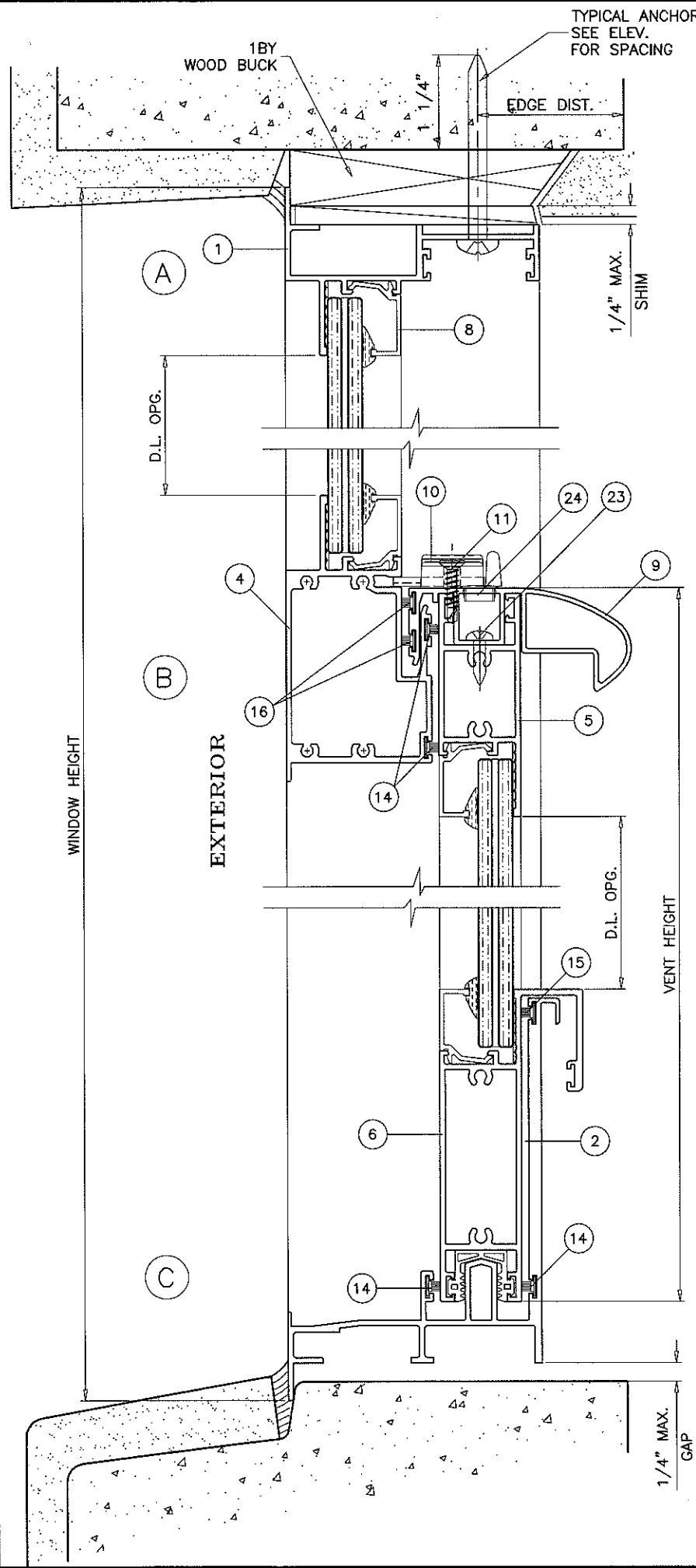
af c
AL-FAROOQ CORPORATION
ENGINEERS & PRODUCT DEVELOPMENT
9360 SUNSET DRIVE, SUITE 220
MIAMI, FLORIDA 33173 (C.A.N. 35398)
TEL. (305) 264-8100 FAX. (305) 262-6978
COMP-ANL\W11-17EWD

SERIES 80 HW ALUM SINGLE HUNG WDW. (L.M.I.)
Eurotech Industries Inc.
4201 N.E. 12th Terrace
Oakland Park, Florida 33334
Tel. (954) 630-9967 Fax. (954) 630-0217

| no | date | description |
|----|----------|----------------------|
| A | 06.28.11 | NO CHANGE THIS SHEET |
| B | 10.13.11 | NO CHANGE THIS SHEET |
| C | 08.12.15 | UPDATED TO 2014 FBC |
| D | 11.29.17 | UPDATED TO 2017 FBC |

date: 04-01-11
scale: 1/2"=1'-0"
dr. by: TARIQ
chk. by:
drawing no.
W11-17
sheet 2 of 6

DEC 07 2017

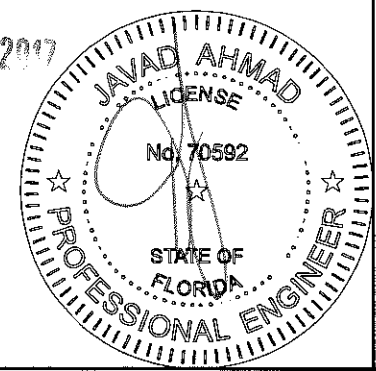


WOOD BUCKS AND METAL STRUCTURE NOT BY EUROTECH MUST SUSTAIN LOADS IMPOSED BY GLAZING SYSTEM AND TRANSFER THEM TO THE BUILDING STRUCTURE.

TYPICAL ANCHORS: SEE ELEV. FOR SPACING
1/4" DIA. ULTRACON BY 'ELCO' (Fu=177 KSI, Fy=155 KSI)
 INTO 2BY WOOD BUCKS OR WOOD STRUCTURES
 1-1/2" MIN. PENETRATION INTO WOOD (HEAD/JAMBS)
 THRU 1BY BUCKS INTO CONC. OR BLOCKS
 1-1/4" MIN. EMBED INTO CONCRETE (HEAD/JAMBS)
 1-1/4" MIN. EMBED INTO BLOCKS (JAMBS)
 DIRECTLY INTO CONCRETE OR BLOCKS
 1-1/4" MIN. EMBED INTO CONCRETE (HEAD/JAMBS)
 1-1/4" MIN. EMBED INTO BLOCKS (JAMBS)
1/4" DIA. TEKS OR SELF DRILLING SCREWS (GRADE 5 CRS)
 INTO MIAMI-DADE COUNTY APPROVED MULLIONS
 OR
 INTO METAL STRUCTURES (HEAD/JAMBS)
 (3) THREADS MIN. TO EXTEND BEYOND METAL THICKNESS
 ALUMINUM: 1/8" THK. MIN. (6063-T5 MIN.)
 STEEL: 1/8" THK. MIN. (Fy = 36 KSI MIN.)
 (STEEL IN CONTACT WITH ALUMINUM TO BE PLATED OR PAINTED)
TYPICAL EDGE DISTANCE
 INTO CONCRETE AND BLOCKS = 2-1/2" MIN.
 INTO WOOD STRUCTURE = 1" MIN.
 INTO METAL STRUCTURE = 3/4" MIN.
 WOOD AT HEAD OR JAMBS SG = 0.55 MIN.
 CONCRETE AT HEAD OR JAMBS f'c = 3000 PSI MIN. C-90
 HOLLOW/FILLED BLOCK AT JAMBS f'm = 2000 PSI MIN.

SEALANTS:
 ALL JOINTS AND FRAME CONNECTIONS SEALED WITH GE SILICONE SEALANT.

PRODUCT REVISED as complying with the Florida Building Code
 Acceptance No 17-1218.18
 Expiration Date 07/07/2021
 By *[Signature]*
 Miami Dade Product Control

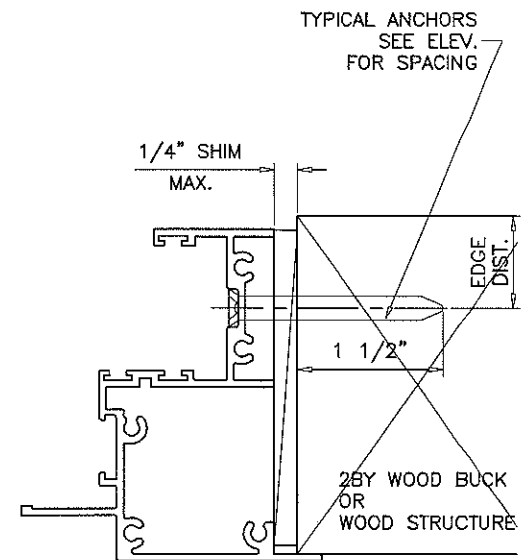
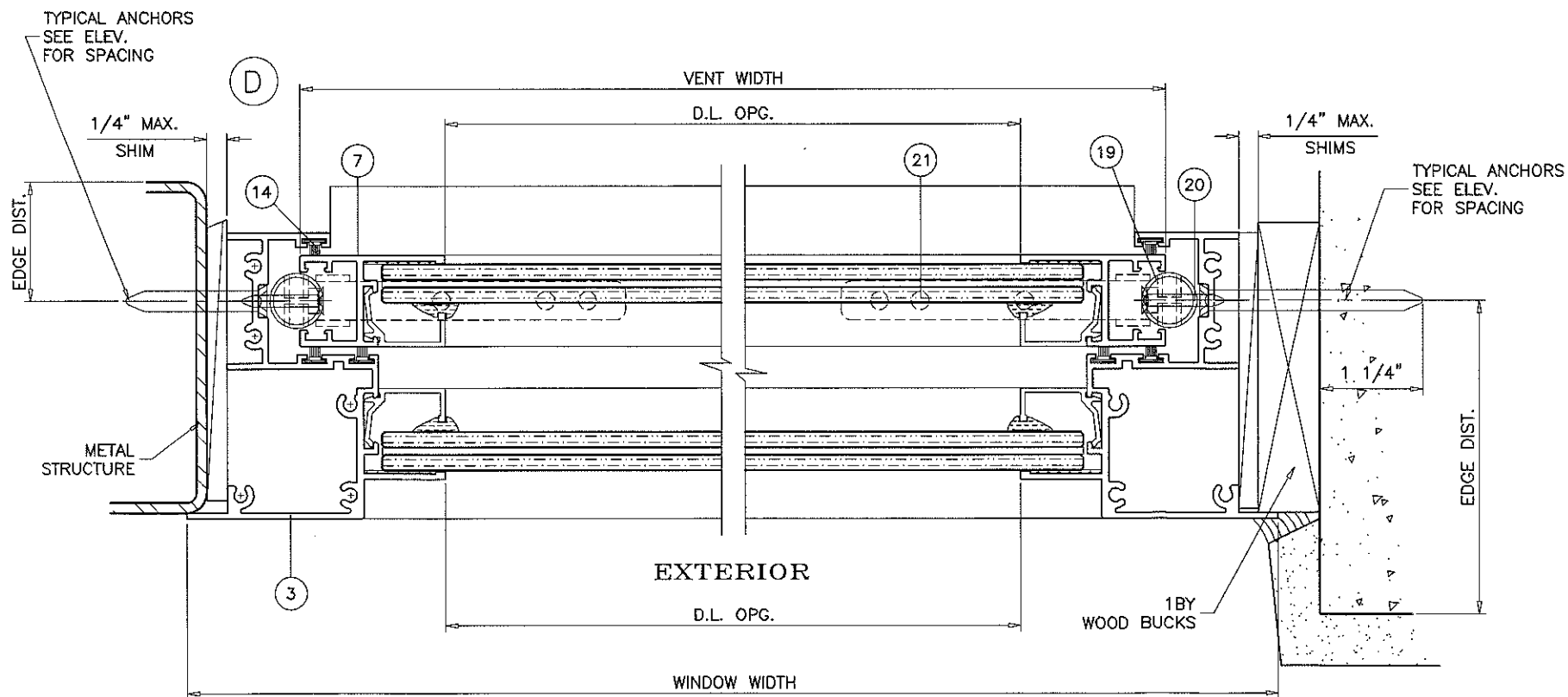
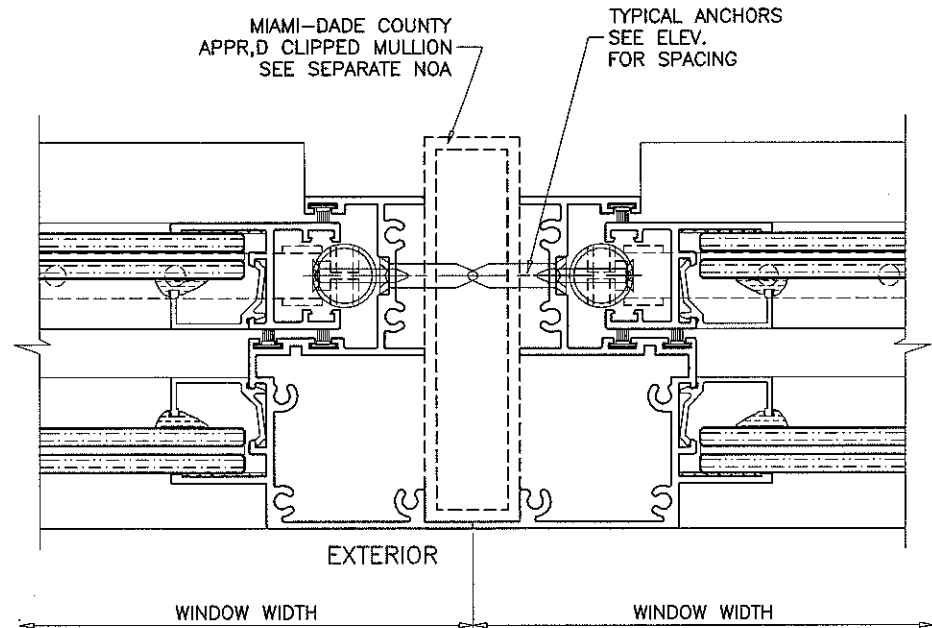


af c
AL-FAROOQ CORPORATION
 ENGINEERS & PRODUCT DEVELOPMENT
 9360 SUNSET DRIVE, SUITE 220
 MIAMI, FLORIDA 33173
 TEL. (305) 264-8100 FAX. (305) 262-6978
 COMP-ANL\W11-17EWD

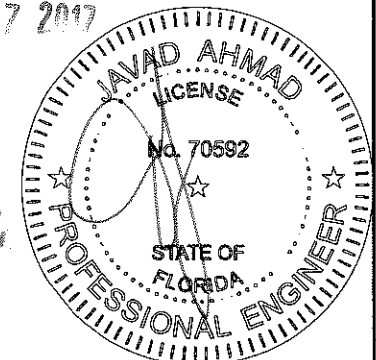
SERIES 80 HW ALUM SINGLE HUNG WDW. (L.M.I.)
Eurotech Industries Inc.
 4201 N.E. 12th Terrace
 Oakland Park, Florida 33334
 Tel. (954) 630-9967 Fax. (954) 630-0217

| no | date | by | description |
|----|----------|-----------------------|-------------|
| A | 06.28.11 | REV. PER BNC COMMENTS | |
| B | 10.13.11 | NO CHANGE THIS SHEET | |
| C | 08.12.15 | UPDATED TO 2014 FBC | |
| D | 11.29.17 | UPDATED TO 2017 FBC | |

date: 04-01-11
 scale: 1/2" = 1"
 dr. by: TARIQ
 chk. by:
 drawing no.
W11-17
 sheet 3 of 6



PRODUCT REVISED
 as complying with the Florida
 Building Code
 Acceptance No 17-1218-18
 Expiration Date 07/02/2021
 By [Signature]
 Miami Dade Product Control

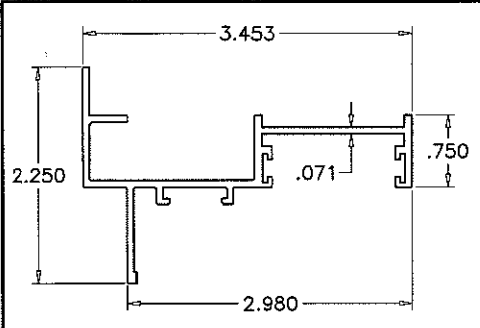


af c
AL-FAROOQ CORPORATION
 ENGINEERS & PRODUCT DEVELOPMENT
 9360 SUNSET DRIVE, SUITE 220
 MIAMI, FLORIDA 33173 (C.A.N. 3638)
 TEL. (305) 264-8100 FAX. (305) 262-6978
 COMP-ANL W11-17EWD

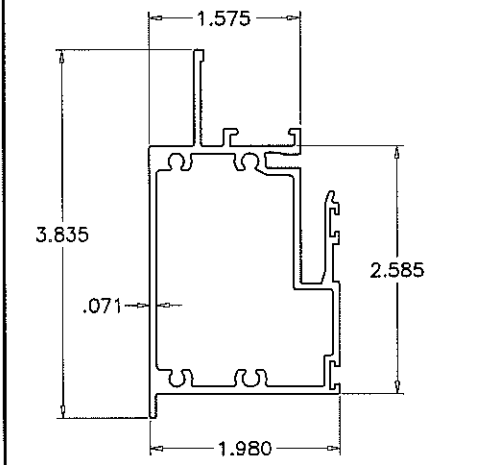
SERIES 80 HW ALUM SINGLE HUNG WDW. (L.M.I.)
Eurotech Industries Inc.
 4201 N.E. 12th Terrace
 Oakland Park, Florida 33334
 Tel. (954) 630-9967 Fax. (954) 630-0217

| no | date | by | description |
|----|----------|-----------------------|-------------|
| A | 06.26.11 | REV. PER BNC COMMENTS | |
| B | 10.13.11 | NO CHANGE THIS SHEET | |
| C | 08.12.15 | UPDATED TO 2014 FBC | |
| D | 11.29.17 | UPDATED TO 2017 FBC | |

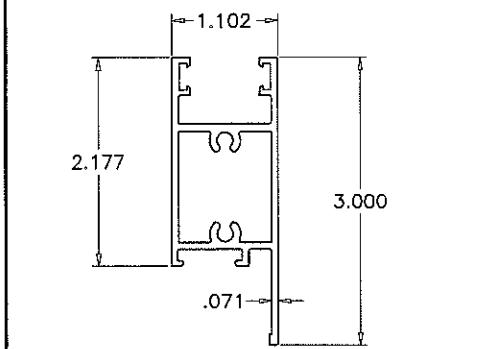
| | |
|-------------|-----------|
| date: | 04-01-11 |
| scale: | 1/2" = 1" |
| dr. by: | TARIQ |
| chk. by: | |
| drawing no. | W11-17 |
| sheet | 4 of 6 |



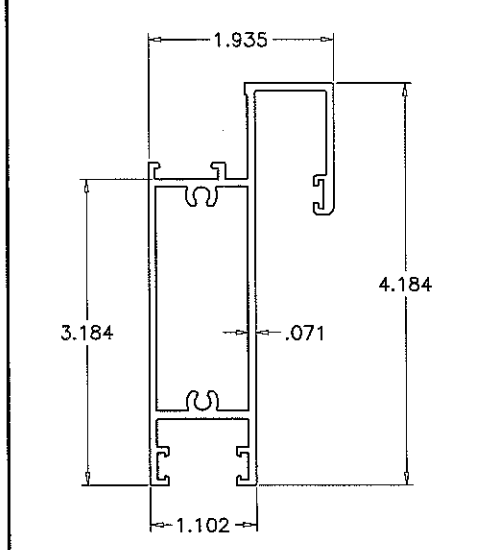
① FRAME HEAD



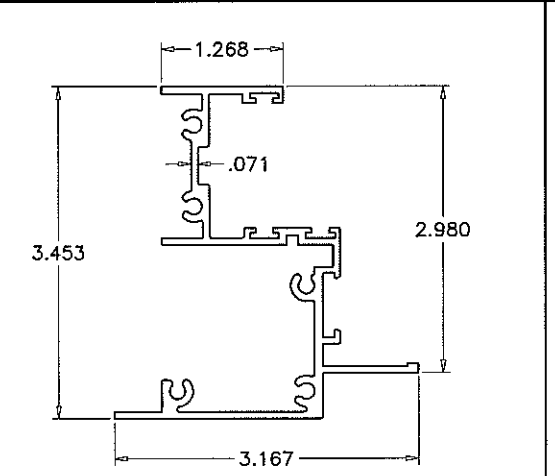
④ FIX. MEETING RAIL



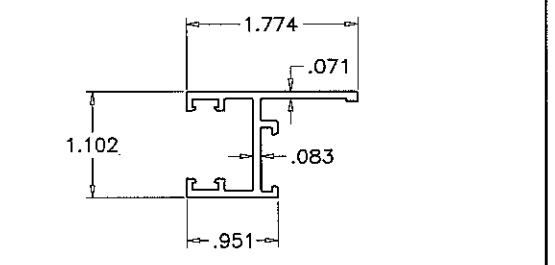
⑤ VENT TOP RAIL



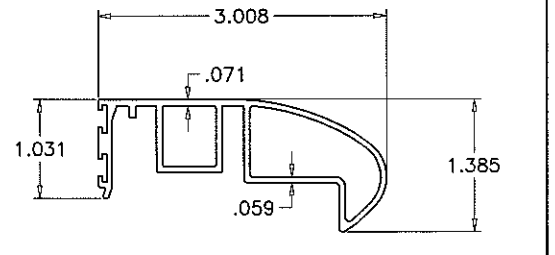
⑥ VENT BOTTOM RAIL



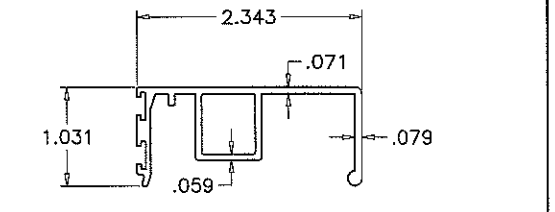
③ FRAME JAMB



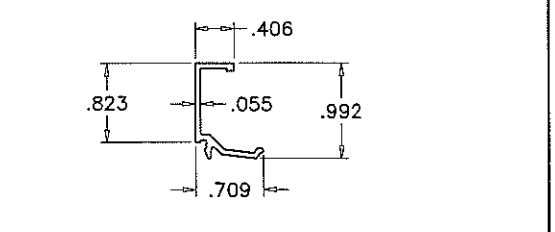
⑦ VENT SIDE RAIL



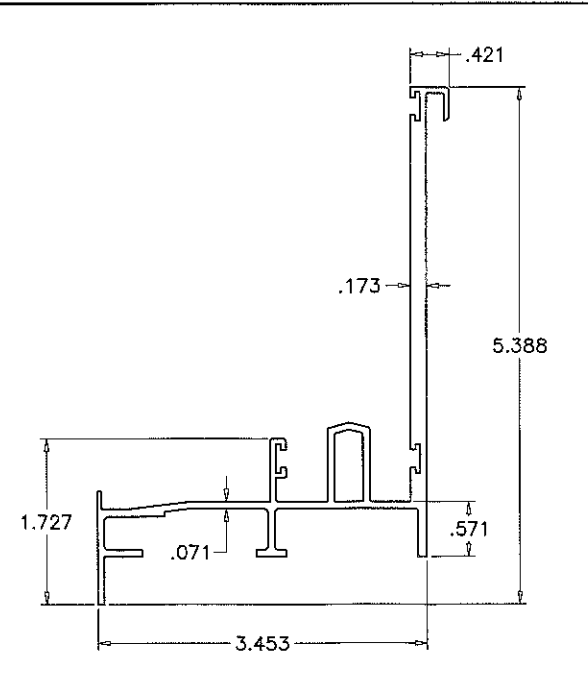
⑨ VENT TOP RAIL CAP



⑨A ALT. VENT TOP RAIL CAP

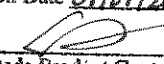


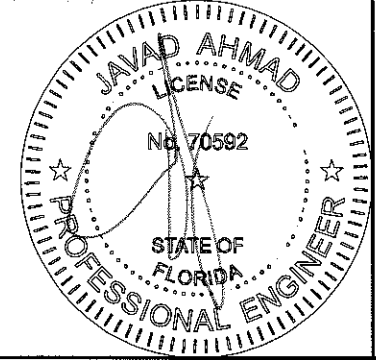
⑧ GLAZING BEAD



② FRAME SILL

| ITEM # | PART # | REQD. | DESCRIPTION | MATERIAL | MANF./SUPPLIER/REMARKS |
|--------|--------------|------------|---|-----------|------------------------|
| 1 | HW002 | 1 | FRAME HEAD | 6063-T5 | - |
| 2 | HW001 | 1 | FRAME SILL | 6063-T5 | - |
| 3 | HW003 | 2 | FRAME JAMB | 6063-T5 | - |
| 4 | HW014 | 1 | FIXED MTG. RAIL | 6063-T5 | - |
| 5 | HW004 | 1 | VENT TOP RAIL | 6063-T5 | - |
| 6 | HW006 | 1 | VENT BOTTOM RAIL | 6063-T5 | - |
| 7 | HW005 | 2 | VENT SIDE RAIL | 6063-T5 | - |
| 8 | HW010 | AS REQD. | GLAZING BEAD | 6063-T5 | - |
| 9 | HW015 | 2/VENT | VENT TOP RAIL CAP | 6063-T5 | - |
| 9A | HW008 | 2/VENT | ALT. VENT TOP RAIL CAP | 6063-T6 | - |
| 10 | 7538 | 2/VENT | SWEEP LATCH, AT 14" FROM ENDS | ZAMAK | - |
| 11 | #8 X 1" | 2/ LATCH | LATCH INST. SCREWS | ST. STEEL | FH SMS |
| 12 | #10 X 3/4" | AS REQD. | FRAME HEAD & VENT ASSEMBLY SCREWS | CRS | PH SMS |
| 13 | #10 X 1-1/4" | AS REQD. | FRAME SILL ASSEMBLY SCREWS | CRS | P PH TEK SCREWS |
| 14 | 270X220 | AS REQD. | FIN SEAL W'STRIPPING | - | ULTRAFAB |
| 15 | 270X340 | AS REQD. | FIN SEAL W'STRIPPING | - | ULTRAFAB |
| 16 | 271X220 | AS REQD. | FIN SEAL W'STRIPPING | - | ULTRAFAB |
| 17 | - | 4/ VENT | SASH GUIDE | RIGID PVC | M&M PLASTICS |
| 18 | #6 X 1/2" | 1/ GUIDE | SASH GUIDE INST. SCREW | CRS | P PH SMS |
| 19 | F 210 | 2/VENT | SASH BALANCE | - | SUPERBOOST BY BSI |
| 20 | #10 X 1-1/2" | 1/ BALANCE | BALANCE INST. SCREW | - | P PH TEK SCREW |
| 21 | - | 1/ BALANCE | F-BRACKET FOOT | - | - |
| 22 | - | AS REQD. | WEDGE GASKET | EPDM | DUROMETER ±75 SHORE A |
| 23 | #10 X 3/4" | 3/ CAP | CAP INSTALLATION SCREWS, AT 6" FROM ENDS & AT MIDSPAN | - | P PH TEK SCREWS |
| 24 | - | AS REQD. | DUST PLUG (OPTIONAL) | - | - |
| 25 | - | AS REQD. | SETTING BLOCKS | EPDM | DUROMETER 80±5 SHORE A |

PRODUCT REVISED
as complying with the Florida
Building Code
Acceptance No 17-1218-18
Expiration Date 01/01/2021.
By 
Miami Dade Product Control



af c
AL-FAROOQ CORPORATION
ENGINEERS & PRODUCT DEVELOPMENT
9360 SUNSET DRIVE, SUITE 220
MIAMI, FLORIDA 33173 (C.A.N. 3538)
TEL. (305) 264-8100 FAX. (305) 262-6978
COMP-ANL\W11-17EWD

SERIES 80 HW ALUM SINGLE HUNG WDW. (L.M.I.)
Eurotech Industries Inc.
4201 N.E. 12th Terrace
Oakland Park, Florida 33334
Tel. (954) 630-9967 Fax. (954) 630-0217

revisions:

| no | date | description |
|----|----------|----------------------|
| A | 06.28.11 | NO CHANGE THIS SHEET |
| B | 10.13.11 | NO CHANGE THIS SHEET |
| C | 08.12.15 | UPDATED TO 2014 FBC |
| D | 11.29.17 | UPDATED TO 2017 FBC |

date: 04-01-11
scale: 1/2" = 1"
dr. by: TARIQ
chk. by:
drawing no.
W11-17
sheet 5 of 6

DEC 07 2017

afc

AL-FAROOQ CORPORATION
 ENGINEERS & PRODUCT DEVELOPMENT
 9360 SUNSET DRIVE, SUITE 220
 MIAMI, FLORIDA 33173 (C.A.N. 3538)
 TEL. (305) 264-8100 FAX. (305) 262-6978

COMP-ANL W11-17EWD

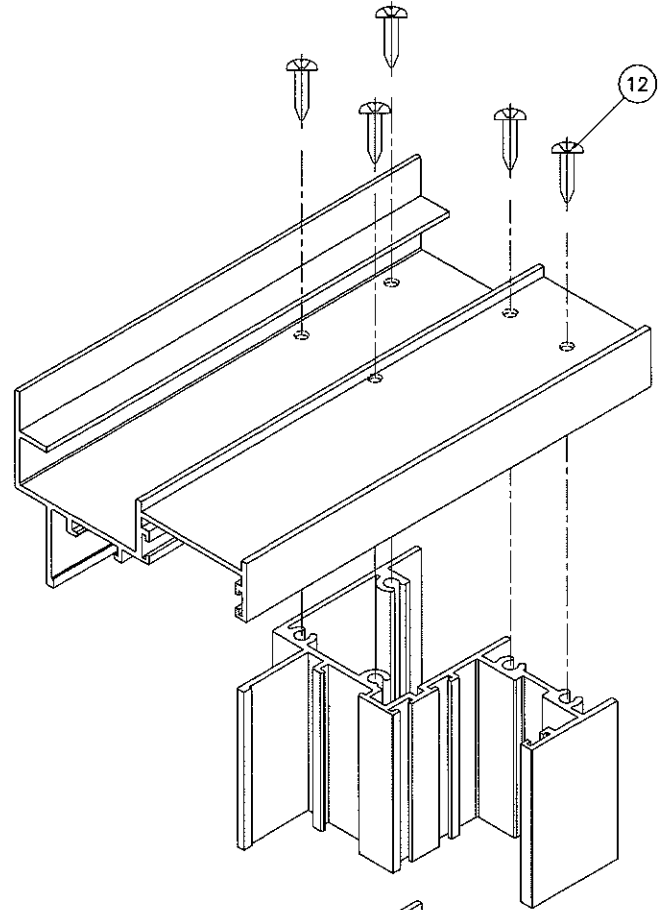
SERIES 80 HW ALUM SINGLE HUNG WDW. (L.M.I.)

Eurotech Industries Inc.
 4201 N.E. 12th Terrace
 Oakland Park, Florida 33334
 Tel. (954) 630-9967 Fax. (954) 630-0217

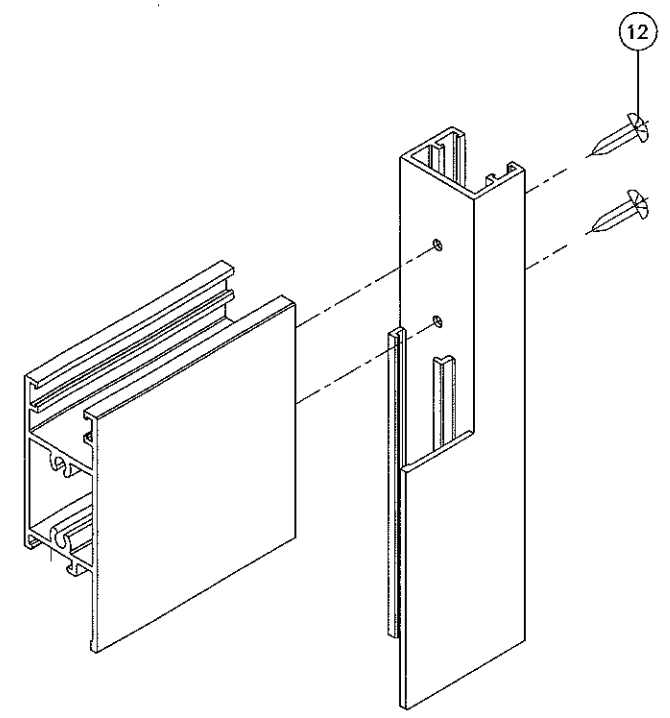
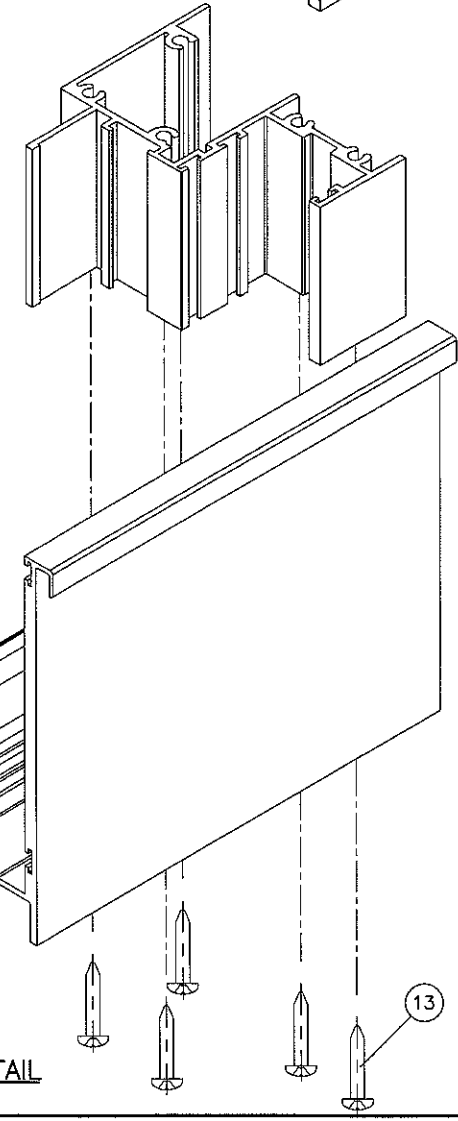
| no | date | by | description |
|----|----------|----|----------------------|
| A | 06.28.11 | | NO CHANGE THIS SHEET |
| B | 10.13.11 | | NO CHANGE THIS SHEET |
| C | 08.12.15 | | NO CHANGE THIS SHEET |
| D | 11.29.17 | | UPDATED TO 2017 FBC |

| | |
|----------|-----------|
| date: | 04-01-11 |
| scale: | 1/2" = 1" |
| dr. by: | TARIQ |
| chk. by: | |

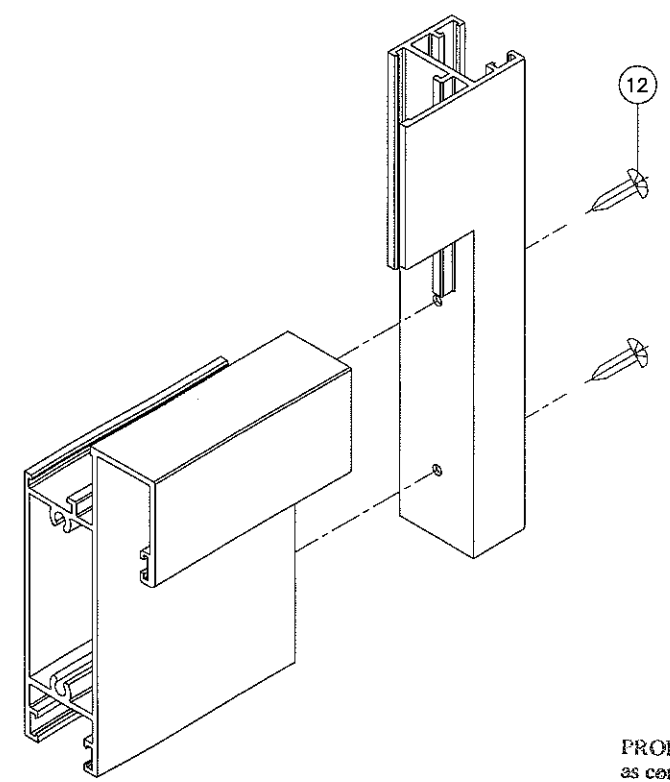
drawing no.
W11-17
 sheet 6 of 6



FRAME CORNERS DETAIL



VENT CORNER DETAIL



DEC 07 2017

PRODUCT REVISED
 as complying with the Florida
 Building Code
 Acceptance No 17-1218.1B
 Expiration Date 07/07/2022
 By [Signature]
 Miami Dade Product Control

