



DEPARTMENT OF REGULATORY AND ECONOMIC RESOURCES (RER)  
BOARD AND CODE ADMINISTRATION DIVISION

MIAMI-DADE COUNTY  
PRODUCT CONTROL SECTION

11805 SW 26 Street, Room 208  
T (786) 315-2590 F (786) 315-2599

**NOTICE OF ACCEPTANCE (NOA)**

[www.miamidade.gov/economy](http://www.miamidade.gov/economy)

**WinDoor, Inc.**  
7500 Amsterdam Drive  
Orlando, FL 32832

**SCOPE:**

This NOA is being issued under the applicable rules and regulations governing the use of construction materials. The documentation submitted has been reviewed and accepted by Miami-Dade County RER - Product Control Section to be used in Miami Dade County and other areas where allowed by the Authority Having Jurisdiction (AHJ).

This NOA shall not be valid after the expiration date stated below. The Miami-Dade County Product Control Section (In Miami-Dade County) and/or the AHJ (in areas other than Miami-Dade County) reserve the right to have this product or material tested for quality assurance purposes. If this product or material fails to perform in the accepted manner, the manufacturer will incur the expense of such testing and the AHJ may immediately revoke, modify, or suspend the use of such product or material within their jurisdiction. RER reserves the right to revoke this acceptance, if it is determined by Miami-Dade County Product Control Section that this product or material fails to meet the requirements of the applicable building code.

This product is approved as described herein, and has been designed to comply with the Florida Building Code, including the High Velocity Hurricane Zone.-

**DESCRIPTION: Series "V-100 Tilt-Turn w/ Hopper" White PVC Dual Action Window - L.M.I.**

**APPROVAL DOCUMENT:** Drawing No. **08-01905**, titled "Series V-100 Tilt & Turn Vinyl Window w/ Hopper 48" x 108", sheets 1 through 6 of 6, dated 01/23/13, with revision "C" dated 11/30/2017, prepared by manufacturer, signed and sealed by Luis R. Lomas, P.E., bearing the Miami-Dade County Product Control Revision stamp with the Notice of Acceptance number and expiration date by the Miami-Dade County Product Control Section.

**MISSILE IMPACT RATING: Large and Small Missile Impact Resistant**

**LABELING:** Each unit shall bear a permanent label with the manufacturer's name or logo, city, state, model/series, and following statement: "Miami-Dade County Product Control Approved", unless otherwise noted herein.

**RENEWAL** of this NOA shall be considered after a renewal application has been filed and there has been no change in the applicable building code negatively affecting the performance of this product.

**TERMINATION** of this NOA will occur after the expiration date or if there has been a revision or change in the materials, use, and/or manufacture of the product or process. Misuse of this NOA as an endorsement of any product, for sales, advertising or any other purposes shall automatically terminate this NOA. Failure to comply with any section of this NOA shall be cause for termination and removal of NOA.

**ADVERTISEMENT:** The NOA number preceded by the words Miami-Dade County, Florida, and followed by the expiration date may be displayed in advertising literature. If any portion of the NOA is displayed, then it shall be done in its entirety.

**INSPECTION:** A copy of this entire NOA shall be provided to the user by the manufacturer or its distributors and shall be available for inspection at the job site at the request of the Building Official.

This NOA **revises and renews NOA# 15-0723.18** and consists of this page 1 and evidence pages E-1, E-2 and E-3, as well as approval document mentioned above.

The submitted documentation was reviewed by **Sifang Zhao, P.E.**



*S.Z.*  
*01/12/2018*

NOA No. 17-1219.18  
Expiration Date: September 12, 2023  
Approval Date: July 19, 2018  
Page 1

**NOTICE OF ACCEPTANCE: EVIDENCE SUBMITTED**

**1. EVIDENCE SUBMITTED UNDER PREVIOUS NOA's**

**A. DRAWINGS**

1. Manufacturer's die drawings and sections.  
*(Submitted under NOA No. 13-0321.11)*
2. Drawing No **08-01905**, Sheets 1 through 6 of 6, titled "Series V-100 PVC Tilt & Turn Vinyl Window w/ Hopper 48" x 108", dated 01/23/13, with revision "B" dated 04/18/16, prepared by manufacturer, signed and sealed by Luis R. Lomas, P.E.  
*(Submitted under NOA No. 15-0723.18)*

**B. TESTS**

1. Test reports on: 1) Air Infiltration Test, per FBC, TAS 202-94  
2) Uniform Static Air Pressure Test, Loading per FBC TAS 202-94  
3) Water Resistance Test, per FBC, TAS 202-94  
4) Large Missile Impact Test per FBC, TAS 201-94  
5) Cyclic Wind Pressure Loading per FBC, TAS 203-94  
along with marked-up drawings and installation diagram of: series "V100 tilt and turn PVC window with hopper", prepared by National Certified Testing Laboratories, Test Report No. **NCTL-210-3775-1**, dated 10/17/11, signed and sealed by Gerard J. Ferrara, P.E.  
*(Submitted under NOA No. 13-0321.11)*
2. Test reports on: 1) Air Infiltration Test, per FBC, TAS 202-94  
2) Uniform Static Air Pressure Test, Loading per FBC TAS 202-94  
3) Water Resistance Test, per FBC, TAS 202-94  
4) Large Missile Impact Test per FBC, TAS 201-94  
5) Cyclic Wind Pressure Loading per FBC, TAS 203-94  
6) Forced Entry Test, per FBC 2411 3.2.1, TAS 202-94  
along with marked-up drawings and installation diagram of: series V100 tilt and turn PVC window with hopper, prepared by National Certified Testing Laboratories, Test Report No. **NCTL-210-3658-1**, dated 01/19/10, signed and sealed by Gerard J. Ferrara, P.E.  
*(Submitted under NOA No. 13-0321.10)*

**C. CALCULATIONS**

1. Anchor verification calculations and structural analysis, complying with **FBC-5<sup>th</sup> Edition (2014)**, dated 07/08/15, revised on 04/19/16, prepared, signed and sealed by Luis R. Lomas, P.E.  
*(Submitted under NOA No. 15-0723.18)*
2. Glazing complies with **ASTM E1300-04/ 09**

**D. QUALITY ASSURANCE**

1. Miami-Dade Department of Regulatory and Economic Resources (RER).



Sifang Zhao, P.E.  
Product Control Examiner  
NOA No. 17-1219.18

Expiration Date: September 12, 2023  
Approval Date: July 19, 2018

NOTICE OF ACCEPTANCE: EVIDENCE SUBMITTED

**E. MATERIAL CERTIFICATIONS**

1. NOA No. **14-0916.11** issued to **Kuraray America, Inc.** for their “**SentryGlas® (Clear and White) Glass Interlayers**” dated 06/25/15, expiring on 07/04/18.
2. NOA No. **12-0106.01** issued to **VEKA, Inc.**, for their “**White Rigid PVC Exterior Extrusions for Windows and Doors**” dated 08/09/12, expiring on 03/04/17.

**F. STATEMENTS**

1. Statement letter of conformance, complying with **FBC-5<sup>th</sup> Edition (2014)**, and of no financial interest, dated 01/23/15, issued, signed and sealed by Luis R. Lomas, P.E. (*Submitted under NOA No. 15-0723.18*)
2. Laboratory compliance letter for Test Reports No.’s **NCTL-210-3775-1**, dated 10/17/11 and **NCTL-210-3658-1**, dated 01/19/10, both issued by National Certified Testing Laboratories, Inc., signed and sealed by Gerard J. Ferrara, P. E. (*Submitted under NOA No. 13-0321.11*)

**G. OTHERS**

1. NOA No. **13-0321.11**, issued to WinDoor, Inc. for their Series “**V-100 Tilt-Turn w/ Hopper**” White PVC Dual Action Window - L.M.I. approved on 09/12/13 and expiring on 09/12/18.

**2. NEW EVIDENCE SUBMITTED**

**A. DRAWINGS**

1. Drawing No. **08-01905**, Sheets 1 through 6 of 6, titled “**Series V-100 PVC Tilt & Turn Vinyl Window w/ Hopper 48” x 108”**”, dated 01/23/13, with revision “**C**” dated 11/30/17, prepared by manufacturer, signed and sealed by Luis R. Lomas, P.E.

**B. TESTS**

1. None

**C. CALCULATIONS**


1. None.

**D. QUALITY ASSURANCE**

1. Miami-Dade Department of Regulatory and Economic Resources (RER)

**E. MATERIAL CERTIFICATIONS**

1. NOA No. **17-0808.02** issued to **Kuraray America, Inc.** for their “**SentryGlas® (Clear and White) Glass Interlayers**” dated 12/28/17, expiring on 07/04/23.
2. NOA No. **17-0228.04** issued to **VEKA, Inc.**, for their “**White Rigid PVC Exterior Profile Extrusions for Windows and Doors**” dated 02/28/17, expiring on 03/04/22.

  
Sifang Zhao, P.E.

Product Control Examiner

NOA No. 17-1219.18

Expiration Date: September 12, 2023

Approval Date: July 19, 2018

**WinDoor, Inc.**

**NOTICE OF ACCEPTANCE: EVIDENCE SUBMITTED**

**F. STATEMENTS**

1. Statement letter of conformance, complying with **FBC 6<sup>th</sup> Edition (2017)**, and of no financial interest, dated November 30, 2017, issued, signed and sealed by Luis R. Lomas, P.E.

**G. OTHERS**

1. NOA No. **15-0723.18**, issued to WinDoor, Inc. for their Series “V-100 Tilt-Turn w/ Hopper” White PVC Dual Action Window - L.M.I. approved on 06/23/16 and expiring on 09/12/18.



---

**Sifang Zhao, P.E.**  
**Product Control Examiner**  
**NOA No. 17-1219.18**  
**Expiration Date: September 12, 2023**  
**Approval Date: July 19, 2018**


REVISIONS			
REV	DESCRIPTION	DATE	APPROVED
C	REVISED PER NEW REQUIREMENTS	11/30/17	R.L.

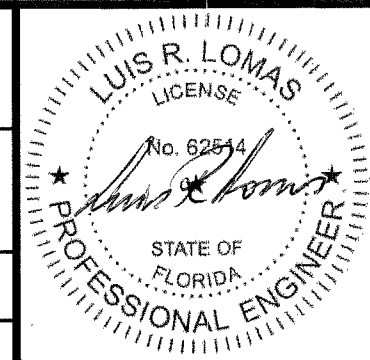
NOTES:

1. THE PRODUCT SHOWN HEREIN IS DESIGNED AND MANUFACTURED TO COMPLY WITH REQUIREMENTS OF THE FLORIDA BUILDING CODE 6th. EDITION (2017) INCLUDING THE HVHZ.
2. WOOD FRAMING AND MASONRY OPENING TO BE DESIGNED AND ANCHORED TO PROPERLY TRANSFER ALL LOADS TO STRUCTURE. FRAMING AND MASONRY OPENING IS THE RESPONSIBILITY OF THE ARCHITECT OR ENGINEER OF RECORD.
3. 1X BUCK OVER MASONRY/CONCRETE IS OPTIONAL. WHERE 1X BUCK IS NOT USED DISSIMILAR MATERIALS MUST BE SEPARATED WITH APPROVED COATING OR MEMBRANE. SELECTION OF COATING OR MEMBRANE IS THE RESPONSIBILITY OF THE ARCHITECT OR ENGINEER OF RECORD.
4. ALLOWABLE STRESS INCREASE OF 1/3 WAS NOT USED IN THE DESIGN OF THE PRODUCT SHOWN HEREIN. WIND LOAD DURATION FACTOR Cd=1.6 WAS USED FOR WOOD ANCHOR CALCULATIONS.
5. FRAME MATERIAL: EXTRUDED RIGID PVC BY VEKA WITH TENSILE STRENGTH OF 7.3KSI.
6. UNITS MUST BE GLAZED PER ASTM E1300-04/09, SEE SHEET 3 FOR GLASS DETAILS.
7. APPROVED IMPACT PROTECTIVE SYSTEM IS NOT REQUIRED FOR THIS PRODUCT IN WIND BORNE DEBRIS REGIONS.
8. SHIM AS REQUIRED AT EACH INSTALLATION ANCHOR WITH LOAD BEARING SHIM. SHIM WHERE SPACE OF 1/16" OR GREATER OCCURS. MAXIMUM ALLOWABLE SHIM STACK TO BE 1/4".
9. FOR ANCHORING INTO WOOD FRAMING OR 2X BUCK USE #14 WOOD SCREWS WITH SUFFICIENT LENGTH TO ACHIEVE A 1 7/16" MINIMUM EMBEDMENT INTO SUBSTRATE. LOCATE ANCHORS AS SHOWN IN ELEVATIONS AND INSTALLATION DETAILS.
10. FOR ANCHORING INTO MASONRY/CONCRETE USE 1/4" ELCO CRETE-FLEX SS4 WITH SUFFICIENT LENGTH TO ACHIEVE A 1 1/4" MINIMUM EMBEDMENT INTO SUBSTRATE WITH 2 1/2" MINIMUM EDGE DISTANCE. LOCATE ANCHORS AS SHOWN IN ELEVATIONS AND INSTALLATION DETAILS.
11. FOR ANCHORING INTO METAL STRUCTURE USE GRADE 5 #14 SMS OR SELF DRILLING SCREWS WITH SUFFICIENT LENGTH TO ACHIEVE 3 THREADS MINIMUM BEYOND STRUCTURE INTERIOR WALL. LOCATE ANCHORS AS SHOWN IN ELEVATIONS AND INSTALLATION DETAILS.
12. ALL FASTENERS TO BE CORROSION RESISTANT.
13. INSTALLATION ANCHORS SHALL BE INSTALLED IN ACCORDANCE WITH ANCHOR MANUFACTURER'S INSTALLATION INSTRUCTIONS AND ANCHORS SHALL NOT BE USED IN SUBSTRATES WITH STRENGTHS LESS THAN THE MINIMUM STRENGTH SPECIFIED BELOW:
  - A. WOOD - MINIMUM SPECIFIC GRAVITY OF G=0.42
  - B. CONCRETE - MINIMUM COMPRESSIVE STRENGTH OF 3,000 PSI.
  - C. MASONRY - STRENGTH CONFORMANCE TO ASTM C-90, NORMAL WEIGHT W/2KSI. STRENGTH.
  - D. METAL STRUCTURE: STEEL 18GA, 33KSI OR ALUMINUM 6063-T5 1/8" THICK MINIMUM

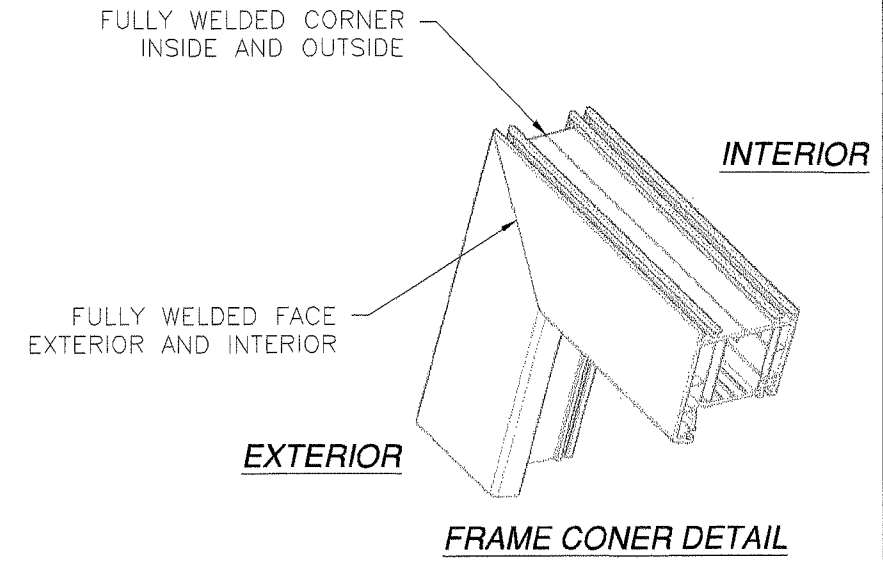
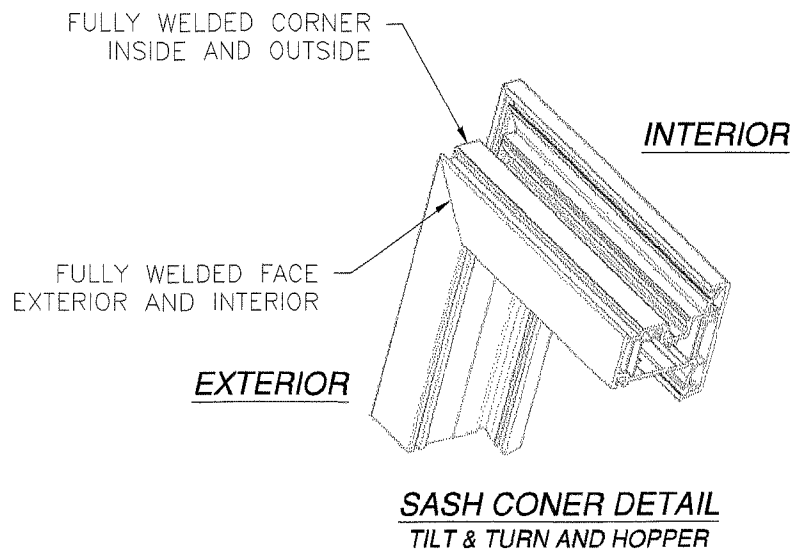
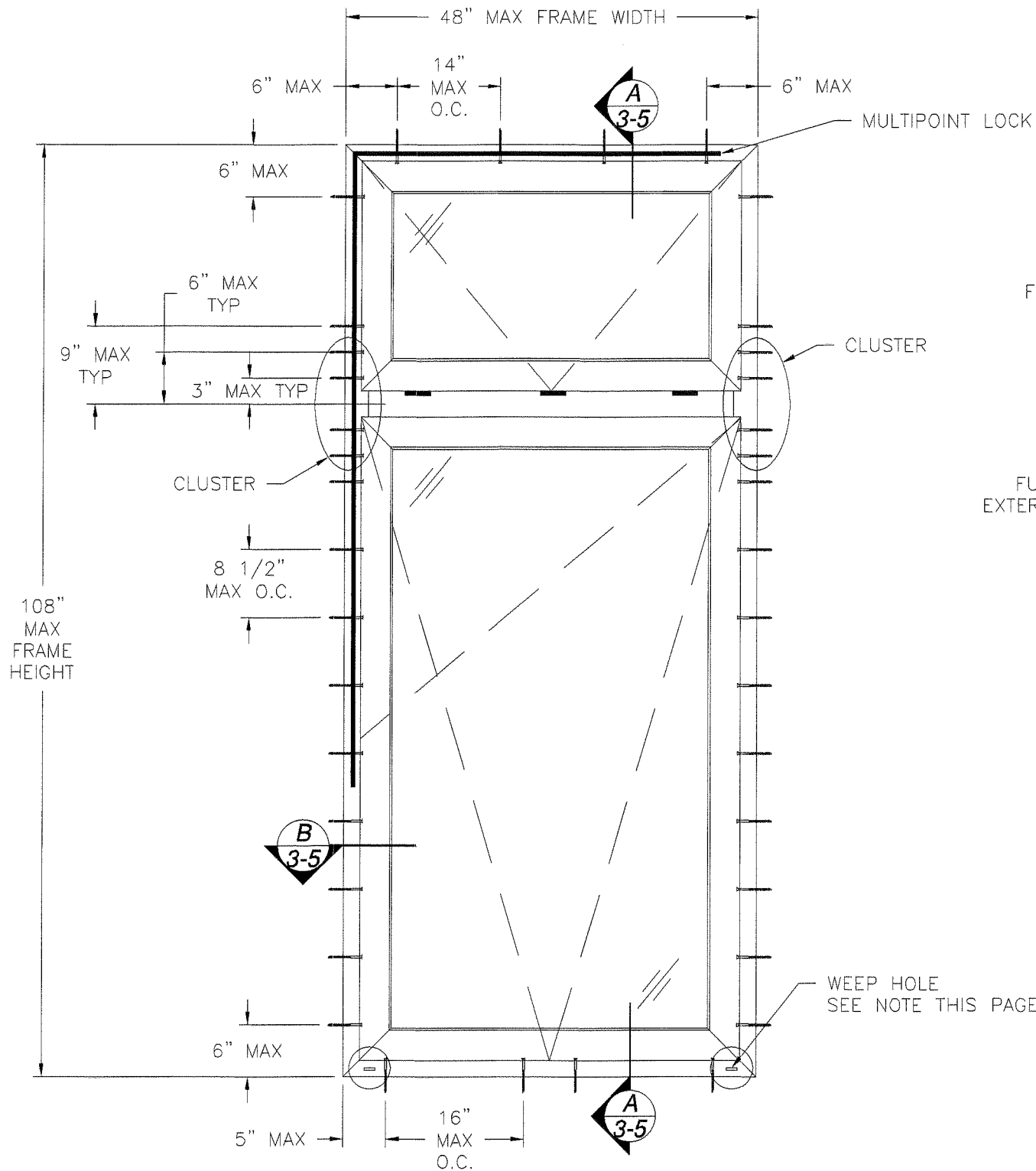
SIGNED: 05/22/2018

TABLE OF CONTENTS	
SHEET NO.	DESCRIPTION
1 - 2	ELEVATION, ANCHORING, NOTES
3	B.O.M., CROSS SECTIONS & GLAZING DETAILS
4 - 5	INSTALLATION DETAILS
6	HARDWARE LOCATIONS AND COMPONENTS

<b>WinDoor</b> INCORPORATED 7500 AMSTERDAM DRIVE ORLANDO, FL 32832 Phone: 407.481.8400 Fax: 407.481.0505 www.windoorinc.com	SERIES V-100 TILT & TURN VINYL WINDOW W/ HOPPER 48" X 108" NOTES		
	DRAWN: V.L.	DWG NO. 08-01905	REV C
By  Miami Dade Product Control	SCALE NTS	DATE 01/23/2013	SHEET 1 OF 6



REVISIONS			
REV	DESCRIPTION	DATE	APPROVED
C	REVISED PER NEW REQUIREMENTS	11/30/17	R.L.



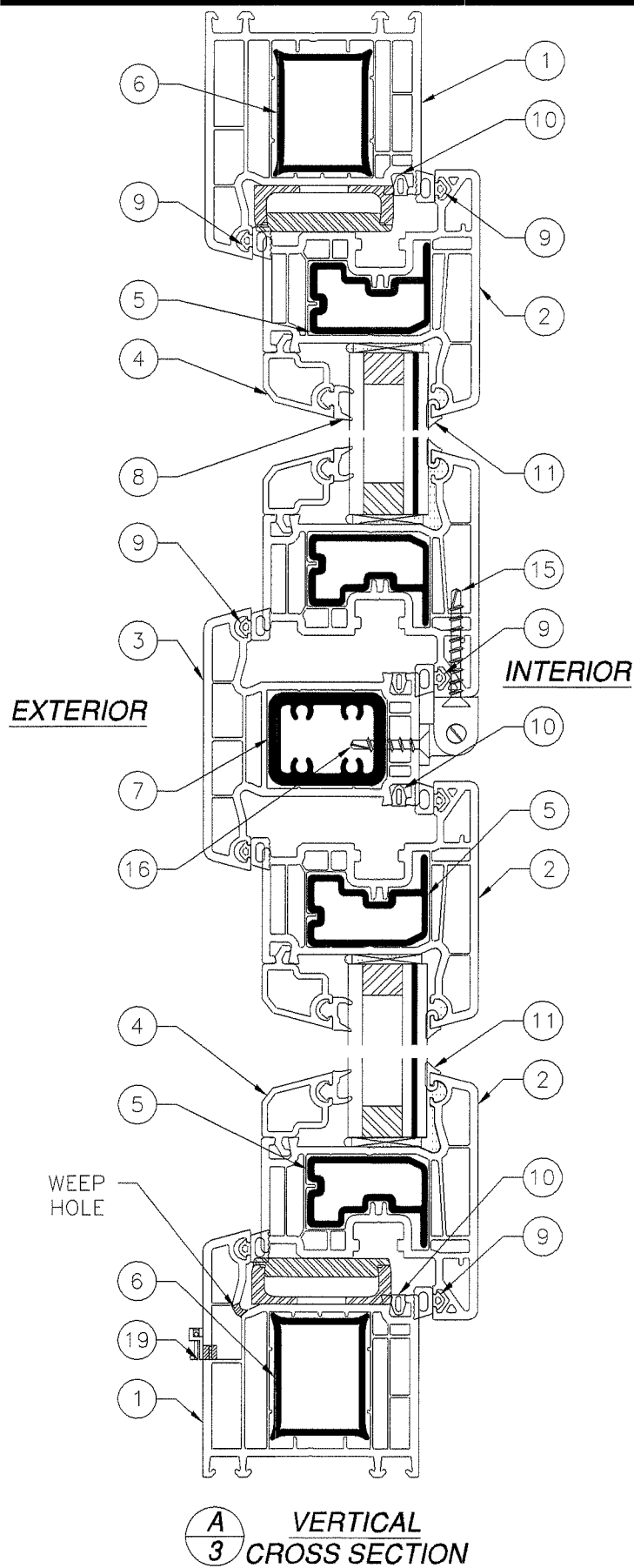
- NOTES:
- ONE WEEP 1 1/4" WIDE LOCATED AT SILL 6" FROM EACH JAMB.
  - TILT & TURN MAXIMUM SASH: 44" X 75 1/4".
  - TILT & TURN MAXIMUM D.L.O.: 37 11/16" X 67 11/16"
  - HOPPER MAXIMUM SASH: 44" X 27 7/8".
  - HOPPER MAXIMUM D.L.O.: 37 11/16" X 19 11/16".

**V-100 TILT AND TURN WINDOW W/ HOPPER**  
EXTERIOR VIEW

DESIGN PRESSURE RATING	IMPACT RATING
+100.0/-130.0PSF	LARGE MISSILE IMPACT

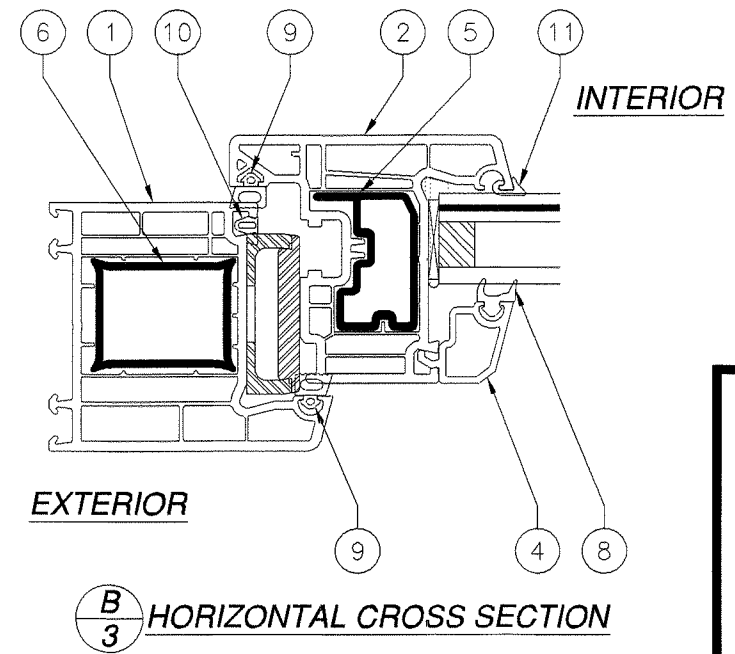
SIGNED: 05/22/2018

PRODUCT REVISED as complying with the Florida Building Code Acceptance No. <u>17-1219.1B</u> Expiration Date <u>09/12/2023</u>  By <u>[Signature]</u> Miami Dade Product Control	<b>WinDoor</b> INCORPORATED 7500 AMSTERDAM DRIVE ORLANDO, FL 32832 Phone: 407.481.8400 Fax: 407.481.0505 www.windoorinc.com	
	SERIES V-100 TILT & TURN VINYL WINDOW W/ HOPPER 48" X 108" ELEVATION	
DRAWN: V.L.	DWG NO. 08-01905	REV C
SCALE NTS	DATE 01/23/2013	SHEET 2 OF 6

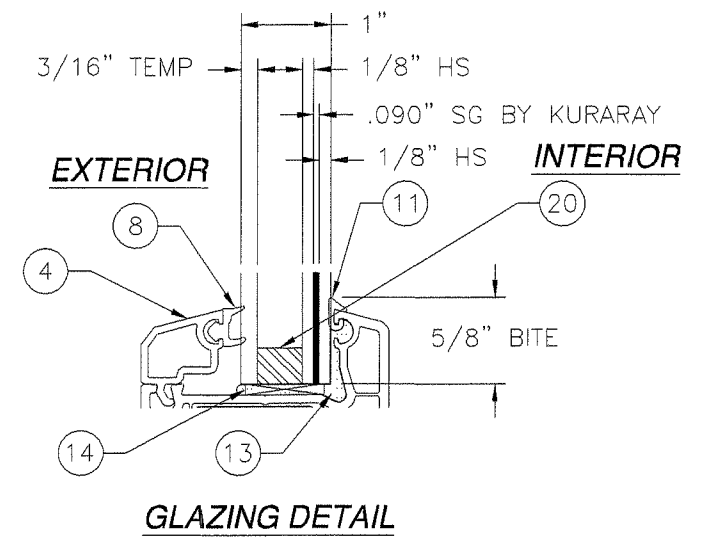


BILL OF MATERIALS				
ITEM NO.:	PART NUMBER	DESCRIPTION	MANUFACTURER	MATERIAL
1	101.214	FRAME	VEKA	WHITE PVC
2	103.228	SASH FRAME	VEKA	WHITE PVC
3	102.218	85MM T MULLION	VEKA	WHITE PVC
4	107.200	1" GLAZING BEAD	VEKA	WHITE PVC
5	FH-06511	SASH REINFORCEMENT	KEYMARK	ALUMINUM 6005-T61
6	FH-06512	FRAME REINFORCEMENT	KEYMARK	ALUMINUM 6005-T61
7	FH-06561	T MULLION REINFORCEMENT	KEYMARK	ALUMINUM 6005-T61
8	112.050	GLAZING GASKET	VEKA	EPDM 60 DURO
9	4-3334	GLAZING GASKET	LAUREN	EPDM 70 DURO
10	112.380	FILLER PROFILE	VEKA	EPDM 60 DURO
11	TP-132	VENT GLAZING LEG ADAPTER	TEAM PLASTICS	VINYL 65-70 SHORE A
12		MULTI-POINT LOCK	SIEGENIA	
13	SIKA 552	URETHANE SEALANT	SIKA	
14	2" X 1 1/2" X 1/4"	SETTING BLOCK	FRANK LOWE	80 DUROMETER
15		#8 X 1 1/2" PHILLIPS PH SCREW		
16		#8 X 1" PHILLIPS PH SCREW		
17		#10 X 3" FH SMS		
18	12-7-3443	HINGED SCREW COVER	ARK-PLAS	POLYPROPYLENE
19		WEEP COVER		PLASTIC
20	TP990	SPACER SYSTEM (SEE NOTE BELOW)	HELIMA	ALUMINUM AW-3000

NOTES:  
 SPACER MATERIAL: TENSILE ULTIMATE STRENGTH FTU= 17KSI.  
 TENSILE YIELD STRENGTH FTY= 12KSI.



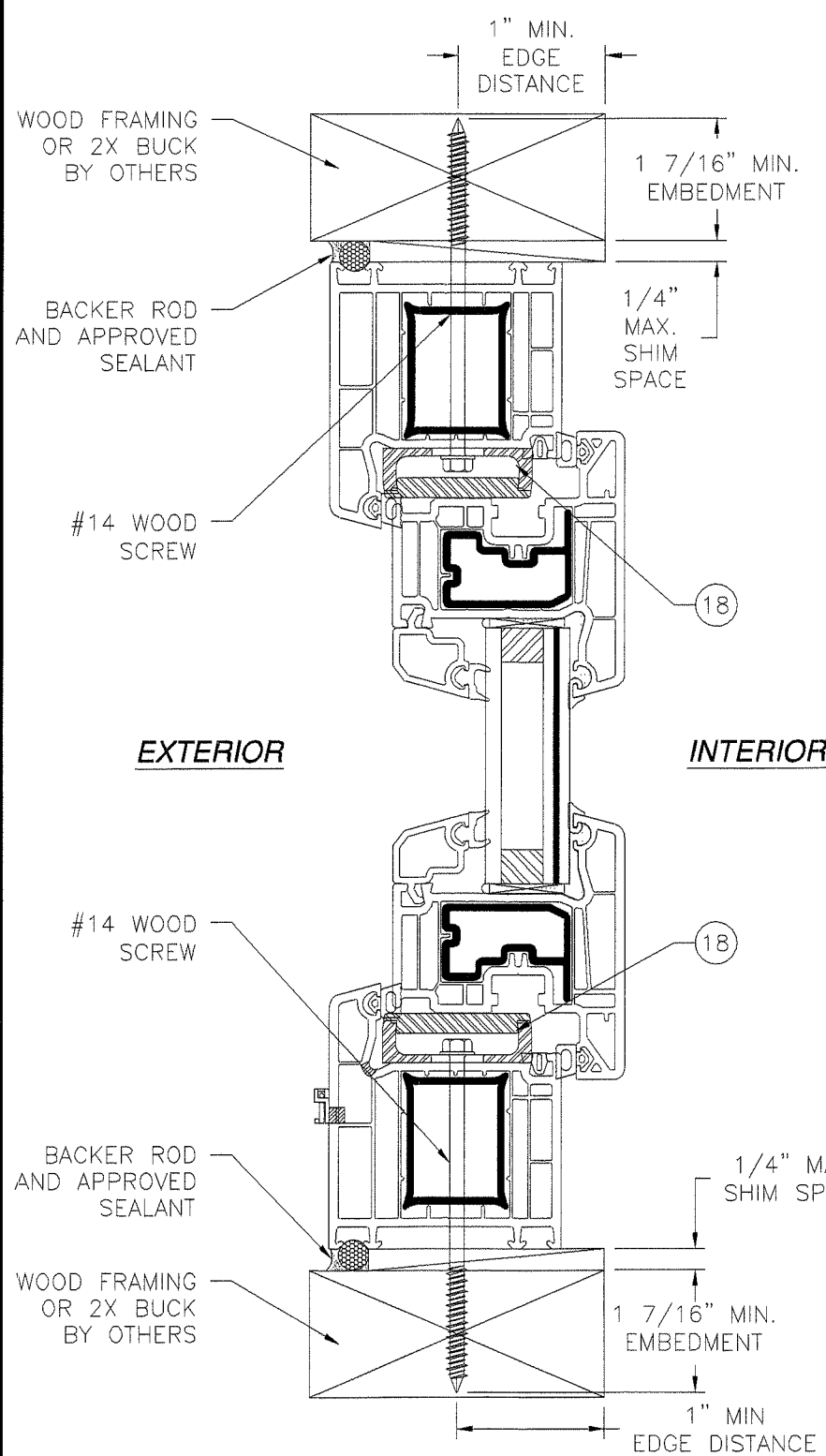
REVISIONS			
REV	DESCRIPTION	DATE	APPROVED
C	REVISED PER NEW REQUIREMENTS	11/30/17	R.L.



PRODUCT REVISED as complying with the Florida Building Code Acceptance No. <u>17-1219.18</u> Expiration Date <u>09/12/2023</u>  By <u>[Signature]</u> Miami Dade Product Control	<b>WinDoor</b> INCORPORATED 7500 AMSTERDAM DRIVE ORLANDO, FL 32832 Phone: 407.481.8400 Fax: 407.481.0505 www.windowinc.com	
	SERIES V-100 TILT & TURN VINYL WINDOW W/ HOPPER 48" X 108" B.O.M., CROSS SECTIONS & GLAZING DETAILS	
DRAWN: V.L.	DWG NO. 08-01905	REV C
SCALE NTS	DATE 01/23/2013	SHEET 3 OF 6

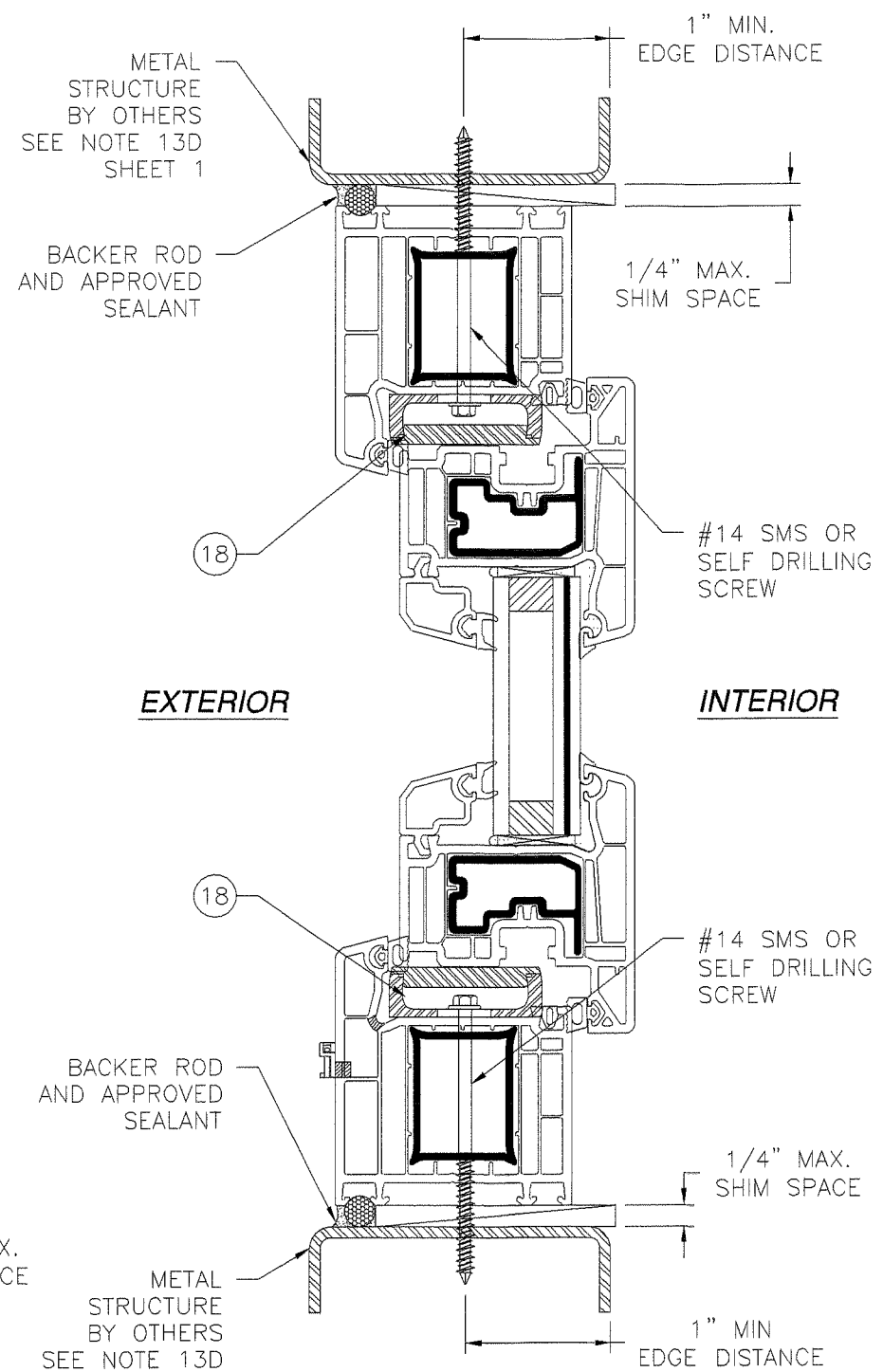
**SIGNED: 05/22/2018**

REVISIONS			
REV	DESCRIPTION	DATE	APPROVED
C	REVISED PER NEW REQUIREMENTS	11/30/17	R.L.

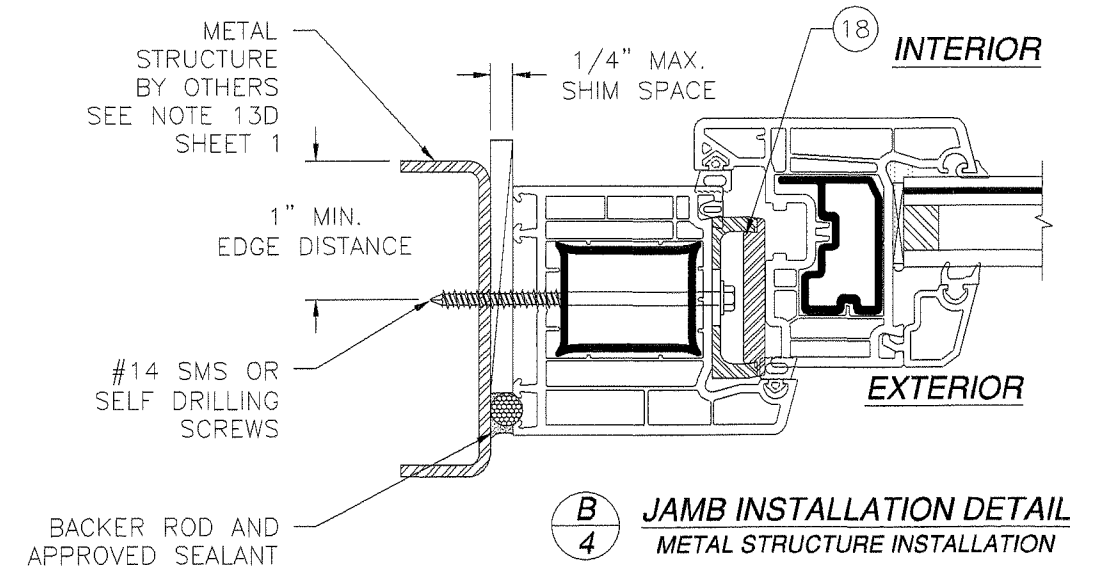


**A**  
**4** VERTICAL CROSS SECTION  
WOOD FRAMING OR 2X BUCK INSTALLATION

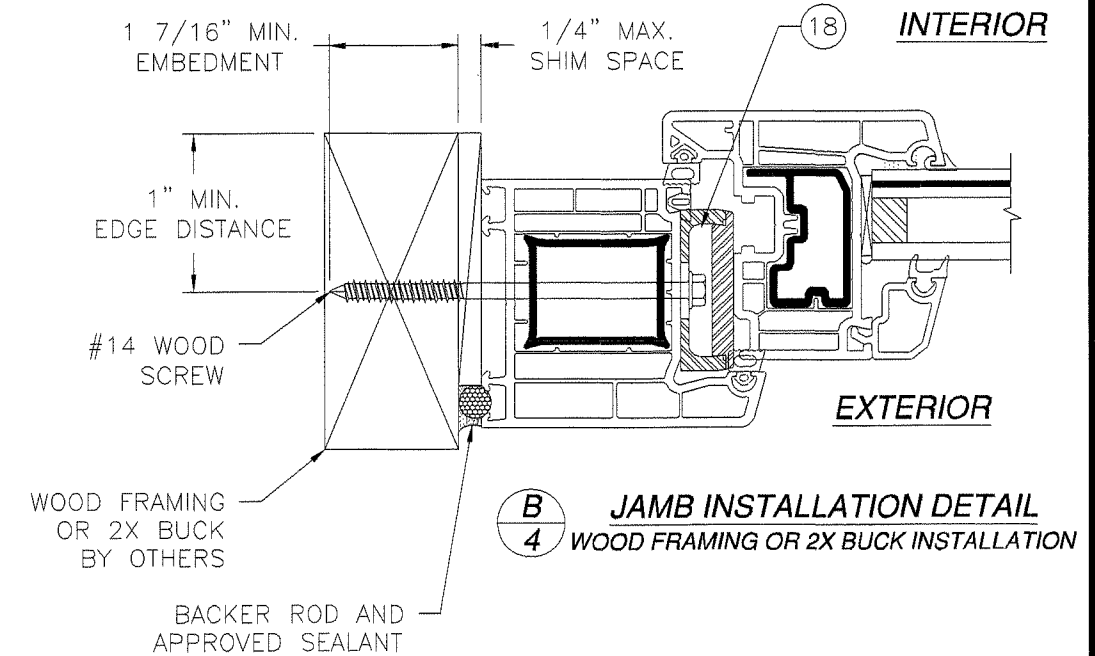
- NOTES:
1. INTERIOR AND EXTERIOR FINISHES, BY OTHERS, NOT SHOWN FOR CLARITY.
  2. PERIMETER AND JOINT SEALANT BY OTHERS TO BE DESIGNED IN ACCORDANCE WITH ASTM E2112



**A**  
**4** VERTICAL CROSS SECTION  
METAL STRUCTURE INSTALLATION



**B**  
**4** JAMB INSTALLATION DETAIL  
METAL STRUCTURE INSTALLATION



**B**  
**4** JAMB INSTALLATION DETAIL  
WOOD FRAMING OR 2X BUCK INSTALLATION

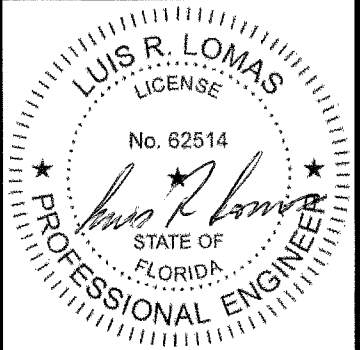
PRODUCT REVISED  
as complying with the Florida  
Building Code  
Acceptance No. 17-1219.18  
Expiration Date 09/12/2023  
By [Signature]  
Miami Dade Product Control

**WinDoor**  
INCORPORATED  
7500 AMSTERDAM DRIVE  
ORLANDO, FL 32832  
Phone: 407.481.8400  
Fax: 407.481.0505  
www.windoorinc.com

SERIES V-100 TILT & TURN VINYL WINDOW  
W/ HOPPER 48" X 108"  
INSTALLATION DETAILS

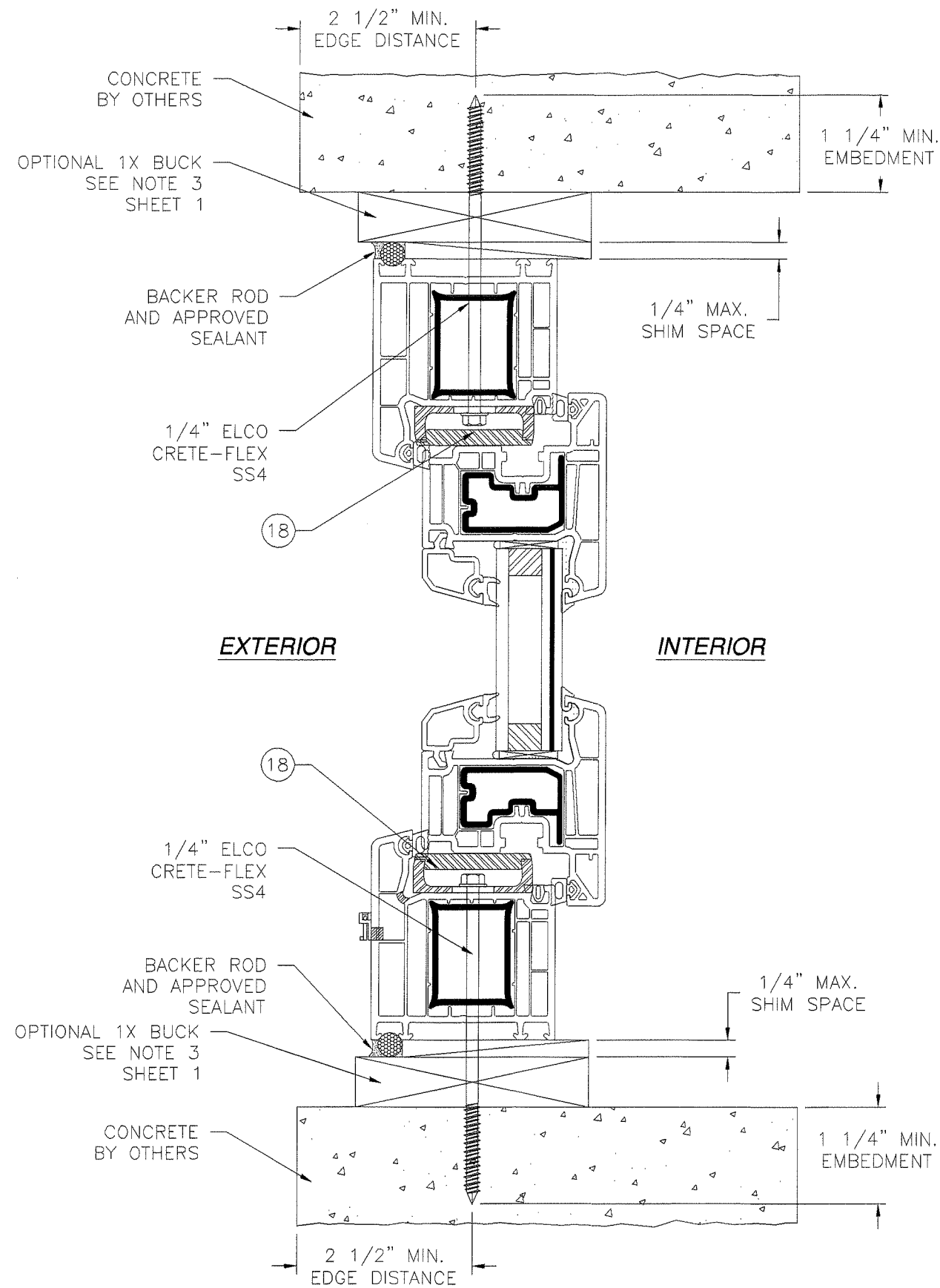
DRAWN: V.L.	DWG. NO. 08-01905	REV C
SCALE NTS	DATE 01/23/2013	SHEET 4 OF 6

SIGNED: 05/22/2018

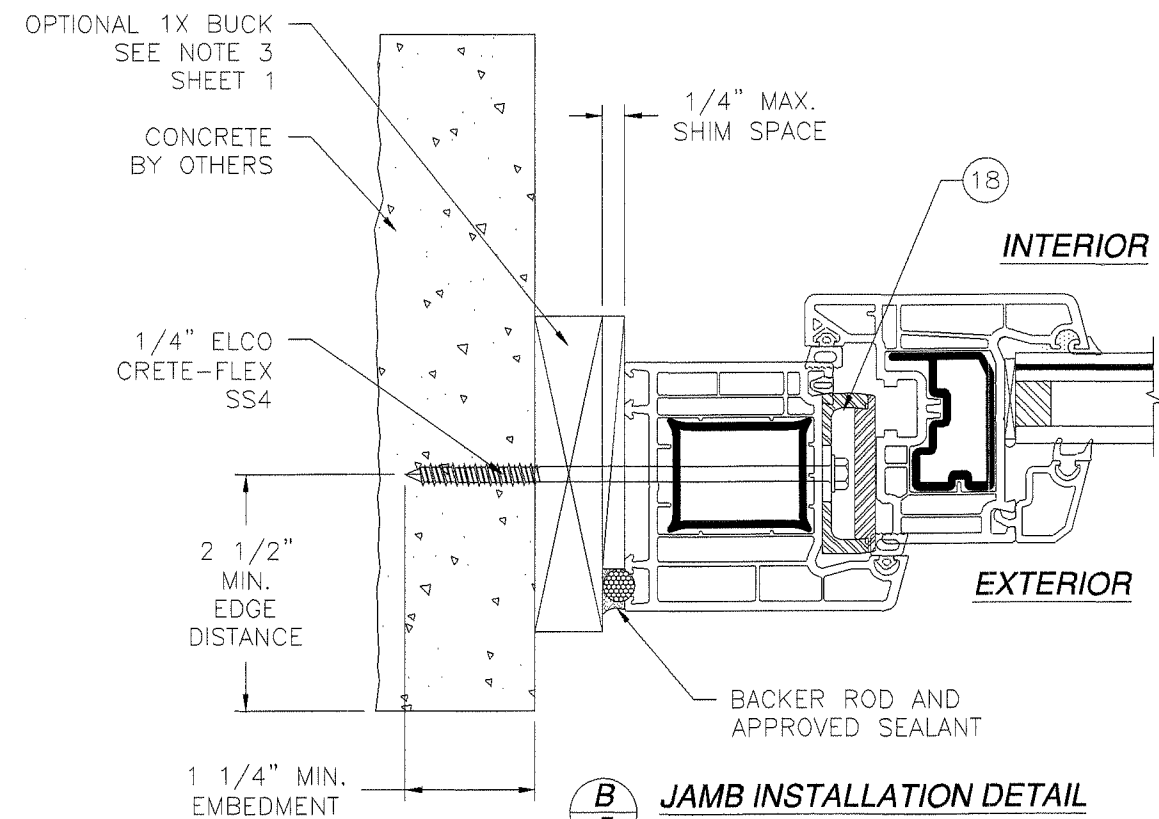




REVISIONS			
REV	DESCRIPTION	DATE	APPROVED
C	REVISED PER NEW REQUIREMENTS	11/30/17	R.L.



**A**  
**5** VERTICAL CROSS SECTION  
CONCRETE/MASONRY INSTALLATION

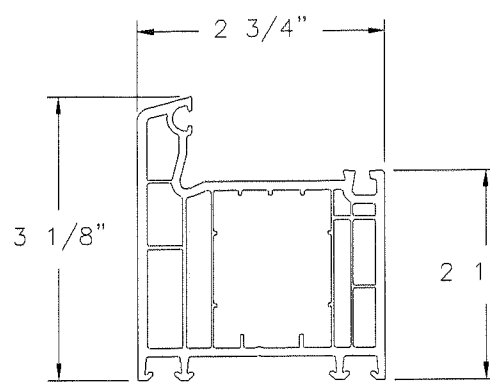
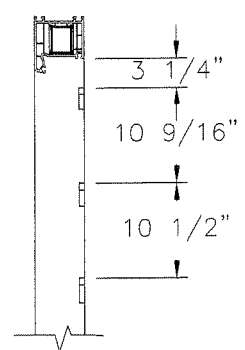
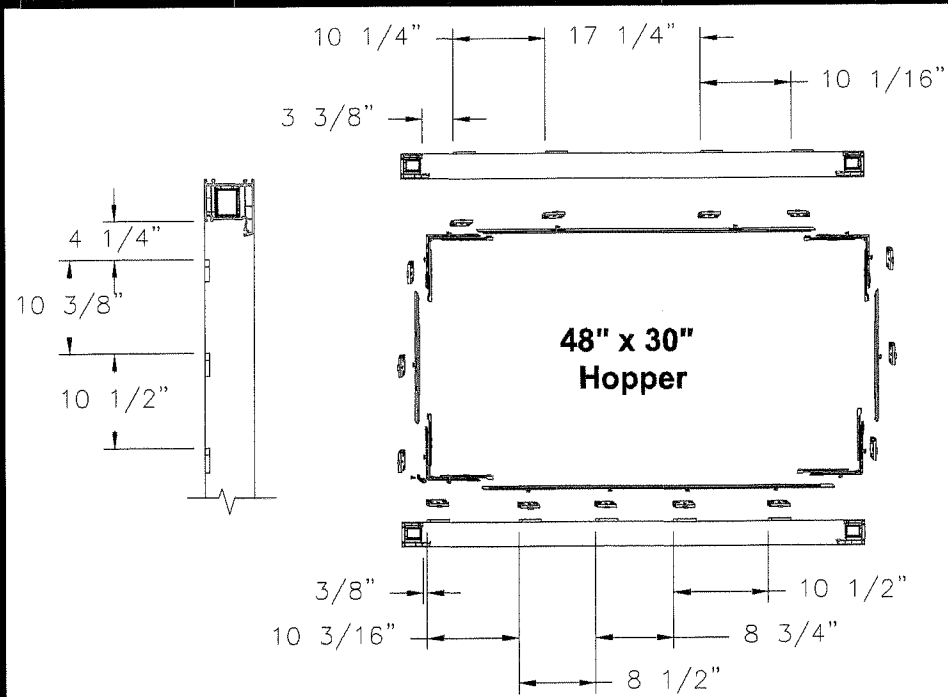


**B**  
**5** JAMB INSTALLATION DETAIL  
CONCRETE/MASONRY INSTALLATION

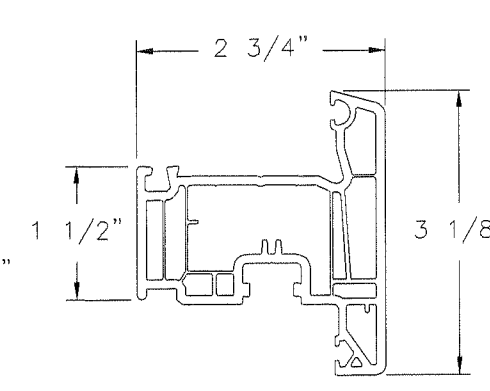
- NOTES:
1. INTERIOR AND EXTERIOR FINISHES, BY OTHERS, NOT SHOWN FOR CLARITY.
  2. PERIMETER AND JOINT SEALANT BY OTHERS TO BE DESIGNED IN ACCORDANCE WITH ASTM E2112

SIGNED: 05/22/2018

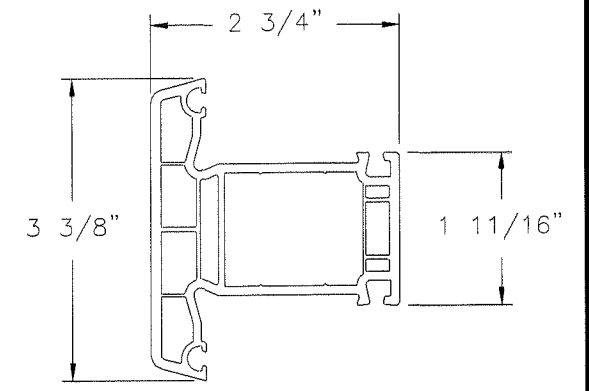
PRODUCT REVISED as complying with the Florida Building Code Acceptance No. <u>17-1219-18</u> Expiration Date <u>09/12/2023</u>  By <u>[Signature]</u> Miami Dade Product Control	<b>WinDoor</b> INCORPORATED 7500 AMSTERDAM DRIVE ORLANDO, FL 32832 Phone: 407.481.8400 Fax: 407.481.0505 www.windoorinc.com	
	SERIES V-100 TILT & TURN VINYL WINDOW W/ HOPPER 48" X 108" INSTALLATION DETAILS	
DRAWN: V.L.	DWG NO. 08-01905	REV C
SCALE NTS	DATE 01/23/2013	SHEET 5 OF 6



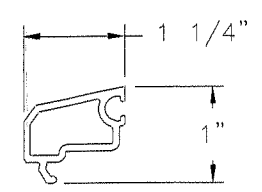
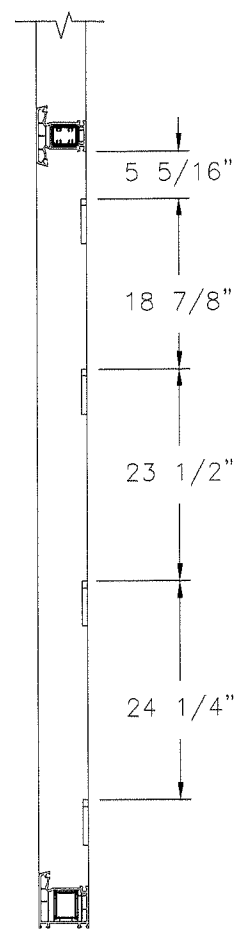
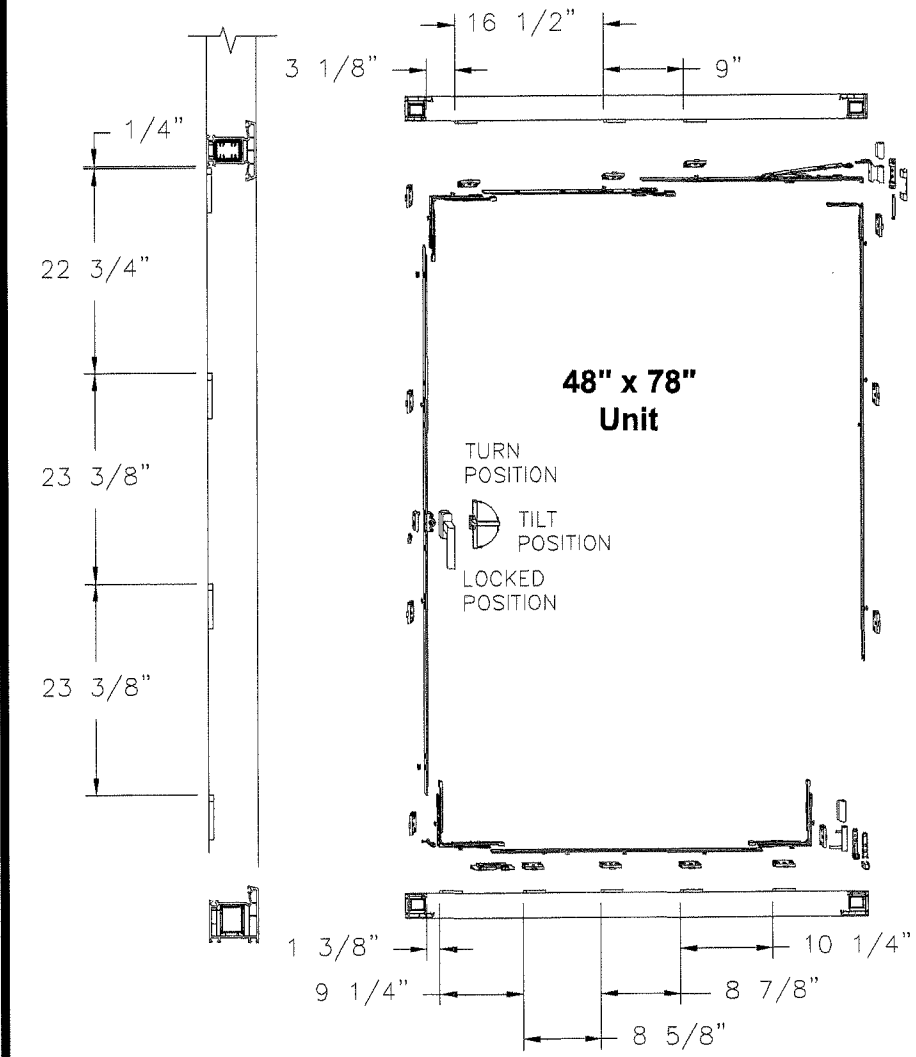
① **FRAME**  
RIGID PVC .110" THICK



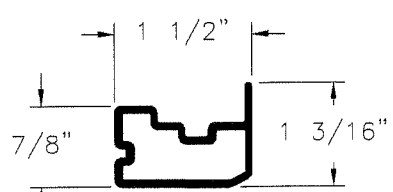
② **SASH**  
RIGID PVC .110" THICK



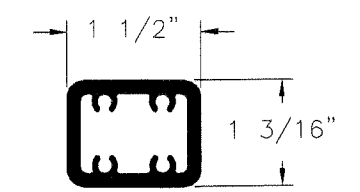
③ **T. MULLION**  
RIGID PVC .110" THICK



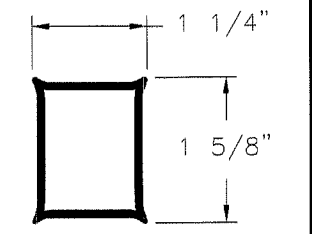
④ **GLAZING BEAD**  
RIGID PVC .075" THICK



⑤ **REINFORCEMENT**  
ALUMINUM 6005-T61 .080" THICK



⑦ **REINFORCEMENT**  
ALUMINUM 6005-T61 .150" THICK



⑥ **REINFORCEMENT**  
ALUMINUM 6005-T61 .080" THICK

REVISIONS			
REV	DESCRIPTION	DATE	APPROVED
C	REVISED PER NEW REQUIREMENTS	11/30/17	R.L.

SIGNED: 05/22/2018

PRODUCT REVISED as complying with the Florida Building Code Acceptance No. <u>17-1219-18</u> Expiration Date <u>09/12/2013</u>  By <u>[Signature]</u> Miami Dade Product Control	<b>WinDoor</b> INCORPORATED 7500 AMSTERDAM DRIVE ORLANDO, FL 32832 Phone: 407.481.8400 Fax: 407.481.0505 www.windowinc.com	
	SERIES V-100 TILT & TURN VINYL WINDOW W/ HOPPER 48" X 108" COMPONENTS	
DRAWN: V.L.	DWG NO. 08-01905	REV C
SCALE NTS	DATE 01/23/2013	SHEET 6 OF 6