



DEPARTMENT OF REGULATORY AND ECONOMIC RESOURCES (RER)
BOARD AND CODE ADMINISTRATION DIVISION

NOTICE OF ACCEPTANCE (NOA)

MIAMI-DADE COUNTY
PRODUCT CONTROL SECTION

11805 SW 26 Street, Room 208
T (786) 315-2590 F (786) 315-2599

www.miamidade.gov/economy

WinDoor, Inc.
7500 Amsterdam Drive
Orlando, FL 32832

SCOPE:

This NOA is being issued under the applicable rules and regulations governing the use of construction materials. The documentation submitted has been reviewed and accepted by Miami-Dade County RER - Product Control Section to be used in Miami Dade County and other areas where allowed by the Authority Having Jurisdiction (AHJ).

This NOA shall not be valid after the expiration date stated below. The Miami-Dade County Product Control Section (In Miami-Dade County) and/or the AHJ (in areas other than Miami-Dade County) reserve the right to have this product or material tested for quality assurance purposes. If this product or material fails to perform in the accepted manner, the manufacturer will incur the expense of such testing and the AHJ may immediately revoke, modify, or suspend the use of such product or material within their jurisdiction. RER reserves the right to revoke this acceptance, if it is determined by Miami-Dade County Product Control Section that this product or material fails to meet the requirements of the applicable building code.

This product is approved as described herein, and has been designed to comply with the Florida Building Code, including the High Velocity Hurricane Zone.-

DESCRIPTION: Series "4000 (PVB)" Aluminum Single Hung Window - L.M.I.

APPROVAL DOCUMENT: Drawing No. **08-01832**, titled "4000 Aluminum Single Hung Window Equal Leg and Flange – LMI & SMF", sheets 1 through 10 of 10, dated 12/11/12, with revision **E** dated 11/29/17, prepared by manufacturer, signed and sealed by Luis R. Lomas, P.E., bearing the Miami-Dade County Product Control Revision stamp with the Notice of Acceptance number and expiration date by the Miami-Dade County Product Control Section.

MISSILE IMPACT RATING: Large and Small Missile Impact Resistant

LABELING: Each unit shall bear a permanent label with the manufacturer's name or logo, city, state, model/series, and following statement: "Miami-Dade County Product Control Approved", unless otherwise noted herein.

RENEWAL of this NOA shall be considered after a renewal application has been filed and there has been no change in the applicable building code negatively affecting the performance of this product.

TERMINATION of this NOA will occur after the expiration date or if there has been a revision or change in the materials, use, and/or manufacture of the product or process. Misuse of this NOA as an endorsement of any product, for sales, advertising or any other purposes shall automatically terminate this NOA. Failure to comply with any section of this NOA shall be cause for termination and removal of NOA.

ADVERTISEMENT: The NOA number preceded by the words Miami-Dade County, Florida, and followed by the expiration date may be displayed in advertising literature. If any portion of the NOA is displayed, then it shall be done in its entirety.

INSPECTION: A copy of this entire NOA shall be provided to the user by the manufacturer or its distributors and shall be available for inspection at the job site at the request of the Building Official.

This NOA **revises and renews** NOA# **15-0723.07** and consists of this page 1 and evidence pages E-1 and E-2, as well as approval document mentioned above.

The submitted documentation was reviewed by **Sifang Zhao, P.E.**



S. Z.
03/01/2018

NOA No. 17-1219.29
Expiration Date: May 16, 2023
Approval Date: March 08, 2018
Page 1

NOTICE OF ACCEPTANCE: EVIDENCE SUBMITTED

1. EVIDENCE SUBMITTED UNDER PREVIOUS NOAs

A. DRAWINGS

1. Manufacturer's die drawings and sections. *(Submitted under NOA No. 13-0102.04)*
2. Drawing No. **08-01832**, titled "4000 Aluminum Single Hung Window Equal Leg and Flange - LMI & SMI", sheets 1 through 10 of 10, dated 12/11/12, with revision **D** dated 03/03/16, prepared by manufacturer, signed and sealed by Luis R. Lomas, P.E.

B. TESTS

1. Test reports on:
 - 1) Air Infiltration Test, per FBC, TAS 202-94
 - 2) Uniform Static Air Pressure Test, Loading per FBC, TAS 202-94
 - 3) Water Resistance Test, per FBC, TAS 202-94
 - 4) Large Missile Impact Test per FBC, TAS 201-94
 - 5) Cyclic Wind Pressure Loading per FBC, TAS 203-94
 - 6) Forced Entry Test, per FBC 2411.3.2.1, and TAS 202-94along with marked-up drawings and installation diagram of Aluminum single hung window, prepared by National Certified Testing Laboratories, Inc., Test Report No. **NCTL-210-3744-7**, dated 08/29/12, signed and sealed by Gerald J. Ferrara, P.E. *(Submitted under NOA No. 13-0102.04)*

C. CALCULATIONS

1. Anchor verification calculations and structural analysis, complying with **FBC-5th Edition (2014)**, dated 07/08/15, prepared by manufacturer, signed and sealed by Luis R. Lomas, P.E.
2. Glazing complies with **ASTM E1300-04**

D. QUALITY ASSURANCE

1. Miami-Dade Department of Regulatory and Economic Resources (RER).

E. MATERIAL CERTIFICATIONS

1. Notice of Acceptance No. **14-0916.10** issued to **Kuraray America, Inc.** for their "Butacite® PVB Glass Interlayer" dated 04/25/15, expiring on 12/11/16.

F. STATEMENTS

1. Statement letter of conformance, complying with **FBC-5th Edition (2014)**, and of no financial interest, dated June 8, 2015, issued by manufacturer, signed and sealed by Luis R. Lomas, P.E.

G. OTHERS

1. NOA No. **13-0102.04**, issued to WinDoor, Inc. for their Series "4000" Aluminum Single Hung Window - L.M.I. approved on 05/16/13 and expiring on 05/16/18.



Sifang Zhao, P.E.
Product Control Examiner
NOA No. 17-1219.29
Expiration Date: May 16, 2023
Approval Date: March 08, 2018

NOTICE OF ACCEPTANCE: EVIDENCE SUBMITTED

2. NEW EVIDENCE SUBMITTED

A. DRAWINGS

1. Drawing No. **08-01832**, titled “4000 Aluminum Single Hung Window Equal Leg and Flange - LMI & SMI”, sheets 1 through 10 of 10, dated 12/11/12, with revision E dated 11/29/17, prepared by manufacturer, signed and sealed by Luis R. Lomas, P.E.

B. TESTS

1. None

C. CALCULATIONS

1. Anchor verification, complying with **FBC 6th edition (2017)**, dated 11/29/17 prepared, signed and sealed by Luis R. Lomas, P.E.

D. QUALITY ASSURANCE

1. Miami-Dade Department of Regulatory and Economic Resources (RER).

E. MATERIAL CERTIFICATIONS

1. Notice of Acceptance No. **17-1114.14** issued to **Kuraray America, Inc.** for their “**Trosifol® Ultraclear, Clear and Color PVB Glass Interlayers**” dated 01/18/18, expiring on 07/08/19.

F. STATEMENTS

1. Statement letter of conformance, complying with **FBC 6th Edition (2017)**, and of no financial interest, dated 11/29/2017, issued, signed and sealed by Luis R. Lomas, P.E.

G. OTHERS

1. NOA No. **15-0723.07**, issued to WinDoor, Inc. for their Series “4000” Aluminum Single Hung Window - L.M.I. approved on 04/07/16 and expiring on 05/16/18.



Sifang Zhao, P.E.

Product Control Examiner

NOA No. 17-1219.29

Expiration Date: May 16, 2023

Approval Date: March 08, 2018

| REVISIONS | | | |
|-----------|------------------------------|----------|----------|
| REV | DESCRIPTION | DATE | APPROVED |
| E | REVISED PER NEW REQUIREMENTS | 11/29/17 | R.L. |

NOTES:

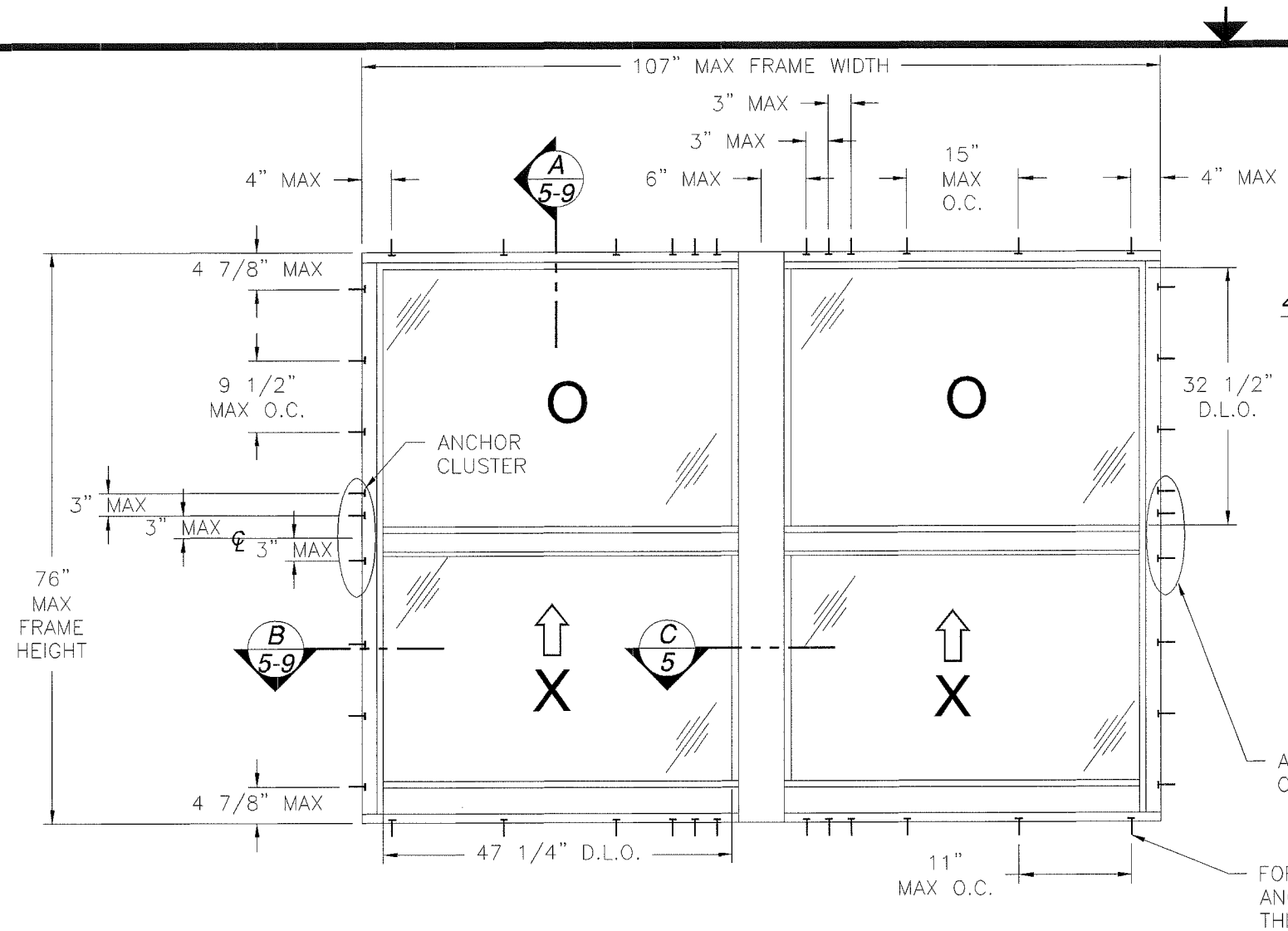
- 1) THE PRODUCT SHOWN HEREIN IS DESIGNED AND MANUFACTURED TO COMPLY WITH REQUIREMENTS OF THE FLORIDA BUILDING CODE 6TH EDITION (2017) INCLUDING THE HVHZ.
- 2) WOOD FRAMING AND MASONRY OPENING TO BE DESIGNED AND ANCHORED TO PROPERLY TRANSFER ALL LOADS TO STRUCTURE. FRAMING AND MASONRY OPENING IS THE RESPONSIBILITY OF THE ARCHITECT OR ENGINEER OF RECORD.
- 3) 1X BUCK OVER MASONRY/CONCRETE IS OPTIONAL. WHERE 1X BUCK IS NOT USED DISSIMILAR MATERIALS MUST BE SEPARATED WITH APPROVED COATING OR MEMBRANE. SELECTION OF COATING OR MEMBRANE IS THE RESPONSIBILITY OF THE ARCHITECT OR ENGINEER OF RECORD.
- 4) ALLOWABLE STRESS INCREASE OF 1/3 WAS NOT USED IN THE DESIGN OF THE PRODUCT SHOWN HEREIN. WIND LOAD DURATION FACTOR Cd=1.6 WAS USED FOR WOOD ANCHOR CALCULATIONS.
- 5) FRAME MATERIAL: ALUMINUM 6063-T6.
- 6) UNITS MUST BE GLAZED PER ASTM E1300-04 SEE SHEET 2 FOR GLAZING DETAILS.
- 7) APPROVED IMPACT PROTECTIVE SYSTEM IS NOT REQUIRED FOR THIS PRODUCT IN WIND BORNE DEBRIS REGIONS.
- 8) SHIM AS REQUIRED AT EACH INSTALLATION ANCHOR WITH LOAD BEARING SHIM. SHIM WHERE SPACE OF 1/16" OR GREATER OCCURS. MAXIMUM ALLOWABLE SHIM STACK TO BE 1/4".
- 9) FOR ANCHORING INTO MASONRY/CONCRETE USE 1/4" ITW TAPCON WITH SUFFICIENT LENGTH TO ACHIEVE A 1 1/4" MINIMUM EMBEDMENT INTO SUBSTRATE WITH 2 1/2" MINIMUM EDGE DISTANCE. LOCATE ANCHORS AS SHOWN IN ELEVATIONS AND INSTALLATION DETAILS.
- 10) FOR ANCHORING INTO WOOD FRAMING OR 2X BUCK USE #14 WOOD SCREWS WITH SUFFICIENT LENGTH TO ACHIEVE A 1 3/4" MINIMUM EMBEDMENT INTO SUBSTRATE WITH 1" MINIMUM EDGE DISTANCE. LOCATE ANCHORS AS SHOWN IN ELEVATIONS AND INSTALLATION DETAILS.
- 11) FOR ANCHORING INTO METAL STRUCTURE USE #14 SMS OR SELF DRILLING SCREWS MINIMUM GRADE 5 WITH SUFFICIENT LENGTH TO ACHIEVE 3 THREADS MINIMUM BEYOND STRUCTURE INTERIOR WALL. LOCATE ANCHORS AS SHOWN IN ELEVATIONS AND INSTALLATION DETAILS.
- 12) ALL FASTENERS TO BE CORROSION RESISTANT.
- 13) INSTALLATION ANCHORS SHALL BE INSTALLED IN ACCORDANCE WITH ANCHOR MANUFACTURER'S INSTALLATION INSTRUCTIONS, AND ANCHORS SHALL NOT BE USED IN SUBSTRATES WITH STRENGTHS LESS THAN THE MINIMUM STRENGTH SPECIFIED BELOW:
 - A. WOOD - MINIMUM SPECIFIC GRAVITY OF G=0.42
 - B. CONCRETE - MINIMUM COMPRESSIVE STRENGTH OF 3,192 PSI.
 - C. MASONRY - STRENGTH CONFORMANCE TO ASTM C-90, GRADE N, TYPE 1 (OR GREATER).
 - D. METAL STRUCTURE: STEEL 16GA, 33KSI OR ALUMINUM 6063-T5 1/8" THICK MINIMUM

| TABLE OF CONTENTS | |
|-------------------|----------------------|
| SHEET NO. | DESCRIPTION |
| 1 | NOTES |
| 2 - 4 | ELEVATIONS |
| 5 | CROSS SECTIONS |
| 6 - 9 | INSTALLATION DETAILS |
| 10 | COMPONENTS |

| | | |
|--|---|---|
| PRODUCT REVISED as complying with the Florida Building Code Acceptance No <u>17-1219.29</u> Expiration Date <u>05/16/2023</u> By <u>[Signature]</u> Miami Dade Product Control | WinDoor INCORPORATED 7500 AMSTERDAM DRIVE ORLANDO, FL 32832 Phone: 407.481.8400 Fax: 407.481.0505 www.windoorinc.com |  |
| | 4000 ALUMINUM SINGLE HUNG WINDOW EQUAL LEG AND FLANGE - LMI & SMI NOTES | |
| DRAWN: V.L. | DWG NO. 08-01832 | REV E |
| SCALE NTS | DATE 12/11/12 | SHEET 1 OF 10 |

SIGNED: 02/19/2018

| REVISIONS | | | |
|-----------|------------------------------|----------|----------|
| REV | DESCRIPTION | DATE | APPROVED |
| E | REVISED PER NEW REQUIREMENTS | 11/29/17 | R.L. |



**4000 ALUMINUM EQUAL LEG AND FLANGE
SINGLE HUNG TWIN WINDOW
EXTERIOR VIEW**

FOR METAL & MASONRY/CONCRETE INSTALLATION

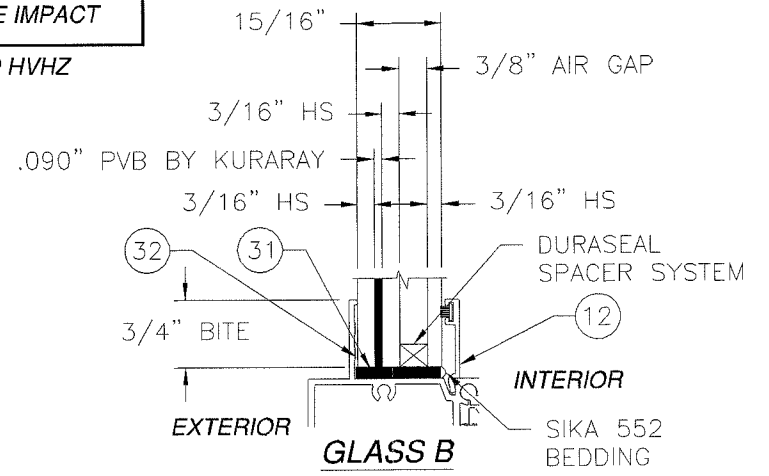
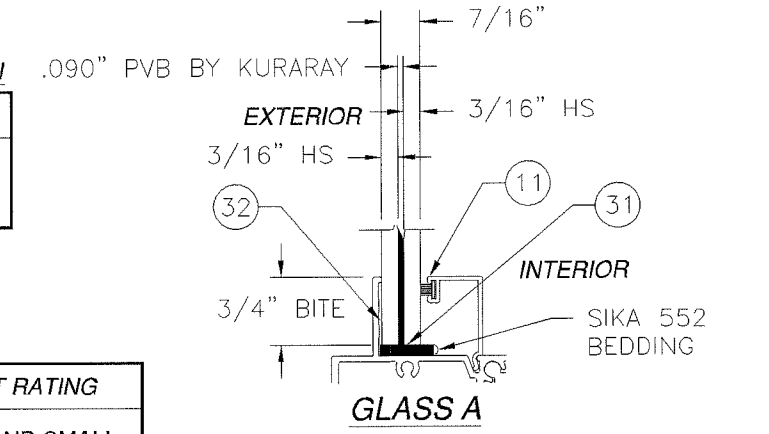
| DESIGN PRESSURE RATING | IMPACT RATING |
|------------------------|--------------------------------|
| ±85.0PSF | LARGE AND SMALL MISSILE IMPACT |

MISSILE LEVEL D, WIND ZONE 4 AND HVHZ

FOR WOOD INSTALLATION

| DESIGN PRESSURE RATING | IMPACT RATING |
|------------------------|--------------------------------|
| ±58.1PSF | LARGE AND SMALL MISSILE IMPACT |

MISSILE LEVEL D, WIND ZONE 4 AND HVHZ



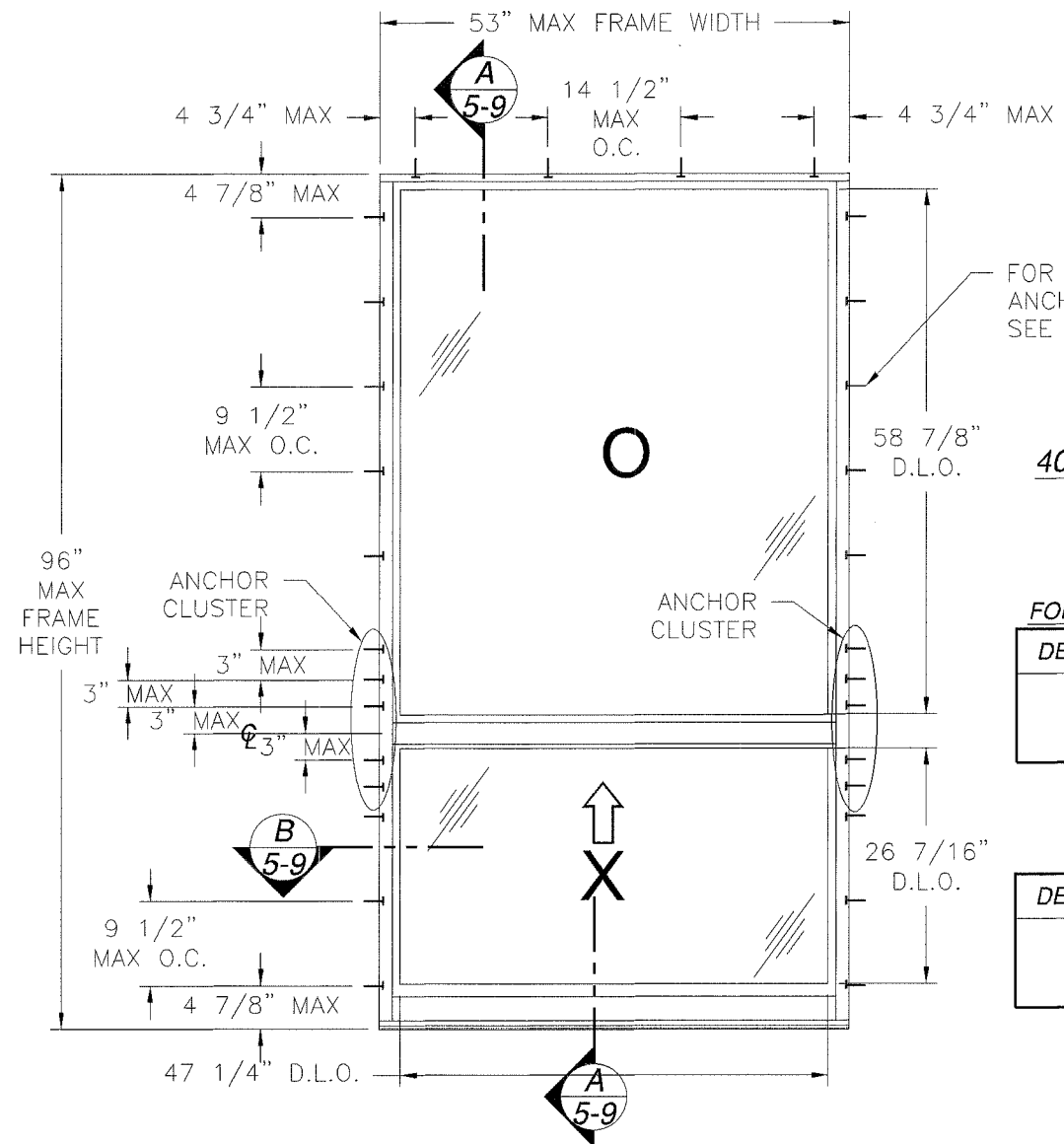
ANCHOR CLUSTER
FOR NUMBER OF ANCHORS REQUIRED SEE CHART THIS SHEET.

| Frame Height (in) | Number of anchor locations required | | | | | | | | | | | | | | | | | | | |
|-------------------|-------------------------------------|------|--------------|-----------------|-------|------|--------------|-----------------|-------|------|--------------|-----------------|-------|------|--------------|-----------------|--------|------|--------------|-----------------|
| | Frame Width (in) | | | | | | | | | | | | | | | | | | | |
| | 60.00 | | | | 72.00 | | | | 84.00 | | | | 96.00 | | | | 107.00 | | | |
| | H&S | Jamb | Meeting rail | Mullion cluster | H&S | Jamb | Meeting rail | Mullion cluster | H&S | Jamb | Meeting rail | Mullion cluster | H&S | Jamb | Meeting rail | Mullion cluster | H&S | Jamb | Meeting rail | Mullion cluster |
| 36.00 | 2 | 1 | 1 | 2 | 2 | 1 | 1 | 2 | 3 | 1 | 2 | 2 | 3 | 1 | 2 | 3 | 3 | 1 | 2 | 3 |
| 42.00 | 2 | 1 | 1 | 2 | 2 | 1 | 2 | 2 | 3 | 1 | 2 | 3 | 3 | 1 | 2 | 3 | 3 | 1 | 2 | 3 |
| 48.00 | 2 | 1 | 1 | 2 | 2 | 1 | 2 | 3 | 3 | 1 | 2 | 3 | 3 | 1 | 2 | 3 | 3 | 1 | 2 | 4 |
| 54.00 | 2 | 1 | 1 | 3 | 2 | 1 | 2 | 3 | 3 | 1 | 2 | 3 | 3 | 1 | 2 | 4 | 3 | 1 | 3 | 4 |
| 60.00 | 2 | 1 | 1 | 3 | 2 | 1 | 2 | 4 | 3 | 1 | 2 | 4 | 3 | 1 | 2 | 4 | 3 | 1 | 3 | 5 |
| 66.00 | 2 | 2 | 1 | 4 | 2 | 2 | 2 | 4 | 3 | 2 | 2 | 4 | 3 | 2 | 3 | 5 | 3 | 2 | 3 | 5 |
| 72.00 | 2 | 2 | 1 | 4 | 2 | 2 | 2 | 4 | 3 | 2 | 2 | 5 | 3 | 2 | 3 | 5 | 3 | 2 | 3 | 6 |
| 76.00 | 2 | 2 | 1 | 4 | 2 | 2 | 2 | 5 | 3 | 2 | 2 | 5 | 3 | 2 | 3 | 6 | 3 | 2 | 3 | 6 |

SIGNED: 02/19/2018

| | | | |
|---|--|-----------------------------|--|
| WinDoor INCORPORATED 7500 AMSTERDAM DRIVE ORLANDO, FL 32832 Phone: 407.481.8400 Fax: 407.481.0505 www.windoorinc.com | 4000 ALUMINUM SINGLE HUNG WINDOW EQUAL LEG AND FLANGE - LMI & SMI ELEVATIONS & GLAZING DETAILS | | |
| | PRODUCT REVISED as complying with the Florida Building Code Acceptance No 17-1219-29 Expiration Date 05/16/2023 By <i>[Signature]</i> Miami Dade Product Control | DRAWN: V.L. SCALE NTS | |

| REVISIONS | | | |
|-----------|------------------------------|----------|----------|
| REV | DESCRIPTION | DATE | APPROVED |
| E | REVISED PER NEW REQUIREMENTS | 11/29/17 | R.L. |



FOR NUMBER OF ANCHORS REQUIRED SEE CHART THIS SHEET.

4000 ALUMINUM EQUAL LEG AND FLANGE SINGLE HUNG ORIEL WINDOW
EXTERIOR VIEW

FOR METAL & MASONRY/CONCRETE INSTALLATION

| DESIGN PRESSURE RATING | IMPACT RATING |
|------------------------|--------------------------------|
| ±90.0PSF | LARGE AND SMALL MISSILE IMPACT |

MISSILE LEVEL D, WIND ZONE 4 AND HVHZ

FOR WOOD INSTALLATION

| DESIGN PRESSURE RATING | IMPACT RATING |
|------------------------|--------------------------------|
| ±60.1PSF | LARGE AND SMALL MISSILE IMPACT |

MISSILE LEVEL D, WIND ZONE 4 AND HVHZ

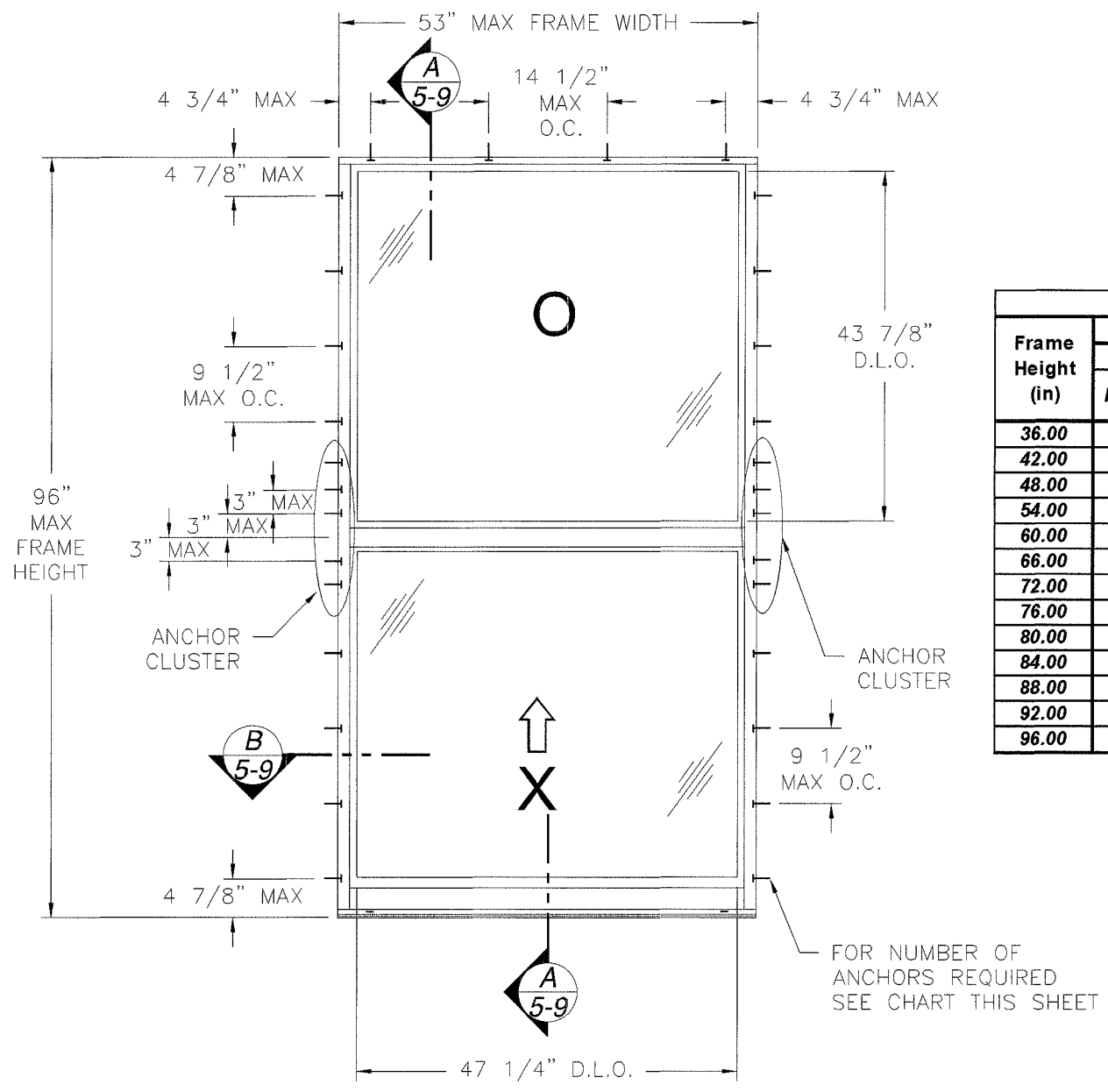
| Number of anchor locations required | | | | | | | | | | | | | | | | | | | | | | |
|-------------------------------------|------------------------|-----------------------|------------------|------------|--------------|------------|-------|------------|--------------|------------|-------|------------|--------------|------------|-------|------------|--------------|------------|-------|------------|--------------|------------|
| Frame Height (in) | Fixed lite height (in) | Vent lite height (in) | Frame Width (in) | | | | | | | | | | | | | | | | | | | |
| | | | 30.00 | | | | 36.00 | | | | 42.00 | | | | 48.00 | | | | 53.00 | | | |
| | | | Head | Jamb upper | Meeting rail | Jamb lower | Head | Jamb upper | Meeting rail | Jamb lower | Head | Jamb upper | Meeting rail | Jamb lower | Head | Jamb upper | Meeting rail | Jamb lower | Head | Jamb upper | Meeting rail | Jamb lower |
| 78.00 | 42.00 | 36.00 | 3 | 2 | 2 | 2 | 3 | 2 | 3 | 2 | 3 | 2 | 3 | 2 | 4 | 2 | 4 | 2 | 4 | 2 | 4 | 3 |
| 84.00 | 48.00 | 36.00 | 3 | 3 | 2 | 2 | 3 | 3 | 3 | 2 | 3 | 3 | 3 | 2 | 4 | 3 | 4 | 2 | 4 | 3 | 4 | 3 |
| 90.00 | 54.00 | 36.00 | 3 | 3 | 2 | 2 | 3 | 3 | 3 | 2 | 3 | 3 | 3 | 2 | 4 | 4 | 4 | 2 | 4 | 4 | 4 | 3 |
| 96.00 | 60.00 | 36.00 | 3 | 3 | 2 | 2 | 3 | 4 | 3 | 2 | 3 | 4 | 3 | 2 | 4 | 4 | 4 | 2 | 4 | 4 | 4 | 3 |

NOTE:
FLANGE UNIT DIMENSIONS : 54" X 97"
TIP TO TIP

SIGNED: 02/19/2018

| | | | |
|---|---|----------------------|-------------------------|
| <p>PRODUCT REVISED as complying with the Florida Building Code Acceptance No <u>17-1219-29</u> Expiration Date <u>05/16/2023</u></p> <p>By <u>[Signature]</u> Miami Dade Product Control</p> | <p>WinDoor INCORPORATED</p> <p>7500 AMSTERDAM DRIVE ORLANDO, FL 32832 Phone: 407.481.8400 Fax: 407.481.0505 www.windoorinc.com</p> | | |
| | <p>4000 ALUMINUM SINGLE HUNG WINDOW EQUAL LEG AND FLANGE – LMI & SMI ELEVATIONS & GLAZING DETAILS</p> | | |
| | <p>DRAWN: V.L.</p> | | <p>DWG NO. 08-01832</p> |
| <p>SCALE NTS</p> | <p>DATE 12/11/12</p> | <p>SHEET 3 OF 10</p> | |

| REVISIONS | | | |
|-----------|------------------------------|----------|----------|
| REV | DESCRIPTION | DATE | APPROVED |
| E | REVISED PER NEW REQUIREMENTS | 11/29/17 | R.L. |



| Frame Height (in) | Number of anchor locations required | | | | | | | | | | | | | | | | | | | |
|-------------------|-------------------------------------|------------|---------|------------|-------|------------|---------|------------|-------|------------|---------|------------|-------|------------|---------|------------|-------|------------|---------|------------|
| | Frame Width (in) | | | | | | | | | | | | | | | | | | | |
| | 30.00 | | | | 36.00 | | | | 42.00 | | | | 48.00 | | | | 53.00 | | | |
| | Head | Jamb upper | Cluster | Jamb lower | Head | Jamb upper | Cluster | Jamb lower | Head | Jamb upper | Cluster | Jamb lower | Head | Jamb upper | Cluster | Jamb lower | Head | Jamb upper | Cluster | Jamb lower |
| 36.00 | 3 | 1 | 1 | 1 | 3 | 1 | 2 | 1 | 4 | 1 | 2 | 1 | 4 | 1 | 2 | 1 | 4 | 1 | 2 | 2 |
| 42.00 | 3 | 1 | 2 | 1 | 3 | 1 | 2 | 1 | 4 | 1 | 2 | 1 | 4 | 1 | 2 | 1 | 4 | 1 | 3 | 2 |
| 48.00 | 3 | 1 | 2 | 1 | 3 | 1 | 2 | 1 | 4 | 1 | 2 | 2 | 4 | 1 | 3 | 2 | 4 | 1 | 3 | 2 |
| 54.00 | 3 | 2 | 2 | 2 | 3 | 2 | 2 | 2 | 4 | 2 | 2 | 2 | 4 | 2 | 3 | 2 | 4 | 2 | 3 | 2 |
| 60.00 | 3 | 2 | 2 | 2 | 3 | 2 | 2 | 2 | 4 | 2 | 3 | 2 | 4 | 2 | 3 | 2 | 4 | 2 | 3 | 2 |
| 66.00 | 3 | 2 | 2 | 2 | 3 | 2 | 2 | 2 | 4 | 2 | 3 | 2 | 4 | 2 | 3 | 2 | 4 | 2 | 4 | 2 |
| 72.00 | 3 | 3 | 2 | 3 | 3 | 3 | 3 | 3 | 4 | 3 | 3 | 3 | 4 | 3 | 3 | 3 | 4 | 3 | 4 | 3 |
| 76.00 | 3 | 3 | 2 | 3 | 3 | 3 | 3 | 3 | 4 | 3 | 3 | 3 | 4 | 3 | 4 | 3 | 4 | 3 | 4 | 3 |
| 80.00 | 3 | 3 | 2 | 3 | 3 | 3 | 3 | 3 | 4 | 3 | 3 | 3 | 4 | 3 | 4 | 3 | 4 | 3 | 4 | 3 |
| 84.00 | 3 | 3 | 2 | 3 | 3 | 3 | 3 | 3 | 4 | 3 | 3 | 3 | 4 | 3 | 4 | 3 | 4 | 3 | 4 | 3 |
| 88.00 | 3 | 3 | 2 | 3 | 3 | 3 | 3 | 3 | 4 | 3 | 3 | 3 | 4 | 3 | 4 | 3 | 4 | 3 | 4 | 3 |
| 92.00 | 3 | 3 | 2 | 3 | 3 | 3 | 3 | 3 | 4 | 3 | 3 | 3 | 4 | 3 | 4 | 3 | 4 | 3 | 5 | 3 |
| 96.00 | 3 | 4 | 2 | 4 | 3 | 4 | 3 | 4 | 4 | 4 | 4 | 4 | 4 | 4 | 4 | 4 | 4 | 4 | 5 | 4 |

4000 ALUMINUM EQUAL LEG AND FLANGE SINGLE HUNG WINDOW EXTERIOR VIEW

FOR METAL AND MASONRY/CONCRETE INSTALLATION

| DESIGN PRESSURE RATING | IMPACT RATING |
|------------------------|--------------------------------|
| ±90.0PSF | LARGE AND SMALL MISSILE IMPACT |

MISSILE LEVEL D, WIND ZONE 4 AND HVHZ

FOR WOOD INSTALLATION

| DESIGN PRESSURE RATING | IMPACT RATING |
|------------------------|--------------------------------|
| ±67.8PSF | LARGE AND SMALL MISSILE IMPACT |

MISSILE LEVEL D, WIND ZONE 4 AND HVHZ

FOR NUMBER OF ANCHORS REQUIRED SEE CHART THIS SHEET

NOTE: FLANGE UNIT DIMENSIONS : 54" X 97" TIP TO TIP

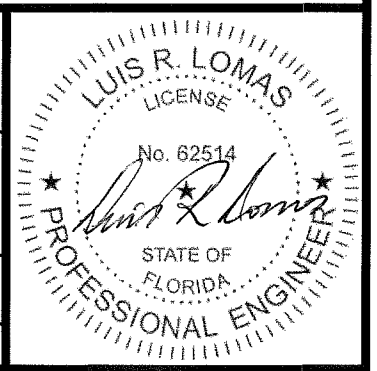
PRODUCT REVISED as complying with the Florida Building Code Acceptance No. 17-1219.29 Expiration Date 05/16/2023 By *CS* Miami Dade Product Control

WinDoor INCORPORATED 7500 AMSTERDAM DRIVE ORLANDO, FL 32832
 Phone: 407.481.8400 Fax: 407.481.0505 www.windoorinc.com

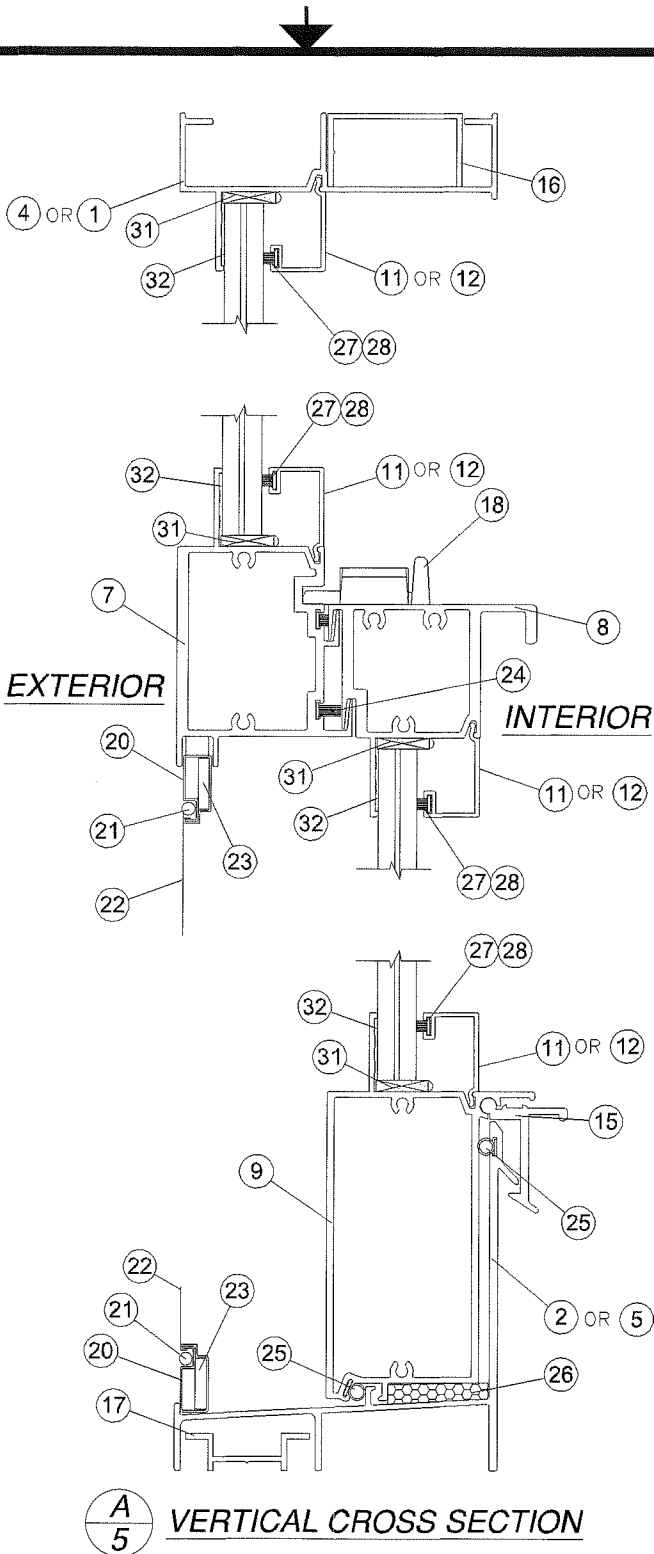
4000 ALUMINUM SINGLE HUNG WINDOW EQUAL LEG AND FLANGE - LMI & SMI ELEVATIONS & GLAZING DETAILS

DRAWN: V.L. DWG NO. 08-01832 REV E
 SCALE NTS DATE 12/11/12 SHEET 4 OF 10

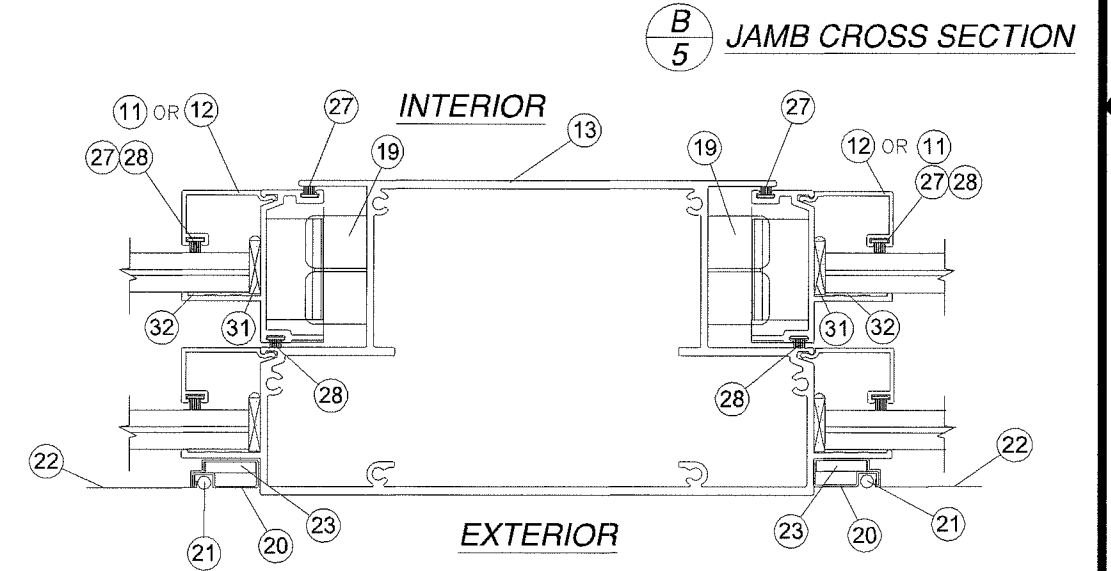
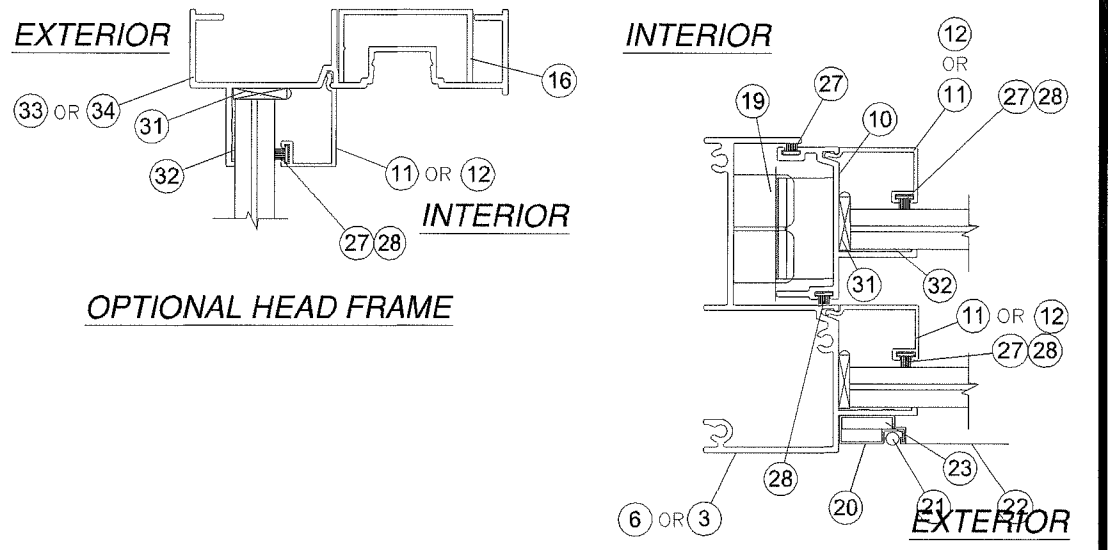
SIGNED: 02/19/2018



| PARTS LIST | | | | |
|------------|-----------------|----------------------------------|------------------|------------------|
| NO. | PART NUMBER | DESCRIPTION | MANUFACTURER | MATERIAL |
| 1 | FS-06612 | FRAME HEAD EQUAL LEG | KEYMARK | ALUMINUM 6063-T6 |
| 2 | FS-06613 | FRAME SILL EQUAL LEG | KEYMARK | ALUMINUM 6063-T6 |
| 3 | FS-06614 | FRAME JAMB EQUAL LEG | KEYMARK | ALUMINUM 6063-T6 |
| 4 | FS-06661 | FRAME HEAD FLANGE | KEYMARK | ALUMINUM 6063-T6 |
| 5 | FS-06662 | FRAME SILL FLANGE | KEYMARK | ALUMINUM 6063-T6 |
| 6 | FS-06663 | FRAME JAMB FLANGE | KEYMARK | ALUMINUM 6063-T6 |
| 7 | FH-06615 | FIXED MEETING RAIL | KEYMARK | ALUMINUM 6063-T6 |
| 8 | FH-06616 | MEETING RAIL | KEYMARK | ALUMINUM 6063-T6 |
| 9 | FH-06617 | LIFT RAIL | KEYMARK | ALUMINUM 6063-T6 |
| 10 | FS-06618 | SASH JAMB | KEYMARK | ALUMINUM 6063-T6 |
| 11 | FS-06667 | 7/16" GLASS STOP | KEYMARK | ALUMINUM 6063-T6 |
| 12 | FS-06619 | 1" GLASS STOP | KEYMARK | ALUMINUM 6063-T6 |
| 13 | FH-06668 | VERTICAL IMPOST | KEYMARK | ALUMINUM 6063-T6 |
| 14 | | NOT USED | | |
| 15 | FE-5031 | SILL SNAP LOCK | KEYMARK | ALUMINUM 6063-T6 |
| 16 | FS-06671 | HEAD FILLER | KEYMARK | ALUMINUM 6063-T6 |
| 17 | FS-06664 | SILL RETAINER | KEYMARK | ALUMINUM 6063-T6 |
| 18 | H4000-BL-SL202 | SASH LOCK | WINDOOR | ALUMINUM 6063-T6 |
| 19 | | BLOCK AND TACKLE BALANCE | WINDOOR | ALUMINUM 6063-T6 |
| 20 | S4000-XX-150 | SCREEN HEAD, JAMB AND SILL | WINDOOR | ALUMINUM 6063-T6 |
| 21 | S10010-BL-2200R | SCREEN SPLINE | WINDOOR | ALUMINUM 6063-T6 |
| 22 | SBV-XX-0600Z | SCREEN CLOTH | WINDOOR | ALUMINUM 6065-T6 |
| 23 | 54080-ML-FB11 | SCREEN CORNER KEY | WINDOOR | ALUMINUM 6063-T6 |
| 24 | 122003 | .187X.350 FINSEAL | ULTRAFAB | |
| 25 | W4000-BL-20218 | .187X.300 WEATHERSTRIP | FRANK LOWE | PROLON |
| 26 | W4000-BL-SCE42 | 1.300X1.750X.375 CLOSED CELL PAD | TEAM PLASTICS | FOAM |
| 27 | 122001 | .187X.220 FINSEAL | ULTRAFAB | |
| 28 | 122002 | .187X.240 FINSEAL | ULTRAFAB | |
| 29 | 131096 | #6X3/4" SWEEP ATTACHMENT SCREW | | STEEL GRADE 5 |
| 30 | 131014 | #8X1" RAIL ATTACHMENT SCREW | | STEEL GRADE 5 |
| 31 | 121104 | SETTING BLOCK | FRANK LOWE | 85 DURO SHORE A |
| 32 | C4000-91-351AX | PURFECT GLAZE HOT MELT COMPOUND | DHENKEL AMERICAS | |
| 33 | FS-07419 | FRAME EQUAL LEG W/ CHANNEL | KEYMARK | ALUMINUM 6063-T6 |
| 34 | FS-07418 | FRAME FLANGE W/ CHANNEL | KEYMARK | ALUMINUM 6063-T6 |

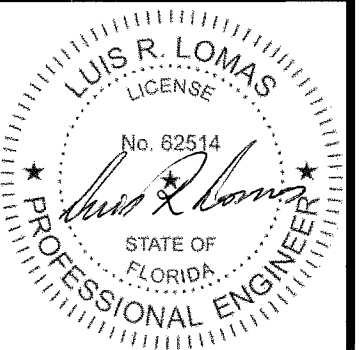


| REVISIONS | | | |
|-----------|------------------------------|----------|----------|
| REV | DESCRIPTION | DATE | APPROVED |
| E | REVISED PER NEW REQUIREMENTS | 11/29/17 | R.L. |



PRODUCT REVISED
as complying with the Florida
Building Code
Acceptance No. 17-1219.29
Expiration Date 05/16/2023
By *[Signature]*
Miami Dade Product Control

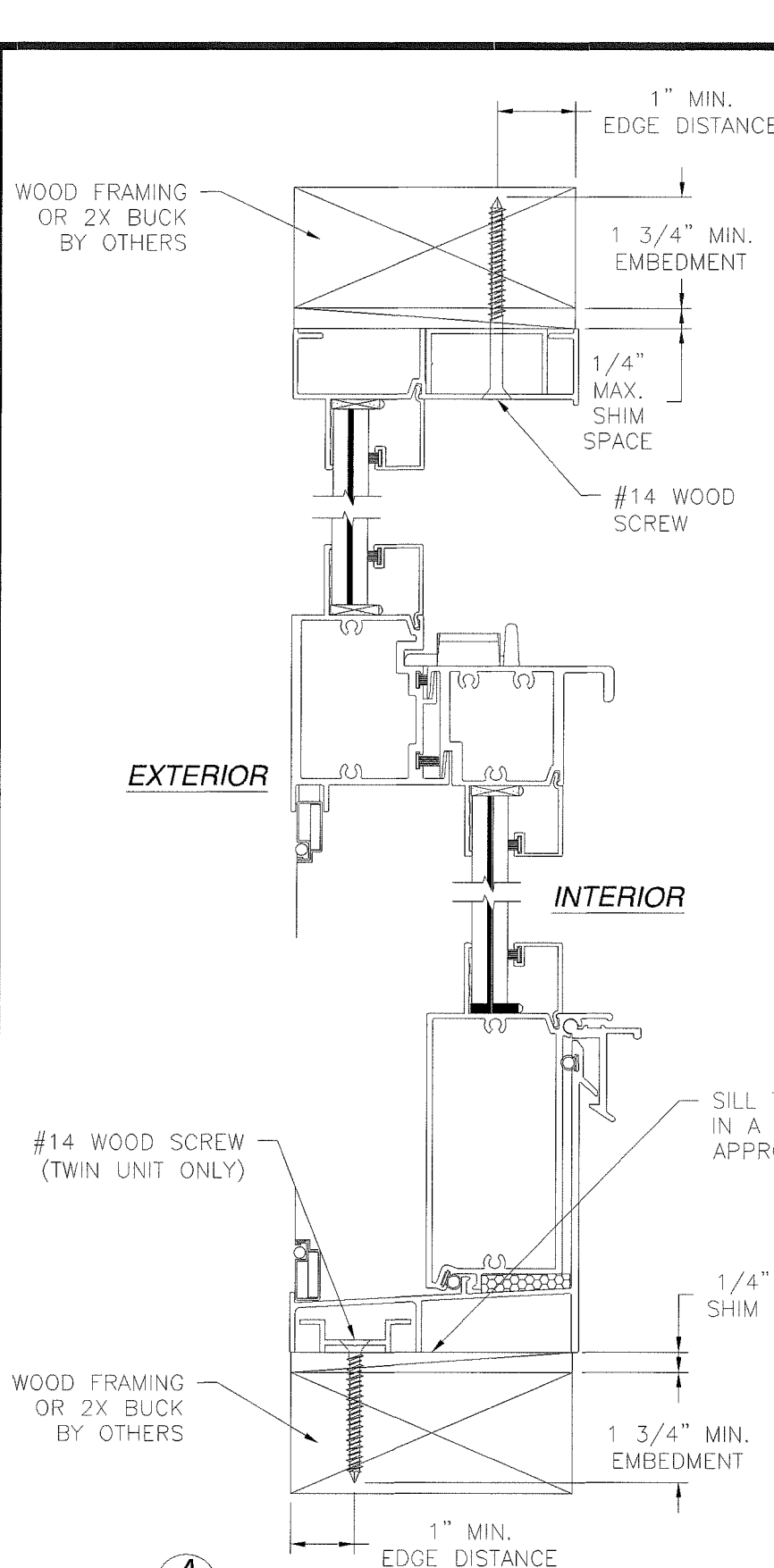
WinDoor
INCORPORATED
7500 AMSTERDAM DRIVE
ORLANDO, FL 32832
Phone: 407.481.8400
Fax: 407.481.0505
www.windoorinc.com
4000 ALUMINUM SINGLE HUNG WINDOW
EQUAL LEG AND FLANGE - LMI & SMI
B.O.M. & CROSS SECTIONS



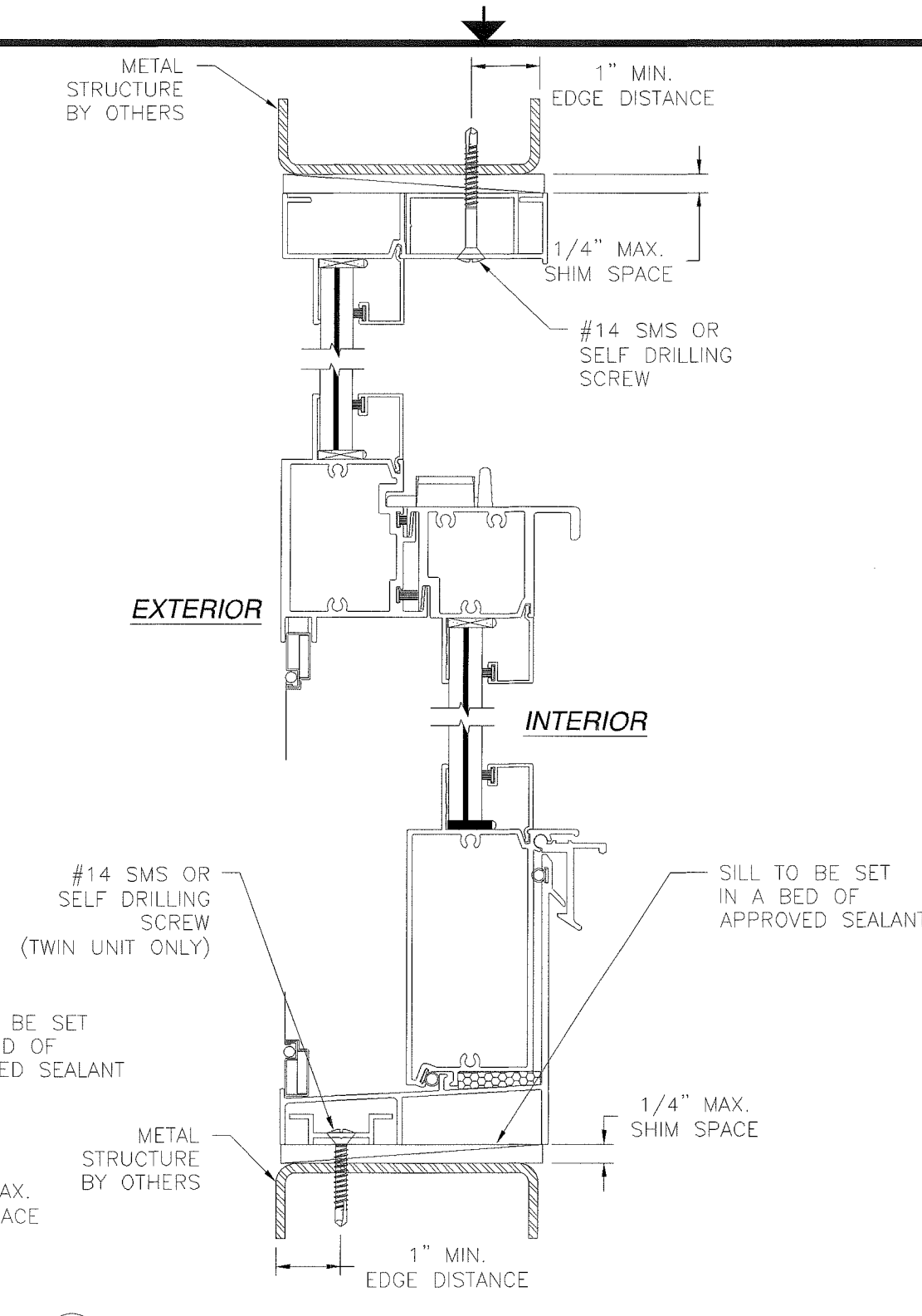
| | | |
|----------------|----------------------|------------------|
| DRAWN: V.L. | DWG. NO. 08-01832 | REV E |
| SCALE NTS | DATE 12/11/12 | SHEET 5 OF 10 |

SIGNED: 02/19/2018

| REVISIONS | | | |
|-----------|------------------------------|----------|----------|
| REV | DESCRIPTION | DATE | APPROVED |
| E | REVISED PER NEW REQUIREMENTS | 11/29/17 | R.L. |

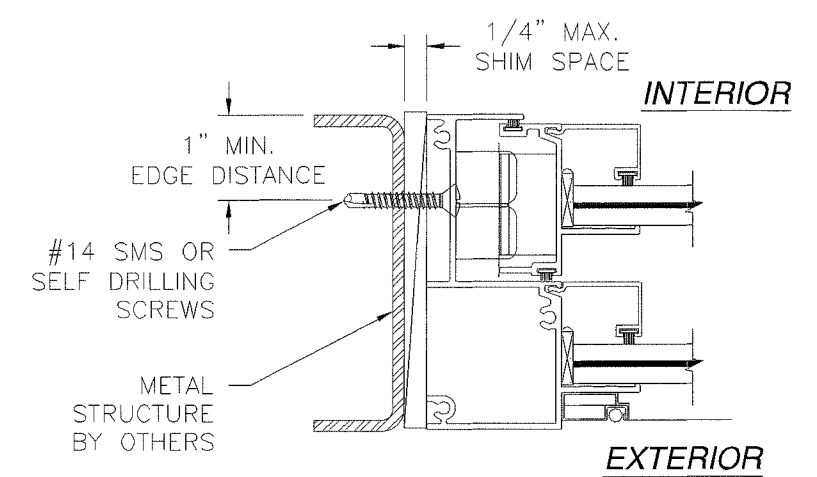


A/6 VERTICAL CROSS SECTION
WOOD FRAMING OR 2X BUCK INSTALLATION

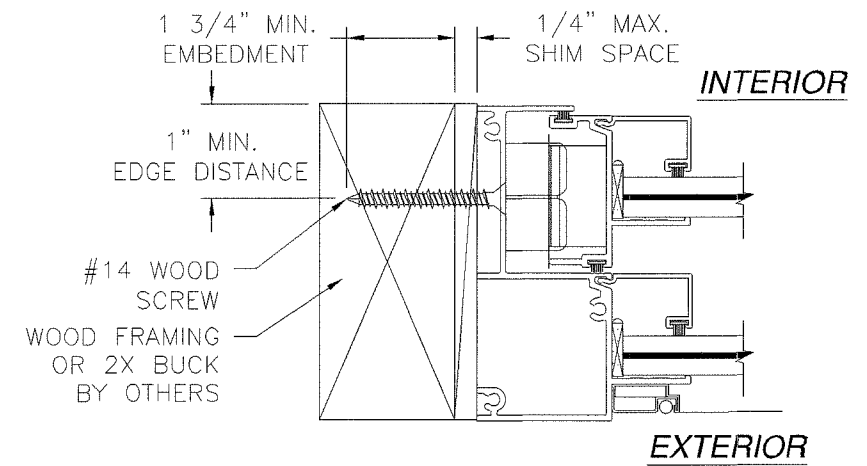


A/6 VERTICAL CROSS SECTION
METAL STRUCTURE INSTALLATION

- NOTES:
- INTERIOR AND EXTERIOR FINISHES, BY OTHERS, NOT SHOWN FOR CLARITY.
 - PERIMETER AND JOINT SEALANT BY OTHERS TO BE DESIGNED IN ACCORDANCE WITH ASTM E2112



B/6 JAMB INSTALLATION DETAIL
METAL STRUCTURE INSTALLATION



B/6 JAMB INSTALLATION DETAIL
WOOD FRAMING OR 2X BUCK INSTALLATION

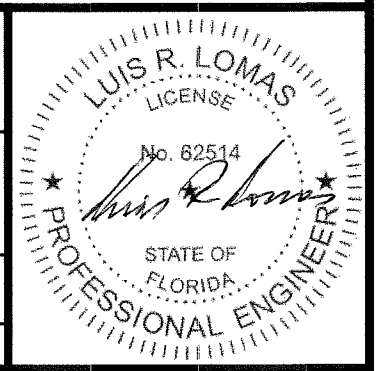
SIGNED: 02/19/2018

PRODUCT REVISED
as complying with the Florida
Building Code
Acceptance No 17-1219.29
Expiration Date 05/16/2023
By *[Signature]*
Miami Dade Product Control

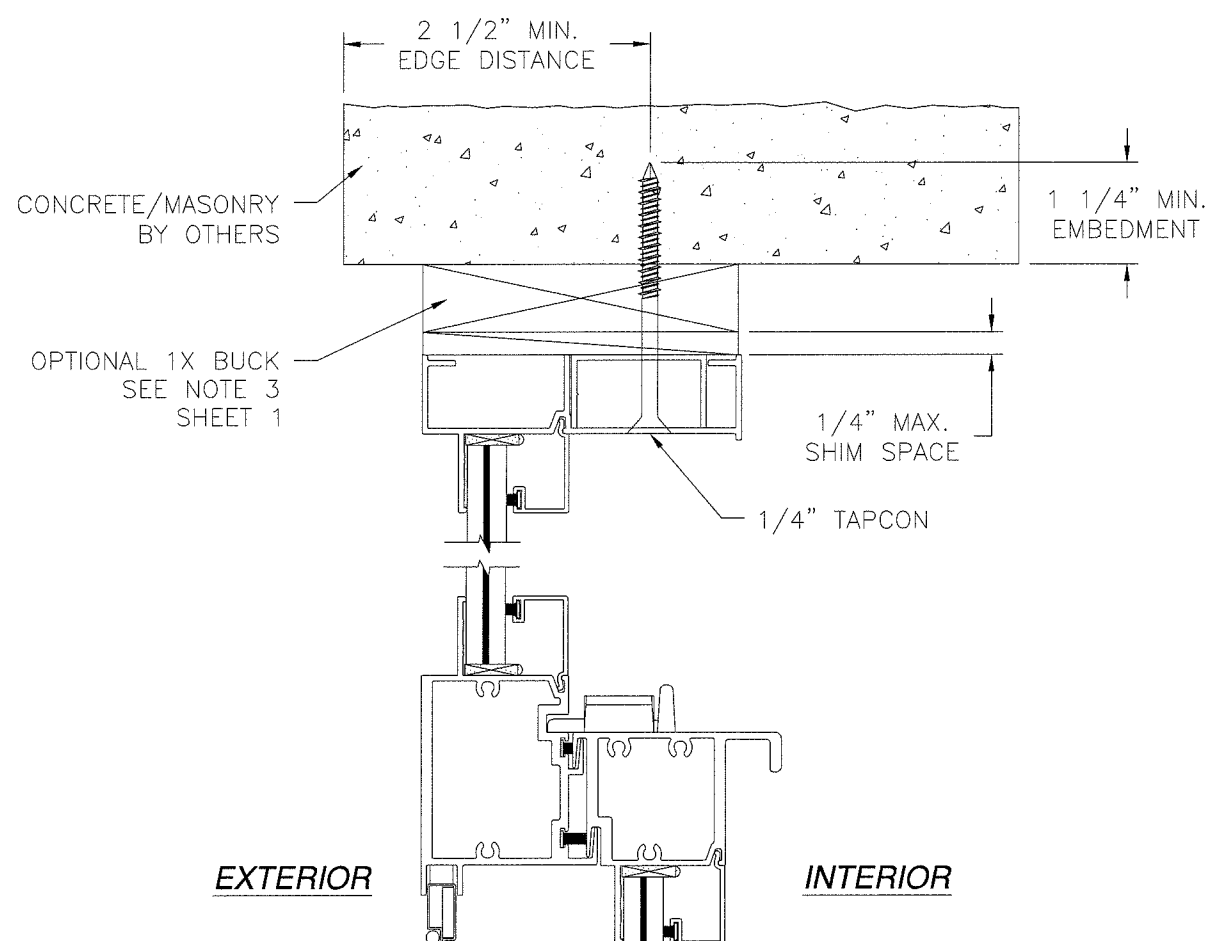
WinDoor INCORPORATED
7500 AMSTERDAM DRIVE
ORLANDO, FL 32832
Phone: 407.481.8400
Fax: 407.481.0505
www.windoorinc.com

4000 ALUMINUM SINGLE HUNG WINDOW
EQUAL LEG AND FLANGE - LMI & SMI
INSTALLATION DETAILS

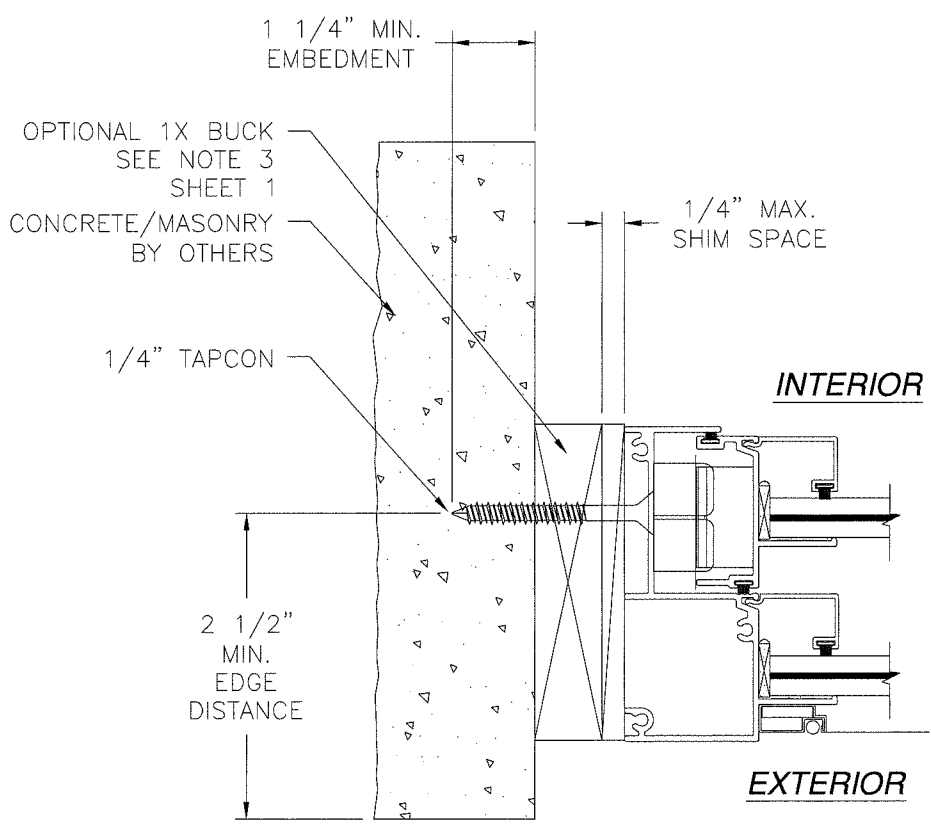
| | | |
|----------------|---------------------|---------------|
| DRAWN: V.L. | DWG NO. 08-01832 | REV E |
| SCALE NTS | DATE 12/11/12 | SHEET 6 OF 10 |



| REVISIONS | | | |
|-----------|------------------------------|----------|----------|
| REV | DESCRIPTION | DATE | APPROVED |
| E | REVISED PER NEW REQUIREMENTS | 11/29/17 | R.L. |

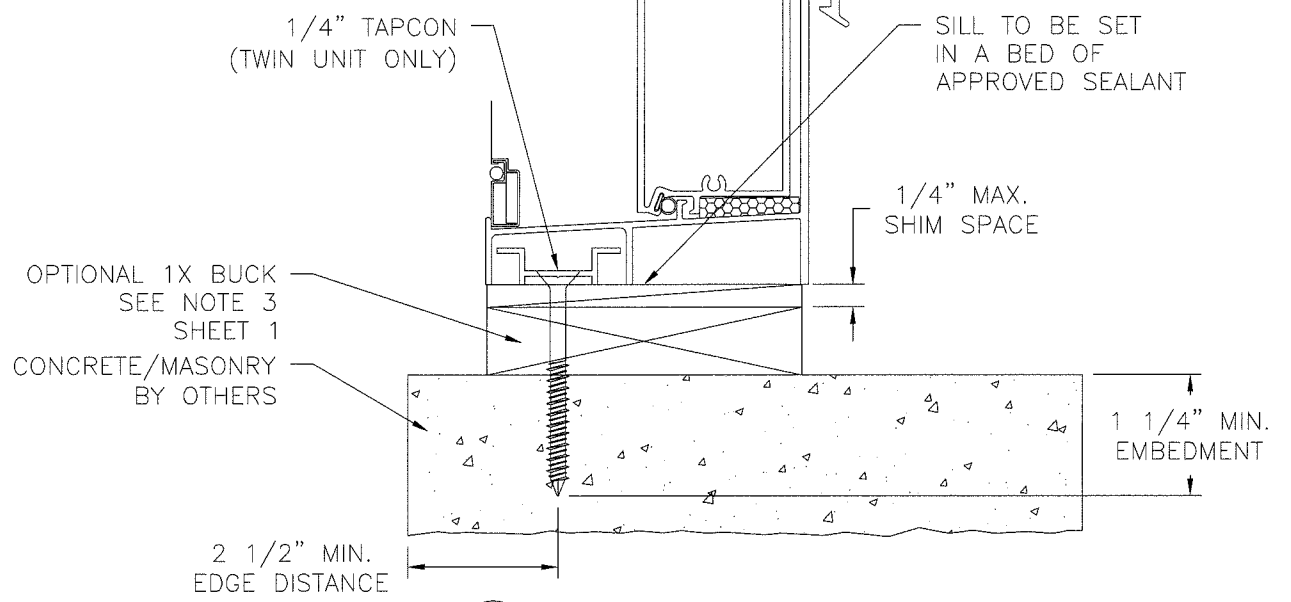


A
7
VERTICAL CROSS SECTION
CONCRETE/MASONRY INSTALLATION



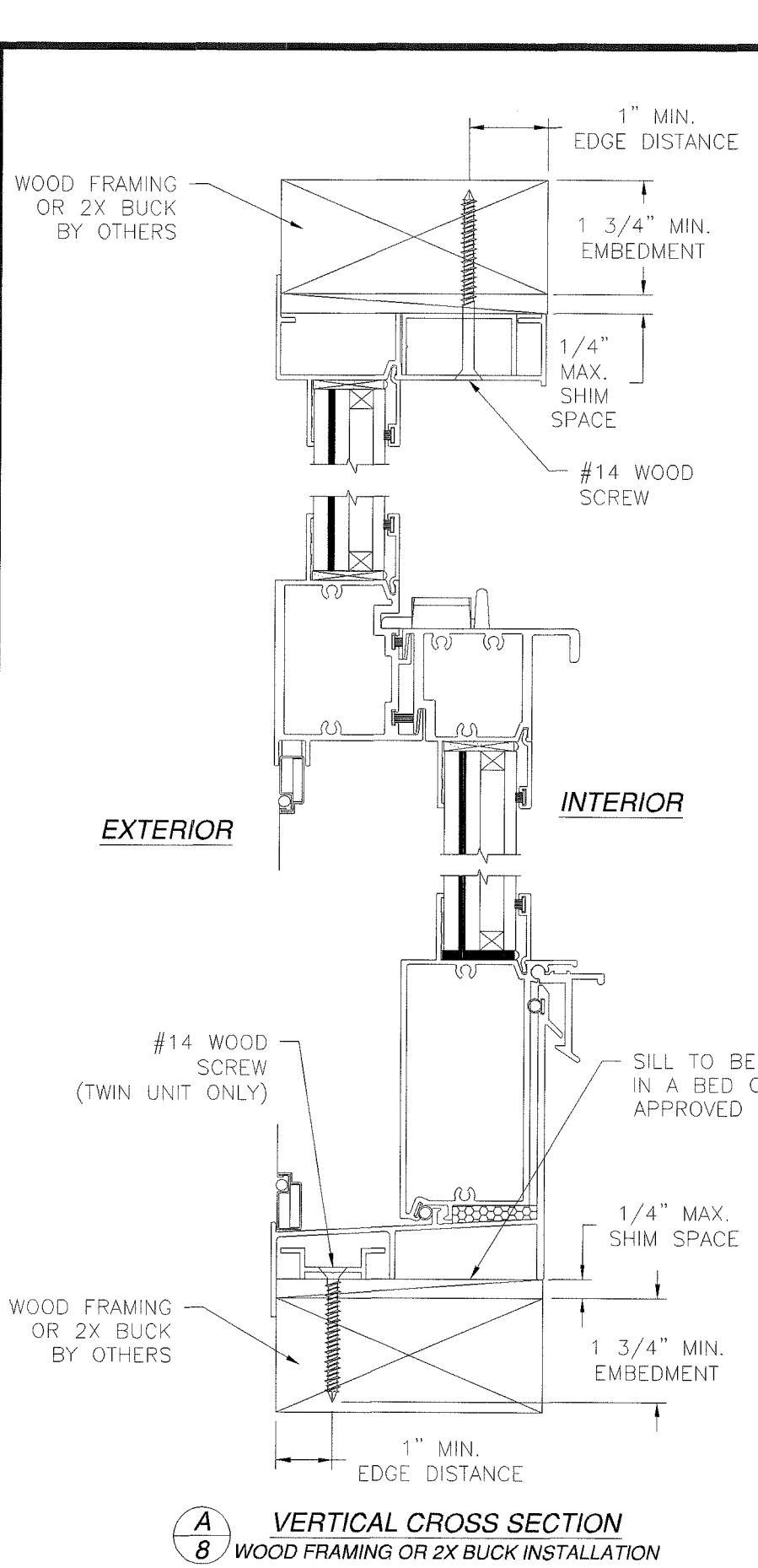
B
7
JAMB INSTALLATION DETAIL
CONCRETE/MASONRY INSTALLATION

- NOTES:**
1. INTERIOR AND EXTERIOR FINISHES, BY OTHERS, NOT SHOWN FOR CLARITY.
 2. PERIMETER AND JOINT SEALANT BY OTHERS TO BE DESIGNED IN ACCORDANCE WITH ASTM E2112

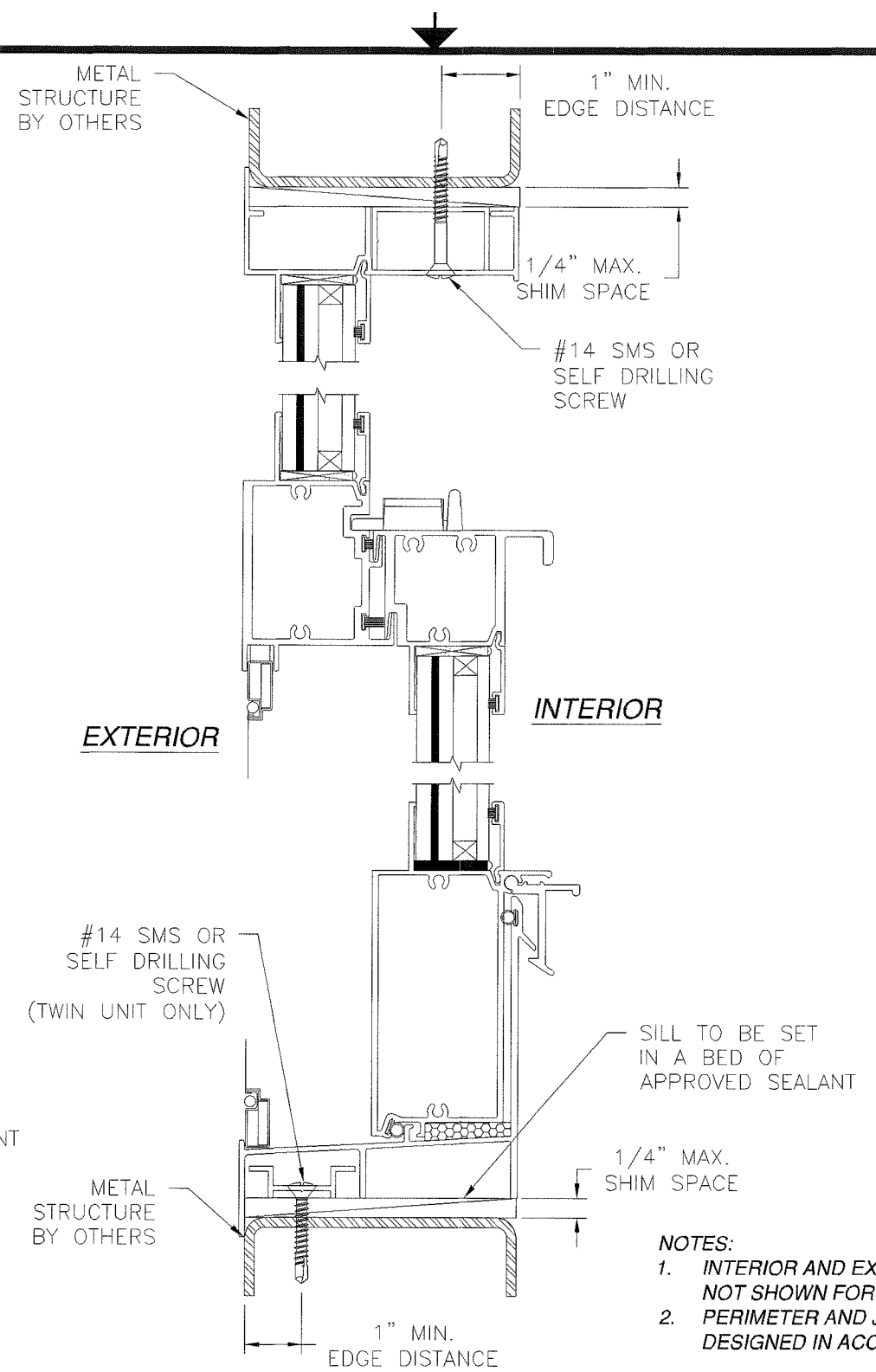


SIGNED: 02/19/2018

| | | |
|--|---|---------------|
| PRODUCT REVISED as complying with the Florida Building Code Acceptance No <u>17-1219.29</u> Expiration Date <u>05/16/2023</u> By <u>[Signature]</u> Miami Dade Product Control | WinDoor INCORPORATED 7500 AMSTERDAM DRIVE ORLANDO, FL 32832 Phone: 407.481.8400 Fax: 407.481.0505 www.windoorinc.com | |
| | 4000 ALUMINUM SINGLE HUNG WINDOW EQUAL LEG AND FLANGE - LMI & SMI INSTALLATION DETAILS | |
| DRAWN: V.L. | DWG. NO. 08-01832 | REV E |
| SCALE NTS | DATE 12/11/12 | SHEET 7 OF 10 |

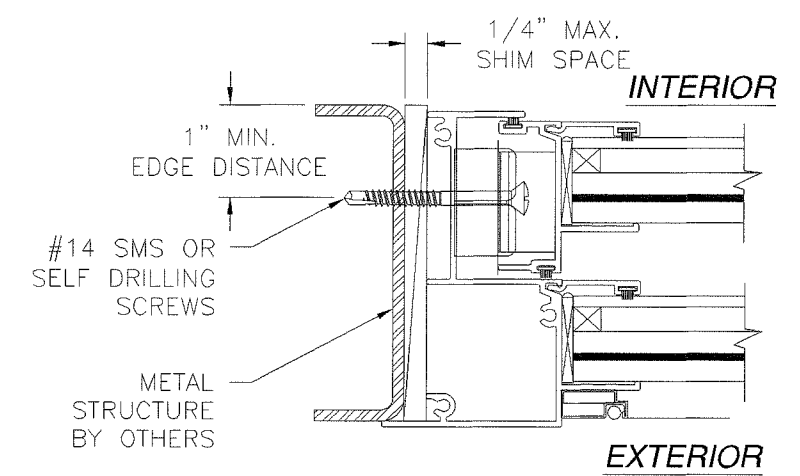


A
8 VERTICAL CROSS SECTION
WOOD FRAMING OR 2X BUCK INSTALLATION

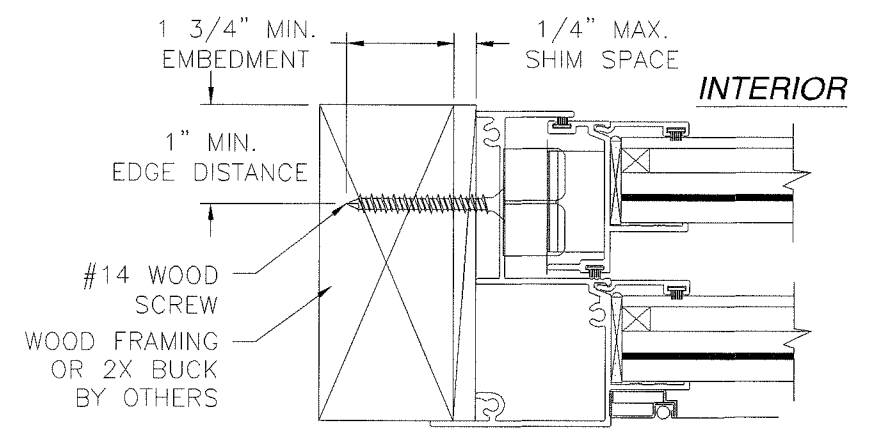


A
8 VERTICAL CROSS SECTION
METAL STRUCTURE INSTALLATION

| REVISIONS | | | |
|-----------|------------------------------|----------|----------|
| REV | DESCRIPTION | DATE | APPROVED |
| E | REVISED PER NEW REQUIREMENTS | 11/29/17 | R.L. |



B
8 JAMB INSTALLATION DETAIL
METAL STRUCTURE INSTALLATION

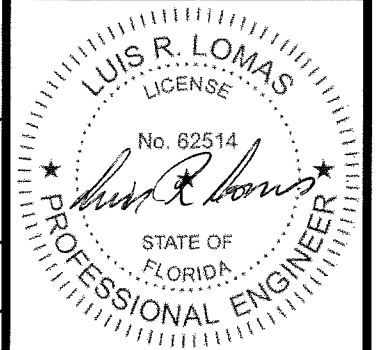


B
8 JAMB INSTALLATION DETAIL
WOOD FRAMING OR 2X BUCK INSTALLATION

- NOTES:**
1. INTERIOR AND EXTERIOR FINISHES, BY OTHERS, NOT SHOWN FOR CLARITY.
 2. PERIMETER AND JOINT SEALANT BY OTHERS TO BE DESIGNED IN ACCORDANCE WITH ASTM E2112

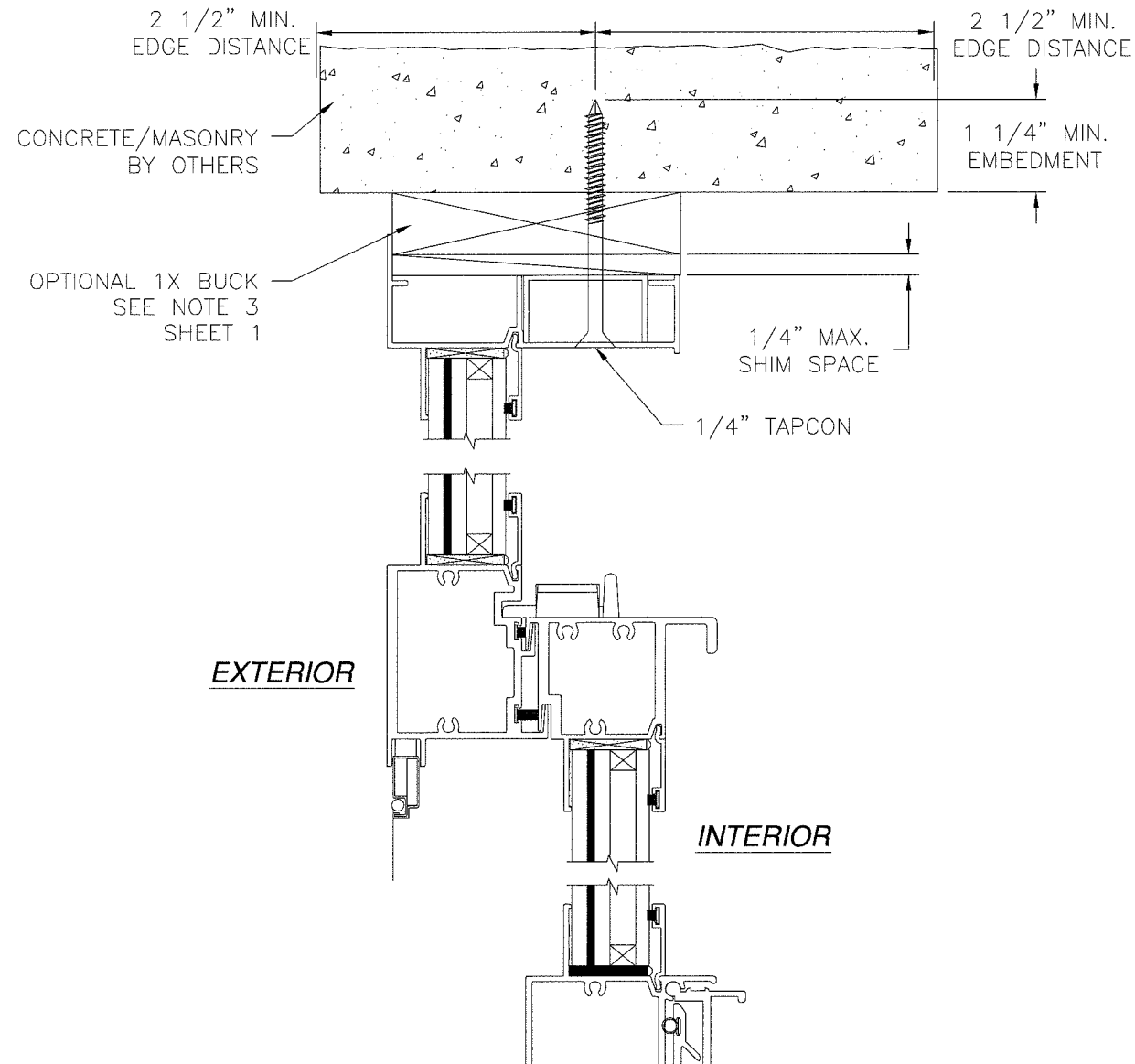
SIGNED: 02/19/2018

| | |
|---|-----------------------------|
| <p>WinDoor INCORPORATED</p> <p>7500 AMSTERDAM DRIVE ORLANDO, FL 32832 Phone: 407.481.8400 Fax: 407.481.0505 www.windoorinc.com</p> | |
| <p>4000 ALUMINUM SINGLE HUNG WINDOW EQUAL LEG AND FLANGE - LMI & SMI INSTALLATION DETAILS</p> | |
| <p>DRAWN: V.L.</p> | <p>DWG NO. 08-01832</p> |
| <p>SCALE NTS</p> | <p>DATE 12/11/12</p> |
| <p>REV E</p> | <p>SHEET 8 OF 10</p> |

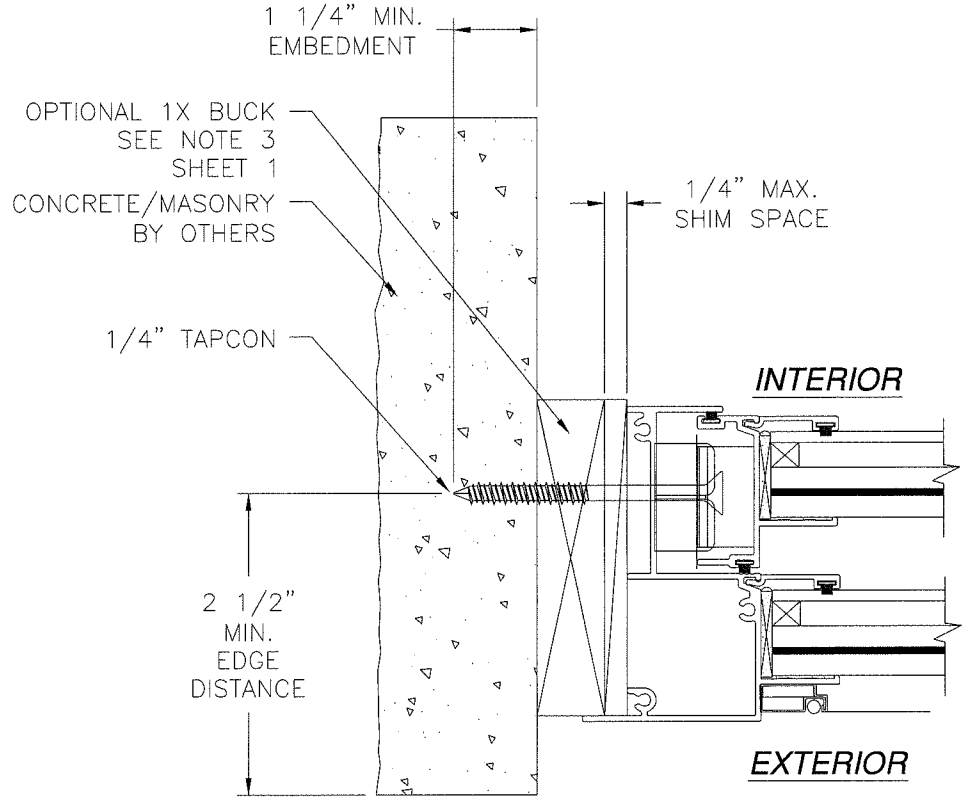


PRODUCT REVISED
as complying with the Florida
Building Code
Acceptance No. 17-1219-29
Expiration Date 05/16/2023
By *[Signature]*
Miami Dade Product Control

| REVISIONS | | | |
|-----------|------------------------------|----------|----------|
| REV | DESCRIPTION | DATE | APPROVED |
| E | REVISED PER NEW REQUIREMENTS | 11/29/17 | R.L. |

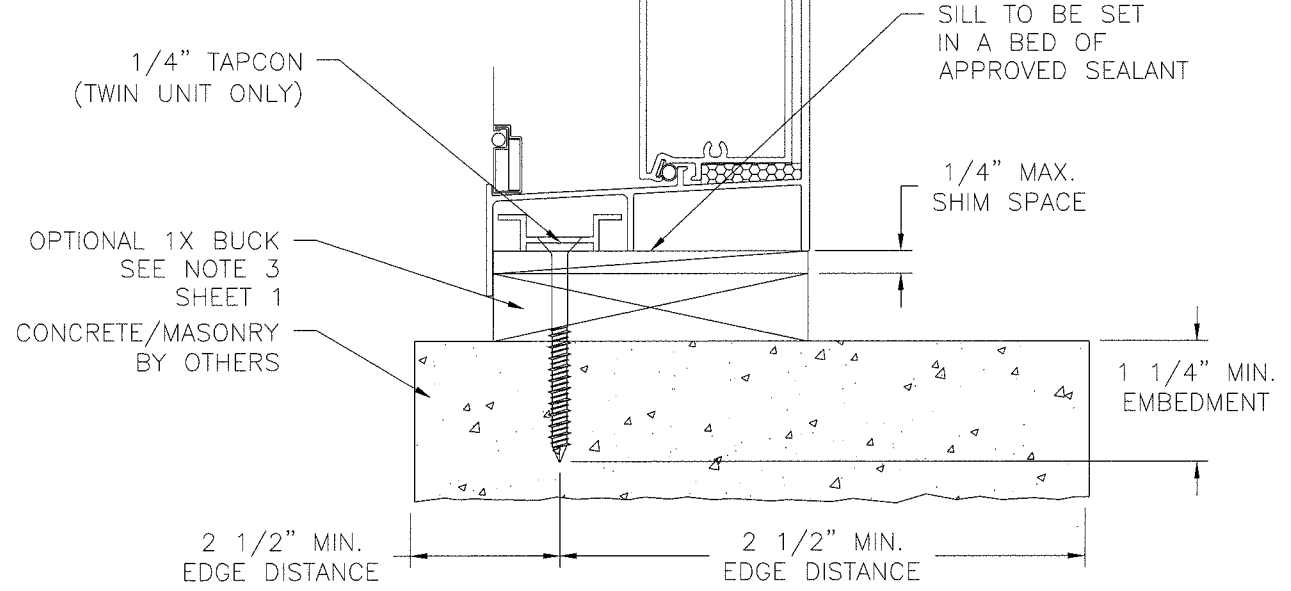


A VERTICAL CROSS SECTION
9 CONCRETE/MASONRY INSTALLATION



B JAMB INSTALLATION DETAIL
9 CONCRETE/MASONRY INSTALLATION

- NOTES:
1. INTERIOR AND EXTERIOR FINISHES, BY OTHERS, NOT SHOWN FOR CLARITY.
 2. PERIMETER AND JOINT SEALANT BY OTHERS TO BE DESIGNED IN ACCORDANCE WITH ASTM E2112



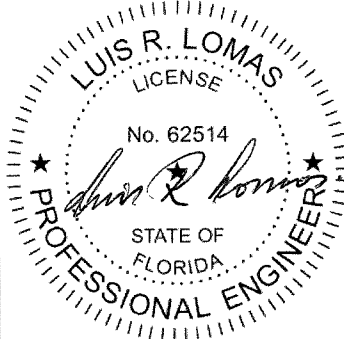
SIGNED: 02/19/2018

PRODUCT REVISED
as complying with the Florida
Building Code
Acceptance No. 17-1219.29
Expiration Date 05/16/2023
By *[Signature]*
Miami Dade Product Control!

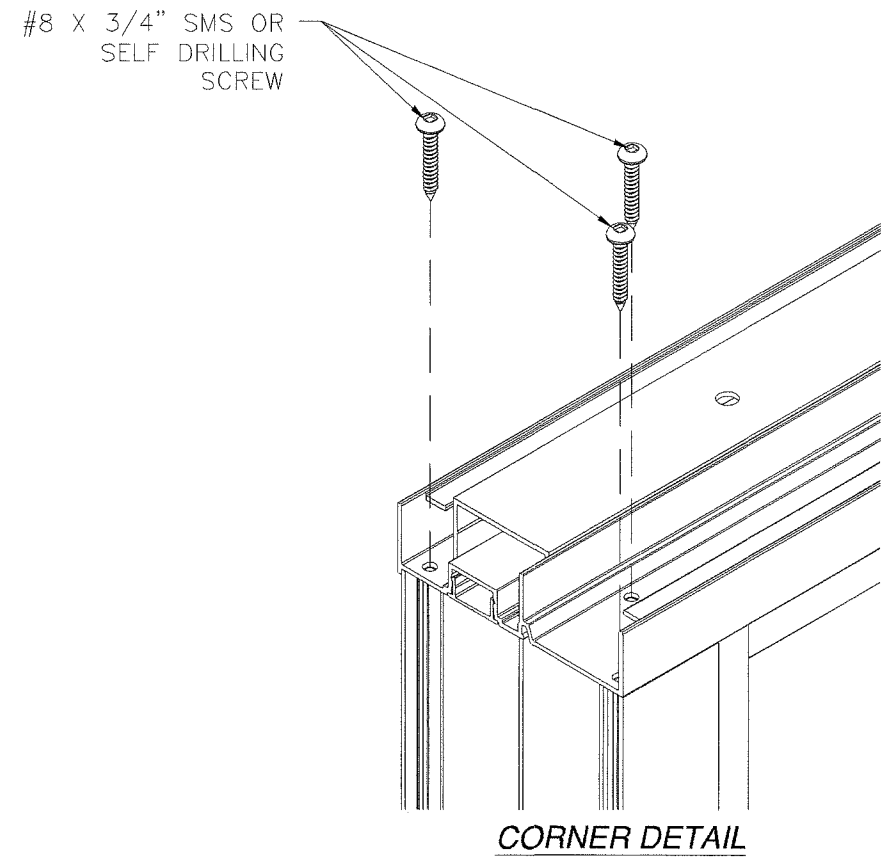
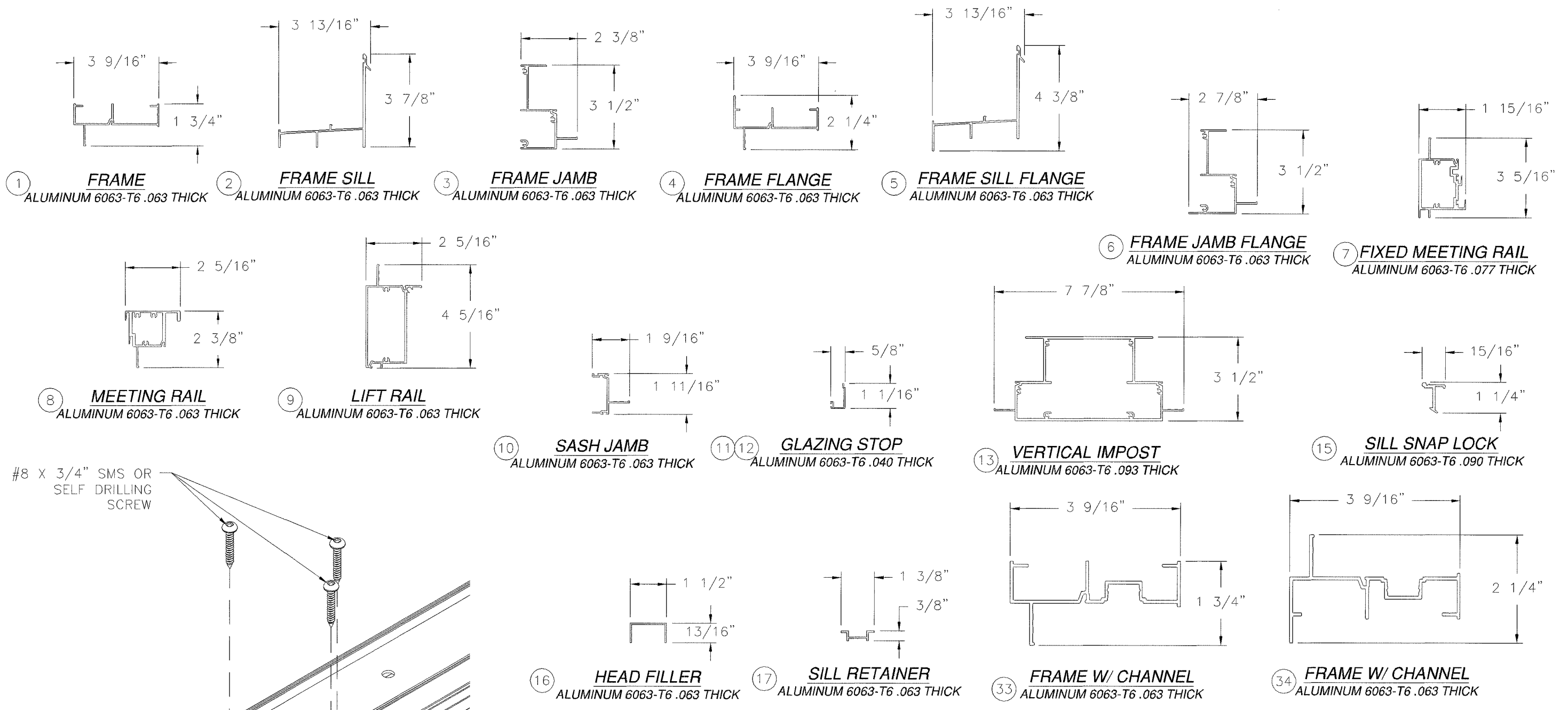
WinDoor
INCORPORATED
7500 AMSTERDAM DRIVE
ORLANDO, FL 32832
Phone: 407.481.8400
Fax: 407.481.0505
www.windoorinc.com

4000 ALUMINUM SINGLE HUNG WINDOW
EQUAL LEG AND FLANGE - LMI & SMI
INSTALLATION DETAILS

| | | |
|----------------|---------------------|---------------|
| DRAWN: V.L. | DWG NO. 08-01832 | REV E |
| SCALE NTS | DATE 12/11/12 | SHEET 9 OF 10 |



| REVISIONS | | | |
|-----------|------------------------------|----------|----------|
| REV | DESCRIPTION | DATE | APPROVED |
| E | REVISED PER NEW REQUIREMENTS | 11/29/17 | R.L. |



SIGNED: 02/19/2018

| | | |
|--|--|----------------|
| PRODUCT REVISED as complying with the Florida Building Code Acceptance No <u>17-1219.29</u> Expiration Date <u>05/16/2023</u> By <u>[Signature]</u> Miami Dade Product Control | WinDoor INCORPORATED 7500 AMSTERDAM DRIVE ORLANDO, FL 32832 Phone: 407.481.8400 Fax: 407.481.0505 www.windowinc.com | |
| | 4000 ALUMINUM SINGLE HUNG WINDOW EQUAL LEG AND FLANGE - LMI & SMI COMPONENTS | |
| DRAWN: V.L. | DWG NO. 08-01832 | REV E |
| SCALE NTS | DATE 12/11/12 | SHEET 10 OF 10 |