



MIAMI-DADE COUNTY
 DEPARTMENT OF REGULATORY AND ECONOMIC RESOURCES (RER)
 BOARD AND CODE ADMINISTRATION DIVISION
NOTICE OF ACCEPTANCE (NOA)

MIAMI-DADE COUNTY, FLORIDA
PRODUCT CONTROL SECTION
 11805 S.W. 26 Street, Room 208
 T (786) 315-2590, F (786) 315-2599
www.miamidade.gov/economy

WinDoor, Inc.
7500 Amsterdam Drive
Orlando, FL 32832

SCOPE:

This NOA is being issued under the applicable rules and regulations governing the use of construction materials. The documentation submitted has been reviewed and accepted by Miami-Dade County RER-Product Control Section to be used in Miami-Dade County and other areas where allowed by the Authority Having Jurisdiction (AHJ).

This NOA shall not be valid after the expiration date stated below. The Miami-Dade County Product Control Section (In Miami-Dade County) and/or the AHJ (in areas other than Miami-Dade County) reserve the right to have this product or material tested for quality assurance purposes. If this product or material fails to perform in the accepted manner, the manufacturer will incur the expense of such testing and the AHJ may immediately revoke, modify, or suspend the use of such product or material within their jurisdiction. RER reserves the right to revoke this acceptance, if it is determined by Miami-Dade County Product Control Section that this product or material fails to meet the requirements of the applicable building code.

This product is approved as described herein, and has been designed to comply with the Florida Building Code, including the High Velocity Hurricane Zone.

DESCRIPTION: Series "V-100 Field" Clipped, Extruded Aluminum Mullion – L.M.I.

APPROVAL DOCUMENT: Drawing No.08-01164, titled "Series V-100 Aluminum Field Mullion L.M.I.," sheets 1 through 3 of 3, dated 02/24/2011, with last revision "D", dated 12/01/17, prepared by WinDoor, Inc., signed and sealed by Luis R. Lomas, P.E., dated 12/01/17, bearing the Miami-Dade County Product Control Revision stamp with the Notice of Acceptance number and expiration date by the Miami-Dade County Product Control Section.

MISSILE IMPACT RATING: Large and Small Missile Impact Resistant

LABELING: Each unit shall bear a permanent label with the manufacturer's name or logo, city, state, model/series, and following statement: "Miami-Dade County Product Control Approved", unless otherwise noted herein.

RENEWAL of this NOA shall be considered after a renewal application has been filed and there has been no change in the applicable building code negatively affecting the performance of this product.

TERMINATION of this NOA will occur after the expiration date or if there has been a revision or change in the materials, use, and/or manufacture of the product or process. Misuse of this NOA as an endorsement of any product, for sales, advertising or any other purposes shall automatically terminate this NOA. Failure to comply with any section of this NOA shall be cause for termination and removal of NOA.

ADVERTISEMENT: The NOA number preceded by the words Miami-Dade County, Florida, and followed by the expiration date may be displayed in advertising literature. If any portion of the NOA is displayed, then it shall be done in its entirety.

INSPECTION: A copy of this entire NOA shall be provided to the user by the manufacturer or its distributors and shall be available for inspection at the job site at the request of the Building Official. This NOA revises NOA #16-1110.02 and consists of this page 1 and evidence page E-1, as well as approval document mentioned above.

The submitted documentation was reviewed by **Sifang Zhao, P.E.**



S.S.
02/09/2018

NOA No. 17-1219.41
 Expiration Date: February 16, 2022
 Approval Date: February 15, 2018
 Page 1

NOTICE OF ACCEPTANCE: EVIDENCE SUBMITTED

A. DRAWINGS

1. No. **08-01164**, titled "Series V-100 Aluminum Field Mullion L.M.I.," sheets 1 through 3 of 3, dated 02/24/2011, with last revision "D", prepared by WinDoor, Inc., signed and sealed by Luis R. Lomas, P.E., dated 12/01/2017.

B. TESTS

1. Test reports on: 1) Uniform Static Air Pressure Test, Loading per FBC, TAS 202-94
2) Large Missile Impact Test per FBC, TAS 201-94
3) Cyclic Wind Pressure Loading per FBC, TAS 203-94
along with marked-up drawings and installation diagram of "Series V-100" Vertical Field Mullions, prepared by National Certified Testing Laboratories, Test Report No. **NCTL 210-3658-5**, dated 09/22/2011, signed and sealed by Gerard J. Ferrara, P. E.
(Submitted under previous NOA No. 11-0330.01)

C. CALCULATIONS

1. Anchor verification calculations and structural analysis, complying with FBC-2014, dated 06/05/2015, prepared, signed and sealed by Luis R. Lomas, P.E.
(Submitted under previous NOA No.'s 11-0330.01 / 15-0618.07)

D. QUALITY ASSURANCE

1. Miami-Dade Department of Regulatory and Economic Resources (RER).

E. MATERIAL CERTIFICATIONS

1. None.

F. STATEMENTS

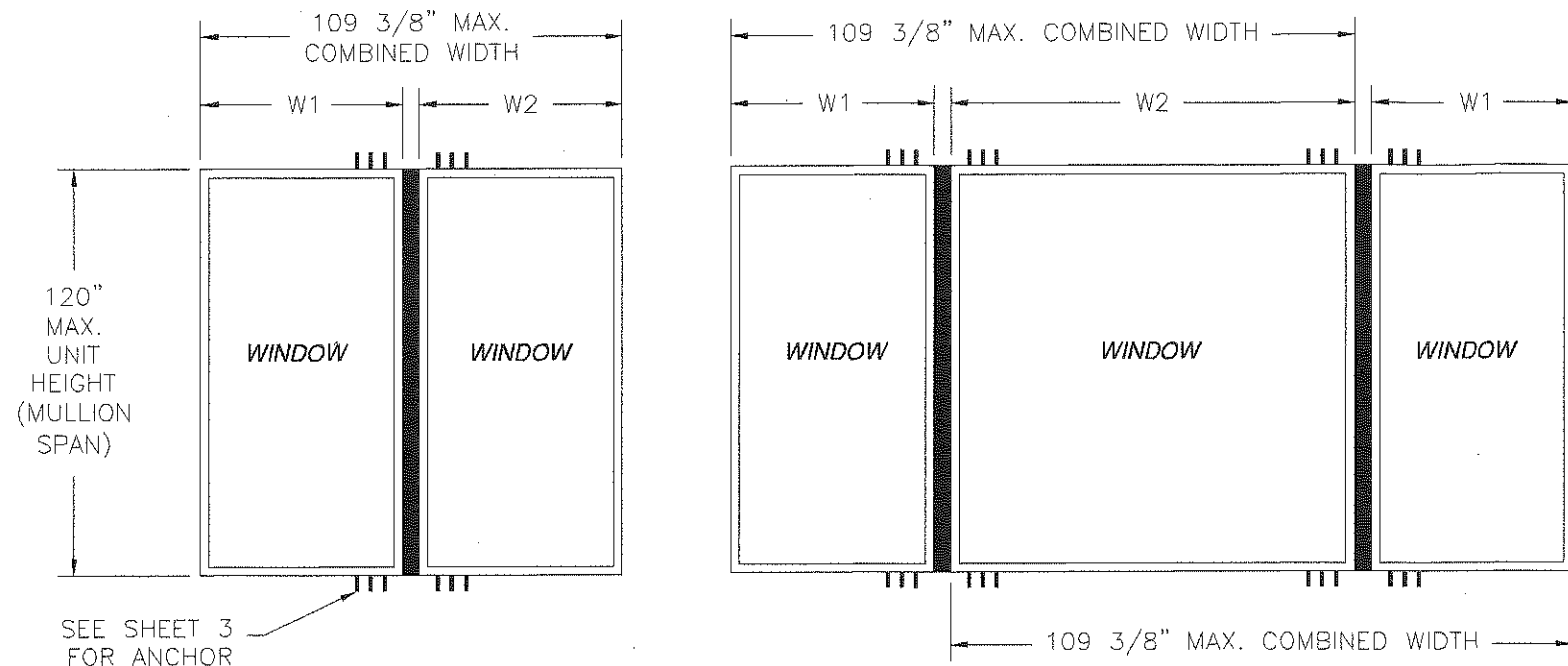
1. Statement letter of code conformance with the 2017 FBC, 6th edition and no financial interest, issued by L. Roberto Lomas, P.E., dated 12/01/2017, signed and sealed by Luis R. Lomas, P.E.

G. OTHERS

1. Notice of Acceptance No. **16-1110.02**, issued to WinDoor, Inc. for their "V-100 Field" Clipped, Extruded Aluminum Mullion – L.M.I., approved on 12/18/16 and expiring on 02/16/22.



Sifang Zhao, P.E.
Product Control Examiner
NOA No. 17-1219.41
Expiration Date: February 16, 2022
Approval Date: February 15, 2018



REVISIONS			
REV	DESCRIPTION	DATE	APPROVED
D	REVISED PER NEW REQUIREMENTS	12/01/17	R.L.

- NOTES:
1. THE PRODUCT SHOWN HEREIN IS DESIGNED AND MANUFACTURED TO COMPLY WITH REQUIREMENTS OF THE FLORIDA BUILDING CODE 6th EDITION (2017) INCLUDING THE HVHZ.
 2. WOOD FRAMING, 2X BACKED STEEL FRAMING AND MASONRY TO BE DESIGNED AND ANCHORED TO PROPERLY TRANSFER ALL LOADS TO STRUCTURE. FRAMING AND MASONRY DESIGN IS THE RESPONSIBILITY OF THE ARCHITECT OR ENGINEER OF RECORD.
 3. ALLOWABLE STRESS INCREASE OF 1/3 WAS NOT USED IN THE DESIGN OF THE PRODUCT SHOWN HEREIN. WIND LOAD DURATION FACTOR Cd=1.6 WAS USED FOR WOOD ANCHOR CALCULATIONS.
 4. APPROVED IMPACT PROTECTIVE SYSTEM IS NOT REQUIRED FOR THIS PRODUCT IN WIND BORNE DEBRIS REGIONS.
 5. DESIGN PRESSURE AND INSTALLATION DETAILS SHOWN IN THIS DOCUMENT APPLY ONLY TO MULLION. WINDOWS MUST BE APPROVED UNDER SEPARATE APPROVAL.
 6. SINGLE UNITS TO BE MULLED ARE NOT LIMITED TO THOSE SHOWN IN THIS DRAWING. SINGLE UNITS TO BE MULLED TOGETHER MUST BE MANUFACTURED BY WINDOOR, INC.
 7. DESIGN PRESSURE OF MULLED UNIT SHALL BE CONTROLLED BY THE LESSER DESIGN PRESSURE OF THE MULLION OR THE INDIVIDUAL WINDOW UNIT.
 8. TWIN CONFIGURATION SHOWN. UNITS MAY BE MULLED TOGETHER INDEFINITELY AS LONG AS SINGLE UNIT WIDTH AND HEIGHT ARE NOT EXCEEDED AND MULLION IS ANCHORED AS SHOWN HEREIN.
 9. MULLION VERTICAL INSTALLATION IS SHOWN, MULLION MAY BE USED IN HORIZONTAL APPLICATIONS AS LONG AS DIMENSIONS INDICATED HEREIN ARE NOT EXCEEDED AND MULLION IS ANCHORED ACCORDING TO THIS DOCUMENT. WHEN INSTALLED IN HORIZONTAL APPLICATION UNITS MAYBE STACKED AND THEY ARE NOT TO BE INSTALLED IN CLUSTERS.

SERIES V-100 ALUMINUM FIELD MULLION
EXTERIOR VIEW

Design pressure capacity chart (PSF)

Frame Height (in)	Tributary width (in)											
	24.0		30.0		36.0		42.0		48.0		54.0	
	POS	NEG	POS	NEG	POS	NEG	POS	NEG	POS	NEG	POS	NEG
24.0	100.0	130.0	100.0	130.0	100.0	130.0	100.0	130.0	100.0	130.0	100.0	130.0
30.0	100.0	130.0	100.0	130.0	100.0	130.0	100.0	130.0	100.0	130.0	100.0	130.0
30.0	100.0	130.0	100.0	130.0	100.0	130.0	100.0	130.0	100.0	130.0	100.0	130.0
42.0	100.0	130.0	100.0	130.0	100.0	130.0	100.0	130.0	100.0	130.0	100.0	130.0
48.0	100.0	130.0	100.0	130.0	100.0	130.0	100.0	130.0	100.0	130.0	100.0	130.0
54.0	100.0	130.0	100.0	130.0	100.0	130.0	100.0	130.0	100.0	130.0	100.0	130.0
60.0	100.0	130.0	100.0	130.0	100.0	130.0	100.0	130.0	100.0	130.0	100.0	130.0
66.0	100.0	130.0	100.0	130.0	100.0	130.0	100.0	130.0	100.0	130.0	100.0	130.0
72.0	100.0	130.0	100.0	130.0	100.0	130.0	100.0	130.0	100.0	130.0	100.0	130.0
78.0	100.0	130.0	100.0	120.0	100.0	114.0	100.0	113.0	100.0	112.0	100.0	104.0
84.0	100.0	120.0	100.0	106.0	100.0	100.0	97.0	97.0	87.0	87.0	81.0	81.0
90.0	100.0	109.0	96.0	96.0	88.0	88.0	77.0	77.0	70.0	70.0	64.0	64.0
96.0	100.0	100.0	85.0	85.0	72.0	72.0	63.0	63.0	56.0	56.0	52.0	52.0
102.0	87.0	87.0	71.0	71.0	60.0	60.0	52.0	52.0	46.0	46.0	42.0	42.0
108.0	73.0	73.0	59.0	59.0	50.0	50.0	43.0	43.0	39.0	39.0	35.0	35.0
114.0	62.0	62.0	50.0	50.0	42.0	42.0	37.0	37.0	33.0	33.0	29.0	29.0
120.0	53.0	53.0	43.0	43.0	36.0	36.0	31.0	31.0	28.0	28.0	25.0	25.0

LARGE AND SMALL MISSILE, LEVEL D, WIND ZONE 4 AND HVHZ

DESIGN PRESSURE TABLE INSTRUCTIONS:

- 1) DEFINE REQUIRED DESIGN LOAD PER FLORIDA BUILDING CODE CHAPTER 16.
- 2) DETERMINE TRIBUTARY WIDTH AND MULLION SPAN BASED ON PRODUCT TO BE INSTALLED. SEE FORMULA FOR TRIBUTARY WIDTH. TRIBUTARY WIDTH CALCULATION DOES NOT INCLUDE 1 3/8" MULLION SPACE.
- 3) LOCATE MULLION SPAN (UNIT HEIGHT) AND TRIBUTARY WIDTH. AT INTERSECTION OF ROW AND COLUMN CONTAINING MULLION SPAN AND TRIBUTARY WIDTH IS MULLION RATING FOR PRODUCT IN STEP 2. MULLION RATING MUST BE EQUAL OR GREATER THAN REQUIRED DESIGN PRESSURE OBTAINED IN STEP 1.

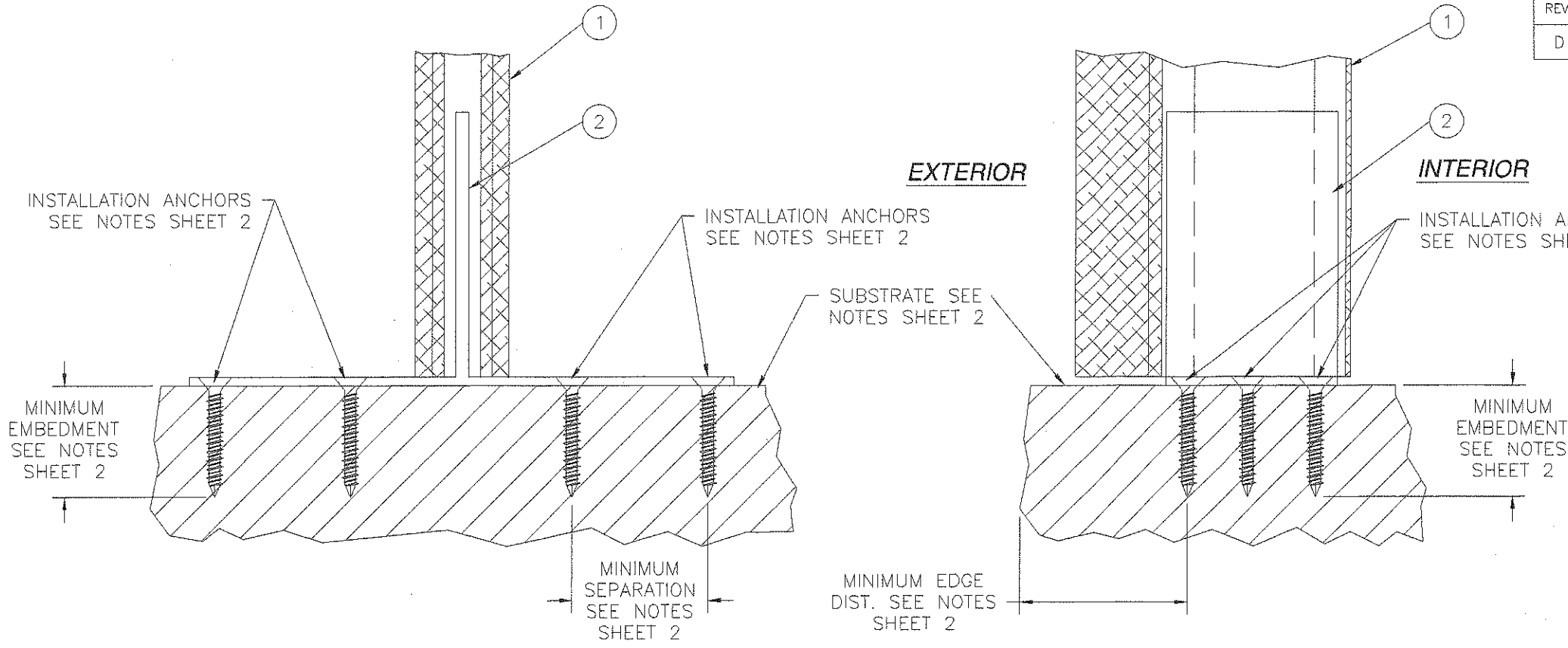
$$\text{TRIBUTARY WIDTH} = \frac{W1 + W2}{2}$$

TABLE OF CONTENTS	
SHEET NO.	DESCRIPTION
1	ELEVATION, DESIGN PRESSURE CHART AND NOTES
2	INSTALLATION DETAILS AND NOTES
3	BILL OF MATERIALS COMPONENTS

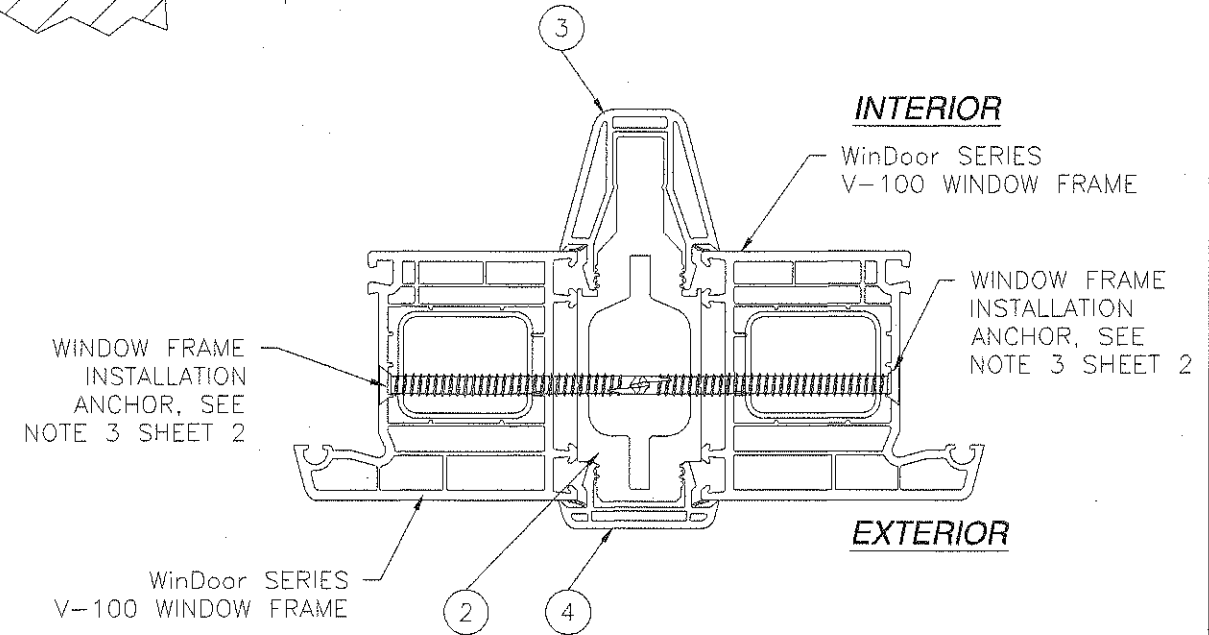
PRODUCT REVISED as complying with the Florida Building Code Acceptance No <u>17-1219.41</u> Expiration Date <u>02/16/2022</u> By <u>[Signature]</u> Miami Dade Product Control	WinDoor INCORPORATED 7500 AMSTERDAM DRIVE ORLANDO, FL 32832 Phone: 407.481.8490 Fax: 407.481.0505 www.windoorinc.com	
	SERIES V-100 ALUMINUM FIELD MULLION LARGE AND SMALL MISSILE IMPACT ELEVATION, DESIGN PRESSURE CHART AND NOTES	
DRAWN: TJH SCALE: NTS DATE: 02/24/11	DWG NO.: 08-01164 DATE: 02/24/11	REV: D SHEET 1 OF 3

SIGNED: 12/01/2017

REVISIONS			
REV	DESCRIPTION	DATE	APPROVED
D	REVISED PER NEW REQUIREMENTS	12/01/17	R.L.



T-CLIP INSTALLATION DETAIL
MULLION BOTTOM SHOWN, MULLION TOP SIMILAR



WINDOW TO MULLION INSTALLATION DETAIL

ANCHORING NOTES:

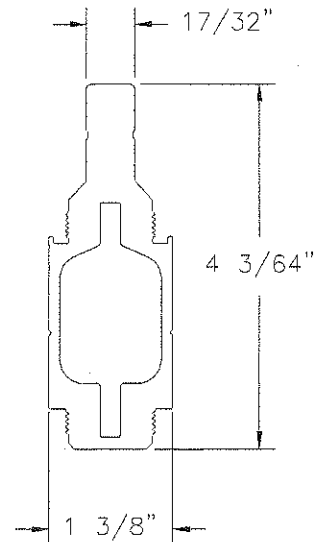
- FOR ANCHORING INTO WOOD FRAMING, 2X BUCK OR 2X BACKED 20GA. MINIMUM STEEL FRAMING USE #12 WOOD SCREW WITH SUFFICIENT LENGTH TO ACHIEVE A 1 5/8" MINIMUM EMBEDMENT INTO SUBSTRATE AND 7/8" MINIMUM EDGE DISTANCE. LOCATE ANCHORS AS SHOWN IN ELEVATIONS AND INSTALLATION DETAILS.
- FOR ANCHORING INTO CONCRETE BUCK USE 1/4" ITW TAPCON WITH ADVANCED THREADFORM TECHNOLOGY. OR 1/4" ELCO AGGRE-GATOR TAPCON WITH SUFFICIENT LENGTH TO ACHIEVE A 1 3/4" MINIMUM EMBEDMENT INTO SUBSTRATE WITH 2 1/2" MINIMUM EDGE DISTANCE AND 1 11/16" MINIMUM SEPARATION. LOCATE ANCHORS AS SHOWN IN ELEVATIONS AND INSTALLATION DETAILS.
- FOR WINDOW OR DOOR UNITS ANCHORING SCHEDULE REFER TO WINDOW OR DOOR APPROVED INSTALLATION INSTRUCTIONS. MULLION ANCHOR LOCATIONS ARE BASED ON TRAPEZOIDAL TRIBUTARY AREA. FOR INTERMEDIATE ANCHORS AT HEAD AND SILL REFER TO WINDOW OR DOOR APPROVED INSTALLATION INSTRUCTIONS. WINDOW OR DOOR UNITS MUST HAVE SEPARATE APPROVAL. SEPARATE WINDOW AND DOOR APPROVALS SHALL CONTAIN INTERMEDIATE ANCHORS AT HEAD & SILL.
- ALL FASTENERS TO BE CORROSION RESISTANT.
- INSTALLATION ANCHORS SHALL BE INSTALLED IN ACCORDANCE WITH ANCHOR MANUFACTURER'S INSTALLATION INSTRUCTIONS, AND ANCHORS SHALL NOT BE USED IN SUBSTRATES WITH STRENGTHS LESS THAN THE MINIMUM STRENGTH SPECIFIED BELOW:
 - WOOD - MINIMUM SPECIFIC GRAVITY OF G=0.42
 - CONCRETE - MINIMUM COMPRESSIVE STRENGTH OF 2846 PSI.
 - STEEL FRAMING 2X BACKED - 20GA. (.040" THICK) MINIMUM; Fy=33KSI/Fu=52KSI MINIMUM. ADEQUACY OF STEEL SUBSTRATE TO BE APPROVED BY BUILDING OFFICIAL.

SIGNED: 12/01/2017

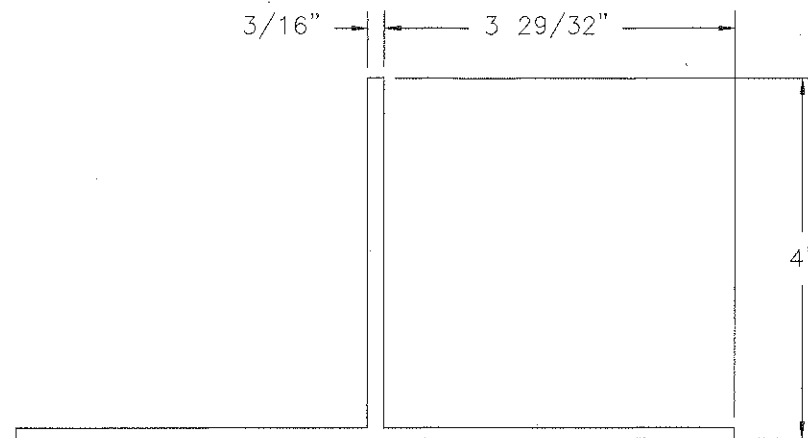
PRODUCT REVISED as complying with the Florida Building Code Acceptance No 17-1219-41 Expiration Date 02/16/22 By <i>[Signature]</i> Miami Dade Product Control	WinDoor INCORPORATED 7500 AMSTERDAM DRIVE ORLANDO, FL 32832 Phone: 407.481.8400 Fax: 407.481.9505 www.windowinc.com	
	SERIES V-100 ALUMINUM FIELD MULLION LARGE MISSILE IMPACT INSTALLATION DETAILS AND NOTES	
DRAWN: TJH	DWG NO. 08-01164	REV D
SCALE NTS	DATE 02/24/11	SHEET 2 OF 3

PARTS LIST				
NO.	PART NUMBER	DESCRIPTION	MANUFACTURER	MATERIAL
1	FH-06194	SERIES V-100 FIELD MULLION	KEYMARK	ALUMINUM 6005-T61
2	FS-03854	4" x 8" x 3/16" WALL T-CLIP	KEYMARK	ALUMINUM 6105-T5
3	116.211.1W/1	V-100 MULLION INTERIOR COVER	VEKA	RIGID PVC
4	116.210.1W/1	V-100 MULLION EXTERIOR COVER	VEKA	RIGID PVC

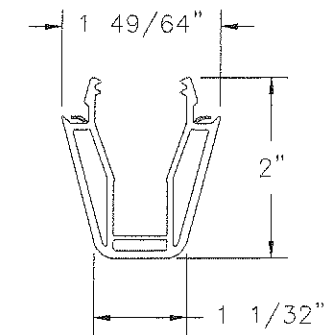
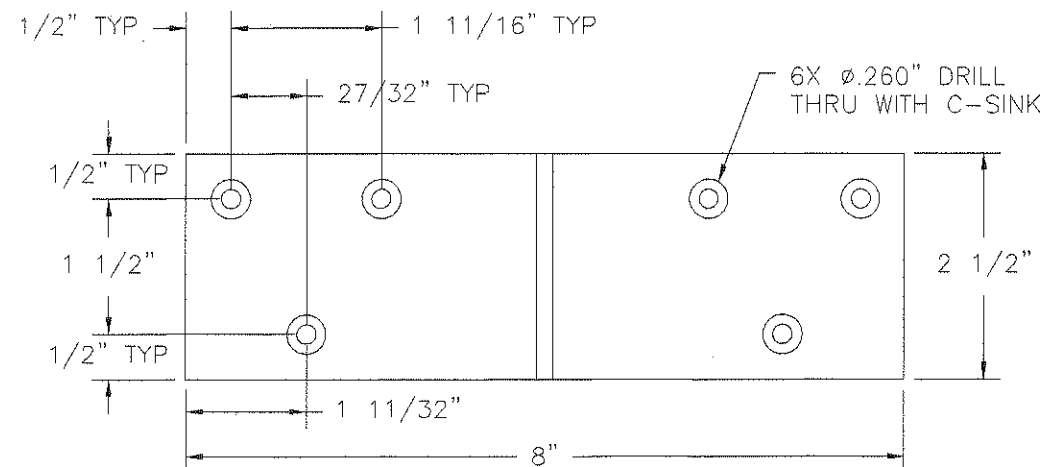
REVISIONS			
REV	DESCRIPTION	DATE	APPROVED
D	REVISED PER NEW REQUIREMENTS	12/01/17	R.L.



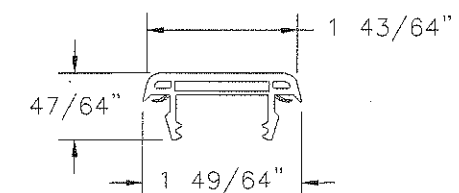
① **SERIES V-100 FIELD MULLION**
 EXTRUDED ALUMINUM 6005-T61 .125" THICK
 MOMENT OF INERTIA = 3.554 in⁴
 SECTION MODULUS = 1.697 in³



② **4" x 8" x 3/16" WALL T-CLIP**
 EXTRUDED ALUMINUM 6105-T5 .125" THICK



③ **V-100 MULLION INTERIOR COVER**
 EXTRUDED RIGID PVC .071" THICK



④ **V-100 MULLION EXTERIOR COVER**
 EXTRUDED RIGID PVC .071" THICK

SIGNED: 12/01/2017

PRODUCT REVISED
 as complying with the Florida
 Building Code
 Acceptance No 17-219.41
 Expiration Date 02/16/2022
 By *[Signature]*
 Miami Dade Product Control

WinDoor
 INCORPORATED

7500 AMSTERDAM DRIVE
 ORLANDO, FL 32832
 Phone: 407.481.8400
 Fax: 407.481.0505
 www.windoorinc.com

SERIES V-100 ALUMINUM FIELD MULLION
 LARGE MISSILE IMPACT
 BILL OF MATERIALS AND COMPONENTS

DRAWN: TJH	DWG NO. 08-01164	REV D
SCALE NTS	DATE 02/24/11	SHEET 3 OF 3

