



DEPARTMENT OF REGULATORY AND ECONOMIC RESOURCES (RER)  
BOARD AND CODE ADMINISTRATION DIVISION

**NOTICE OF ACCEPTANCE (NOA)**

MIAMI-DADE COUNTY  
PRODUCT CONTROL SECTION  
11805 SW 26 Street, Room 208  
T (786) 315-2590 F (786) 315-2599  
[www.miamidade.gov/economy](http://www.miamidade.gov/economy)

**Eurotech Industries, Inc.**  
4201 NE 12<sup>th</sup> Terrace  
Ft. Lauderdale, FL 33334

**SCOPE:**

This NOA is being issued under the applicable rules and regulations governing the use of construction materials. The documentation submitted has been reviewed and accepted by Miami-Dade County RER-Product Control Section to be used in Miami-Dade County and other areas where allowed by the Authority Having Jurisdiction (AHJ).

This NOA shall not be valid after the expiration date stated below. The Miami-Dade County Product Control Section (In Miami-Dade County) and/ or the AHJ (in areas other than Miami-Dade County) reserve the right to have this product or material tested for quality assurance purposes. If this product or material fails to perform in the accepted manner, the manufacturer will incur the expense of such testing and the AHJ may immediately revoke, modify, or suspend the use of such product or material within their jurisdiction. RER reserves the right to revoke this acceptance, if it is determined by Miami-Dade County Product Control Section that this product or material fails to meet the requirements of the applicable building code.

This product is approved as described herein, and has been designed to comply with the Florida Building Code, including the High Velocity Hurricane Zone.

**DESCRIPTION: Series "PW-800-32" Aluminum Fixed Window - L.M.I.**

**APPROVAL DOCUMENT:** Drawing No. **W08-01**, titled "Series PW-800 Alum. Fixed Window (L.M.I.)", sheets 1 through 5 of 5, dated 01/03/08, with revision **E** dated 12/11/17, prepared by Al-Farooq Corporation, signed and sealed by Javad Ahmad, P.E., bearing the Miami-Dade County Product Control Revision stamp with the Notice of Acceptance number and expiration date by the Miami-Dade County Product Control Section.

**MISSILE IMPACT RATING: Large and Small Missile Impact Resistant**

**LABELING:** Each unit shall bear a permanent label with the manufacturer's name or logo, city, state, model/ series, and following statement: "Miami-Dade County Product Control Approved", unless otherwise noted herein.

**RENEWAL** of this NOA shall be considered after a renewal application has been filed and there has been no change in the applicable building code negatively affecting the performance of this product.

**TERMINATION** of this NOA will occur after the expiration date or if there has been a revision or change in the materials, use, and/ or manufacture of the product or process. Misuse of this NOA as an endorsement of any product, for sales, advertising or any other purposes shall automatically terminate this NOA. Failure to comply with any section of this NOA shall be cause for termination and removal of NOA.

**ADVERTISEMENT:** The NOA number preceded by the words Miami-Dade County, Florida, and followed by the expiration date may be displayed in advertising literature. If any portion of the NOA is displayed, then it shall be done in its entirety.

**INSPECTION:** A copy of this entire NOA shall be provided to the user by the manufacturer or its distributors and shall be available for inspection at the job site at the request of the Building Official.

This NOA **revises and renews** NOA No. **15-0416.06** and consists of this page 1, evidence pages E-1, E-2 and E-3, as well as approval document mentioned above.

The submitted documentation was reviewed by **Sifang Zhao, P.E.**



S.2.  
02/23/2018

NOA No. 18-0116.01  
Expiration Date: March 27, 2023  
Approval Date: March 01, 2018  
Page 1

NOTICE OF ACCEPTANCE: EVIDENCE SUBMITTED

**1. EVIDENCE SUBMITTED UNDER PREVIOUS NOAs**

**A. DRAWINGS**

1. Manufacturer's die drawings and sections. *(Submitted under NOA No. 09-0929.13)*
2. Drawing No **W08-01**, titled "Series PW-800-32 Alum Fixed Window (L.M.I.)", sheets 1 through 5 of 05, dated 01/03/08, with revision **C** dated 02/27/15, prepared by Al-Farooq Corporation, signed and sealed by Javad Ahmad, P.E.

**B. TESTS**

1. Test reports on: 1) Large Missile Impact Test per FBC, TAS 201-94  
2) Cyclic Wind Pressure Loading per FBC, TAS 203-94  
along with marked-up drawings and installation diagram of aluminum fixed window, prepared by Hurricane Engineering & Testing, Inc., Test Report No. **HETI-09-2632**, dated 09/15/09, signed and sealed by Candido F. Font P.E.  
*(Submitted under NOA No. 09-0929.13)*
2. Test reports on: 1) Large Missile Impact Test per FBC, TAS 201-94  
2) Cyclic Wind Pressure Loading per FBC, TAS 203-94  
along with marked-up drawings and installation diagram of aluminum fixed window, prepared by Hurricane Engineering & Testing, Inc., Test Reports No.'s **HETI-07-4156, HETI-07-4157, HETI-07-4165** and **HETI-07-4166**, all dated 09/21/07, signed and sealed by Candido F. Font P.E.  
*(Submitted under NOA No. 08-0131.04)*
3. Test reports on: 1) Air Infiltration Test, per FBC, TAS 202-94  
2) Uniform Static Air Pressure Test, Loading per FBC, TAS 202-94  
3) Water Resistance Test, per FBC, TAS 202-94  
along with marked-up drawings and installation diagram of aluminum fixed window, prepared by Hurricane Engineering & Testing, Inc., Test Reports No.'s **HETI-07-4158, HETI-07-4160** and **HETI-07-4164**, dated 09/21/07, signed and sealed by Candido F. Font, P.E.  
*(Submitted under NOA No. 08-0131.04)*

**C. CALCULATIONS**

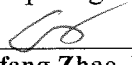
1. Anchor verification calculations and structural analysis, complying with **FBC 5<sup>th</sup> Edition (2014)**, dated 02/26/15, prepared by Al-Farooq Corporation, signed and sealed by Javad Ahmad, P.E.  
*(Submitted under NOA No. 13-0212.05)*
2. Glazing complies with **ASTM E1300-09**

**D. QUALITY ASSURANCE**

1. Miami-Dade Department of Regulatory and Economic Resources (RER).

**E. MATERIAL CERTIFICATIONS**

1. Notice of Acceptance No. **14-0916.11** issued to **Kuraray America, Inc.** for their "**SentryGlas® (Clear and White) Glass Interlayers**" dated 06/25/15, expiring on 07/04/18.

  
Sifang Zhao, P.E.  
Product Control Examiner  
NOA No. 18-0116.01  
Expiration Date: March 27, 2023  
Approval Date: March 01, 2018

**Eurotech Industries, Inc.**

**NOTICE OF ACCEPTANCE: EVIDENCE SUBMITTED**

**E. MATERIAL CERTIFICATIONS (CONTINUED)**

2. Notice of Acceptance No. **14-0423.15** issued to **Eastman Chemical Company (MA)** for their “**Saflex CP – Saflex and Saflex HP Composite Glass Interlayers with PET Core**” dated 06/19/14, expiring on 12/11/18.

**F. STATEMENTS**

1. Statement letter of conformance, complying with **FBC 5<sup>th</sup> Edition (2014)**, and of no financial interest, dated March 2, 2015, issued by Al-Farooq Corporation, signed and sealed by Javad Ahmad, P.E. *(Submitted under NOA No. 13-0212.05)*
2. Laboratory compliance letter for Test Report No. **HETI-09-2632**, issued by Hurricane Engineering & Testing, Inc., dated 09/15/09, signed and sealed by Candido F. Font, P.E. *(Submitted under NOA No. 09-0929.13)*
3. Laboratory compliance letters for Test Reports No.’s **HETI-07-4156, HETI-07-4157, HETI-07-4165, HETI-07-4166, HETI-07-4158, HETI-07-4160** and **HETI-07-4164**, issued by Hurricane Engineering & Testing, Inc., all dated 09/21/07, signed and sealed by Candido F. Font, P.E. *(Submitted under NOA No. 08-0131.04)*

**G. OTHERS**

1. None.

**2. NEW EVIDENCE SUBMITTED**

**A. DRAWINGS**

1. Drawing No **W08-01**, titled “Series PW-800-32 Alum Fixed Window (L.M.I.)”, sheets 1 through 5 of 05, dated 01/03/08, with revision **E** dated 12/11/17, prepared by Al-Farooq Corporation, signed and sealed by Javad Ahmad, P.E.

**B. TESTS**

1. None.

**C. CALCULATIONS**


1. Anchor verification calculations, complying with **FBC 6<sup>th</sup> Edition (2017)**, dated 03/03/2018, prepared by Al-Farooq Corporation, signed and sealed by Javad Ahmad, P.E.

**D. QUALITY ASSURANCE**

1. Miami-Dade Department of Regulatory and Economic Resources (RER).

**E. MATERIAL CERTIFICATIONS**

1. Notice of Acceptance No. **17-0808.02** issued to **Kuraray America, Inc.** for their “**SentryGlas® (Clear and White) Glass Interlayers**” dated 12/28/17, expiring on 07/04/23.

  
Sifang Zhao, P.E.

Product Control Examiner

NOA No. 18-0116.01

Expiration Date: March 27, 2023

Approval Date: March 01, 2018

**Eurotech Industries, Inc.**

**NOTICE OF ACCEPTANCE: EVIDENCE SUBMITTED**

**E. MATERIAL CERTIFICATIONS (CONTINUED)**

2. Notice of Acceptance No. **17-0712.03** issued to **Eastman Chemical Company (MA)** for their "**Saflex CP - Saflex and Saflex HP Composite Glass Interlayers with PET Core**" dated 09/07/17, expiring on 12/11/18.

**F. STATEMENTS**

1. Statement letter of conformance, complying with **FBC 6<sup>th</sup> Edition (2017)**, and of no financial interest, dated October 10, 2017, issued by Al-Farooq Corporation, signed and sealed by Javad Ahmad, P.E.

**G. OTHERS**

1. Notice of Acceptance No. **15-0416.06**, issued to Eurotech Industries, Inc. for their Series "**PW-800-32**" Aluminum Fixed Window - L.M.I., approved on 08/06/15 and expiring on 03/27/18.



---

Sifang Zhao, P.E.

Product Control Examiner

NOA No. 18-0116.01

Expiration Date: March 27, 2023

Approval Date: March 01, 2018

**SERIES PW-800-32 ALUMINUM FIXED WINDOW**

DESIGN LOAD RATINGS FOR THESE WINDOWS TO BE AS PER CHARTS SHOWN ON SHEET 2.

APPROVAL APPLIES TO SINGLE UNITS OR SIDE BY SIDE COMBINATIONS OF FIX./FIX. OR FIX. WDW. WITH OTHER MIAMI-DADE COUNTY APPROVED WINDOWS USING MIAMI-DADE COUNTY APPROVED MULLIONS IN BETWEEN.

LOWER DESIGN PRESSURE FROM WINDOWS OR MULLION APPROVAL WILL APPLY TO ENTIRE SYSTEM.

THIS PRODUCT HAS BEEN DESIGNED AND TESTED TO COMPLY WITH THE REQUIREMENTS OF THE 2017 (6TH EDITION) FLORIDA BUILDING CODE INCLUDING HIGH VELOCITY HURRICANE ZONE (HVHZ).

1BY OR 2BY WOOD BUCKS & BUCK FASTENERS BY OTHERS, MUST BE DESIGNED AND INSTALLED ADEQUATELY TO TRANSFER APPLIED PRODUCT LOADS TO THE BUILDING STRUCTURE.

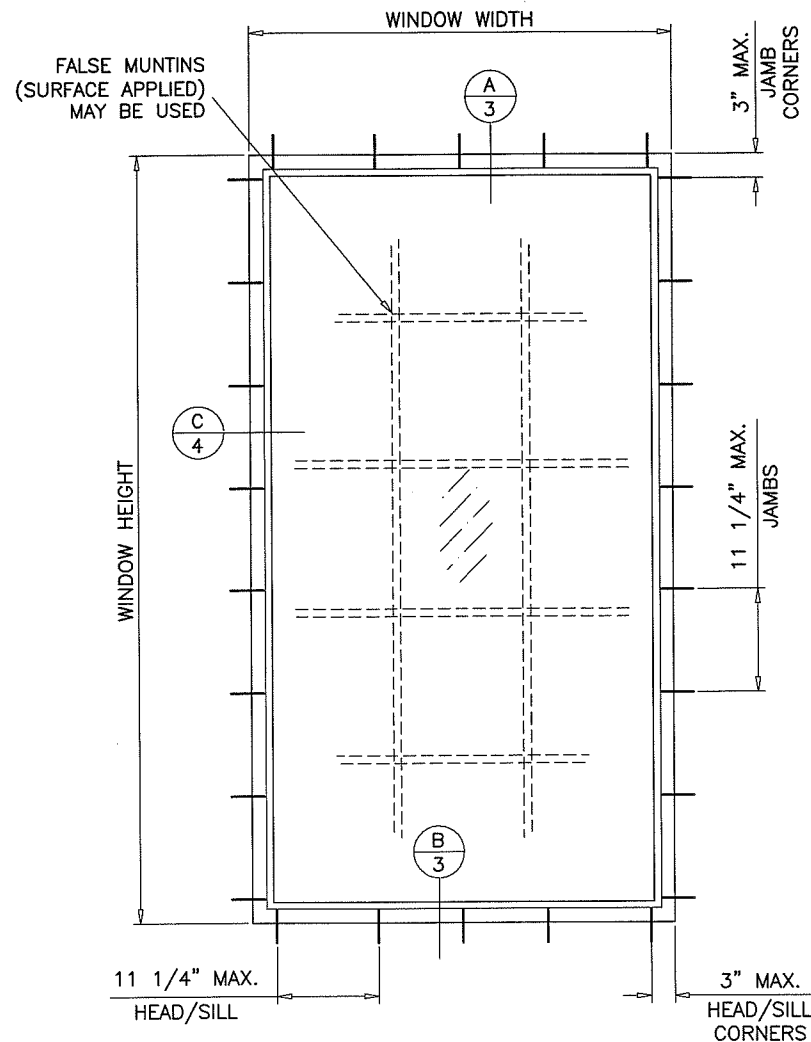
ANCHORS SHALL BE CORROSION RESISTANT, SPACED AS SHOWN ON DETAILS AND INSTALLED PER MANUF'S INSTRUCTIONS. SPECIFIED EMBEDMENT TO BASE MATERIAL SHALL BE BEYOND WALL DRESSING OR STUCCO.

A LOAD DURATION INCREASE IS USED IN DESIGN OF ANCHORS INTO WOOD ONLY.

ALL SHIMS TO BE HIGH IMPACT, NON-METALLIC AND NON-COMPRESSIBLE.

MATERIALS INCLUDING BUT NOT LIMITED TO STEEL/METAL SCREWS, THAT COME INTO CONTACT WITH OTHER DISSIMILAR MATERIALS SHALL MEET THE REQUIREMENTS OF THE 2017 FLORIDA BLDG. CODE & ADOPTED STANDARDS.

THIS PRODUCT APPROVAL IS GENERIC AND DOES NOT PROVIDE INFORMATION FOR A SITE SPECIFIC PROJECT, i.e. LIFE SAFETY OF THIS PRODUCT, ADEQUACY OF STRUCTURE RECEIVING THIS PRODUCT AND SEALING AROUND OPENING FOR WATER INFILTRATION RESISTANCE ETC. CONDITIONS NOT SHOWN IN THIS DRAWING ARE TO BE ANALYZED SEPARATELY, AND TO BE REVIEWED BY BUILDING OFFICIAL.



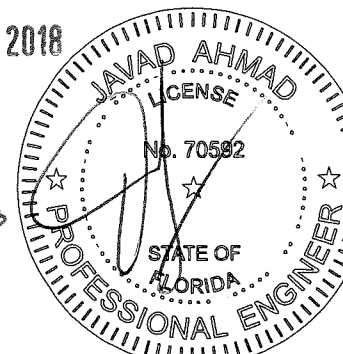
**TYPICAL ELEVATION**

THESE WINDOWS ARE RATED FOR LARGE & SMALL MISSILE IMPACT. SHUTTERS ARE NOT REQUIRED.

PRODUCT REVISED as complying with the Florida Building Code  
 Acceptance No 18-011601  
 Expiration Date 03/27/2023

By *[Signature]*  
 Miami Dade Product Control

JAN 03 2018



**af c**  
**AL-FAROOQ CORPORATION**  
 ENGINEERS & PRODUCT DEVELOPMENT  
 9360 SUNSET DRIVE, SUITE 220 (C.A.N. 3538)  
 MIAMI, FLORIDA 33173  
 TEL. (305) 264-8100 FAX. (305) 262-6978  
 COMP-ANL\W08-01EWD

SERIES PW-800-32 ALUM FIXED WINDOW (L.M.I.)  
**Eurotech Industries Inc.**  
 4201 N.E. 12th Terrace  
 Oakland Park, Florida 33334  
 Tel. (954) 630-9967 Fax. (954) 630-0217

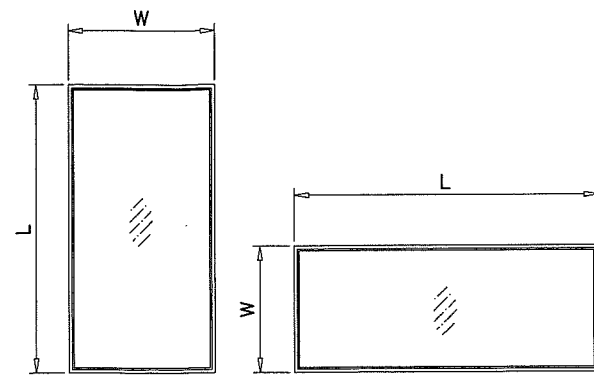
no	date	by	description
A	09.24.09		GENERAL REVISION
B	12.01.09		REV. PER BCCO COMMENTS
C	01.30.12		UPDATED TO 2010 FBC
D	02.27.15		UPDATED TO 2014 FBC
E	12.11.17		UPDATED TO 2017 FBC

date: 01-03-08  
 scale: 1/2"=1'-0"  
 dr. by: TARIQ  
 chk. by:

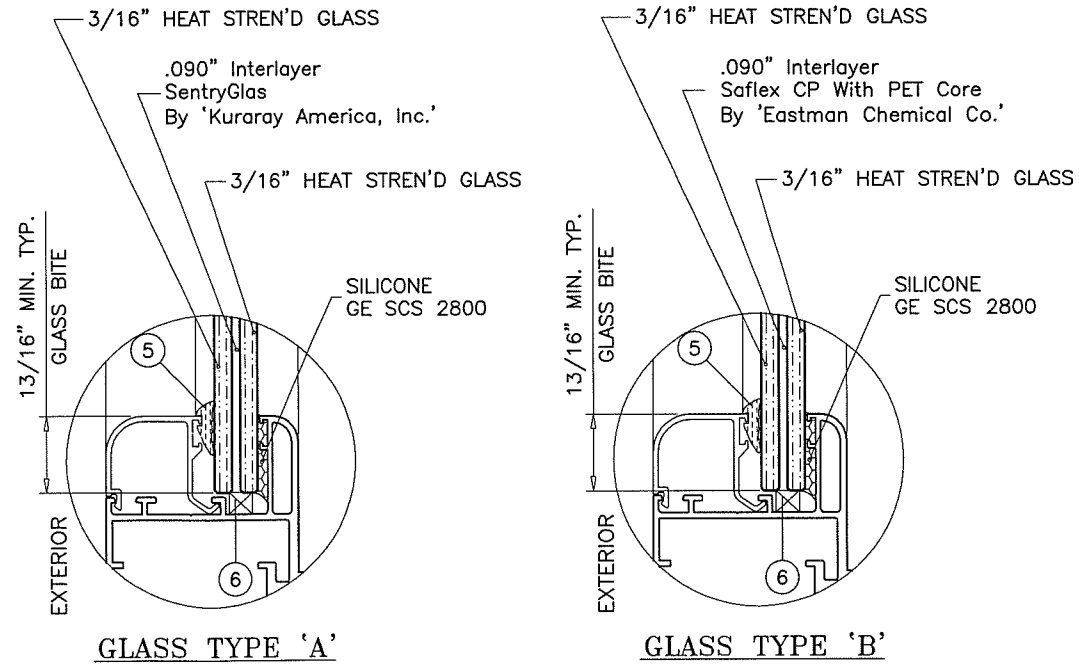
drawing no. **W08-01**  
 sheet 1 of 5

DESIGN LOAD CAPACITY - PSF					
WINDOW DIMS.		GLASS TYPE 'A'		GLASS TYPE 'B'	
WIDTH	LENGTH	EXT.(+)	INT.(-)	EXT.(+)	INT.(-)
26-1/2"	26"	110.0	110.0	62.0	62.0
32"		110.0	110.0	62.0	62.0
37"		110.0	110.0	62.0	62.0
42"		110.0	110.0	62.0	62.0
48"		110.0	110.0	62.0	62.0
53-1/8"		110.0	110.0	62.0	62.0
26-1/2"	38-3/8"	110.0	110.0	62.0	62.0
32"		110.0	110.0	62.0	62.0
37"		110.0	110.0	62.0	62.0
42"		110.0	110.0	62.0	62.0
48"		110.0	110.0	62.0	62.0
53-1/8"		110.0	110.0	62.0	62.0
26-1/2"	50-5/8"	110.0	110.0	62.0	62.0
32"		110.0	110.0	62.0	62.0
37"		110.0	110.0	62.0	62.0
42"		110.0	110.0	62.0	62.0
48"		110.0	110.0	62.0	62.0
53-1/8"		104.8	104.8	58.8	58.8
26-1/2"	63"	110.0	110.0	62.0	62.0
32"		110.0	110.0	62.0	62.0
37"		110.0	110.0	62.0	62.0
42"		110.0	110.0	62.0	62.0
48"		110.0	110.0	62.0	62.0
53-1/8"		99.4	99.4	56.0	56.0
26-1/2"	74-1/4"	110.0	110.0	62.0	62.0
32"		110.0	110.0	62.0	62.0
37"		110.0	110.0	62.0	62.0
42"		110.0	110.0	62.0	62.0
48"		75.0	75.0	62.0	62.0
53-1/8"		67.8	67.8	56.0	56.0
26-1/2"	78"	110.0	110.0	62.0	62.0
32"		110.0	110.0	62.0	62.0
37"		110.0	110.0	62.0	62.0
42"		110.0	110.0	62.0	62.0
48"		75.0	75.0	62.0	62.0
53-1/8"		67.8	67.8	56.0	56.0
26-1/2"	84"	110.0	110.0	62.0	62.0
32"		110.0	110.0	62.0	62.0
37"		110.0	110.0	62.0	62.0
42"		110.0	110.0	62.0	62.0
48"		75.0	75.0	62.0	62.0
53-1/8"		67.8	67.8	56.0	56.0
26-1/2"	96"	110.0	110.0	62.0	62.0
32"		110.0	110.0	62.0	62.0
37"		110.0	110.0	62.0	62.0
42"		75.0	75.0	62.0	62.0
48"		75.0	75.0	62.0	62.0

DESIGN LOAD CAPACITY - PSF					
WINDOW DIMS.		GLASS TYPE 'A'		GLASS TYPE 'B'	
WIDTH	LENGTH	EXT.(+)	INT.(-)	EXT.(+)	INT.(-)
24"	48"	110.0	110.0	62.0	62.0
30"		110.0	110.0	62.0	62.0
36"		110.0	110.0	62.0	62.0
42"		110.0	110.0	62.0	62.0
48"		110.0	110.0	62.0	62.0
54"		110.0	110.0	62.0	62.0
60"		110.0	110.0	62.0	62.0
24"	60"	110.0	110.0	62.0	62.0
30"		110.0	110.0	62.0	62.0
36"		110.0	110.0	62.0	62.0
42"		110.0	110.0	62.0	62.0
48"		110.0	110.0	62.0	62.0
54"		97.8	97.8	55.1	55.1
60"		60.0	60.0	49.6	49.6
24"	72"	110.0	110.0	62.0	62.0
30"		110.0	110.0	62.0	62.0
36"		110.0	110.0	62.0	62.0
42"		110.0	110.0	62.0	62.0
48"		110.0	110.0	62.0	62.0
54"		66.7	66.7	55.1	55.1
60"		60.0	60.0	49.6	49.6
24"	84"	110.0	110.0	62.0	62.0
30"		110.0	110.0	62.0	62.0
36"		110.0	110.0	62.0	62.0
42"		110.0	110.0	62.0	62.0
48"		75.0	75.0	62.0	62.0
54"		66.7	66.7	55.1	55.1
24"	96"	110.0	110.0	62.0	62.0
30"		110.0	110.0	62.0	62.0
36"		110.0	110.0	62.0	62.0
42"		75.0	75.0	62.0	62.0
48"		75.0	75.0	62.0	62.0
54"		75.0	75.0	62.0	62.0
24"	108"	110.0	110.0	62.0	62.0
30"		110.0	110.0	62.0	62.0
36"		75.0	75.0	62.0	62.0
42"		75.0	75.0	62.0	62.0
48"		75.0	75.0	62.0	62.0
54"		75.0	75.0	62.0	62.0
24"	120"	110.0	110.0	62.0	62.0
30"		75.0	75.0	62.0	62.0
36"		75.0	75.0	62.0	62.0
42"		75.0	75.0	62.0	62.0



NOTE:  
WIDTH AND LENGTH DIMENSIONS CAN BE ORIENTED VERTICALLY OR HORIZONTALLY AS SHOWN ABOVE.

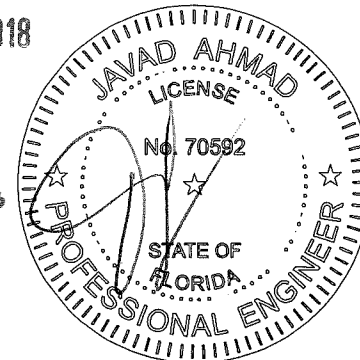


GLAZING OPTIONS

NOTE:  
GLASS CAPACITIES ON THIS SHEET ARE BASED ON ASTM E1300-09 (3 SEC. GUSTS).

JAN 03 2018

PRODUCT REVISED  
as complying with the Florida  
Building Code  
Acceptance No. 18-016.01  
Expiration Date 03/27/2023  
By: Miami Dade Product Control



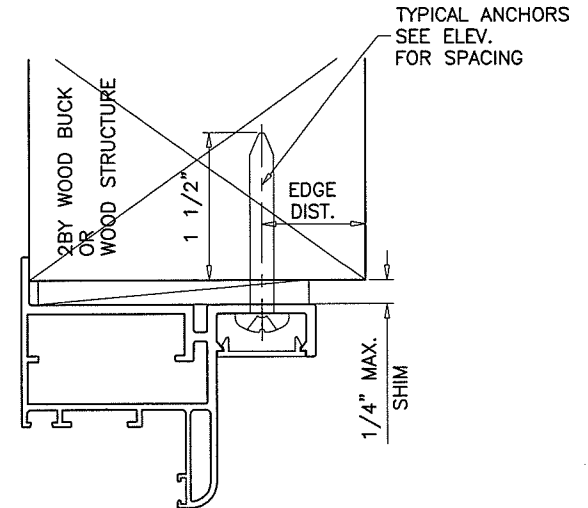
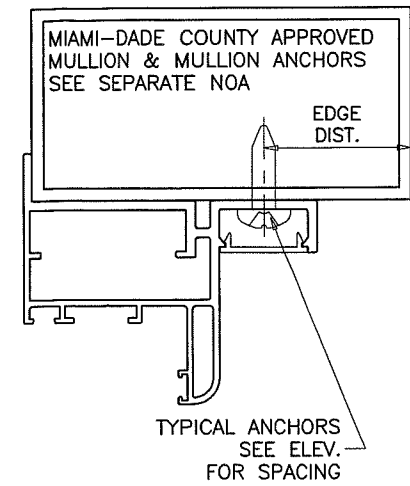
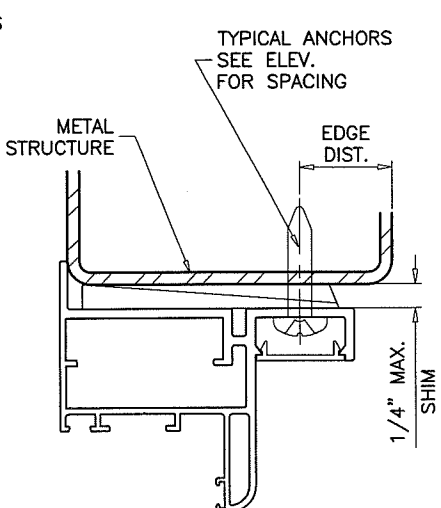
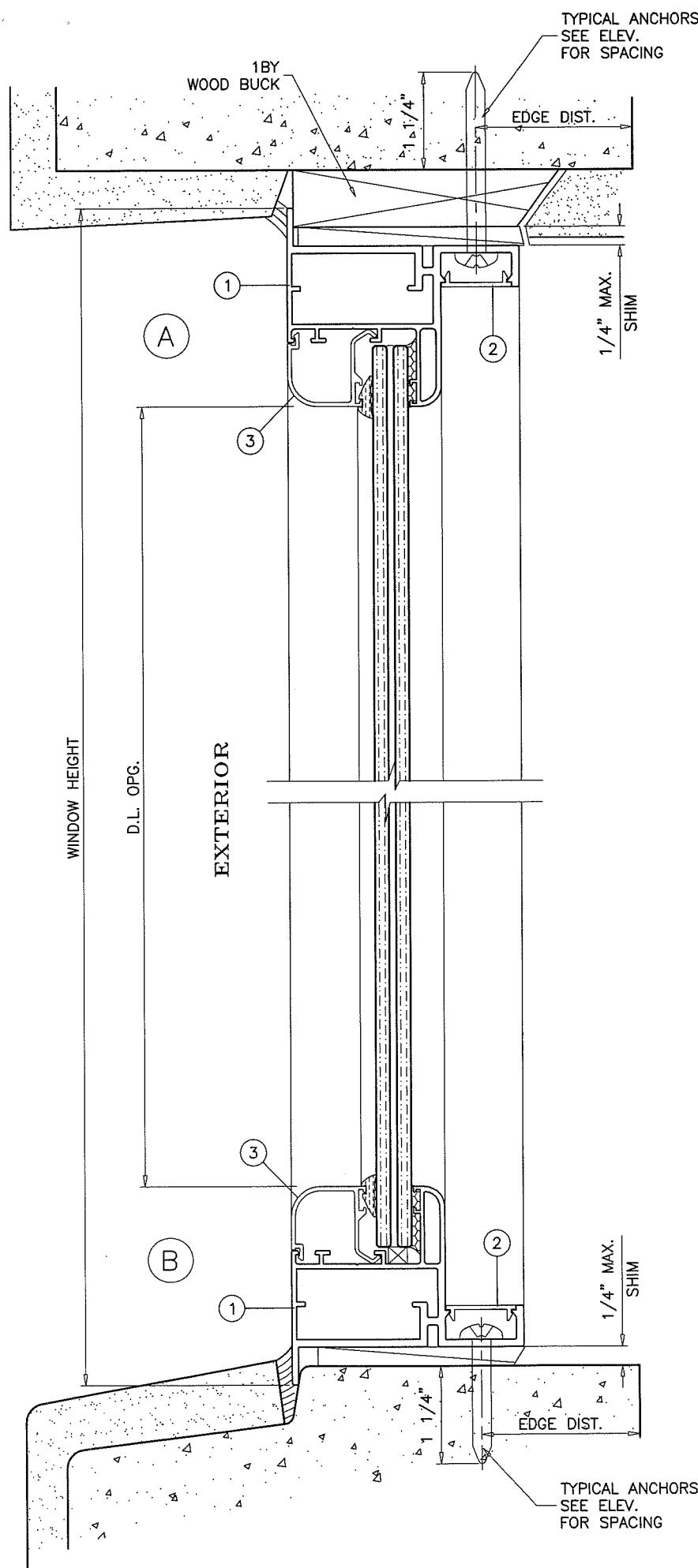
**af c**  
**AL-FAROOQ CORPORATION**  
ENGINEERS & PRODUCT DEVELOPMENT  
9360 SUNSET DRIVE, SUITE 220 (C.A.N. 3538)  
MIAMI, FLORIDA 33173 FAX. (305) 262-6978  
TEL. (305) 264-8100

SERIES PW-800-32 ALUM FIXED WINDOW (L.M.I.)  
**Eurotech Industries Inc.**  
4201 N.E. 12th Terrace  
Oakland Park, Florida 33334  
Tel. (954) 630-9967 Fax. (954) 630-0217

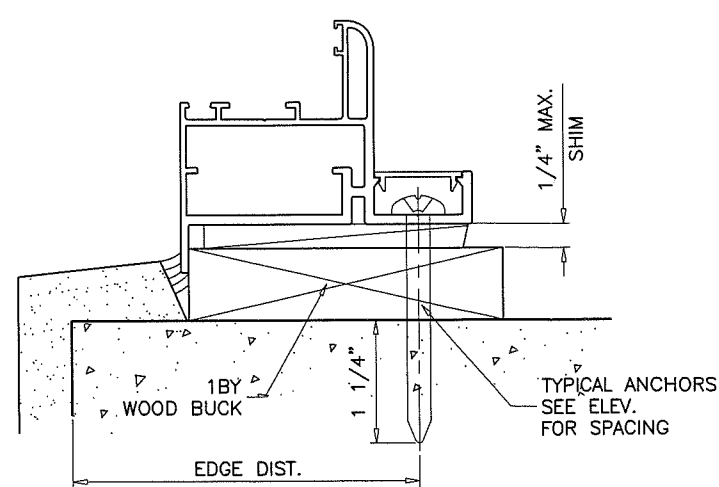
no.	date	description
A	09.24.09	GENERAL REVISION
B	12.01.09	REV. PER BCCO COMMENTS
C	01.30.12	UPDATED TO 2010 FBC
D	02.27.15	UPDATED TO 2014 FBC
E	12.11.17	UPDATED TO 2017 FBC

date: 01-03-08  
scale: 1/2" = 1"  
dr. by: TARIQ  
chk. by:  
drawing no. W08-01  
sheet 2 of 5

COMP-ANL\W08-01EWD



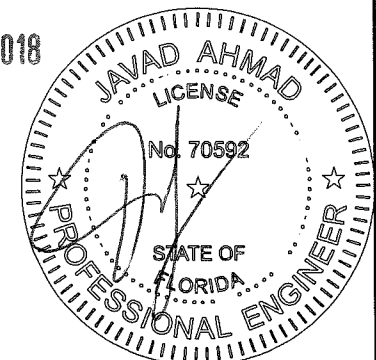
WOOD BUCKS AND METAL STRUCTURE NOT BY EUROTECH MUST SUSTAIN LOADS IMPOSED BY GLAZING SYSTEM AND TRANSFER THEM TO THE BUILDING STRUCTURE.



**TYPICAL ANCHORS:** SEE ELEV. FOR SPACING  
 1/4" DIA. ULTRACON BY 'ELCO' (Fu=177 KSI, Fy=155 KSI)  
 INTO 2BY WOOD BUCKS OR WOOD STRUCTURES  
 1-1/2" MIN. PENETRATION INTO WOOD (HEAD/SILL/JAMBS)  
 THRU 1BY BUCKS INTO CONC. OR BLOCKS  
 1-1/4" MIN. EMBED INTO CONCRETE (HEAD/SILL/JAMBS)  
 1-1/4" MIN. EMBED INTO BLOCKS (JAMBS)  
 DIRECTLY INTO CONCRETE OR BLOCKS  
 1-1/4" MIN. EMBED INTO CONCRETE (HEAD/SILL/JAMBS)  
 1-1/4" MIN. EMBED INTO BLOCKS (JAMBS)  
**#14 SMS OR SELF DRILLING SCREWS** (GRADE 2 CRS)  
 INTO MIAMI-DADE COUNTY APPROVED MULLIONS  
 OR  
 INTO METAL STRUCTURES (HEAD/SILL/JAMBS)  
 (3) THREADS MIN. TO EXTEND BEYOND METAL THICKNESS  
 ALUMINUM: 1/8" THK. MIN. (6063-T5 MIN.)  
 STEEL: 1/8" THK. MIN. (Fy = 36 KSI MIN.)  
 (STEEL IN CONTACT WITH ALUMINUM TO BE PLATED OR PAINTED)  
**TYPICAL EDGE DISTANCE**  
 INTO CONCRETE AND BLOCKS = 2-1/2" MIN.  
 INTO WOOD STRUCTURE = 1" MIN.  
 INTO METAL STRUCTURE = 3/4" MIN.  
 WOOD AT HEAD, SILL OR JAMBS SG = 0.55 MIN.  
 CONCRETE AT HEAD, SILL OR JAMBS f'c = 3000 PSI MIN.  
 C-90 HOLLOW/FILLED BLOCK AT JAMBS f'm = 2000 PSI MIN.

**SEALANTS:**  
 ALL JOINTS AND FRAME CONNECTIONS SEALED WITH  
 CRL SMALL JOINT SEALER.

JAN 03 2018  
 PRODUCT REVISED  
 as complying with the Florida  
 Building Code  
 Acceptance No 18-0116.01  
 Expiration Date 03/27/2023  
 By [Signature]  
 Miami Dade Product Control



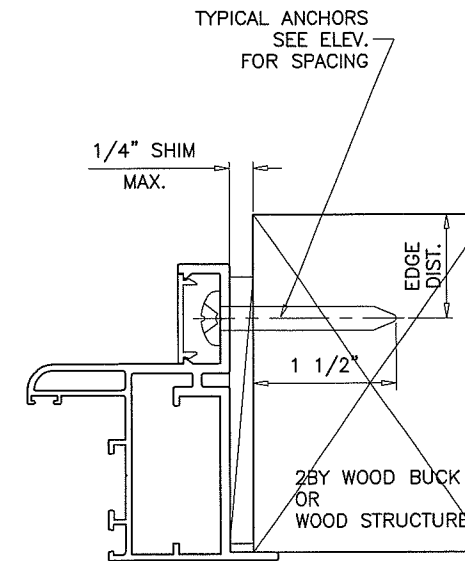
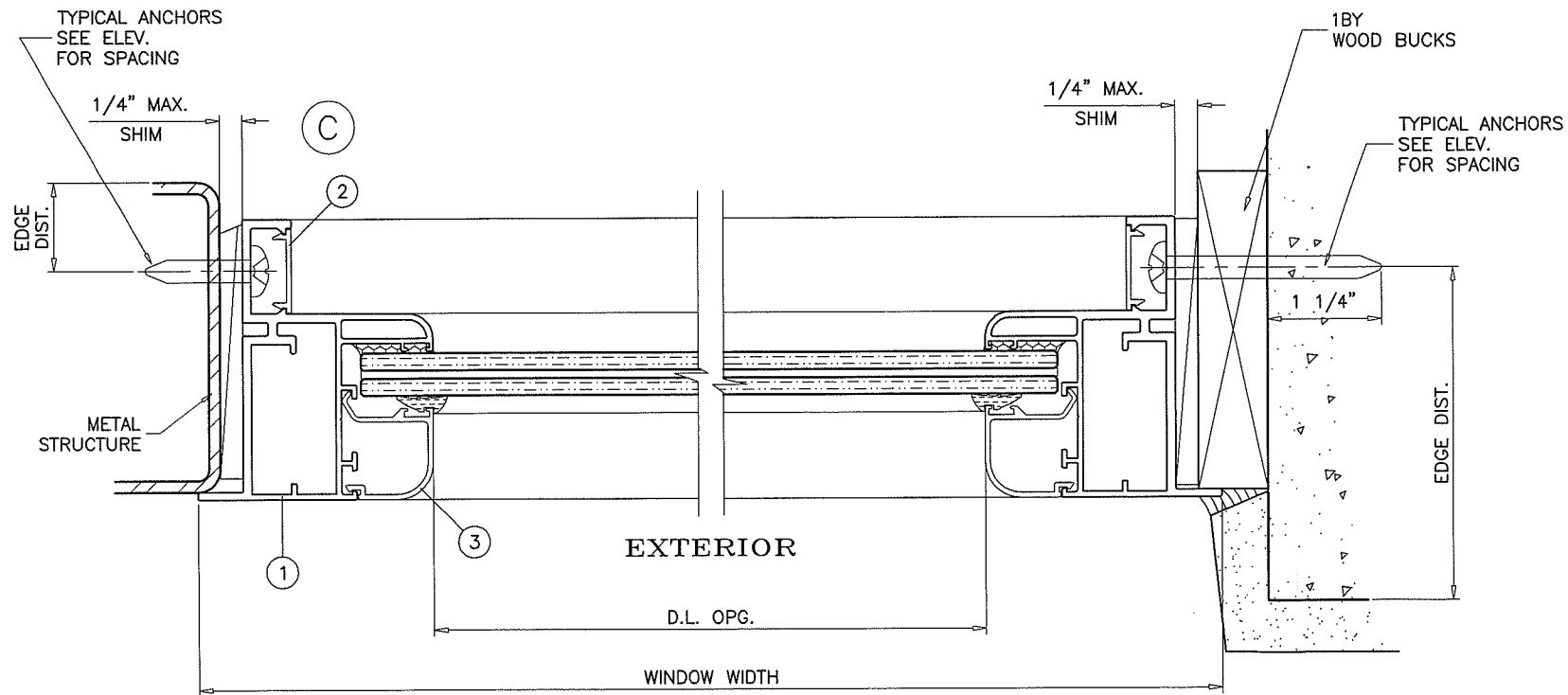
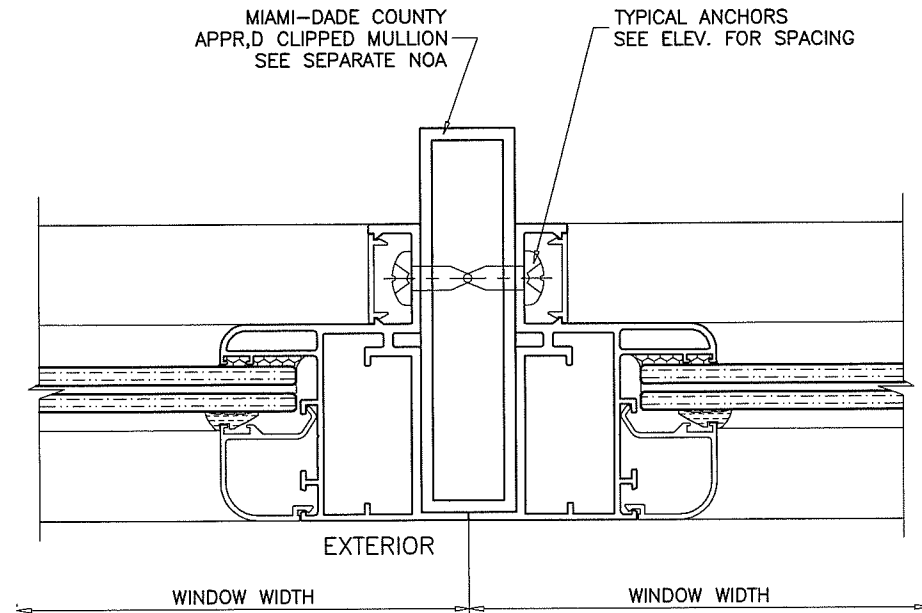
**af c**  
**AL-FAROOQ CORPORATION**  
 ENGINEERS & PRODUCT DEVELOPMENT  
 9360 SUNSET DRIVE, SUITE 220  
 MIAMI, FLORIDA 33173 (C.A.N. 3538)  
 TEL. (305) 264-8100 FAX. (305) 262-6978  
 COMP-ANL\W08-01EWD

SERIES PW-800-32 ALUM FIXED WINDOW (L.M.I.)  
**Eurotech Industries Inc.**  
 4201 N.E. 12th Terrace  
 Oakland Park, Florida 33334  
 Tel. (954) 630-9967 Fax. (954) 630-0217

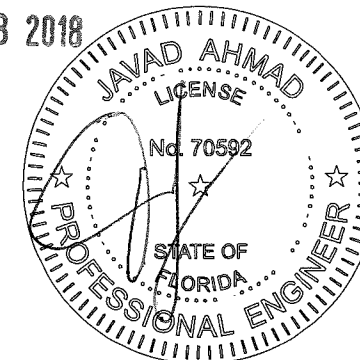
revisions:

no	date	description
A	09.24.09	GENERAL REVISION
B	12.01.09	REV. PER BCCO COMMENTS
C	01.30.12	NO CHANGE THIS SHEET
D	02.27.15	UPDATED TO 2014 FBC
E	12.11.17	UPDATED TO 2017 FBC

date: 01-03-08  
 scale: 1/2" = 1"  
 dr. by: TARIQ  
 chk. by:  
 drawing no.  
**W08-01**  
 sheet 3 of 5



PRODUCT REVISED  
 as complying with the Florida  
 Building Code  
 Acceptance No 18-0116.01  
 Expiration Date 03/27/2023  
 By [Signature]  
 Miami Dade Product Control



JAN 03 2018

**afc**

**AL-FAROOQ CORPORATION**  
 ENGINEERS & PRODUCT DEVELOPMENT  
 9360 SUNSET DRIVE, SUITE 220 (C.A.N. 3538)  
 MIAMI, FLORIDA 33173  
 TEL. (305) 264-8100 FAX. (305) 262-6978

COMP-ANL \ W08-01EWD

SERIES PW-800-32 ALUM FIXED WINDOW (L.M.I.)  
**Eurotech Industries Inc.**  
 4201 N.E. 12th Terrace  
 Oakland Park, Florida 33334  
 Tel. (954) 630-9967 Fax. (954) 630-0217

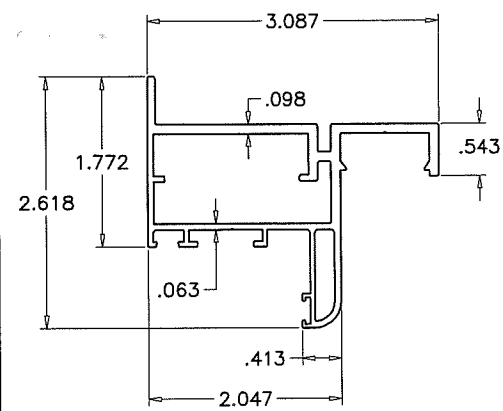
revisions:	no	date	description
	A	09.24.09	GENERAL REVISION
	B	12.01.09	NO CHANGE THIS SHEET
	C	01.30.12	NO CHANGE THIS SHEET
	D	02.27.15	UPDATED TO 2014 FBC
	E	12.11.17	UPDATED TO 2017 FBC

date: 01-03-08  
 scale: 1/2" = 1"  
 dr. by: TARIQ  
 chk. by:

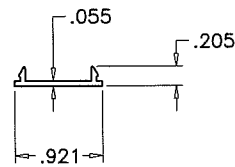
drawing no.  
**W08-01**

sheet 4 of 5

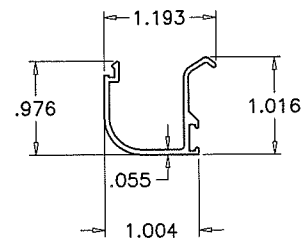




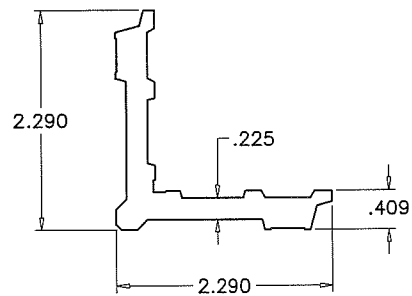
① FRAME



② FRAME COVER (OPTIONAL)

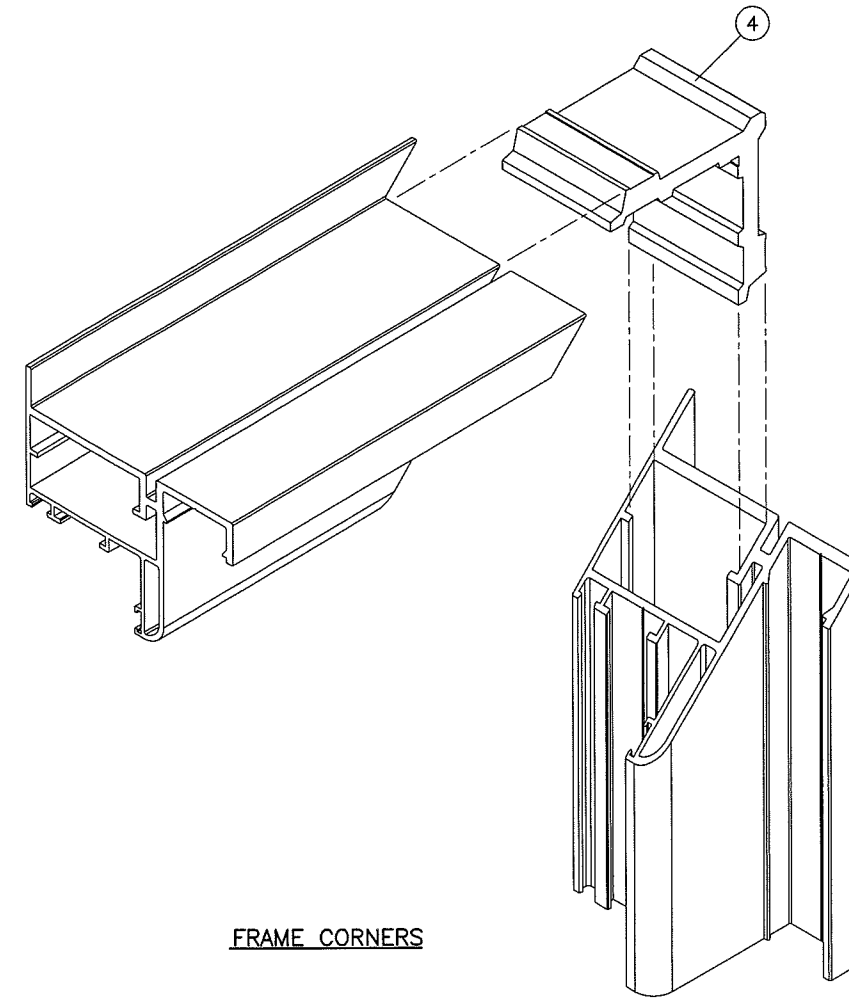


③ GLAZING BEAD



④ CORNER KEY

ITEM	PART #	QUANTITY	DESCRIPTION	MATERIAL	MANF./SUPPLIER/REMARKS
1	ER 014	4	WINDOW FRAME	6063-T6	-
2	HW 013	4	FRAME COVER (OPTIONAL)	6063-T6	-
3	ER 015	4	GLAZING BEAD	6063-T6	-
4	-	4	CORNER KEY	6063-T5	-
5	-	4	WEDGE GASKET (75 DUROMETER)	EPDM	-
6	-	2/ LITE	SETTING BLOCKS AT 1/4 POINTS (1/4" X 1/4" X 2" LONG)	EPDM	DUROMETER 80±5 SHORE A
7	-	-	-	-	-



FRAME CORNERS

**af c**  
**AL-FAROOQ CORPORATION**  
 ENGINEERS & PRODUCT DEVELOPMENT  
 9360 SUNSET DRIVE, SUITE 220  
 MIAMI, FLORIDA 33173 (C.A.N. 3538)  
 TEL. (305) 264-8100 FAX. (305) 262-6978  
 COMP-ANL\W08-01EWD

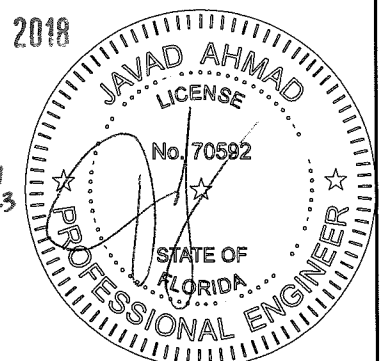
SERIES PW-800-32 ALUM FIXED WINDOW (L.M.I.)  
**Eurotech Industries Inc.**  
 4201 N.E. 12th Terrace  
 Oakland Park, Florida 33334  
 Tel. (954) 630-9967 Fax. (954) 630-0217

no	date	by	description
A	09.24.09		GENERAL REVISION
B	12.01.09		REV. PER BCCO COMMENTS
C	01.30.12		NO CHANGE THIS SHEET
D	02.27.15		UPDATED TO 2014 FBC
E	12.11.17		UPDATED TO 2017 FBC

JAN 03 2018

PRODUCT REVISED  
 as complying with the Florida  
 Building Code  
 Acceptance No 18-0116.01  
 Expiration Date 02/27/2023

By [Signature]  
 Miami Dade Product Control



date: 01-03-08  
 scale: 1/2" = 1"  
 dr. by: TARIQ  
 chk. by:

drawing no.  
**W08-01**  
 sheet 5 of 5