



DEPARTMENT OF REGULATORY AND ECONOMIC RESOURCES (RER)
 BOARD AND CODE ADMINISTRATION DIVISION
NOTICE OF ACCEPTANCE (NOA)

Eurotech Industries, Inc.
4201 NE 12 Terrace
Fort Lauderdale, FL 33334

SCOPE:

This NOA is being issued under the applicable rules and regulations governing the use of construction materials. The documentation submitted has been reviewed and accepted by Miami-Dade County RER -Product Control Section to be used in Miami Dade County and other areas where allowed by the Authority Having Jurisdiction (AHJ).

This NOA shall not be valid after the expiration date stated below. The Miami-Dade County Product Control Section (In Miami Dade County) and/or the AHJ (in areas other than Miami Dade County) reserve the right to have this product or material tested for quality assurance purposes. If this product or material fails to perform in the accepted manner, the manufacturer will incur the expense of such testing and the AHJ may immediately revoke, modify, or suspend the use of such product or material within their jurisdiction. RER reserves the right to revoke this acceptance, if it is determined by Miami-Dade County Product Control Section that this product or material fails to meet the requirements of the applicable building code.

This product is approved as described herein, and has been designed to comply with the Florida Building Code, including the High Velocity Hurricane Zone.

DESCRIPTION: Aluminum Outswing Entrance Door-LMI

APPROVAL DOCUMENT: Drawing No. **W04-01 Rev F**, titled "Aluminum Outswing Entrance Door", sheets 1, 1.1, 2 through 5 of 5, dated 01/15/04 and last revised on MAY 08, 2018, prepared by AL-Farooq Corporation, signed and sealed by Javad Ahmad, P.E., bearing the Miami-Dade County Product Control Revision stamp with the Notice of Acceptance number and expiration date by the Miami-Dade County Product Control Section.

MISSILE IMPACT RATING: Large and Small Missile Impact

Limitations:

1. See Design Pressure (DP) capacity Single doors & Double doors VS locks + bolts, glazing types and water ratings in sheet 2. Higher DP Single/Double Doors at **active** leaf require 3-point lock and manual Flush bolts at top/bottom.
2. Single or double doors may be mullied with approved clipped mullion or sidelites or transom (under separate approvals), lower design rating shall apply and such installation to be reviewed & approved by AHJ.

LABELING: Each unit shall bear a permanent label with the manufacturer's name or logo, city, state and series and following statement: "Miami-Dade County Product Control Approved", noted herein.

RENEWAL of this NOA shall be considered after a renewal application has been filed and there has been no change in the applicable building code negatively affecting the performance of this product.

TERMINATION of this NOA will occur after the expiration date or if there has been a revision or change in the materials, use, and/or manufacture of the product or process. Misuse of this NOA as an endorsement of any product, for sales, advertising or any other purposes shall automatically terminate this NOA. Failure to comply with any section of this NOA shall be cause for termination and removal of NOA.

ADVERTISEMENT: The NOA number preceded by the words Miami-Dade County, Florida, and followed by the expiration date may be displayed in advertising literature. If any portion of the NOA is displayed, then it shall be done in its entirety.

INSPECTION: A copy of this entire NOA shall be provided to the user by the manufacturer or its distributors and shall be available for inspection at the job site at the request of the Building Official.

This NOA **revises** NOA # **15-0729.14** and consists of this page 1 and evidence pages E-1 & E-2, as well as approval document mentioned above.


The submitted documentation was reviewed by **Ishaq I. Chanda, P.E.**



✗
5/16/18

NOTICE OF ACCEPTANCE: EVIDENCE SUBMITTED

- 1. Evidence submitted under previous approvals**
- A. DRAWINGS**
 1. Manufacturer's die drawings and sections (Submitted under files below)
 2. Drawing No. **W04-01 Rev C**, titled "Aluminum Outswing Entrance Door", sheets 1 through 5 of 5, dated 01/15/04 and last revised on FEB 01, 2012, prepared by AL-Farooq Corporation, signed and sealed by Javad Ahmad, P.E.
- B. TESTS (Submitted under files # 14-0303.09/#12-0208.03/#09-0310.05)**
 1. Test reports on
 - 1) Air Infiltration Test, per FBC, TAS 202-94
 - 2) Uniform Static Air Pressure Test, Loading per FBC, TAS 202-94
 - 3) Water Resistance Test per FBC, TAS 202-94
 - 4) Forced Entry Test, per FBC 2411 3.2.1 and TAS 202-94
 - 5) Large Missile Impact Test per FBC, TAS 201-94
 - 6) Cyclic Wind Pressure Loading per FBC, TAS 203-94along with installation diagram of aluminum outswing door, prepared by Hurricane Engineering Testing Inc., Test Report No(s). **HETI- 08-2021, 08-2022, 08-2023 and 08-2024**, all dated 03/15/08, signed and sealed by Candido Font, P.E.
 2. Test reports on
 - 1) Air Infiltration Test, per FBC, TAS 202-94
 - 2) Uniform Static Air Pressure Test, Loading per FBC, TAS 202-94
 - 3) Water Resistance Test per FBC, TAS 202-94
 - 4) Forced Entry Test, per FBC 2411 3.2.1 and TAS 202-94
 - 5) Large Missile Impact Test per FBC, TAS 201-94
 - 6) Cyclic Wind Pressure Loading per FBC, TAS 203-94along with installation diagram of aluminum outswing door, prepared by Hurricane Engineering Testing Inc., Test Report No(s). **HETI- 03-1882, 08-1889, 08-18890 and 08-2024**, dated 01/15/04 thru 02/09/2004, all signed and sealed by Rafael E. Droz-Seda, P.E. (transferred from file # **08-0507.10**)
 3. Tensile Test prepared by Hurricane Engineering & Testing, Test No. HETI-04-T100, dtd 01/29/04, tested per ASTM E8-01, signed & sealed by Rafael E. Droz-Seda, P.E.
- C. CALCULATIONS**
 1. Anchor Calculations and structural analysis, dated 07/23/15, prepared by Al-Farooq Corp., signed and sealed by Javad Ahmad, P.E.
 2. Glazing complies w/ ASTM E-1300-04 & -09.
- D. QUALITY ASSURANCE**
 1. Miami Dade Department of Regulatory and Economic Resources (RER).
- E. MATERIAL CERTIFICATIONS**
 1. Notice of Acceptance No. **14-0916.11** issued to Kuraray America., Inc. for their "**Sentry Glas® (Clear and White) Glass Interlayer**", expiring on 07/04/18.
 2. Notice of Acceptance No. **14-0916.10** issued to Kuraray America., Inc. for their "**Butacite PVB Interlayer**", expiring on 12/11/16.
- F. STATEMENTS**
 1. Statement letter of conformance to FBC 2014 & no financial interests, prepared by Al Farooq Corporation, dated 07/23/15, signed and sealed by Javad Ahmad, P.E.
 2. Lab compliance as part of the above referenced test report.
- G. OTHER**
 1. This NOA **renews** NOA # **14-0303.09**, expiring on June 10, 2019.
 2. Test proposal # **07-3527** approved by BCCO.


Ishag I. Chanda, P.E.
Product Control Examiner
NOA No. 18-0116.03
Expiration Date: June 10, 2019
Approval Date: May 24, 2018

NOTICE OF ACCEPTANCE: EVIDENCE SUBMITTED

2. **New Evidence submitted.**
- A. DRAWINGS**
1. Drawing No. **W04-01 Rev F**, titled “Aluminum Outswing Entrance Door”, sheets 1, 1.1, 2 through 5 of 5, dated 01/15/04 and last revised on MAY 08, 2018, prepared by AL-Farooq Corporation, signed and sealed by Javad Ahmad, P. E.
- B. TESTS**
1. None.
- C. CALCULATIONS**
1. None.
- D. QUALITY ASSURANCE**
1. Miami Dade Department of Regulatory and Economic Resources (RER).
- E. MATERIAL CERTIFICATIONS**
1. Notice of Acceptance No. **16-1116.01** issued to Kuraray America., Inc. for their “**Trofosil ultra clear, clear & color PVB Interlayer**”, expiring on 07/08/19.
- F. STATEMENTS**
1. Statement letter of conformance to **FBC 6th Edition (2017)** and of no financial interest, prepared by Al Farooq Corporation, dated 12/10/17, signed and sealed by Javad Ahmad, P.E.
- G. OTHER**
1. This NOA revises **NOA # 18-0116.03**, expiring 06/10/2019.



Ishaq I. Chanda, P.E.

Product Control Examiner

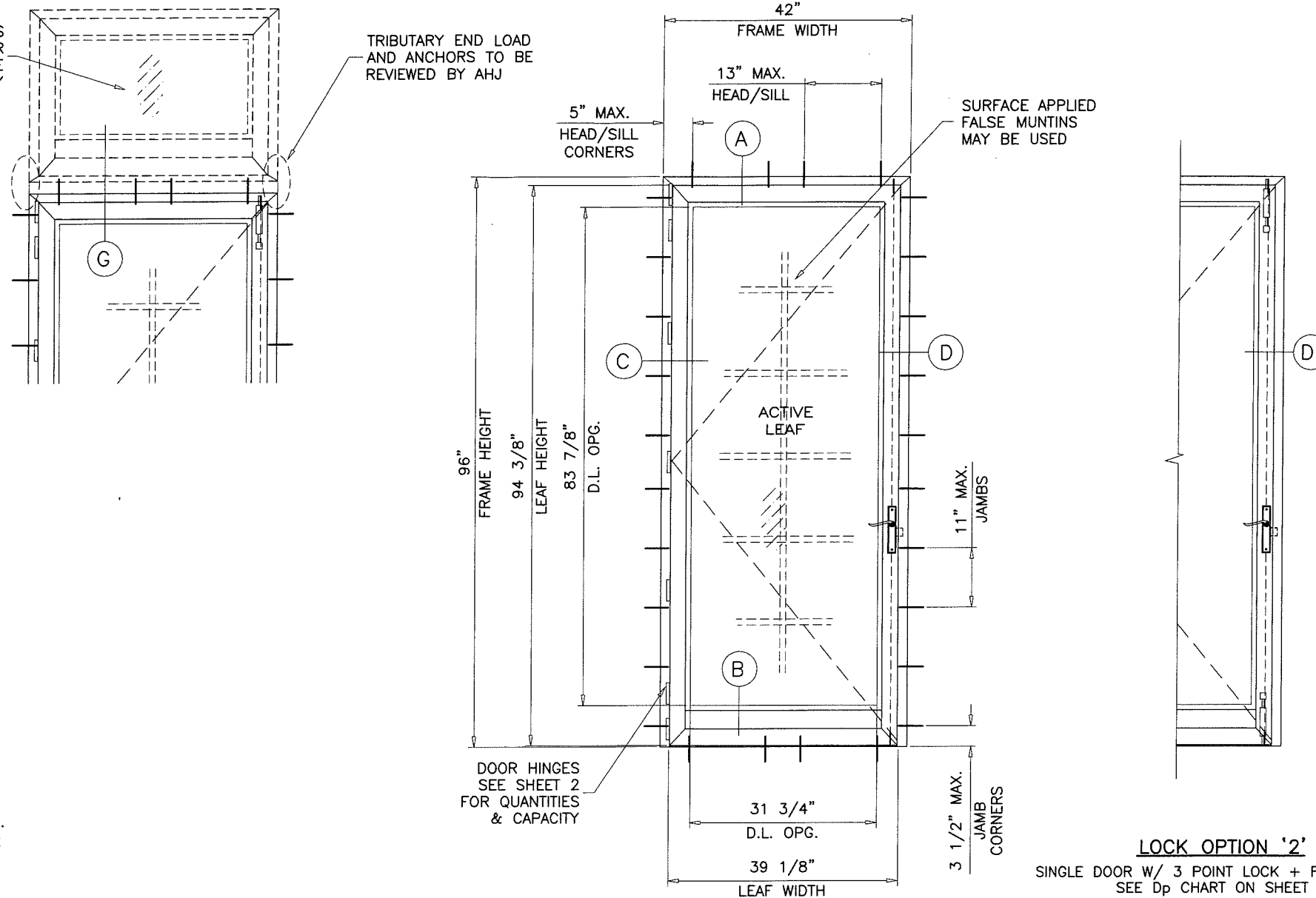
NOA No. 18-0116.03

Expiration Date: June 10, 2019

Approval Date: May 24, 2018

SEE SEPARATE NOA FOR TRANSOM RATING AND DETAILS
LOWER DESIGN PRESSURE OF TRANSOM, DOOR OR
TRANSOM MULLION SHALL CONTROL DESIGN PRESSURE
FOR ENTIRE ASSEMBLY

TRIBUTARY END LOAD
AND ANCHORS TO BE
REVIEWED BY AHJ



ALUMINUM OUTSWING ENTRANCE DOOR

APPROVAL APPLIES TO SINGLE (X) AND DOUBLE (XX) LEAF DOORS.
ALSO SINGLE AND DOUBLE DOORS IN COMBINATION WITH SIDELITES
USING MIAMI-DADE COUNTY APPROVED MULLIONS IN BETWEEN.
ALSO SINGLE AND DOUBLE DOORS WITH OR WITHOUT SIDELITES IN
COMBINATION WITH TRANSOMS USING MIAMI-DADE COUNTY APPROVED
MULLION IN BETWEEN.
LOWER DESIGN PRESSURES FROM DOOR, SIDELITE OR MULLION
APPROVAL WILL APPLY TO ENTIRE SYSTEM.

THIS PRODUCT HAS BEEN DESIGNED AND TESTED TO COMPLY WITH THE
REQUIREMENTS OF THE 2017 (6TH EDITION) FLORIDA BUILDING CODE
INCLUDING HIGH VELOCITY HURRICANE ZONE (HVHZ).

1BY OR 2BY WOOD BUCKS & BUCK FASTENERS BY OTHERS, MUST BE
DESIGNED AND INSTALLED ADEQUATELY TO TRANSFER APPLIED PRODUCT LOADS
TO THE BUILDING STRUCTURE.

ANCHORS SHALL BE CORROSION RESISTANT, SPACED AS SHOWN ON DETAILS
AND INSTALLED PER MANUF'S INSTRUCTIONS. SPECIFIED EMBEDMENT TO BASE
MATERIAL SHALL BE BEYOND WALL DRESSING OR STUCCO.

A LOAD DURATION INCREASE IS USED IN DESIGN OF ANCHORS INTO WOOD ONLY.

ALL SHIMS TO BE HIGH IMPACT, NON-METALLIC AND NON-COMPRESSIBLE.

MATERIALS INCLUDING BUT NOT LIMITED TO STEEL/METAL SCREWS, THAT
COME INTO CONTACT WITH OTHER DISSIMILAR MATERIALS SHALL MEET THE
REQUIREMENTS OF THE 2017 FLORIDA BLDG. CODE & ADOPTED STANDARDS.

THIS PRODUCT APPROVAL IS GENERIC AND DOES NOT PROVIDE INFORMATION
FOR A SITE SPECIFIC PROJECT, i.e. LIFE SAFETY OF THIS PRODUCT, ADEQUACY
OF STRUCTURE RECEIVING THIS PRODUCT AND SEALING AROUND OPENING FOR
WATER INFILTRATION RESISTANCE ETC.
CONDITIONS NOT SHOWN IN THIS DRAWING ARE TO BE ANALYZED SEPARATELY.
IN HVHZ ONE TIME APPROVAL FOR MIAMI-DADE COUNTY TO BE OBTAINED,
IN NON HVHZ SUCH PROJECTS TO BE REVIEWED BY AHJ (AUTHORITY HAVING
JURISDICTION).

THESE DOORS ARE RATED FOR LARGE & SMALL MISSILE IMPACT.
SHUTTERS ARE NOT REQUIRED.

LOCK OPTION '1'

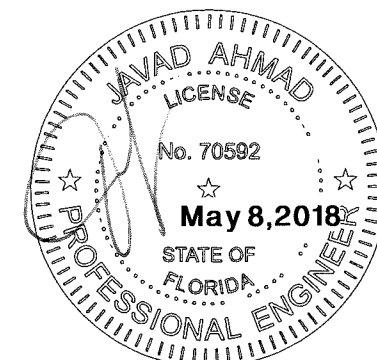
SINGLE DOOR W/ 3 POINT LOCK
SEE Dp CHART ON SHEET 2

LOCK OPTION '2'

SINGLE DOOR W/ 3 POINT LOCK + FLUSH BOLTS
SEE Dp CHART ON SHEET 2

TYPICAL ELEVATIONS

PRODUCT REVISED
to comply with the Florida
Building Code
Acceptance No. 18-0116-03
Expiration Date JUNE 10, 2019
Javad Ahmad
Product Control



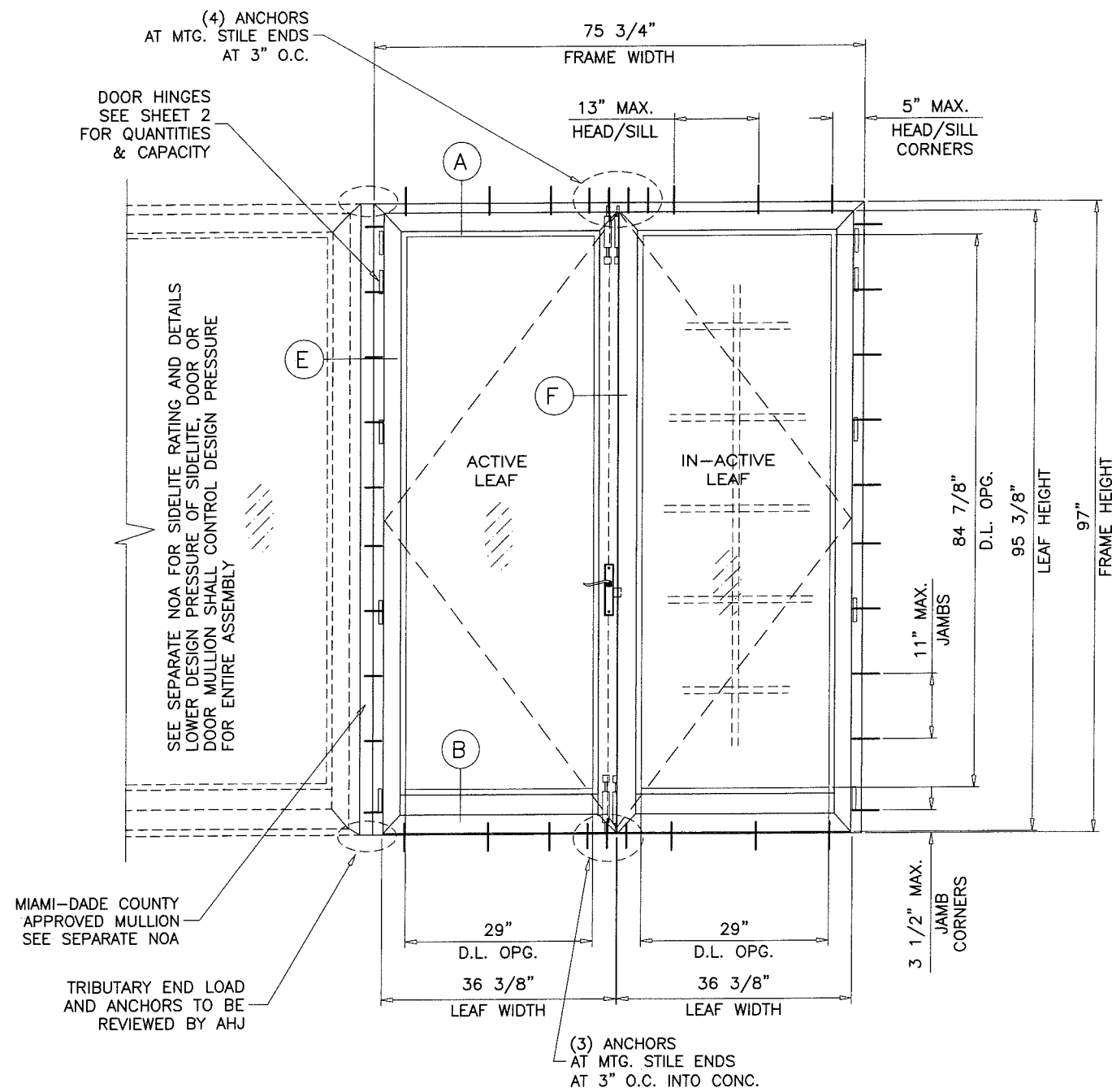
af c
AL-FAROOQ CORPORATION
ENGINEERS & PRODUCT DEVELOPMENT
9360 SUNSET DRIVE, SUITE 220
MIAMI, FLORIDA 33173 (C.A.N. 3538)
TEL. (305) 264-8100 FAX. (305) 262-6978
COMP-ANL\W04-01EWD

ALUM OUTSWING ENTRANCE DOOR (L.M.I.)
Eurotech Industries Inc.
4201 N.E. 12th Terrace
Oakland Park, Florida 33334
Tel. (954) 630-9967 Fax. (954) 630-0217

no	date	by	description
C	01.26.12		UPDATED TO 2010 FBC
D	07.27.15		UPDATED TO 2014 FBC
E	12.27.17		UPDATED TO 2017 FBC
F	04.16.18		REV. PER PER COMMENTS

date: 01-15-04
scale: 1/2" = 1'-0"
dr. by: TARIQ
chk. by:

drawing no.
W04-01
sheet 1 of 5



(4) ANCHORS
AT MTG. STILE ENDS
AT 3" O.C.

DOOR HINGES
SEE SHEET 2
FOR QUANTITIES
& CAPACITY

SEE SEPARATE NOA FOR SIDELITE RATING AND DETAILS
LOWER DESIGN PRESSURE OF SIDELITE, DOOR OR
DOOR MULLION SHALL CONTROL DESIGN PRESSURE
FOR ENTIRE ASSEMBLY

MIAMI-DADE COUNTY
APPROVED MULLION
SEE SEPARATE NOA

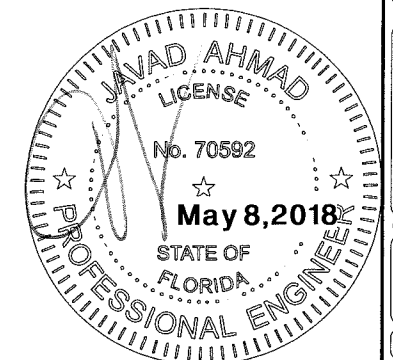
TRIBUTARY END LOAD
AND ANCHORS TO BE
REVIEWED BY AHJ

(3) ANCHORS
AT MTG. STILE ENDS
AT 3" O.C. INTO CONC.

LOCK OPTION '2'
DOUBLE DOOR W/ 3 POINT LOCK + FLUSH BOLTS
SEE Dp CHART ON SHEET 2

TYPICAL ELEVATION

PRODUCT REVISED
as complying with the Florida
Building Code
Acceptance No. 18-0116-03
Expiration Date 6/10/19
E. Ishag. Ullah
Product Control



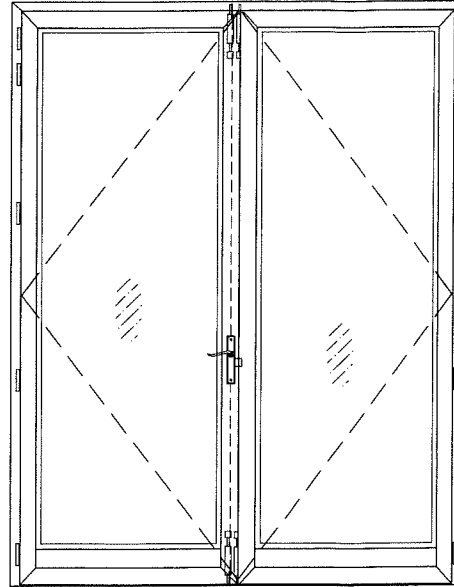
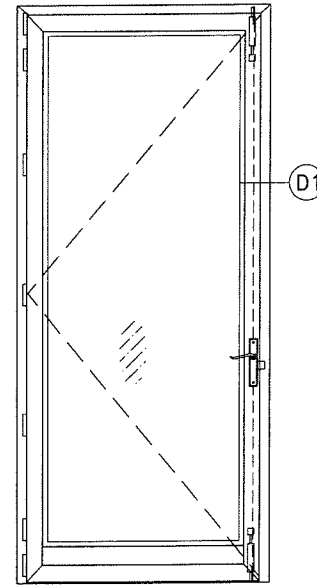
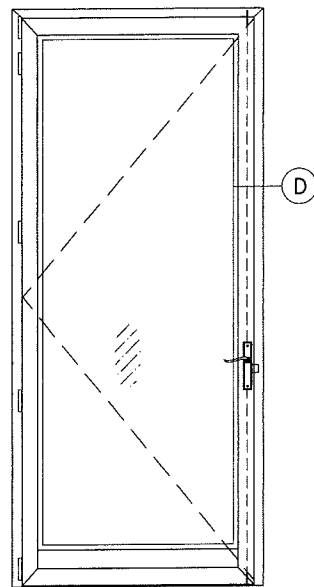
af c
AL-FAROOQ CORPORATION
ENGINEERS & PRODUCT DEVELOPMENT
9360 SUNSET DRIVE, SUITE 220
MIAMI, FLORIDA 33173 (C.A.N. 3538)
TEL. (305) 264-8100 FAX. (305) 262-6978
COMP-ANL W04-01EWD

ALUM OUTSWING ENTRANCE DOOR (L.M.I.)
Eurotech Industries Inc.
4201 N.E. 12th Terrace
Oakland Park, Florida 33334
Tel. (954) 630-9967 Fax. (954) 630-0217

no	date	by	description	REV. PER	COMMENTS
F	04.16.18				

date: 01-15-04
scale: 1/2"=1'-0"
dr. by: TARIQ
chk. by:

drawing no.
W04-01
sheet 1.1 of 5



ITEM #	PART #	REQD.	DESCRIPTION	MATERIAL	MANF./SUPPLIER/REMARKS
1	ER006	AS REQD.	DOOR FRAME	6063-T6	-
2	ER012	AS REQD.	DOOR LEAF	6063-T6	-
3	VZ1566	1/ LEAF	DOOR BASE BOARD	6063-T6	-
4	VZ-1483	1/ DOOR	FRAME SILL	6063-T6	-
5	-	1/ DOOR	SILL BASE	6063-T6	-
6	VZ-1481	AS REQD.	ASTRAGAL STILE	6063-T6	-
7	VZ-1535	4/ LEAF	GLAZING BEAD	6063-T6	-
8	2801	AS REQD.	GLAZING GASKET	EPDM	DUROMETER 75±5 SHORE A
9	-	1	SHEAR CLIP	6063-T6	-
10	1001/50	1/ CORNER	CORNER KEY	ALUMINUM	MONTICELLO
11	00600X	4/ LEAF	HINGES	ALUMINUM	GIESSE
12	#10 X 3/8"	4/ HINGE	HINGE INSTALLATION SCREWS	-	PH MACHINE SCREWS
13	-	AS REQD.	BULB W'STRIPPING	-	-
14	#10 x 2"	AS REQD.	ASSEMBLY SCREWS	-	HH SELF DRILLING
15	#12 X 1-1/4"	-	FRAME ASSEMBLY SCREWS	-	SMS

**DESIGN LOAD CAPACITY - PSF
SINGLE (X) DOORS**

DOOR SIZE		GLASS TYPE 'A'	
WIDTH	HEIGHT	EXT. (+)	INT. (-)
2/6	6/8	75.0	85.0
3/0		75.0	85.0
3/6		75.0	85.0
2/6	7/0	75.0	85.0
3/0		75.0	85.0
3/6		75.0	85.0
2/6	8/0	75.0	85.0
3/0		75.0	85.0
3/6		75.0	85.0

DOORS APPROVED FOR INSTALLATIONS WHERE WATER INFILTRATION RESISTANCE IS REQUIRED.

**DESIGN LOAD CAPACITY - PSF
SINGLE (X) DOORS**

DOOR SIZE		GLASS TYPE 'B'	
WIDTH	HEIGHT	EXT. (+)	INT. (-)
2/6	6/8	100.0	140.0
3/0		100.0	140.0
3/3		100.0	140.0
2/6	7/0	100.0	140.0
3/0		100.0	140.0
3/3		100.0	140.0
2/6	8/0	100.0	140.0
3/0		100.0	140.0
3/3		100.0	140.0

DOORS APPROVED FOR INSTALLATIONS WHERE WATER INFILTRATION RESISTANCE IS REQUIRED.

**DESIGN LOAD CAPACITY - PSF
DOUBLE (XX) DOORS**

DOOR SIZE		GLASS TYPE 'A' OR 'B'	
WIDTH	HEIGHT	EXT. (+)	INT. (-)
5/0	6/8	75.0	75.0
6/4		75.0	75.0
5/0	7/0	75.0	75.0
6/4		75.0	75.0
5/0	8/1	75.0	75.0
6/4		75.0	75.0

LOADS SHOWN ABOVE ARE FOR INSTALLATIONS WHERE WATER INFILTRATION RESISTANCE IS NOT REQUIRED.

LIMIT EXTERIOR(+) LOADS TO 48 PSF FOR INSTALLATIONS WHERE WATER INFILTRATION RESISTANCE IS REQUIRED.

LOCKS SINGLE DOORS: (OPTION #1)

3 POINT LOCK SYSTEM AT ACTIVE LOCK STILE 36" FROM BOTTOM, KEY OPERATED ON EXTERIOR AND THUMB TURN ON INTERIOR.

STRIKE PLATE
1-1/4" X 1/4" X 16-1/4" LONG
ATTACHED WITH (2) #8 X 3/4" SMS

HINGES SINGLE DOORS:

TWO-HANDED COMB HING
EXTRUDED ALUMINUM BRIDGE 2
BY 'GIESSE'
(5) PER LEAF
AT 6", 12", 35", 63-1/2" AND
92-1/2" FROM TOP OF DOOR

LOCKS SINGLE DOORS: (OPTION #2)

MANUALLY OPERATED FLUSH BOLTS AT TOP AND BOTTOM OF ACTIVE LEAF PART #02181 ATTACHED WITH (4) #10 X 1-1/2" SMS.

3 POINT LOCK SYSTEM AT ACTIVE LOCK STILE 36" FROM BOTTOM, KEY OPERATED ON EXTERIOR AND THUMB TURN ON INTERIOR.

STRIKE PLATE
1-1/4" X 1/4" X 16-1/4" LONG
ATTACHED WITH (2) #8 X 3/4" SMS

HINGES SINGLE DOORS:

TWO-HANDED COMB HING
EXTRUDED ALUMINUM BRIDGE 2
BY 'GIESSE'
(7) PER LEAF AT 7/0 AND 8/0 DOORS
AT 3", 9" AND 26-3/8" FROM
TOP AND BOTTOM, ONE AT MIDSPAN
(6) PER LEAF AT 6/8 DOORS
AT 3", 9" AND 26-3/8" FROM
TOP AND BOTTOM

LOCKS DOUBLE DOORS: (OPTION #2)

ACTIVE LEAF:
MANUALLY OPERATED FLUSH BOLTS AT TOP AND BOTTOM OF ACTIVE LEAF PART #02181 ATTACHED WITH (4) #8 X 1-1/2" SMS.

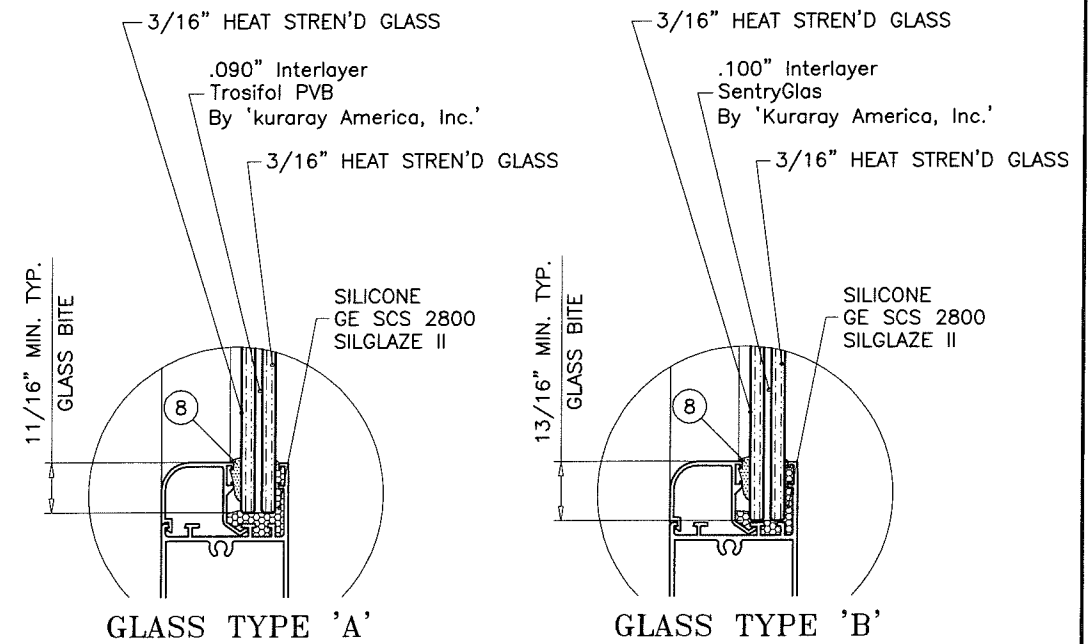
3 POINT LOCK SYSTEM AT ACTIVE LOCK STILE 36" FROM BOTTOM, KEY OPERATED ON EXTERIOR AND THUMB TURN ON INTERIOR.

INACTIVE LEAF

MANUALLY OPERATED CONCEALED FLUSH BOLTS AT TOP AND BOTTOM OF INACTIVE LEAF PART #02168 ATTACHED WITH (4) #8 X 1-1/2" SMS.

HINGES DOUBLE DOORS:

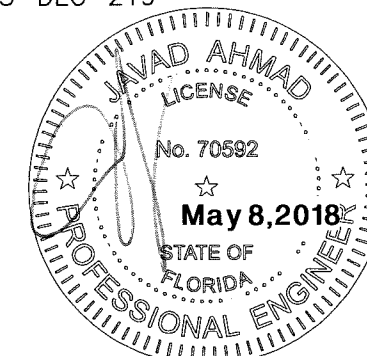
TWO-HANDED COMB HING
EXTRUDED ALUMINUM BRIDGE 2
BY 'GIESSE'
(5) PER LEAF
AT 6", 12", 35", 63-1/2" AND
92-1/2" FROM TOP OF DOOR



GLAZING OPTIONS

PRODUCT REVISED
as complying with the Florida
Building Code
Acceptance No. 18-0116-03
Expiration Date 6/10/19
[Signature]
Miami Road Product Control

NOTE:
GLASS CAPACITIES ON THIS SHEET ARE
BASED ON ASTM E1300-09 (3 SEC. GUSTS)
AND FLORIDA BUILDING COMMISSION
DECLARATORY STATEMENT DCA05-DEC-219



NOTE: TOP AND BOTTOM FLUSH BOLTS MUST BE ENGAGED DURING PERIODS OF HURRICANE WARNING.

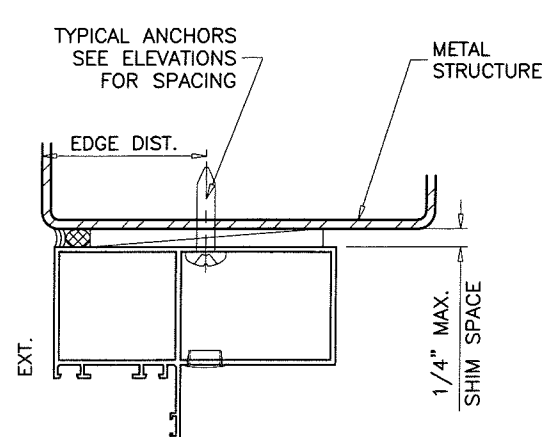
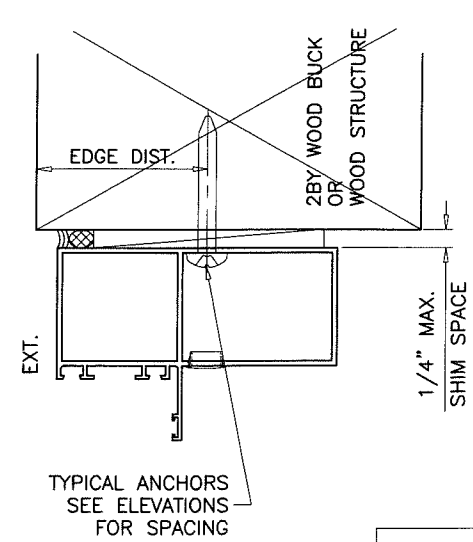
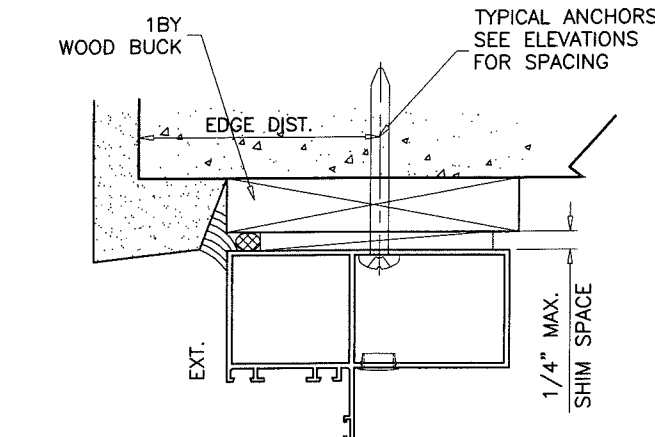
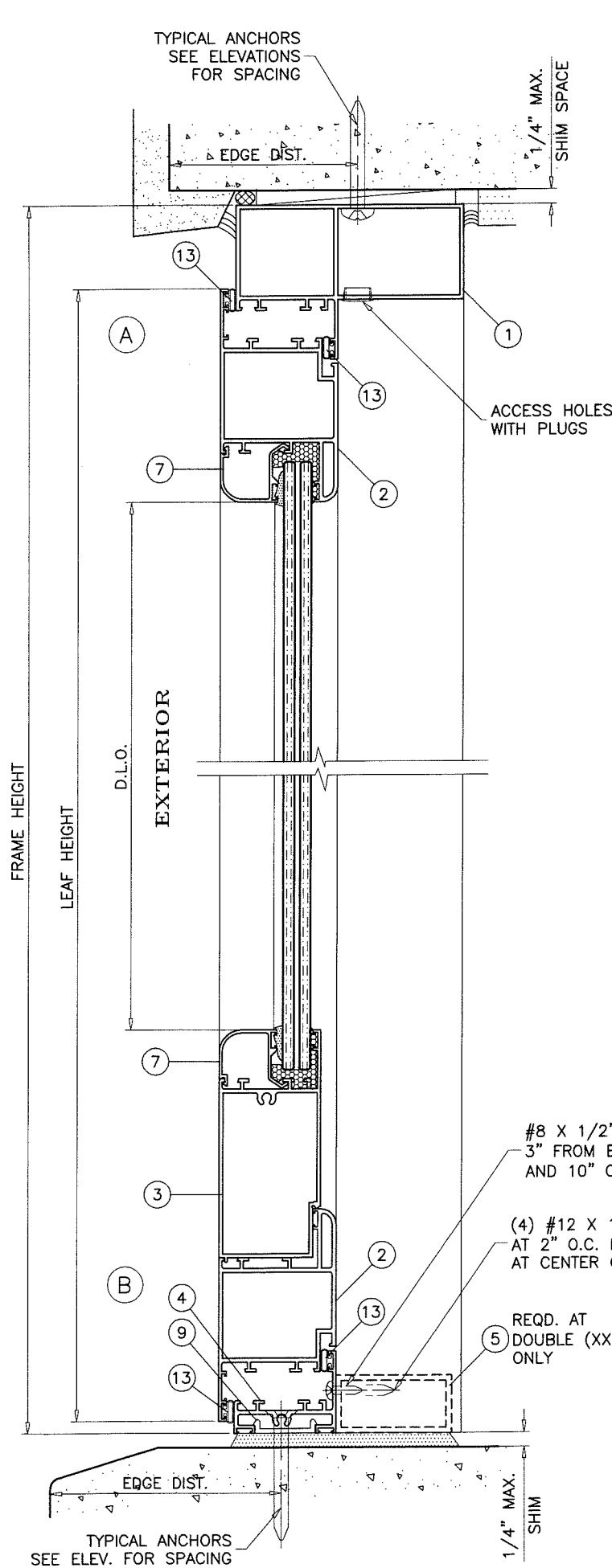
AL-FAROOQ CORPORATION
ENGINEERS & PRODUCT DEVELOPMENT
9360 SUNSET DRIVE, SUITE 220
MIAMI, FLORIDA 33173
TEL. (305) 264-8100 FAX. (305) 262-6978
(C.A.N. 3538)

ALUM OUTSWING ENTRANCE DOOR (L.M.I.)
Eurotech Industries Inc.
4201 N.E. 12th Terrace
Oakland Park, Florida 33334
Tel. (954) 630-9967 Fax. (954) 630-0217

no.	date	by	description
C	01.26.12		UPDATED TO 2010 FBC
D	07.27.15		UPDATED TO 2014 FBC
E	12.27.17		UPDATED TO 2017 FBC
F	04.16.18		REV. PER PER COMMENTS

date: 01-15-04
scale: 3/8" = 1"
dr. by: TARIQ
chk. by:

drawing no. **W04-01**
sheet 2 of 5



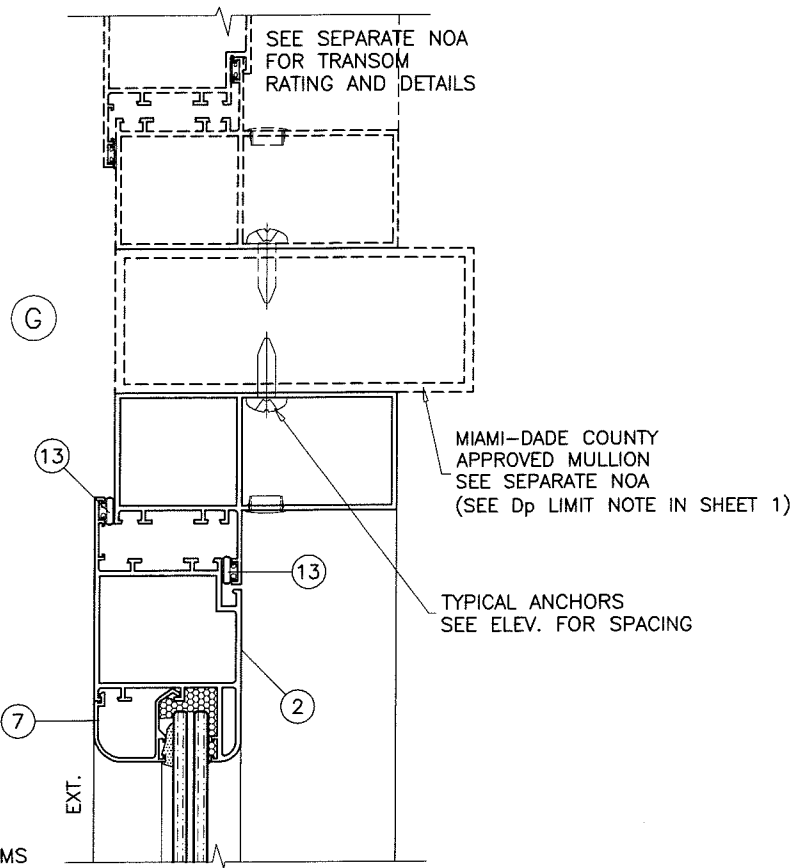
WOOD BUCKS AND METAL STRUCTURE NOT BY EUROTECH MUST SUSTAIN LOADS IMPOSED BY GLAZING SYSTEM AND TRANSFER THEM TO THE BUILDING STRUCTURE.

TYPICAL ANCHORS: SEE ELEV. FOR SPACING
1/4" DIA. ULTRACON BY 'ELCO' (Fu=177 KSI, Fy=155 KSI)
 INTO 2BY WOOD BUCKS OR WOOD STRUCTURES
 1-1/2" MIN. PENETRATION INTO WOOD (HEAD/JAMBS)
 THRU 1BY BUCKS INTO CONC. OR BLOCKS
 1-1/4" MIN. EMBED INTO CONCRETE (HEAD/JAMBS)
 1-1/4" MIN. EMBED INTO BLOCKS (JAMBS)
 DIRECTLY INTO CONCRETE OR BLOCKS
 1-1/4" MIN. EMBED INTO CONCRETE (HEAD/SILL/JAMBS)
 1-1/4" MIN. EMBED INTO BLOCKS (JAMBS)

#14 SMS OR SELF-DRILLING SCREWS (GRADE 2 CRS)
 INTO MIAMI-DADE COUNTY APPROVED MULLIONS OR
 INTO METAL STRUCTURES (HEAD/JAMBS)
 (3) THREADS MIN. TO EXTEND BEYOND METAL THICKNESS
 ALUMINUM: 1/8" THK. MIN. (6063-T5 MIN.)
 STEEL: 1/8" THK. MIN. (Fy = 36 KSI MIN.)
 (STEEL IN CONTACT WITH ALUMINUM TO BE PLATED OR PAINTED)

CRITICAL EDGE DISTANCE
 INTO CONCRETE AND BLOCKS = 2-1/2" MIN.
 INTO WOOD STRUCTURE = 1" MIN.
 INTO METAL STRUCTURE = 3/4" MIN.

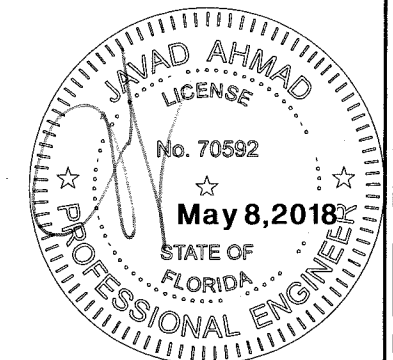
WOOD AT HEAD OR JAMBS SG = 0.55 MIN.
 CONCRETE AT HEAD, SILL OR JAMBS f'c = 3000 PSI MIN.
 C-90 HOLLOW/FILLED BLOCK AT JAMBS f'm = 2000 PSI MIN.



#8 X 1/2" SMS
 3" FROM ENDS
 AND 10" O.C. MAX.
 (4) #12 X 1" SMS
 AT 2" O.C. MAX.
 AT CENTER OF SILL
 (5) REQD. AT
 DOUBLE (XX) DOORS
 ONLY

PRODUCT REVISED
 as complying with the Florida
 Building Code
 Acceptance No. 18-0116-03
 Expiration Date 6/1/19
 J. Ahmad
 Major Field Product Control

SEALANTS:
 ALL FRAME AND LEAF CORNERS AND JOINTS SEALED WITH
 ADSEL OR TEKNA 50729 SEALANTS.



AL-FAROOQ CORPORATION
 ENGINEERS & PRODUCT DEVELOPMENT
 9360 SUNSET DRIVE, SUITE 220
 MIAMI, FLORIDA 33173
 TEL. (305) 264-8100 FAX. (305) 262-6978
 (C.A.N. 3588)

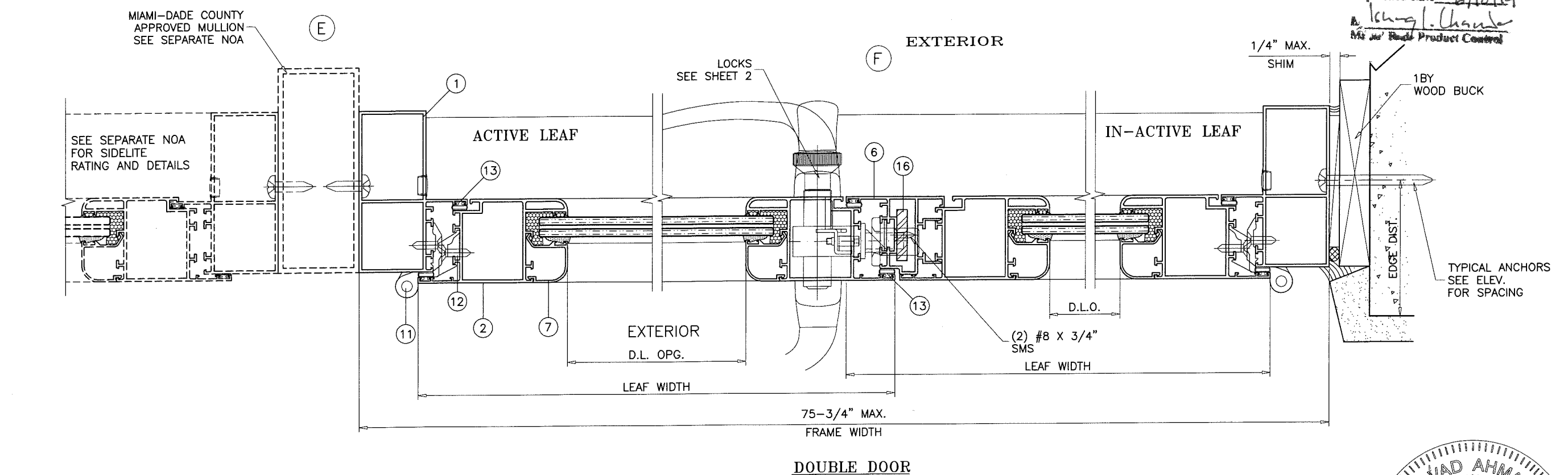
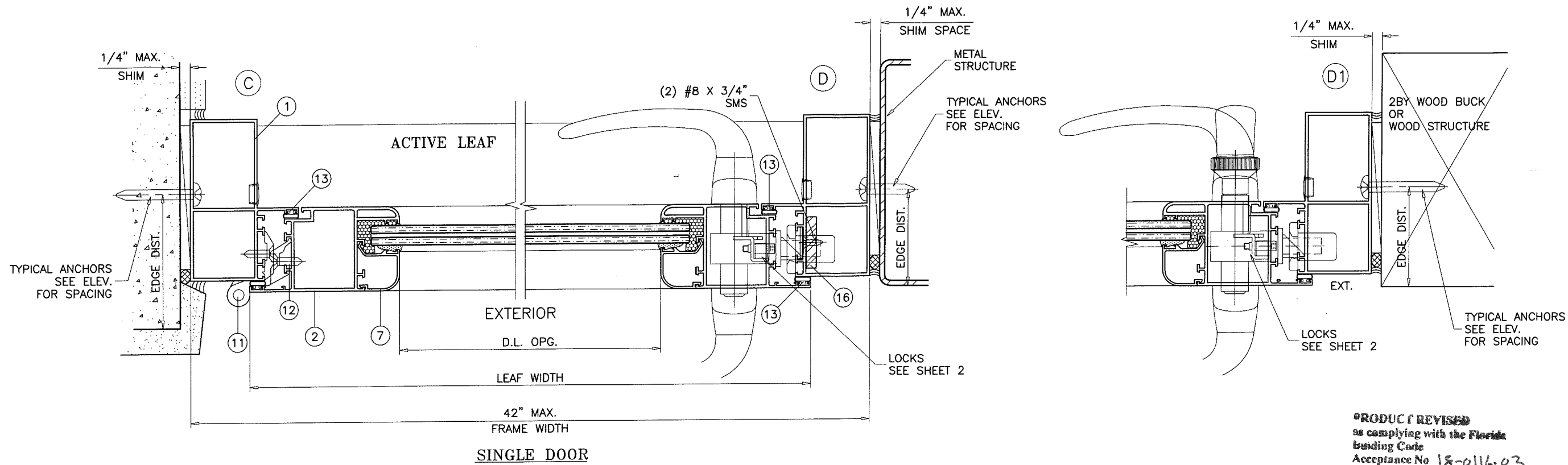
ALUM OUTSWING ENTRANCE DOOR (L.M.I.)
Eurotech Industries Inc.
 4201 N.E. 12th Terrace
 Oakland Park, Florida 33334
 Tel. (954) 630-9967 Fax. (954) 630-0217

no	date	by	description
C	01.26.12		UPDATED TO 2010 FBC
D	07.27.15		UPDATED TO 2014 FBC
E	12.27.17		UPDATED TO 2017 FBC
F	04.16.18		REV. PER RER COMMENTS

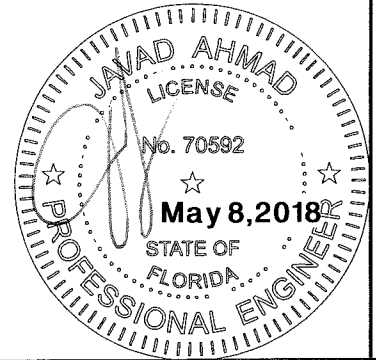
date: 01-15-04
 scale: 3/8" = 1"
 dr. by: TARIQ
 chk. by:

drawing no.
W04-01
 sheet 3 of 5

COMP-ANL\W04-01EWD



PRODUCT REVISED
 as complying with the Florida
 Building Code
 Acceptance No. 18-0116-03
 Expiration Date 6/10/19
A. Khajuria
 Mr. J. B. Product Control

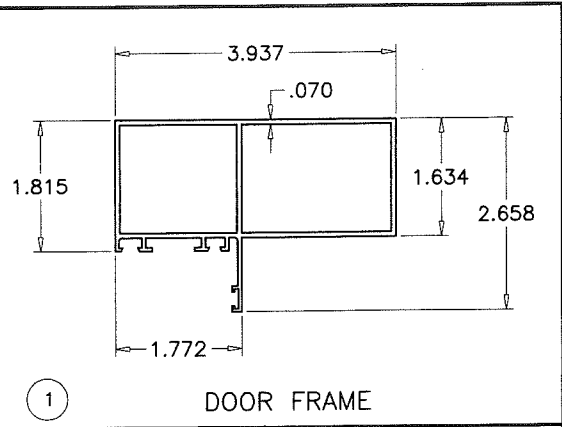


af c
AL-FAROOQ CORPORATION
 ENGINEERS & PRODUCT DEVELOPMENT
 9360 SUNSET DRIVE, SUITE 220 (C.A.N. 3538)
 MIAMI, FLORIDA 33173
 TEL. (305) 264-8100 FAX. (305) 262-9978
 COMP-ANL\W04-01EWD

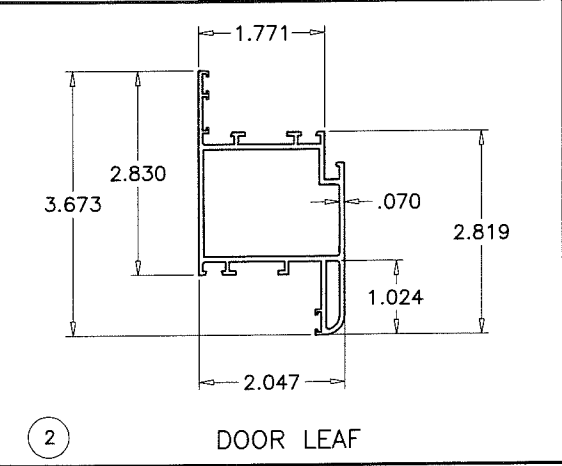
ALUM OUTSWING ENTRANCE DOOR (L.M.I.)
Eurotech Industries Inc.
 4201 N.E. 12th Terrace
 Oakland Park, Florida 33334
 Tel. (954) 630-9967 Fax. (954) 630-0217

no	date	by	description
C	01.26.12		UPDATED TO 2010 FBC
D	07.27.15		UPDATED TO 2014 FBC
E	12.27.17		UPDATED TO 2017 FBC
F	04.16.18		REV. PER RER COMMENTS

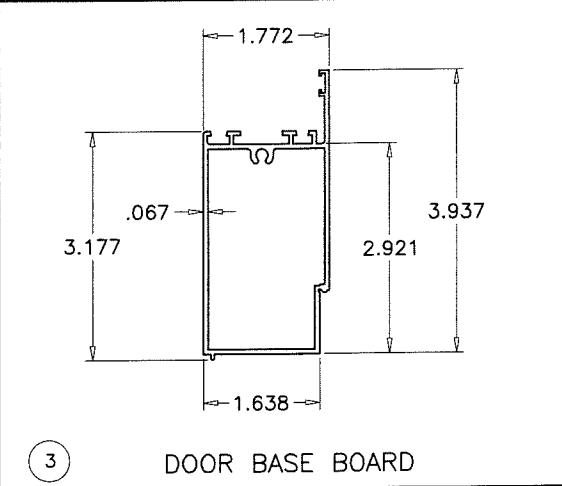
date: 01-15-04
 scale: 3/8" = 1"
 dr. by: TARIQ
 chk. by:
 drawing no. **W04-01**
 sheet 4 of 5



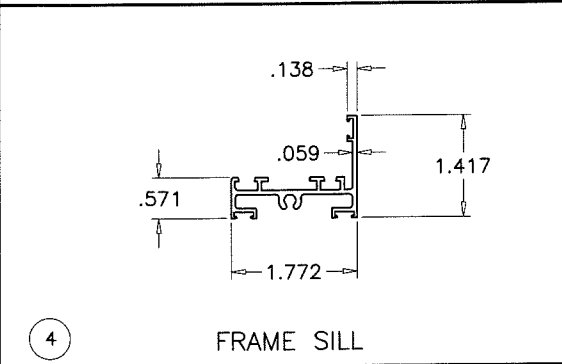
1 DOOR FRAME



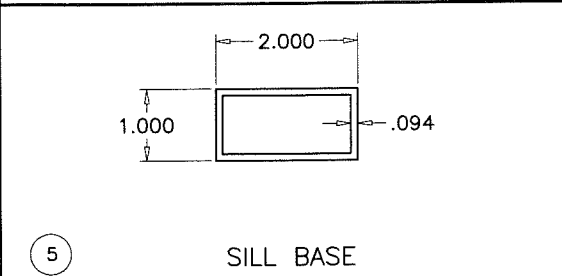
2 DOOR LEAF



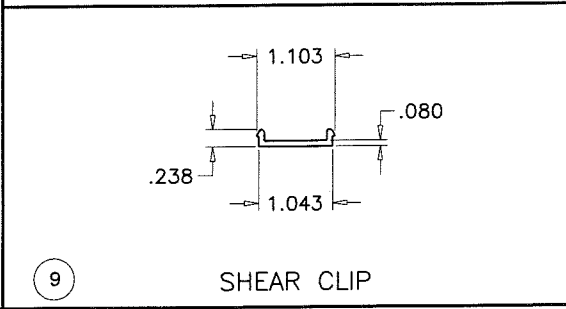
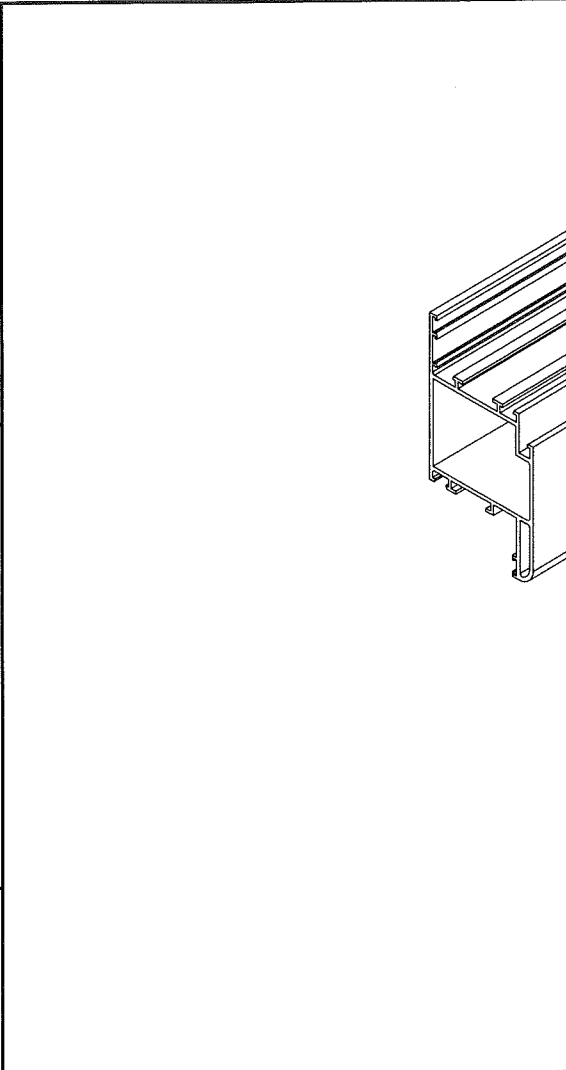
3 DOOR BASE BOARD



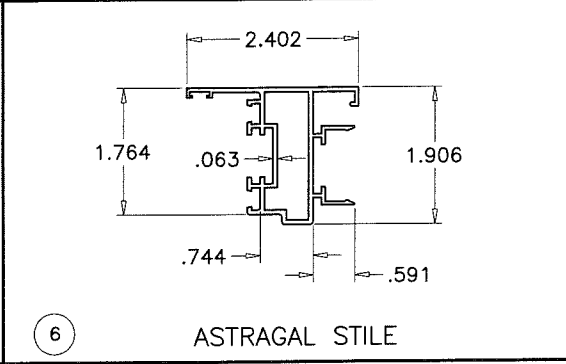
4 FRAME SILL



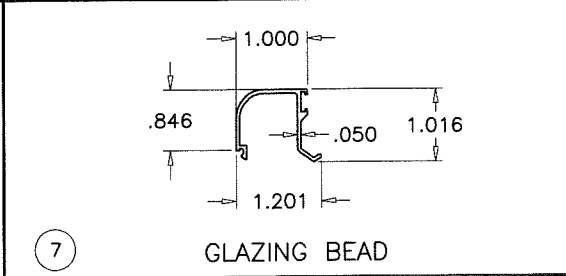
5 SILL BASE



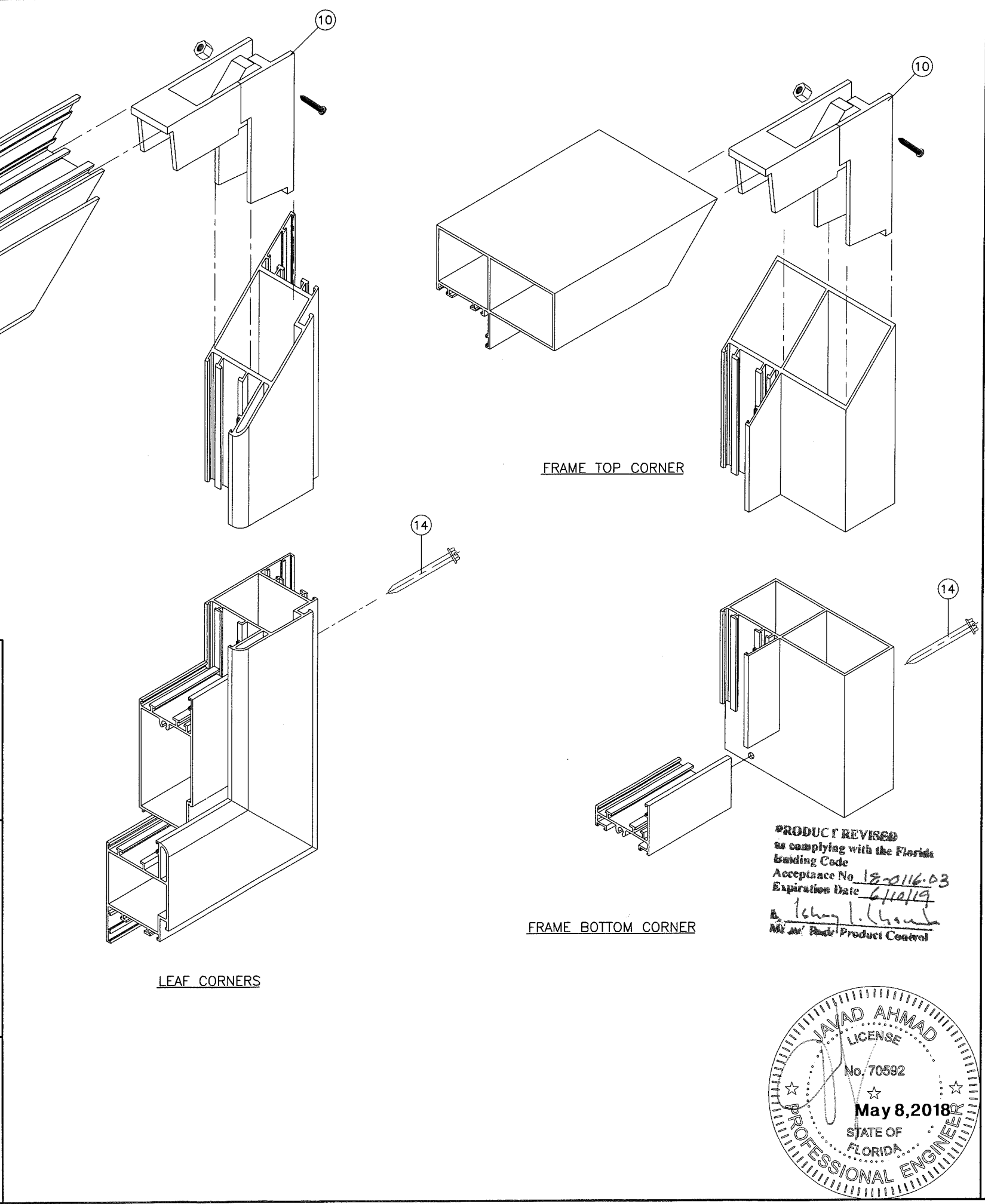
9 SHEAR CLIP



6 ASTRAGAL STILE



7 GLAZING BEAD

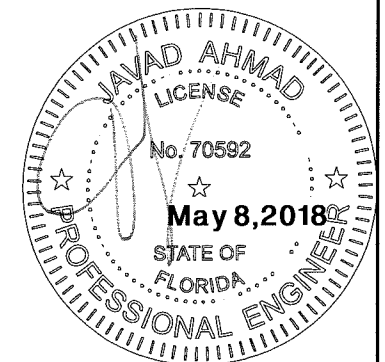


FRAME TOP CORNER

FRAME BOTTOM CORNER

LEAF CORNERS

PRODUCT REVISED
 as complying with the Florida
 Building Code
 Acceptance No. 18-2116-03
 Expiration Date 6/10/19
 M. Ahmad Product Control



af c
AL-FAROOQ CORPORATION
 ENGINEERS & PRODUCT DEVELOPMENT
 9360 SUNSET DRIVE, SUITE 220
 MIAMI, FLORIDA 33173 (C.A.N. 3538)
 TEL. (305) 264-8100 FAX. (305) 262-6978
 COMP-ANL\W04-01EWD

ALUM OUTSWING ENTRANCE DOOR (L.M.I.)
Eurotech Industries Inc.
 4201 N.E. 12th Terrace
 Oakland Park, Florida 33334
 Tel. (954) 630-9967 Fax. (954) 630-0217

no	date	description
C	01.26.12	NO CHANGE THIS SHEET
D	07.27.15	UPDATED TO 2014 FBC
E	12.27.17	UPDATED TO 2017 FBC
F	04.16.18	NO CHANGE THIS SHEET

date: 01-15-04
 scale: 3/8" = 1"
 dr. by: TARIQ
 chk. by:

drawing no.
W04-01
 sheet 5 of 5