



**DEPARTMENT OF REGULATORY AND ECONOMIC RESOURCES (RER)
BOARD AND CODE ADMINISTRATION DIVISION
NOTICE OF ACCEPTANCE (NOA)**

**MIAMI-DADE COUNTY
PRODUCT CONTROL SECTION**
11805 SW 26 Street, Room 208
T (786) 315-2590 F (786) 315-2599
www.miamidade.gov/economy

**Regency Plus, Inc.
2000 Locust Gap Highway
Mount Carmel, PA 17851**

SCOPE:

This NOA is being issued under the applicable rules and regulations governing the use of construction materials. The documentation submitted has been reviewed and accepted by Miami-Dade County RER-Product Control Section to be used in Miami-Dade County and other areas where allowed by the Authority Having Jurisdiction (AHJ).

This NOA shall not be valid after the expiration date stated below. The Miami-Dade County Product Control Section (In Miami-Dade County) and/ or the AHJ (in areas other than Miami-Dade County) reserve the right to have this product or material tested for quality assurance purposes. If this product or material fails to perform in the accepted manner, the manufacturer will incur the expense of such testing and the AHJ may immediately revoke, modify, or suspend the use of such product or material within their jurisdiction. RER reserves the right to revoke this acceptance, if it is determined by Miami-Dade County Product Control Section that this product or material fails to meet the requirements of the applicable building code.

This product is approved as described herein, and has been designed to comply with the Florida Building Code, including the High Velocity Hurricane Zone.

DESCRIPTION: Series "5108" White PVC Fixed Window - L.M.I.

APPROVAL DOCUMENT: Drawing No. **RPLS0060**, titled "Impact 5108 Series Fixed Window" sheets 1 through 5 of 5, dated 09/16/08, with revision **G** dated 01/08/18, prepared by PTC Product Design Group, LLC, signed and sealed by Robert J. Amoruso, P.E., bearing the Miami-Dade County Product Control Revision stamp with the Notice of Acceptance number and expiration date by the Miami-Dade County Product Control Section.

MISSILE IMPACT RATING: Large and Small Missile Impact Resistant

LABELING: Each unit shall bear a permanent label with the manufacturer's name or logo, city, state, series, and following statement: "Miami-Dade County Product Control Approved", unless otherwise noted herein.

RENEWAL of this NOA shall be considered after a renewal application has been filed and there has been no change in the applicable building code negatively affecting the performance of this product.

TERMINATION of this NOA will occur after the expiration date or if there has been a revision or change in the materials, use, and/ or manufacture of the product or process. Misuse of this NOA as an endorsement of any product, for sales, advertising or any other purposes shall automatically terminate this NOA. Failure to comply with any section of this NOA shall be cause for termination and removal of NOA.

ADVERTISEMENT: The NOA number preceded by the words Miami-Dade County, Florida, and followed by the expiration date may be displayed in advertising literature. If any portion of the NOA is displayed, then it shall be done in its entirety.

INSPECTION: A copy of this entire NOA shall be provided to the user by the manufacturer or its distributors and shall be available for inspection at the job site at the request of the Building Official.

This NOA **revises NOA No. 15-0618.01** and consists of this page 1 and evidence pages E-1, E-2 and E-3, as well as approval document mentioned above.

The submitted documentation was reviewed by **Manuel Perez, P.E.**



Handwritten signature and date: 3/1/18

NOA No. 18-0122.10
Expiration Date: January 28, 2019
Approval Date: March 08, 2018
Page 1

NOTICE OF ACCEPTANCE: EVIDENCE SUBMITTED

1. EVIDENCE SUBMITTED UNDER PREVIOUS NOA's

A. DRAWINGS

1. Manufacturer's die drawings and sections.
(Submitted under NOA No. 08-1021.04)
2. Drawing No. **RPLS0060**, titled "Impact 5108 Series Fixed Window" sheets 1 through 5 of 5, dated 09/16/08, with revision **F** dated 09/24/15, prepared by PTC Product Design Group, LLC, signed and sealed by Robert J. Amoruso, P.E.

B. TESTS

1. Test reports on:
 - 1) Air Infiltration Test, per FBC, TAS 202-94
 - 2) Uniform Static Air Pressure Test, Loading per FBC, TAS 202-94
 - 3) Water Resistance Test, per FBC, TAS 202-94
 - 4) Large Missile Impact Test per FBC, TAS 201-94
 - 5) Cyclic Wind Pressure Loading per FBC, TAS 203-94
 - 6) Forced Entry Test, per FBC 2411.3.2.1, and TAS 202-94along with marked-up drawings and installation diagram of a series 5108 fixed window, prepared by National Certified Testing Laboratories, Inc., Test Report No. **NCTL-110-11363-1**, dated 05/15/08, signed and sealed by Harold E. Rupp, P.E.
(Submitted under NOA No. 08-1021.04)

C. CALCULATIONS

1. Anchor verification calculations and structural analysis, complying with **FBC 5th Edition (2014)**, dated 06/11/15 with revision dated 09/01/15, prepared by PTC Product Design Group, LLC, signed and sealed by Robert J. Amoruso, P.E.
2. Glazing complies with **ASTM E1300-04**

D. QUALITY ASSURANCE

1. Miami-Dade Department of Regulatory and Economic Resources (RER).

E. MATERIAL CERTIFICATIONS

1. Notice of Acceptance No. **14-0916.10** issued to **Kuraray America, Inc.** for their "**Kuraray Butacite® PVB Glass Interlayer**" dated 04/25/15, expiring on 12/11/16.
2. Notice of Acceptance No. **12-1120.02**, issued to **Royal Window and Door Profiles, Plant 13**, for their **White Rigid PVC Exterior Extrusions**, approved on 02/28/13, expiring on 02/28/18.



Manuel Perez, P.E.
Product Control Examiner
NOA No. 18-0122.10

Expiration Date: January 28, 2019
Approval Date: March 08, 2018

Regency Plus, Inc.

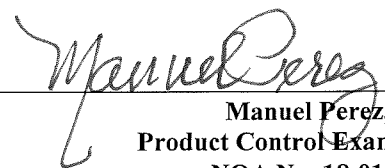
NOTICE OF ACCEPTANCE: EVIDENCE SUBMITTED

F. STATEMENTS

1. Statement letter of conformance, complying with **FBC 5th Edition (2014)**, and of no financial interest, dated 06/01/15, issued by PTC Product Design Group, LLC, signed and sealed by Robert J. Amoruso, P.E.
2. Laboratory compliance letters for Test Report No. **NCTL-110-11363-1**, dated 05/15/08, issued by National Certified Testing Laboratories, Inc., signed and sealed by Harold E. Rupp, P.E.
(Submitted under NOA No. 08-1021.04)

G. OTHERS

1. Notice of Acceptance No. **13-0814.02**, issued to Regency Plus, Inc. for their Series "5108" White PVC Fixed Window – L.M.I., approved on 01/16/14 and expiring on 01/28/19.



Manuel Perez, P.E.
Product Control Examiner
NOA No. 18-0122.10

Expiration Date: January 28, 2019
Approval Date: March 08, 2018

NOTICE OF ACCEPTANCE: EVIDENCE SUBMITTED

2. NEW EVIDENCE SUBMITTED

A. DRAWINGS

1. Drawing No. **RPLS0060**, titled “Impact 5108 Series Fixed Window” sheets 1 through 5 of 5, dated 09/16/08, with revision **G** dated 01/08/18, prepared by PTC Product Design Group, LLC, signed and sealed by Robert J. Amoruso, P.E.

B. TESTS

1. None

C. CALCULATIONS

1. None

D. QUALITY ASSURANCE

1. Miami-Dade Department of Regulatory and Economic Resources (RER)

E. MATERIAL CERTIFICATIONS

1. Notice of Acceptance No. **17-1114.14** issued to **Kuraray America, Inc.** for their “**Trosifol® Ultraclear, Clear and Color PVB Glass Interlayers**” dated 01/18/18, expiring on 07/08/19.
2. Notice of Acceptance No. **16-0712.03**, issued to **ENERGI Fenestration Solutions USA, Inc.**, for their **White Rigid PVC Exterior Extrusions for Windows and Doors**, approved on 08/10/17, expiring on 02/28/18.

F. STATEMENTS

1. Statement letter of conformance, complying with **FBC 6th Edition (2017)**, dated January 8, 2018, prepared by PTC Product Design Group, LLC, signed and sealed by Robert J. Amoruso, P.E.

G. OTHERS

1. Notice of Acceptance No. **15-0618.01**, issued to Regency Plus, Inc. for their Series “5108” White PVC Fixed Window – L.M.I., approved on 10/01/15 and expiring on 01/28/19.


Manuel Pérez, P.E.
Product Control Examiner

NOA No. 18-0122.10

Expiration Date: January 28, 2019

Approval Date: March 08, 2018

REGENCY PLUS, INC.

IMPACT 5108 SERIES FIXED WINDOW

INSTALLATION ANCHORAGE DETAILS

GENERAL NOTES:

1. THE PRODUCT ANCHORAGE SHOWN HEREIN IS DESIGNED TO COMPLY WITH THE CURRENT EDITION OF THE FLORIDA BUILDING CODE (FBC) INCLUDING THE HIGH VELOCITY HURRICANE ZONE (HVHZ) AT THE DESIGN PRESSURES STATED HEREIN.
2. THE PRODUCT DETAILS CONTAINED HEREIN ARE BASED UPON SIGNED AND SEALED TEST REPORT # NCTL-110-11363-1 DATED 05/15/08 AND ASSOCIATED LABORATORY STAMPED DRAWINGS AND WERE TESTED IN ACCORDANCE WITH THE HIGH VELOCITY HURRICANE ZONE TESTING PROTOCOLS TAS-201, TAS-202 AND TAS-203.
3. THE PRODUCT HAS BEEN EVALUATED FOR CONFORMANCE TO THE STANDARDS LISTED IN THE CURRENT EDITION OF THE FLORIDA BUILDING CODE (FBC) AND IS IN COMPLIANCE WITH SAID STANDARDS, INCLUDING HIGH VELOCITY HURRICANE ZONE (HVHZ) REQUIREMENTS.
4. ADEQUACY OF THE EXISTING STRUCTURAL CONCRETE MASONRY AND 2X FRAMING AS A MAIN WIND FORCE RESISTING SYSTEM CAPABLE OF WITHSTANDING AND TRANSFERRING APPLIED PRODUCT LOADS TO THE STRUCTURE IS THE RESPONSIBILITY OF THE ENGINEER OR ARCHITECT OF RECORD.
5. 1X AND 2X BUCKS (WHEN USED) SHALL BE DESIGNED AND ANCHORED TO PROPERLY TRANSFER ALL LOADS TO THE STRUCTURE. BUCK DESIGN AND INSTALLATION IS THE RESPONSIBILITY OF THE ENGINEER OR ARCHITECT OF RECORD.
6. THE INSTALLATION DETAILS DESCRIBED HEREIN ARE GENERIC AND MAY NOT REFLECT ACTUAL CONDITIONS FOR A SPECIFIC SITE. IF SITE CONDITIONS CAUSE INSTALLATION TO DEVIATE FROM THE REQUIREMENTS DETAILED HEREIN, THEN THE BUILDING OFFICIAL MAY ELECT ONE OF THE FOLLOWING OPTIONS:
 - A. OUTSIDE HVHZ: REQUIRE THAT A LICENSED ENGINEER OR ARCHITECT PREPARE AND SUBMIT SITE SPECIFIC DOCUMENTS FOR USE WITH THIS DOCUMENT.
 - B. INSIDE HVHZ: REQUIRE THAT A ONE-TIME SITE SPECIFIC APPROVAL BE APPLIED FOR AND OBTAINED FROM THE MIAMI-DADE COUNTY PRODUCT CONTROL.

DESIGN PRESSURE RATING (PSF)	IMPACT RATING
±55.0 PSF	LARGE MISSILE IMPACT

7. MATERIALS:
- 7.1 WINDOW FRAME MATERIAL: ENERGI FENESTRATION SOLUTIONS USA, INC., WHITE RIGID PVC EXTERIOR EXTRUSIONS FOR WINDOWS AND DOORS PER CURRENT MIAMI-DADE NOTICE OF ACCEPTANCE (NOA).
 - 7.2 GLAZING INTERLAYER KURARAY AMERICA, INC. TROSIFOL INTERLAYER PER CURRENT MIAMI DADE NOTICE OF ACCEPTANCE (NOA).
8. NOT USED.
9. GLASS MEETS THE REQUIREMENTS OF ASTM E1300-04e1. SEE SHEET 3 FOR GLAZING DETAIL.
10. DESIGNATION "O" STANDS FOR THE FOLLOWING:
O: FIXED PANEL
11. A 1/3 INCREASE IN ALLOWABLE STRESS FOR WIND LOADS WAS NOT USED IN THE DESIGN OF THE PRODUCT(S) SHOWN HEREIN. WIND LOAD DURATION FACTOR (Cd = 1.6) HAS BEEN USED FOR WOOD ANCHOR DESIGN WHERE WOOD-ONLY FAILURE GOVERNS. FOR OTHER MATERIALS, APPROPRIATE SAFETY FACTORS PER THE APPLICABLE DESIGN STANDARD ARE USED.
12. IN AREAS WHERE WIND-BOURNE DEBRIS PROTECTION REQUIREMENTS EXIST USE OF AN APPROVED IMPACT PROTECTIVE SYSTEM IS NOT NEEDED.
13. EACH WINDOW ASSEMBLY SHALL BE LABELED WITH A PERMANENT LABEL AND/OR STAMP WITH THE EXTRUDER CODE AND "MCA".

INSTALLATION NOTES:

1. ONE (1) INSTALLATION ANCHOR IS REQUIRED AT EACH ANCHOR LOCATION SHOWN.
2. THE NUMBER OF INSTALLATION ANCHORS DEPICTED IS THE MINIMUM NUMBER OF ANCHORS TO BE USED FOR PRODUCT INSTALLATION.
3. SHIM AS REQUIRED AT EACH INSTALLATION ANCHOR WITH LOAD BEARING SHIM(S). MAXIMUM ALLOWABLE SHIM SIZE IS 1/4 INCH. SHIM WHERE SPACE OF 1/16 INCH OR GREATER OCCURS. SHIM(S) SHALL BE CONSTRUCTED OF HIGH DENSITY PLASTIC OR BETTER.
4. FOR INSTALLATION INTO WOOD FRAMING, USE #12 WOOD SCREWS OF SUFFICIENT LENGTH TO ACHIEVE 1 1/2 INCH MINIMUM EMBEDMENT. MINIMUM EDGE DISTANCE IS 7/8 INCHES.
5. FOR INSTALLATION THROUGH 1X BUCK TO CONCRETE / MASONRY, OR DIRECTLY INTO CONCRETE / MASONRY, USE 1/4 INCH ITW ADVANCED THREADFORM TAPCONS OF SUFFICIENT LENGTH TO ACHIEVE THE FOLLOWING:
 - 5.1. CONCRETE SUBSTRATE
 - 5.1.1. 1 1/2 INCH MINIMUM EMBEDMENT
 - 5.1.2. 1-1/2 INCH MINIMUM EDGE DISTANCE
 - 5.2. MASONRY SUBSTRATE
 - 5.2.1. 1 INCH MINIMUM EMBEDMENT
 - 5.2.2. 2 INCH MINIMUM EDGE DISTANCE
6. FOR PARTING STOP INSTALLATION USE #6 X 1 5/8 INCH WOOD SCREWS. 3/8" MIN. EDGE DISTANCE REQ'D.
7. MINIMUM EMBEDMENT AND EDGE DISTANCE EXCLUDE WALL FINISHES, INCLUDING BUT NOT LIMITED TO STUCCO, FOAM, BRICK VENEER AND SIDING.
8. INSTALLATION ANCHORS AND ASSOCIATED HARDWARE MUST BE MADE OF CORROSION RESISTANT MATERIAL OR HAVE A CORROSION RESISTANT COATING.
9. FOR HOLLOW BLOCK AND GROUT FILLED BLOCK, DO NOT INSTALL INSTALLATION ANCHORS INTO MORTAR JOINTS. EDGE DISTANCE IS MEASURED FROM FREE EDGE OF BLOCK OR EDGE OF MORTAR JOINT INTO FACE SHELL OF BLOCK.
10. INSTALLATION ANCHORS SHALL BE INSTALLED IN ACCORDANCE WITH ANCHOR MANUFACTURER'S INSTALLATION INSTRUCTIONS AND ANCHORS SHALL NOT BE USED IN SUBSTRATES WITH STRENGTHS LESS THAN THE MINIMUM STRENGTH SPECIFIED BY THE ANCHOR MANUFACTURER.
11. INSTALLATION ANCHOR CAPACITIES FOR PRODUCTS HEREIN ARE BASED ON SUBSTRATE MATERIALS WITH THE FOLLOWING PROPERTIES:
 - A. WOOD - SOUTHERN YELLOW PINE - MINIMUM SPECIFIC GRAVITY OF 0.55. LUMBER MUST COMPLY WITH THE CURRENT EDITION FBC/FRC AS RELATED TO WOOD PROTECTION.
 - B. CONCRETE -MINIMUM COMPRESSIVE STRENGTH OF 2500 psi AND CONFORMS TO ACI 301.
 - C. MASONRY - STRENGTH CONFORMS TO ASTM C-90. MEDIUM WEIGHT WITH DENSITY >117 PCF.

TABLE OF CONTENTS		
SHEET	REV.	SHEET DESCRIPTION
1	B	GENERAL NOTES, INSTALLATION NOTES & D.P. CHART
2	B	ELEVATION AND ANCHOR LAYOUTS
3	B	HORIZONTAL & VERTICAL SECTIONS & GLAZING DETAIL - OPT. INSTALLATION
4	B	HORIZONTAL & VERTICAL SECTIONS - PARTING STOP INSTALLATION
5	B	COMPONENTS, BILL OF MATERIALS & CORNER SECTION

PROJECT #417-0907	
G	REV
1/8/18	DATE
RJA	BY
UPDATE TO 6TH ED. (2017) FBC	DESCRIPTION

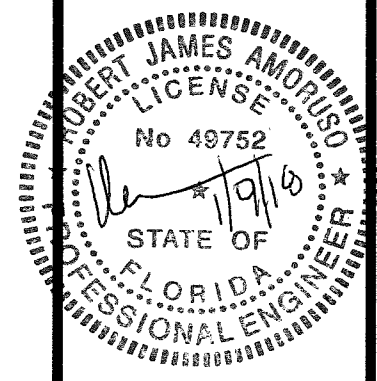
REGENCY PLUS, INC.
2000 LOCUST GAP HIGHWAY
MT. CARMEL, PA 17851

TITLE: IMPACT 5108 SERIES FIXED WINDOW
GENERAL NOTES, INSTALLATION NOTES & D.P. CHART

DRAWN BY: BB	DATE: 09/16/08	DRAWING NO: RPLS0060	SHEET: 1 OF 5
SCALE: N.T.S.	REV: G		

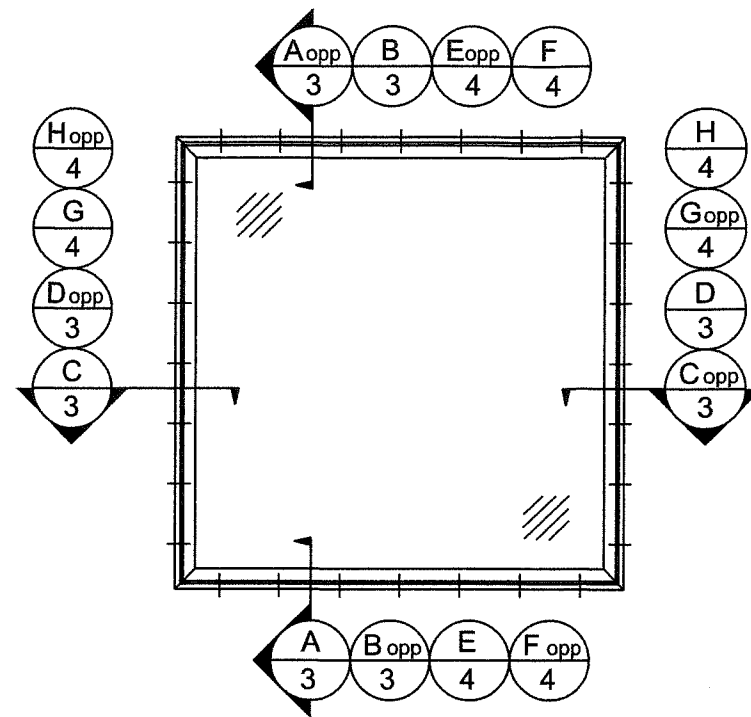
PTC Product Design Group, LLC
PO Box 520775, Longwood, FL 32752-0775
321-690-1788 info@ptc-corp.com
FBPE Cert. of Auth. No. 25935

Robert J. Amoruso, P.E.
Florida P.E. No. 49752

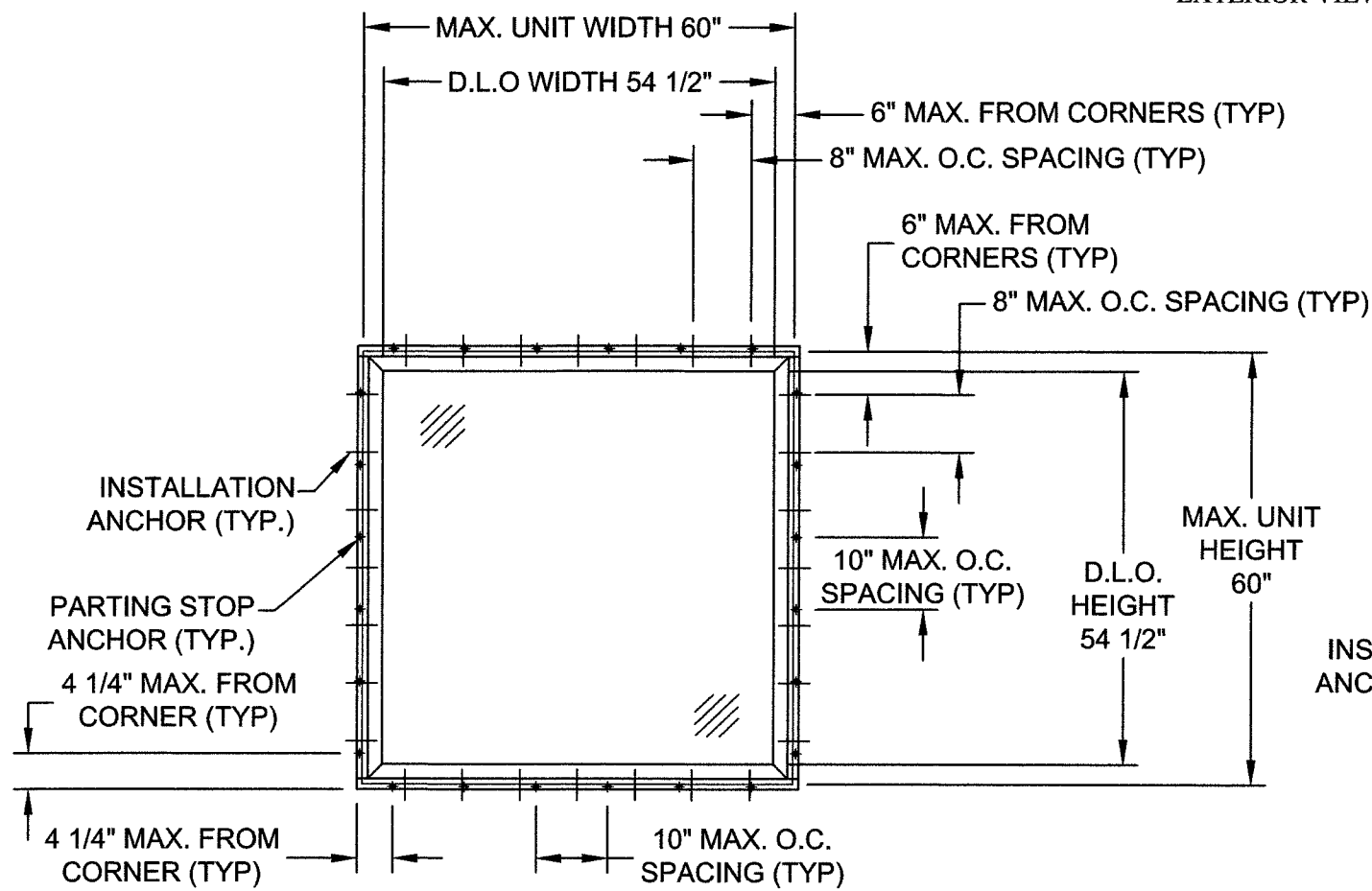


PRODUCT REVISED as complying with the Florida Building Code Acceptance No. 18-0122-10 Expiration Date Jan 29, 2019

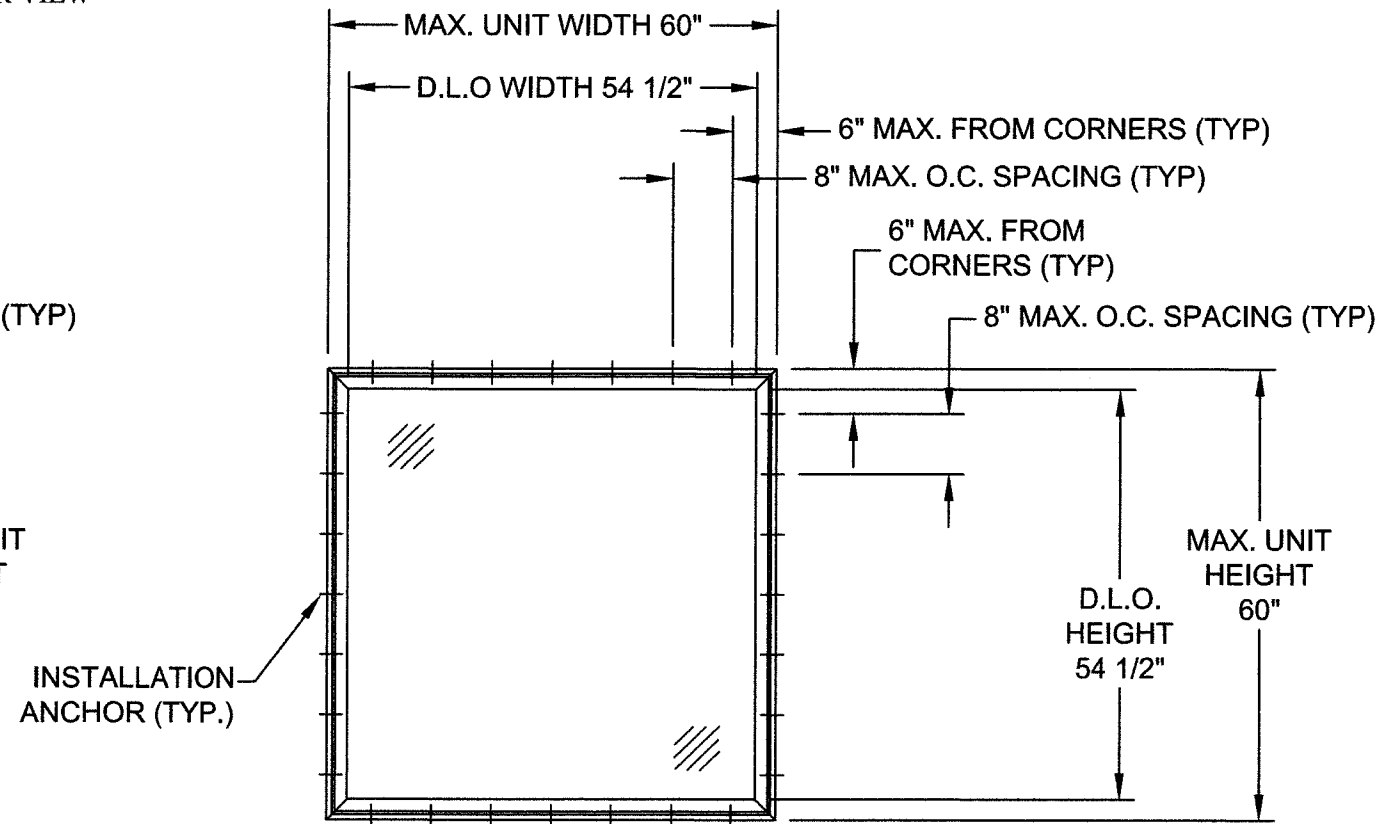
By: *Manuel Perez*
Miami Dade Product Control



ELEVATION
EXTERIOR VIEW



ANCHOR LAYOUT
PARTING STOP INSTALLATION
EXTERIOR VIEW



ANCHOR LAYOUT
OPTIONAL INSTALLATION
EXTERIOR VIEW

PROJECT #417-0907

DATE	1/8/18	BY	RJA
DESCRIPTION	UPDATE TO 6TH ED. (2017) FBC	REV	G

REGENCY PLUS, INC.
2000 LOCUST GAP HIGHWAY
MT. CARMEL, PA 17851

IMPACT 5108 SERIES FIXED WINDOW
ELEVATION AND ANCHOR LAYOUTS

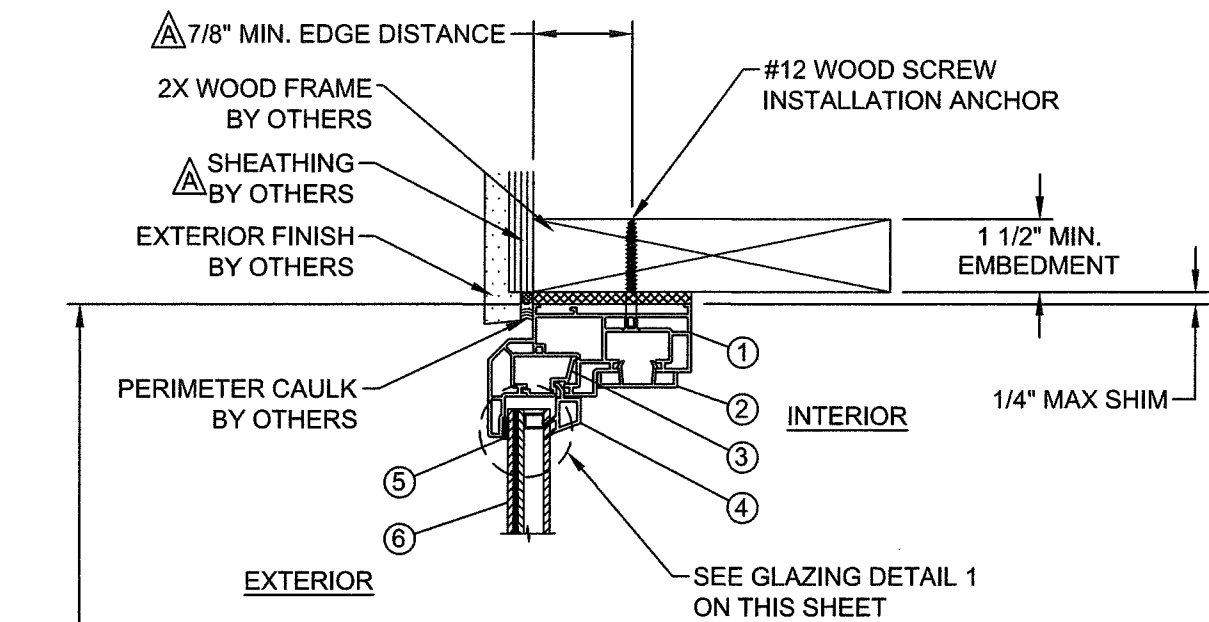
DATE: 09/16/08
DRAWING NO.: RPLS0060
SHEET: 2 OF 5

DRAWN BY: BB
SCALE: N.T.S.
REV: G

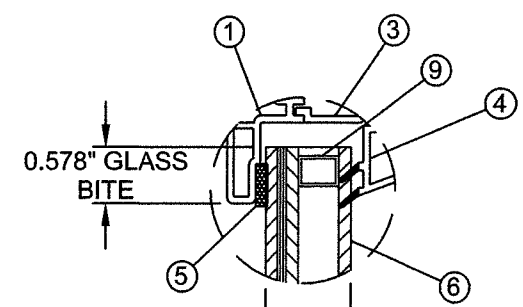
PTC Product Design Group, LLC
PO Box 520775, Longwood, FL 32752-0775
321-690-1788 info@ptc-corp.com
FBPE Cert. of Auth. No. 25935

Robert J. Amoroso, P.E.
Florida P.E. No. 49752

PRODUCT REVISED
as complying with the Florida
Building Code
Acceptance No. 18-0122-10
Expiration Date Jan 28, 2019
By *Manuel Perry*
Miami Dade Product Control

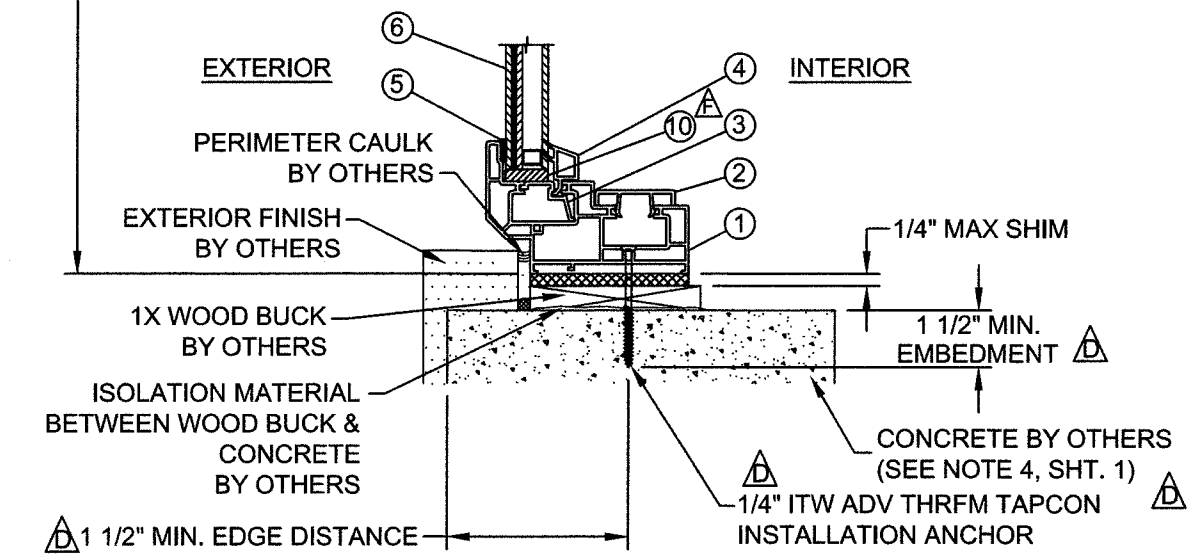


B VERTICAL SECTION
OPTIONAL INSTALLATION
WOOD FRAME SUBSTRATE

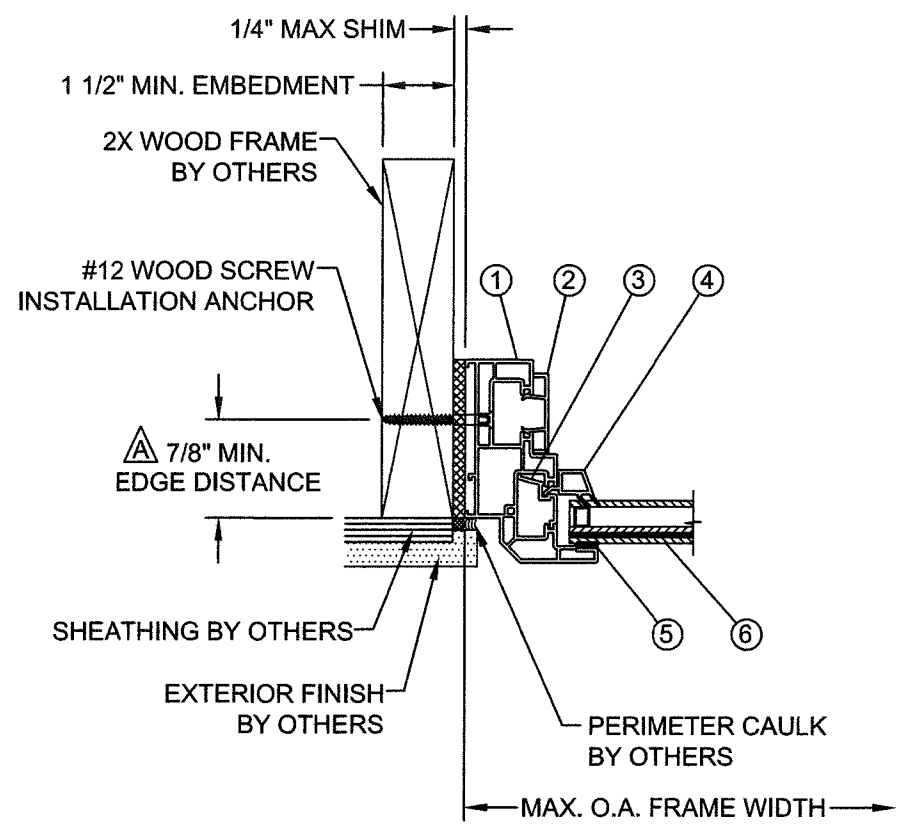


G 7/8" O.A. INSULATING GLASS CONSISTING OF:
1/8" ANNEALED GLASS, 0.090" TROSIFOL INTERLAYER
BY KURARAY AMERICA INC., 1/8" ANNEALED GLASS,
0.39" AIR SPACE, 1/8" INTERIOR TEMPERED GLASS

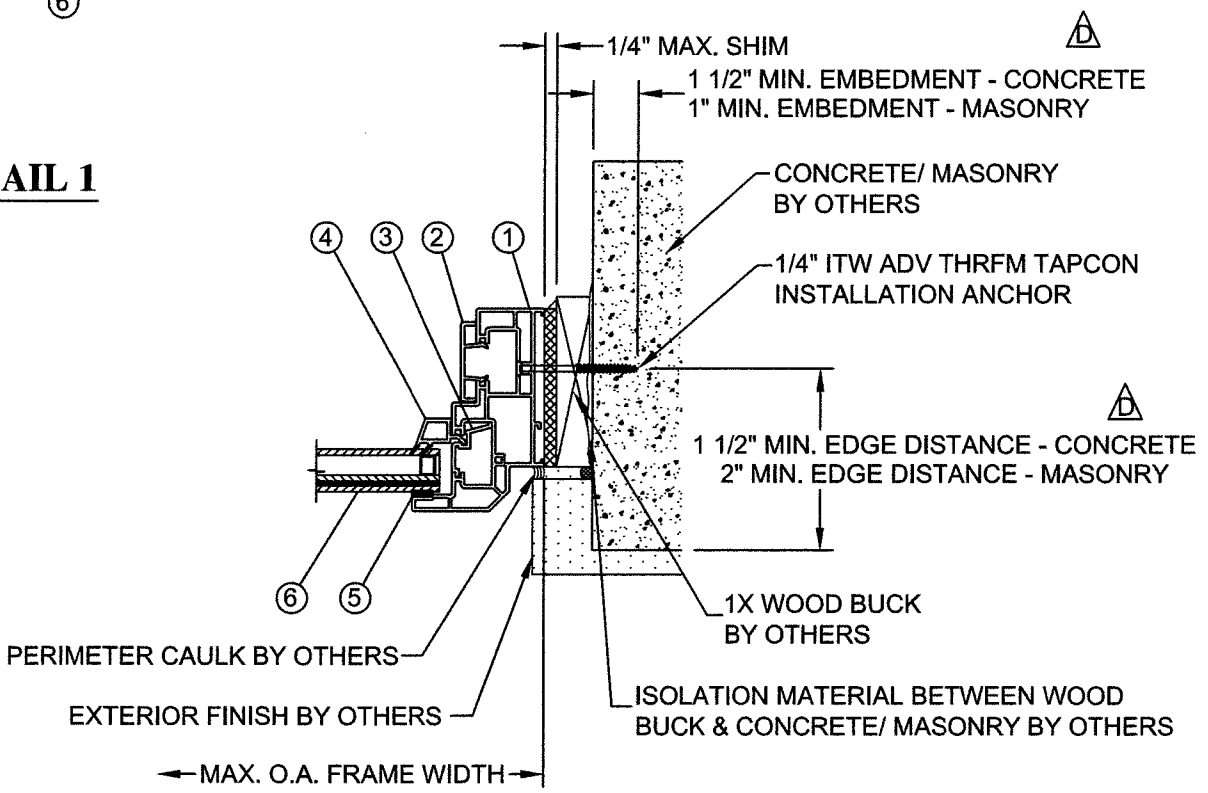
GLAZING DETAIL 1



A VERTICAL SECTION
OPTIONAL INSTALLATION
CONCRETE SUBSTRATE



C HORIZONTAL SECTION
OPTIONAL INSTALLATION
WOOD FRAME SUBSTRATE



D HORIZONTAL SECTION
OPTIONAL INSTALLATION
CONCRETE / MASONRY SUBSTRATE

PROJECT #417-0907	DATE	BY
	1/8/18	RJA
	UPDATE TO 6TH ED. (2017) FBC	
	DESCRIPTION	REV
		G

REGENCY PLUS, INC.
2000 LOCUST GAP HIGHWAY
MT. CARMEL, PA 17851

TITLE: IMPACT 5108 SERIES FIXED WINDOW
HORIZONTAL & VERTICAL SECT. & GLAZING DETAIL OPT. INSTALL

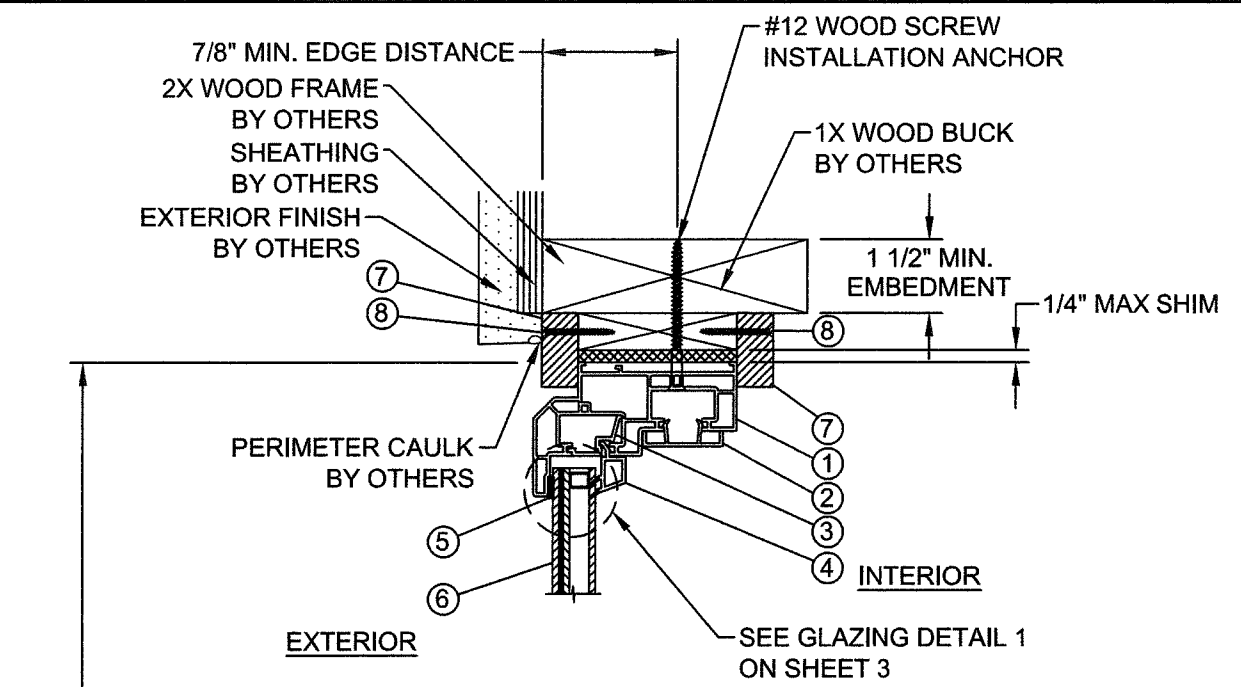
DATE: 09/16/08
DRAWING NO.: RPLS0060
SCALE: N.T.S.
SHEET: 3 OF 5

PTC Product Design Group, LLC
PO Box 520775, Longwood, FL 32752-0775
321-690-1788 info@ptc-corp.com
FBPE Cert. of Auth. No. 25935

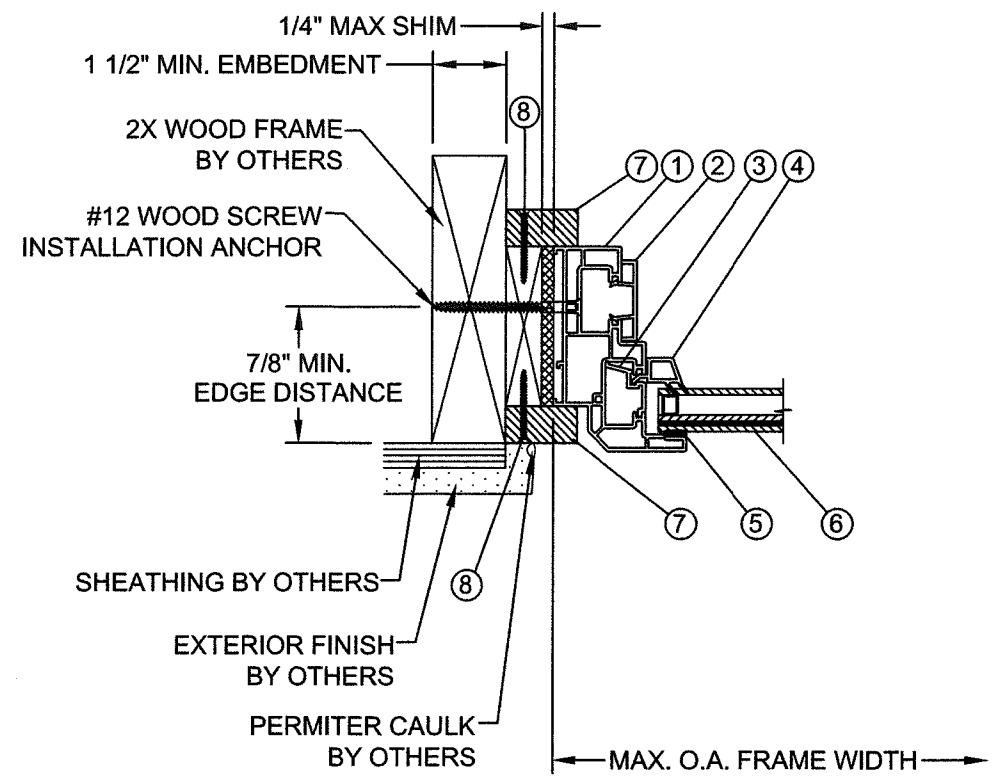
Robert J. Amoruso, P.E.
Florida P.E. No. 49752

ROBERT JAMES AMORUSO
LICENSE
No 49752
STATE OF FLORIDA
PROFESSIONAL ENGINEER

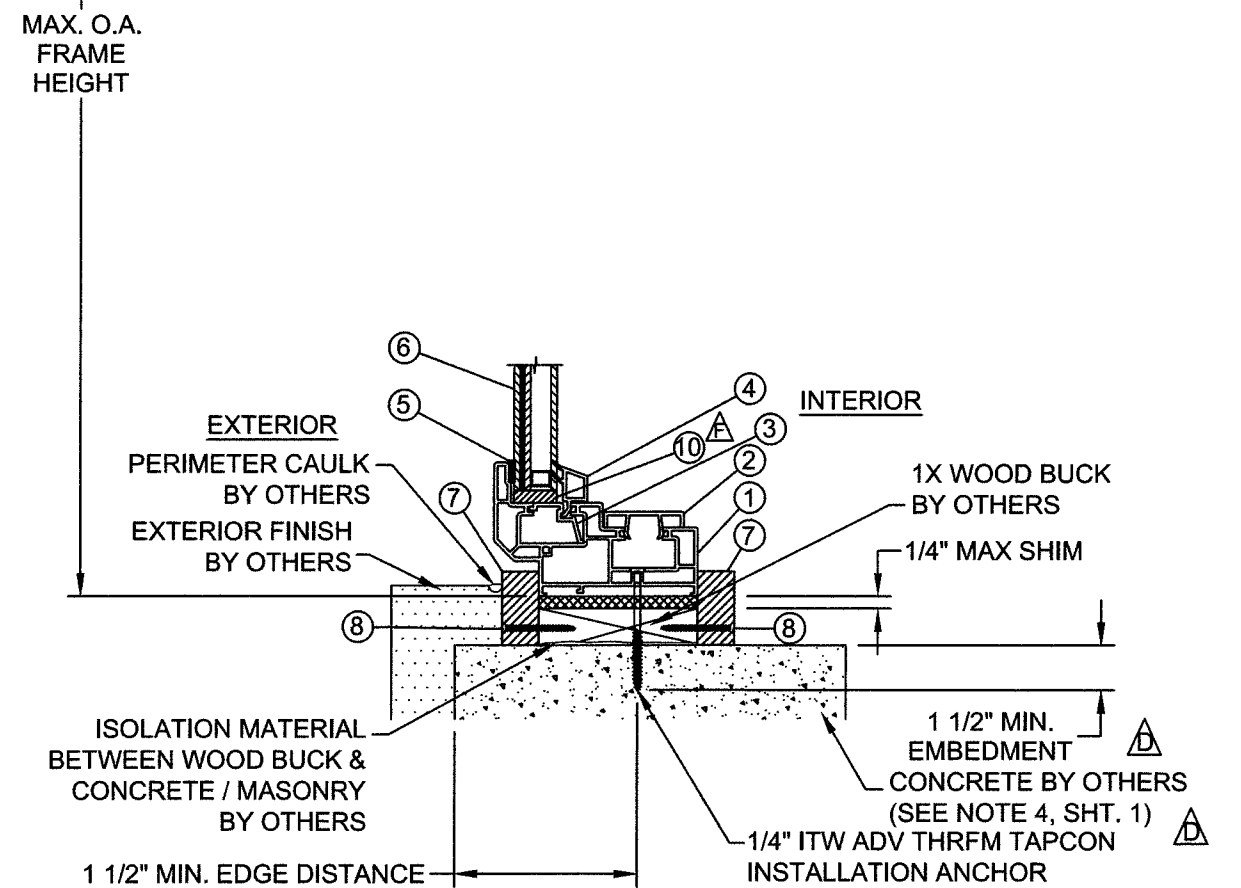
PRODUCT REVISED
as complying with the Florida
Building Code
Acceptance No. 18-0122.10
Expiration Date Jan 28, 2019
By: *[Signature]*
Miami Date Product Control



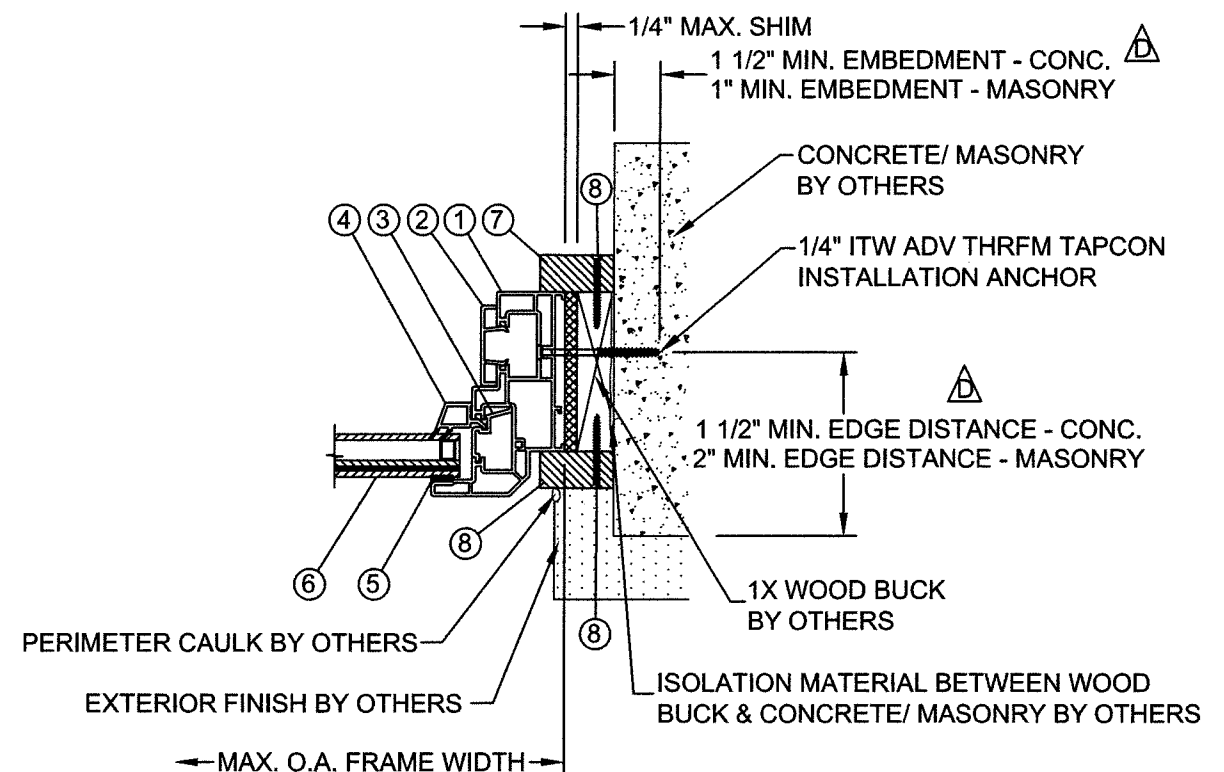
F **VERTICAL SECTION**
PARTING STOP INSTALLATION
WOOD FRAME SUBSTRATE



G **HORIZONTAL SECTION**
PARTING STOP INSTALLATION
WOOD FRAME SUBSTRATE



E **VERTICAL SECTION**
PARTING STOP INSTALLATION
CONCRETE SUBSTRATE



H **HORIZONTAL SECTION**
PARTING STOP INSTALLATION
CONCRETE / MASONRY SUBSTRATE

PROJECT #417-0907

		RJA	BY
		1/8/18	DATE
G	REV	UPDATE TO 6TH ED. (2017) FBC	DESCRIPTION

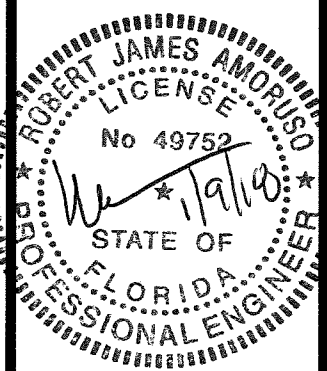
REGENCY PLUS, INC.
2000 LOCUST GAP HIGHWAY
MT. CARMEL, PA 17851

TITLE: HORIZONTAL & VERTICAL SECTIONS - PARTING STOP INSTALL.

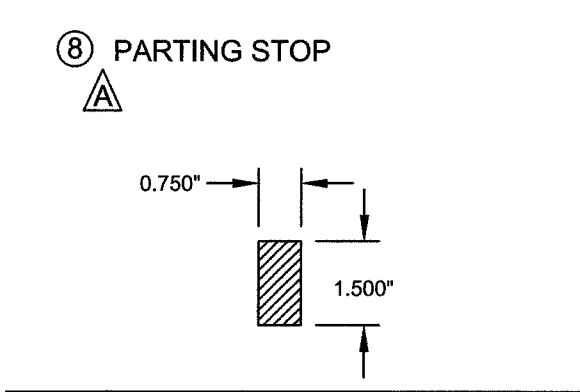
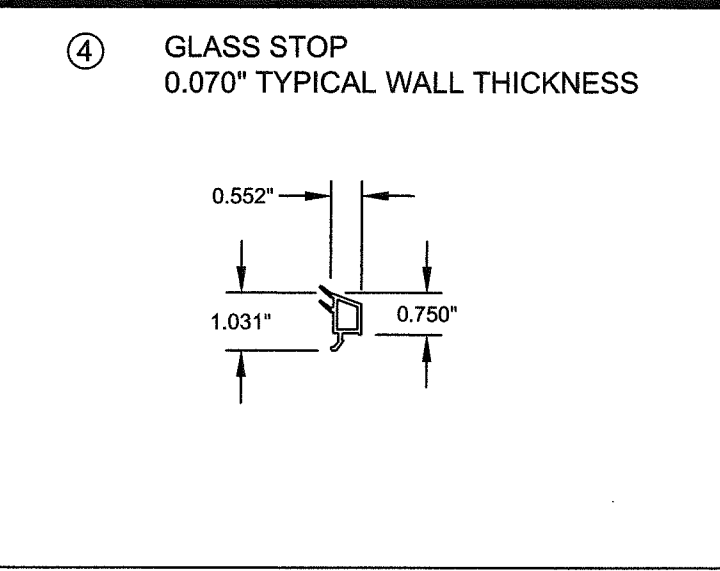
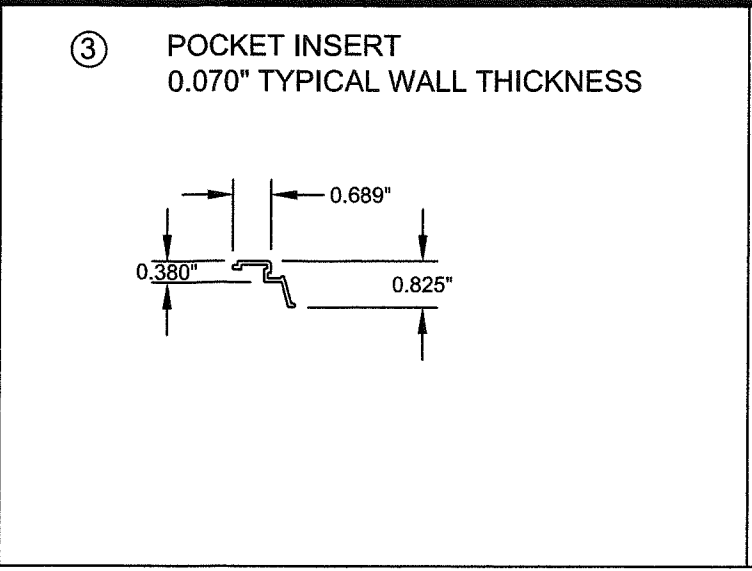
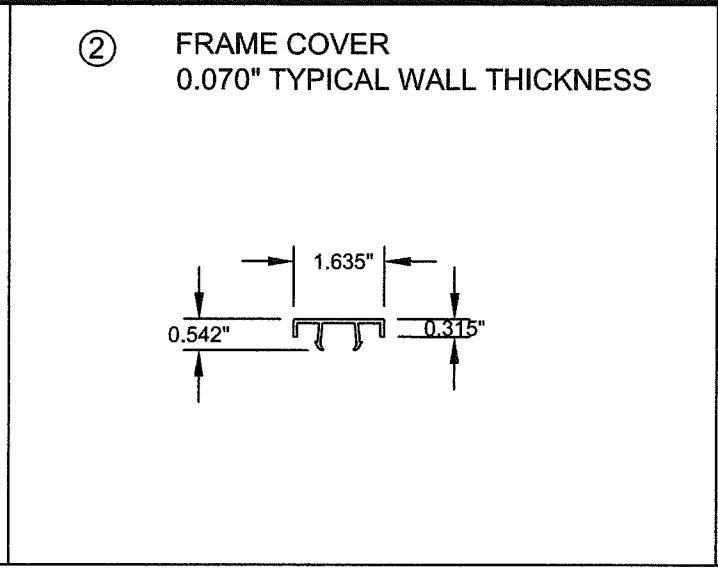
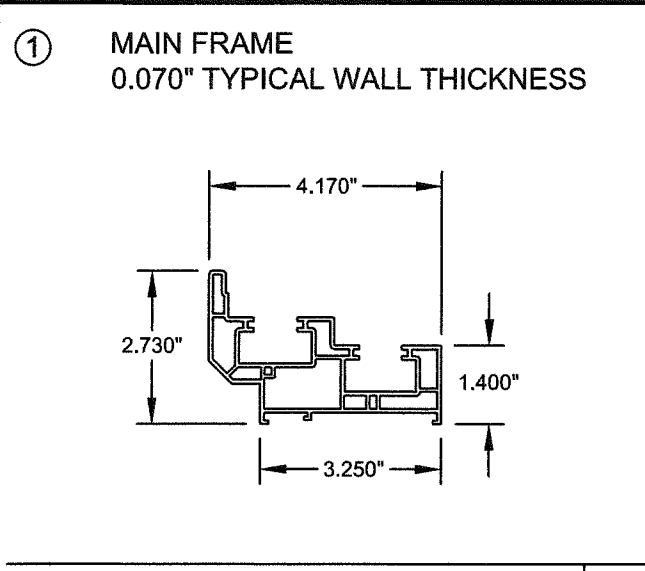
DATE:	09/16/08
DRAWING NO.:	RPLS0060
SCALE:	N.T.S.
SHEET:	4 OF 5

PC Product Design Group, LLC
PO Box 520775, Longwood, FL 32752-0775
321-690-1788 info@pdc-corp.com
FBPE Cert. of Auth. No. 25935

Robert J. Amoruso, P.E.
Florida P.E. No. 49752

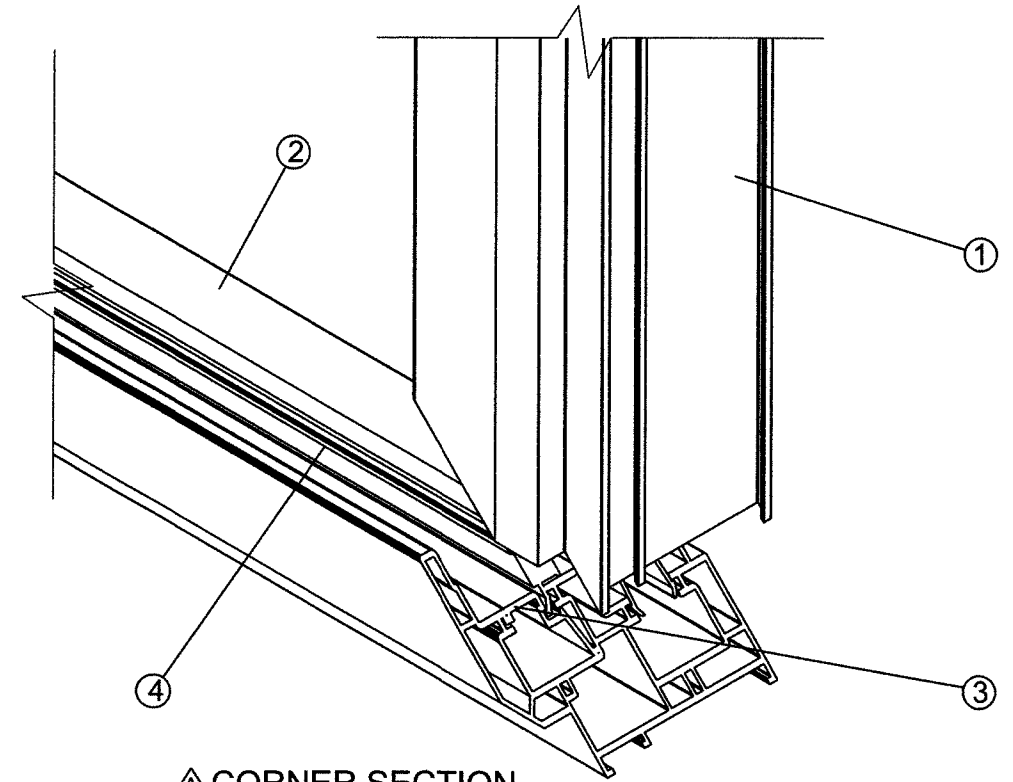


PRODUCT REVISED
as complying with the Florida
Building Code
Acceptance No 18-0122-10
Expiration Date Jan 25, 2019
By Manuel Perez
Mizas Product Control



SYM #	PART #	DESCRIPTION	MATERIAL	MANUFACTURER
△ 1	IV-1060	MAIN FRAME	WHITE RIGID PVC	** EFS △G
△ 2	IV-1070	FRAME COVER	WHITE RIGID PVC	** EFS △G
△ 3	IV-1079	POCKET INSERT	WHITE RIGID PVC	** EFS △G
△ 4	IV-1103	GLASS STOP	WHITE RIGID PVC	** EFS △G
5	IV-1070	SIKA FLEX 552 SILICONE BACK BEDDING	SILICONE	SIKA
6	----	7/8" O.A. INSULATING GLASS CONSISTING OF: 1/8" INTERIOR TEMPERED GLASS, 0.39" AIR SPACE, 1/8" ANNEALED GLASS, 0.090" TROSIFOL INTERLAYER BY KURARAY AMERICA, INC., 1/8" ANNEALED GLASS	GLASS	----
△ 7	----	1 1/2" X 3/4" PARTING STOP	WOOD	----
△ 8	----	#6 X 1 5/8" WOOD SCREW (INSTALLATION ANCHOR)	STEEL	----
△ 9	----	ENDUR 9.8 SS SPACER	STAINLESS STL.	CARDINAL
△ 10	2NB-8K-125-028-026	GLAZING PAD (SETTING BLOCK)	NEOPRENE	FRANK LOWE

△G
** EFS: ENERGI FENESTRATION SOLUTIONS USA, INC., PER CURRENT MD NOA.



△ CORNER SECTION

PROJECT #417-0907

REV	DESCRIPTION	DATE	BY
G	UPDATE TO 6TH ED. (2017) FBC	1/8/18	RJA

REGENCY PLUS, INC.
2000 LOCUST GAP HIGHWAY
MT. CARMEL, PA 17851

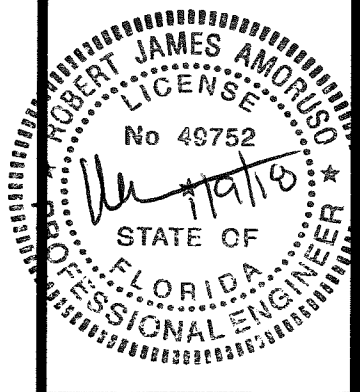
TITLE: IMPACT 5108 SERIES FIXED WINDOW COMPONENTS, BILL OF MATERIALS & CORNER SECTION

DATE: 09/16/08
DRAWING NO: RPLS0060
SHEET: 5 OF 5

DRAWN BY: BB
SCALE: N.T.S.
REV: G

PTC Product Design Group, LLC
PO Box 520775, Longwood, FL 32752-0775
321-690-1788 info@ptc-corp.com
FBPE Cert. of Auth. No. 25935

Robert J. Amoruso, P.E.
Florida P.E. No. 49752



PRODUCT REVISED
as complying with the Florida Building Code
Acceptance No 18-0122.10
Expiration Date Jan. 28, 2019
By: Manuel Jesus
Miami Dade Product Control