



DEPARTMENT OF REGULATORY AND ECONOMIC RESOURCES (RER)
BOARD AND CODE ADMINISTRATION DIVISION

NOTICE OF ACCEPTANCE (NOA)

MIAMI-DADE COUNTY
PRODUCT CONTROL SECTION

11805 SW 26 Street, Room 208
T (786) 315-2590 F (786) 315-2599

www.miamidade.gov/economy

Florida Window Systems, Corp.
6860 NW 75 Street
Medley, FL 33166

SCOPE:

This NOA is being issued under the applicable rules and regulations governing the use of construction materials. The documentation submitted has been reviewed and accepted by Miami-Dade County RER - Product Control Section to be used in Miami Dade County and other areas where allowed by the Authority Having Jurisdiction (AHJ).

This NOA shall not be valid after the expiration date stated below. The Miami-Dade County Product Control Section (In Miami-Dade County) and/or the AHJ (in areas other than Miami-Dade County) reserve the right to have this product or material tested for quality assurance purposes. If this product or material fails to perform in the accepted manner, the manufacturer will incur the expense of such testing and the AHJ may immediately revoke, modify, or suspend the use of such product or material within their jurisdiction. RER reserves the right to revoke this acceptance, if it is determined by Miami-Dade County Product Control Section that this product or material fails to meet the requirements of the applicable building code.

This product is approved as described herein, and has been designed to comply with the Florida Building Code, including the High Velocity Hurricane Zone.-

DESCRIPTION: Series "FWS-300" Aluminum Horizontal Sliding Window – L.M.I.

APPROVAL DOCUMENT: Drawing No. **W07-80**, titled "Series FWS-300 Alum. Horiz. Sliding Wdw. (L.M.I.)", sheets 1 through 7 of 7, dated 10/15/07, with revision **D** dated 01/16/18, prepared by Al-Farooq Corporation, signed and sealed by Javad Ahmad, P.E., bearing the Miami-Dade County Product Control Revision stamp with the Notice of Acceptance number and expiration date by the Miami-Dade County Product Control Section.

MISSILE IMPACT RATING: Large and Small Missile Impact Resistant

LABELING: Each unit shall bear a permanent label with the manufacturer's name or logo, city, state, model/series, and following statement: "Miami-Dade County Product Control Approved", unless otherwise noted herein.

RENEWAL of this NOA shall be considered after a renewal application has been filed and there has been no change in the applicable building code negatively affecting the performance of this product.

TERMINATION of this NOA will occur after the expiration date or if there has been a revision or change in the materials, use, and/or manufacture of the product or process. Misuse of this NOA as an endorsement of any product, for sales, advertising or any other purposes shall automatically terminate this NOA. Failure to comply with any section of this NOA shall be cause for termination and removal of NOA.

ADVERTISEMENT: The NOA number preceded by the words Miami-Dade County, Florida, and followed by the expiration date may be displayed in advertising literature. If any portion of the NOA is displayed, then it shall be done in its entirety.

INSPECTION: A copy of this entire NOA shall be provided to the user by the manufacturer or its distributors and shall be available for inspection at the job site at the request of the Building Official.

This NOA **revises and renews NOA# 15-1103.03** and consists of this page 1 and evidence pages E-1 and E-2, as well as approval document mentioned above.

The submitted documentation was reviewed by **Sifang Zhao, P.E.**



S.Z.
05/02/2018

NOA No. 18-0322.08
Expiration Date: May 01, 2023
Approval Date: May 10, 2018
Page 1

NOTICE OF ACCEPTANCE: EVIDENCE SUBMITTED

1. EVIDENCE SUBMITTED UNDER PREVIOUS NOA's

A. DRAWINGS

1. Manufacturer's die drawings and sections.
(Submitted under NOA#07-1025.09)
2. Drawing No **W07-80**, Sheets 1 through 7 of 7, titled "Series FWS-300 Alum. Horiz. Sliding Wdw. (L.M.I.)", dated 10/15/07, with revision **C** dated 12/30/15, prepared by Al-Farooq Corporation, signed and sealed by Javad Ahmad, P.E.

B. TESTS

1. Test reports on: 1) Large Missile Impact Test per FBC, TAS 201-94
2) Cyclic Wind Pressure Loading per FBC, TAS 203-94
along with marked-up drawings and installation diagram of an aluminum horizontal sliding window, prepared by Hurricane Engineering & Testing, Inc., Test Report Nos. **HETI-07-4417** and **HETI-05-1944**, dated 12/13/07, signed and sealed by Candido F. Font, P.E.
(Submitted under NOA#07-1025.09)
2. Test reports on: 1) Air Infiltration Test, per FBC, TAS 202-94
2) Uniform Static Air Pressure Test, Loading per FBC TAS 202-94
3) Water Resistance Test, per FBC, TAS 202-94
4) Forced Entry Test, per FBC 2411 3.2.1, TAS 202-94
along with marked-up drawings and installation diagram of an aluminum horizontal sliding window, prepared by Hurricane Engineering & Testing, Inc., Test Report No. **HETI-05-1439**, dated 12/13/07, signed and sealed by Candido F. Font, P.E.
(Submitted under NOA#07-1025.09)

C. CALCULATIONS

1. Anchor verification calculations and structural analysis, complying with **FBC 5th Edition (2014)**, dated 07/21/15 and 12/09/15, prepared by Al-Farooq Corporation, signed and sealed by Javad Ahmad, P.E.
2. Glazing complies with **ASTM E1300-09**

D. QUALITY ASSURANCE

1. Miami-Dade Department of Regulatory and Economic Resources (RER).

E. MATERIAL CERTIFICATIONS

1. NOA No. **14-0423.15** issued to **Eastman Chemical Company (MA)** for their "**Saflex CP – Saflex and Saflex HP Composite Glass Interlayers with PET Core**" dated 06/19/14, expiring on 12/11/18.
2. NOA No. **14-0423.17** issued to **Eastman Chemical Company (MA)** for their "**Saflex Clear and Color Glass Interlayers**" dated 06/19/14, expiring on 05/21/16.



Sifang Zhao, P.E.
Product Control Examiner
NOA No. 18-0322.08
Expiration Date: May 01, 2023
Approval Date: May 10, 2018

Florida Window Systems, Corp.

NOTICE OF ACCEPTANCE: EVIDENCE SUBMITTED

F. STATEMENTS

1. Statement letter of conformance, complying with **FBC 5th Edition (2014)**, and of no financial interest, dated July 21, 2015, issued by Al-Farooq Corporation, signed and sealed by Javad Ahmad, P.E.

G. OTHERS

1. Notice of Acceptance No. **13-0402.01**, issued to Florida Window Systems, Corp., for their Series "FWS-300" Aluminum Horizontal Sliding Window – L.M.I., approved on 05/16/13 and expiring on 05/01/18.

2. NEW EVIDENCE SUBMITTED

A. DRAWINGS

1. Drawing No **W07-80**, Sheets 1 through 7 of 7, titled "Series FWS-300 Alum. Horiz. Sliding Wdw. (L.M.I.)", dated 10/15/07, with revision **D** dated 01/16/18, prepared by Al-Farooq Corporation, signed and sealed by Javad Ahmad, P.E.

B. TESTS

1. None

C. CALCULATIONS

1. Anchor verification complying with **FBC 6th Edition (2017)**, dated 01/09/2018, prepared by Al-Farooq Corporation, signed and sealed by Javad Ahmad, P.E.

D. QUALITY ASSURANCE

1. Miami-Dade Department of Regulatory and Economic Resources (RER)

E. MATERIAL CERTIFICATIONS

1. NOA No. **17-0712.03** issued to **Eastman Chemical Company (MA)** for their "**Saflex CP – Saflex and Saflex HP Composite Glass Interlayers with PET Core**" dated 09/07/17, expiring on 12/11/18.
2. NOA No. **17-0712.05** issued to **Eastman Chemical Company (MA)** for their "**Saflex Clear and Color Glass Interlayers**" dated 09/07/17, expiring on 05/21/21.

F. STATEMENTS

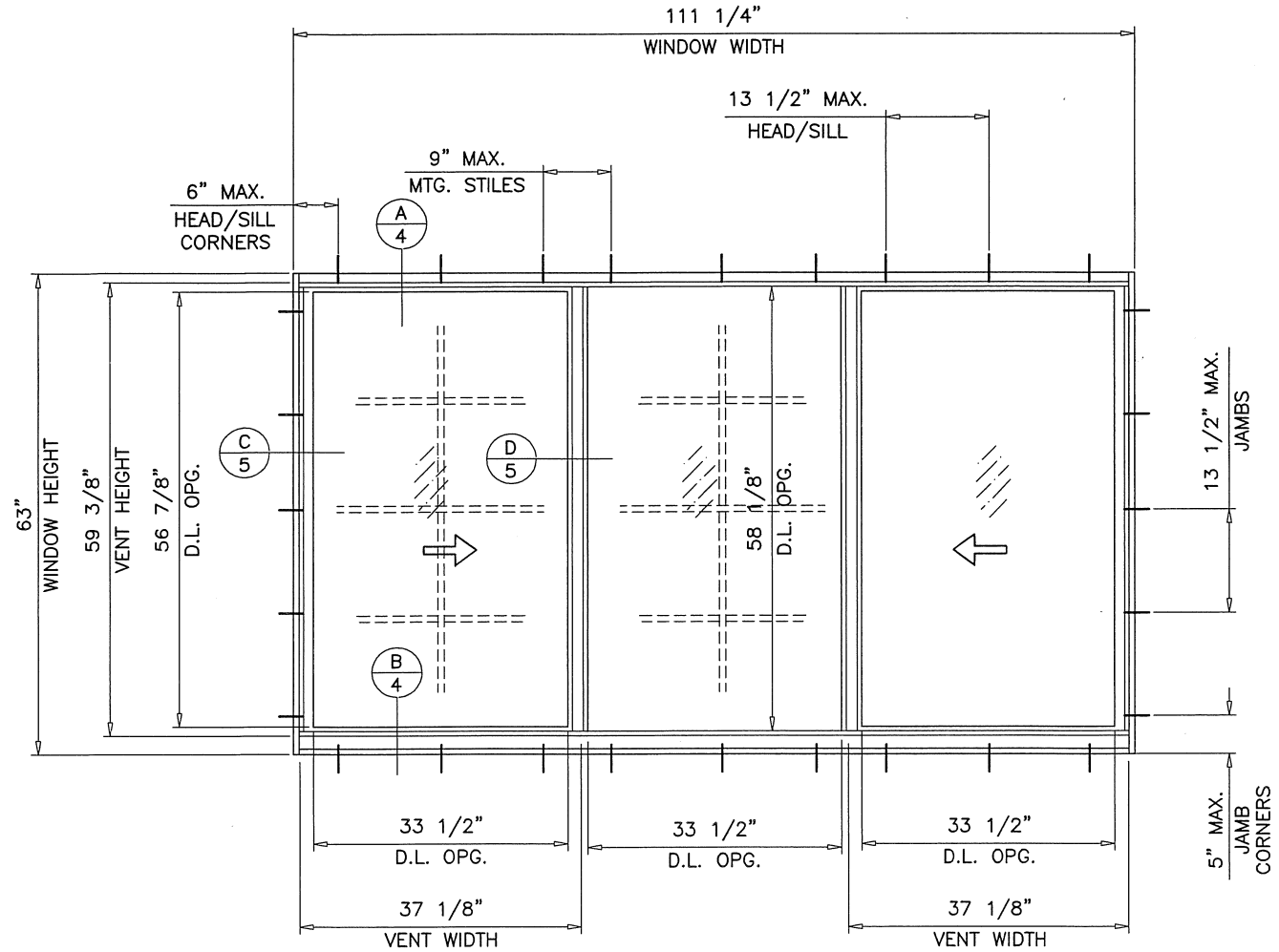
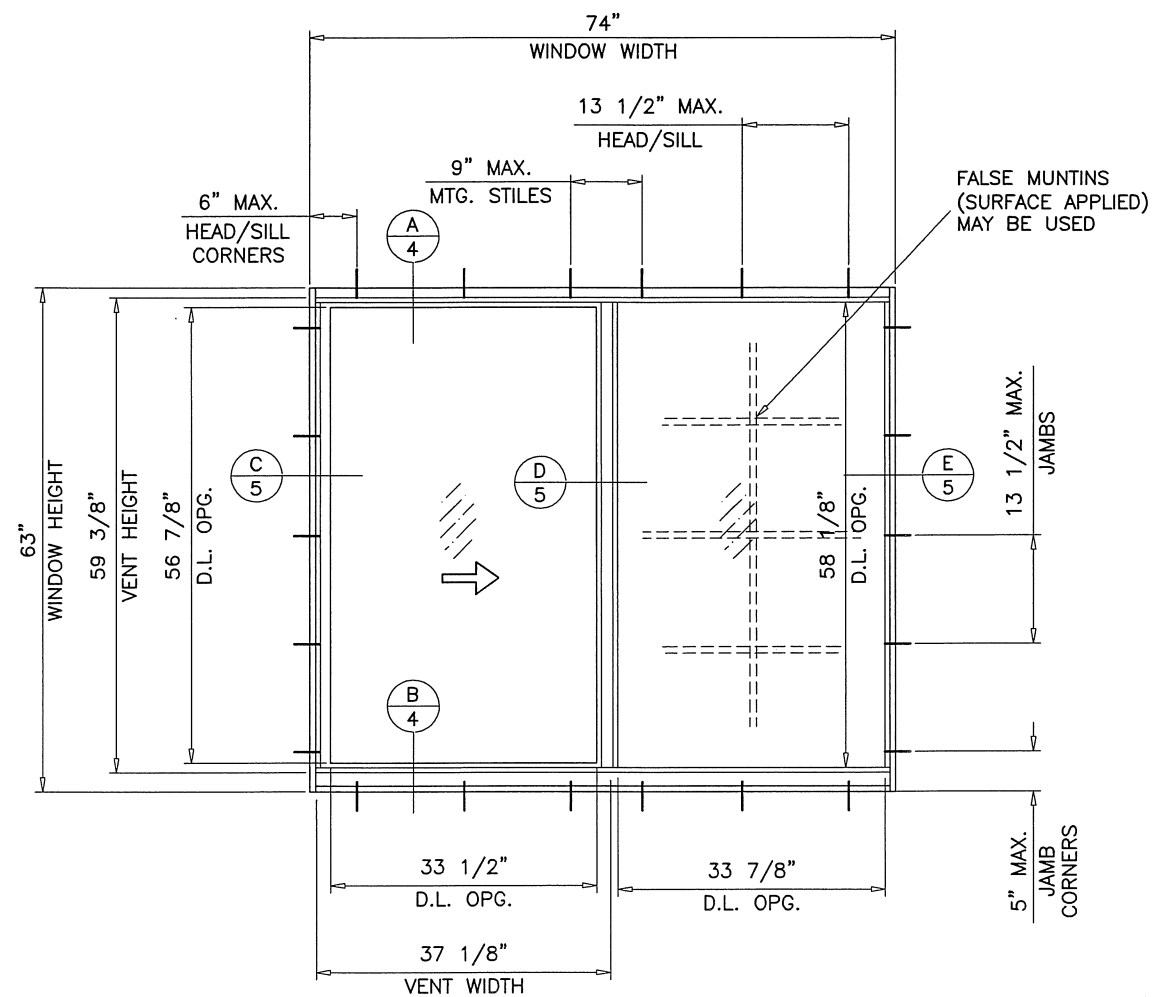
1. Statement letter of conformance, complying with **FBC 6th Edition (2017)**, and of no financial interest, dated January 09, 2018, issued by Al-Farooq Corporation, signed and sealed by Javad Ahmad, P.E.

G. OTHERS

1. Notice of Acceptance No. **15-1103.03**, issued to Florida Window Systems, Corp., for their Series "FWS-300" Aluminum Horizontal Sliding Window – L.M.I., approved on 05/16/13 and expiring on 05/01/18.



Sifang Zhao, P.E.
Product Control Examiner
NOA No. 18-0322.08
Expiration Date: May 01, 2023
Approval Date: May 10, 2018



TYPICAL ELEVATIONS

**SERIES FWS-300
ALUMINUM HORIZONTAL SLIDING WINDOW**

DESIGN LOAD RATINGS FOR THESE WINDOWS TO BE AS PER CHARTS SHOWN ON SHEETS 2 & 3.

APPROVAL APPLIES TO SINGLE UNITS OR SIDE BY SIDE COMBINATIONS OF H.S./H.S. OR HORIZONTAL SLIDING WITH OTHER WINDOW TYPES IN MODULES OF TWO OR MORE WINDOWS USING MIAMI-DADE COUNTY APPROVED MULLIONS IN BETWEEN. LOWER DESIGN PRESSURE FROM WINDOWS OR MULLION APPROVAL WILL APPLY TO ENTIRE SYSTEM.

THIS PRODUCT HAS BEEN DESIGNED AND TESTED TO COMPLY WITH THE REQUIREMENTS OF THE 2017 (6TH EDITION) FLORIDA BUILDING CODE INCLUDING HIGH VELOCITY HURRICANE ZONE (HVHZ).

1BY OR 2BY WOOD BUCKS & BUCK FASTENERS BY OTHERS, MUST BE DESIGNED AND INSTALLED ADEQUATELY TO TRANSFER APPLIED PRODUCT LOADS TO THE BUILDING STRUCTURE.

ANCHORS SHALL BE CORROSION RESISTANT, SPACED AS SHOWN ON DETAILS AND INSTALLED PER MANUF'S INSTRUCTIONS. SPECIFIED EMBEDMENT TO BASE MATERIAL SHALL BE BEYOND WALL DRESSING OR STUCCO.

A LOAD DURATION INCREASE IS USED IN DESIGN OF ANCHORS INTO WOOD ONLY.

ALL SHIMS TO BE HIGH IMPACT, NON-METALLIC AND NON-COMPRESSIBLE.

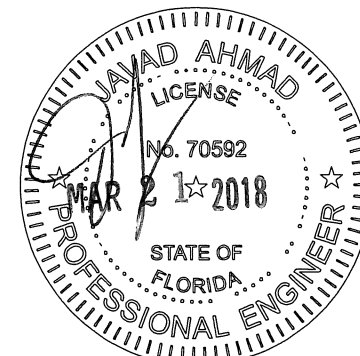
MATERIALS INCLUDING BUT NOT LIMITED TO STEEL/METAL SCREWS, THAT COME INTO CONTACT WITH OTHER DISSIMILAR MATERIALS SHALL MEET THE REQUIREMENTS OF THE 2017 FLORIDA BLDG. CODE & ADOPTED STANDARDS.

THIS PRODUCT APPROVAL IS GENERIC AND DOES NOT PROVIDE INFORMATION FOR A SITE SPECIFIC PROJECT, I.E. LIFE SAFETY OF THIS PRODUCT, ADEQUACY OF STRUCTURE RECEIVING THIS PRODUCT AND SEALING AROUND OPENING FOR WATER INFILTRATION RESISTANCE ETC. CONDITIONS NOT SHOWN IN THIS DRAWING ARE TO BE ANALYZED SEPARATELY, AND TO BE REVIEWED BY BUILDING OFFICIAL.

THESE WINDOWS ARE RATED FOR LARGE & SMALL MISSILE IMPACT. SHUTTERS ARE NOT REQUIRED.

PRODUCT REVISED
as complying with the Florida
Building Code
Acceptance No. 18-0322-08
Expiration Date 05/01/2023

By [Signature]
Miami Dade Product Control



af c
AL-FAROOQ CORPORATION
ENGINEERS & PRODUCT DEVELOPMENT
9360 SUNSET DRIVE, SUITE 220 (C.A.N. 3538)
MIAMI, FLORIDA 33173
TEL. (305) 264-8100 FAX. (305) 262-6978
COMP-ANL\W07-80FWS

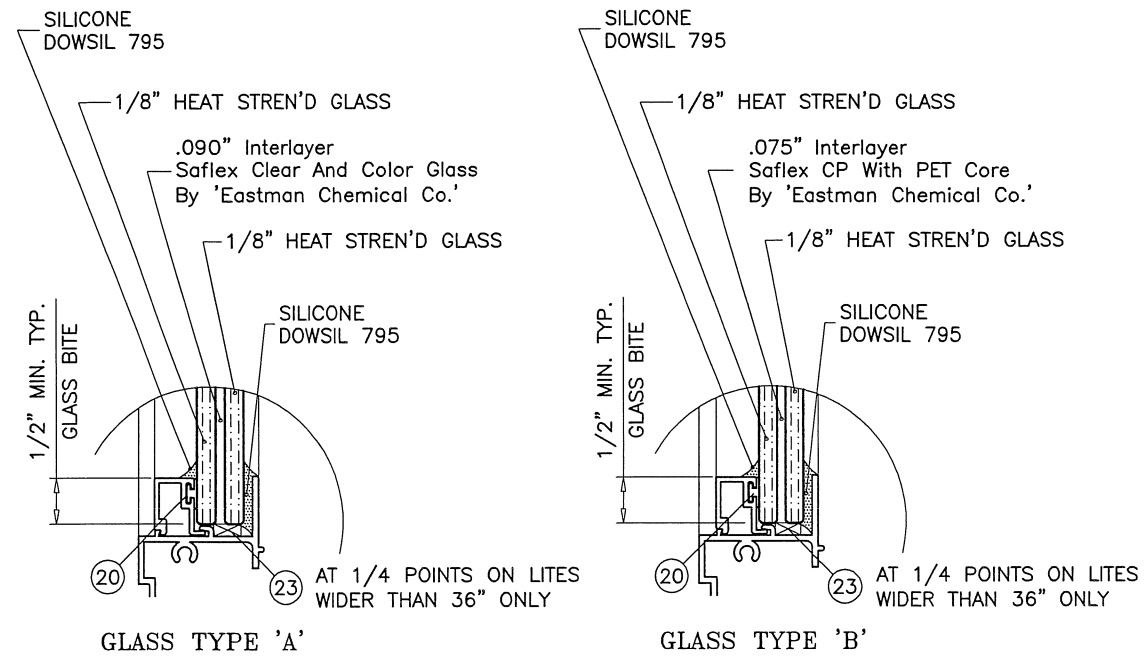
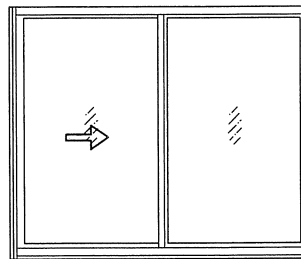
SERIES FWS-300 ALUM HORIZ. SLIDING WDW. (L.M.I.)
FLORIDA WINDOW SYSTEMS CORP.
7191 N.W. 77 TERRACE
MEDLEY, FL. 33166
TEL. (305) 805-9420 FAX (305) 805-9424

no	date	description
A	03.05.12	UPDATED TO 2010 FBC
B	07.31.15	UPDATED TO 2014 FBC
C	12.30.15	REV. PER RER COMMENTS
D	01.16.18	UPDATED TO 2017 FBC

date: 10-15-07
scale: 1/2"=1'-0"
dr. by: TARIQ
chk. by:
drawing no. **W07-80**
sheet 1 of 7

DESIGN LOAD CAPACITY - PSF (XO OR OX SIZES)										
WINDOW DIMS. WIDTH HEIGHT		A	GLASS TYPE 'A' WITHOUT REINFORCING				GLASS TYPE 'B' WITH REINFORCING			
			W/O SHEAR CLIPS		WITH SHEAR CLIPS		W/O SHEAR CLIPS		WITH SHEAR CLIPS	
			EXT.(+)	INT.(-)	EXT.(+)	INT.(-)	EXT.(+)	INT.(-)	EXT.(+)	INT.(-)
26-1/2"	26" (3)	4	66.7	75.0	66.7	75.0	80.0	100.0	80.0	100.0
37"		4	66.7	75.0	66.7	75.0	80.0	100.0	80.0	100.0
53-1/8"		6	66.7	75.0	66.7	75.0	80.0	100.0	80.0	100.0
74"		6	66.7	75.0	66.7	75.0	80.0	100.0	80.0	100.0
26-1/2"	38-3/8" (4)	4	66.7	75.0	66.7	75.0	80.0	100.0	80.0	100.0
37"		4	66.7	75.0	66.7	75.0	80.0	100.0	80.0	100.0
53-1/8"		6	66.7	75.0	66.7	75.0	80.0	100.0	80.0	100.0
74"		6	66.7	75.0	66.7	75.0	80.0	82.1	80.0	100.0
26-1/2"	50-5/8" (5)	4	66.7	75.0	66.7	75.0	80.0	100.0	80.0	100.0
37"		4	66.7	75.0	66.7	75.0	80.0	82.8	80.0	100.0
53-1/8"		6	64.5	64.5	66.7	75.0	64.5	64.5	80.0	100.0
74"		6	54.9	54.9	66.7	75.0	54.9	54.9	80.0	100.0
26-1/2"	63" (5)	4	66.7	75.0	66.7	75.0	80.0	82.6	80.0	100.0
37"		4	62.3	62.3	66.7	75.0	62.3	62.3	80.0	100.0
53"		6	47.2	47.2	66.7	75.0	47.2	47.2	80.0	88.7
74"		6	38.2	38.2	66.7	70.1	38.2	38.2	71.8	71.8
24"	24" (3)	4	66.7	75.0	66.7	75.0	80.0	100.0	80.0	100.0
36"		4	66.7	75.0	66.7	75.0	80.0	100.0	80.0	100.0
48"		4	66.7	75.0	66.7	75.0	80.0	100.0	80.0	100.0
60"		6	66.7	75.0	66.7	75.0	80.0	100.0	80.0	100.0
72"		6	66.7	75.0	66.7	75.0	80.0	100.0	80.0	100.0
24"	36" (3)	4	66.7	75.0	66.7	75.0	80.0	100.0	80.0	100.0
36"		4	66.7	75.0	66.7	75.0	80.0	100.0	80.0	100.0
48"		4	66.7	75.0	66.7	75.0	80.0	100.0	80.0	100.0
60"		6	66.7	75.0	66.7	75.0	80.0	100.0	80.0	100.0
72"		6	66.7	75.0	66.7	75.0	80.0	88.9	80.0	100.0
24"	48" (4)	4	66.7	75.0	66.7	75.0	80.0	100.0	80.0	100.0
36"		4	66.7	75.0	66.7	75.0	80.0	90.8	80.0	100.0
48"		4	66.7	74.4	66.7	75.0	74.4	74.4	80.0	100.0
60"		6	65.6	65.6	66.7	75.0	65.6	65.6	80.0	100.0
72"		6	61.0	61.0	66.7	75.0	61.0	61.0	80.0	100.0
24"	60" (5)	4	66.7	75.0	66.7	75.0	80.0	95.5	80.0	100.0
36"		4	66.7	67.7	66.7	75.0	67.7	67.7	80.0	100.0
48"		4	54.2	54.2	66.7	75.0	54.2	54.2	80.0	100.0
60"		6	46.5	46.5	66.7	75.0	46.5	46.5	80.0	87.5
72"		6	41.8	41.8	66.7	75.0	41.8	41.8	78.6	78.6

A = NO. OF ANCHORS PER HEAD & SILL
() = NO. OF ANCHORS PER JAMB

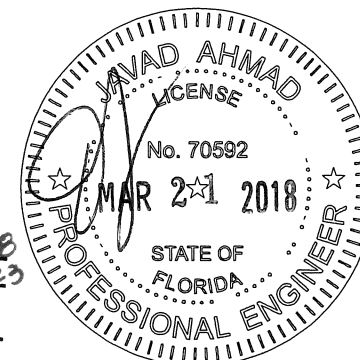


GLAZING OPTIONS

ALL EXTERIOR(+) LOADS SHOWN ON THIS SHEET ARE FOR WINDOWS WITH APPLIED RISER AT FRAME SILL FOR STD. SILL (NO RISER) LIMIT EXTERIOR(+) LOADS TO 66.7 PSF SEE DETAIL ON SHEET 4.

NOTE:
GLASS CAPACITIES ON THIS SHEET ARE BASED ON ASTM E1300-09 (3 SEC. GUSTS) AND FLORIDA BUILDING COMMISSION DECLARATORY STATEMENT DCA05-DEC-219

PRODUCT REVISED as complying with the Florida Building Code
Acceptance No. 18-0322.08
Expiration Date 05/01/2023
By [Signature]
Miami Dade Product Control



af c
AL-FAROOQ CORPORATION
ENGINEERS & PRODUCT DEVELOPMENT
9360 SUNSET DRIVE, SUITE 220 (C.A.N. 3538)
MIAMI, FLORIDA 33173 TEL. (305) 262-6978
COMP-ANL \ W07-80FWS

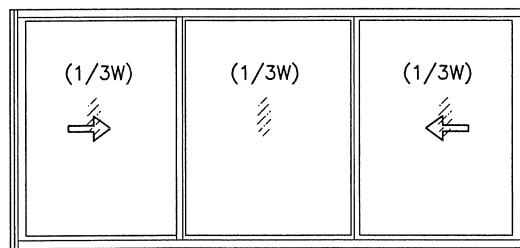
SERIES FWS-300 ALUM. HORIZ. SLIDING WDW. (L.M.I.)
FLORIDA WINDOW SYSTEMS CORP.
7191 N.W. 77 TERRACE
MEDLEY, FL. 33166
TEL. (305) 805-9420 FAX (305) 805-9424

no	date	by	description
A	03.05.12		UPDATED TO 2010 FBC
B	07.31.15		UPDATED TO 2014 FBC
C	12.30.15		REV. PER RER COMMENTS
D	01.16.18		UPDATED TO 2017 FBC

date: 10-15-07
scale: 1/2" = 1"
dr. by: TARIQ
chk. by:
drawing no. **W07-80**
sheet 2 of 7

DESIGN LOAD CAPACITY - PSF (XOX SIZES)										
WINDOW DIMS.		A	GLASS TYPE 'A' WITHOUT REINFORCING				GLASS TYPE 'B' WITH REINFORCING			
			W/O SHEAR CLIPS		WITH SHEAR CLIPS		W/O SHEAR CLIPS		WITH SHEAR CLIPS	
			EXT.(+)	INT.(-)	EXT.(+)	INT.(-)	EXT.(+)	INT.(-)	EXT.(+)	INT.(-)
WIDTH	HEIGHT									
74" 106-1/4" 111"	26" (3)	6	66.7	75.0	66.7	75.0	80.0	100.0	80.0	100.0
		9	66.7	75.0	66.7	75.0	80.0	100.0	80.0	100.0
		9	66.7	75.0	66.7	75.0	80.0	100.0	80.0	100.0
74" 106-1/4" 111"	38-3/8" (4)	6	66.7	75.0	66.7	75.0	80.0	100.0	80.0	100.0
		9	66.7	75.0	66.7	73.6	77.5	77.5	80.0	100.0
		9	66.7	75.0	66.7	71.8	80.0	81.7	80.0	100.0
74" 106-1/4" 111"	50-5/8" (5)	6	66.7	67.6	66.7	75.0	67.6	67.6	80.0	100.0
		9	55.8	55.8	66.7	75.0	55.8	55.8	80.0	100.0
		9	54.9	54.9	66.7	75.0	54.9	54.9	80.0	100.0
74" 106-1/4" 111"	63" (5)	6	49.8	49.8	66.7	75.0	49.8	49.8	80.0	93.6
		9	39.1	39.1	66.7	71.9	39.1	39.1	73.6	73.6
		9	38.2	38.2	66.7	70.1	38.2	38.2	71.8	71.8
72" 84" 96" 108"	24" (3)	7	66.7	75.0	66.7	75.0	80.0	100.0	80.0	100.0
		9	66.7	75.0	66.7	75.0	80.0	100.0	80.0	100.0
		9	66.7	75.0	66.7	75.0	80.0	100.0	80.0	100.0
72" 84" 96" 108"	36" (3)	7	66.7	75.0	66.7	75.0	80.0	100.0	80.0	100.0
		9	66.7	75.0	66.7	75.0	80.0	100.0	80.0	100.0
		9	66.7	75.0	66.7	75.0	80.0	100.0	80.0	100.0
72" 84" 96" 108"	48" (4)	7	66.7	74.4	66.7	75.0	74.4	74.4	80.0	100.0
		9	66.7	68.0	66.7	75.0	68.0	68.0	80.0	100.0
		9	63.7	63.7	66.7	75.0	63.7	63.7	80.0	100.0
72" 84" 96" 108"	60" (5)	7	54.2	54.2	66.7	75.0	54.2	54.2	80.0	100.0
		9	48.7	48.7	66.7	75.0	48.7	48.7	80.0	91.5
		9	44.7	44.7	66.7	75.0	44.7	44.7	80.0	84.1
72" 84" 96" 108"	60" (5)	9	41.8	41.8	66.7	75.0	41.8	41.8	78.6	78.6

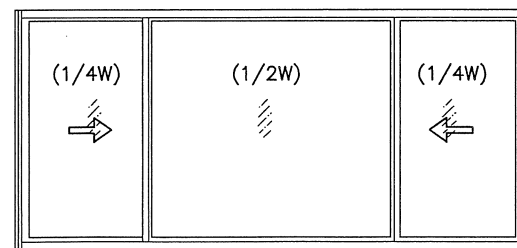
A = NO. OF ANCHORS PER HEAD & SILL
() = NO. OF ANCHORS PER JAMB



OPERATING VENTS TO BE 1/3 OF THE WINDOW WIDTH

DESIGN LOAD CAPACITY - PSF (XOX SIZES)										
WINDOW DIMS.		A	GLASS TYPE 'A' WITHOUT REINFORCING				GLASS TYPE 'B' WITH REINFORCING			
			W/O SHEAR CLIPS		WITH SHEAR CLIPS		W/O SHEAR CLIPS		WITH SHEAR CLIPS	
			EXT.(+)	INT.(-)	EXT.(+)	INT.(-)	EXT.(+)	INT.(-)	EXT.(+)	INT.(-)
WIDTH	HEIGHT									
74" 106-1/4" 111"	26" (3)	7	66.7	75.0	66.7	75.0	80.0	100.0	80.0	100.0
		9	66.7	75.0	66.7	75.0	80.0	100.0	80.0	100.0
		9	66.7	75.0	66.7	75.0	80.0	100.0	80.0	100.0
74" 106-1/4" 111"	38-3/8" (4)	7	66.7	75.0	66.7	75.0	80.0	87.6	80.0	100.0
		9	66.7	75.0	66.7	73.2	80.0	92.9	80.0	100.0
		9	66.7	75.0	66.7	72.0	80.0	88.5	80.0	100.0
74"	50-5/8" (5)	7	66.0	66.0	66.7	75.0	66.0	66.0	80.0	100.0
74"	63" (5)	7	47.4	47.4	66.7	75.0	47.4	47.4	80.0	89.0
72" 84" 96" 108"	24" (3)	7	66.7	75.0	66.7	75.0	80.0	100.0	80.0	100.0
		9	66.7	75.0	66.7	75.0	80.0	100.0	80.0	100.0
		9	66.7	75.0	66.7	75.0	80.0	100.0	80.0	100.0
72" 84" 96" 108"	36" (3)	7	66.7	75.0	66.7	75.0	80.0	95.7	80.0	100.0
		9	66.7	75.0	66.7	75.0	80.0	92.6	80.0	100.0
		9	66.7	75.0	66.7	75.0	80.0	80.0	80.0	100.0
72" 84" 96"	48" (4)	7	66.7	72.9	66.7	75.0	72.9	72.9	80.0	100.0
		9	66.7	68.4	66.7	75.0	68.4	68.4	80.0	100.0
		9	61.5	61.5	66.7	75.0	61.5	61.5	80.0	100.0
72"	60" (5)	7	51.7	51.7	66.7	75.0	51.7	51.7	80.0	97.2

A = NO. OF ANCHORS PER HEAD & SILL
() = NO. OF ANCHORS PER JAMB

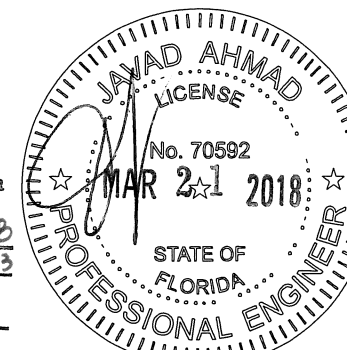


OPERATING VENTS TO BE 1/4 OF THE WINDOW WIDTH

ALL EXTERIOR(+) LOADS SHOWN ON THIS SHEET ARE FOR WINDOWS WITH APPLIED RISER AT FRAME SILL FOR STD. SILL (NO RISER) LIMIT EXTERIOR(+) LOADS TO 66.7 PSF SEE DETAIL ON SHEET 4.

NOTE:
GLASS CAPACITIES ON THIS SHEET ARE BASED ON ASTM E1300-09 (3 SEC. GUSTS) AND FLORIDA BUILDING COMMISSION DECLARATORY STATEMENT DCA05-DEC-219

PRODUCT REVISED
as complying with the Florida Building Code
Acceptance No. 18-0322-08
Expiration Date 02/01/2023
By: [Signature]
Miami Dade Product Control

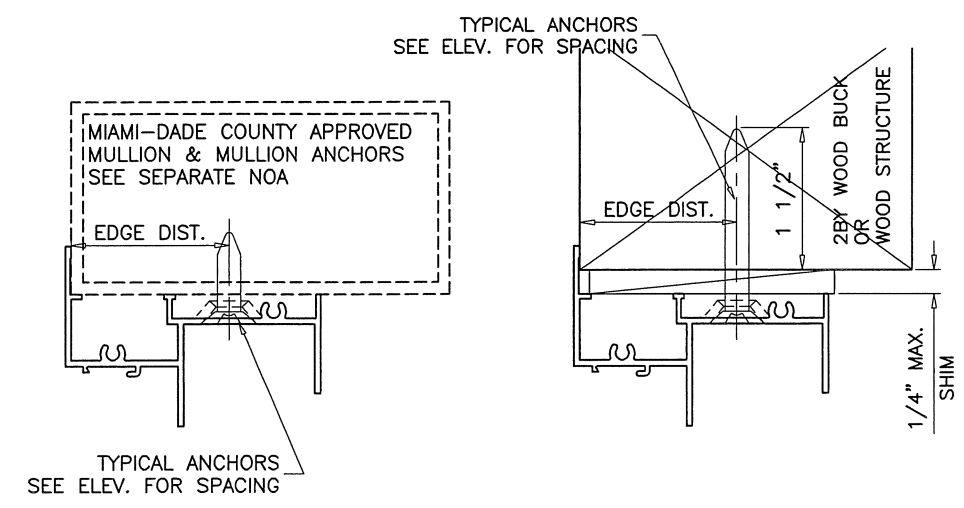
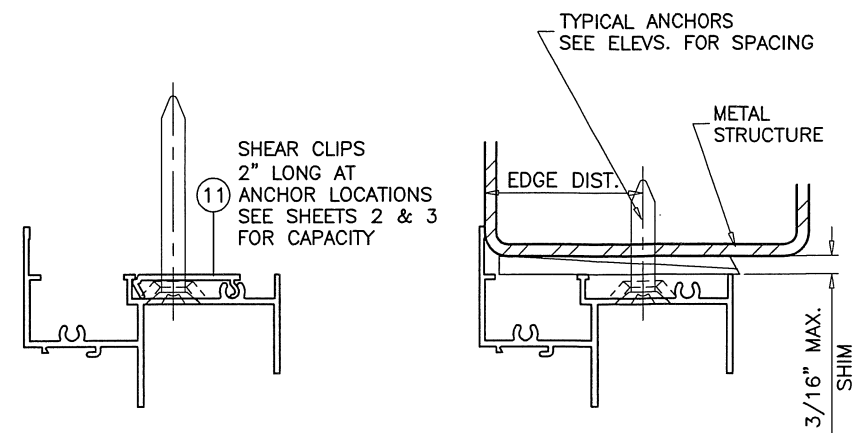
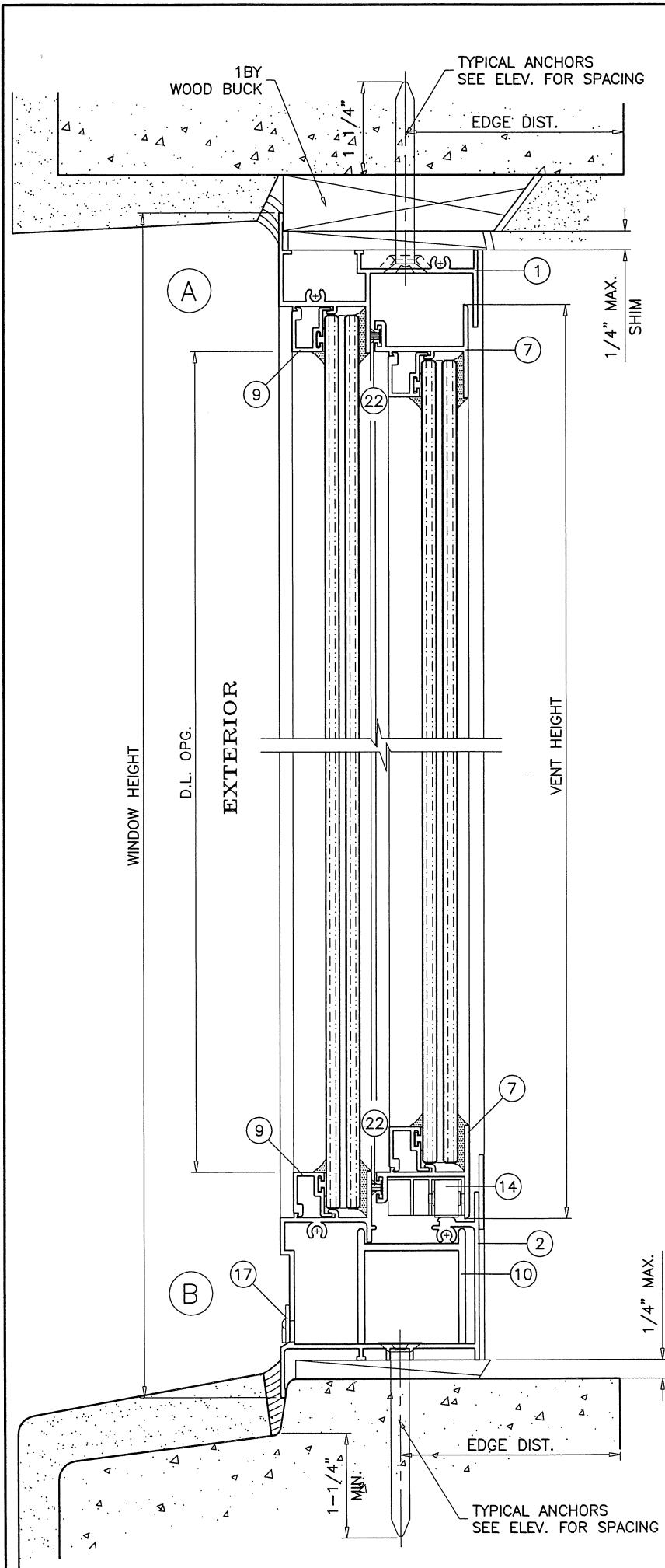


af c
AL-FAROOQ CORPORATION
ENGINEERS & PRODUCT DEVELOPMENT
9360 SUNSET DRIVE, SUITE 220
MIAMI, FLORIDA 33173 (C.A.N. 3538)
TEL. (305) 264-8100 FAX. (305) 262-6978
COMP-ANL W07-80FWS

SERIES FWS-300 ALUM HORIZ. SLIDING WDW. (L.M.I.)
FLORIDA WINDOW SYSTEMS CORP.
7191 N.W. 77 TERRACE
MEDLEY, FL. 33166
TEL. (305) 805-9420 FAX (305) 805-9424

no	date	description
A	03.05.12	UPDATED TO 2010 FBC
B	07.31.15	UPDATED TO 2014 FBC
C	12.30.15	REV. PER PER COMMENTS
D	01.16.18	UPDATED TO 2017 FBC

date: 10-15-07
scale: 1/2" = 1'-0"
dr. by: TARIQ
chk. by:
drawing no. W07-80
sheet 3 of 7



WOOD BUCKS AND METAL STRUCTURE NOT BY FLORIDA WDW. SYS. MUST SUSTAIN LOADS IMPOSED BY GLAZING SYSTEM AND TRANSFER THEM TO THE BUILDING STRUCTURE.

SEALANT:

ALL JOINTS AND FRAME CONNECTIONS SEALED WITH SEALANT.

WEEPHOLES:

W1 = 1" X 1/4" WEEPHOLES AT 5" FROM EACH END

TYPICAL ANCHORS: SEE ELEV. FOR SPACING

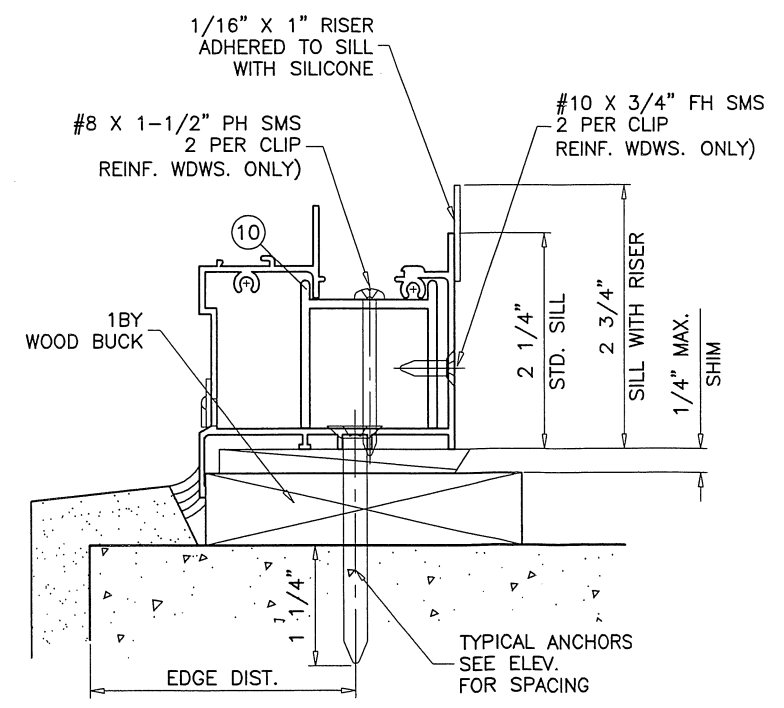
1/4" DIA. ULTRACON BY 'ELCO' (Fu=177 KSI, Fy=155 KSI)
 INTO 2BY WOOD BUCKS OR WOOD STRUCTURES
 1-1/2" MIN. PENETRATION INTO WOOD (HEAD/SILL/JAMBS)
 THRU 1BY BUCKS INTO CONC. OR BLOCKS
 1-1/4" MIN. EMBED INTO CONCRETE (HEAD/SILL/JAMBS)
 1-1/4" MIN. EMBED INTO BLOCKS (JAMBS)
 DIRECTLY INTO CONCRETE OR BLOCKS
 1-1/4" MIN. EMBED INTO CONCRETE (HEAD/SILL/JAMBS)
 1-1/4" MIN. EMBED INTO BLOCKS (JAMBS)

#12 TEKS OR SELF-DRILLING SCREWS (GRADE 5 CRS)
 INTO MIAMI-DADE COUNTY APPROVED MULLIONS OR
 INTO METAL STRUCTURES (HEAD/SILL/JAMBS)
 (3) THREADS MIN. TO EXTEND BEYOND METAL THICKNESS
 ALUMINUM: 1/8" THK. MIN. (6063-T5 MIN.)
 STEEL: 1/8" THK. MIN. (Fy = 36 KSI MIN.)
 (STEEL IN CONTACT WITH ALUMINUM TO BE PLATED OR PAINTED)

CRITICAL EDGE DISTANCE

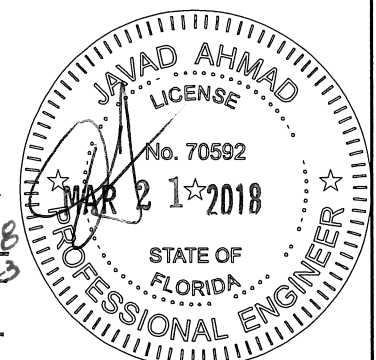
INTO CONCRETE AND BLOCKS = 2-1/2" MIN.
 INTO WOOD STRUCTURE = 1" MIN.
 INTO METAL STRUCTURE = 3/4" MIN.

WOOD AT HEAD, SILL OR JAMBS SG = 0.55 MIN.
 CONCRETE AT HEAD, SILL OR JAMBS f'c = 3000 PSI MIN.
 C-90 HOLLOW/FILLED BLOCK AT JAMBS f'm = 2000 PSI MIN.



REINFORCED SILL INSERT
 SEE SHEETS 2 & 3 FOR CAPACITY

PRODUCT REVISED
 as complying with the Florida
 Building Code
 Acceptance No. 18-0322-08
 Expiration Date 05/01/2023
 By: *[Signature]*
 Miami Dade Product Control



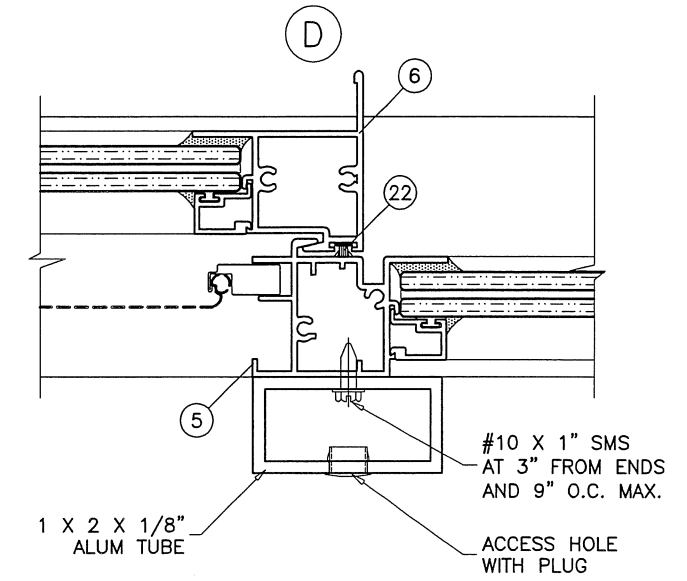
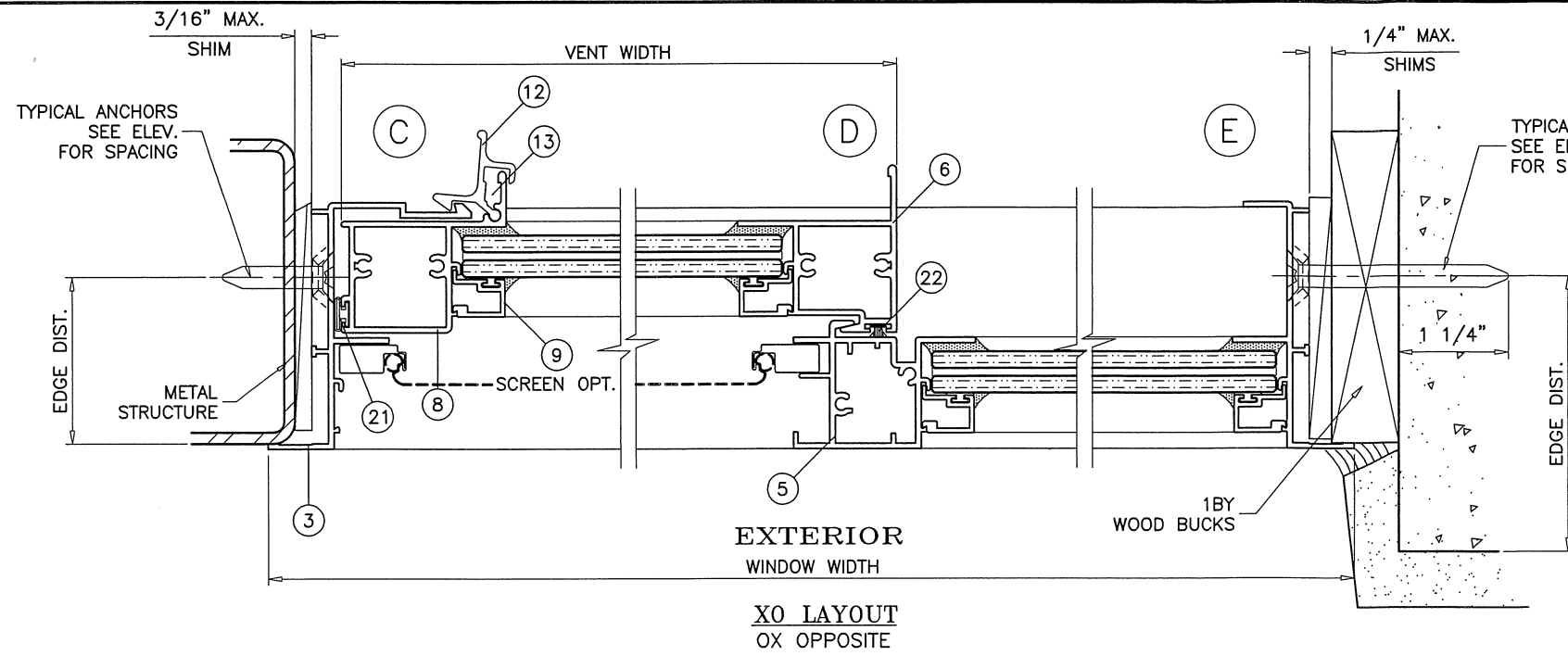
af c
AL-FAROOQ CORPORATION
 ENGINEERS & PRODUCT DEVELOPMENT
 9360 SUNSET DRIVE, SUITE 220
 MIAMI, FLORIDA 33173
 TEL. (305) 264-8100 FAX. (305) 262-6978
 COMP-ANL \ W07-80FWS

SERIES FWS-300 ALUM HORIZ. SLIDING WDW. (L.M.I.)
FLORIDA WINDOW SYSTEMS CORP.
 7191 N.W. 77 TERRACE
 MEDLEY, FL. 33166
 TEL. (305) 805-9420 FAX (305) 805-9424

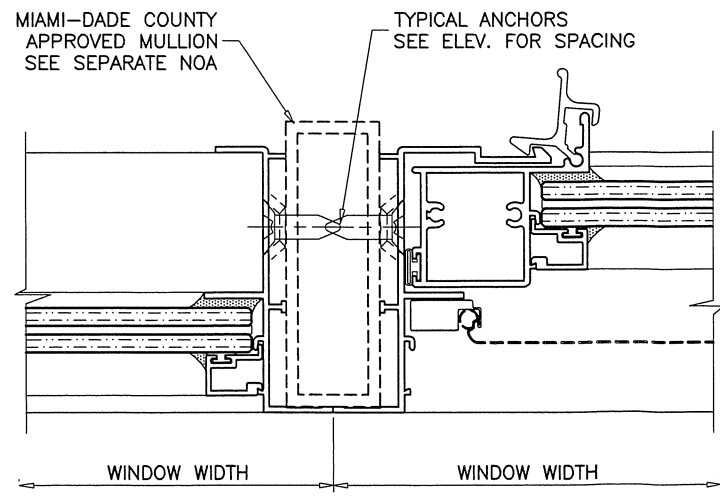
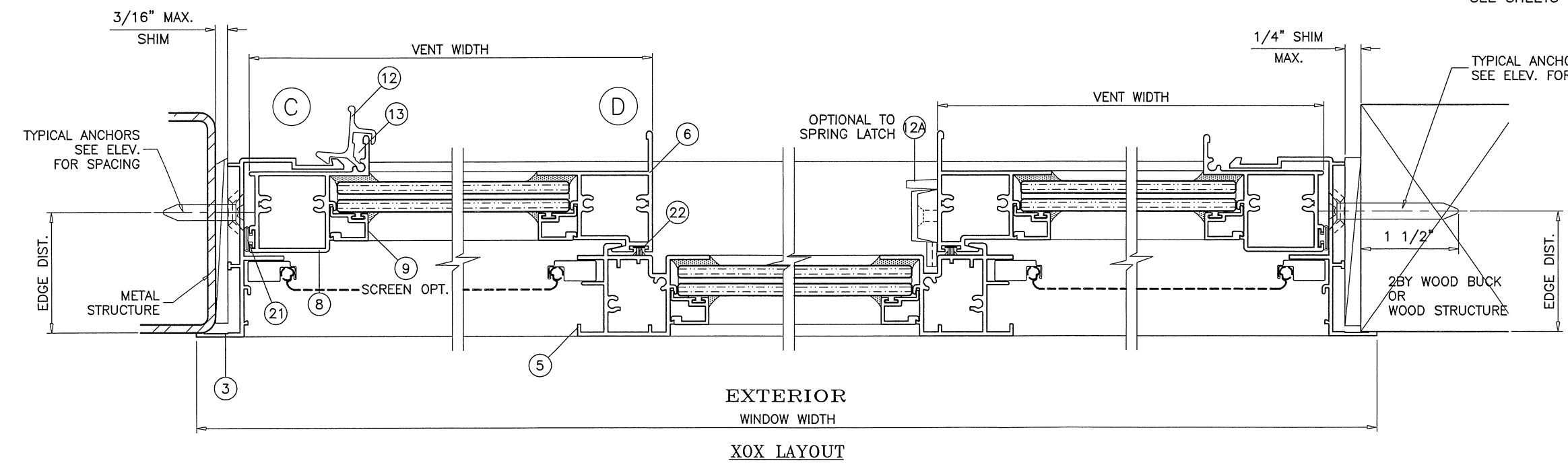
no	date	by	description
A	03.05.12		UPDATED TO 2010 FBC
B	07.31.15		UPDATED TO 2014 FBC
C	12.30.15		REV. PER RER COMMENTS
D	01.16.18		UPDATED TO 2017 FBC

date: 10-15-07
 scale: 1/2" = 1"
 dr. by: TARIQ
 chk. by:

drawing no.
W07-80
 sheet 4 of 7

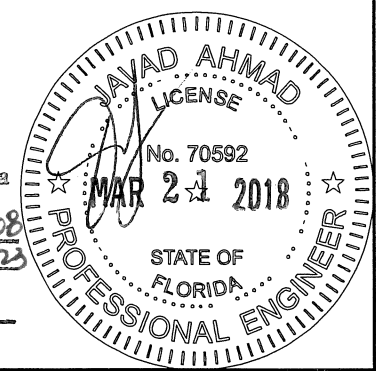


REINFORCED MTG. STILES
SEE SHEETS 2 & 3 FOR CAPACITY



PRODUCT REVISED
as complying with the Florida
Building Code
Acceptance No. 18-0322.08
Expiration Date 05/01/2023

By: *[Signature]*
Miami Dade Product Control



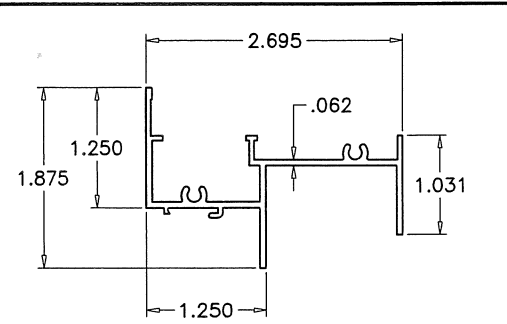
af c
AL-FAROOQ CORPORATION
ENGINEERS & PRODUCT DEVELOPMENT
9360 SUNSET DRIVE, SUITE 220
MIAMI, FLORIDA 33173 (C.A.N. 3538)
TEL. (305) 264-8100 FAX. (305) 262-6978
COMP-ANL\W07-80FWS

SERIES FWS-300 ALUM. HORIZ. SLIDING WDW. (L.M.I.)
FLORIDA WINDOW SYSTEMS CORP.
7191 N.W. 77 TERRACE
MEDLEY, FL. 33166
TEL. (305) 805-9420 FAX (305) 805-9424

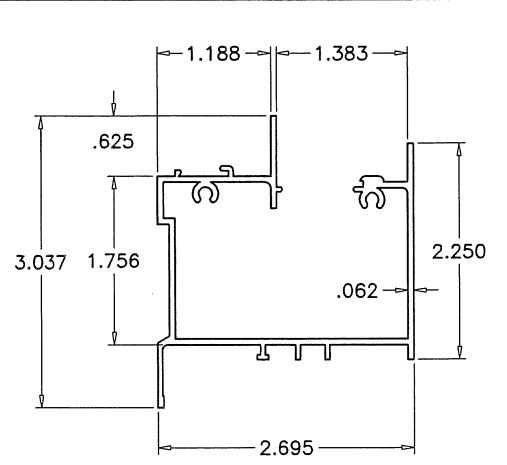
revisions:

no	date	by	description
A	03.05.12		UPDATED TO 2010 FBC
B	07.31.15		UPDATED TO 2014 FBC
C	12.30.15		REV. PER PER COMMENTS
D	01.16.18		UPDATED TO 2017 FBC

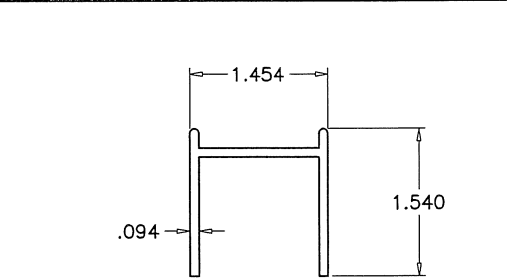
date: 10-15-07
scale: 1/2" = 1"
dr. by: TARIQ
chk. by:
drawing no. **W07-80**
sheet 5 of 7



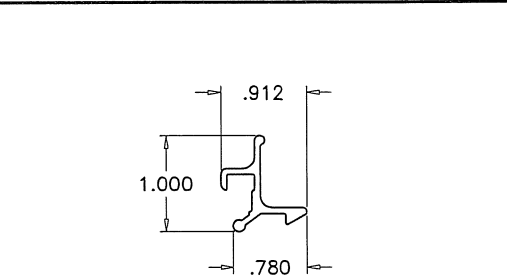
① FRAME HEAD



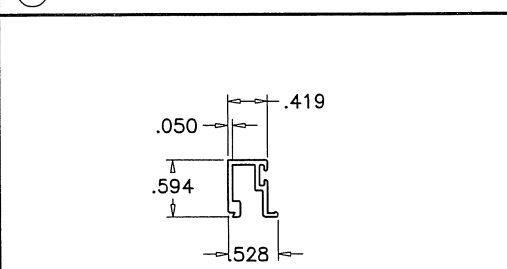
② FRAME SILL



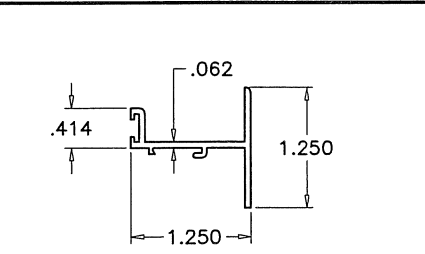
⑩ SILL TRACK



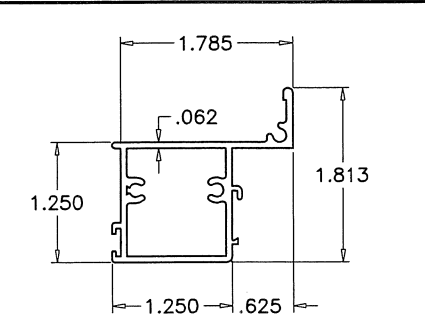
⑫ VENT LATCH



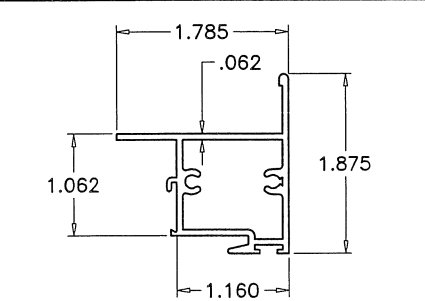
⑨ GLAZING BEAD



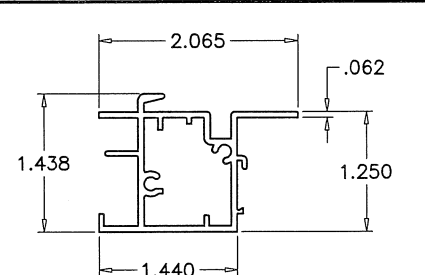
⑦ VENT TOP/BOTTOM RAIL



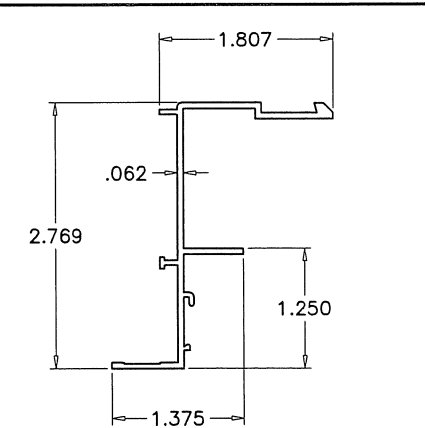
⑧ JAMB STILE



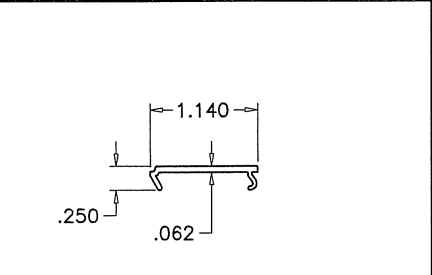
⑥ MEETING RAIL



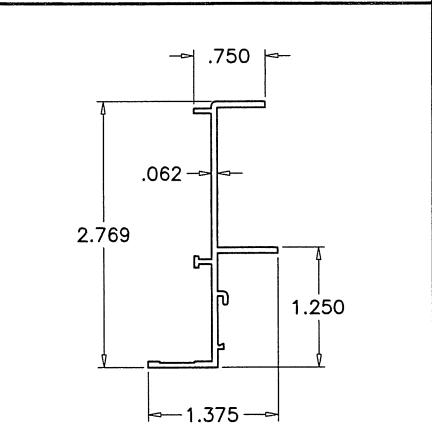
⑤ FIXED MTG. RAIL



③ FRAME JAMB (VENT)



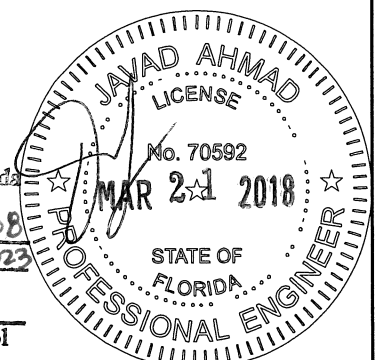
SHEAR CLIP



④ FRAME JAMB (FIX)

ITEM	PART #	QUANTITY	DESCRIPTION	MATERIAL	MANF./SUPPLIER/REMARKS
1	FWS-022	1	FRAME HEAD	6063-T6	-
2	FWS-026	1	FRAME SILL	6063-T6	-
3	FWS-019	1	FRAME JAMB VENT	6063-T6	-
4	FWS-	1	FRAME JAMB FIX.	6063-T6	-
5	FWS-025	1/	VENT FIXED RAIL	6063-T5	-
6	FWS-024	1/	VENT MEETING RAIL	6063-T6	-
7	FWS-016	2/	VENT TOP AND BOTTOM RAIL	6063-T5	-
8	FWS-023	1/	VENT JAMB STILE	6063-T5	-
9	FWS-029	AS REQD.	VENT GLAZING BEAD	6063-T6	-
10	FWS-015A	1	6" LONG SILL TRACK INSERT	6063-T5	AT FIXED RAILS ONLY
11	-	AS REQD.	SHEAR CLIP 2" LONG	6063-T6	AT ANCHOR LOCATIONS
12	FWS-018	2/	VENT LATCH	6063-T6	AT 10-1/2" FROM ENDS
12A	-	2/	VENT CAM TYPE SWEEP LOCK	ZAMAK	AT 13-7/8" FROM ENDS
13	14-6010	1/	VENT LATCH SPRING	ST. STEEL	-
14	RH-2500	2/	VENT ROLLER HOUSING & GUIDE	PLASTIC	M&M PLASTICS
17	FWS-075	AS REQD.	VENT BAFFLE	NYLON	M&M PLASTICS
18	#8 X 1-1/4"	AS REQD.	FRAME/VENT ASSEMBLY SCREWS	CRS	P.H. SMS
19	#8 X 3"	2/	VENT FIX. RAIL SILL SCREWS (SILL END)	CRS	P.H. SMS
20	-	AS REQD.	VENT GLAZING GASKET	VINYL	-
21	E-205	AS REQD.	VENT BULB W'STRIPPING	FLEX PVC	-
22	W23211NG	AS REQD.	VENT WOOLPILE W'STRIPPING	-	ULTRAFAB OR EQUIV.
23	-	AS REQD.	VENT SETTING BLOCKS	EPDM	DUROMETER 80±5 SHORE A
25	-	1/	VENT 5/16" BOX SCREEN	-	OPTIONAL

PRODUCT REVISED
 as complying with the Florida
 Building Code
 Acceptance No. 18-0322-08
 Expiration Date 05/01/2023



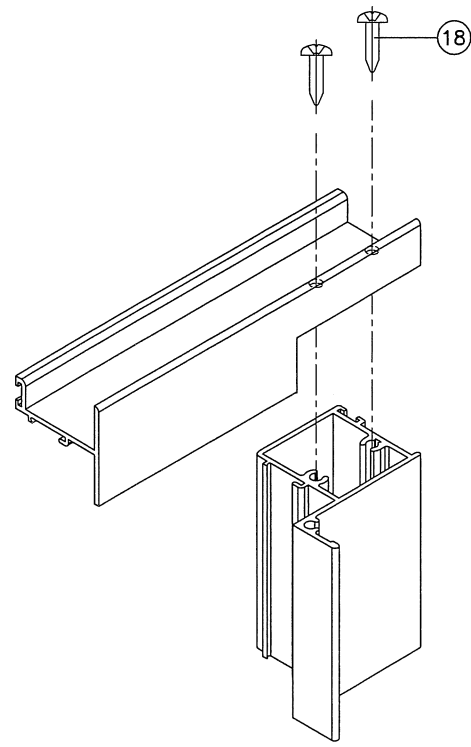
By Co
 Miami Dade Product Control

af c
AL-FAROOQ CORPORATION
 ENGINEERS & PRODUCT DEVELOPMENT
 9360 SUNSET DRIVE, SUITE 220
 MIAMI, FLORIDA 33173 (C.A.N. 3538)
 TEL. (305) 264-8100 FAX. (305) 262-6978
 COMP-ANL\W07-80FWS

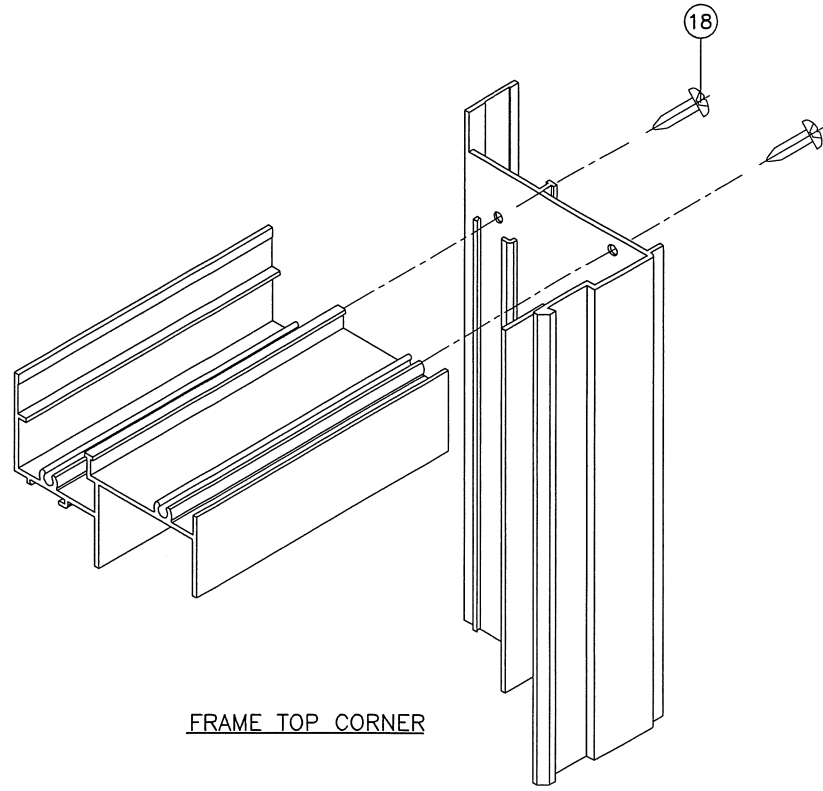
SERIES FWS-300 ALUM HORIZ. SLIDING WDW. (L.M.I.)
FLORIDA WINDOW SYSTEMS CORP.
 7191 N.W. 77 TERRACE
 MEDLEY, FL. 33166
 TEL. (305) 805-9420 FAX (305) 805-9424

no	date	by	description
A	03.05.12		UPDATED TO 2010 FBC
B	07.31.15		UPDATED TO 2014 FBC
C	12.30.15		REV. PER RER COMMENTS
D	01.16.18		UPDATED TO 2017 FBC

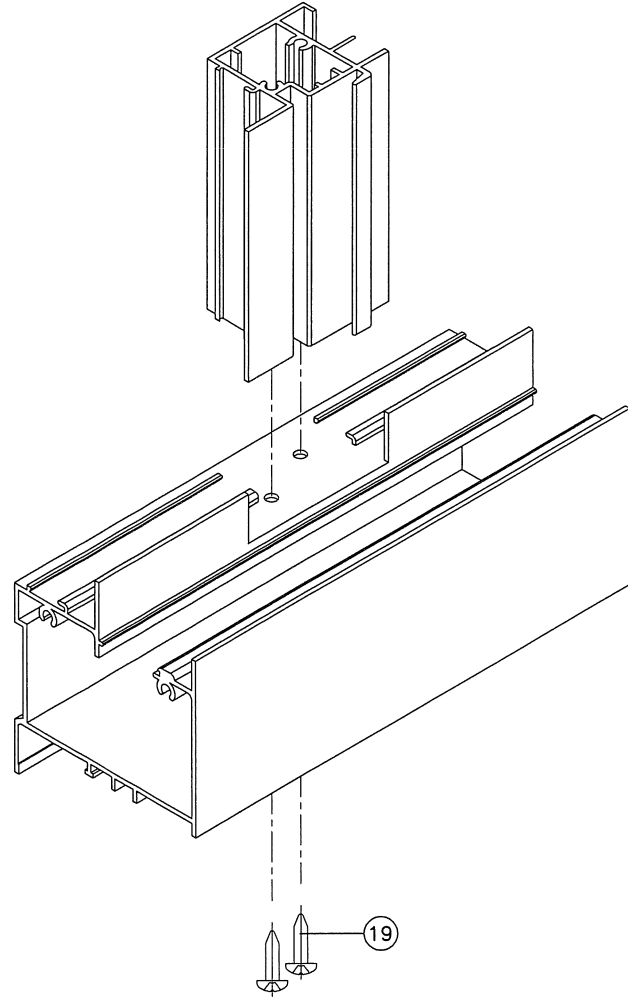
date: 10-15-07
 scale: 1/2" = 1"
 dr. by: TARIQ
 chk. by:
 drawing no.
W07-80
 sheet 6 of 7



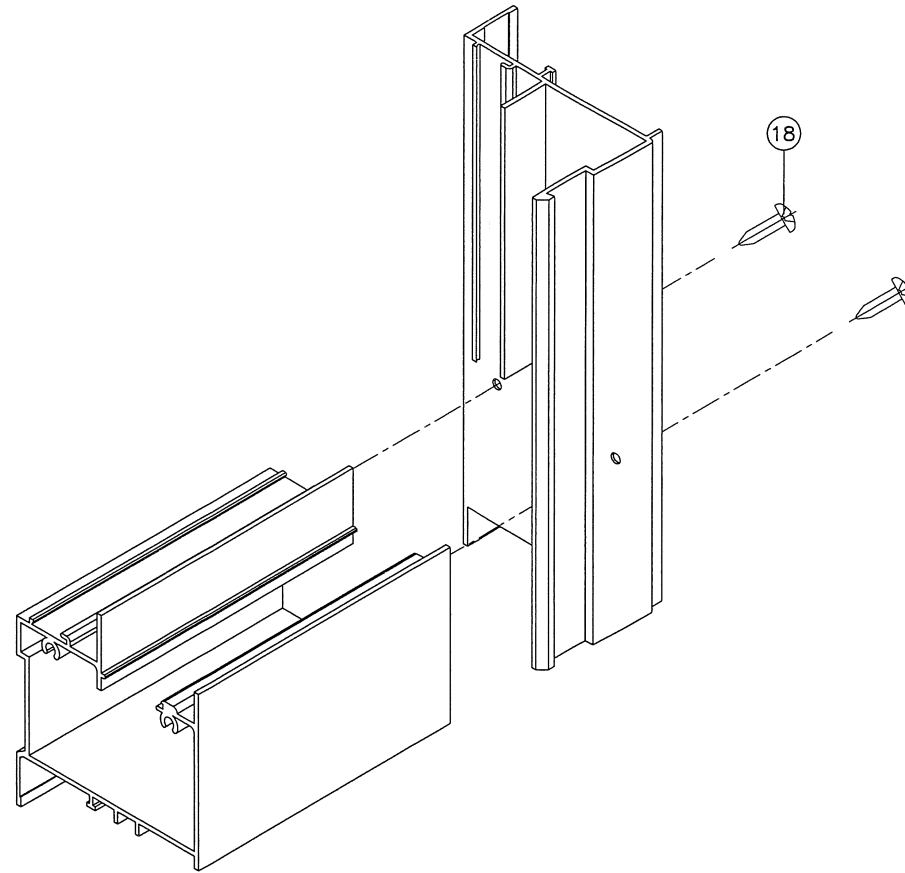
VENT TOP/BOTTOM CORNERS



FRAME TOP CORNER



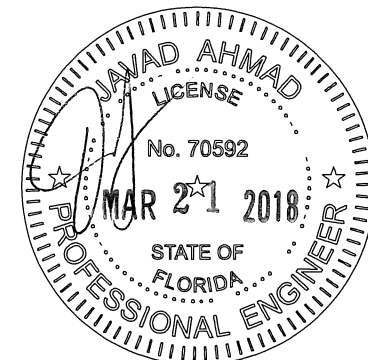
FIXED MTG. RAIL CORNER



FRAME BOTTOM CORNER

PRODUCT REVISED
 as complying with the Florida
 Building Code
 Acceptance No. 18-0322.08
 Expiration Date 05/01/2023

By Co
 Miami Dade Product Control



afc
AL-FAROOQ CORPORATION
 ENGINEERS & PRODUCT DEVELOPMENT
 9360 SUNSET DRIVE, SUITE 220
 MIAMI, FLORIDA 33173 (C.A.N. 3538)
 TEL. (305) 264-8100 FAX. (305) 262-6978
 COMP-ANL \ W07 - 80FWS

SERIES FWS-300 ALUM. HORIZ. SLIDING WDW. (L.M.I.)
FLORIDA WINDOW SYSTEMS CORP.
 7191 N.W. 77 TERRACE
 MEDLEY, FL. 33166
 TEL. (305) 805-9420 FAX (305) 805-9424

revisions:

no	date	by	description
A	03.05.12		UPDATED TO 2010 FBC
B	07.31.15		NO CHANGE THIS SHEET
C	12.30.15		REV. PER PER COMMENTS
D	01.16.18		UPDATED TO 2017 FBC

date: 10-15-07
 scale: 1/2" = 1"
 dr. by: TARIQ
 chk. by:

drawing no.
W07-80

sheet 7 of 7