



DEPARTMENT OF REGULATORY AND ECONOMIC RESOURCES (RER)  
 BOARD AND CODE ADMINISTRATION DIVISION  
**NOTICE OF ACCEPTANCE (NOA)**

MIAMI-DADE COUNTY  
 PRODUCT CONTROL SECTION  
 11805 SW 26 Street, Room 208  
 Miami, Florida 33175-2474  
 T (786) 315-2590 F (786) 315-2599  
[www.miamidade.gov/economy](http://www.miamidade.gov/economy)

**Seves Glass Block, Inc.**  
**10576 Broadview Road**  
**Broadview Heights, OH 44147**

**SCOPE:** This NOA is being issued under the applicable rules and regulations governing the use of construction materials. The documentation submitted has been reviewed and accepted by Miami-Dade County RER-Product Control Section to be used in Miami Dade County and other areas where allowed by the Authority Having Jurisdiction (AHJ).

This NOA shall not be valid after the expiration date stated below. The Miami-Dade County Product Control Section (In Miami Dade County) and/or the AHJ (in areas other than Miami Dade County) reserve the right to have this product or material tested for quality assurance purposes. If this product or material fails to perform in the accepted manner, the manufacturer will incur the expense of such testing and the AHJ may immediately revoke, modify, or suspend the use of such product or material within their jurisdiction. RER reserves the right to revoke this acceptance, if it is determined by Miami-Dade County Product Control Section that this product or material fails to meet the requirements of the applicable building code.

This product is approved as described herein, and has been designed to comply with the Florida Building Code, including the High Velocity Hurricane Zone.

**DESCRIPTION: High Performance Hurricane Resistant Glass Block Panels**

**APPROVAL DOCUMENT:** Drawing No. HRGBP, titled "High Performance Systems Hurricane-Resistant Glass Block Panels", sheets 1 through 3 of 3, dated 01/10/2014, with revision 1 dated 04/01/2014, prepared by the manufacturer, signed and sealed by Hermes F. Norero, P.E. on 03/04/2018, bearing the Miami-Dade County Product Control renewal stamp with the Notice of Acceptance number and expiration date by the Miami-Dade County Product Control Section.

**MISSILE IMPACT RATING: Large and Small Missile Impact Resistant**

**LABELING:** Each unit shall bear a permanent label with the manufacturer's name or logo, city, state, model/series and following statement: "Miami-Dade County Product Control Approved", unless otherwise noted herein.

**RENEWAL** of this NOA shall be considered after a renewal application has been filed and there has been no change in the applicable building code negatively affecting the performance of this product.

**TERMINATION** of this NOA will occur after the expiration date or if there has been a revision or change in the materials, use, and/or manufacture of the product or process. Misuse of this NOA as an endorsement of any product, for sales, advertising or any other purposes shall automatically terminate this NOA. Failure to comply with any section of this NOA shall be cause for termination and removal of NOA.

**ADVERTISEMENT:** The NOA number preceded by the words Miami-Dade County, Florida, and followed by the expiration date may be displayed in advertising literature. If any portion of the NOA is displayed, then it shall be done in its entirety.

**INSPECTION:** A copy of this entire NOA shall be provided to the user by the manufacturer or its distributors and shall be available for inspection at the job site at the request of the Building Official.

This NOA **renews NOA #17-0821.15** and consists of this page 1 and evidence pages E-1, E-2 and E-3, as well as approval document mentioned above.

The submitted documentation was reviewed by **Carlos M. Utrera, P.E.**



*[Handwritten Signature]*  
 07/09/2018

NOA No. 18-0522.04  
 Expiration Date: October 16, 2023  
 Approval Date: July 19, 2018  
 Page 1

**NOTICE OF ACCEPTANCE: EVIDENCE SUBMITTED**

**1. Evidence submitted under previous NOA's**

**A. DRAWINGS "Submitted under NOA # 15-0217.13"**

1. Drawing No. **HRGBP**, titled "High Performance Systems Hurricane-Resistant Glass Block Panels", sheets 1 through 3 of 3, dated 01/10/2014, with last revision dated 04/01/2014, prepared by Pittsburgh Corning Corporation, signed and sealed by Hermes F. Norero, P.E.

**B. TESTS "Submitted under NOA # 14-0129.17"**

1. Test reports on
  - 1) Air Infiltration Test, per FBC, TAS 202-94
  - 2) Uniform Static Air Pressure Test, Loading per FBC TAS 202-94
  - 3) Water Resistance Test, per FBC, TAS 202-94
  - 4) Large Missile Impact Test per FBC, TAS 201-94
  - 5) Cyclic Wind Pressure Loading per FBC, TAS 203-94
  - 6) Forced Entry Test, per FBC, TAS 202-94

along with marked-up drawings and installation diagram of High Performance Hurricane Resistant Glass Block Panels, prepared by Architectural Testing, Inc., Test Report No. **D1178.01-501-18**, dated 12/03/2013, signed and sealed by Michael D. Stremmel, P.E.

**"Submitted under NOA # 11-1229.03"**

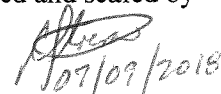
2. Test reports on
  - 1) Air Infiltration Test, per FBC, TAS 202-94
  - 2) Uniform Static Air Pressure Test, Loading per FBC TAS 202-94
  - 3) Water Resistance Test, per FBC, TAS 202-94
  - 4) Large Missile Impact Test per FBC, TAS 201-94
  - 5) Cyclic Wind Pressure Loading per FBC, TAS 203-94
  - 6) Forced Entry Test, per FBC 2411 3.2.1, TAS 202-94

along with marked-up drawings and installation diagram of LightWise Architectural Hurricane Resistant Windows, prepared by Architectural Testing, Inc., Test Report No. **B2913.01-501-18**, dated 10/28/2011, signed and sealed by Michael D. Stremmel, P.E.

**"Submitted under NOA # 08-0731.08"**

3. Test reports on
  - 1) Air Infiltration Test, per FBC, TAS 202-94
  - 2) Uniform Static Air Pressure Test, Loading per FBC TAS 202-94
  - 3) Water Resistance Test, per FBC, TAS 202-94
  - 4) Large Missile Impact Test per FBC, TAS 201-94
  - 5) Cyclic Wind Pressure Loading per FBC, TAS 203-94
  - 6) Forced Entry Test, per FBC 2411 3.2.1, TAS 202-94

along with marked-up drawings and installation diagram of KWIK'N EZ Rigid Track Silicone System THICKSET 90 Glass Block with 2-pc. Aluminum Channel, prepared by Architectural Testing, Inc., Test Report No. **79308.01-501-18**, dated 03/26/2008, signed and sealed by Michael D. Stremmel, P.E.



---

**Carlos M. Utrera, P.E.**  
**Product Control Examiner**  
**NOA No. 18-0522.04**  
**Expiration Date: October 16, 2023**  
**Approval Date: July 19, 2018**

**NOTICE OF ACCEPTANCE: EVIDENCE SUBMITTED**

**C. CALCULATIONS “Submitted under NOA # 14-0129.17”**

1. Product evaluation report # 2666 prepared by Building Drops, Inc., complying with the 2010 FBC, dated 01/09/2014, signed and sealed by Hermes F. Norero, P.E.

**“Submitted under NOA # 11-1229.03”**

2. Anchor verification calculations prepared by Building Drops, Inc., complying with the 2007 and 2010 F.B.C, dated 12/08/2011, signed and sealed by Alexis Spyrou, P.E.

**“Submitted under NOA # 08-0731.08”**

3. Anchor verification calculations prepared by Engineering Analytics, Inc., complying with F.B.C 2004, dated 07/29/2008, signed and sealed by Carol D. Hays, Ph.D., P.E.

**D. QUALITY ASSURANCE**

1. Miami-Dade Department of Regulatory and Economic Resources (RER)

**E. MATERIAL CERTIFICATIONS “Submitted under NOA # 15-0217.13”**

1. Notice of Acceptance No. **13-0708.08**, issued to Cardinal Systems, Inc., for their PVC Extrusions used as glass block spacers, approved on 09/12/2013 and expiring on 12/11/2015.

**F. STATEMENTS “Submitted under NOA # 15-0217.13”**

1. Statement letter of code conformance to the 5<sup>th</sup> edition (2014) of the FBC and no financial interest issued by Building Drops, Inc., dated 10/10/2014, signed and sealed by Hermes F. Norero, P.E.

**“Submitted under NOA # 14-0129.17”**

2. Statement letter of code conformance to 2010 FBC and of no financial interest issued by Building Drops, Inc., dated 01/24/2014, signed and sealed by Hermes F. Norero, P.E.



10/09/2018

---

Carlos M. Utrera, P.E.  
Product Control Examiner  
NOA No. 18-0522.04  
Expiration Date: October 16, 2023  
Approval Date: July 19, 2018

**NOTICE OF ACCEPTANCE: EVIDENCE SUBMITTED**

**2. Evidence submitted under NOA #17-0821.15**

**A. DRAWINGS**

1. Drawing No. **HRGBP**, titled “High Performance Systems Hurricane-Resistant Glass Block Panels”, sheets 1 through 3 of 3, dated 01/10/2014, with revision 1 dated 04/01/2014, prepared by the manufacturer, signed and sealed by Hermes F. Norero, P.E. on 03/04/2018.

**B. TESTS**

1. None.

**C. CALCULATIONS**

1. Product evaluation report **#4743** prepared by Building Drops, Inc., dated 04/12/2017, signed and sealed by Hermes F. Norero, P.E.

**D. QUALITY ASSURANCE**

1. Miami-Dade Department of Regulatory and Economic Resources (RER)

**E. MATERIAL CERTIFICATIONS**

1. Notice of Acceptance No. **14-0909.11** issued to Cardinal Systems, Inc., for its Rigid PVC Extrusions for Glass Block, approved on 12/11/2014 and expiring on 12/01/2020.

**F. STATEMENTS**

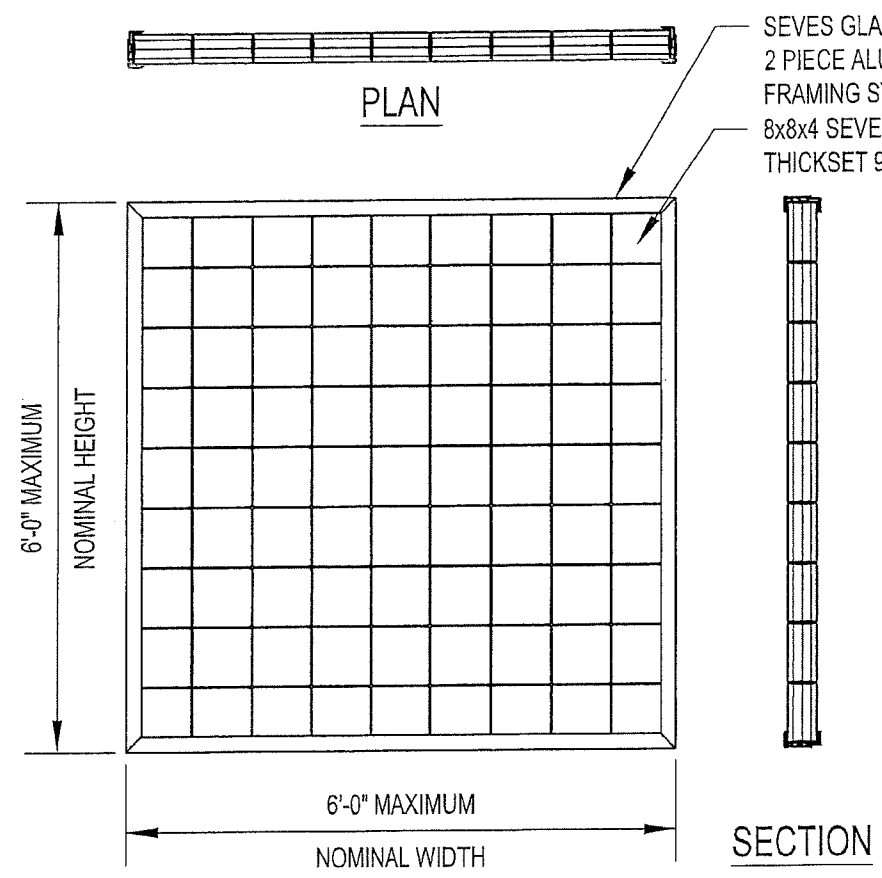
1. Statement letter of code conformance to the 6<sup>th</sup> edition (2017) FBC issued by Building Drops, Inc., dated 12/15/2017, signed and sealed by Hermes F. Norero, P.E.
2. Agreement and Bill of Sale dated 08/24/2016.
3. Declaration of ownership dated 12/01/2016.



---

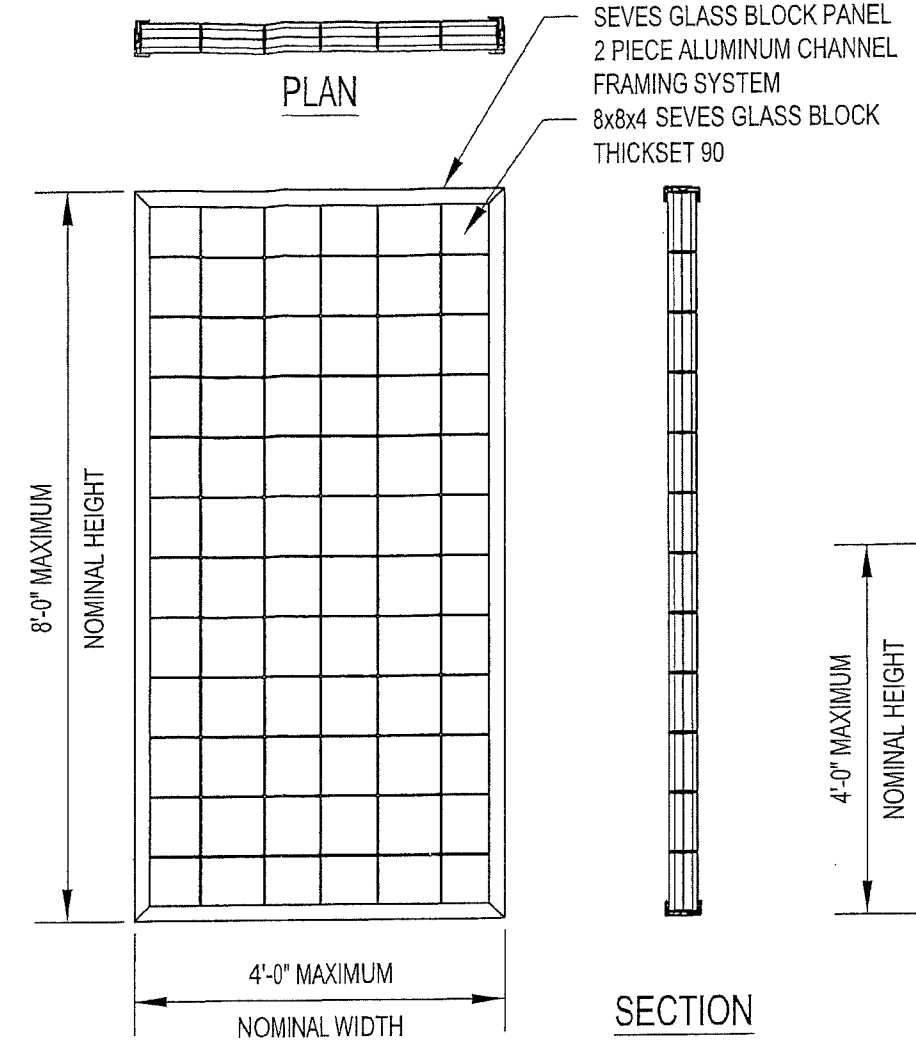
**Carlos M. Utrera, P.E.**  
**Product Control Examiner**  
**NOA No. 18-0522.04**  
**Expiration Date: October 16, 2023**  
**Approval Date: July 19, 2018**

REVISIONS		
REV	DESCRIPTION	DATE
1	ADDED DLO (DAYLIGHT OPENING) TO ELEVATIONS	04/01/2014



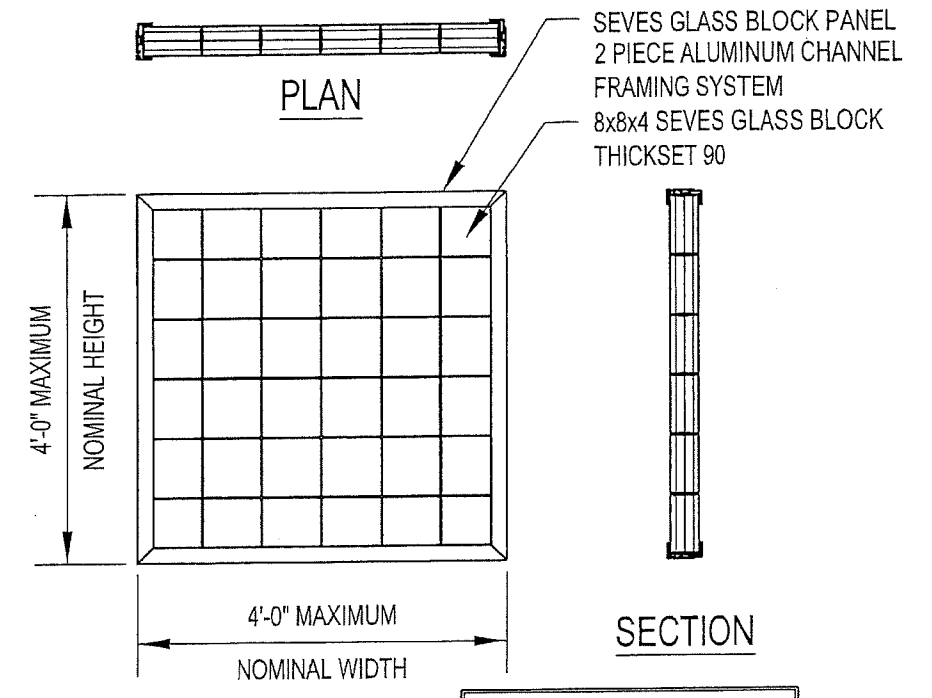
**ELEVATION**  
9 BLOCKS x 9 BLOCKS  
D.L.O.: 67 7/8" X 67 5/8"

<b>IMPACT RESISTANT</b>
<b>DESIGN PRESSURE RATING</b>
± 68.0 PSF



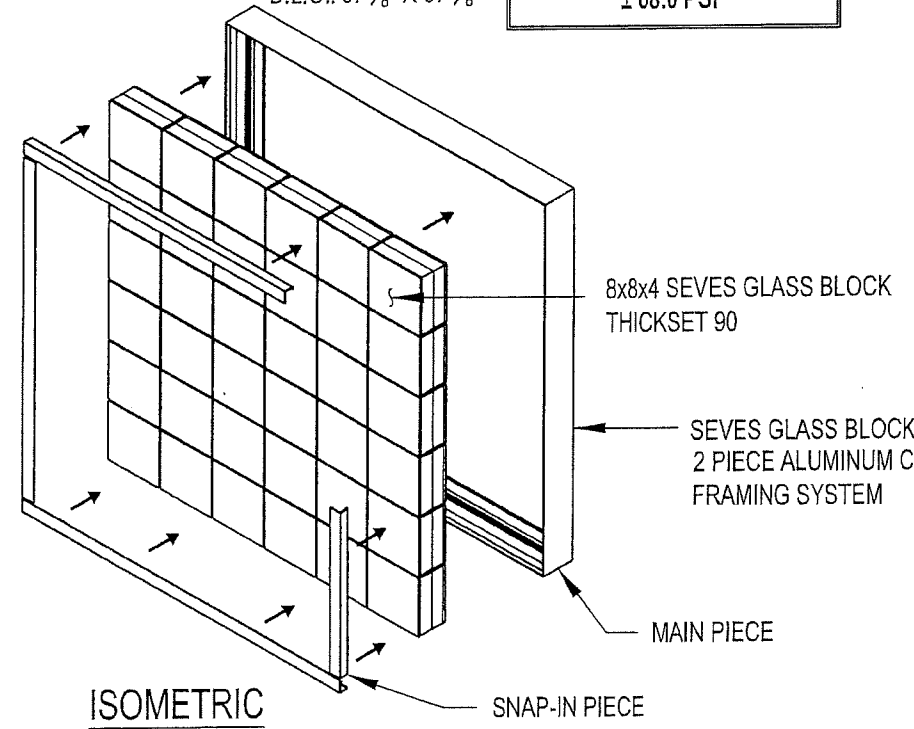
**ELEVATION**  
6 BLOCKS x 12 BLOCKS  
D.L.O.: 44 3/8" X 91 1/8"

<b>IMPACT RESISTANT</b>
<b>DESIGN PRESSURE RATING</b>
± 80.0 PSF



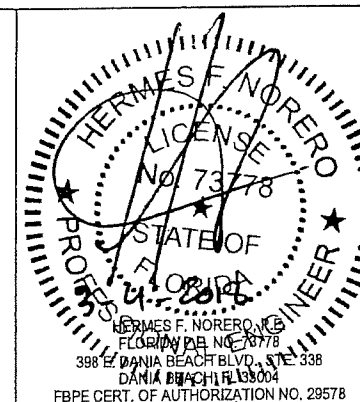
**ELEVATION**  
6 BLOCKS x 6 BLOCKS  
D.L.O.: 44 3/8" X 44 1/8"

<b>IMPACT RESISTANT</b>
<b>DESIGN PRESSURE RATING</b>
± 100.0 PSF



**PRODUCT RENEWED**  
as complying with the Florida Building Code  
NOA-No. **18-0522.04**  
Expiration Date **10/16/2023**  
By *[Signature]*  
**Miami-Dade Product Control**

**PRODUCT REVISED**  
as complying with the Florida Building Code  
NOA-No. **17-0821.15**  
Expiration Date **10/16/2018**  
By *[Signature]*  
**Miami-Dade Product Control**



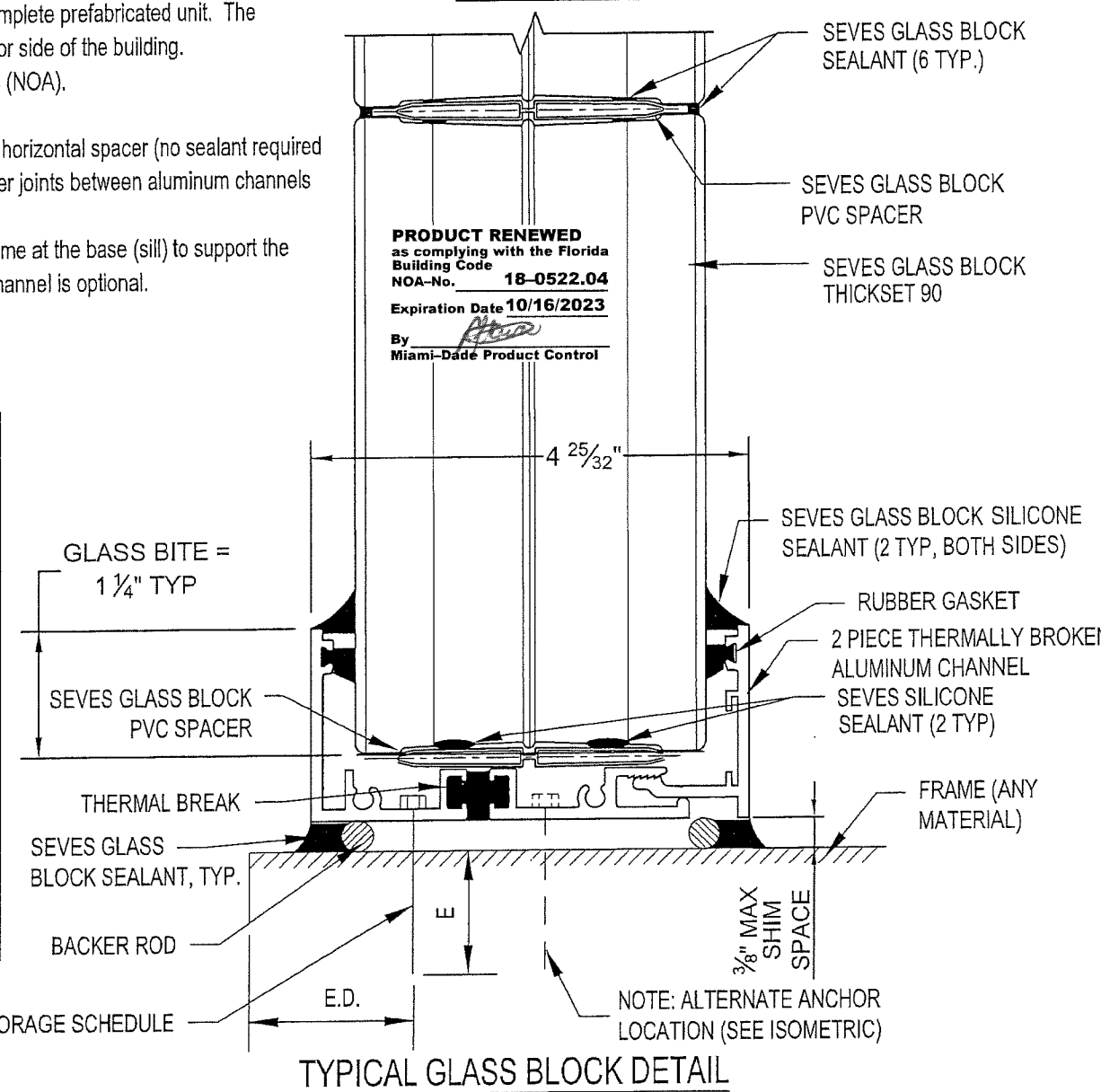
TITLE <b>HIGH PERFORMANCE SYSTEMS HURRICANE-RESISTANT GLASS BLOCK PANELS</b>			
SEVES GLASS BLOCK, INC. 10576 BROADVIEW ROAD BROADVIEW HEIGHTS, OH 44147			
SCALE 1/2" = 1'-0"	DWG. NO. HRGBP-001	REV 1	
BY LBA	DATE 01/10/2014	SHEET 1 OF 3	

**SPECIFICATION NOTES:**

- **GLASS BLOCK UNITS:** Thickset® 90 Series 8"x8"x4" (nominal size) and all other smaller face sizes, as manufactured by Seves Glass Block.
- **SUPPORTING FRAME:** A 1/8" thick two-piece aluminum channel with a thermal break, as available from Seves Glass Block. The two pieces consist of a base receptor that is directly anchored to any substrate listed in Anchorage Schedule below. Glass block may be installed within the base receptor with prefabricated sections, or may be installed with one complete prefabricated unit. The snap-on piece is secured with a rubber mallet after the glass blocks have been placed. Frame orientation can accommodate installation from either the exterior or interior side of the building.
- **PLASTIC CHANNEL AND SPACERS:** Extruded white rigid PVC. Rigid PVC plastic channel and spacers extruded by Cardinal Systems, Inc. approved by Miami-Dade (NOA).
- **SEALANT:** Seves Glass Block Sealant. One part neutral fast curing structural silicone sealant.
- **SEALANT LOCATIONS:** All horizontal and vertical exterior glass block joints; inside corners of supporting PVC base channel; two beads each above and below "long" horizontal spacer (no sealant required for "short" vertical spacers); perimeter joints between glass block and aluminum channel legs and over the rubber gaskets (both exterior and interior sides); and perimeter joints between aluminum channels and substrate walls (both exterior and interior sides).
- **REINFORCEMENT:** Rigid PVC spacers between all horizontal and vertical glass block joints. Rigid PVC channel is required within the two-piece aluminum channel frame at the base (sill) to support the glass block panel and to protect the glass block edges. Placement of rigid PVC channels at sides (jamb) and top of glass block panel within the two-piece aluminum channel is optional.
- **SHIM SPACES:** Maximum 3/8" shim space per side for all panel sizes.
- **FRAME CORNER CONSTRUCTION:** Each corner was mitered and fastened with (2) #10 x 2" long screws and sealed with silicone.

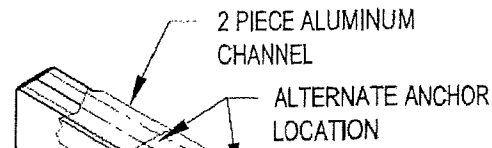
REVISIONS		
REV	DESCRIPTION	DATE
1	ADDED GLASS BITE TO GLASS BLOCK DETAIL	04/01/2014
2	ADDED FRAME CORNER CONSTRUCTION TO NOTES	04/01/2014

ANCHORAGE SCHEDULE					
SUBSTRATE	MATERIAL DATA	FASTENER	SPACING	MIN. EMBEDMENT (E)	MIN. EDGE DISTANCE (E.D.)
STEEL	MIN. 18 GA. f <sub>y</sub> = 36 KSI	HILTI KWIK FLEX S-MD 1/4"-14 x 1 1/2" HWH4 KF HEX HEAD SCREWS	2" FROM CORNER, 12" O.C.	3 THREADS PENETRATION BEYOND STEEL FRAMING	3/4"
CONCRETE	MIN. f <sub>c</sub> = 3000 PSI	HILTI KWIK CON II 1/4"Ø x 2 1/4" THWH HEX HEAD SCREWS	2" FROM CORNER, 12" O.C.	1 1/4"	2 1/2"
MASONRY	CONFORMS TO ASTM C90 GROUT CONFORMS TO ASTM C476 MIN. GROUT f <sub>c</sub> = 2000 PSI	HILTI KWIK CON II 1/4"Ø x 2 1/4" THWH HEX HEAD SCREWS	2" FROM CORNER, 12" O.C.	1 1/4"	2 1/2"
WOOD	MIN. S.G. = 0.55	SLOT HEX WASHER SMS #10 x 2" SCREWS	2" FROM CORNER, 12" O.C.	1 1/2"	3/4"



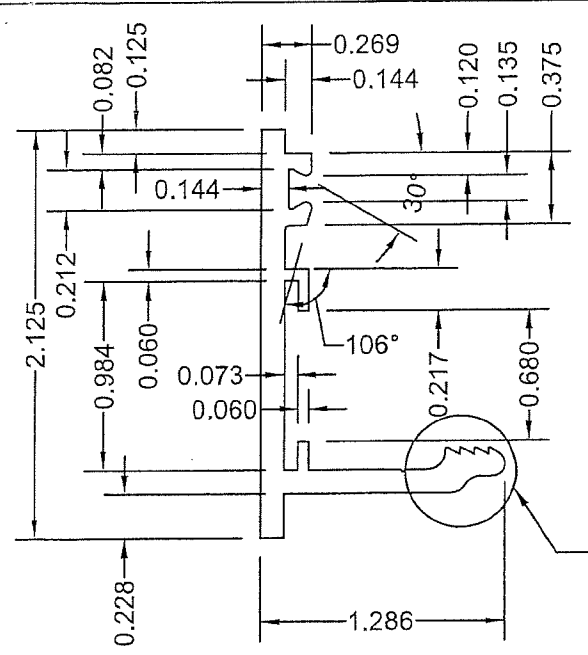
**INSTALLATION NOTES:**

- Complete Window System only available from Seves Glass Block.
- This System is not intended to be installed piece by piece with spacers.
- Separate dissimilar materials.



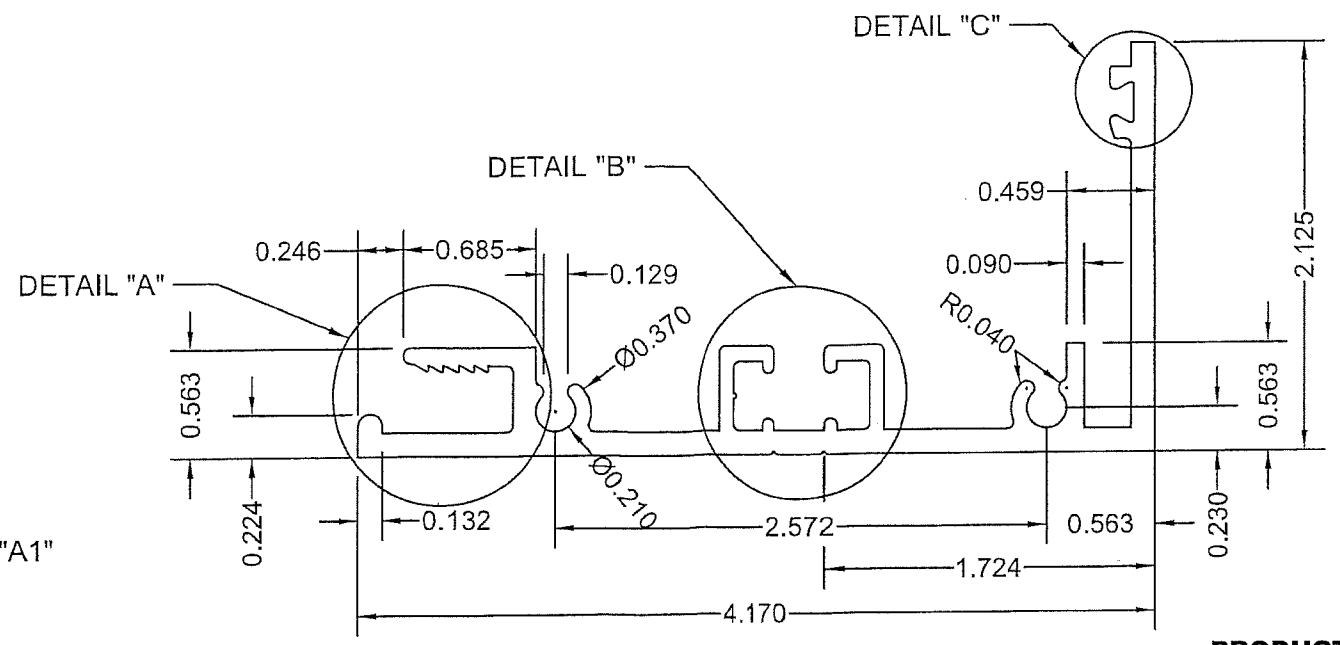
SEVES GLASS BLOCK			
SERIES	PATTERN	NOMINAL DIM.	MIN. FACE THICKNESS
THICKSET® 90	NUBIO®	8"x8"x4" AND ALL OTHER SMALLER FACE SIZES	0.75 IN.
THICKSET® 90	CLARITY®	8"x8"x4" AND ALL OTHER SMALLER FACE SIZES	0.75 IN.
THICKSET® 90	ENDURA®	8"x8"x4" AND ALL OTHER SMALLER FACE SIZES	0.75 IN.

<p><b>PRODUCT REVISED</b> as complying with the Florida Building Code NOA-No. 17-0821.15 Expiration Date 10/16/2018 By Miami-Dade Product Control</p>		TITLE	
		HIGH PERFORMANCE SYSTEMS HURRICANE-RESISTANT GLASS BLOCK PANELS	
		SEVES GLASS BLOCK, INC. 10576 BROADVIEW ROAD BROADVIEW HEIGHTS, OH 44147	
SCALE	1:2	DWG. NO.	HRGBP-002
BY	LBA	DATE	01/10/2014
		SHEET	2 OF 3



**SECONDARY ALUMINUM CHANNEL TO SNAP ON**  
SCALE 1:1

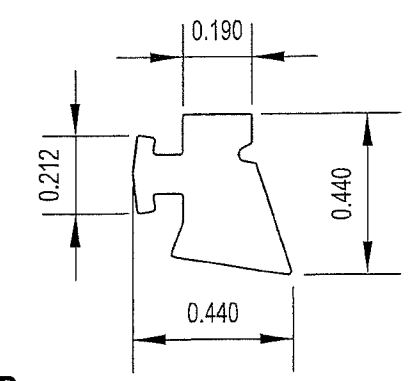
NOTES:  
UNSPECIFIED WALL THICKNESS = 0.125"  
ALLOY - 6063-T6  
STANDARD COMMERCIAL TOLERANCES FOR EXTRUDED PRODUCTS APPLY UNLESS SPECIFIED OTHERWISE  
BREAK EXT. CORNERS 0.015" RADIUS OR AS NOTED



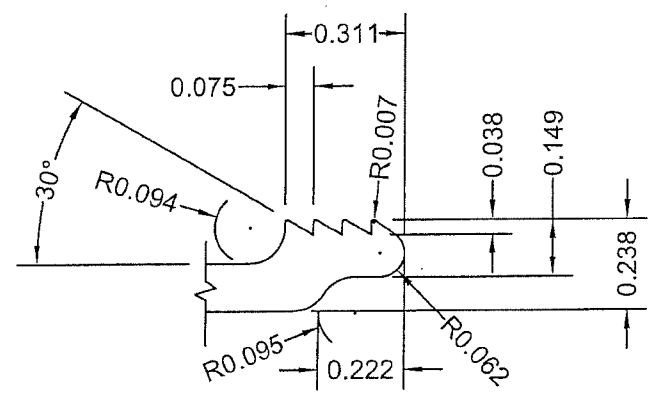
**PRIMARY ALUMINUM CHANNEL**  
SCALE 1:1

**PRODUCT RENEWED**  
as complying with the Florida Building Code  
NOA-No. **18-0522.04**  
Expiration Date **10/16/2023**  
By *[Signature]*  
**Miami-Dade Product Control**

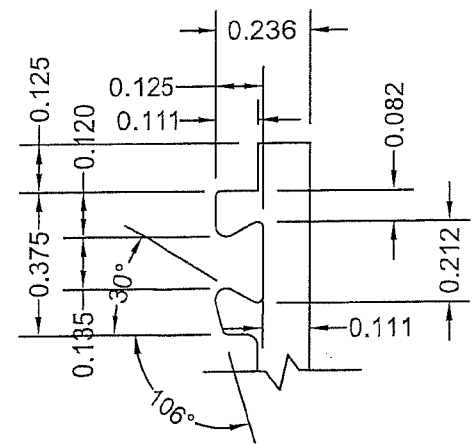
REVISIONS		
REV	DESCRIPTION	DATE



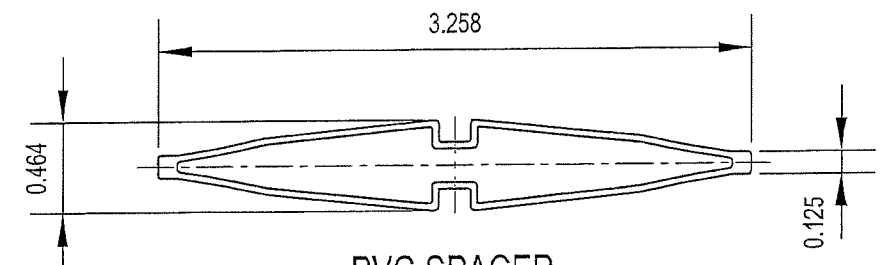
**GASKET**  
SCALE 2:1



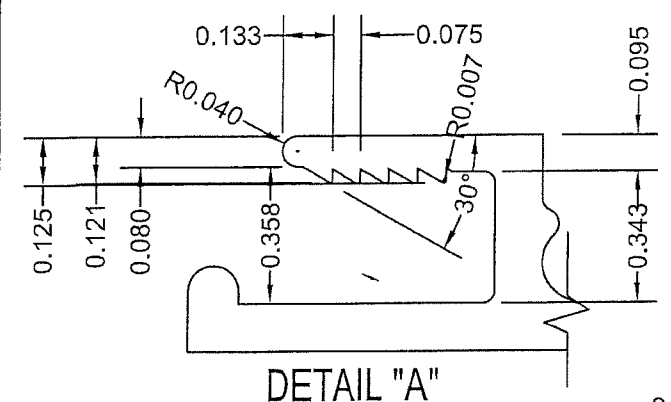
**DETAIL "A1"**  
SCALE 2:1



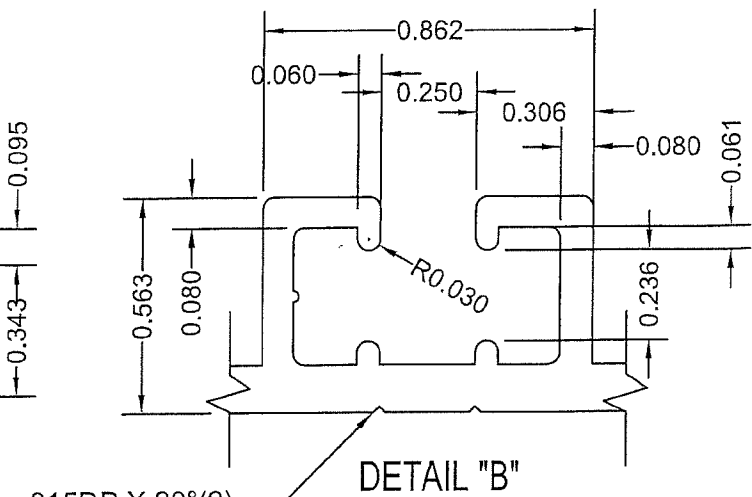
**DETAIL "C"**  
SCALE 2:1



**PVC SPACER**  
PART NO. QP-0514,  
CARDINAL SYSTEMS INC.  
APPROVED BY MIAMI-DADE (NOA)  
SCALE 1:1

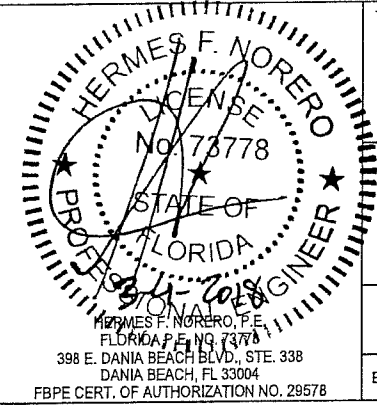


**DETAIL "A"**  
SCALE 2:1



**DETAIL "B"**  
SCALE 2:1

**PRODUCT REVISED**  
as complying with the Florida Building Code  
NOA-No. **17-0821.15**  
Expiration Date **10/16/2018**  
By *[Signature]*  
**Miami-Dade Product Control**



TITLE <b>HIGH PERFORMANCE SYSTEMS HURRICANE-RESISTANT GLASS BLOCK PANELS</b>			
SEVES GLASS BLOCK, INC. 10576 BROADVIEW ROAD BROADVIEW HEIGHTS, OH 44147			
SCALE	DWG. NO.	REV	
VARIES	HRGBP-003	0	
BY	DATE	SHEET	
LBA	01/10/2014	3 OF 3	