



MIAMI-DADE COUNTY
 PRODUCT CONTROL SECTION
 11805 SW 26 Street, Room 208
 Miami, Florida 33175-2474
 T (786) 315-2590 F (786) 315-2599
www.miamidade.gov/economy

DEPARTMENT OF REGULATORY AND ECONOMIC RESOURCES (RER)
 BOARD AND CODE ADMINISTRATION DIVISION

NOTICE OF ACCEPTANCE (NOA)

Reynaers, Inc.
 21430 N. 15th Lane, Suite 100
 Phoenix, AZ 85027

SCOPE:

This NOA is being issued under the applicable rules and regulations governing the use of construction materials. The documentation submitted has been reviewed and accepted by Miami-Dade County RER - Product Control Section to be used in Miami Dade County and other areas where allowed by the Authority Having Jurisdiction (AHJ).

This NOA shall not be valid after the expiration date stated below. The Miami-Dade County Product Control Section (In Miami-Dade County) and/ or the AHJ (in areas other than Miami-Dade County) reserve the right to have this product or material tested for quality assurance purposes. If this product or material fails to perform in the accepted manner, the manufacturer will incur the expense of such testing and the AHJ may immediately revoke, modify, or suspend the use of such product or material within their jurisdiction. RER reserves the right to revoke this acceptance, if it is determined by Miami-Dade County Product Control Section that this product or material fails to meet the requirements of the applicable building code.

This product is approved as described herein, and has been designed to comply with the Florida Building Code, including the High Velocity Hurricane Zone.-

DESCRIPTION: Series "CS77" Outswing Aluminum Casement Window - L.M.I.

APPROVAL DOCUMENT: Drawing No. CS77CASELMI, titled "CS77 Series Casement Window", sheets 1 through 7 of 7, dated 07/30/18, prepared by manufacturer, signed and sealed by Scott Wolters, P.E., bearing the Miami-Dade County Product Control Approval stamp with the Notice of Acceptance number and approval date by the Miami-Dade County Product Control Section.

MISSILE IMPACT RATING: Large Missile Impact Resistant

LABELING: Each unit shall bear a permanent label with the manufacturer's name or logo, city, state, series, and following statement: "Miami-Dade County Product Control Approved", unless otherwise noted herein.

RENEWAL of this NOA shall be considered after a renewal application has been filed and there has been no change in the applicable building code negatively affecting the performance of this product.

TERMINATION of this NOA will occur after the expiration date or if there has been a revision or change in the materials, use, and/ or manufacture of the product or process. Misuse of this NOA as an endorsement of any product, for sales, advertising or any other purposes shall automatically terminate this NOA. Failure to comply with any section of this NOA shall be cause for termination and removal of NOA.

ADVERTISEMENT: The NOA number preceded by the words Miami-Dade County, Florida, and followed by the expiration date may be displayed in advertising literature. If any portion of the NOA is displayed, then it shall be done in its entirety.

INSPECTION: A copy of this entire NOA shall be provided to the user by the manufacturer or its distributors and shall be available for inspection at the job site at the request of the Building Official.

This NOA consists of this page 1 and evidence pages E-1 and E-2, as well as approval document mentioned above.

The submitted documentation was reviewed by **Manuel Perez, P.E.**



Handwritten signature and date: 4/18/19

NOA No. 18-1226.02
 Expiration Date: April 25, 2024
 Approval Date: April 25, 2019
 Page 1

NOTICE OF ACCEPTANCE: EVIDENCE SUBMITTED

A. DRAWINGS

1. Manufacturer's die drawings and sections.
2. Drawing No **CS77CASELMI**, titled "CS77 Series Fixed Window", sheets 1 through 7 of 7, dated 07/30/18, prepared by manufacturer, signed and sealed by Scott Wolters, P.E.

B. TESTS

1. Test reports on:
 - 1) Air Infiltration Test, per FBC, TAS 202-94
 - 2) Uniform Static Air Pressure Test, Loading per FBC, TAS 202-94
 - 3) Water Resistance Test, per FBC, TAS 202-94
 - 4) Large Missile Impact Test per FBC, TAS 201-94
 - 5) Cyclic Wind Pressure Loading per FBC, TAS 203-94
 - 6) Forced Entry Test, per ASTM F588, and TAS 202-94along with marked-up drawings and installation diagram of aluminum fixed and outswing casement window mulled units, prepared by Intertek, Inc. Test Report No. **G4624.01-450-18 R0**, dated 11/02/18, signed and sealed by Vinu J. Abraham, P.E.

C. CALCULATIONS

1. Anchor verification calculations and structural analysis, complying with **FBC-6th Edition (2017)**, dated 11/16/18 and 03/28/19, prepared by Wolters Engineering, Inc., signed and sealed by Scott Wolters, P.E.
2. Glazing complies with **ASTM E1300-09**

D. QUALITY ASSURANCE

1. Miami-Dade Department of Regulatory and Economic Resources (RER).



Manuel Perez, P.E.

Product Control Examiner

NOA No. 18-1226.02

Expiration Date: April 25, 2024

Approval Date: April 25, 2019

NOTICE OF ACCEPTANCE: EVIDENCE SUBMITTED

E. MATERIAL CERTIFICATIONS

1. Notice of Acceptance No. **17-0808.02** issued to **Kuraray America, Inc.** for their "**SentryGlas® (Clear and White) Glass Interlayers**" dated 12/28/17, expiring on 07/04/23.
2. Project No. **TFB-001-02-01**, prepared by PRI Construction Materials Technologies LLC, dated 02/08/18 to 08/16/18, issued to **Technoform Bautech**, for their **I-Strut Insulating Strip** comprised of Polyamide with 25% glass fibers, per **ASTM D1929-16** "*Standard Test Method for Ignition Properties of Plastics*", per **ASTM D635-14** "*Standard Test Method for Rate of Burning and/or Extent and Time of Burning of Plastics in a Horizontal Position*", per **ASTM D638-14** "*Standard Test Methods for Tensile Properties of Plastics*", per **ASTM G155-04** "*Standard Practice for Operating Xenon Arc Light Apparatus for Exposure of Non-Metallic Materials*" and **ASTM D2843-16** "*Standard Test Method for the Density of Smoke from the Burning Decomposition of Plastics*", signed and sealed by Zachary Priest, P.E.
3. Material Data Sheet for "insulating profiles made of PA 66 GF25 – dry impact resistant, to fit into Technoform I-Strut™ Aluminum Standard Reglet.
4. Test report No. **ATI-60520.02-106-18**, prepared by Architectural Testing, Inc., dated 11/09/06, with revision date 11/29/06, issued to **Ensinger, Inc.**, for their **Tecatherm® 66GF insulbar material** comprised of Polyamide with 25% glass fibers, per **ASTM G 155-00ae1**, "*Standard Practice for Operating Xenon Arc Light Apparatus for Exposure of /Non-Metallic Materials*", per **ASTM D638-03** "*Standard Test Methods for Tensile Properties of Plastics*", for exposed & unexposed sample per Xenon Arc after 4500 Hours, **ASTM D635-98** "*Standard Test Method for Rate of Burning and/or Extent and Time of Burning of Plastics in a Horizontal Position*", **ASTM D1929-96** (2000)e01 "*Standard Test Method for Determining Ignition Properties of Plastics*" and **ASTM D2843-99** "*Standard Test Method for Density of Smoke from the Burning or Decomposition of Plastics*", signed and sealed by Joseph A. Reed, P.E.

F. STATEMENTS

1. Statement letter of conformance, complying with the **FBC 6th Edition (2017)**, dated November 16, 2018, issued by Wolters Engineering, Inc., signed and sealed by Scott Wolters, P.E.
2. Statement letter of no financial interest, dated November 16, 2018, issued by Wolters Engineering, Inc., signed and sealed by Scott Wolters, P.E.
3. Laboratory compliance letters for Test Report No. **G4624.01-450-18**, issued by Intertek, Inc., dated November 26, 2018, signed and sealed by Vinu J. Abraham, P.E.

G. OTHERS

1. None.


Manuel Perez, P.E.
Product Control Examiner

NOA No. 18-1226.02

Expiration Date: April 25, 2024

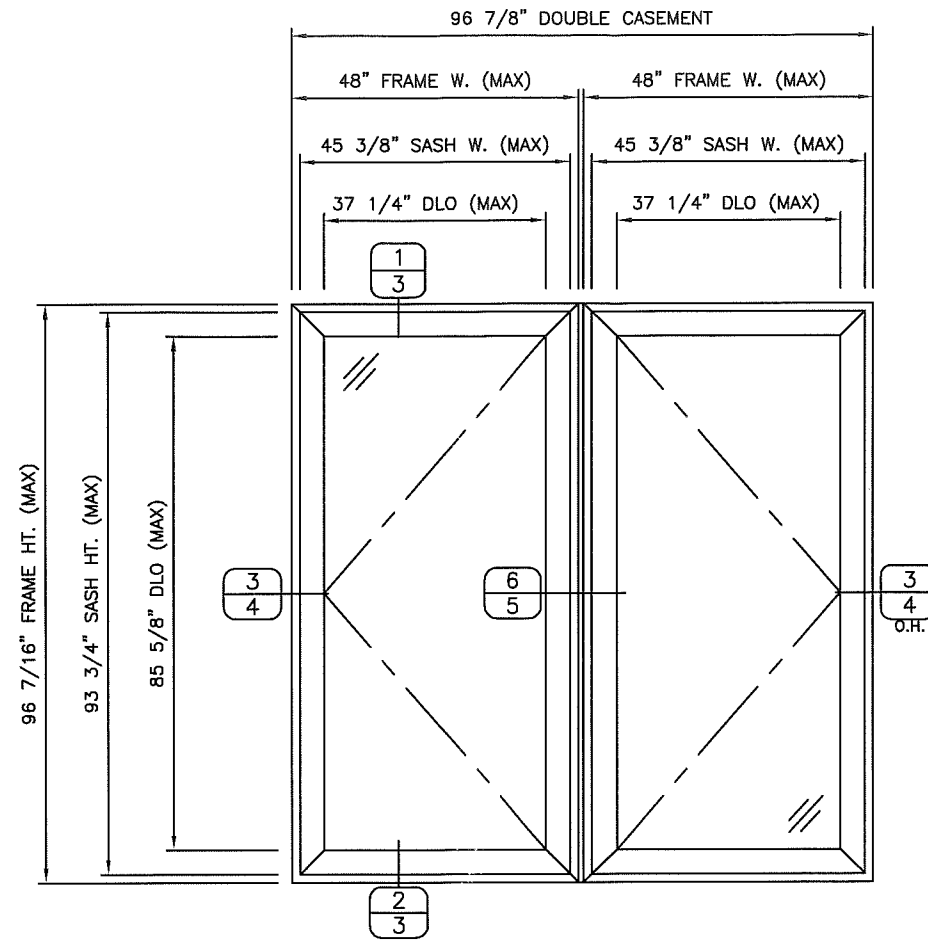
Approval Date: April 25, 2019

GENERAL NOTES:

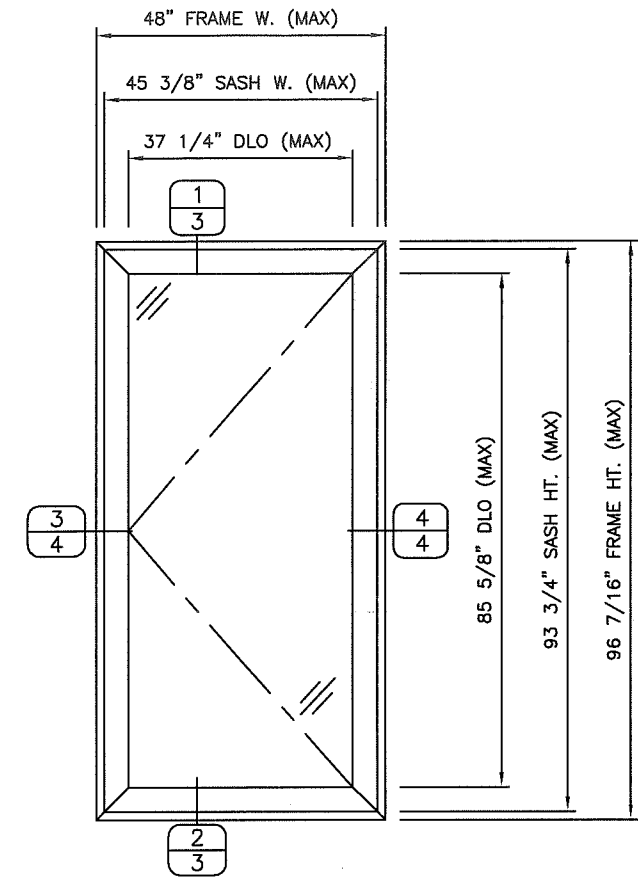
1. ALLOWABLE DESIGN PRESSURE: +/- 65 PSF
2. THIS PRODUCT HAS BEEN DESIGNED AND TESTED TO TAS 201, 202, & 203 PROTOCOLS IN ACCORDANCE WITH THE REQUIREMENTS OF THE CURRENT EDITION OF THE FLORIDA BUILDING CODE (FBC), INCLUDING THE HVHZ PROVISIONS.
3. THIS PRODUCT AS SHOWN HEREIN IS LARGE AND SMALL MISSILE IMPACT RESISTANT FOR INSTALLATIONS UP TO 30 FT ABOVE GRADE. (SHUTTERS ARE REQUIRED FOR INSTALLATIONS > 30 FT ABOVE GRADE).
4. WOOD OR MASONRY OPENINGS, BUCKS, AND BUCK FASTENERS, BY OTHERS, SHALL BE PROPERLY DESIGNED AND INSTALLED TO TRANSFER LOADS TO THE STRUCTURE.
5. ANCHOR TYPE, SIZE, SPACING, AND EMBEDMENT SHALL BE AS INDICATED IN THIS APPROVAL. ANCHOR EMBEDMENT TO SUBSTRATE SHALL BE BEYOND WALL DRESSING OR STUCCO.
6. ALL FASTENERS PENETRATING INTO PRESSURE TREATED WOOD SHALL BE CAPABLE OF PREVENTING CORROSION DUE TO REACTION WITH PRESSURE TREATMENT CHEMICALS.
7. DISSIMILAR MATERIALS THAT COME INTO CONTACT SHALL BE PROTECTED TO PREVENT GALVANIC REACTIONS.
8. NO STRESS INCREASES WERE USED IN THE DESIGN OR ANALYSIS OF THIS PRODUCT. A WIND LOAD DURATION FACTOR $C_d = 1.6$ WAS USED FOR THE ANALYSIS OF WOOD SCREWS ONLY.

CORNER CONSTRUCTION:

9. WINDOW FRAME CORNERS ARE MITERED AND CRIMPED OVER 0687853.00 AND 0687952.00 CORNER KEYS, AND SECURED WITH REYNASEAL DUO.
10. WINDOW SASH CORNERS ARE MITERED AND CRIMPED OVER (2) 0687771.00 CORNER KEYS, SECURED WITH REYNASEAL DUO, AND SEALED WITH REYNAPROTECTOR.

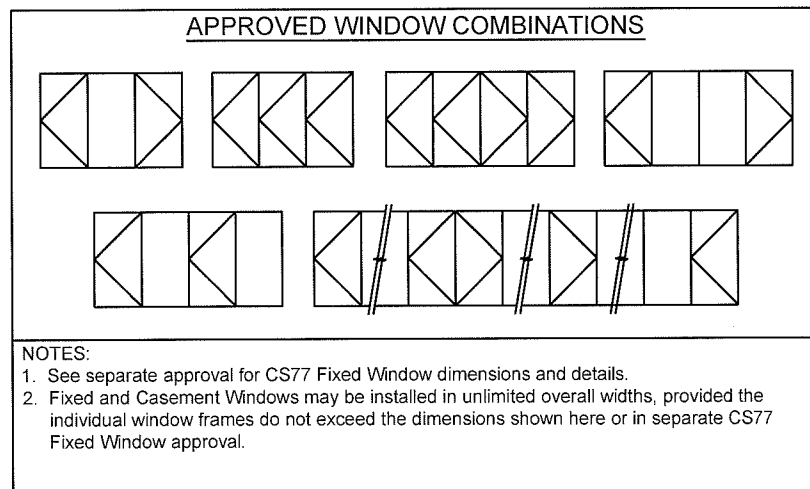


**DOUBLE CASEMENT WINDOW
(EXTERIOR VIEW)**

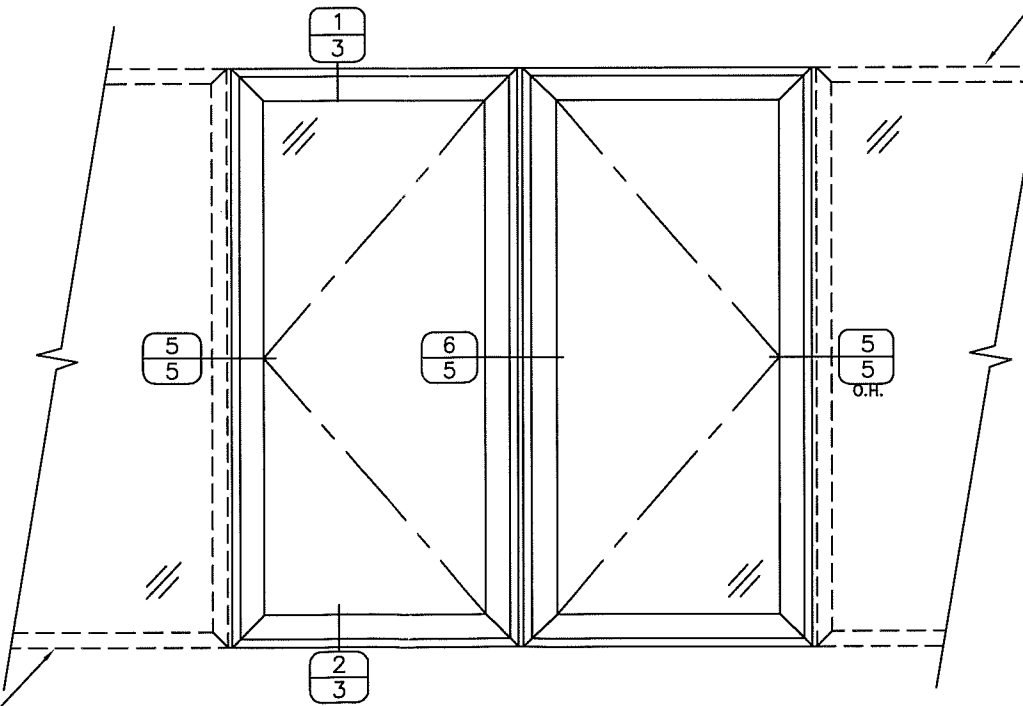


**CASEMENT WINDOW
(EXTERIOR VIEW)**

DESIGN PRESSURE
+/- 65 PSF



OPTIONAL CS77 FIXED WINDOWS
PER SEPARATE PRODUCT APPROVAL.



**DOUBLE CASEMENT WINDOW
WITH OPTIONAL FIXED SIDELITES
(EXTERIOR VIEW)**

OPTIONAL CS77 FIXED WINDOWS
PER SEPARATE PRODUCT APPROVAL.

FOR FASTENER AND HARDWARE
LOCATIONS SEE SHEET 2/7.

Approved as complying with the
Florida Building Code
Date: **APR 25 2019**
NOAF: **178-1226-02**
Miami Dade Product Control

Manuel Perez

DATE:	7/30/18
DATE	
REVISION DESCRIPTION	
NO.	

CS77 SERIES CASEMENT WINDOW

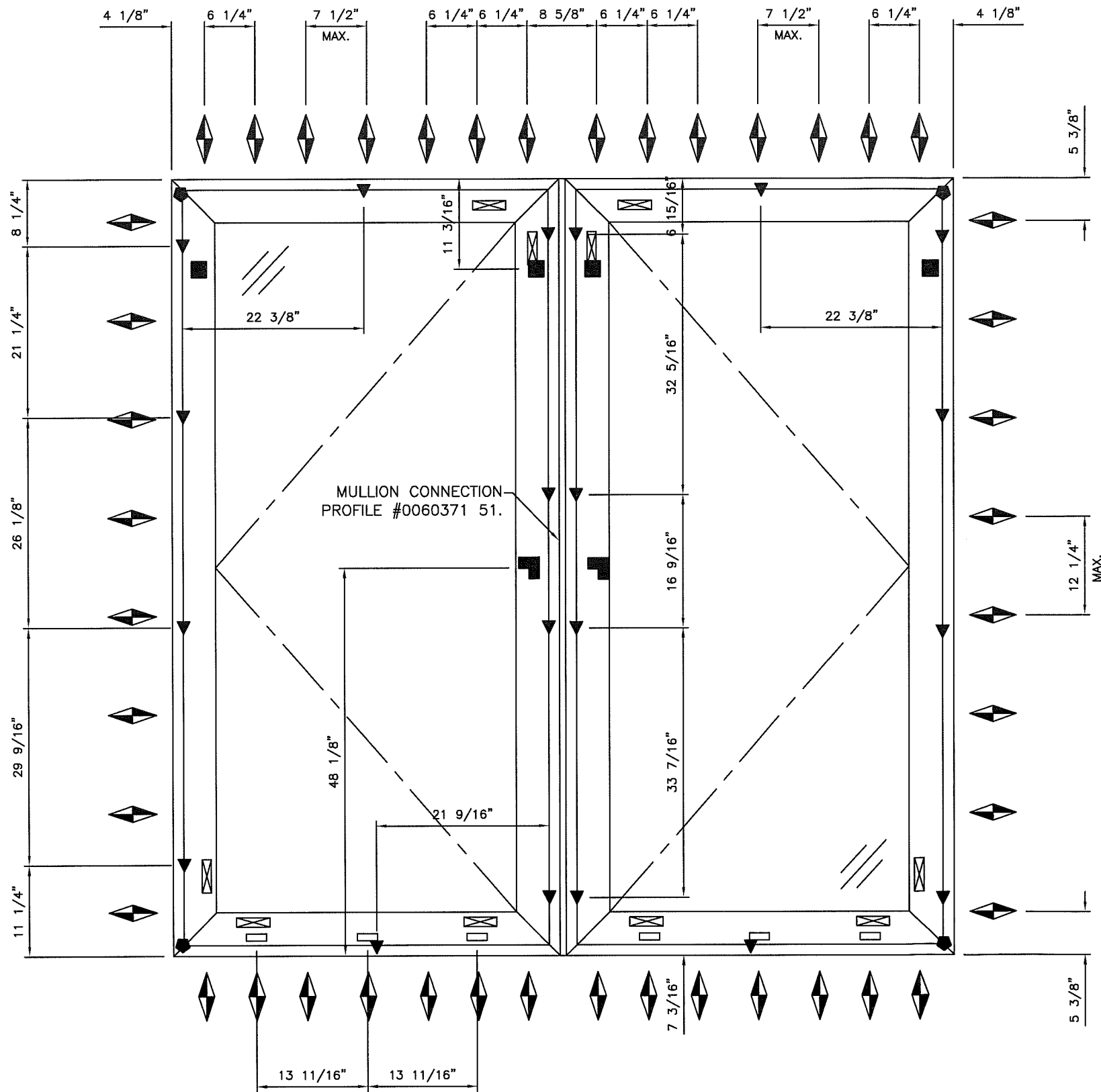
REYNAEERS, INC.
21430 NORTH 15TH LANE, SUITE 111
PHOENIX, AZ 85027
Ph: (480) 272-9688
www.reynaeers.com

SCOTT WOLTERS
FL PE# 62354
STATE OF FLORIDA
REGISTERED PROFESSIONAL ENGINEER
MAR 28 2019

DRAWING NO.
CS77CASELMI

SHEET NO.
1 OF 7

FASTENER AND HARDWARE LOCATIONS

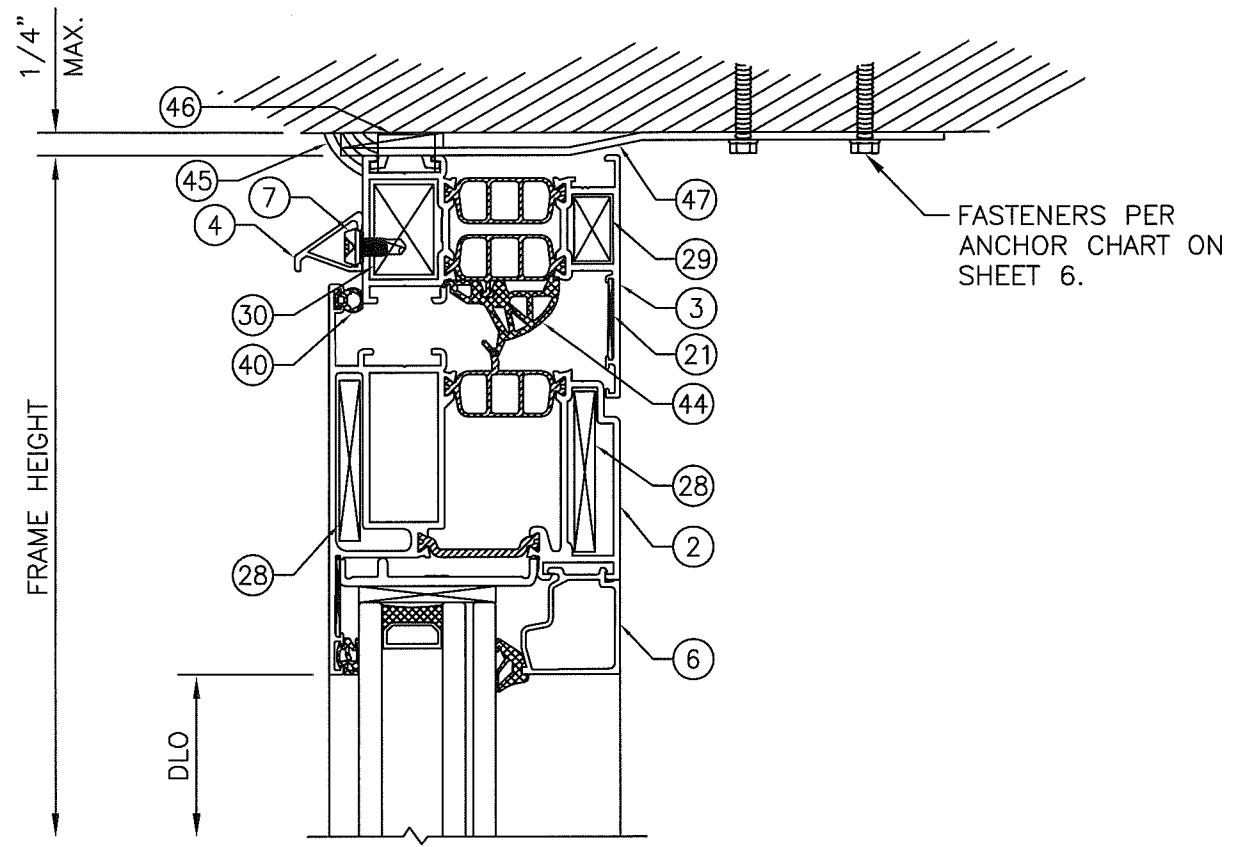


SYMBOL LEGEND:

- STRAP ANCHOR 0566016 WITH (2) FASTENERS PER FRAME ANCHOR CHART ON SHEET 6/7.
- SOBINCO LOCKING HARDWARE, (10) PER VENT (FOR MORE INFO SEE BILL OF MATERIALS ON SHEET 7/7).
- SOBINCO HINGES 060.9012 (LEFT) OR 060.9013 (RIGHT), (2) PER VENT.
- SOBINCO LOCK HANDLE 060.6543.
- WEEP SLOT AND COVER 069.6831.04, (3) PER VENT.
- VENT DECOMPRESSION (3/16" DIA.)
- GLASS SETTING BLOCK OR CORNER BLOCK.

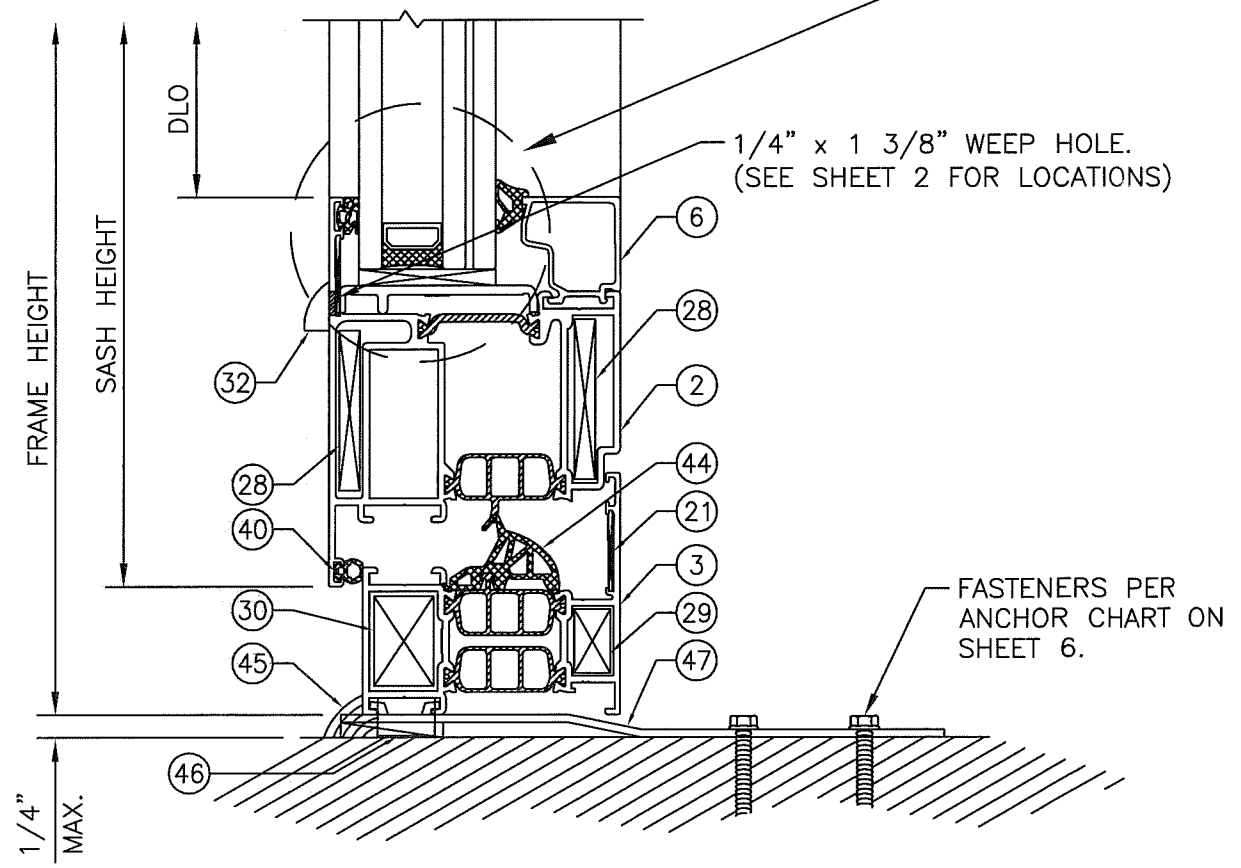
Approved as complying with the
 Florida Building Code
 Date April 25, 2019
 NOA# 118-1226-02
 Miami Dade Product Control
Manuel Perez

	DATE	7/30/18			
	DATE				
	REVISION DESCRIPTION				
	NO.				
CS77 SERIES CASEMENT WINDOW		<h1 style="margin: 0;">REYNAERS, INC.</h1> <p style="font-size: small; margin: 0;">21430 NORTH 15TH LANE, SUITE 111 PHOENIX, AZ 85027 Ph: (480) 272-9688 www.reynaers.com</p>			
SCOTT WALTERS FL PE# 62354 WALTERS ENGINEERING (CORP 27184) 15211 97TH ROAD, SUITE 100 WEST PALM BEACH, FL 33411					
DRAWING NO.		CS77CASELMI			
SHEET NO.		2 OF 7			

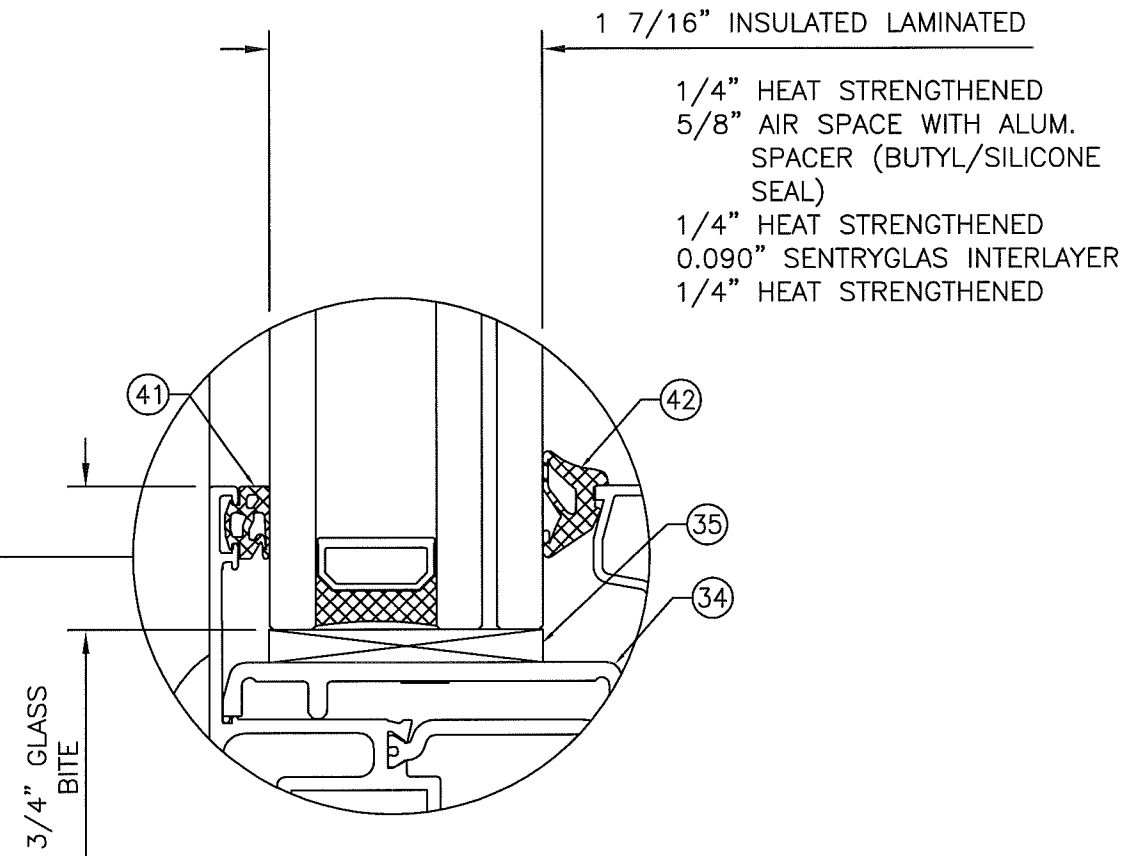


FASTENERS PER ANCHOR CHART ON SHEET 6.

EXTERIOR



FASTENERS PER ANCHOR CHART ON SHEET 6.



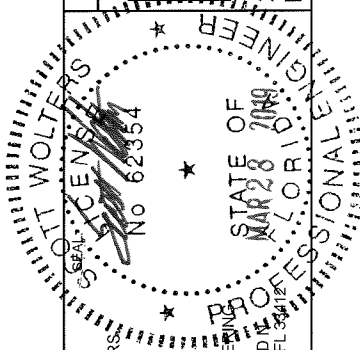
GLAZING DETAIL

1 7/16" INSULATED LAMINATED
 1/4" HEAT STRENGTHENED
 5/8" AIR SPACE WITH ALUM.
 SPACER (BUTYL/SILICONE
 SEAL)
 1/4" HEAT STRENGTHENED
 0.090" SENTRYGLAS INTERLAYER
 1/4" HEAT STRENGTHENED

1
3

2
3

Approved as complying with the
 Florida Building Code
 Date: April 25, 2019
 NOAR 118-1226-02
 Miami Code Product Control
Manuel Perez



DATE:	7/30/18
REVISION DESCRIPTION	
NO.	
REYNAERS, INC. 21430 NORTH 15TH LANE, SUITE 111 PHOENIX, AZ 85027 Ph: (480) 272-9688 www.reynaers.com	
CS77 SERIES CASEMENT WINDOW	
DRAWING NO.	CS77CASELMI
SHEET NO.	3 of 7

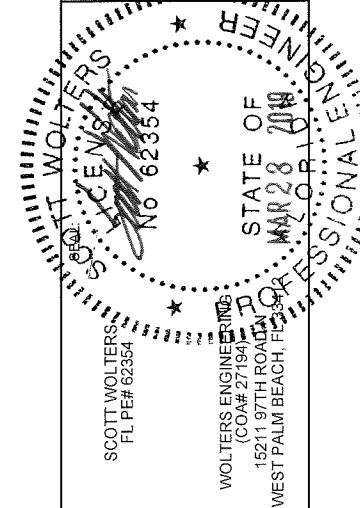
NO.	REVISION DESCRIPTION	DATE

CS77 SERIES CASEMENT WINDOW

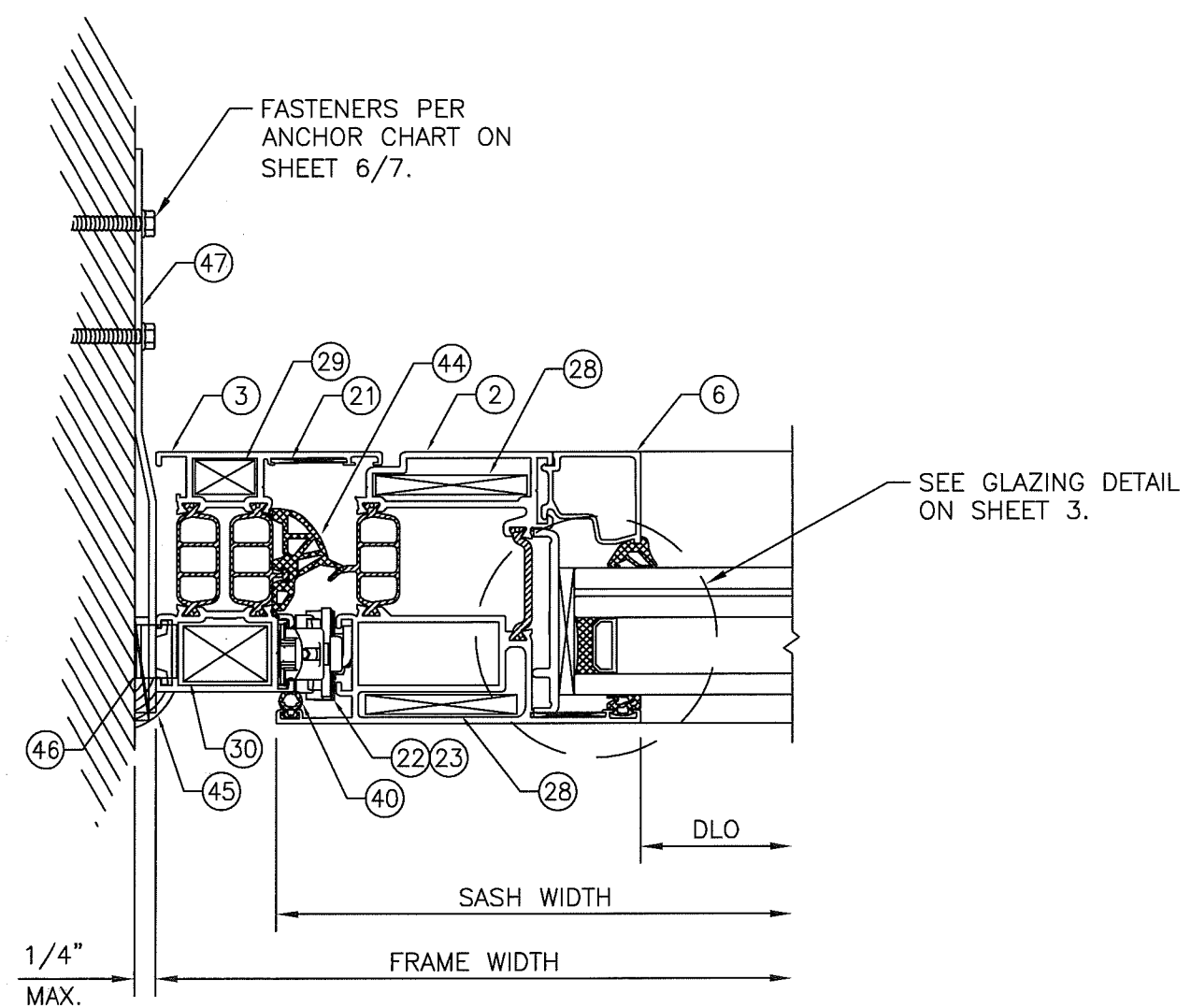
REYNAERS, INC.

21430 NORTH 15TH LANE, SUITE 111
PHOENIX, AZ 85027

Ph: (480) 272-9688
www.reynaers.com

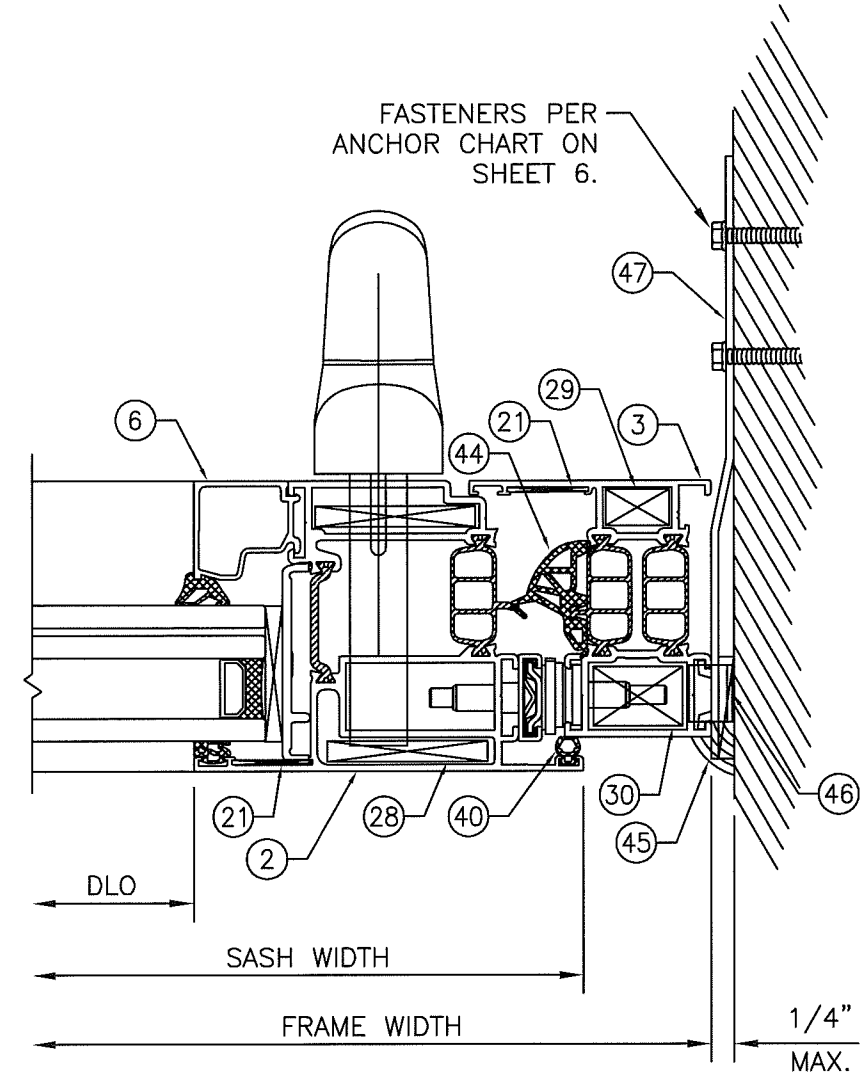


DRAWING NO. CS77CASELMI
SHEET NO. 4 of 7



3
4

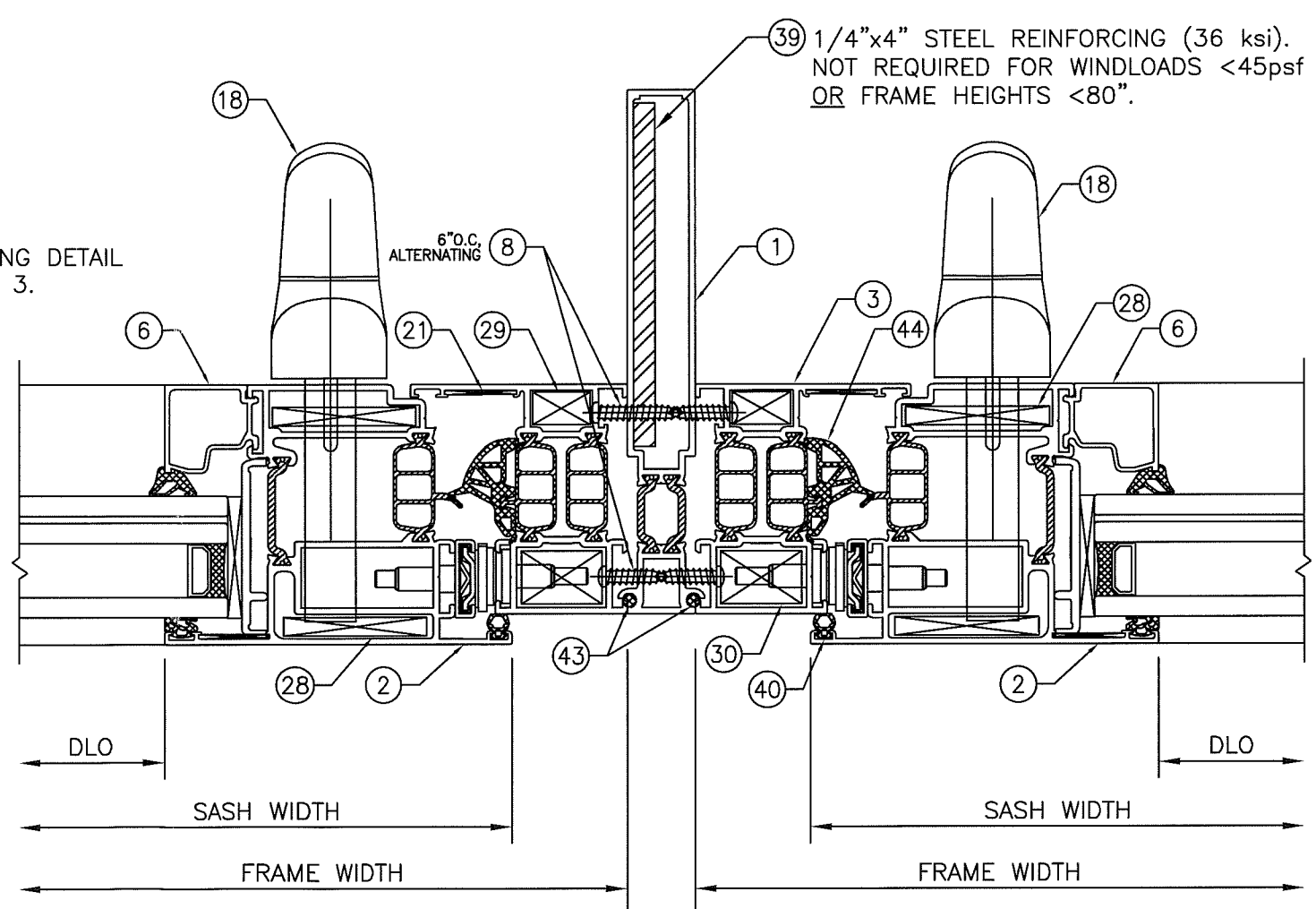
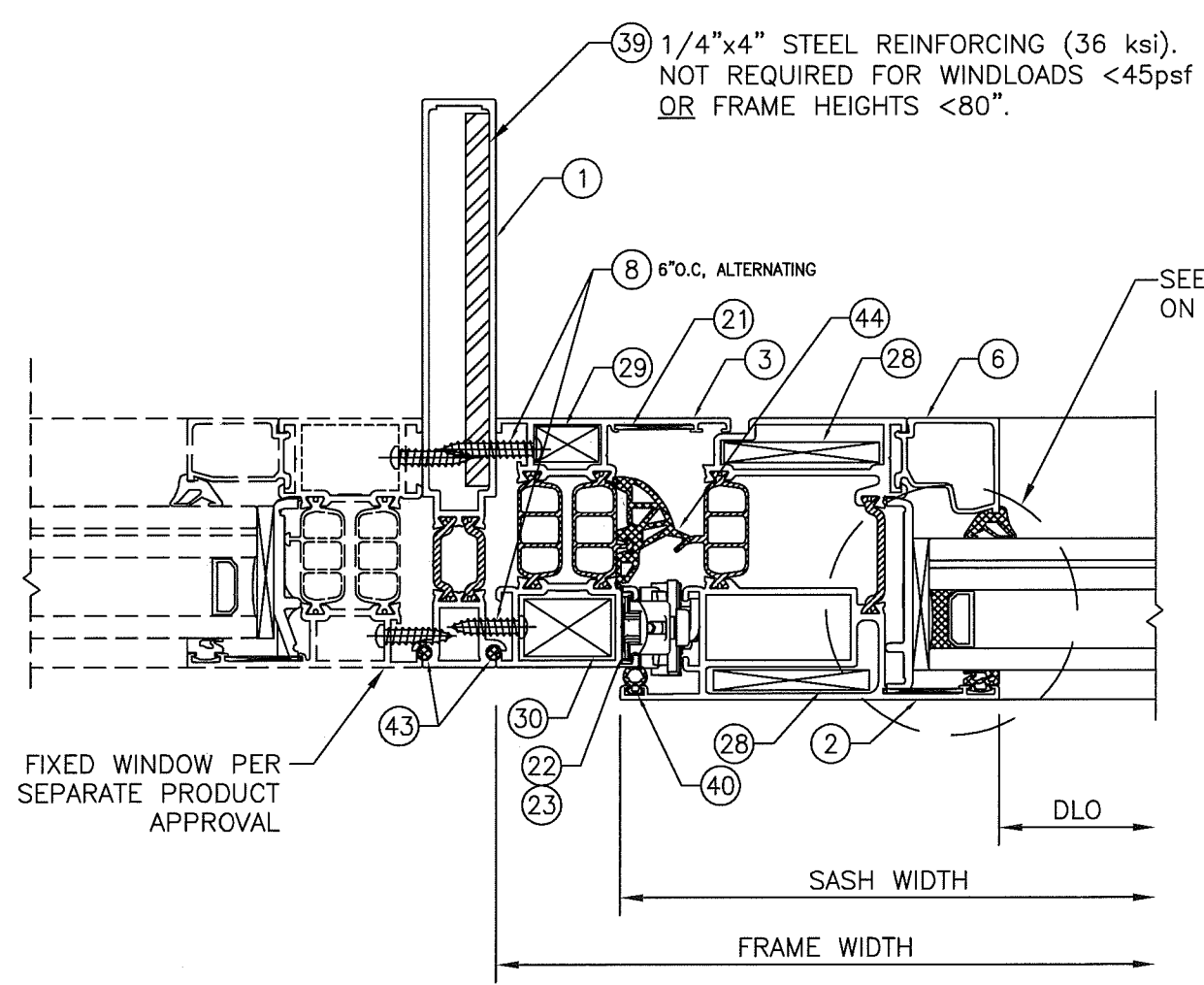
EXTERIOR



4
4

Approved as complying with the Florida Building Code
Date: April 25, 2019
18-1326.02
Manuel Perez

DATE:	7/30/18
REVISION DESCRIPTION	
NO.	



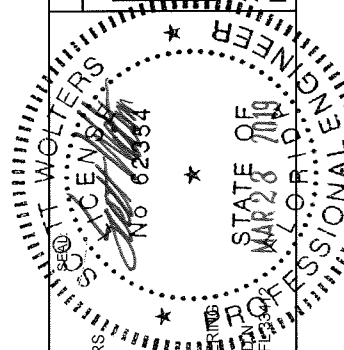
5
5

6
5

EXTERIOR

FIXED WINDOW PER SEPARATE PRODUCT APPROVAL

Approved as complying with the Florida Building Code
 Date: April 25, 2019
 18-1226-02
 Manual Perez



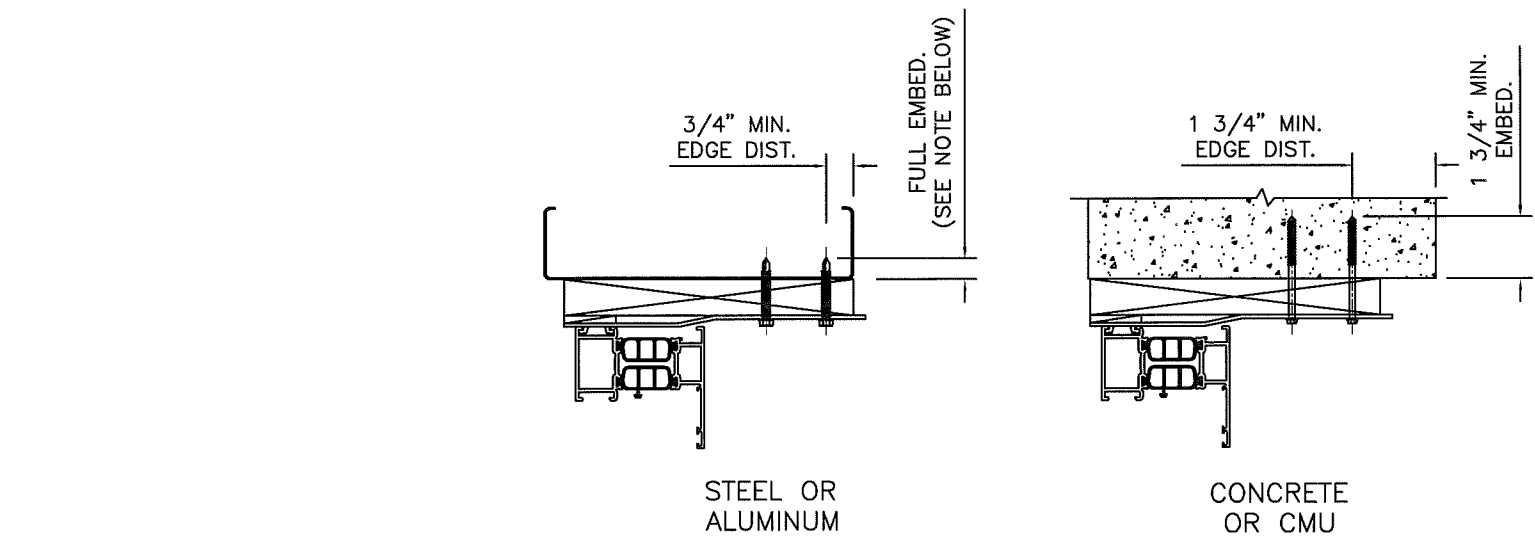
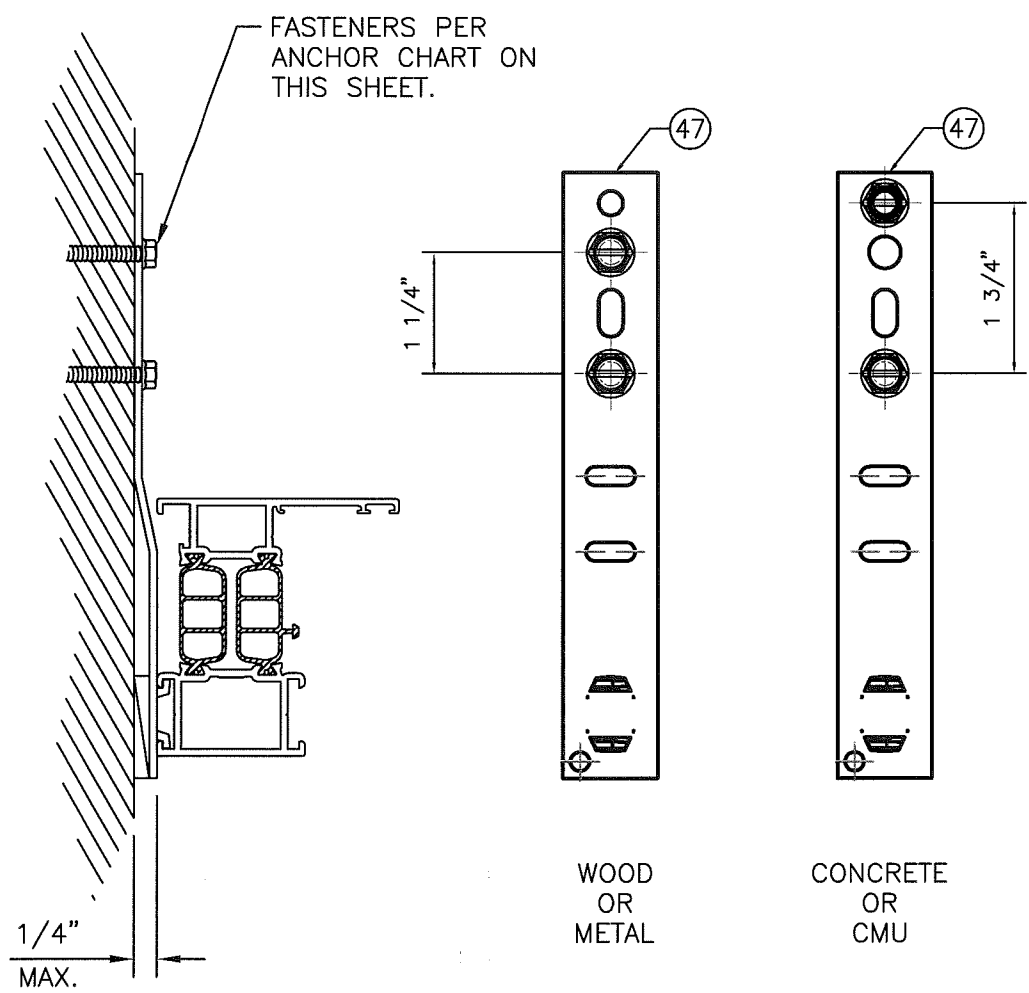
CS77 SERIES CASEMENT WINDOW

REYNAERS, INC.

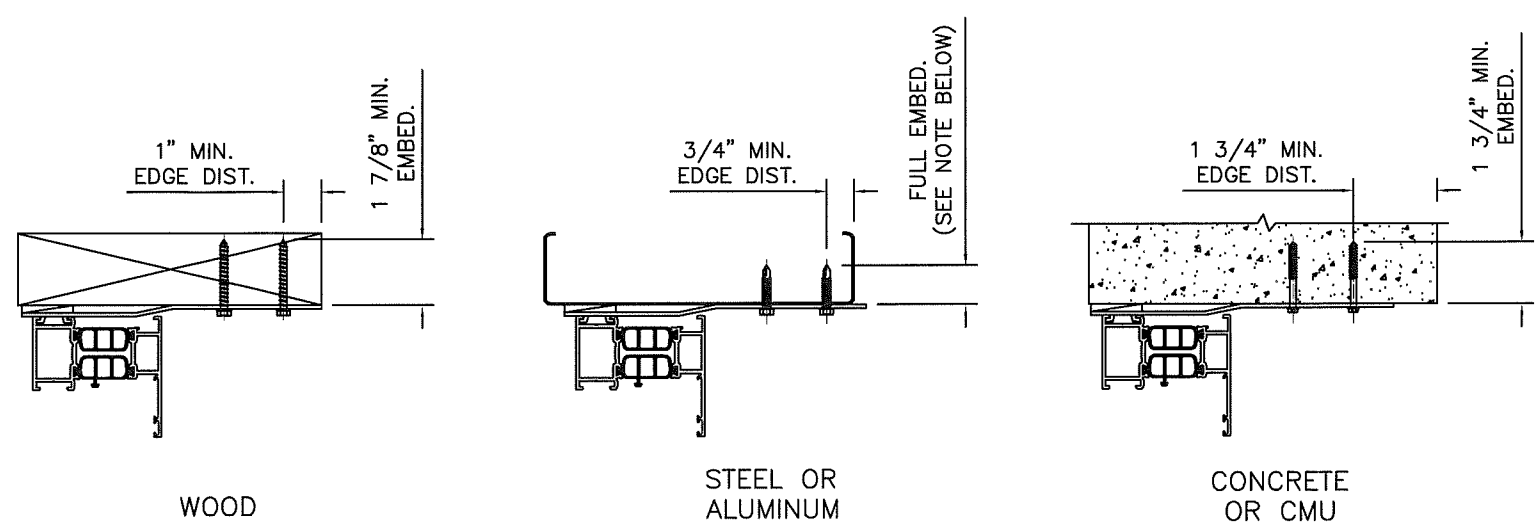
21430 NORTH 15TH LANE, SUITE 111
 PHOENIX, AZ 85027

Ph: (480) 272-9688
 www.reynaers.com

DRAWING NO. CS77CASELMI
 SHEET NO. 5 of 7



TYPICAL ANCHOR CONDITIONS
WITH OPTIONAL WOOD BUCKS (1x MAX)



TYPICAL ANCHOR CONDITIONS
(HEAD SHOWN. SILL AND JAMBS ARE SIMILAR)

FRAME ANCHOR CHART:

SUBSTRATE	ANCHOR	MIN. EMBEDMENT	MIN. EDGE DISTANCE	SPACING
WOOD (2x, S.G.= 0.55 MIN)	#14 WOOD SCREW (Gr. 5 MIN)	1 7/8"	1"	1 1/4"
STEEL STUD (16 Ga, 33 KSI MIN)	1/4"-14 ITW TEKS SCREW, ELCO DRIL-FLEX, or ELCO SS BI-FLEX	FULL*	3/4"	1 1/4"
ALUM. (1/8" 6063-T5 MIN) OR STEEL (1/8", 33 KSI MIN)	1/4"-14 ITW TEKS SCREW, ELCO DRIL-FLEX, or ELCO SS BI-FLEX	FULL*	3/4"	1 1/4"
CONCRETE (3000 PSI MIN)	1/4" DIA. ITW TAPCON, ELCO ULTRACON, or ELCO SS AGGRE-GATOR	1 3/4"	1 3/4"	1 3/4"
GROUT-FILLED CMU (ASTM C90 MIN)	1/4" DIA. ITW TAPCON, ELCO ULTRACON, or ELCO SS AGGRE-GATOR	1 3/4"	1 3/4"	1 3/4"

* FULLY PENETRATES METAL WITH 3 THREADS BEYOND

Approved as complying with the Florida Building Code
 Date: April 23, 2019
 NOAH
 Manual Perez
 Miami Dade Product Control

DATE: 7/30/18

REVISION DESCRIPTION

NO.

CS77 SERIES CASEMENT WINDOW

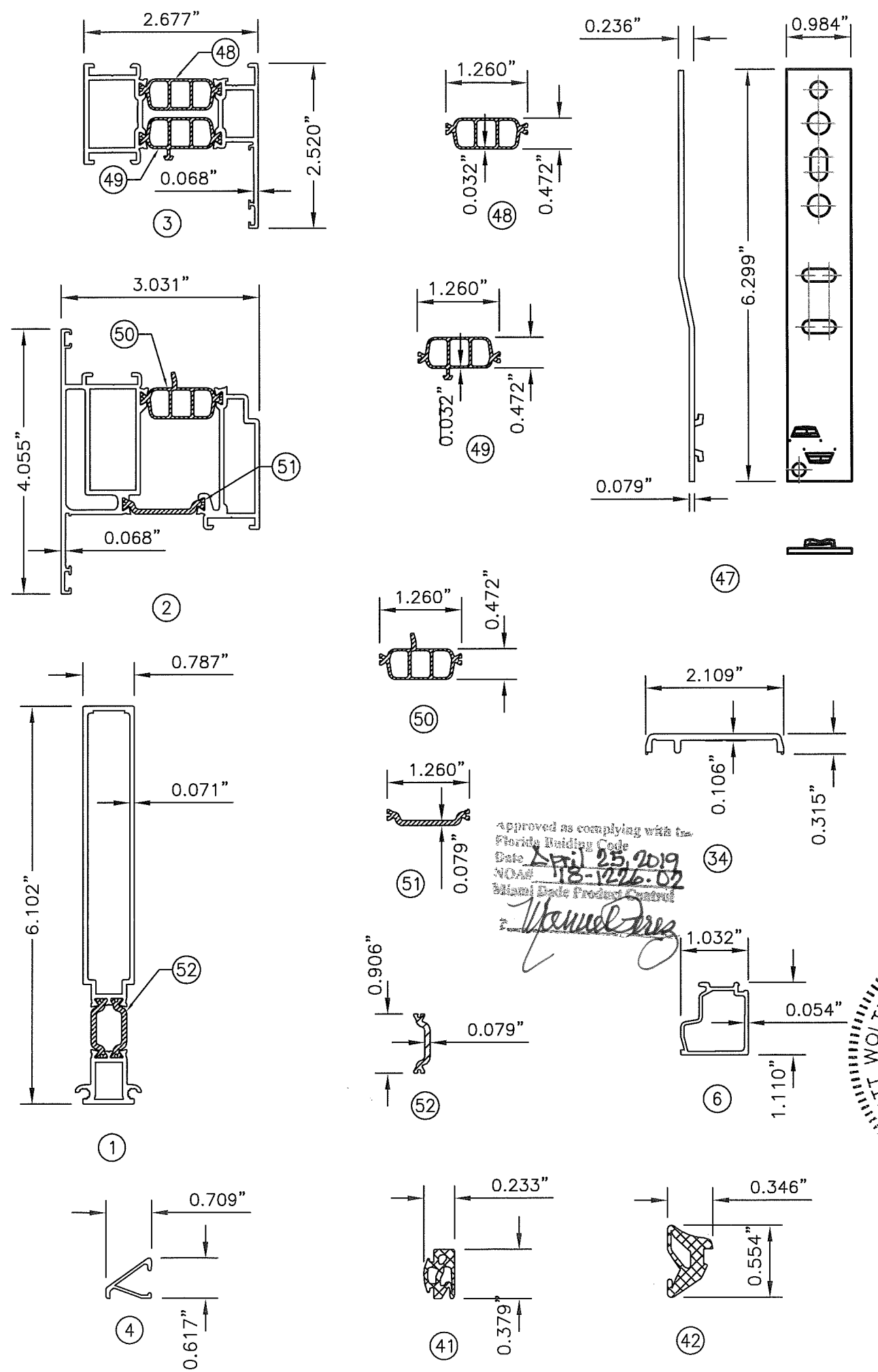
REYNAERS, INC.

21430 NORTH 15TH LANE, SUITE 111
 PHOENIX, AZ 85027
 Ph: (480) 272-9688
 www.reynaers.com

SCOTT WOLTERS
 FL PE# 62354
 WOLTERS ENGINEERING
 (CORP# 27181)
 15211 97TH ROAD, SUITE 102
 WEST PALM BEACH, FL 33411
 REGISTERED PROFESSIONAL ENGINEER
 STATE OF FLORIDA
 MAR 28 2018

DRAWING NO. CS77CASELMI
 SHEET NO. 6 OF 7

Bill of Materials					
Profiles					
ID Mark	Part Number	Description	Material	Manufacturer	Notes
1	0060371.51	Connection Profile	AW 6060 T66	Reynaers	
2	0083052.51	Window Vent Outward Opening	AW 6060 T66	Reynaers	
3	0083183.51	Outer Frame 64mm	AW 6060 T66	Reynaers	
4	0300019.51	Drip cap	AW 6060 T66	Reynaers	
5	0303649.51	Glazing Bead	AW 6060 T66	Reynaers	
6	0303647.51	Glazing Bead	AW 6060 T66	Reynaers	
Accessories and Hardware					
ID Mark	Part Number	Description	Material	Manufacturer	Notes
7	0215169.-	Screw Self-Drilling M5x11	stainless steel	Reynaers	
8	0525310.-	st-Screw din 7981 Inox 4.2x16	stainless steel	Nestinox	
9	0525327.-	Screw DIN 7982 Inox 4.2x25	stainless steel	Fabory	
10	0606007.-	Adjustment rod 400mm	PA6	Sobinco	
11	0606010.-	Adjustment rod 250mm	PA6	Sobinco	
12	0606013.-	Adjustment rod 400mm	PA6	Sobinco	
13	0606014.-	Connecting rod 365mm	PA6	Sobinco	
14	0606016.-	Connecting rod 160mm	PA6	Sobinco	
15	0606042.-	Lock Plate	zinc, stainless steel	Sobinco	
16	0606107.-	Adjustment rod 60mm	aluminum	Sobinco	
17	0606150.-	Connecting rod 110mm	PA6	Sobinco	
18	0606543	Handle		Sobinco	
19	0607161.-	Drive plate set outward opening		Sobinco	
20	0607162.-	Restrictor set outward opening		Sobinco	
21	0608746.00	Rebate Support 16.4x3.5	Zamac 5	Pedeo	
22	0609012.-	Hinge Side Tuti Left 671<fb<1300		Sobinco	
23	0609013.-	Hinge Side Tuti Right 671<fb<1300		Sobinco	
24	0609016.-	Reinforcement set Invision fg >130kg	Aluminum, stainless steel	Sobinco	
25	0609204.-	Central closure safe	zamac 5, stainless steel	Sobinco	
26	0609205.-	Central closure safe	zamac 5, stainless steel	Sobinco	
27	0609710.-	Handle side TUTI burglar protection		Sobinco	
28	0687771.00	Crimp Corner Cleats 10.3x43.8	die cast alu	Monticelli	
29	0687853.00	Crimp Corner Cleat 17.85x10.45	die cast alu	Monticelli or Fratelli	
30	0687952.00	Comer Cleat 26.05x17.4	die cast alu	Fratelli Comunello	
31	0696660.04	end Piece 030.0019.xx	PA	Stockplastics	
32	0696831.04	Weep hole cover	ASA	Custers kunststoffen or	
33	0698704.01	Glass Support	POM	Custers kunststoffen	
34	0698748.01	Glass Support	POM	Custers kunststoffen	
35		Glass Setting Block/Corner Block	Neoprene		(2)Sill, (1)ea. Jamb, (1)Head
36	0849108.-	Reynafix	synthetic rubber	Novatio	
37	0869208.SY	Reynaprotector	silicone	Weiss Chemie + Technik	
38	0849080.-	Reynaseal duo	Cosmofen duo	Weiss Chemie + Technik	
39		1/4" x 4" Steel Reinforcing	Steel (Galv. or Primer finish)		
Gaskets					
ID Mark	Part Number	Description	Material	Manufacturer	Notes
40	0808442.04	Acoustic Gasket	EPDM + cellular EPDM	Polecex	
41	8809114.04	Outer Glazing Gasket	EPDM	Polecex	
42	8809126.04	Inner Glazing Gasket	EPDM	Polecex	
43	0809381.04	Gasket 4.3mm	EPDM foam	Polecex	Install with Sealant
44	8809657.04	Central Gasket	EPDM	Polecex	
Building Connection					
ID Mark	Part Number	Description	Material	Manufacturer	Notes
45		Silicone DC 790	silicone	Dow Corning	
46		Illmod 600 15/5-10mm	PU foam	Tremco Illbruck	
47	0566016.-	Fixing lug	low carbon galvanized steel	MS Decoupe	
Thermal Breaks					
ID Mark	Part Number	Description	Material	Manufacturer	Notes
48	000.0865.04	Frame Thermal Brake	Tecatherm 66 GF	Ensinger	
49	000.0866.04	Frame Thermal Break	Tecatherm 66 GF	Ensinger	
50	000.0867.04	Sash Thermal Break	Tecatherm 66 GF	Ensinger	
51	000.0891.04	Sash Thermal Break	Tecatherm 66 GF	Ensinger	
52	000.0840.04	Mullion Thermal Break	Tecatherm 66 GF	Ensinger	



DATE: 7/30/18

REVISION DESCRIPTION

NO.

CS77 SERIES CASEMENT WINDOW

REYNAERS, INC.

21430 NORTH 15TH LANE, SUITE 111
PHOENIX, AZ 85027

Ph: (480) 272-9688
www.reynaers.com

SCOTT WOLTERS
FL PE# 62354

WOLTERS ENGINEERING
(CORP # 27184)
15211 97TH ROAD, SUITE 100
WEST PALM BEACH, FL 33411

STATE OF FLORIDA
REGISTERED PROFESSIONAL ENGINEER
MAR 28 2019

DRAWING NO. CS77CASELMI

SHEET NO. 7 OF 7