



DEPARTMENT OF REGULATORY AND ECONOMIC RESOURCES (RER)
BOARD AND CODE ADMINISTRATION DIVISION

NOTICE OF ACCEPTANCE (NOA)

MIAMI-DADE COUNTY
PRODUCT CONTROL SECTION

11805 SW 26 Street, Room 208
T (786) 315-2590 F (786) 315-2599

www.miamidade.gov/economy

WinDoor, Inc.
7500 Amsterdam Drive
Orlando, FL 32832

SCOPE:

This NOA is being issued under the applicable rules and regulations governing the use of construction materials. The documentation submitted has been reviewed and accepted by Miami-Dade County RER-Product Control Section to be used in Miami Dade County and other areas where allowed by the Authority Having Jurisdiction (AHJ).

This NOA shall not be valid after the expiration date stated below. The Miami-Dade County Product Control Section (In Miami-Dade County) and/ or the AHJ (in areas other than Miami-Dade County) reserve the right to have this product or material tested for quality assurance purposes. If this product or material fails to perform in the accepted manner, the manufacturer will incur the expense of such testing and the AHJ may immediately revoke, modify, or suspend the use of such product or material within their jurisdiction. RER reserves the right to revoke this acceptance, if it is determined by Miami-Dade County Product Control Section that this product or material fails to meet the requirements of the applicable building code.

This product is approved as described herein, and has been designed to comply with the Florida Building Code, including the High Velocity Hurricane Zone.-

DESCRIPTION: Series "3000" Aluminum Fixed Window - L.M.I.

APPROVAL DOCUMENT: Drawing No. **08-02099**, titled "3000 Aluminum Fixed Window Impact – SGP – HVHZ – Equal Leg and Flange", sheets 1 through 8 of 8, dated 06/21/13, with revision "C" dated 11/30/17, prepared by manufacturer, signed and sealed by Luis R. Lomas, P.E., bearing the Miami-Dade County Product Control Renewal stamp with the Notice of Acceptance number and expiration date by the Miami-Dade County Product Control Section.

MISSILE IMPACT RATING: Large and Small Missile Impact Resistant

LABELING: Each unit shall bear a permanent label with the manufacturer's name or logo, city, state, series, and following statement: "Miami-Dade County Product Control Approved", unless otherwise noted herein.

RENEWAL of this NOA shall be considered after a renewal application has been filed and there has been no change in the applicable building code negatively affecting the performance of this product.

TERMINATION of this NOA will occur after the expiration date or if there has been a revision or change in the materials, use, and/ or manufacture of the product or process. Misuse of this NOA as an endorsement of any product, for sales, advertising or any other purposes shall automatically terminate this NOA. Failure to comply with any section of this NOA shall be cause for termination and removal of NOA.

ADVERTISEMENT: The NOA number preceded by the words Miami-Dade County, Florida, and followed by the expiration date may be displayed in advertising literature. If any portion of the NOA is displayed, then it shall be done in its entirety.

INSPECTION: A copy of this entire NOA shall be provided to the user by the manufacturer or its distributors and shall be available for inspection at the job site at the request of the Building Official.

This NOA **renews NOA No. 17-1219.24** and consists of this page 1 and evidence pages E-1 and E-2, as well as approval document mentioned above.

The submitted documentation was reviewed by **Sifang Zhao, P.E.**



S. Z.
03/14/2019

NOA No. 19-0130.07
Expiration Date: April 03, 2024
Approval Date: March 14, 2019
Page 1

NOTICE OF ACCEPTANCE: EVIDENCE SUBMITTED

1. EVIDENCE SUBMITTED UNDER PREVIOUS NOAs

A. DRAWINGS

1. Manufacturer's die drawings and sections. *(Submitted under NOA No. 13-1121.09)*
2. Drawing No. **08-02099**, titled "3000 Aluminum Fixed Window Impact – SGP – HVHZ – Equal Leg and Flange", sheets 1 through 8 of 8, dated 06/21/13, with revision "C" dated 11/30/17, prepared by manufacturer, signed and sealed by Luis R. Lomas, P.E.

B. TESTS

1. Test reports on:
 - 1) Air Infiltration Test, per FBC, TAS 202-94
 - 2) Uniform Static Air Pressure Test, Loading per FBC, TAS 202-94
 - 3) Water Resistance Test, per FBC, TAS 202-94
 - 4) Large Missile Impact Test per FBC, TAS 201-94
 - 5) Cyclic Wind Pressure Loading per FBC, TAS 203-94
 - 6) Forced Entry Test, per FBC 2411.3.2.1, and TAS 202-94along with marked-up drawings and installation diagram of a series 3000 aluminum fixed window, prepared by National Certified Testing Laboratories, Test Report No. **NCTL-210-3862-01**, dated 04/05/13 and revised on 04/01/14, signed and sealed by Gerard J. Ferrara, P.E. *(Submitted under NOA No. 13-1121.09)*

C. CALCULATIONS

1. Anchor verification calculations and structural analysis, complying with **FBC 6th edition (2017)**, dated 11/30/17 prepared, signed and sealed by Luis R. Lomas, P.E.
2. **Glazing complies with ASTM E1300-04/09**

D. QUALITY ASSURANCE

1. Miami-Dade Department of Regulatory and Economic Resources (RER).

E. MATERIAL CERTIFICATIONS

1. NOA No. **17-0808.02** issued to **Kuraray America, Inc.** for their "**SentryGlas® (Clear and White) Glass Interlayers**" dated 12/28/17, expiring on 07/04/23.
2. 0.285-inch (Length) by 0.2598-inch (Height) by 0.0059-inch (Thickness) (7.24x6.6x0.15mm) Aluminum Low Profile Insulated-Glass spacer **Helima AH 750 N** (P/N.: USA K 001 000 000 R7) with Alloy **AW-3000** (Ftu=17 ksi and Fty=12ksi) by Helmut Lingemann GmbH & Co., KG. (Helima).

F. STATEMENTS

1. Statement letter of conformance, complying with **FBC 6th Edition (2017)**, and of no financial interest, dated 11/30/2017, issued, signed and sealed by Luis R. Lomas, P.E



Sifang Zhao, P. E.
Product Control Examiner
NOA No. 19-0130.07
Expiration Date: April 03, 2024
Approval Date: March 14, 2019

NOTICE OF ACCEPTANCE: EVIDENCE SUBMITTED

F. STATEMENTS (CONTINUED)

2. Laboratory compliance letter for Test Report No. **NCTL-210-3862-01**, issued by National Certified Testing Laboratories, dated 04/05/13, signed and sealed by Gerald J. Ferrara, P. E. *(Submitted under NOA No. 13-1121.09)*

G. OTHERS

1. Notice of Acceptance No. **15-0723.16**, issued to WinDoor, Inc. for their Series "3000" Aluminum Fixed Window - L.M.I. approved on 07/14/16 and expiring on 04/03/19.

2. NEW EVIDENCE SUBMITTED

A. DRAWINGS

1. None.

B. TESTS

1. None

C. CALCULATIONS

1. None.

D. QUALITY ASSURANCE

1. Miami-Dade Department of Regulatory and Economic Resources (RER).

E. MATERIAL CERTIFICATIONS

1. None.

F. STATEMENTS

1. Statement letter of conformance, complying with **FBC 6th Edition (2017)**, and of no financial interest, dated 01/23/2019, issued, signed and sealed by Anthony Lynn Miller, P.E.

G. OTHERS

1. Notice of Acceptance No. **17-1219.24**, issued to WinDoor, Inc. for their Series "3000" Aluminum Fixed Window - L.M.I. approved on 03/08/2018 and expiring on 04/03/19.



Sifang Zhao, P. E.

Product Control Examiner

NOA No. 19-0130.07

Expiration Date: April 03, 2024

Approval Date: March 14, 2019

REVISIONS			
REV	DESCRIPTION	DATE	APPROVED
C	REVISED PER NEW REQUIREMENTS	11/30/17	R.L.

NOTES:

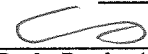
1. THE PRODUCT SHOWN HEREIN IS DESIGNED AND MANUFACTURED TO COMPLY WITH REQUIREMENTS OF THE FLORIDA BUILDING CODE 6th. EDITION (2017) INCLUDING THE HVHZ.
2. WOOD FRAMING AND MASONRY OPENING TO BE DESIGNED AND ANCHORED TO PROPERLY TRANSFER ALL LOADS TO STRUCTURE. FRAMING AND MASONRY OPENING IS THE RESPONSIBILITY OF THE ARCHITECT OR ENGINEER OF RECORD.
3. 1X BUCK OVER MASONRY/CONCRETE IS OPTIONAL. WHERE 1X BUCK IS NOT USED DISSIMILAR MATERIALS MUST BE SEPARATED WITH APPROVED COATING OR MEMBRANE. SELECTION OF COATING OR MEMBRANE IS THE RESPONSIBILITY OF THE ARCHITECT OR ENGINEER OF RECORD.
4. ALLOWABLE STRESS INCREASE OF 1/3 WAS NOT USED IN THE DESIGN OF THE PRODUCT SHOWN HEREIN. WIND LOAD DURATION FACTOR Cd=1.6 WAS USED FOR WOOD ANCHOR CALCULATIONS.
5. FRAME MATERIAL: ALUMINUM 6063-T6
6. UNITS MUST BE GLAZED PER ASTM E1300-04/09, SEE SHEET 3 FOR GLASS DETAILS.
7. APPROVED IMPACT PROTECTIVE SYSTEM IS NOT REQUIRED FOR THIS PRODUCT IN WIND BORNE DEBRIS REGIONS.
8. SHIM AS REQUIRED AT EACH INSTALLATION ANCHOR WITH LOAD BEARING SHIM. SHIM WHERE SPACE OF 1/16" OR GREATER OCCURS. MAXIMUM ALLOWABLE SHIM STACK TO BE 1/4".
9. FOR ANCHORING INTO WOOD FRAMING OR 2X BUCK USE #14 CUT-THREAD WOOD SCREWS WITH SUFFICIENT LENGTH TO ACHIEVE A 1 7/16" MINIMUM EMBEDMENT INTO SUBSTRATE WITH 1" MINIMUM EDGE DISTANCE. LOCATE ANCHORS AS SHOWN IN ELEVATIONS AND INSTALLATION DETAILS.
10. FOR ANCHORING INTO MASONRY/CONCRETE USE 1/4" ELCO CRETE-FLEX SS4 WITH SUFFICIENT LENGTH TO ACHIEVE A 1 1/4" MINIMUM EMBEDMENT INTO SUBSTRATE WITH 2 1/2" MINIMUM EDGE DISTANCE. LOCATE ANCHORS AS SHOWN IN ELEVATIONS AND INSTALLATION DETAILS.
11. FOR ANCHORING INTO METAL STRUCTURE USE #14 SMS OR SELF DRILLING SCREWS WITH SUFFICIENT LENGTH TO ACHIEVE 3 THREADS MINIMUM BEYOND STRUCTURE INTERIOR WALL WITH 1" MINIMUM EDGE DISTANCE. LOCATE ANCHORS AS SHOWN IN ELEVATIONS AND INSTALLATION DETAILS.
12. ALL FASTENERS TO BE CORROSION RESISTANT.
13. INSTALLATION ANCHORS SHALL BE INSTALLED IN ACCORDANCE WITH ANCHOR MANUFACTURER'S INSTALLATION INSTRUCTIONS AND ANCHORS SHALL NOT BE USED IN SUBSTRATES WITH STRENGTHS LESS THAN THE MINIMUM STRENGTH SPECIFIED BELOW:
 - A. WOOD - MINIMUM SPECIFIC GRAVITY OF G=0.42
 - B. CONCRETE - MINIMUM COMPRESSIVE STRENGTH OF 3,192 PSI.
 - C. MASONRY - STRENGTH CONFORMANCE TO ASTM C-90, NORMAL WEIGHT WITH 2 KSI STRENGTH.
 - D. METAL STRUCTURE: STEEL 16GA, 33KSI OR ALUMINUM 6063-T5 1/8" THICK MINIMUM

SIGNED: 02/19/2018

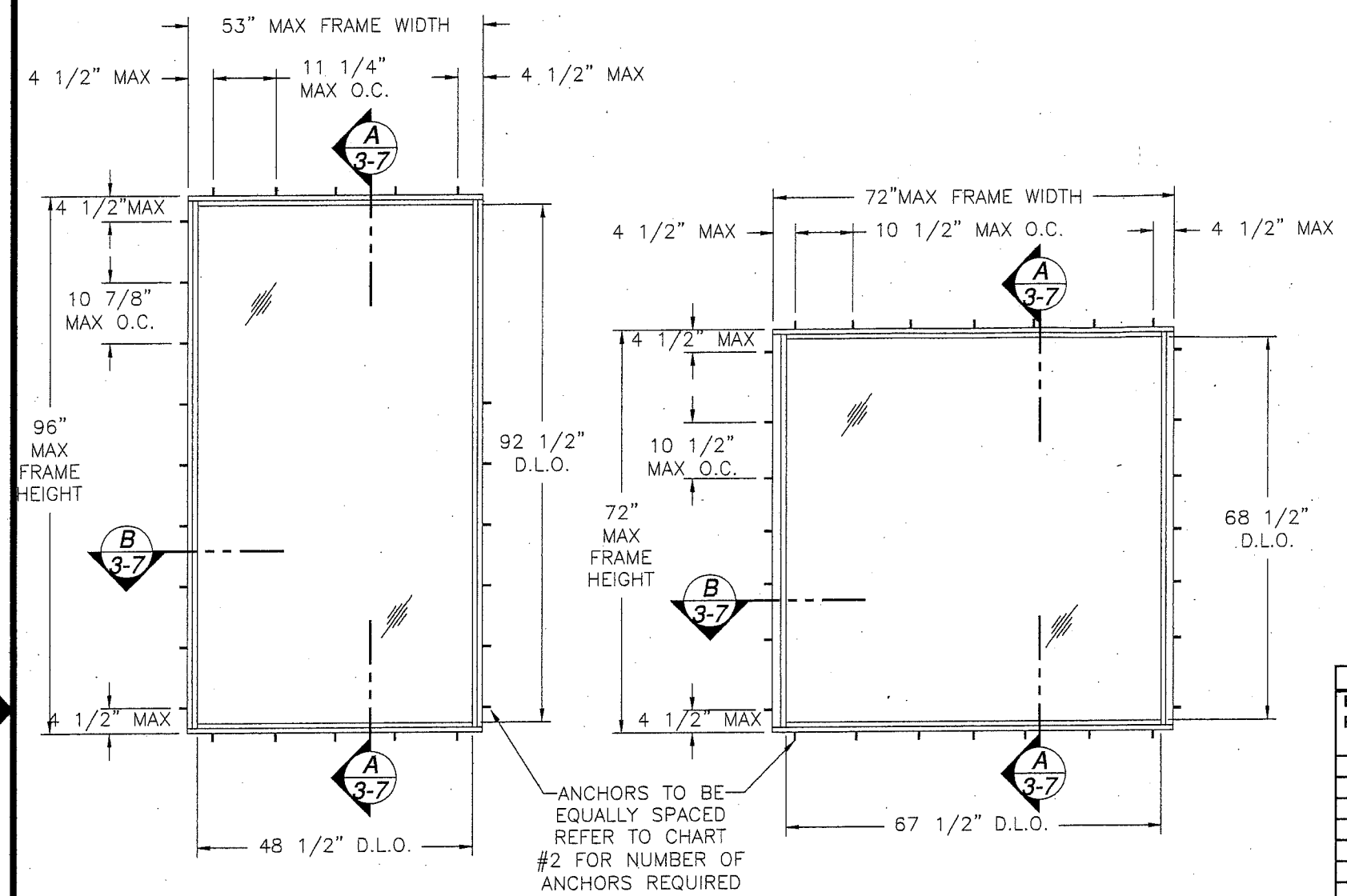
TABLE OF CONTENTS	
SHEET NO.	DESCRIPTION
1	NOTES
2	ELEVATIONS AND ANCHORING
3	B.O.M., CROSS SECTIONS & GLAZING DETAILS
4 - 7	INSTALLATION DETAILS
8	COMPONENTS

WinDoor INCORPORATED 7500 AMSTERDAM DRIVE ORLANDO, FL 32832 Phone: 407.481.8400 Fax: 407.481.0505 www.windoorinc.com	3000 ALUMINUM FIXED WINDOW IMPACT SGP - HVHZ - EQUAL LEG AND FLANGE NOTES	
	DRAWN: V.L.	DWG NO. 08-02099
SCALE NTS	DATE 06/21/2013	SHEET 1 OF 8

LUIS R. LOMAS
 LICENSE
 No. 62514
 STATE OF
 FLORIDA
 PROFESSIONAL ENGINEER

PRODUCT RENEWED
 as complying with the Florida
 Building Code
 NOA-No. **19-0130.07**
 Expiration Date **04/03/2024**
 By 
 Miami-Dade Product Control

REVISIONS			
REV	DESCRIPTION	DATE	APPROVED
C	REVISED PER NEW REQUIREMENTS	11/30/17	R.L.



ANCHORS TO BE EQUALLY SPACED REFER TO CHART #2 FOR NUMBER OF ANCHORS REQUIRED

3000 ALUMINUM FIXED WINDOW
EXTERIOR VIEW

DESIGN PRESSURE RATING	IMPACT RATING
±110.0PSF	LARGE AND SMALL MISSILE IMPACT

MISSILE LEVEL D, WIND ZONE 4 AND HVHZ
REFER TO CHART #1 FOR ADDITIONAL UNIT RATINGS

3000 ALUMINUM FIXED WINDOW
EXTERIOR VIEW

DESIGN PRESSURE RATING	IMPACT RATING
±120.0PSF	LARGE AND SMALL MISSILE IMPACT

MISSILE LEVEL D, WIND ZONE 4 AND HVHZ
REFER TO CHART #1 FOR ADDITIONAL UNIT RATINGS

CHART #1

Frame Height (in)	Design pressure rating (psf)															
	Frame width (in)															
	30.0		36.0		42.0		48.0		53.0		60.0		66.0		72.0	
	Pos	Neg	Pos	Neg	Pos	Neg	Pos	Neg	Pos	Neg	Pos	Neg	Pos	Neg	Pos	Neg
30.0	120.0	139.6	120.0	138.0	120.0	135.8	120.0	134.7	120.0	133.3	120.0	131.4	120.0	129.7	120.0	128.1
36.0	120.0	138.0	120.0	137.8	120.0	135.8	120.0	133.9	120.0	132.2	120.0	129.9	120.0	127.9	120.0	125.9
42.0	120.0	136.3	120.0	135.8	120.0	135.7	120.0	133.4	120.0	131.4	120.0	128.7	120.0	126.4	120.0	124.1
48.0	120.0	134.7	120.0	133.9	120.0	133.4	120.0	133.2	120.0	131.0	120.0	127.9	120.0	125.3	120.0	122.6
54.0	120.0	133.0	120.0	131.9	120.0	131.0	120.0	130.6	120.0	130.4	120.0	127.4	120.0	124.5	120.0	121.5
60.0	120.0	131.4	120.0	129.9	120.0	128.7	120.0	127.9	120.0	127.5	120.0	127.3	120.0	124.0	120.0	120.7
66.0	120.0	129.7	120.0	127.9	120.0	126.4	120.0	125.3	120.0	124.6	120.0	124.0	120.0	123.8	120.0	120.2
72.0	120.0	128.1	120.0	125.9	120.0	124.1	120.0	122.6	120.0	121.7	120.0	120.7	120.0	120.2	120.0	120.0
78.0	110.0	126.4	110.0	124.0	110.0	121.8	110.0	120.0	110.0	118.7	110.0	117.4	110.0	116.5	-	-
84.0	110.0	124.8	110.0	122.0	110.0	119.5	110.0	117.4	110.0	115.8	110.0	114.1	-	-	-	-
90.0	110.0	123.1	110.0	120.0	110.0	117.2	110.0	114.7	110.0	112.9	-	-	-	-	-	-
96.0	110.0	121.5	110.0	118.0	110.0	114.9	110.0	112.1	110.0	110.0	-	-	-	-	-	-
102.0	110.0	119.8	110.0	116.0	110.0	112.6	109.4	109.4	-	-	-	-	-	-	-	-
108.0	110.0	118.2	110.0	114.1	110.0	110.3	106.8	106.8	-	-	-	-	-	-	-	-
114.0	110.0	116.5	110.0	112.1	110.0	108.0	-	-	-	-	-	-	-	-	-	-
120.0	110.0	114.9	110.0	110.1	105.7	105.7	-	-	-	-	-	-	-	-	-	-

CHART #2

Frame Height (in)	Number of anchors required															
	Frame width (in)															
	30.0		36.0		42.0		48.0		53.0		60.0		66.0		72.0	
	H&S	Jamb	H&S	Jamb	H&S	Jamb	H&S	Jamb	H&S	Jamb	H&S	Jamb	H&S	Jamb	H&S	Jamb
30.0	3	3	4	3	4	3	5	3	5	3	6	3	7	3	7	3
36.0	3	4	4	4	4	4	5	4	5	4	6	4	7	4	7	4
42.0	3	5	4	5	4	5	5	5	5	5	6	5	7	5	7	5
48.0	3	5	4	5	4	5	5	5	5	5	6	5	7	5	8	5
54.0	3	6	4	6	4	6	5	6	5	6	6	6	7	6	8	6
60.0	3	6	4	6	4	6	5	6	5	6	6	6	7	6	8	6
66.0	3	7	4	7	4	7	5	7	5	7	6	7	7	7	8	7
72.0	3	7	4	7	4	7	5	8	5	8	6	8	7	8	8	8
78.0	3	8	4	8	4	8	5	8	5	9	6	9	7	9	-	-
84.0	3	9	4	9	4	9	5	9	5	10	6	10	-	-	-	-
90.0	3	9	4	9	4	9	5	10	5	10	-	-	-	-	-	-
96.0	3	10	4	10	4	10	5	10	5	11	-	-	-	-	-	-
102.0	3	10	4	10	4	10	5	11	-	-	-	-	-	-	-	-
108.0	3	11	4	11	4	11	5	12	-	-	-	-	-	-	-	-
114.0	3	11	4	11	4	11	-	-	-	-	-	-	-	-	-	-
120.0	3	12	4	12	4	12	-	-	-	-	-	-	-	-	-	-

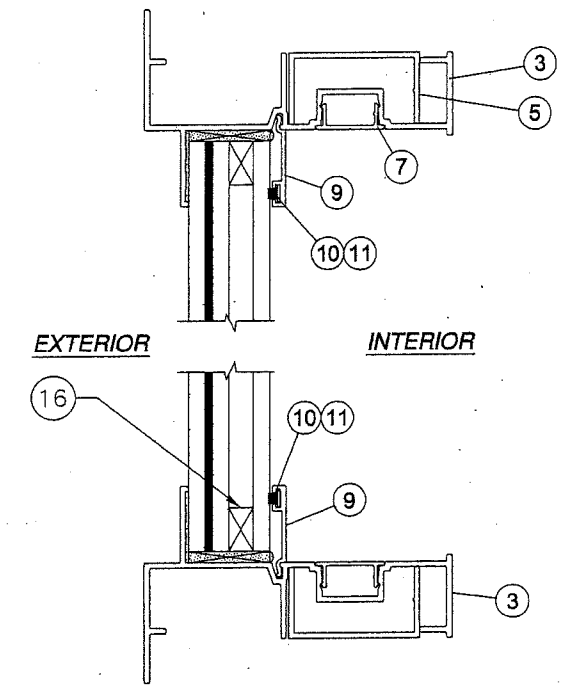
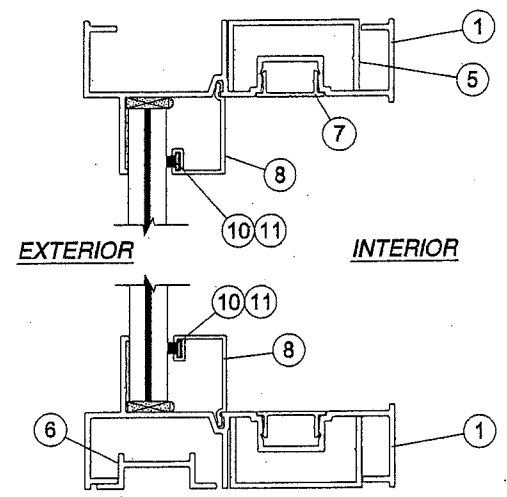
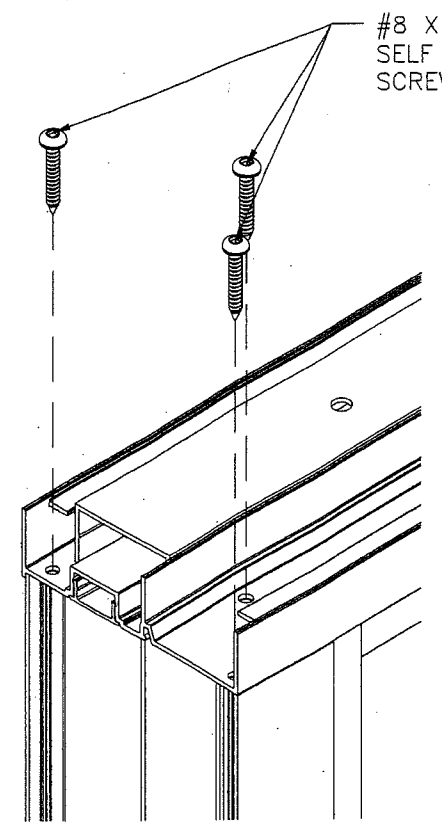
SIGNED: 02/19/2018

PRODUCT RENEWED as complying with the Florida Building Code NOA-No. 19-0130.07 Expiration Date 04/03/2024 By Miami-Dade Product Control	WinDoor INCORPORATED 7500 AMSTERDAM DRIVE ORLANDO, FL 32832 Phone: 407.481.8400 Fax: 407.481.0505 www.windowinc.com		
	3000 ALUMINUM FIXED WINDOW IMPACT SGP - HVHZ - EQUAL LEG AND FLANGE ELEVATIONS AND ANCHORING		
	DRAWN: V.L. SCALE NTS		DWG NO. 08-02099 DATE 06/21/2013

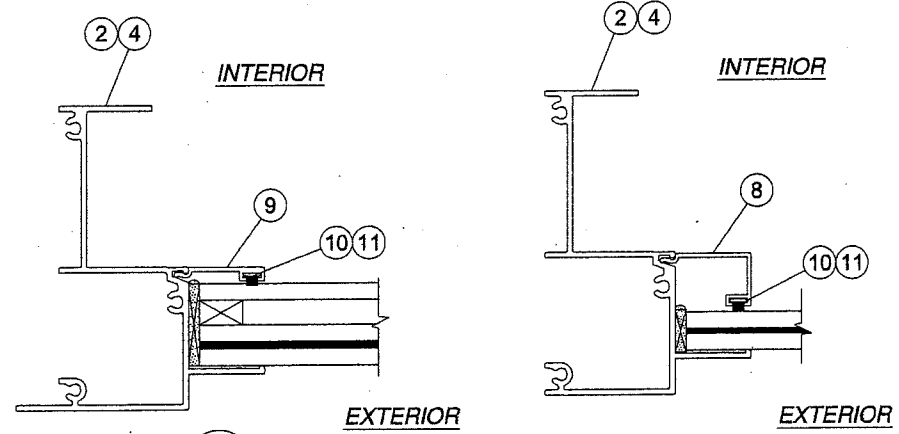
BILL OF MATERIALS				
ITEM NO.:	PART NUMBER	DESCRIPTION	MANUFACTURER	MATERIAL
1	FS-07419	FRAME HEAD AND SILL EQUAL LEG	KEYMARK	ALUMINUM 6063-T6
2	FS-06614	FRAME JAMB EQUAL LEG	KEYMARK	ALUMINUM 6063-T6
3	FS-07418	FRAME HEAD AND SILL FLANGE	KEYMARK	ALUMINUM 6063-T6
4	FS-06663	FRAME JAMB FLANGE	KEYMARK	ALUMINUM 6063-T6
5	FS-06671	HEAD FILLER	KEYMARK	ALUMINUM 6063-T6
6	FS-5910	SILL RETAINER	KEYMARK	ALUMINUM 6063-T6
7	FS-04501	JAMB TRACK RECESSED COVER	KEYMARK	ALUMINUM 6063-T6
8	FS-07175	9/16" GLASS STOP	KEYMARK	ALUMINUM 6063-T6
9	FS-07353	1" GLASS STOP	KEYMARK	ALUMINUM 6063-T6
10	4000SH-BL-TP1152	GLASS VINYL	TEAM PLASTICS	
11	4000SH-BL-TP1104	GLASS VINYL		
12	FS-04501	COVER FOR INSTALLATION CREWS		
13	121104	GLAS SHIM 85 DUROMETER	FRANK LOWE	
14	SIKA 552	URETHANE SEALANT	SIKA	
15	DOW 995	SILICONE	DOW CORNING	
16	TP990	SPACER SYSTEM (SEE NOTE BELOW)	HELIMA	ALUMINUM AW 3000

SPACER MATERIAL: TENSILE ULTIMATE STRENGTH: FTU= 17 KSI.
TENSILE YIELD STRENGTH: FTY= 12 KSI.

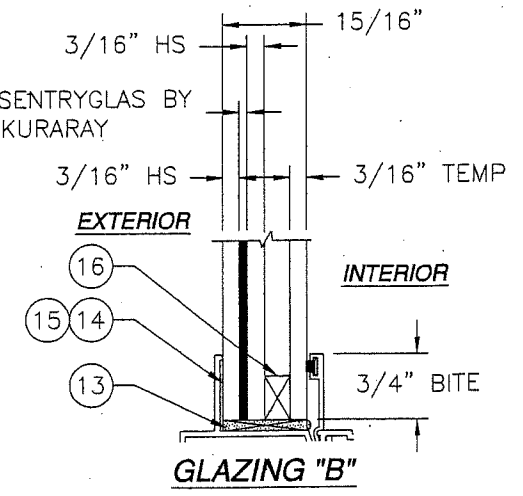
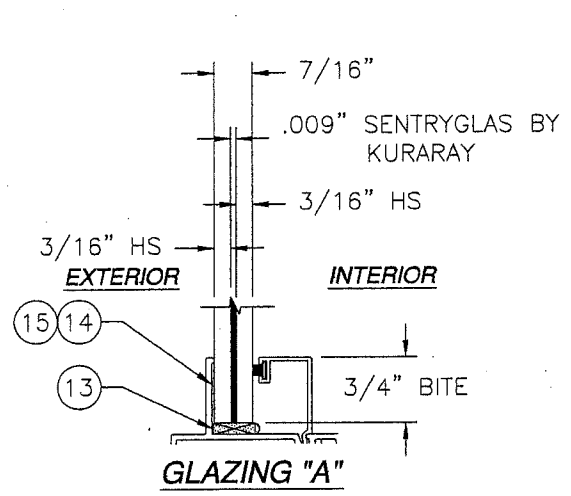
REVISIONS			
REV	DESCRIPTION	DATE	APPROVED
C	REVISED PER NEW REQUIREMENTS	11/30/17	R.L.



A
3 VERTICAL CROSS SECTION



B
3 HORIZONTAL CROSS SECTION



PRODUCT RENEWED
as complying with the Florida Building Code
NOA-No. **19-0130.07**
Expiration Date **04/03/2024**
By *[Signature]*
Miami-Dade Product Control

WinDoor INCORPORATED 7500 AMSTERDAM DRIVE
ORLANDO, FL 32832
Phone: 407.481.8400 Fax: 407.481.0505 www.windoorinc.com

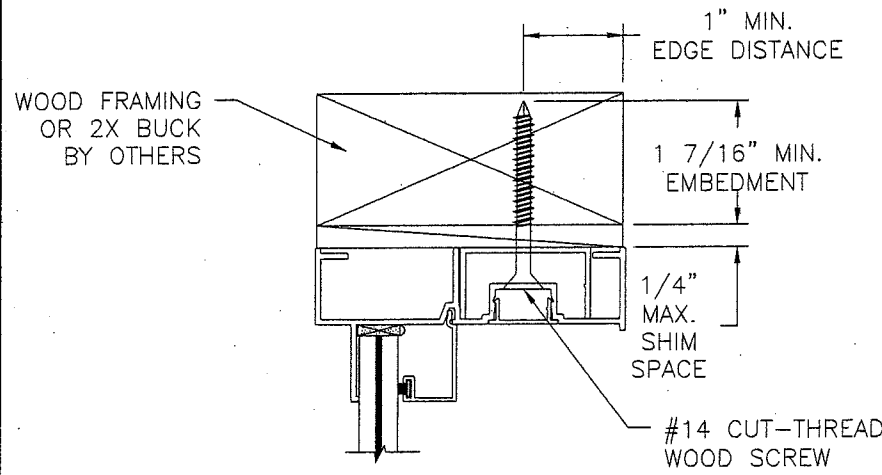
3000 ALUMINUM FIXED WINDOW IMPACT
SGP - HVHZ - EQUAL LEG AND FLANGE
B.O.M., CROSS SECTIONS & GLAZING DETAILS

DRAWN: V.L. DWG NO. 08-02099 REV C
SCALE NTS DATE 06/21/2013 SHEET 3 OF 8

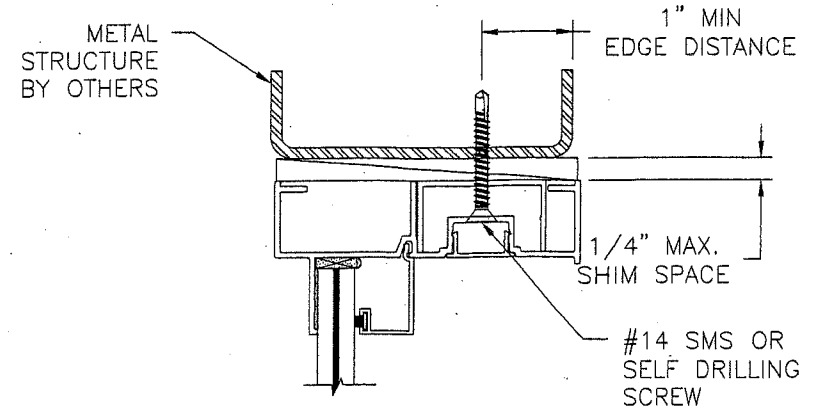
SIGNED: 02/19/2018

LUIS R. LOMAS
LICENSE
No. 62514
[Signature]
STATE OF FLORIDA
PROFESSIONAL ENGINEER

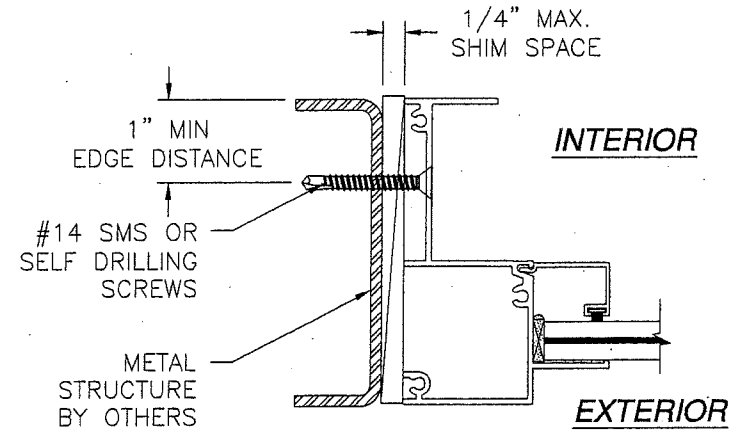
REVISIONS			
REV	DESCRIPTION	DATE	APPROVED
C	REVISED PER NEW REQUIREMENTS	11/30/17	R.L.



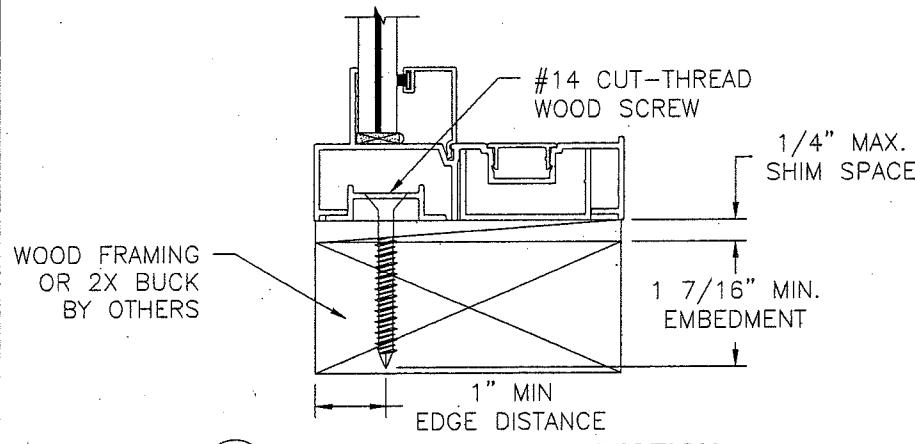
EXTERIOR **INTERIOR**



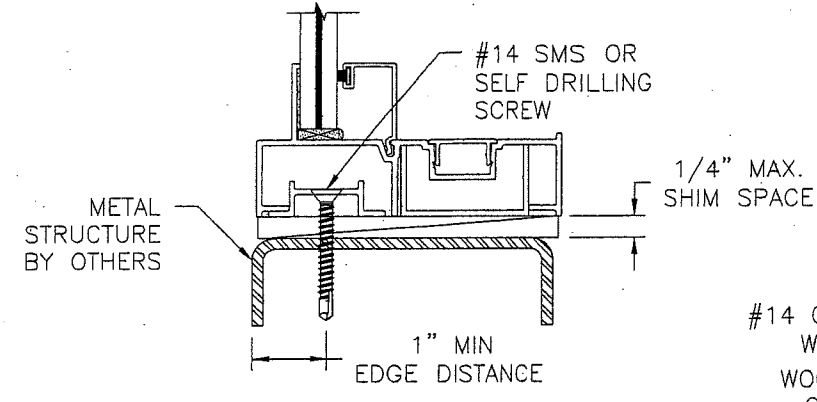
EXTERIOR **INTERIOR**



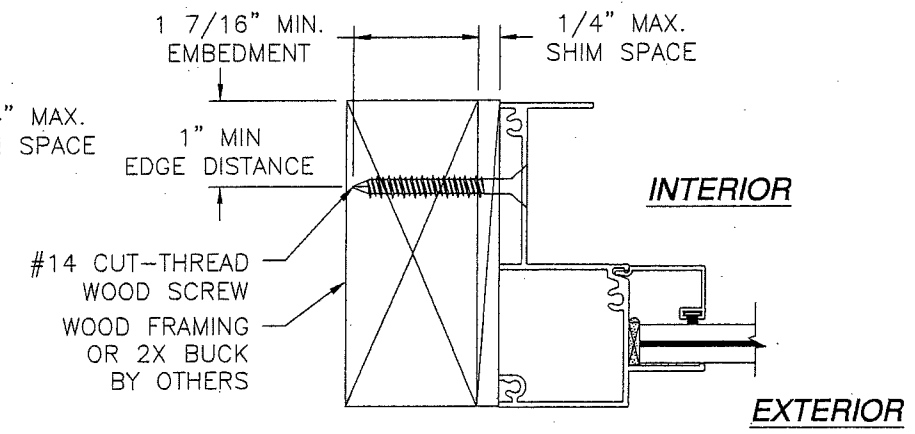
(B)
4 **JAMB INSTALLATION DETAIL**
METAL STRUCTURE INSTALLATION



(A)
4 **VERTICAL CROSS SECTION**
WOOD FRAMING OR 2X BUCK INSTALLATION



(A)
4 **VERTICAL CROSS SECTION**
METAL STRUCTURE INSTALLATION

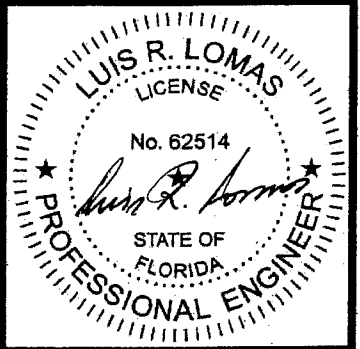


(B)
4 **JAMB INSTALLATION DETAIL**
WOOD FRAMING OR 2X BUCK INSTALLATION

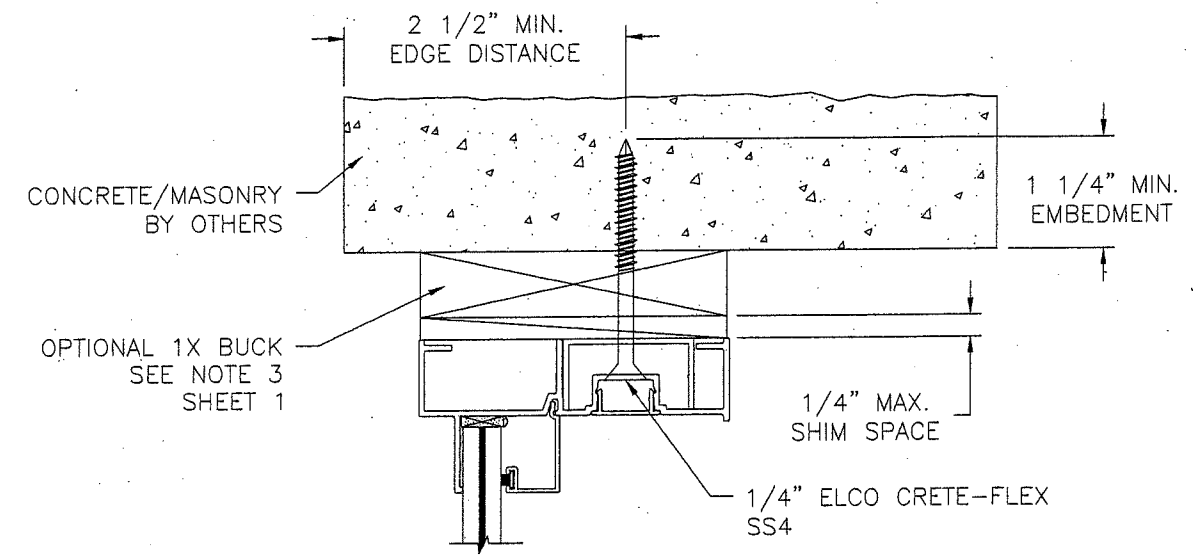
NOTE:
1. INTERIOR AND EXTERIOR FINISHES, BY OTHERS, NOT SHOWN FOR CLARITY.
2. PERIMETER AND JOINT SEALANT BY OTHERS TO BE DESIGNED IN ACCORDANCE WITH ASTM E2112

SIGNED: 02/19/2018

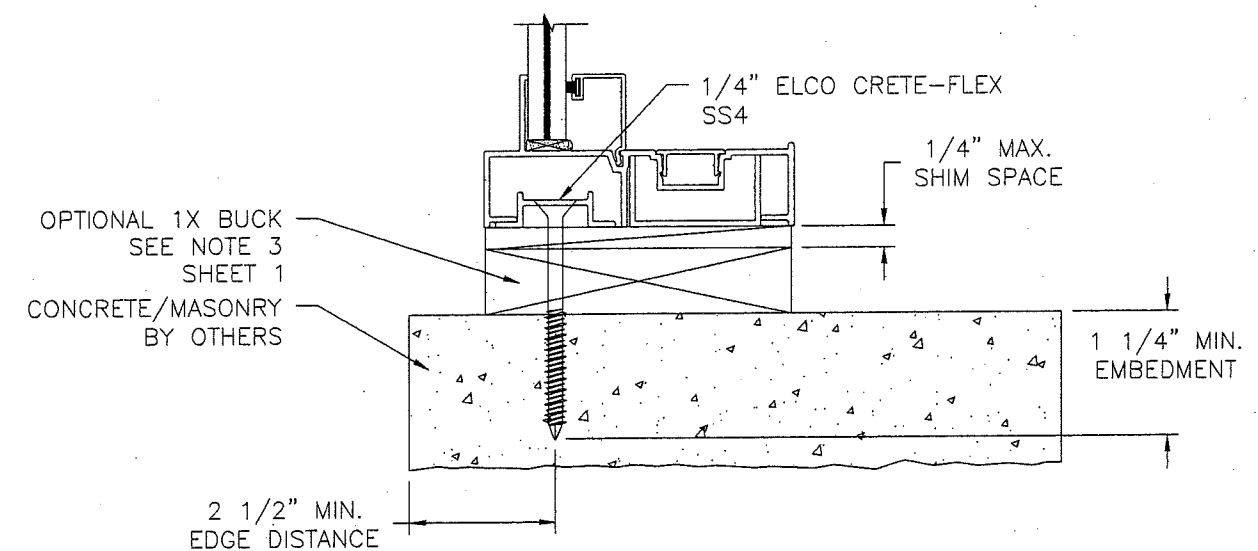
PRODUCT RENEWED as complying with the Florida Building Code NOA-No. 19-0130.07 Expiration Date 04/03/2024 By <i>[Signature]</i> Miami-Dade Product Control	WinDoor INCORPORATED 7500 AMSTERDAM DRIVE ORLANDO, FL 32832 Phone: 407.481.8400 Fax: 407.481.0505 www.windoorinc.com	
	3000 ALUMINUM FIXED WINDOW IMPACT SGP - HVHZ - EQUAL LEG AND FLANGE EQUAL LEG INSTALLATION DETAILS	
DRAWN: V.L.	DWG NO. 08-02099	REV C
SCALE NTS	DATE 06/21/2013	SHEET 4 OF 8



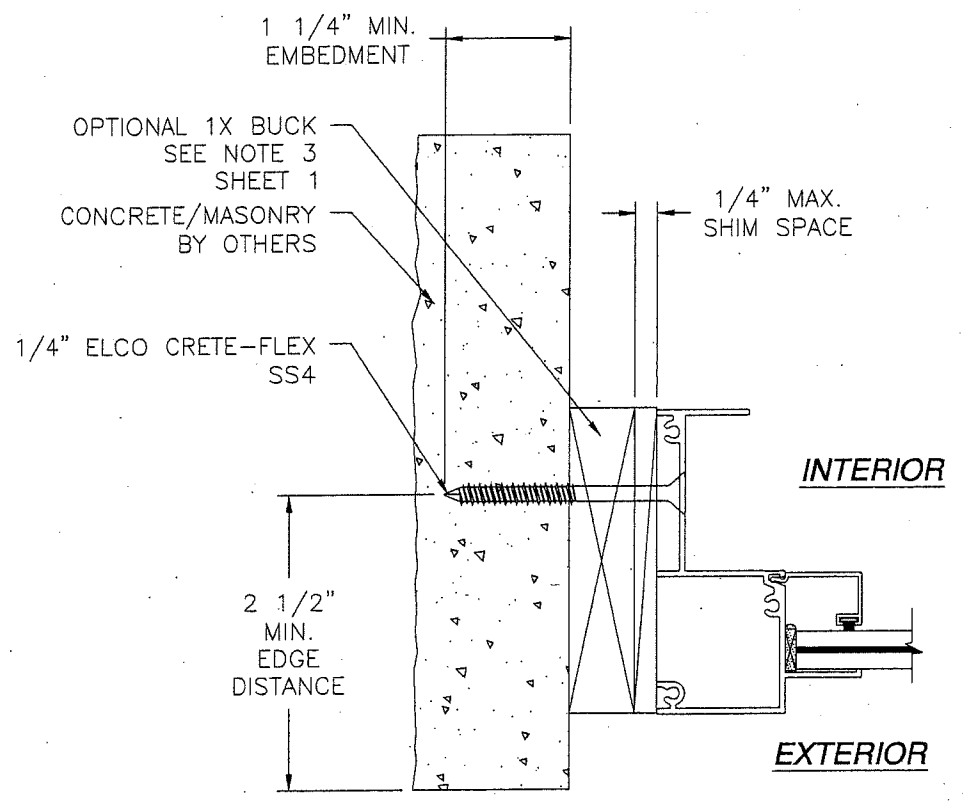
REVISIONS			
REV	DESCRIPTION	DATE	APPROVED
C	REVISED PER NEW REQUIREMENTS	11/30/17	R.L.



EXTERIOR INTERIOR



A
5 VERTICAL CROSS SECTION
CONCRETE/MASONRY INSTALLATION



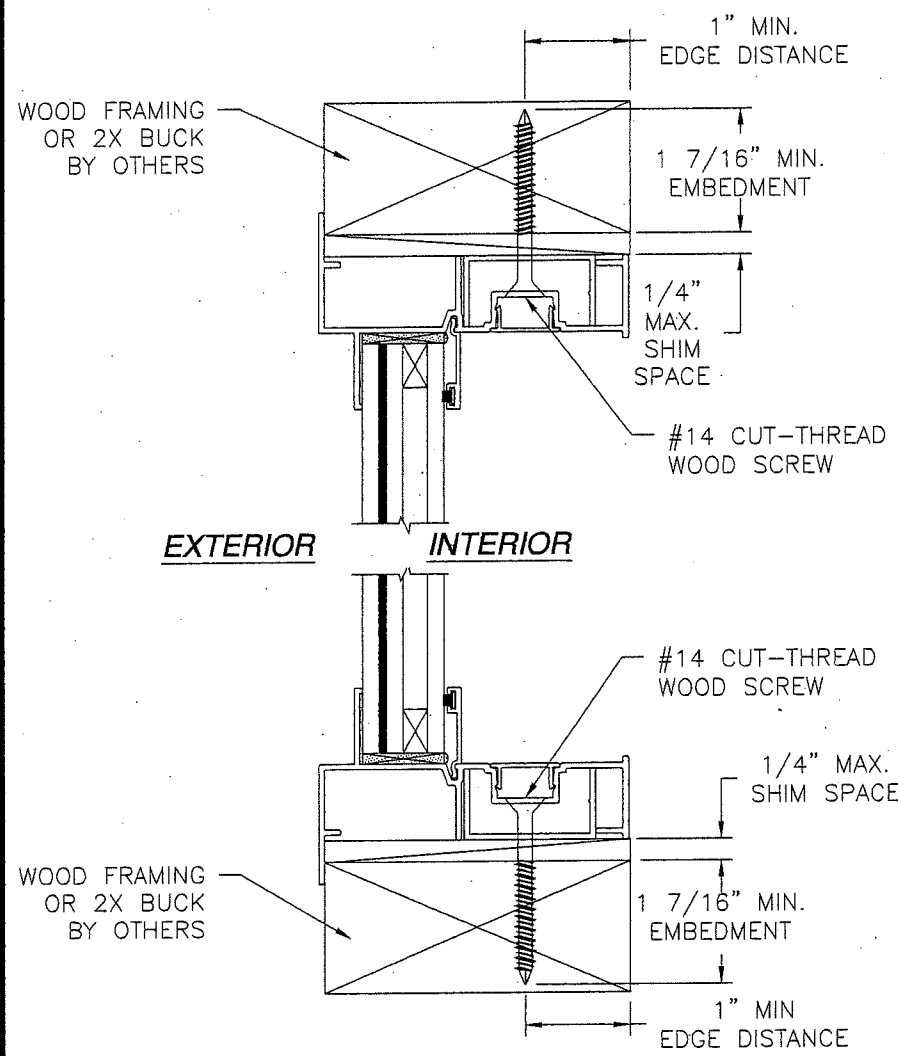
B
5 JAMB INSTALLATION DETAIL
CONCRETE/MASONRY INSTALLATION

NOTE:
1. INTERIOR AND EXTERIOR FINISHES, BY OTHERS, NOT SHOWN FOR CLARITY.
2. PERIMETER AND JOINT SEALANT BY OTHERS TO BE DESIGNED IN ACCORDANCE WITH ASTM E2112

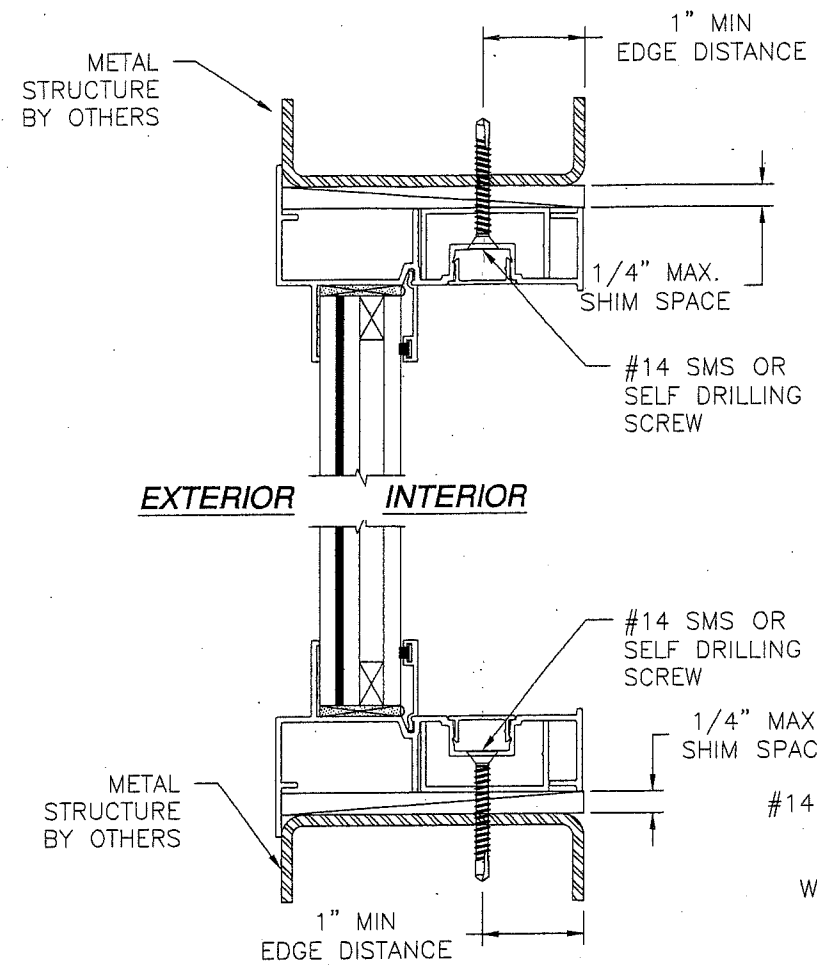
SIGNED: 02/19/2018

PRODUCT RENEWED as complying with the Florida Building Code NOA-No. 19-0130.07 Expiration Date 04/03/2024 By <i>[Signature]</i> Miami-Dade Product Control	WinDoor INCORPORATED 7500 AMSTERDAM DRIVE ORLANDO, FL 32832 Phone: 407.481.8400 Fax: 407.481.0505 www.windoorinc.com	
	3000 ALUMINUM FIXED WINDOW IMPACT SGP - HVHZ - EQUAL LEG AND FLANGE EQUAL LEG INSTALLATION DETAILS	
DRAWN: V.L.	DWG NO. 08-02099	REV C
SCALE NTS	DATE 06/21/2013	SHEET 5 OF 8

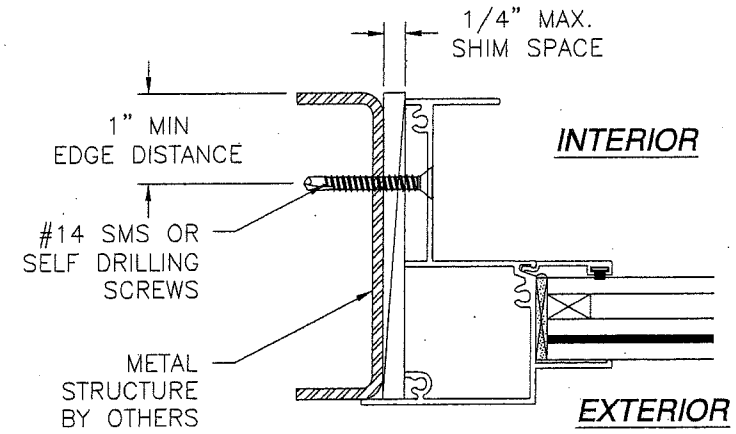
REVISIONS			
REV	DESCRIPTION	DATE	APPROVED
C	REVISED PER NEW REQUIREMENTS	11/30/17	R.L.



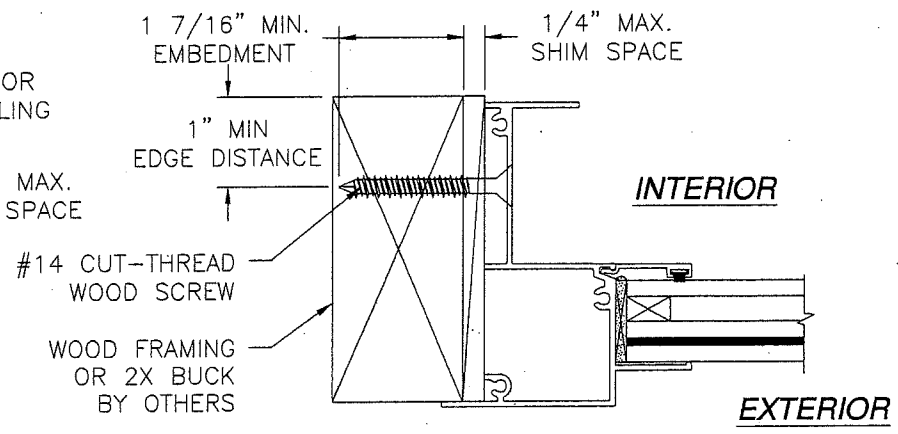
A
6 VERTICAL CROSS SECTION
WOOD FRAMING OR 2X BUCK INSTALLATION



A
6 VERTICAL CROSS SECTION
METAL STRUCTURE INSTALLATION



B
6 JAMB INSTALLATION DETAIL
METAL STRUCTURE INSTALLATION



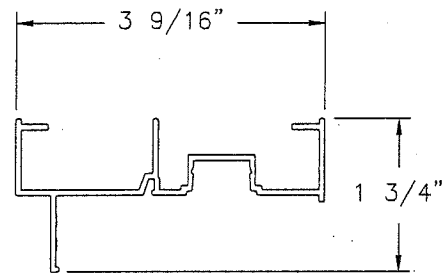
B
6 JAMB INSTALLATION DETAIL
WOOD FRAMING OR 2X BUCK INSTALLATION

NOTE:
1. INTERIOR AND EXTERIOR FINISHES, BY OTHERS, NOT SHOWN FOR CLARITY.
2. PERIMETER AND JOINT SEALANT BY OTHERS TO BE DESIGNED IN ACCORDANCE WITH ASTM E2112

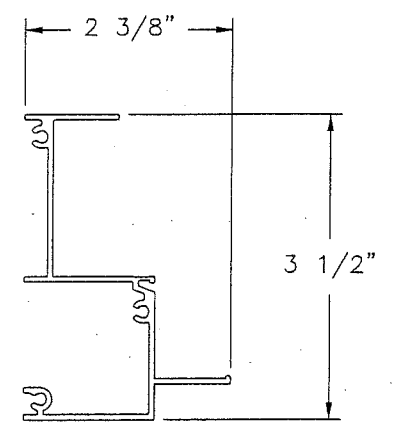
SIGNED: 02/19/2018

PRODUCT RENEWED as complying with the Florida Building Code NOA-No. 19-0130.07 Expiration Date 04/03/2024 By <i>[Signature]</i> Miami-Dade Product Control	WinDoor INCORPORATED 7500 AMSTERDAM DRIVE ORLANDO, FL 32832 Phone: 407.481.8400 Fax: 407.481.0505 www.windowinc.com	
	3000 ALUMINUM FIXED WINDOW IMPACT SGP - HVHZ - EQUAL LEG AND FLANGE FLANGE INSTALLATION DETAILS	
DRAWN: V.L.	DWG NO. 08-02099	REV C
SCALE NTS	DATE 06/21/2013	SHEET 6 OF 8

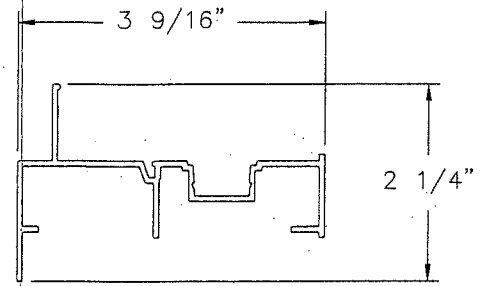
REVISIONS			
REV	DESCRIPTION	DATE	APPROVED
C	REVISED PER NEW REQUIREMENTS	11/30/17	R.L.



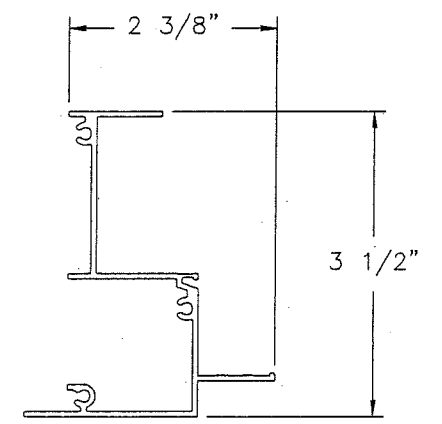
① **FRAME W/ CHANNEL**
ALUMINUM 6063-T6 .063 THICK



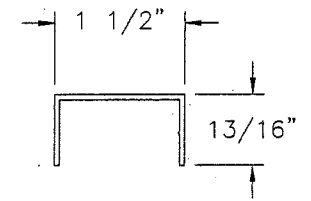
② **FRAME JAMB**
ALUMINUM 6063-T6 .063 THICK



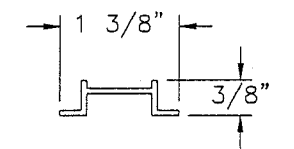
③ **FRAME W/ CHANNEL**
ALUMINUM 6063-T6 .063 THICK



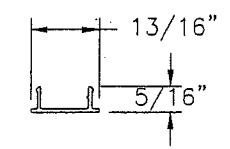
④ **FRAME JAMB**
ALUMINUM 6063-T6 .063 THICK



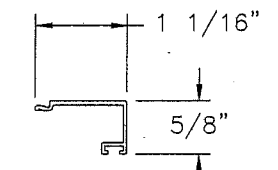
⑤ **HEAD FILLER**
ALUMINUM 6063-T6 .063 THICK



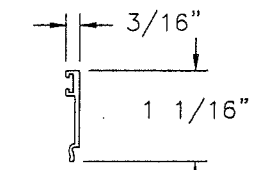
⑥ **SILL RETAINER**
ALUMINUM 6063-T6 .063 THICK



⑦ **JAMB TRACK RECESSED COVER**
ALUMINUM 6063-T6 .045 THICK



⑧ **GLAZING STOP**
ALUMINUM 6063-T6 .063 THICK



⑨ **GLAZING STOP**
ALUMINUM 6063-T6 .063 THICK

SIGNED: 02/19/2018

PRODUCT RENEWED as complying with the Florida Building Code NOA-No. <u>19-0130.07</u> Expiration Date <u>04/03/2024</u> By <u>[Signature]</u> Miami-Dade Product Control	WinDoor INCORPORATED 7500 AMSTERDAM DRIVE ORLANDO, FL 32832 Phone: 407.481.8400 Fax: 407.481.0505 www.windoorinc.com		
	3000 ALUMINUM FIXED WINDOW IMPACT SGP - HVHZ - EQUAL LEG AND FLANGE COMPONENTS		
	DRAWN: V.L.		DWG NO. 08-02099
SCALE NTS	DATE 06/21/2013	SHEET 8 OF 8	