



DEPARTMENT OF REGULATORY AND ECONOMIC RESOURCES (RER)
BOARD AND CODE ADMINISTRATION DIVISION

NOTICE OF ACCEPTANCE (NOA)

MIAMI-DADE COUNTY, FLORIDA
PRODUCT CONTROL SECTION

11805 SW 26 Street, Room 208
T (786) 315-2590 F (786) 315-2599

www.miamidade.gov/economy

**Windoor Inc.,
7500 Amsterdam Drive,
Orlando, Fl. 32832**

SCOPE:

This NOA is being issued under the applicable rules and regulations governing the use of construction materials. The documentation submitted has been reviewed and accepted by Miami-Dade County RER-Product Control Section to be used in Miami-Dade County and other areas where allowed by the Authority Having Jurisdiction (AHJ).

This NOA shall not be valid after the expiration date stated below. The Miami-Dade County Product Control Section (In Miami-Dade County) and/ or the AHJ (in areas other than Miami-Dade County) reserve the right to have this product or material tested for quality assurance purposes. If this product or material fails to perform in the accepted manner, the manufacturer will incur the expense of such testing and the AHJ may immediately revoke, modify, or suspend the use of such product or material within their jurisdiction. RER reserves the right to revoke this acceptance, if it is determined by Miami-Dade County Product Control Section that this product or material fails to meet the requirements of the applicable building code.

This product is approved as described herein, and has been designed to comply with the Florida Building Code, including the High Velocity Hurricane Zone.

DESCRIPTION: Series "TD9050" Outswing Aluminum Terrace Door – L.M.I.

APPROVAL DOCUMENT: Drawing No. **9050-OS-NOA-1**, titled "Alum. Outswing Terrace Door, (LMI)", sheets 1 through 9 of 9, dated 05/01/19, prepared by manufacturer, signed and sealed by Anthony Lynn Miller, P.E., bearing the Miami-Dade County Product Control Section Approval stamp with the Notice of Acceptance number and Approval date by the Miami-Dade County Product Control Section.

MISSILE IMPACT RATING: Large and Small Missile Impact Resistant

Limitations:

1. See Design Pressure (DP) Vs Glass type, size and Elevation anchor lay out for Single door in sheet **2** and double door in sheet **3**.
2. See Jamb anchor for Single and Double Door in sheet **5**. See double door Cluster anchors at head and sill and cluster layout at astragal/meeting stiles in sheet **4**. Intermediate anchors are per Elevation Layout.
3. See illustrative door selection and installation Examples in sheet **5**.

LABELING: Each unit shall bear a permanent label with the manufacturer's name or logo, city, state, model/series, and following statement: "Miami-Dade County Product Control Approved", unless otherwise noted herein.

RENEWAL of this NOA shall be considered after a renewal application has been filed and there has been no change in the applicable building code negatively affecting the performance of this product.

TERMINATION of this NOA will occur after the expiration date or if there has been a revision or change in the materials, use, and/ or manufacture of the product or process. Misuse of this NOA as an endorsement of any product, for sales, advertising or any other purposes shall automatically terminate this NOA. Failure to comply with any section of this NOA shall be cause for termination and removal of NOA.

ADVERTISEMENT: The NOA number preceded by the words Miami-Dade County, Florida, and followed by the expiration date may be displayed in advertising literature. If any portion of the NOA is displayed, then it shall be done in its entirety.

INSPECTION: A copy of this entire NOA shall be provided to the user by the manufacturer or its distributors and shall be available for inspection at the job site at the request of the Building Official.

This NOA consists of this page 1 and evidence pages E-1, as well as approval document mentioned above.

The submitted documentation was reviewed by **Ishaq I. Chanda, P. E.**



5/22/19

NOA No. 19-0205.02
Expiration Date: May 30, 2024
Approval Date: May 30, 2019

NOTICE OF ACCEPTANCE: EVIDENCE SUBMITTED

A. DRAWINGS

1. Manufacturer's die drawings and sections.
2. Drawing No. **9050-OS-NOA-1**, titled "Alum. Outswing Terrace Door, (LMI)", sheets 1 through 9 of 9, dated 05/01/19, prepared by manufacturer, signed and sealed by Anthony Lynn Miller, P. E.

B. TESTS

1. Test reports on:
 - 1) Air Infiltration Test, per FBC, TAS 202-94
 - 2) Uniform Static Air Pressure Test, Loading per FBC, TAS 202-94
 - 3) Water Resistance Test, per FBC, TAS 202-94
 - 4) Large Missile Impact Test per FBC, TAS 201-94
 - 5) Cyclic Wind Pressure Loading per FBC, TAS 203-94
 - 6) Forced Entry Test, per FBC 2411.3.2.1, and TAS 202-94

along with marked-up drawings and installation diagram of an aluminum outswing Terrace Door, prepared by Fenestration Testing Laboratory, Inc., Test Report No. **FTL-17789**, dated 12/10/18, signed and sealed by Idalmis Ortega, P. E.

C. CALCULATIONS

1. Anchor verification calculations and structural analysis, complying with **FBC 6th Edition (2017)**, prepared by manufacturer, dated 01/14/19 and last revised on 05/01/19, signed and sealed by A. Lynn Miller, P. E.
2. Glazing complies with ASTM E1300-04/ 09

D. QUALITY ASSURANCE

1. Miami-Dade Department of Regulatory and Economic Resources (RER).

E. MATERIAL CERTIFICATIONS

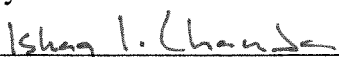
1. Notice of Acceptance No. **17-1114.14** issued to **Kuraray America, Inc.** for their "**Trosifol® Ultraclear, Clear, and Color PVB Glass Interlayers**" expiring on 07/08/19.
2. Notice of Acceptance No. **17-0808.02** issued to **Kuraray America, Inc.** (Former E.I. DuPont DE Nemours & Co., Inc. for the "**Sentry Glass® (Clear and White) Glass Interlayers**", expiring on 07/04/23.
3. Architectural Testing Test report # **60520** dated 12/18/2005, issued to Ensinger Inc., for Techatherm 66GF (insulbar) tested per ASTM G-155-00, ASTM D 638-03, ASTM D 635-98, ASTM D 1929-96 and ASTM D 2843-99, signed and sealed by Joseph A. Reed, P.E.

F. STATEMENTS

1. Statement letter of conformance with **FBC 6th Edition (2017)** and "No financial interest", issued by manufacturer, dated 01/15/19, signed and sealed by A. Lynn Miller, P. E.
2. Lab compliance as part of the above referenced Test Report.

G. OTHERS

1. Test proposal # **17-026-R** dated May 18, 2017 approved by RER.



Ishaq I. Chanda, P. E.
Product Control Unit Supervisor
NOA No. 19-0205.02
Expiration Date: May 30, 2024
Approval Date: May 30, 2019

SERIES 9050, IMPACT-RESISTANT, ALUMINUM, OUTSWING TERRACE DOOR

DESIGN PRESSURE RATING
SEE TABLE 3, SHEET 2 (SINGLE DOOR) SEE TABLE 4, SHEET 3 (DOUBLE DOOR)

IMPACT RATING
RATED FOR LARGE & SMALL MISSILE IMPACT RESISTANCE

1) THIS PRODUCT HAS BEEN DESIGNED & TESTED TO COMPLY WITH THE REQUIREMENTS OF THE FLORIDA BUILDING CODE, INCLUDING THE HIGH VELOCITY HURRICANE ZONE (HVHZ).

2) SHUTTERS ARE NOT REQUIRED WHEN USED IN WIND-BORNE DEBRIS REGIONS.

3) FOR MASONRY APPLICATIONS IN MIAMI-DADE COUNTY, USE ONLY MIAMI-DADE COUNTY APPROVED MASONRY ANCHORS. MATERIALS USED FOR ANCHOR EVALUATIONS WERE SOUTHERN PINE, ASTM C90 CONCRETE MASONRY UNITS (CMU'S) OF NORMAL WEIGHT AND OF COMPRESSIVE STRENGTH OF MIN. 1.9 KSI AND CONCRETE WITH MIN. KSI PER ANCHOR TYPE.

4) ALL WOOD BUCKS LESS THAN 1-1/2" THICK ARE TO BE CONSIDERED 1X INSTALLATIONS. 1X WOOD BUCKS ARE OPTIONAL IF UNIT IS INSTALLED DIRECTLY TO SUBSTRATE. WOOD BUCKS DEPICTED AS 2X ARE 1-1/2" THICK OR GREATER. 1X AND 2X BUCKS (WHEN USED) SHALL BE DESIGNED TO PROPERLY TRANSFER LOADS TO THE STRUCTURE. WOOD BUCK DESIGN AND INSTALLATION IS THE RESPONSIBILITY OF THE ENGINEER OR ARCHITECT OF RECORD.

5) IF SILL IS TIGHT TO SUBSTRATE, GROUT IS NOT REQUIRED. IF USED, NON-SHRINK, NON-METALLIC GROUT AT 3.4 KSI MIN. PER ASTM C1107, (DONE BY OTHERS). MAX. 1/4" SHIM SPACE FOR GROUT WHICH MUST FULLY SUPPORT THE ENTIRE LENGTH OF THE SILL THAT IS NOT TIGHT TO THE SUBSTRATE, AND TRANSFER SHEAR LOAD TO SUBSTRATE. IF SUBSTRATE IS WOOD, #30 FELT PAPER OR MASTIC IS REQUIRED BETWEEN THE GROUT AND WOOD SUBSTRATE, OR AS APPROVED BY THE AUTHORITY HAVING JURISDICTION, COMPLYING WITH THE FBC.

6) ANCHOR EMBEDMENT TO BASE MATERIAL SHALL BE BEYOND WALL DRESSING OR STUCCO. USE ANCHORS OF SUFFICIENT LENGTH TO ACHIEVE THE EMBEDMENT SHOWN ON TABLE 1, THIS SHEET. NARROW JOINT SEALANT IS USED ON ALL FOUR CORNERS OF THE FRAME. EXTERIOR INSTALLATION ANCHORS SHOULD BE SEALED. OVERALL SEALING/FLASHING STRATEGY FOR WATER RESISTANCE OF INSTALLATION SHALL BE DONE BY OTHERS AND IS BEYOND THE SCOPE OF THESE INSTRUCTIONS.

7) MAX. 1/4" SHIMS ARE REQUIRED AT EACH ANCHOR LOCATION WHERE THE PRODUCT IS NOT FLUSH TO THE SUBSTRATE. USE SHIMS CAPABLE OF TRANSFERRING APPLIED LOADS. WOOD BUCKS, BY OTHERS, MUST BE SUFFICIENTLY ANCHORED TO RESIST LOADS IMPOSED ON THEM BY THE DOOR.

8) DESIGN PRESSURES:

A. NEGATIVE DESIGN LOADS BASED ON STRUCTURAL AND CYCLE TEST PRESSURE, FRAME ANALYSIS AND GLASS PER ASTM E1300.

B. POSITIVE DESIGN LOADS BASED ON WATER TEST PRESSURE, STRUCTURAL AND CYCLE TEST PRESSURE, FRAME ANALYSIS AND GLASS PER ASTM E1300.

C. DESIGN LOADS ARE BASED ON ALLOWABLE STRESS DESIGN, ASD.

9) THE ANCHORAGE METHODS SHOWN HAVE BEEN DESIGNED TO RESIST THE WINDLOADS CORRESPONDING TO THE REQUIRED DESIGN PRESSURE. THE 33-1/3% STRESS INCREASE HAS NOT BEEN USED IN THE DESIGN OF THIS PRODUCT. THE 1.6 LOAD DURATION FACTOR WAS USED FOR THE EVALUATION OF ANCHORS INTO WOOD. ANCHORS THAT COME INTO CONTACT WITH OTHER DISSIMILAR MATERIALS SHALL MEET THE REQUIREMENTS OF THE FLORIDA BUILDING CODE (INCLUDING ADOPTED STANDARDS) FOR CORROSION RESISTANCE.

10) SIZES MUST BE VERIFIED FOR COMPLIANCE WITH EGRESS REQUIREMENTS PER THE FLORIDA BUILDING CODE.

11) REFERENCES:

TEST REPORTS: FTL-17-7383 (OUTSWING)

NOA'S: ELCO ULTRACON & CRETEFLEX ANCHOR NOA'S

TABLE 2:

Glass Type	Description (Listed from Exterior to Interior)
1	7/16" LAMI: 3/16" HS, .090" PVB, 3/16" HS
2	1-1/4" LIG: 3/16" TP CAP, AIRSPACE, 3/16" HS, .090" PVB, 3/16" HS
3	7/16" LAMI: 3/16" HS, .090" SG, 3/16" HS
4	1-1/4" LIG: 3/16" TP CAP, AIRSPACE, 3/16" HS, .090" SG, 3/16" HS

"HS" = HEAT STRENGTHENED

"TP" = TEMPERED

"PVB" = .090" TROSIFOL® PVB INTERLAYER BY KURARAY AMERICA, INC.

"SG" = .090" SENTRYGLAS® INTERLAYER BY KURARAY AMERICA, INC.

SEE SHEET 8 FOR SPACER INFORMATION.

TABLE 1:

Anchor Group	Anchor Type	Frame Member	Substrate	Min. Edge Distance	Min. Embedment or Metal Thickness
A	#14 Steel SMS (Gr. 5)	Head, Sill & Jamb	Southern Pine (SG = 0.55)	5/8"	1-3/8"
			6063-T5 Aluminum	3/8"	0.090"
			A36 Steel	3/8"	0.063"
			Steel Stud, Gr. 33	3/8"	0.045" (18 Ga)
B	#14 18-8 Stainless Steel SMS	Head, Sill & Jamb	Southern Pine (SG = 0.55)	5/8"	1-3/8"
			6063-T5 Aluminum	3/8"	0.090"
			A36 Steel	3/8"	0.063"
			Steel Stud, Gr. 33	3/8"	0.045" (18 Ga)
C	1/4" Elco UltraCon®	Jamb & Head	Concrete (min. 2.85 ksi)	1-1/2"	1-3/4"
		Sill	Concrete (min. 2.85 ksi)	1-1/2"	1-3/8"
		Jamb	Hollow/Filled CMU (ASTM C90)	2-1/2"	1-1/4"
D	1/4" Elco UltraCon®	Jamb & Head	Concrete (min. 2.85 ksi)	2-1/2"	1-3/4"
		Sill	Concrete (min. 2.85 ksi)	2-1/2"	1-3/8"
	1/4" 410 SS Elco CreteFlex®	Jamb & Head	Concrete (min. 3.35 ksi)	2-1/2"	1-1/4"
		Sill	Hollow/Filled CMU (ASTM C90)	2-1/2"	1-1/4"
		Sill	Concrete (min. 3.35 ksi)	2-1/2"	1-3/4"

- 1) ALL ANCHOR HEAD TYPES ARE APPLICABLE.
- 2) MIN. OF 3 THREADS BEYOND METAL SUBSTRATE.
- 3) METAL SUBSTRATE TO MEET MIN. STRENGTH, IMPOSED DEAD LOADS AND THICKNESS REQUIREMENTS PER CURRENT FLORIDA BUILDING CODE AND TO BE REVIEWED BY THE AUTHORITY HAVING JURISDICTION.

Anchor & Substrate Material Properties		
Material	Min. F _y	Min. F _u
Steel Screw	92 ksi	120 ksi
18-8 Screw	60 ksi	95 ksi
Elco UltraCon®	155 ksi	177 ksi
410 SS Elco CreteFlex®	127.4 ksi	189.7 ksi
6063-T5 Aluminum	16 ksi	22 ksi
A36 Steel	36 ksi	58 ksi
Gr. 33 Steel Stud	33 ksi	45 ksi

INSTRUCTIONS:

- 1) DETERMINE THE DESIGN PRESSURE REQUIREMENT (LBS/FT²) FOR THE OPENING USING THE ASCE-7 STANDARD.
- 2) TABLE 3, SHEET 2 REFERS TO SINGLE (X) DOORS. TABLE 4, SHEET 3 REFERS TO TO DOUBLE (XX) DOORS. DETERMINE THE DESIGN PRESSURE OF YOUR PRODUCT USING THE APPROPRIATE TABLE. THIS DESIGN PRESSURE NEEDS TO BE GREATER THAN OR EQUAL TO THE OPENING'S REQUIRED DESIGN PRESSURE FROM STEP 1.
- 3) DETERMINE YOUR ANCHOR GROUP FROM TABLE 1, THIS SHEET AND YOUR GLASS TYPE, (1-4) FROM SHEET 2 OR 3.
- 4) ANCHOR LOCATIONS AND SPACING ARE SHOWN ON THE ELEVATIONS ON SHEETS 2, (X) & 3, (XX).
- 5) DEPENDING ON THE PRODUCT CONFIGURATION, SHEETS 6 & 7 SHOW INSTALLATION CROSS-SECTION DETAILS.
- 6) SEE THE EXAMPLES ON SHEET 5.

Approved as complying with the Florida Building Code
Date MAY 30, 2019
NOA# 19-0205.02
Miami Dade Product Control
By Anthony L. Miller

STANDARDS USED:

- 2017 FLORIDA BUILDING CODE (FBC), 6TH EDITION
- ASTM E1300-09
- ANSI/AF&PA NDS-2012 FOR WOOD CONSTRUCTION
- ALUMINUM DESIGN MANUAL, ADM-2010
- AISI-S100-07/S2-2010

GUIDE TO SHEETS:

- GENERAL NOTES..... 1
- ELEVATION, DP & GLAZING, X..... 2
- ELEVATION, DP & GLAZING, XX... 3
- CLUSTER QTY & DETAILS..... 4
- JAMB ANCHORS/EXAMPLES..... 5
- HORIZ. INSTALLATION..... 6
- VERT. INSTALLATION..... 7
- EXTRUSIONS..... 8
- PARTS/HARDWARE LIST..... 9

PREPARED BY A. LYNN MILLER 1070 TECHNOLOGY DRIVE N. VENICE, FL 34275 (941) 480-1600	CERT. OF AUTH. #29296 COPYRIGHT © 2019 WINDOOR, INC. ALL RIGHTS RESERVED	Date	01/05/19
		By	JENS ROSOWSKI
WINDOOR INCORPORATED WINDOOR INCORPORATED 7500 AMSTERDAM DRIVE ORLANDO, FL 32832 (407) 481-8400	ALUM. OUTSWING TERRACE DOOR (LM)	No.	9050-CS-NOA-1
		Sheet	1 OF 9
GEN. NOTES & ANCHOR TABLE		Series	TD9050

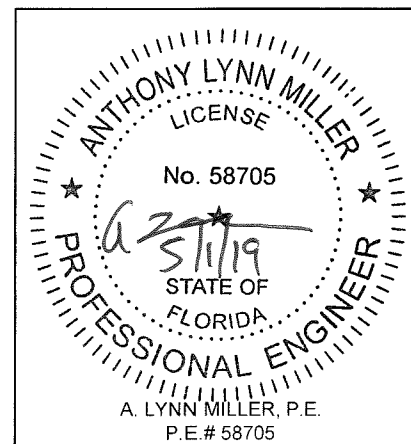


TABLE 3:

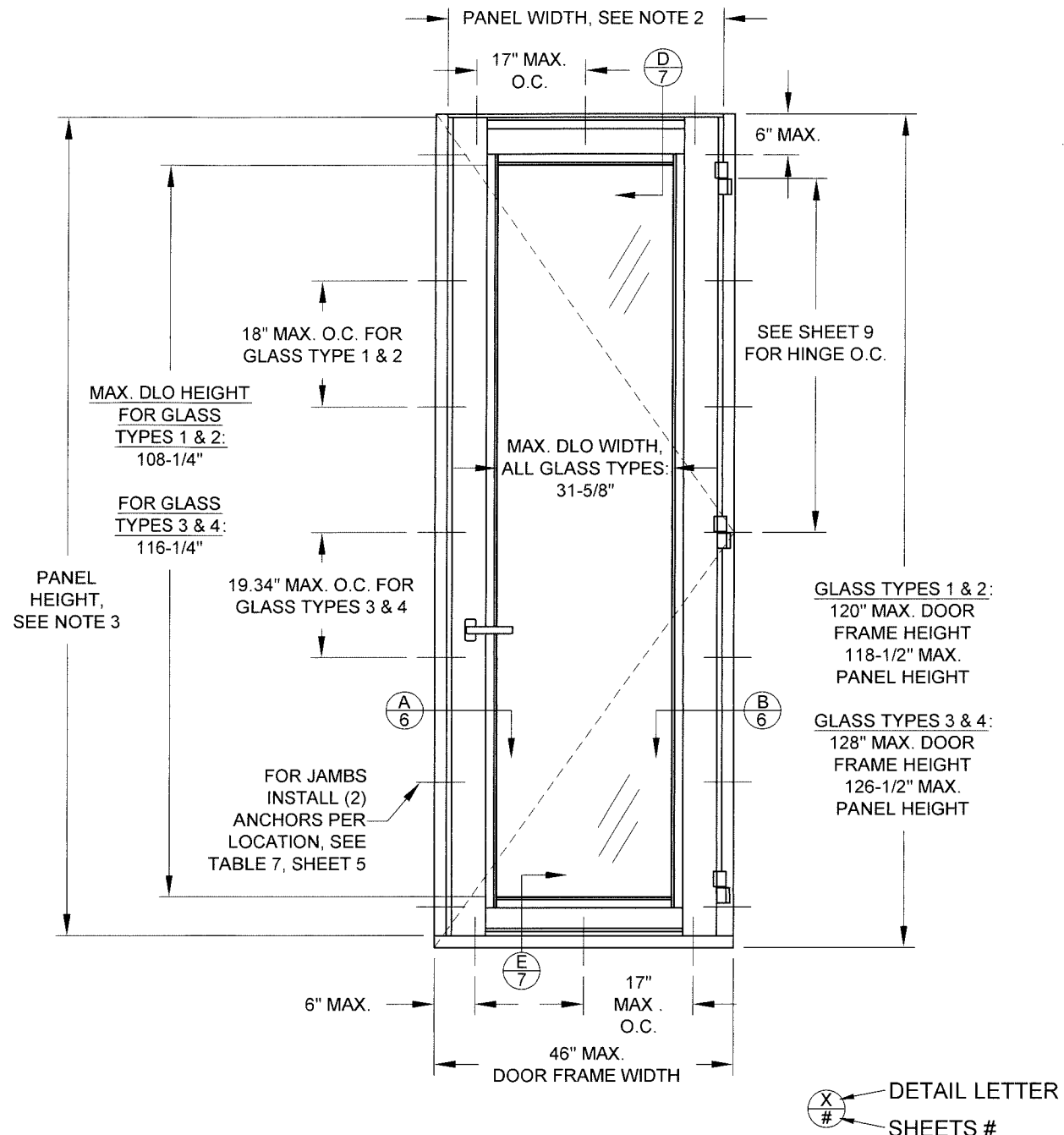
Design Pressure, psf for Single Doors (X)

Glass Type: 1 & 2 (PVB Interlayer)						
Frame Height	Overall (X) Frame Width					
	28"	32"	36"	40"	42"	46"
72"	+80 / -90	+80 / -90	+80 / -90	+80 / -90	+80 / -80	+80 / -80
80"	+80 / -90	+80 / -90	+80 / -90	+80 / -90	+80 / -80	+80 / -80
84"	+80 / -90	+80 / -90	+80 / -90	+80 / -90	+80 / -80	+80 / -80
96"	+80 / -90	+80 / -90	+80 / -90	+80 / -87.5	+80 / -80	+80 / -80
108"	+80 / -90	+80 / -90	+80 / -82.6	+80 / -80	+80 / -80	+80 / -80
120"	+80 / -90	+80 / -89.3	+80 / -80	+80 / -80	+80 / -80	+80 / -80

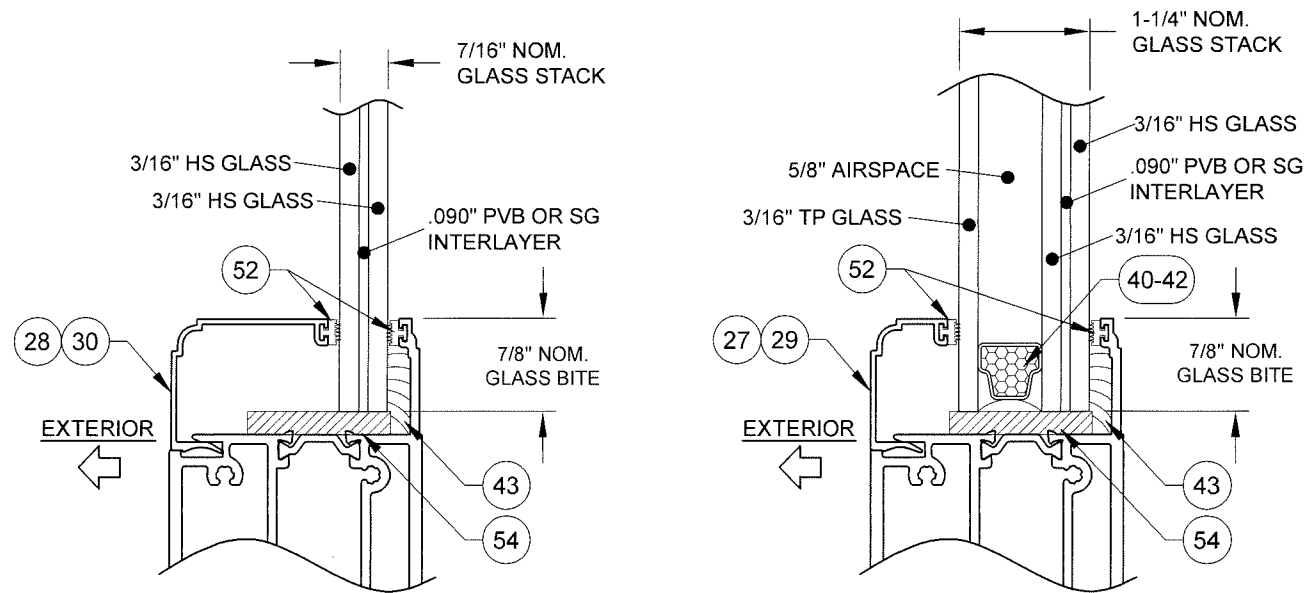
Glass Type: 3 & 4 (SG Interlayer)						
Frame Height	Overall (X) Frame Width					
	28"	32"	36"	40"	42"	46"
72"	+100 / -120	+100 / -120	+100 / -120	+92 / -115	+87.6 / -109.5	+80 / -100
80"	+100 / -120	+100 / -120	+100 / -120	+92 / -115	+87.6 / -109.5	+80 / -100
84"	+100 / -120	+100 / -120	+100 / -120	+92 / -115	+87.6 / -109.5	+80 / -100
96"	+100 / -120	+100 / -120	+100 / -120	+92 / -115	+87.6 / -109.5	+80 / -100
108"	+100 / -120	+100 / -120	+100 / -120	+92 / -115	+87.6 / -109.5	+80 / -100
120"	+100 / -120	+100 / -120	+100 / -120	+92 / -115	+87.6 / -109.5	+80 / -100
128"	+100 / -120	+100 / -120	+100 / -120	+92 / -115	+87.6 / -109.5	+80 / -100

USED IN EXAMPLE 1, SHEET 5

FOR SIZES NOT SHOWN, ROUND UP TO THE NEXT AVAILABLE WIDTH OR HEIGHT DIMENSION SHOWN ON THE TABLE.



TYP. ELEVATION OF SINGLE DOOR, (X)



**GLASS TYPE 1 (WITH PVB)
GLASS TYPE 3 (WITH SG)**

**GLASS TYPE 2 (WITH PVB)
GLASS TYPE 4 (WITH SG)**

"HS" = HEAT STRENGTHENED
 "TP" = TEMPERED
 "PVB" = .090" TROSIFOL® PVB INTERLAYER BY KURARAY AMERICA, INC.
 "SG" = .090" SENTRYGLAS® INTERLAYER BY KURARAY AMERICA, INC.

NOTES:

- 1) FOR SIZES NOT SHOWN, ROUND UP TO THE NEXT AVAILABLE WIDTH OR HEIGHT DIMENSION SHOWN ON THE TABLE.
- 2) PANEL WIDTH = DOOR FRAME WIDTH - 4.09
- 3) PANEL HEIGHT = FRAME HEIGHT - 1.42

Approved as complying with the Florida Building Code
 Date 5/30/19
 NOA# 19-0205.02
 Miami Dade Product Control
 By *Anthony L. Miller*

PREPARED BY A. LYNN MILLER 1070 TECHNOLOGY DRIVE N. VENICE, FL 34275 (941) 480-1600		CERT. OF AUTH. #29296 COPYRIGHT © 2019 WINDOOR, INC. ALL RIGHTS RESERVED	01/05/19 Date	JENS ROSOWSKI Drawn By	9050-OS-NOA-1 Rev.
WINDOOR INCORPORATED 7500 AMSTERDAM DRIVE ORLANDO, FL 32832 (407) 481-8400		ALUM. OUTSWING TERRACE DOOR (LM)		JENS ROSOWSKI Title	2 OF 9 Sheet No.
WINDOOR INCORPORATED 7500 AMSTERDAM DRIVE ORLANDO, FL 32832 (407) 481-8400		ALUM. OUTSWING TERRACE DOOR (LM)		JENS ROSOWSKI Title	2 OF 9 Sheet No.
WINDOOR INCORPORATED 7500 AMSTERDAM DRIVE ORLANDO, FL 32832 (407) 481-8400		ALUM. OUTSWING TERRACE DOOR (LM)		JENS ROSOWSKI Title	2 OF 9 Sheet No.

ANTHONY LYNN MILLER
 LICENSE
 No. 58705
 STATE OF
 FLORIDA
 PROFESSIONAL ENGINEER

A. LYNN MILLER, P.E.
 P.E.# 58705

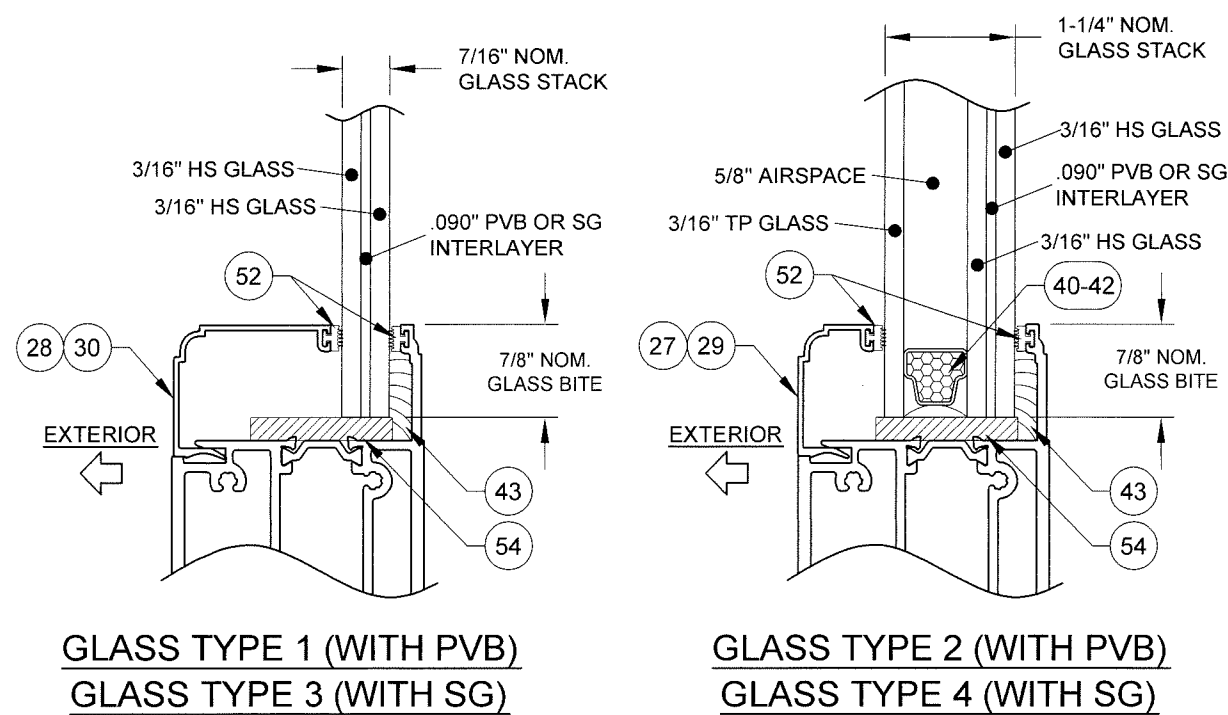
TABLE 4:

Design Pressure, psf for Double Doors (XX)

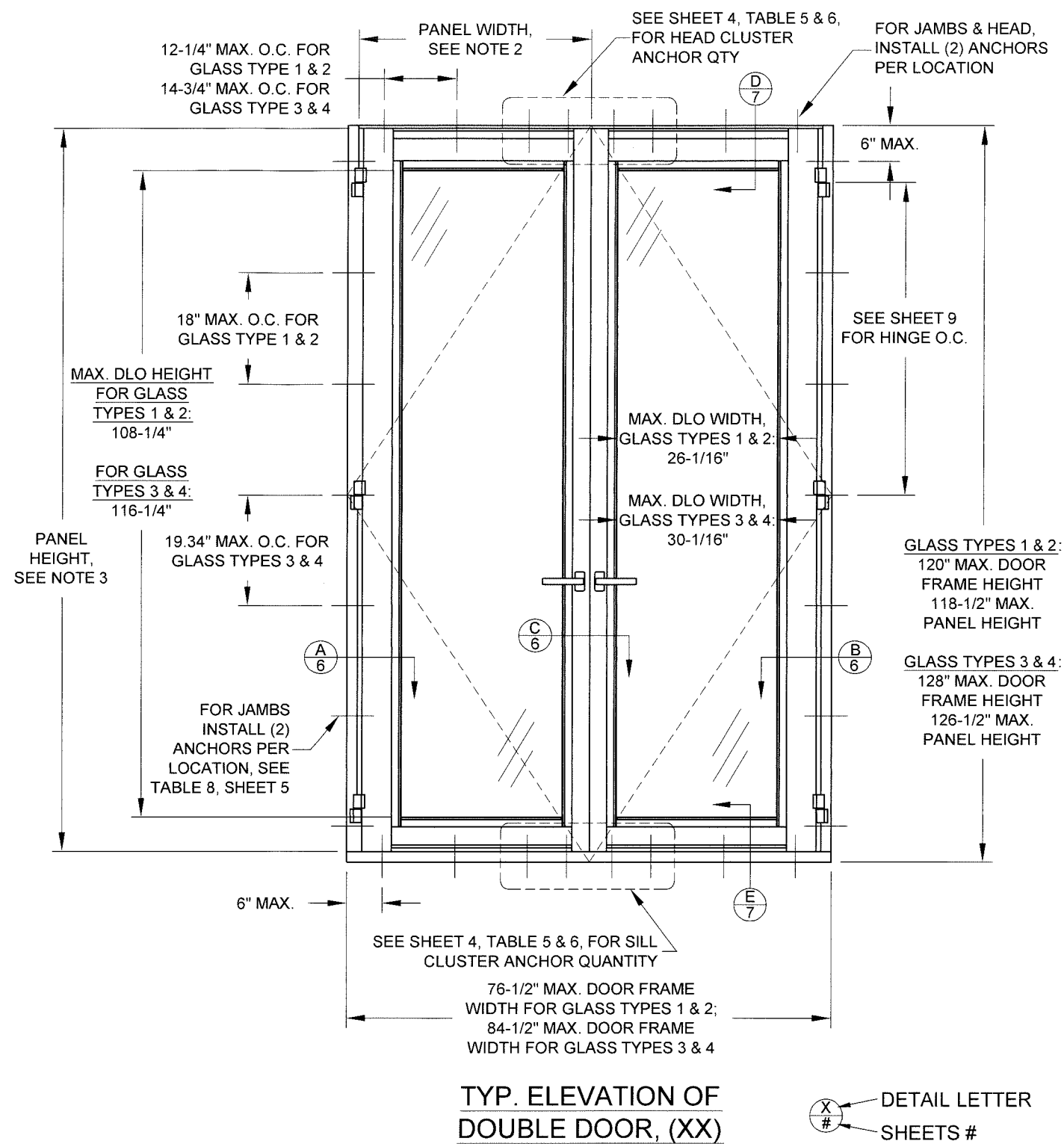
Glass Type: 1 & 2 (PVB Interlayer)						
Frame Height	Overall (XX) Frame Width					
	54"	60"	66"	72"	76-1/2"	-
72"	+80 / -90	+80 / -90	+80 / -90	+80 / -90	+80 / -90	-
80"	+80 / -90	+80 / -90	+80 / -90	+80 / -90	+80 / -90	-
84"	+80 / -90	+80 / -90	+80 / -90	+80 / -90	+80 / -90	-
96"	+80 / -90	+80 / -90	+80 / -90	+80 / -90	+80 / -87.5	-
108"	+80 / -90	+80 / -90	+80 / -90	+80 / -82.6	+77.8 / -77.8	-
120"	+80 / -90	+80 / -89.3	+80 / -81.1	+74.4 / -74.4	+70 / -70	-
Glass Type: 3 & 4 (SG Interlayer)						
Frame Height	Overall (XX) Frame Width					
	54"	60"	66"	72"	76-1/2"	84-1/2"
72"	+80 / -90	+80 / -90	+80 / -90	+80 / -90	+80 / -90	+80 / -90
80"	+80 / -90	+80 / -90	+80 / -90	+80 / -90	+80 / -90	+80 / -90
84"	+80 / -90	+80 / -90	+80 / -90	+80 / -90	+80 / -90	+80 / -90
96"	+80 / -90	+80 / -90	+80 / -90	+80 / -90	+80 / -90	+73.3 / -86.7
108"	+80 / -90	+80 / -90	+80 / -90	+76.5 / -90	+72 / -85.1	+65.2 / -77
120"	+80 / -90	+80 / -90	+75.1 / -88.8	+68.9 / -81.4	+64.8 / -76.6	+58.7 / -69.3
128"	+80 / -90	+77.5 / -90	+70.4 / -83.2	+64.5 / -76.3	+60.8 / -71.8	+55 / -65

FOR SIZES NOT SHOWN, ROUND UP TO THE NEXT AVAILABLE WIDTH OR HEIGHT DIMENSION SHOWN ON THE TABLE.

USED IN EXAMPLE 2, SHEET 5



"HS" = HEAT STRENGTHENED
 "TP" = TEMPERED
 "PVB" = .090" TROSIFOL® PVB INTERLAYER BY KURARAY AMERICA, INC.
 "SG" = .090" SENTRYGLAS® INTERLAYER BY KURARAY AMERICA, INC.



TYP. ELEVATION OF DOUBLE DOOR, (XX)

DETAIL LETTER X # SHEETS #

Approved as complying with the Florida Building Code
 Date 5/30/19
 NOA# 19-0205-02
 Miami Dade Product Control
 By [Signature]

NOTES:

- 1) FOR SIZES NOT SHOWN, ROUND UP TO THE NEXT AVAILABLE WIDTH OR HEIGHT DIMENSION SHOWN ON THE TABLE.
- 2) PANEL WIDTH = (DOOR FRAME WIDTH) / 2 - 1.17
- 3) PANEL HEIGHT = FRAME HEIGHT - 1.42

Revision:

WINDOOR INCORPORATED 7500 AMSTERDAM DRIVE ORLANDO, FL 32832 (407) 481-8400	PREPARED BY A. LYNN MILLER 1070 TECHNOLOGY DRIVE N. VENICE, FL 34275 (941) 480-1600	CERT. OF AUTH. #29296 COPYRIGHT © 2019 WINDOOR, INC. ALL RIGHTS RESERVED	01/05/19 Date	JENS ROSOWSKI By	9050-CS-NOA-1 No.
	ALUM. OUTSWING TERRACE DOOR (LM) XX ELEVATION & DP Title	3 OF 9 Sheet	TD9050 Series		

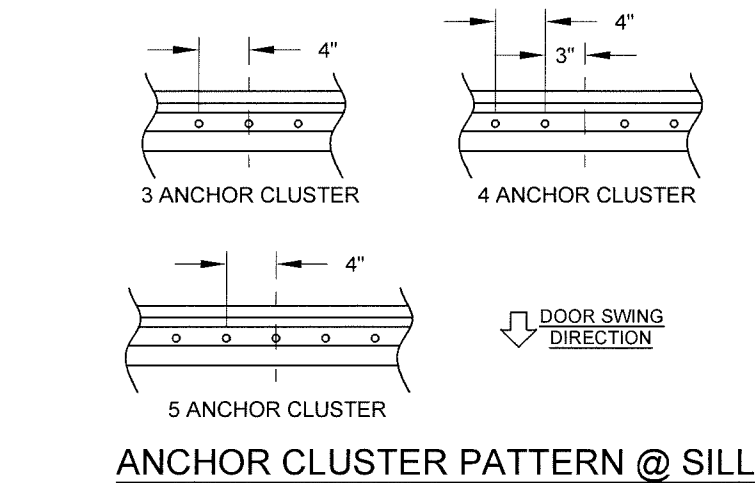
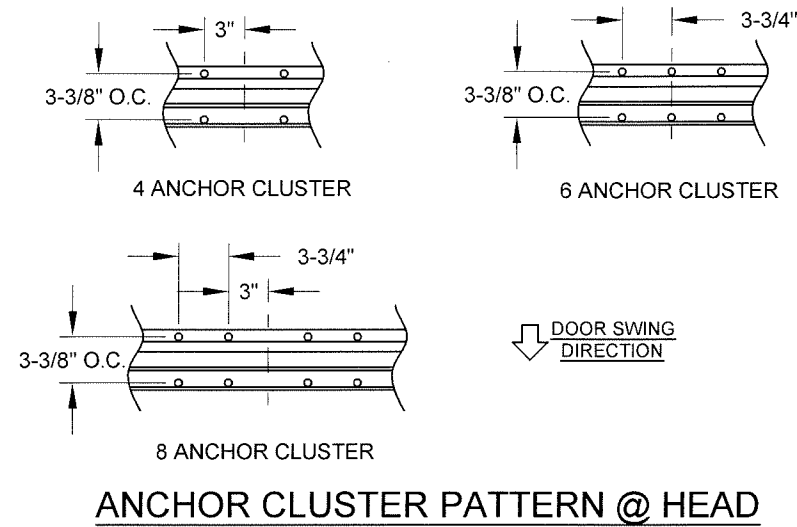
ANTHONY LYNN MILLER
 LICENSE
 No. 58705
 5/30/19
 STATE OF FLORIDA
 PROFESSIONAL ENGINEER
 A. LYNN MILLER, P.E.
 P.E.# 58705

TABLE 5:

Min. Quantity of Cluster Anchors @ Head & Sill, XX							
Glass Type: 1 & 2 (PVB Interlayer)							
Frame Height	Frame Location	Anchor Group	Frame Width				
			54"	60"	66"	72"	76-1/2"
72"	Head	A	4	4	4	4	6
	Sill		3	3	3	3	4
	Head	B	4	4	4	6	6
	Sill		3	3	3	4	4
	Head	C	4	4	4	4	4
	Sill		3	3	3	3	4
	Head	D	4	4	4	4	4
	Sill		3	3	3	4	4
80"	Head	A	4	4	4	6	6
	Sill		3	3	3	4	4
	Head	B	4	4	6	6	6
	Sill		3	3	4	4	4
	Head	C	4	4	4	4	6
	Sill		3	3	3	4	4
	Head	D	4	4	4	4	4
	Sill		3	4	4	4	4
84"	Head	A	4	4	6	6	6
	Sill		3	3	4	4	4
	Head	B	4	6	6	6	6
	Sill		3	3	4	4	4
	Head	C	4	4	4	6	6
	Sill		3	3	4	4	4
	Head	D	4	4	4	4	6
	Sill		3	4	4	4	5
96"	Head	A	4	6	6	6	6
	Sill		3	4	4	4	4
	Head	B	6	6	6	6	6
	Sill		4	4	4	5	5
	Head	C	4	4	6	6	6
	Sill		3	4	4	4	4
	Head	D	4	4	4	6	6
	Sill		4	4	4	5	5
108"	Head	A	6	6	6	6	6
	Sill		4	4	4	4	4
	Head	B	6	6	6	6	6
	Sill		4	4	5	5	5
	Head	C	4	6	6	6	6
	Sill		4	4	4	4	4
	Head	D	4	6	6	6	6
	Sill		4	5	5	5	5
120"	Head	A	6	6	6	6	6
	Sill		4	4	4	4	4
	Head	B	6	6	6	6	6
	Sill		4	5	5	5	5
	Head	C	6	6	6	6	6
	Sill		4	4	4	4	4
	Head	D	6	6	6	6	6
	Sill		5	5	5	5	5

TABLE 6:

Min. Quantity of Cluster Anchors @ Head & Sill, XX									
Glass Type: 3 & 4 (SG Interlayer)									
Frame Height	Frame Location	Anchor Group	Frame Width						
			54"	60"	66"	72"	76-1/2"	84-1/2"	
72"	Head	A	4	4	4	4	6	6	
	Sill		3	3	3	3	4	4	
	Head	B	4	4	4	6	6	6	
	Sill		3	3	3	4	4	4	
	Head	C	4	4	4	4	4	6	
	Sill		3	3	3	3	4	4	
	Head	D	4	4	4	4	4	4	
	Sill		3	3	3	4	4	4	
	80"	Head	A	4	4	4	6	6	6
		Sill		3	3	3	4	4	4
		Head	B	4	4	6	6	6	6
		Sill		3	3	4	4	4	4
Head		C	4	4	4	4	6	6	
Sill			3	3	3	4	4	4	
Head		D	4	4	4	4	4	6	
Sill			3	4	4	4	4	5	
84"		Head	A	4	4	6	6	6	6
		Sill		3	3	4	4	4	4
		Head	B	4	6	6	6	6	6
		Sill		3	3	4	4	4	5
	Head	C	4	4	4	6	6	6	
	Sill		3	3	4	4	4	4	
	Head	D	4	4	4	4	6	6	
	Sill		3	4	4	4	5	5	
	96"	Head	A	4	6	6	6	6	6
		Sill		3	4	4	4	5	5
		Head	B	6	6	6	6	6	8
		Sill		4	4	4	5	5	5
Head		C	4	4	6	6	6	6	
Sill			3	4	4	4	5	5	
Head		D	4	4	4	6	6	6	
Sill			4	4	4	5	5	5	
108"		Head	A	6	6	6	6	6	6
		Sill		4	4	4	4	5	5
		Head	B	6	6	6	8	8	8
		Sill		4	4	5	5	5	5
	Head	C	4	6	6	6	6	6	
	Sill		4	4	4	5	5	5	
	Head	D	4	6	6	6	6	6	
	Sill		4	5	5	5	5	5	
	120"	Head	A	6	6	6	6	6	6
		Sill		4	4	4	4	5	5
		Head	B	6	6	8	8	8	8
		Sill		4	5	5	5	5	5
Head		C	6	6	6	6	6	6	
Sill			4	4	5	5	5	5	
Head		D	6	6	6	6	6	6	
Sill			5	5	5	5	5	5	
128"		Head	A	6	6	6	6	6	6
		Sill		4	5	5	5	5	5
		Head	B	6	8	8	8	8	8
		Sill		5	5	5	5	5	5
	Head	C	6	6	6	6	6	6	
	Sill		4	5	5	5	5	5	
	Head	D	6	6	6	6	6	6	
	Sill		5	5	5	5	5	5	

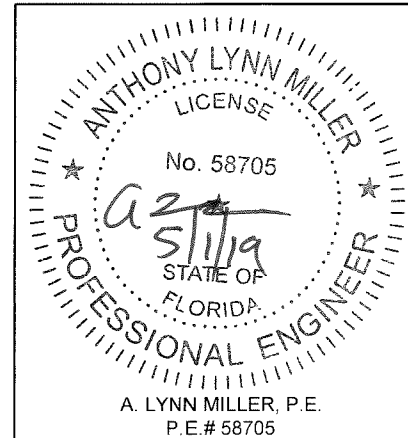


USED IN EXAMPLE 2, SHEET 5

NOTES:

- 1) FOR SIZES NOT SHOWN, ROUND UP TO THE NEXT AVAILABLE WIDTH OR HEIGHT DIMENSION SHOWN ON THE TABLE.
- 2) HEAD AND SILL ANCHOR QUANTITIES ARE FOR DOUBLE DOOR (XX) ANCHOR CLUSTERS ONLY.

Approved as complying with the Florida Building Code
 Date 5/30/19
 NOA# 19-0205-02
 Miami Dade Product Control
 By Shayl Clark



PREPARED BY A. LYNN MILLER 1070 TECHNOLOGY DRIVE N. VENICE, FL 34275 (941) 480-1600	CERT. OF AUTH. #29296 COPYRIGHT © 2019 WINDOOR, INC. ALL RIGHTS RESERVED	Date	01/05/19
		Drawn By	JENS ROSOWSKI
WINDOOR INCORPORATED WINDOOR INCORPORATED 7500 AMSTERDAM DRIVE ORLANDO, FL 32832 (407) 481-8400	ALUM. OUTSWING TERRACE DOOR (LM)	DWG No.	9050-OS-NOA-1
		Anchor Quantity	4 OF 9
Series	TD9050	Sheet	4 OF 9

TABLE 7:

Min. Quantity of Anchors Required at the Jamb, X

All Glass Types: 1, 2, 3 & 4 and All Anchor Groups: A, B, C & D

Frame Height	Frame Width					
	28"	32"	36"	40"	42"	46"
72"	10	10	10	10	10	10
80"	10	10	10	10	10	10
84"	10	10	10	10	10	10
96"	12	12	12	12	12	12
108"	14	14	14	14	14	14
120"	14	14	14	14	14	14
128" *	14	14	14	14	14	14

USED IN EXAMPLE 1, THIS SHEET

* APPLICABLE ONLY TO GLASS TYPES 3 & 4.

TABLE 8:

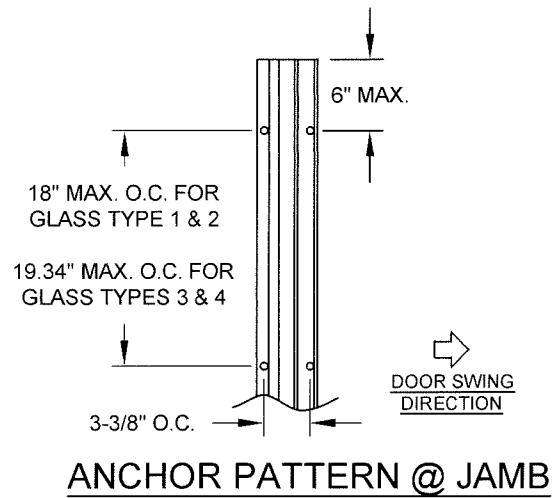
Min. Quantity of Anchors Required at the Jamb, XX

All Glass Types: 1, 2, 3 & 4 and All Anchor Groups: A, B, C & D

Frame Height	Frame Width					
	54"	60"	66"	72"	76-1/2"	84-1/2"
72"	10	10	10	10	10	10
80"	10	10	10	10	10	10
84"	10	10	10	10	10	10
96"	12	12	12	12	12	12
108"	12	12	12	12	12	12
120"	14	14	14	14	14	14
128" *	14	14	14	14	14	14

* APPLICABLE ONLY TO GLASS TYPES 3 & 4.

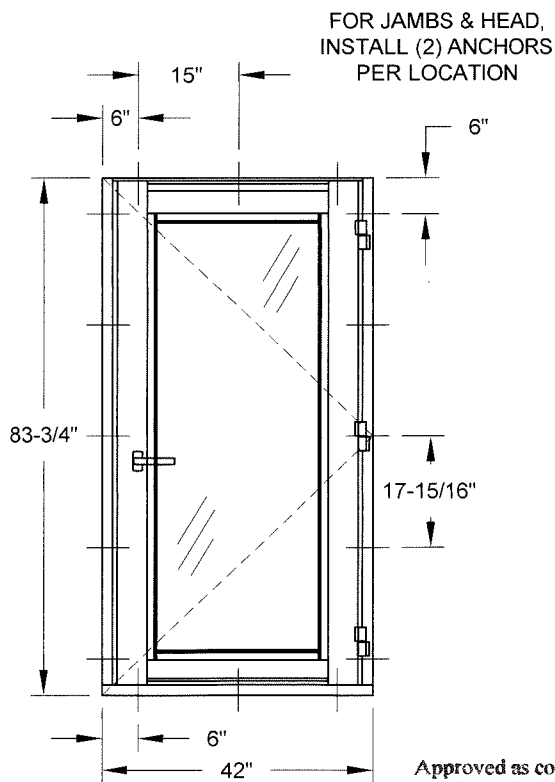
USED IN EXAMPLE 2, THIS SHEET



EXAMPLE 1:

- SINGLE DOOR, X, 42" X 83-3/4", REQUIRED DESIGN PRESSURE IS +55/-75 PSF.
- SUBSTRATE IS WOOD ON ALL SIDES.

- 1) FROM TABLE 3, WE SEE THAT THE SIZE IS AVAILABLE USING PVB INTERLAYER GLAZING (GLASS TYPES 1 OR 2), OR SG INTERLAYER GLAZING (GLASS TYPES 3 & 4). FOR THIS EXAMPLE CHOOSE THE PVB INTERLAYER.
- 2) FROM TABLE 3, AFTER ROUNDING THE WIDTH AND HEIGHT UP TO THE SIZES GIVEN ON THE TABLE, WE SEE THAT THE MAXIMUM DESIGN PRESSURE IS +80/-80. SINCE THIS EXCEEDS THE REQUIREMENTS OF +55/-75, WE MAY PROCEED.
- 3) FOLLOW ANCHOR LOCATIONS AS SHOWN ON THE ELEVATION OF SHEET 2.
- 4) FROM TABLE 7, IT IS REQUIRED THAT WE USE AT LEAST 10 ANCHORS IN THE JAMB (5 PAIRS). FOR THE MAXIMUM O.C., SEE THE ELEVATION DRAWING ON SHEET 2.
- 5) INSTALL USING THE CROSS-SECTION DRAWINGS ON SHEETS 6 & 7 AS A GUIDELINE.

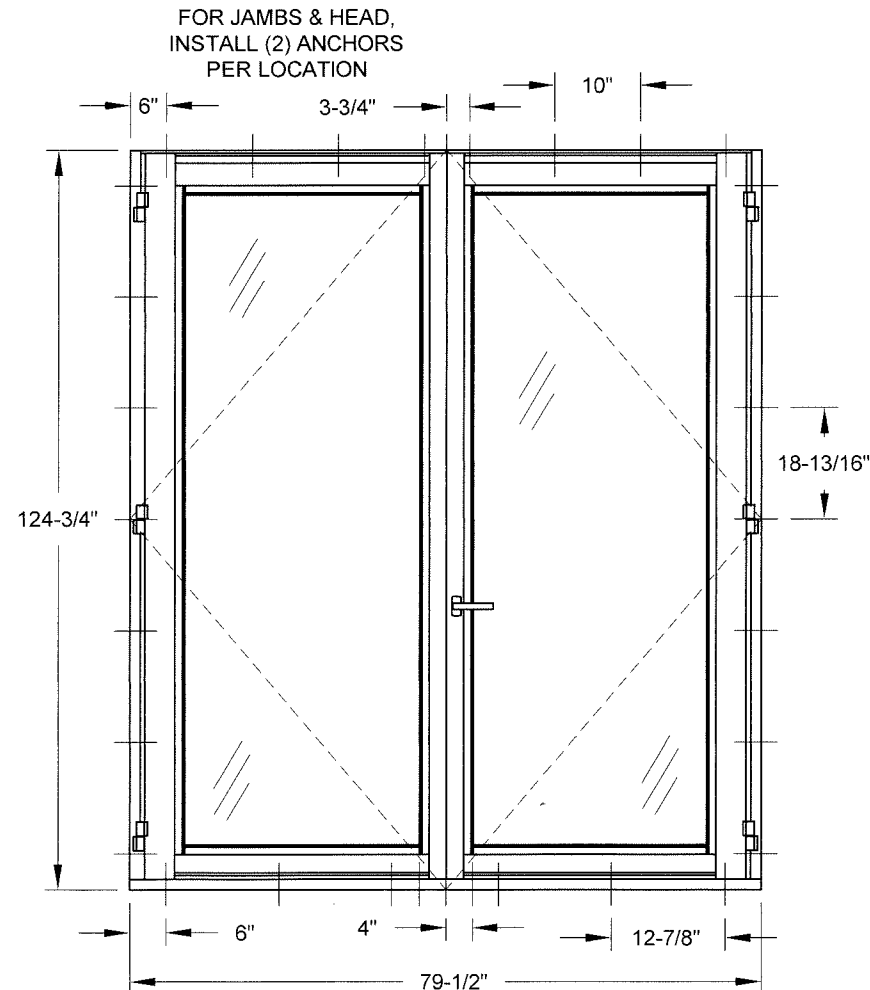


Approved as complying with the Florida Building Code
Date 5/13/19
NOA# 19-0205.02
Miami Dade Product Control
By *Isley L. ...*

EXAMPLE 2:

- DOUBLE DOOR, XX, 79-1/2" X 124-3/4". REQUIRED DESIGN PRESSURE IS +/-52.5 PSF.
- SUBSTRATE IS CONCRETE AT THE HEADER AND SILL AND UNFILLED CONCRETE BLOCKS AT THE JAMBS.

- 1) FROM TABLE 4, WE SEE THAT THE SIZE IS NOT AVAILABLE USING PVB INTERLAYER GLAZING (GLASS TYPES 1 OR 2), SG INTERLAYER GLAZING (GLASS TYPES 3 OR 4) MUST BE USED.
- 2) FROM TABLE 4, AFTER ROUNDING THE WIDTH AND HEIGHT UP TO THE SIZES GIVEN ON THE TABLE, WE SEE THAT THE MAXIMUM DESIGN PRESSURE IS +55/-65. SINCE THIS EXCEEDS THE REQUIREMENTS OF +/-52.5, WE MAY PROCEED.
- 3) FOLLOW ANCHOR LOCATIONS AS SHOWN ON THE ELEVATION OF SHEET 3. FOR THE HEAD AND SILL CLUSTER QUANTITIES, REFER TO TABLE 6.
- 4) TABLE 6 REQUIRES US TO KNOW THE ANCHOR GROUP TO BE USED. WE PLAN ON USING ULTRACON ANCHORS. LOOKING AT TABLE 1, SHEET 1, WE CHOSE ANCHOR GROUP D SINCE WE KNOW THAT THE ANCHORS AT THE HEAD AND SILL ARE INTO CONCRETE AND THE ANCHORS AT THE JAMBS ARE INTO HOLLOW BLOCK.
- 5) INSTALL USING THE CROSS-SECTION DRAWINGS ON SHEETS 6 & 7 AS A GUIDELINE.



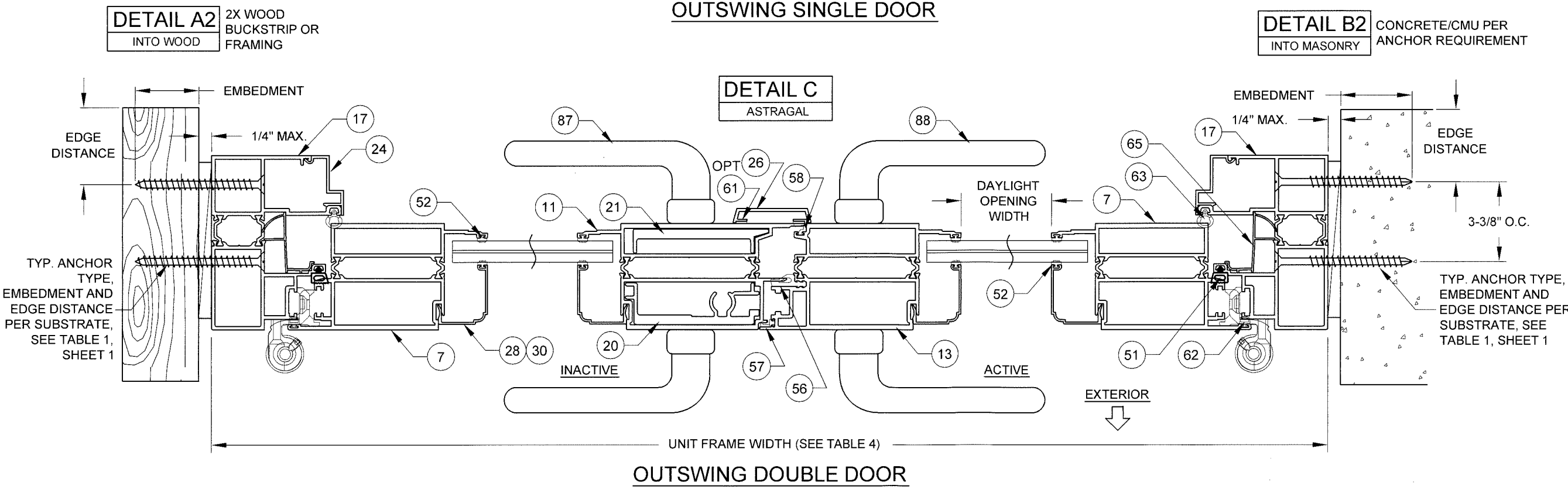
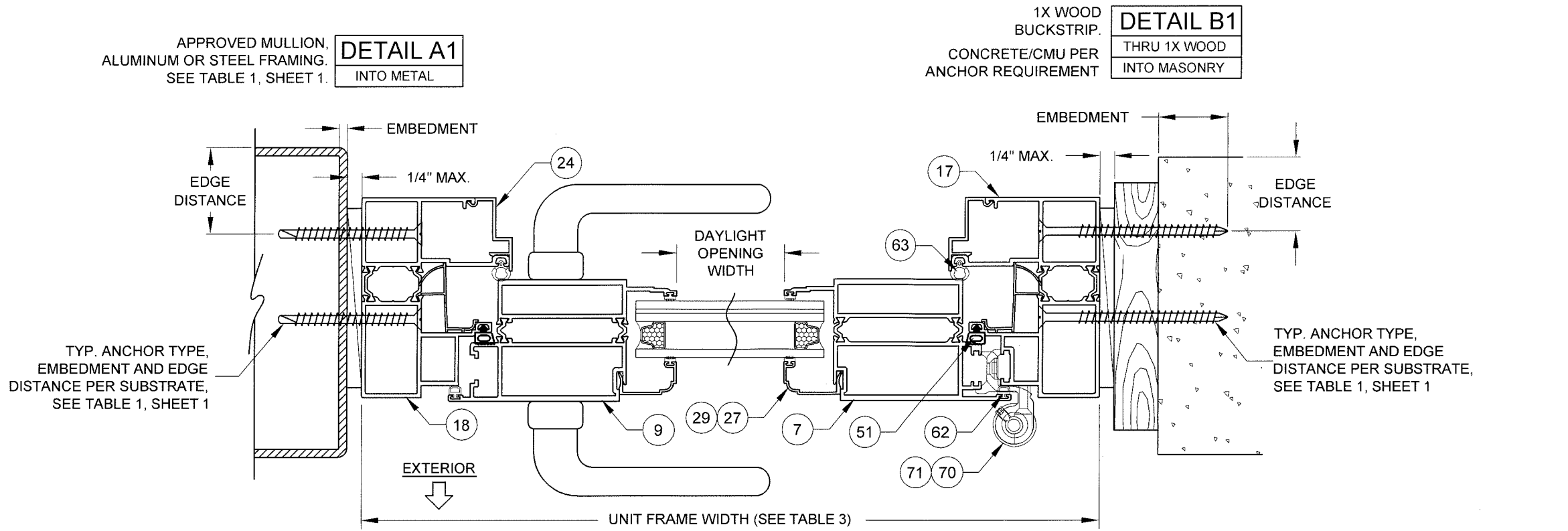
NOTES:

1) FOR SIZES NOT SHOWN, ROUND UP TO THE NEXT AVAILABLE WIDTH OR HEIGHT DIMENSION SHOWN ON THE TABLE.

Revision:

PREPARED BY A. LYNN MILLER 1070 TECHNOLOGY DRIVE N. VENICE, FL 34275 (941) 480-1600	CERT. OF AUTH. #29296 COPYRIGHT © 2019 WINDOOR, INC. ALL RIGHTS RESERVED	Date	01/05/19
		By	JENS ROSOWSKI
WINDOOR INCORPORATED 7500 AMSTERDAM DRIVE ORLANDO, FL 32832 (407) 481-8400	ALUM. OUTSWING TERRACE DOOR (LM)	DWG No.	9050-CS-NOA-1
		Sheet	5 OF 9
Series Desc. Title		JAMB ANCHOR QTY / EXAMPLES TD9050	

ANTHONY LYNN MILLER
 LICENSE
 No. 58705
 5/1/19
 STATE OF FLORIDA
 PROFESSIONAL ENGINEER
 A. LYNN MILLER, P.E.
 P.E.# 58705



NOTES:

1) USE ONLY SUBSTRATE APPROPRIATE ANCHORS, FOLLOW EMBEDMENT, EDGE DISTANCE AND SUBSTRATE REQUIREMENTS PER TABLE 1, SHEET 1. ANY INSTALLATION OPTION SHOWN MAY BE USED. ALL ANCHOR HEAD TYPES ARE ALLOWED.

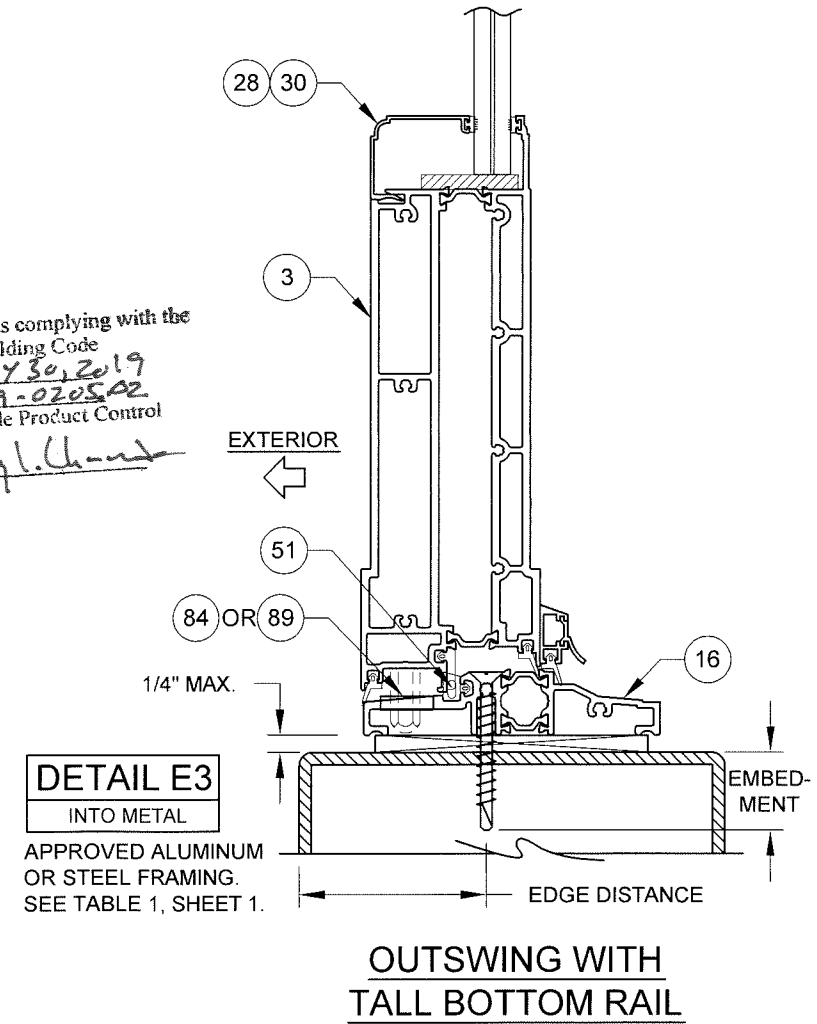
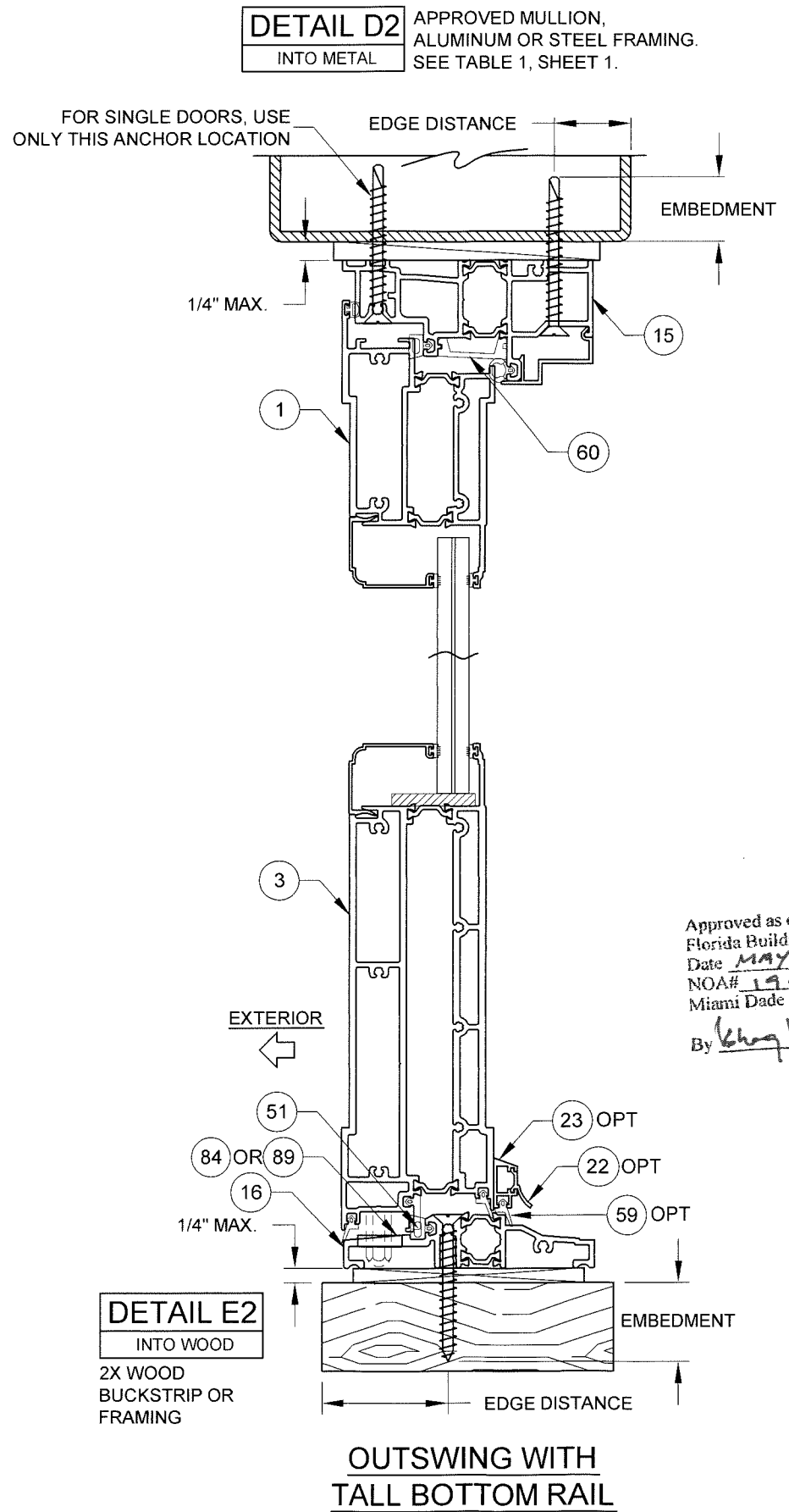
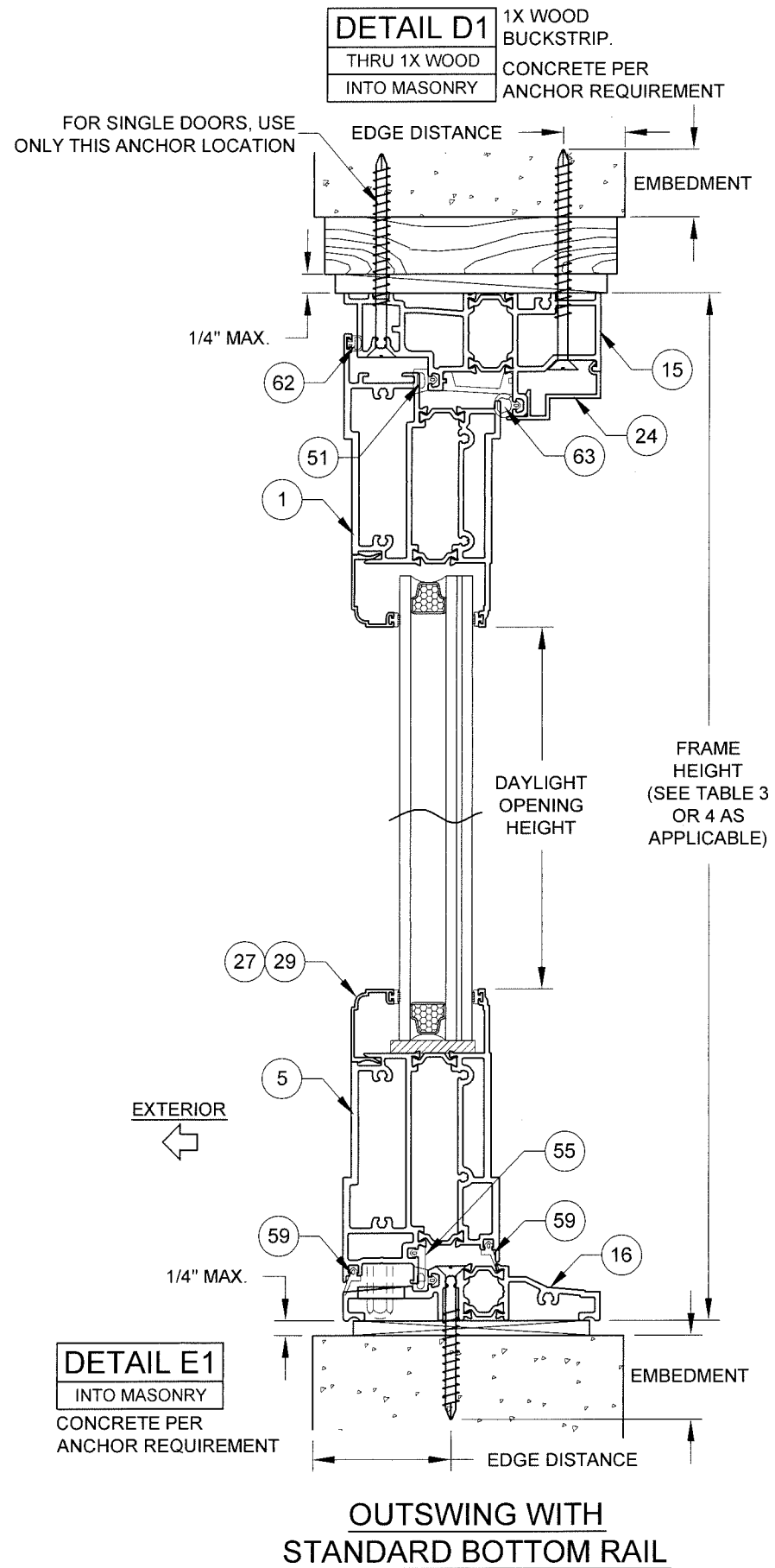
2) ALL WOOD BUCKS LESS THAN 1-1/2" THICK ARE TO BE CONSIDERED 1X INSTALLATIONS. 1X WOOD BUCKS ARE OPTIONAL. UNIT MAY BE INSTALLED DIRECTLY TO SUBSTRATE. WOOD BUCKS DEPICTED AS 2X ARE 1-1/2" THICK OR GREATER. 1X AND 2X BUCKS (WHEN USED) SHALL BE DESIGNED TO PROPERLY TRANSFER LOADS TO THE STRUCTURE. WOOD BUCK DESIGN AND INSTALLATION IS THE RESPONSIBILITY OF THE ENGINEER OR ARCHITECT OF RECORD.

Approved as complying with the Florida Building Code
 Date MAY 30, 2019
 NOA# 19-0205-02
 Miami Dade Product Control
 By Anthony L. Miller

Revision:

PREPARED BY A. LYNN MILLER 1070 TECHNOLOGY DRIVE N. VENICE, FL 34275 (941) 480-1600	CERT. OF AUTH. #29296 COPYRIGHT © 2019 WINDOOR, INC. ALL RIGHTS RESERVED	Date	01/05/19
		Drawn By	JENS ROSOWSKI
WINDOOR INCORPORATED WINDOOR INCORPORATED 7500 AMSTERDAM DRIVE ORLANDO, FL 32832 (407) 481-8400	ALUM. OUTSWING TERRACE DOOR (LM) OUTSWING HORIZ. X-SECTION	Series	9050-OS-NOA-1
		Sheet	6 OF 9

ANTHONY LYNN MILLER
 LICENSE
 No. 58705
 a 2/19
 STATE OF FLORIDA
 PROFESSIONAL ENGINEER
 A. LYNN MILLER, P.E.
 P.E.# 58705



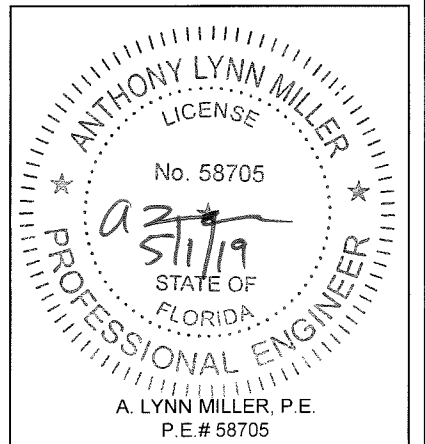
Approved as complying with the Florida Building Code
Date MAY 30, 2019
NOA# 19-020502
Miami Dade Product Control
By [Signature]

NOTES:

1) USE ONLY SUBSTRATE APPROPRIATE ANCHORS, FOLLOW EMBEDMENT, EDGE DISTANCE AND SUBSTRATE REQUIREMENTS PER TABLE 1, SHEET 1. ANY INSTALLATION OPTION SHOWN MAY BE USED. ALL ANCHOR HEAD TYPES ARE ALLOWED.

2) ALL WOOD BUCKS LESS THAN 1-1/2" THICK ARE TO BE CONSIDERED 1X INSTALLATIONS. 1X WOOD BUCKS ARE OPTIONAL. UNIT MAY BE INSTALLED DIRECTLY TO SUBSTRATE. WOOD BUCKS DEPICTED AS 2X ARE 1-1/2" THICK OR GREATER. 1X AND 2X BUCKS (WHEN USED) SHALL BE DESIGNED TO PROPERLY TRANSFER LOADS TO THE STRUCTURE. WOOD BUCK DESIGN AND INSTALLATION IS THE RESPONSIBILITY OF THE ENGINEER OR ARCHITECT OF RECORD.

PREPARED BY A. LYNN MILLER 1070 TECHNOLOGY DRIVE N. VENICE, FL 34275 (941) 480-1600		CERT. OF AUTH. #29296 COPYRIGHT © 2019 WINDOOR, INC. ALL RIGHTS RESERVED	Date: 01/05/19	By: JENS ROSOWSKI	Rev.
WINDOOR INCORPORATED 7500 AMSTERDAM DRIVE ORLANDO, FL 32832 (407) 481-8400		ALUM. OUTSWING TERRACE DOOR (LM)		DWG No. 9050-OS-NOA-1	
OUTSWING VERT. X-SECTION		OUTSWING VERT. X-SECTION		7 OF 9	
Series: TD9050	Desc.:			Sheet	



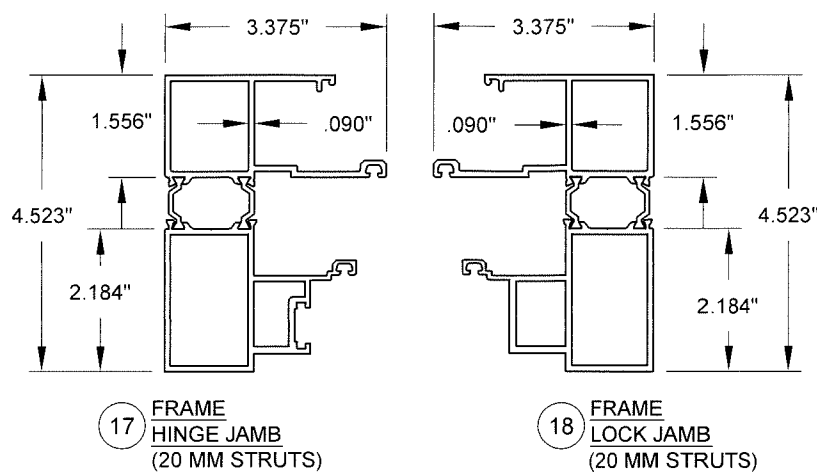
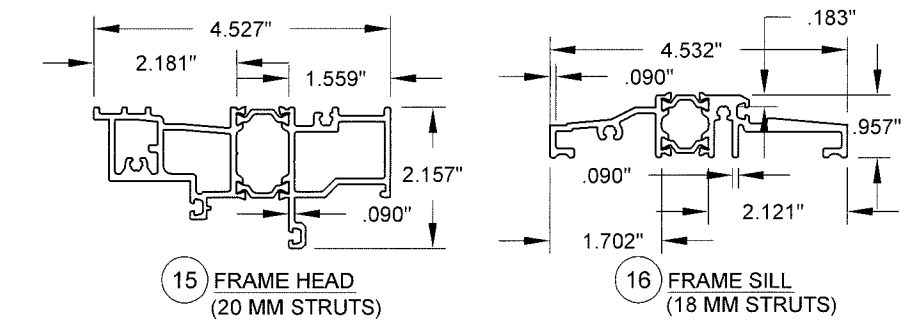
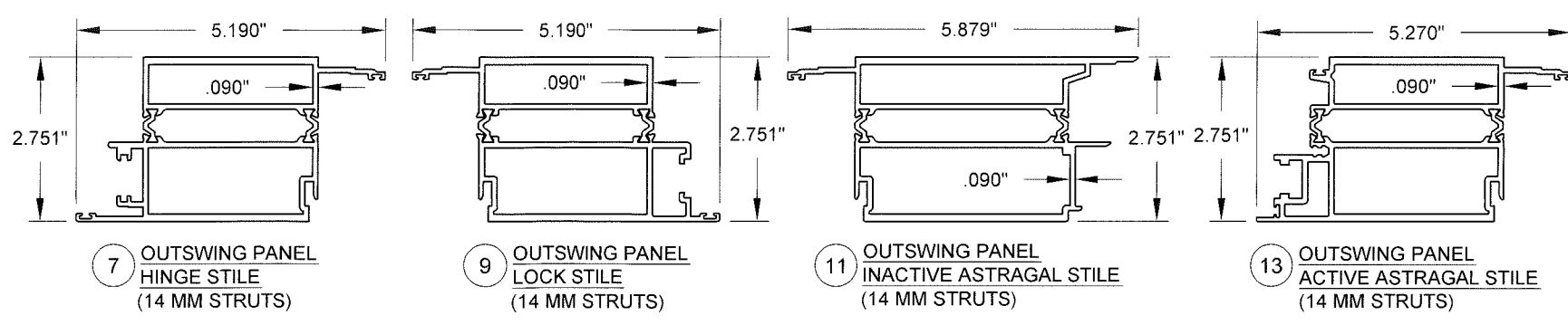
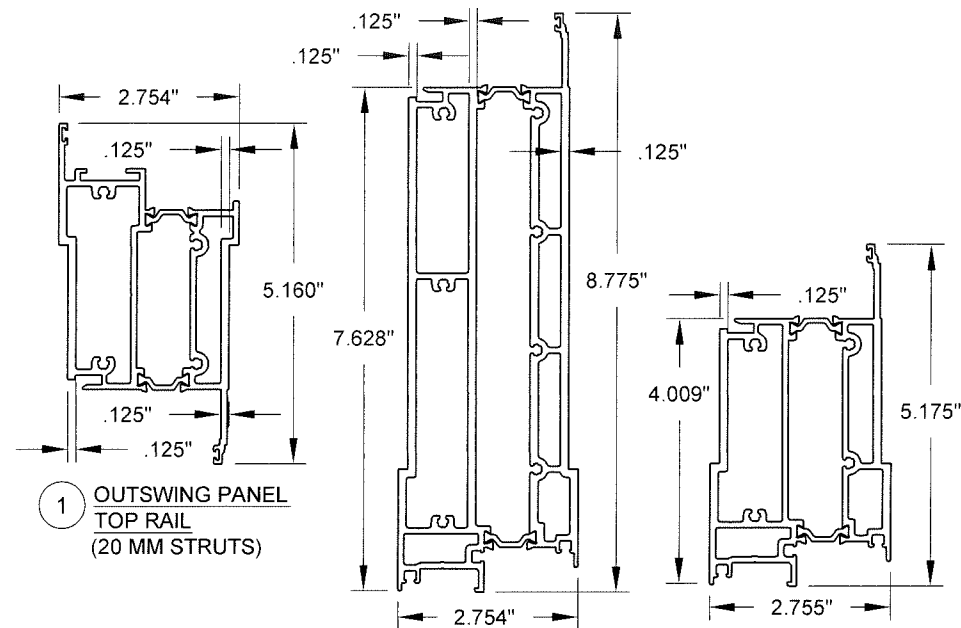
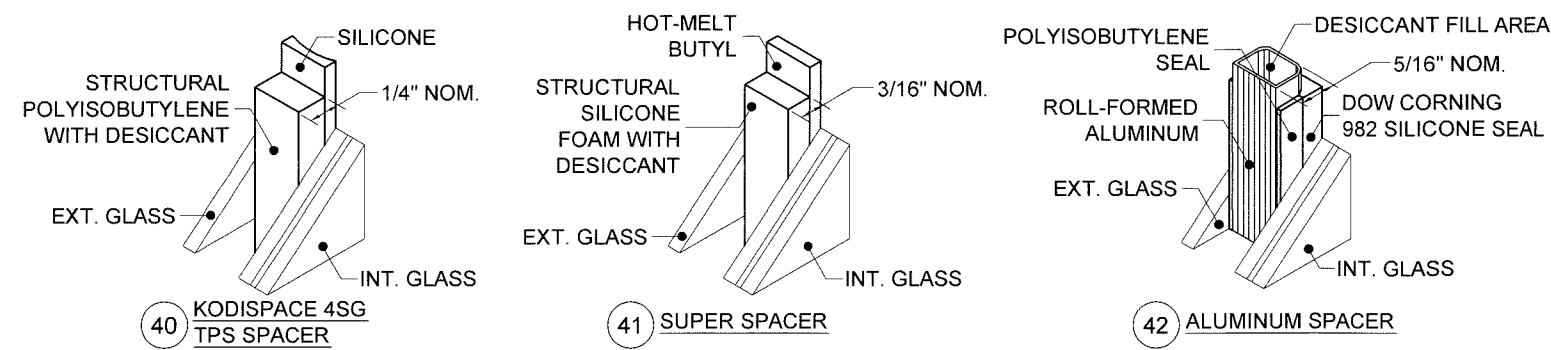
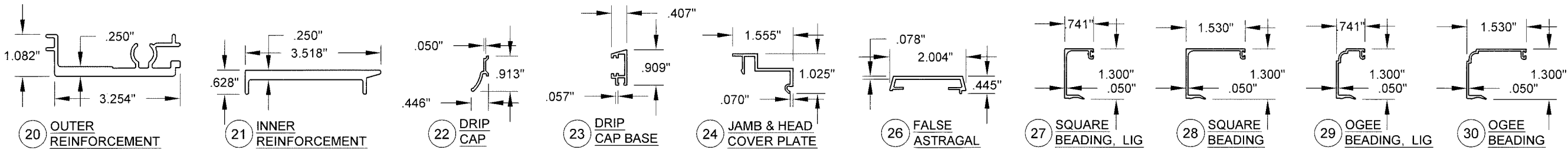


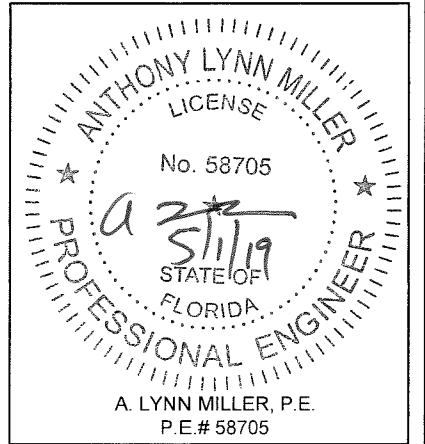
TABLE 9:

#	Part #	Description	Material
1	130905A36	Outswing Panel Top Rail	6063 -T6
3	130905A38	Outswing Panel High Bottom Rail	6063 -T6
5	130905A37	Outswing Panel Standard Bottom Rail	6063 -T6
7	130905A03	Outswing Panel Hinge Stile	6063 -T6
9	13010447	Outswing Panel Lock Stile	6063 -T6
11	130905A18	Outswing Panel Inactive Panel Stile	6063 -T6
13	130905A17	Outswing Panel Active Panel Stile	6063 -T6
15	130905A32	Frame Head	6063 -T6
16	130905A34	Frame Sill	6063 -T6
17	130905A21	Frame Hinge Jamb	6063 -T6
18	13010440	Frame Lock Jamb	6063 -T6
20	11006862	Outer Reinforcement	6063 -T6
21	11006863	Inner Reinforcement	6063 -T6
22	11060646	Drip Cap/Sweep	6063 -T6
23	11060647	Drip Cap/Sweep Base	6063 -T6
24	11046085	Jamb & Head Cover Plate	6063 -T6
26	11010287	False Astragal	6063 -T6
27	11052598	Square Beading, LIG	6063 -T6
28	11052596	Square Beading	6063 -T6
29	11046084	Ogee Beading, LIG	6063 -T6
30	11046082	Ogee Beading	6063 -T6

NOTE 1) THERMAL STRUT IS FIBERGLASS REINFORCED POLYAMIDE (TENSILE STRENGTH = 78 MPA), TESTED AS PART OF THE EXTRUSIONS SHOWN.



Approved as complying with the Florida Building Code
 Date May 30, 2019
 NOA# 19-0205-02
 Miami Dade Product Control
 By Isheq I. Chank



Prepared by A. LYNN MILLER
 1070 TECHNOLOGY DRIVE
 N. VENICE, FL 34275
 (941) 480-1600

CERT. OF AUTH. #29296
 COPYRIGHT © 2019 WINDOOR, INC.
 ALL RIGHTS RESERVED

WINDOOR INCORPORATED
 7500 AMSTERDAM DRIVE
 ORLANDO, FL 32832
 (407) 481-8400

ALUM. OUTSWING TERRACE DOOR (LM)
 EXTRUSIONS & BOM

01/05/19
 JENS ROSOWSKI

8 OF 9
 9050-OS-NOA-1

TD9050
 Sheet

TABLE 10:

#	Part #	Description	Material
40		Kommerling Kodispace 4SG TPS	See Sheet
41		Quanex Super Spacer	7 for
42		Ramapo Aluminum Spacer by NT	Materials
43		Sika 552 Backbedding	
51	W9050-BL-9100E	Sponge Seal, 905VP-22-SEAL	EPDM
52	121006/121007	Glazing Vinyl	EPDM, 80 Duro.
54	121001	Setting Block, 1/4" x 3/4" x 1"	Neoprene, 80 Duro.
55	15303	Filler Strip, TP-448	PVC, 92 Duro.
56	W9050-BL-54576	Active Stile Center Sponge	
57	W9050-BL-3911	Active Stile Outer Weatherstrip, Co-ex.	EPDM, 80 Duro.
58	W9050-BL-3912	Active Stile Inner Weatherstrip, Co-ex.	EPDM, 80 Duro.
59	17010491	Sill Rail Sweep, Black	Santoprene
60	W9050-BL-9102E	Strut Cover	
61	15005	Double-sided Astragal Tape	Adhesive Foam
62	15103	Panel Flange Bulb	EPDM, 80 Duro.
63	15187	Frame Long Leg Weatherstrip (OS)	EPDM, 80 Duro.
64	W9050-BL-3913	Frame Long Leg Weatherstrip (IS)	EPDM, 80 Duro.
65	10236	Jamb Anchor Cover	PVC, 92 Duro
66		#8 x 1" Ph SQ SMS (Panel Assembly)	SS
67	140008	#10 x 3/4" Ph FH SMS (Sill/Head Strike Plates)	SS
68		#10 x 3/4" Ph FH Tek SMS (Shoot Bolt Plate)	SS
69		#10 x 1-1/4" Ph SQ SMS (Frame Assembly)	SS

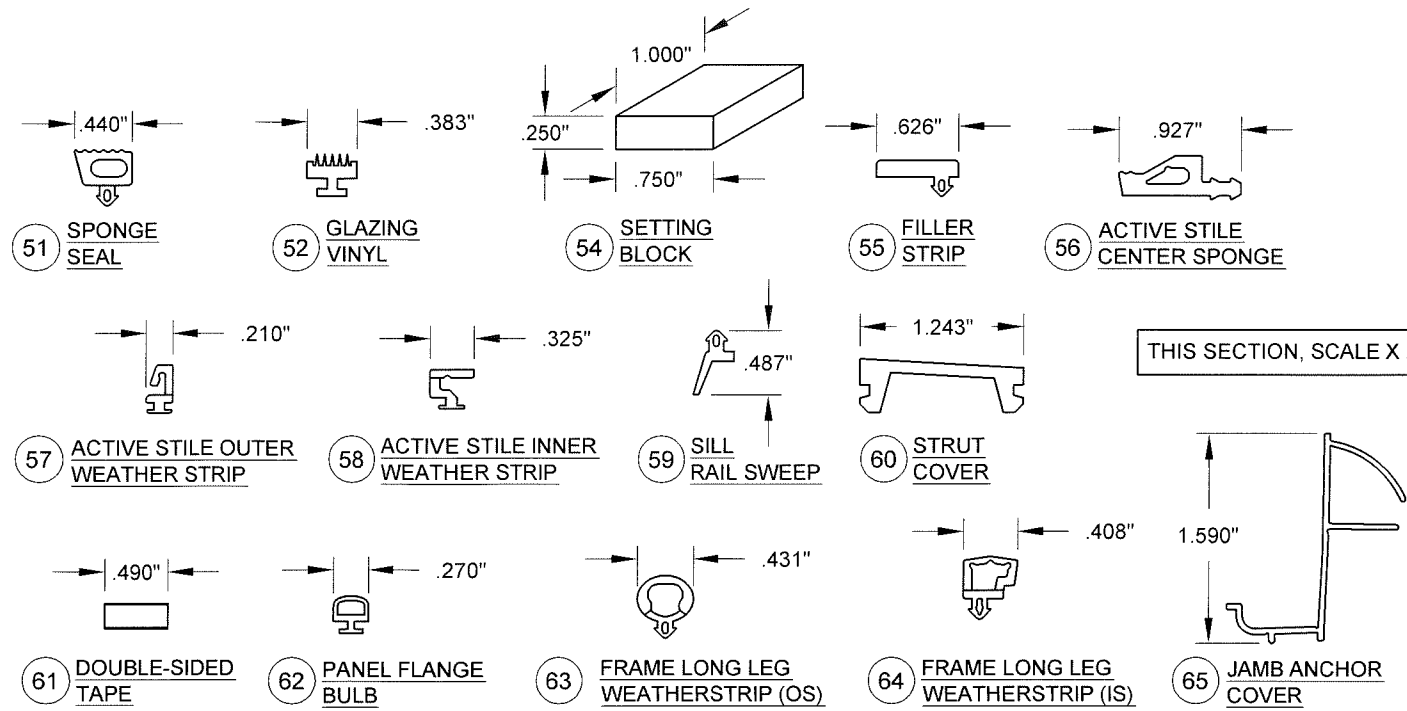
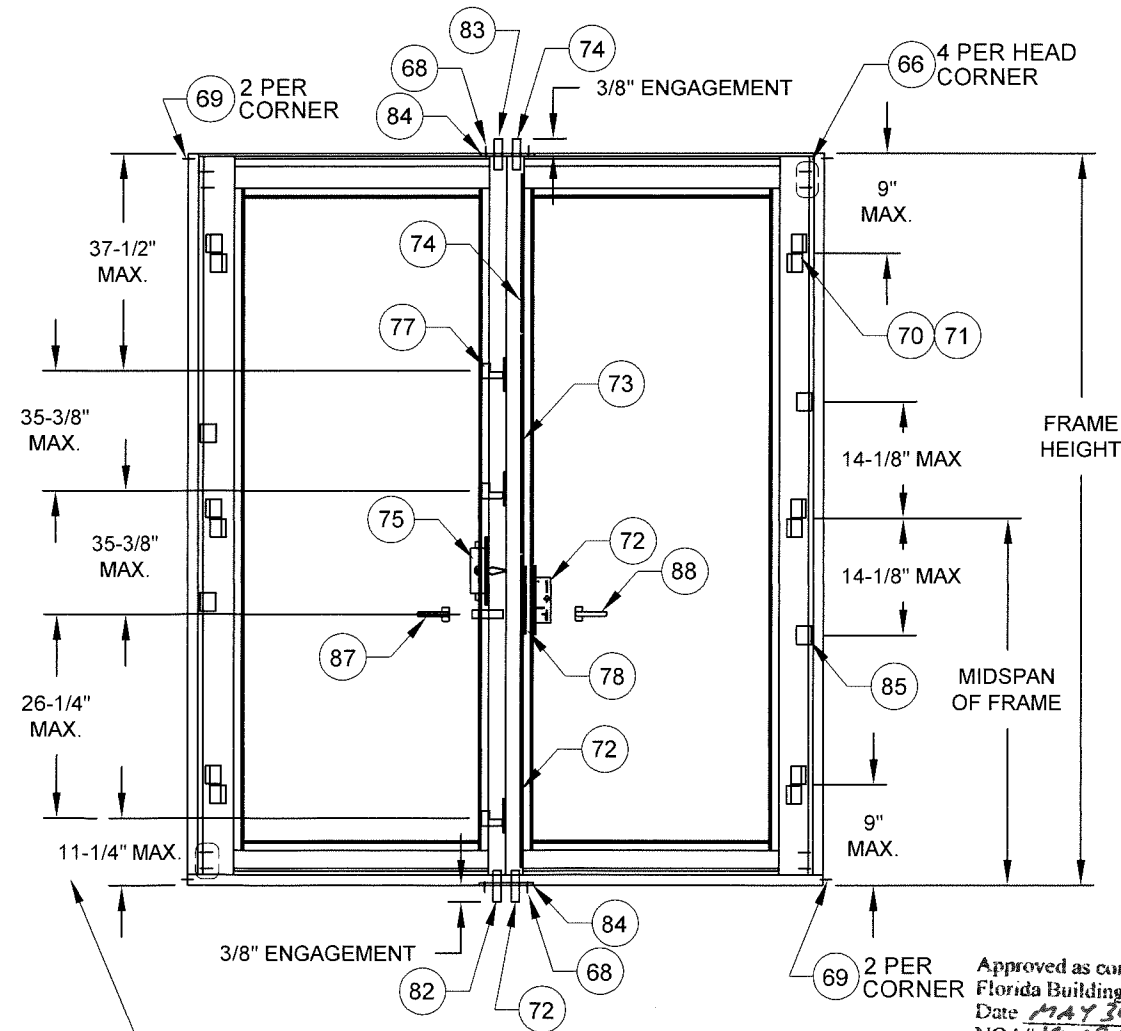


TABLE 11: HINGES AND LOCKING HARDWARE COMPONENTS AND SCHEDULE

#	Part #	Description	Manufacturer
70	H9050-XX-4637M	Flash XXL Door Hinge	Giesse
71	H9050-XX-0599M	Hinge Covers	Giesse
72	H9050-GEAR-1728	Bottom Extension with Gear, Lock, Lower Swing Hook & Shoot Bolt (3/8" Engagement into Head & Sill)	Hoppe
73	3622833	Middle Extension with 2 Swing Hooks	Hoppe
74	8778627	Top Extension with Shoot Bolt	Hoppe
75	H9050-FB-2267	Mortise Flushbolt, Inactive Panel	Hoppe
77	H9050-SH-2884	Hook Latch Strike Plate, SS	Seljan
78	H9050-LH-2902 H9050-RH-2905	LH/RH Latch & Deadbolt Strike Plate, SS	Seljan
79	H9050-RP-2913	Shoot Bolt reinforcing Plate, SS	Seljan
80	H9050-SPADA-3921	Shoot Bolt reinforcing Shim	Seljan
81	1900908	10mm Standard Rod Guides	Hoppe
82	8759551	10mm Lower Flush Bolt Rod	Hoppe
83	8786867	10mm Upper Flush Bolt Rod	Hoppe
84	H9050-SP-2948D	Twin Shoot Bolt Head & Sill Strike Plate, SS	Seljan
85	H9050-XX1445M	Snubber Driver	Advantage
86	905VP-20	Ramp Block	
87	Varies	False Handle & Trim Set	Varies
88	Varies	Handle & Trim Set with Lock Cylinder & Thumb Turn	Hoppe/Giesse
89	H9050-SP-275	Single Shoot Bolt Head & Sill Strike Plate, SS	Seljan



4 PER SILL CORNER FOR STD BOT. RAIL
7 PER SILL CORNER FOR HIGH BOT. RAIL

HARDWARE ELEVATION
DOUBLE (XX) DOOR SHOWN, SINGLE (X) DOOR SIMILAR

Approved as complying with the
Florida Building Code
Date MAY 30, 2019
NOA# 19-0205.02
Miami Dade Product Control

By Ashley L. Clark

Revision:

WINDOOR INCORPORATED 7500 AMSTERDAM DRIVE ORLANDO, FL 32832 (407) 481-8400	PREPARED BY A. LYNN MILLER 1070 TECHNOLOGY DRIVE N. VENICE, FL 34275 (941) 480-1600	CERT. OF AUTH. #29296 COPYRIGHT © 2019 WINDOOR, INC. ALL RIGHTS RESERVED	Date: 01/05/19 By: JENS ROSOWSKI	No. 9050-OS-NOA-1
	ALUM. OUTSWING TERRACE DOOR (LM)	MISC. PARTS & BOM	Sheet: 9 OF 9	Series: TD9050

ANTHONY LYNN MILLER
LICENSE
No. 58705
STATE OF FLORIDA
PROFESSIONAL ENGINEER
A. LYNN MILLER, P.E.
P.E.# 58705